
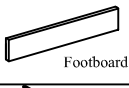

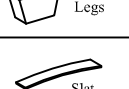


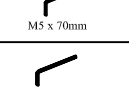
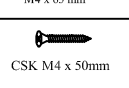


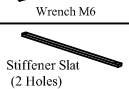

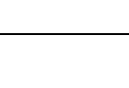

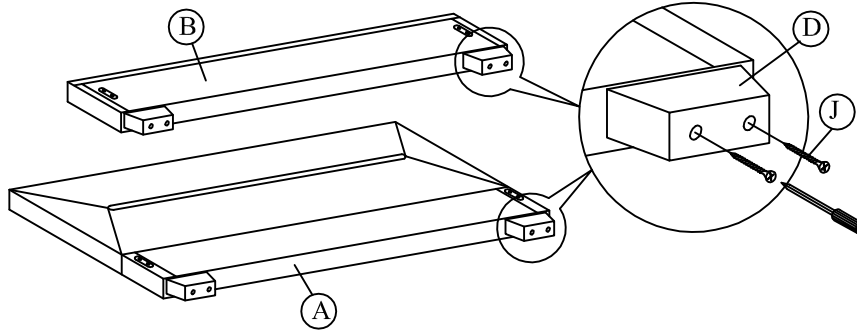


ASSEMBLY INSTRUCTION

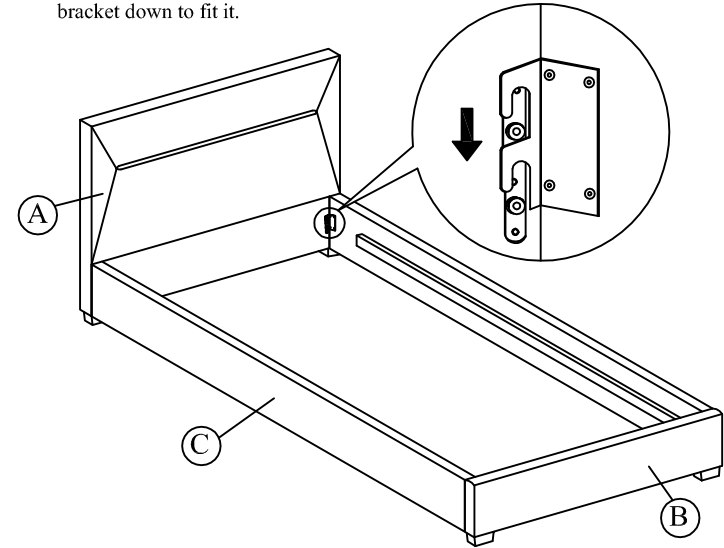
MODEL: SONNA CF 8599 (3')

A		1 pc
B		1 pc
C		2 pcs
D		4 pcs
E		14 pcs
F		28 pcs
G		4 pcs
H		1 pc
I		1 pc
J		8 pcs
K		8 pcs
L		4 pcs
M		1 pc
M		2 pcs

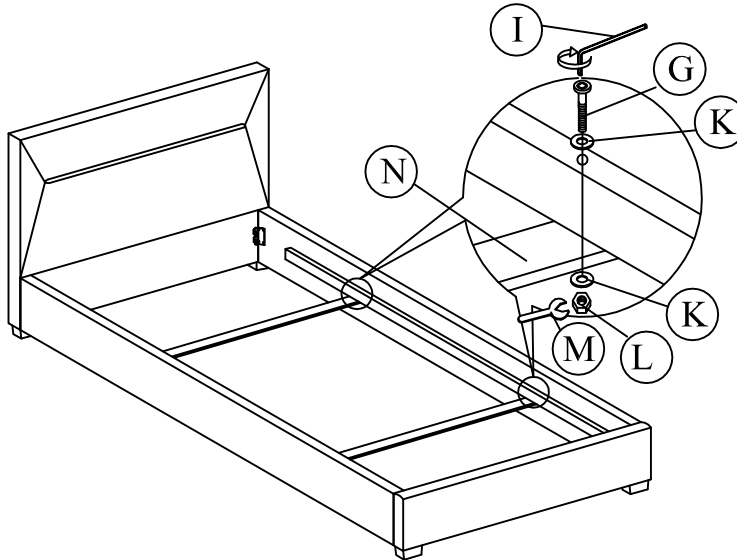
Step 1: Tighten the legs (D) to headboard (A) and footboard (B) as shown.



Step 2: Attach Side Rail (C) to Headboard (A) and Footboard (B) by pushing the bracket down to fit it.



Step 3: Affix the Stiffener Slat (N) to the center rail (E) and side rail support wood.



Step 6: Tighten all the 4 corner, follow by assembly of the slat holders with LVL slats as shown.

