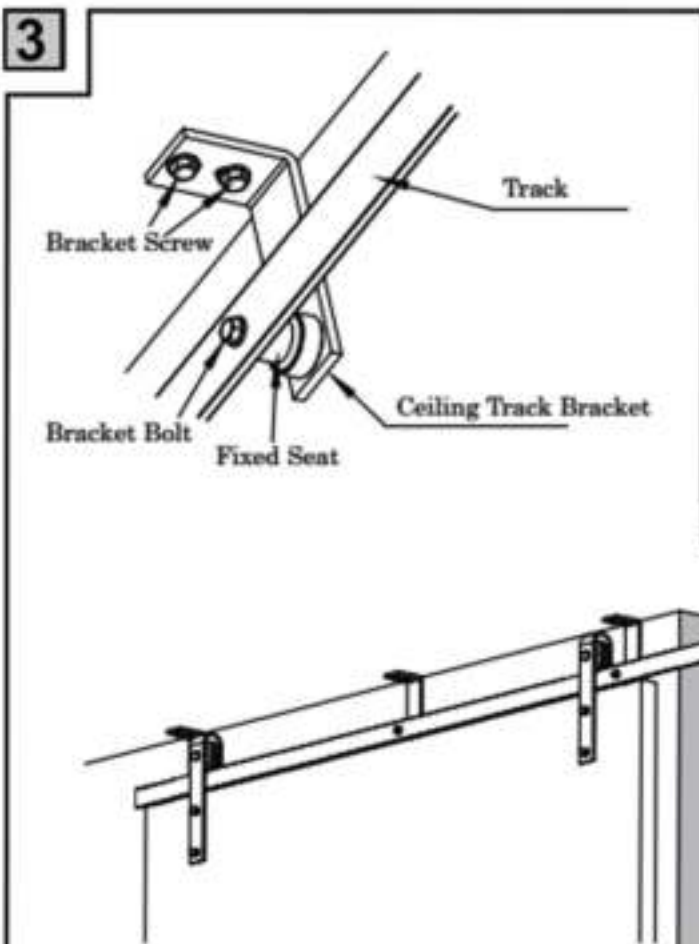
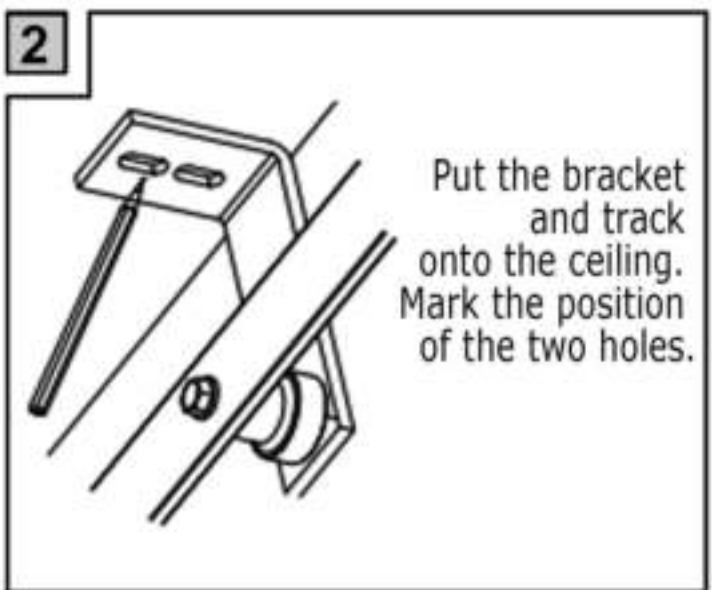
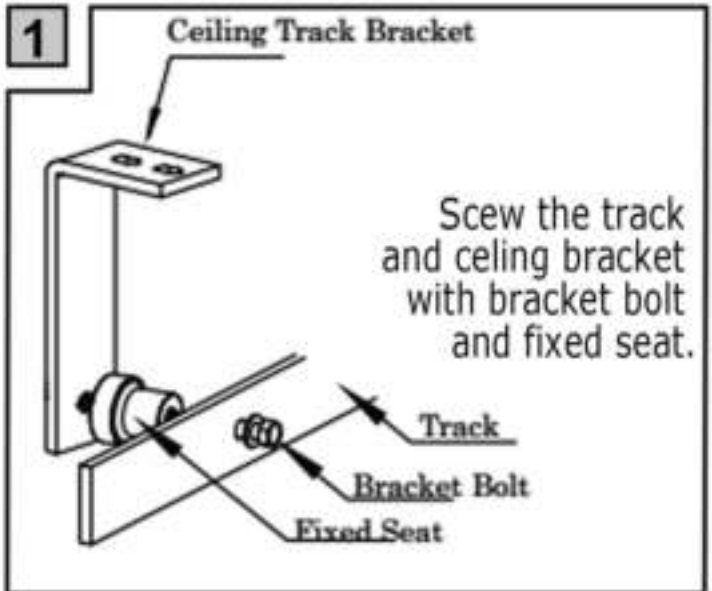
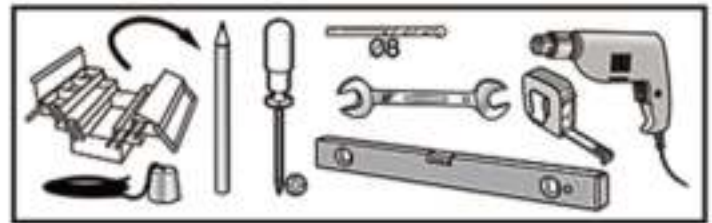
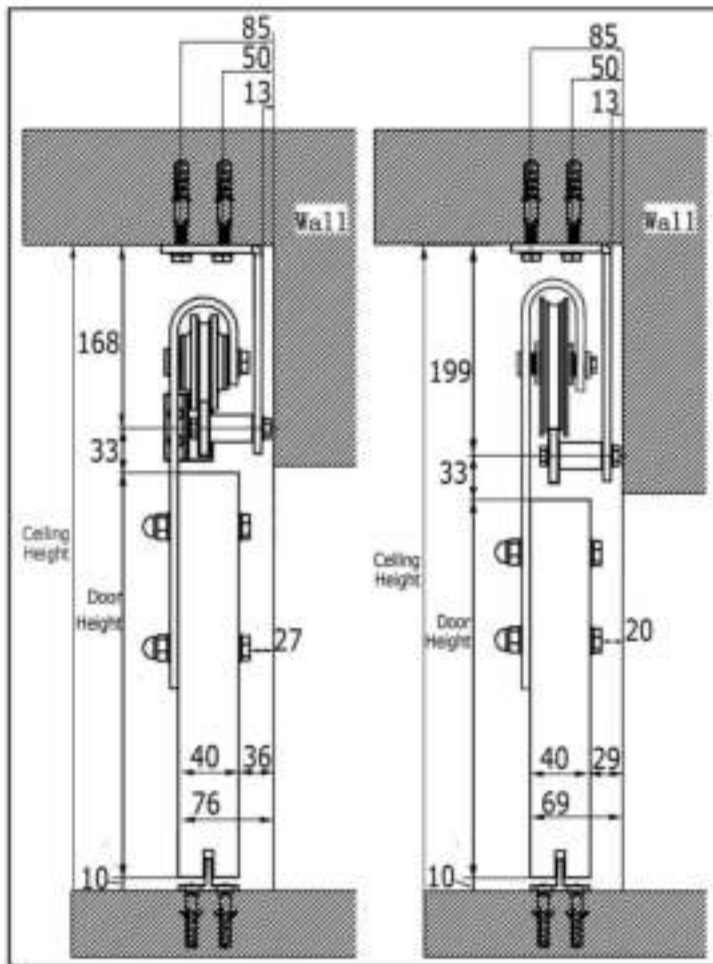


# Installation Manual



Drill holes on the marked position. Put expansion anchor into the holes. Mount the bracket onto the ceiling.

**NOTE: Don't tighten screw in hurry. Please tighten screws after all holes finished installation.**