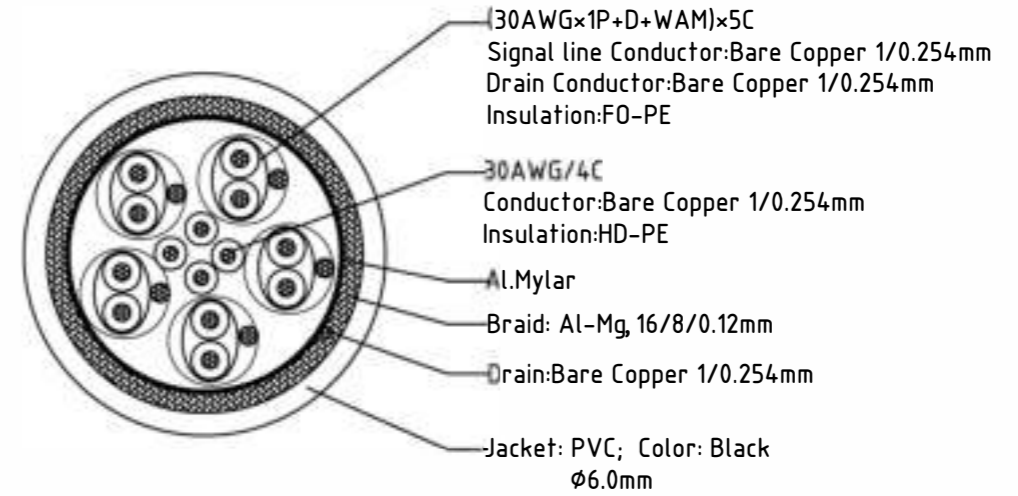
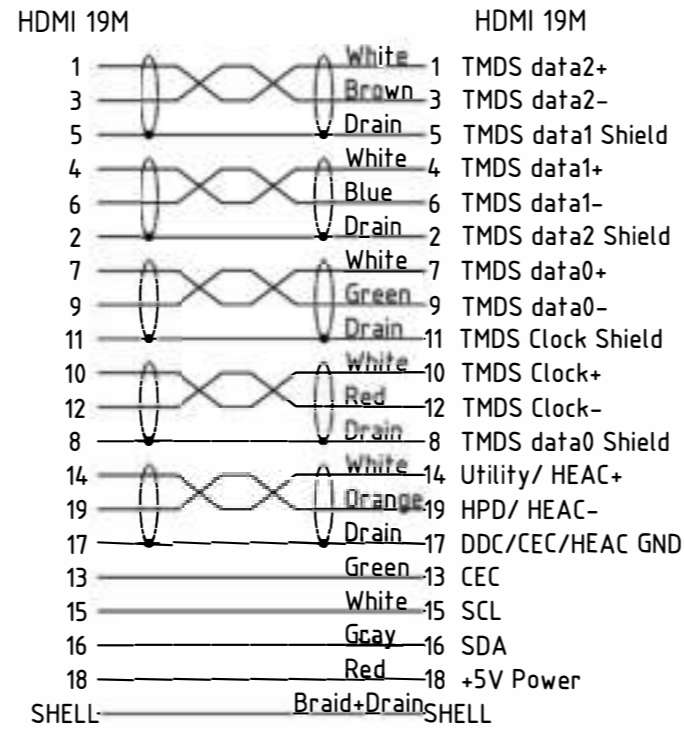


TABLE A

Length	Customer P/N
3ft [915±20mm]	AK3861
6ft [1830±30mm]	AK3862

PIN ASSIGNMENT



Electrical character:

- 100% Open/short/Intermittent testing
- Withstanding voltage: DC/AC 300V AT 10ms.
- Insulation resistance: 10M Ohm(min)
- Residual operating current:
 - a. <1.M=0.5mA; b. 1.0~2.0M=1.0mA;
 - c. 2.0~3.0M=2.0mA; d. 3.0~5.0M=3.0mA;
 - e. 5.0~10M=5.0mA; f. 10~15M=7.0mA;
- Conductive resistance: 5 Ohm(Max)

Function Test:

- Supports 4K×2K/60Hz
- Supports 18Gbps, HDR, YUV4:4:4, HDCP2.2

NO.	PART NAME	SPEC DESCRIPTION	PART P/N	REMARK
8	Pad-Print	Pad-print LOGO (White)		
7	Overmold	PVC, 45Pa, Black		
6	Copper Foil	Strong adhesive double-sided conductive copper 38U "(W50×L5MM) incision		
5	Tinplate	HDMI 19P/AM two piece tinplate (upper and lower)		
4	Innermold	LDPE endometrial material		
3	Wire Clip	20P/AM Automatic welding clamp type, 30AWG black PBT.		
2	Conn	HDMI A/M ,PIN Gold Plated, Shell/Steel Gold Plated, locking connector		
1	Cable	(30#BC/1P+D+WAM)/5C+30#BC/4C+A+D+B(16/8/0.12, Al-Mg)+PVC, Black, OD6.0mm		

Mould number:	Customer:	Customer P/N:	See TABLE A	Article No./ AK3861 - AK3862		
	Designed by:	Checked by:	Approved by	File number:	Date: 20/05/14	Scale: none Unit: mm
Packing file:			Name: Premium HDMI Cable with S Lock 30AWG			
			P/N:		Edition: 1.0	Sheet: