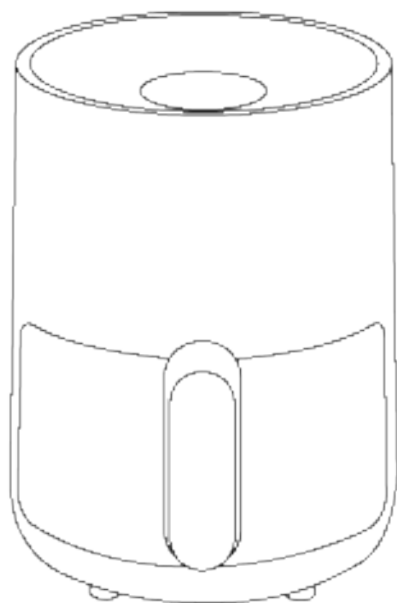


CREATE

FRYER AIR



OIL FREE FRYER FREIDORA SIN ACEITE

USER MANUAL

INDEX

ENGLISH

Security instructions	6
Before first use	7
Preparing the appliance	7
Parts list	7
Control panel	8
Operating instructions	8
Settings	9
Tips	10
Cleaning and maintenance	11
Troubleshooting	12

PORTUGUÊS

Instruções de segurança	20
Antes do primeiro uso	21
Preparar o electrodoméstico	21
Lista de peças	21
Panel de control	22
Instruções de uso	22
Ajuste	23
Conselhos	24
Limpeza e manutenção	25
Resolução de problemas	26

ESPAÑOL

Instrucciones de seguridad	13
Antes del primer uso	14
Preparar el electrodoméstico	14
Lista de partes	14
Panel de control	15
Instrucciones de uso	15
Ajustes	16
Consejos	17
Limpieza y mantenimiento	18
Resolución de problemas	19

FRANÇAIS

Instructions de sécurité	27
Avant la première utilisation	28
Préparer l'appareil	28
Liste des pièces	28
Panneau de contrôle	29
Mode d'emploi	29
Réglages	30
Conseils	31
Nettoyage et entretien	32
Résolution des problèmes	33

INDEX**ITALIANO**

Istruzioni di sicurezza	34
Prima dell'uso	35
Preparazione per l'uso	35
Lista Componenti	35
Display	36
Istruzioni per l'uso	36
Impostazioni	37
Suggerimenti	38
Pulizia e manutenzione	39
Soluzioni eventuali problemi	40

NEDERLANDS

Beveiligingsinstructies	48
Voor het eerste gebruik	49
Het apparaat voorbereiden	49
Onderdelen lijst	49
Controlepaneel	60
Handleiding	60
Instellingen	61
Tips	62
Schoonmaak en onderhoud	63
Probleemoplossing	64

DEUTSCH

Sicherheitshinweise	41
Vor dem ersten Gebrauch	42
Bereiten Sie das Gerät vor	42
Bestandteile	42
Schalttafel	43
Gebrauchsanweisung	43
Einstellungen	44
Tips	45
Reinigung und Wartung	46
Problemlösung	47

POLSKI

Instrukcja bezpieczeństwa	55
Przed pierwszym użyciem	56
Przygotowanie urządzenia	56
Lista części	56
Panel sterowniczy	57
Instrukcja obsługi	57
Ustawienia	58
Wskazówki	69
Czyszczenie i konserwacja	60
Rozwiązywanie problemów	61

ENGLISH

Thank you for choosing our air fryer. Before using the appliance, and to ensure the best use, carefully read these instructions.

The safety precautions enclosed herein reduce the risk of death, injury and electrical shock when correctly adhered to. Keep the manual in a safe place for future reference, along with the completed warranty card, purchase receipt and package. If applicable, pass these instructions on to the next owner of the appliance. Always follow basic safety precautions and accident prevention measures when using an electrical appliance. We assume no liability for customer failing to comply with these requirements.

SECURITY INSTRUCTIONS

When using any electrical appliance, basic safety precautions should always be observed.

- The unit may be used only for the intended purposes. The manufacturer will not be held responsible for damages resulting from improper use or faulty handling.
- Do not use outdoors or for commercial purposes. This appliance is intended for household use only. Using the appliance for commercial purposes will void the warranty.
- Always unplug the appliance before cleaning and when not in use.
- Children should be supervised to ensure that they do not play with the appliance.
- This appliance can be used by children and persons with reduced physical, sensory or mental capabilities or lack of experience and knowledge if they have been given supervision or instruction concerning use of the appliance in a safe way and understand the hazards involved.
- Never immerse the cord, plug or main body of the appliance in water or other liquids. Should the appliance fall into water, immediately unplug it from the mains and have the appliance checked by an expert before using it again. It may cause fire, electric shock, injury or death.
- Always put the ingredients that you wish to fry in the basket, to prevent it from coming into contact with the heating elements.
- Do not cover the air inlet and the air outlet while the appliance is operating.
- Do not fill the pan with oil as this may cause a fire hazard.
- Ensure that the voltage indicated on the Technical Specification matches the mains voltage before plugging in the appliance.
- Do not pick up or operate the appliance if the power supply cord or the plug are damaged, or if the unit is malfunctioning or has been dropped or damaged in any way. In case of damage, contact the aftersales service. A damaged cord or plug must be exclusively replaced by the manufacturer or a qualified person in order to avoid injuries.
- Do not let the cord hang over the edge of a table or bench top. Do not operate the appliance near hot surfaces, avoid proximity to open fires and all types of heat and sources of ignition.
- Do not plug in or operate the appliance with wet hands.
- Only connect the appliance to an earthed socket. Always make sure it's plugged in properly.
- Never connect this appliance to an external timer switch in order to avoid hazardous situations.
- When using this appliance, make sure there's enough room above and on all sides for air circulation (10cm). Do not operate the appliance if it's touching or if it's near curtains, clothing, towels or other flammable materials.
- While the appliance is air frying, hot steam is released through the air outlet openings. Keep your hands and face at a safe distance from the steam and from the air outlet openings. Also be careful of hot steam and air when you remove the pan from the appliance.
- The accessible surfaces may become hot during use.
- If you see dark smoke coming out of the appliance, unplug it immediately. Wait for the

- smoke to stop coming out before you remove the pan from the appliance.
- The baking tray gets hot when it is used in the air fryer. Always use oven mitts when handling the baking tray.
- Place the air fryer on a hard, flat, level, heat-resistant surface. Do not place it on a soft surface such as a carpet. Avoid placing it where it may tip over during operation.
- There are no user-serviceable parts inside. Do not attempt to disassemble or repair this product. Please contact our aftersales service.
- Let the appliance cool down for approx. 30 minutes before you move it or clean it.
- Make sure the ingredients prepared in this appliance come out golden-yellow instead of dark or brown. Remove any burnt food. Do not fry fresh potatoes at a temperature above 200° (to minimise the production of acrylamide).

BEFORE FIRST USE

Remove all packaging materials and any stickers or labels from the appliance.

Thoroughly clean the basket and pan with hot water, some washing-up liquid and a non-abrasive sponge.

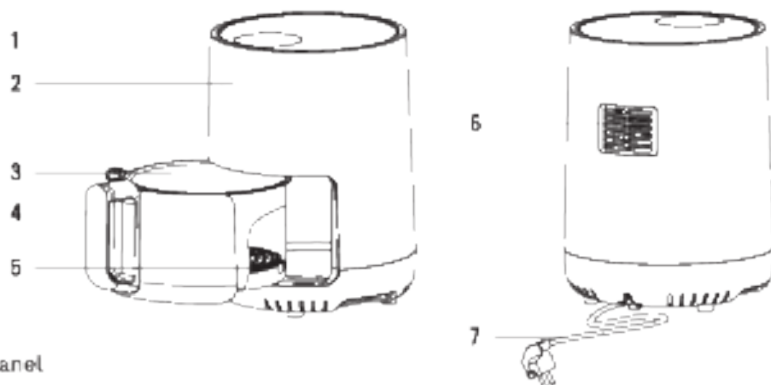
Wipe the inside and outside of the appliance with a damp cloth.

This is an air fryer that works on hot air. Do not fill the pan with oil or frying fat.

PREPARING THE APPLIANCE

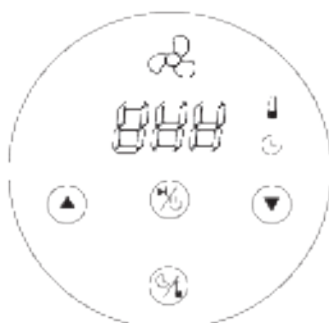
- Place the air fryer on a hard, flat, level heat-resistant surface.
- Place the basket in the pan properly.
- Pull the cord out of the cord storage compartment on the bottom of the appliance.
- Do not fill the pan with oil or any other liquid.
- Do not cover the appliance as it disrupts the airflow and affects the hot air frying result

PARTS LIST



- Control panel
- Housing
- Basket
- Basket handle
- Tray
- Air outlet
- Power cord

CONTROL PANEL



Power Button

Once the pan and the frying basket are properly placed in the main unit, the Power Button will light up. Press and hold the power button for 2 seconds to set (by default) the temperature to 180 °C and the cooking time to 15 minutes. Press it again to start the cooking process. Press and hold the power button for 2 seconds to stop the appliance during operation. All the lights will turn off and the fan will stop working.

Note: While the appliance is working, you can use the button to pause and start the appliance. The button will blink while in pause and after a few seconds the fan will stop working. Short press again to restart the appliance and the light of the button will be fixed.

Temperature/timer button

Press this button to enter temperature and timer configuration. Use the arrows to set your desired time and temperature.

Control buttons

You can use the arrows to set the time and temperature.

The temperature range is 80 °C to 200 °C.

The time range is 0 minutes to 60 minutes.

Temperature indicator

Timer indicator

Fan Indicator

OPERATING INSTRUCTIONS

1. Plug in the appliance.



2. Carefully pull the pan out of the fryer.



3. Put the ingredients in the basket.



- Slide the pan back into the hot-air fryer carefully aligning it with the guides in the body of the fryer.
- Determine the required preparation time for the ingredients (refer to the 'Settings' section).

Never use the pan without the basket in it.

Caution: Do not touch the pan during and straight after use, as it gets very hot. Only hold the pan by the handle.

- Set your desired time and temperature.
 - Some ingredients require stirring halfway through the preparation process (refer to the 'Settings' section). To stir the ingredients, pull the pan out of the appliance by the handle and give it a gentle shake. Then slide the pan back into the fryer.
 - When you hear the buzzer alarm beep it means the set preparation time has run out. At this point, the fan will stop working and you can pull the pan out of the appliance and place it on a heat-resistant surface.
 - Check if the ingredients are ready.
 - If the ingredients are not ready yet, simply slide the pan back into the appliance and set the timer to a few extra minutes.
 - To remove the food (e.g. chips), pull the pan out of the Hot-air fryer and place it on a heat-resistant surface.
 - Do not turn the basket upside down with the pan still attached to it, as any excess oil that may have collected on the bottom of the pan will leak onto the ingredients.
 - The pan and the ingredients are hot. Depending on the type of food in the fryer, steam may escape from the pan.
 - Empty the basket into a bowl or onto a plate.
- Tip:** To remove large or fragile ingredients, lift the ingredients out of the basket using a pair of tongs.
- When a batch of ingredients is cooked, the air fryer is instantly ready for preparing another batch.

SETTINGS

The following table will help you select the basic settings for the different types of ingredients.

Note: Keep in mind that these settings are illustrative. Ingredients with different shapes and sizes will require different time and temperature settings.

Since the Quick-Air technology instantly reheats the air inside the appliance, briefly pulling the pan out of the appliance during operation will barely disturb the process.

TIPS

- Smaller ingredients usually require a slightly shorter preparation time than larger ingredients. As well as larger amounts of food require a slightly longer preparation time than smaller amounts of food.
- Giving smaller ingredients a gentle shake halfway through the preparation optimizes the end result and can help prevent unevenly fried food.
- Lightly coat your fresh potatoes on some oil before frying them for a crispier result.
- Do not prepare extremely greasy ingredients, such as sausages, in the hot-air fryer.
- Snacks that can be prepared in an oven can also be prepared in the hot air fryer.
- The optimal amount for preparing crispy chips is 300 grams.
- Store-bought dough requires a shorter preparation time than home-made dough.
- You can place silicone muffin cups and silicone liners inside of the appliance if you wish to bake a cake, a quiche, cupcakes or delicate and filled ingredients.
- You can also use the hot air fryer to reheat food. Just set the temperature to 150 °C for up to 10 minutes.

	AMOUNT (G)	TIME (MIN.)	TEMP. (°C)	SHAKE	EXTRA INFO.
POTATO & CHIPS					
Thin frozen chips	200-300	18-20	200	Yes	
Thick frozen chips	200-300	20-25	200	Yes	
Potato gratin	300	20-25	200	Yes	
MEAT & POULTRY					
Steak	100-300	10-15	180		
Pork chops	100-300	10-15	180		
Hamburger	100-300	10-15	180		
Sausage roll	100-300	13-15	200		
Drumsticks	100-300	25-30	180		
Chicken breast	100-300	15-20	180		
SNACKS					
Spring rolls	100-250	8-10	200	Yes	Use oven-ready
Frozen chicken nuggets	100-300	6-10	200	Yes	Use oven-ready
Frozen fish fingers	100-250	6-10	200		Use oven-ready
Frozen bread crumbed cheese snacks	100-250	8-10	180		Use oven-ready
Stuffed vegetables	100-250	10	160		

	AMOUNT (G)	TIME (MIN.)	TEMP. (°C)	SHAKE	EXTRA INFO.
BAKING					
Cake	250	20-25	160		Use baking tin
Quiche	300	20-22	160		Use baking tin
Muffins	250	16-18	200		Use baking tin
Sweet snacks	250	20	160		Use baking tin

Note: If you haven't preheated your air fryer, add 3 minutes to the preparation time to allow your appliance to heat up.

CLEANING AND MAINTENANCE

Clean the appliance after every use.

The pan, baking tray, separator, basket and the inside of the appliance have a non-stick coating. Do not use metal kitchen utensils or abrasive cleaning materials to clean them, as this may damage the non-stick coating.

1. Unplug the appliance and let it cool down.

Note: Remove the pan to let the air fryer cool down quicker.

2. Wipe the outside of the appliance with a damp cloth.

3. Clean the pan, baking tray, separator and basket with hot water, some washing-up liquid and a non-abrasive sponge.

You can use a grease remover liquid to get rid of any remaining residues.

Note: The pan, baking tray, separator and basket are dishwasher-safe.

Tip: If there is food stuck to the basket, the baking tray, or the bottom of the pan, fill the pan with hot water with some washing-up liquid. Put the basket in the pan and let them soak for approximately 10 minutes.

4. Clean the heating element with a cleaning brush to remove any food residues.

Unplug your air fryer and make sure all parts are clean and dry before storing the appliance.

TROUBLESHOOTING

PROBLEM	CAUSE	SOLUTION
The hot air fryer does not work.	The appliance is not plugged in.	Plug the appliance to an earthed socket.
	You have not set the timer.	To turn on the appliance, use the timer control button and the arrows to set the required preparation time.
The ingredients are not done.	There is too much food in the basket.	Remove some food. Smaller batches fry more evenly.
	The set temperature is too low.	Program the temperature to a higher setting.
The ingredients are fried unevenly.	The preparation time is too short.	Set more time to allow the food to cook completely.
	Certain types of ingredients need to be stirred halfway through the preparation time.	Remove the pan from the main body and give it a gentle shake halfway through the preparation process.
Fried snacks are not crispy.	The snacks were meant for a traditional deep fryer.	Use oven snacks or lightly coat the ingredients in some oil for a crispier result.
The pan does not fit into the appliance properly.	Too much food in the basket.	Remove some food. Smaller batches fry more evenly.
	The basket is not placed correctly.	Push the basket down into the pan until it clicks.
White smoke comes out of the appliance.	You are preparing greasy ingredients.	When you fry greasy ingredients in the air fryer, a large amount of oil will leak into the pan and it produces white smoke. The pan may heat up more than usual. This does not affect the performance or the end result.
	There's grease from a previous use.	Make sure you clean the pan properly after each use.
Fresh chips are fried unevenly.	You didn't rinse the chips properly before frying them.	Rinse the chips properly to remove all the starch from the outside.
Fresh chips are not crispy when they come out of the air fryer.	The crispiness of the fries depends on the amount of oil and water in the fries.	Cut the potato smaller and add slightly more oil for a crispier result.



In compliance with Directives 2012/19/EU and 2015/859/EU on the restriction of the use of dangerous substances in electric and electronic equipment as well as their waste disposal. The symbol with the crossed wheeled bin on the package indicates that the product at the end of its service life should be collected as separate waste. Therefore, any products that have reached the end of their useful life must be given to waste disposal centres specialising in separate collection of waste electrical and electronic equipment, or given back to the retailer at the time of purchasing new similar equipment, on a one-for-one basis. The adequate separate collection for the subsequent start-up of the equipment aims to be recycled, treated and disposed of in an environmentally compatible way contributes to preventing possible negative effects on the environment and health and optimises the recycling and reuse of components making up the appliance. Absent disposal of the product by the user involves application of the administrative sanctions according to the laws.

Gracias por elegir nuestra freidora sin aceite. Antes de utilizar este electrodoméstico y para asegurar su mejor uso, por favor, lea detenidamente las instrucciones.

Las medidas de seguridad aquí indicadas reducen el riesgo de incendio, descarga eléctrica y lesiones cuando se siguen correctamente. Guarde el manual en un lugar seguro para futuras referencias, así como la garantía, el recibo de compra y la caja. Si procede, entregue estas instrucciones al futuro propietario del electrodoméstico. Siempre siga las instrucciones básicas de seguridad y las medidas de prevención de riesgos cuando utilice un electrodoméstico eléctrico. El fabricante no se responsabilizará de ningún daño derivado del incumplimiento de estas instrucciones por parte del usuario.

INSTRUCCIONES DE SEGURIDAD

Al utilizar cualquier aparato eléctrico, deben observarse siempre las siguientes precauciones básicas de seguridad.

- El electrodoméstico sólo puede utilizarse para los fines previstos. El fabricante no se responsabilizará de los daños que resulten de un uso inapropiado o de una manipulación incorrecta.
- No lo use al aire libre ni con fines comerciales. Este electrodoméstico está destinado exclusivamente para uso doméstico. Si se utiliza con fines comerciales, la garantía quedará anulada.
- Siempre desconecte el aparato antes de limpiarlo y cuando no lo esté utilizando.
- Los niños deben ser supervisados para asegurarse de que no juegan con el aparato.
- Este aparato puede ser utilizado por niños y personas con capacidades físicas, sensoriales o mentales reducidas o con falta de experiencia y conocimientos si han sido supervisados o instruidos en el uso del aparato de una manera segura y comprenden los peligros que conlleva.
- Nunca sumerja el cable, el enchufe o el cuerpo principal del electrodoméstico en agua u otros líquidos. En caso de que el aparato caiga en agua, desenchúfelo inmediatamente de la red eléctrica y pídale a un experto que lo revise antes de volver a utilizarlo. Puede provocar incendios, descargas eléctricas, lesiones o la muerte.
- Ponga siempre los ingredientes en la cesta para evitar que entren en contacto con los elementos calefactores.
- No cubra ni la entrada ni la salida de aire mientras el aparato esté en funcionamiento.
- No llene el recipiente con aceite, ya que esto podría causar un riesgo de incendio.
- Asegúrese de que el voltaje y la frecuencia del circuito corresponden a los indicados en la etiqueta de clasificación del aparato.
- No levante ni opere el electrodoméstico si el cable de alimentación o el enchufe están dañados, o si el aparato está funcionando mal o se ha caído o dañado de alguna manera. En caso de daños, póngase en contacto con el servicio postventa. Un cable o enchufe dañado debe ser sustituido exclusivamente por el fabricante o por una persona cualificada para evitar lesiones.
- No deje que el cable cuelgue sobre el borde de una mesa o encimera. No opere el electrodoméstico cerca de superficies calientes, evite la proximidad a fuegos abiertos y todo tipo de calor y fuentes de ignición.
- No enchufe ni opere el aparato con las manos mojadas.
- Enchufe el aparato a un enchufe con toma tierra y asegúrese de que está bien conectado.
- Nunca conecte este electrodoméstico a un temporizador externo para evitar situaciones peligrosas.
- Cuando utilice este aparato, asegúrese de que haya suficiente espacio por encima y por todos los lados para la circulación del aire (10cm). No opere el aparato si está en contacto o si está cerca de cortinas, ropa, toallas u otros materiales inflamables.
- Mientras el aparato esté en funcionamiento, se libera vapor caliente a través de las aberturas de salida de aire. Mantenga las manos y la cara a una distancia prudencial del vapor y de las aberturas de salida de aire. También tenga cuidado con el vapor y el aire caliente cuando retire la bandeja del aparato.

- Las superficies accesibles pueden calentarse durante el uso.
- Si ve salir humo oscuro del aparato, desenchúfelo inmediatamente y espere a que deje de salir antes de retirar la bandeja.
- La bandeja se calienta cuando se utiliza en la freidora de aire. Utilice guantes siempre que la toque.
- Coloque la freidora de aire sobre una superficie firme, plana, nivelada y resistente al calor. No lo coloque sobre una superficie blanda como una alfombra. Evite colocarla en un lugar donde pueda volcarse durante la operación.
- En el interior no hay piezas que puedan ser reparadas por el usuario. No intente desmontar o reparar este producto. Póngase en contacto con nuestro servicio postventa.
- Deje que el aparato se enfríe durante unos 30 minutos antes de moverlo o limpiarlo.
- Asegúrese de que los ingredientes salgan de color amarillo dorado en lugar de oscuro o marrón. Retire cualquier alimento quemado. No fría patatas frescas a una temperatura superior a 200 °C (para minimizar la producción de acrilamida).

ANTES DEL PRIMER USO

Retire todo el embalaje y todas las pegatinas o etiquetas del aparato.

Limpie a fondo la cesta y la sartén con agua caliente, un poco de detergente y una esponja no abrasiva.

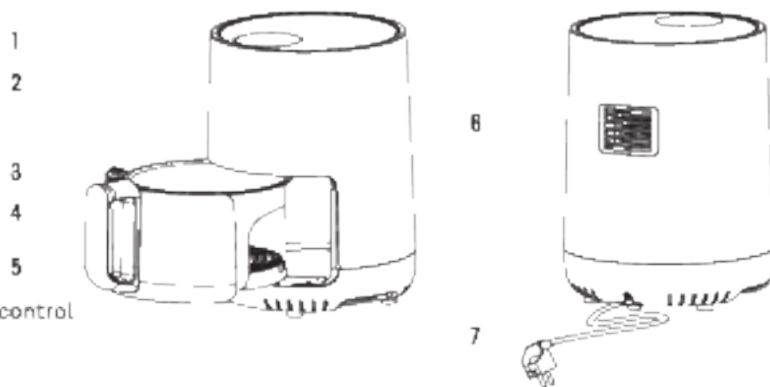
Limpie el interior y el exterior del aparato con un paño húmedo.

Esta es una freidora de aire que funciona con aire caliente. No llene la sartén con aceite o grasa para freír.

PREPARAR EL ELECTRODOMÉSTICO

1. Coloque la freidora de aire sobre una superficie dura, plana, nivelada y resistente al calor.
2. Coloque la cesta en la sartén correctamente.
3. Extraiga el cable del compartimento del cable situado en la parte inferior del aparato.
4. No llene el recipiente con aceite ni con ningún otro líquido.
5. No cubra el aparato, ya que interrumpe el flujo de aire y afecta al resultado de la cocción.

LISTA DE PARTES



1. Panel de control
2. Carcasa
3. Cesta
4. Asa de la cesta
5. Bandeja
6. Salida de aire
7. Cable de alimentación

PANEL DE CONTROL



Botón de encendido

Una vez que la sartén y la cesta de freír estén correctamente colocadas en el cuerpo de la freidora, el botón de encendido se iluminará. Mantenga pulsado el botón de encendido durante 2 segundos para ajustar por defecto la temperatura a 180° y el tiempo de cocción a 15 minutos. Púlselo de nuevo para iniciar el proceso de cocción. Presione y mantenga presionado el botón de encendido durante 2 segundos para detener el aparato durante su funcionamiento. Todas las luces se apagarán y el ventilador se detendrá.

Nota: Mientras el aparato esté en funcionamiento, puede utilizar el botón para pausar e iniciar el funcionamiento. La luz del botón parpadeará mientras esté en pausa y el ventilador se apagará unos segundos después. Vuelva a pulsar el botón para continuar con el cocinado y la luz del botón permanecerá encendida de manera fija.

Botón de temperatura/temporizador

Presione este botón para entrar en la configuración de la temperatura y el temporizador. Utilice las flechas para configurarlo.

Botones de control

Puede utilizar las flechas para ajustar el tiempo y la temperatura.

El rango de temperatura es de 80 °C a 200 °C.

El rango de tiempo es de 0 minutos a 60 minutos.

Indicador de temperatura

Indicador del temporizador

Indicador del ventilador

INSTRUCCIONES DE USO

1. Enchufe la freidora.



2. Saque con cuidado la cesta de la freidora.



3. Ponga los ingredientes en la cesta.



4. Deslice la sartén de nuevo en la freidora alineándola cuidadosamente con las guías en el cuerpo de la freidora.

5. Determine el tiempo de preparación necesario para los ingredientes (consulte la sección 'Ajustes').

Nunca use la sartén sin la cesta dentro.

Precaución: No toque la sartén durante o inmediatamente después de usarla, ya que se calienta mucho. Sujete la sartén sólo por el mango.

6. Configure la temperatura y el temporizador.

7. Algunos ingredientes deben removerse a mitad del proceso de preparación (consulte la sección 'Ajustes'). Para remover los ingredientes, saque la sartén de la freidora por el mango y agítela cuidadosamente. Luego deslice la sartén de nuevo en la freidora.

8. Cuando oiga el pitido de la alarma, el tiempo de preparación programado se habrá agotado y el ventilador se detendrá. Saque la sartén del aparato y colóquela sobre una superficie resistente al calor.

9. Compruebe si los ingredientes están listos.

Si los ingredientes aún no están listos, simplemente vuelva a colocar la sartén en el aparato y ajuste el temporizador a unos minutos más.

10. Para retirar los alimentos (por ejemplo, patatas fritas), saque la sartén de la freidora de aire caliente y colóquela sobre una superficie resistente al calor.

No ponga la cesta boca abajo con la sartén todavía conectada a ella, ya que cualquier exceso de aceite que pueda haberse acumulado en el fondo de la sartén se filtrará a los ingredientes.

La sartén y los ingredientes están calientes. Dependiendo del tipo de comida en la freidora, puede salir vapor de la sartén.

11. Vacíe la cesta en un recipiente o en un plato.

Consejo: Para quitar los ingredientes más grandes o delicados, sáquelos de la cesta con unas pinzas.

12. Cuando una porción de comida esté lista, la freidora de aire estará lista instantáneamente para preparar otra porción.

AJUSTES

Esta tabla a continuación le ayudará a elegir los ajustes básicos para los diferentes tipos de ingredientes.

Nota: Tenga en cuenta que estos ajustes son orientativos. Ingredientes con diferentes formas y tamaños requerirán diferentes ajustes de tiempo y temperatura.

Dado que la tecnología Quick Air recalienta instantáneamente el aire del interior del aparato, el hecho de retirar brevemente la sartén del aparato durante su funcionamiento apenas alterará el proceso.

CONSEJOS

- Los ingredientes más pequeños suelen requerir un tiempo de preparación ligeramente más corto que ingredientes más grandes. Al igual que grandes cantidades de alimentos, requieren un tiempo de preparación ligeramente más largo que cantidades de alimentos más pequeñas.
- Para optimizar el resultado final y ayudar a que la comida se cocine uniformemente, agite cuidadosamente la sartén a mitad del proceso de preparación.
- Cubra ligeramente las patatas frescas con un poco de aceite antes de freirlas para obtener un resultado más crujiente.
- No prepare ingredientes extremadamente grasientos, como salchichas, en la freidora de aire caliente.
- Los aperitivos que se pueden preparar en el horno también se pueden preparar en la freidora de aire caliente.
- La cantidad óptima para preparar patatas fritas crujientes es de 300 gramos.
- La masa que se compra en el supermercado requiere un tiempo de preparación más corto que la hecha en casa.
- Si desea hornear un pastel, un quiche, magdalenas o ingredientes delicados y rellenos, puede colocar moldes de silicona para magdalenas y esteras de silicona en el interior del aparato.
- También puede usar la freidora de aire caliente para recalentar la comida. Basta con ajustar la temperatura a 150 °C durante 10 minutos.

	CANT. (G)	TIEMPO (MIN.)	TEMP. (°C)	AGITAR	INFO. EXTRA
PATATAS & PATATAS FRITAS					
Patatas fritas cong. finas	200-300	8-20	200	SI	
Patatas fritas cong. finas	200-300	20-25	200	SI	
Gratin de patata	300	20-25	200	SI	
CARNES Y AVES					
Filetes	100-300	10-15	180		
Chuletas de cerdo	100-300	10-15	180		
Hamburguesa	100-300	10-15	180		
Longanizas	100-300	13-15	200		
Muslitos de pollo	100-300	25-30	180		
Pechuga de pollo	100-300	15-20	180		
APERITIVOS					
Rollitos de primavera	100-250	8-10	200	SI	Usar aptos para horno
Nuggets de pollo congelados	100-300	6-10	200	SI	Usar aptos para horno

	CANT. (G)	TIEMPO (MIN.)	TEMP. (°C)	AGITAR	INFO. EXTRA
Palitos de pescado congelados	100-250	8-10	200		Usar aptos para horno
Aperitivos de queso empanado congelados	100-250	8-10	180		Usar aptos para horno
Verduras rellenas	100-250	10	180		

HORNEADO

Tarta	250	20-25	180		Usar molde de horno
Quiche	300	20-22	180		Usar molde de horno
Magdalenas	250	15-18	200		Usar molde de horno
Aperitivos dulces	250	20	180		Usar molde de horno

Nota: Si no ha precalentado su freidora de aire, agregue 3 minutos al tiempo de preparación para permitir que su aparato se caliente.

LIMPIEZA Y MANTENIMIENTO

Limpie el aparato después de cada uso.

La sartén, la bandeja, el separador, la cesta y el interior del aparato tienen una capa antiadherente. No utilice utensilios de cocina metálicos ni materiales de limpieza abrasivos para limpiarlos, ya que esto podría dañar el revestimiento antiadherente.

1. Desenchufe el aparato y deje que se enfríe.

Nota: Retire la sartén para que la freidora de aire se enfríe más rápido.

2. Limpie la parte exterior del aparato con un paño húmedo.

3. Limpie la sartén, la bandeja, el separador y la cesta con agua caliente, un poco de detergente y una esponja no abrasiva. Puede utilizar un líquido desengrasante para eliminar los residuos restantes.

Nota: La sartén, la bandeja, el separador y la cesta son aptos para el lavavajillas.

Consejo: Si hay comida pegada a la cesta, a la bandeja o al fondo de la sartén, llene la sartén con agua caliente y un poco de detergente. Ponga la cesta en la sartén y déjela en remojo durante unos 10 minutos.

4. Limpie el elemento calefactor con un cepillo de limpieza para eliminar cualquier residuo de comida.

Desenchufe su freidora de aire y asegúrese de que todas las piezas estén limpias y secas antes de guardar el aparato.

RESOLUCIÓN DE PROBLEMAS

PROBLEMA	CAUSA	SOLUCIÓN
La freidora de aire caliente no funciona.	El aparato no está enchufado. No ha ajustado el temporizador.	Enchúfelo un enchufe con toma de tierra. Para encender el aparato, utilice el botón del temporizador para programar el tiempo.
Los ingredientes no están cocinados.	Hay demasiada comida en la cesta. La temperatura programada es demasiado baja. Tiempo de prep. demasiado corto.	Quite algo de comida. Las tandas más pequeñas se frien más uniformemente. Seleccione la temperatura deseada (vea la sección "Ajustes"). Añada más tiempo de preparación.
Los ingredientes no se frien uniformemente	Algunos tipos de ingredientes necesitan ser removidos a mitad del proceso de preparación.	Retire la sartén del cuerpo principal y agítela cuidadosamente a mitad del proceso de preparación.
La comida no sale crujiente.	La comida era específica para una freidora tradicional.	Utilice aperitivos para hornear o cubra ligeramente los ingredientes con un poco de aceite para obtener un resultado más crujiente.
La sartén no encaja correctamente en el aparato.	Hay demasiada comida en la bandeja. La cesta no está colocada correctamente en la sartén.	Quite algo de comida. Las tandas más pequeñas se frien más uniformemente. Empuje la cesta hacia abajo en la bandeja hasta que oiga un clic.
Sale humo blanco del aparato.	Está preparando ingredientes grasientos.	Quando fríe ingredientes grasientos en la freidora de aire, una gran cantidad de aceite se derramará en la sartén. El aceite produce humo blanco y la sartén puede calentarse más de lo normal. Esto no afecta al rendimiento ni al resultado final.
Las patatas fritas frescas no se frien uniformemente.	La sartén aún contiene residuos de grasa de un uso anterior.	El humo blanco es causado por el calentamiento de la grasa en la cesta. Asegúrese de limpiar bien la cesta después de cada uso.
Las patatas fritas frescas no se frien uniformemente.	No lavó bien las patatas antes de freirlas.	Enjuague bien las patatas para eliminar todo el almidón del exterior.
Las patatas fritas frescas no están crujientes cuando salen de la freidora de aire.	La textura crujiente de las patatas fritas depende de la cantidad de aceite y agua que contengan.	Corte las patatas en salitos más pequeños para obtener un resultado más crujiente. Agregue un poco más de aceite para obtener un resultado más crujiente.

En cumplimiento de los directivos 2002/95 / UE y 2002/96 / UE sobre la restricción del uso de sustancias peligrosas en equipos eléctricos y electrónicos, así como su eliminación de residuos. El símbolo con el dibujo de basura cruzado que se muestra en el paquete indica que el producto al final de su vida útil se recogerá como residuo separado. Por lo tanto, cualquier producto que haya llegado al final de su vida útil debe entregarse a centros de eliminación de residuos especializados en la recogida selectiva de equipos electrónicos y electrónicos de desecho, o devolverse al minorista al momento de comprar equipos nuevos similares, en uno para una base. La recolección separada adecuada para el posterior puesta en marcha de los equipos enviados para ser reciclados, tratados y eliminados de una manera compatible con el medio ambiente contribuya a prevenir posibles efectos negativos sobre el medio ambiente y la salud y optimizar el reciclaje y la reutilización de los componentes que componen el aparato. La eliminación adecuada del producto por parte del usuario implica la aplicación de las sanciones administrativas de acuerdo con las leyes.



PORTUGUÊS

Obrigado por escolher a nossa fritadeira sem óleo. Antes de utilizar este electrodoméstico e para assegurar o seu melhor uso, por favor, leia atentamente as instruções.

As medidas de segurança aqui indicadas reduzem o risco de incêndio, descarga eléctrica e lesões quando cumpridas correctamente. Guarde o manual num lugar seguro para futuras consultas, assim como a garantia, o recibo de compra e a caixa. E, se for o caso entregue estas instruções ao futuro proleatário do electrodoméstico. Cumpra sempre as instruções básicas de segurança e as medidas de prevenção de riscos quando utilize um electrodoméstico eléctrico. O fabricante não se responsabilizará de nenhum dano derivado do incumprimento destas instruções por parte do usuário.

INSTRUÇÕES DE SEGURANÇA

Ao utilizar qualquer aparelho eléctrico, devem tomar sempre as seguintes precauções básicas de segurança.

- O electrodoméstico só pode ser utilizado para os fins a que se destina. O fabricante não se responsabilizará dos danos resultantes do uso inapropriado ou de uma manipulação incorrecta.
- Não o use ao ar livre nem com fins comerciais. Este electrodoméstico está destinado exclusivamente para uso doméstico. A utilização com fins comerciais, anula a garantia.
- Desligue sempre o aparelho antes de limpá-lo e quando não estiver a utilizá-lo.
- As crianças devem ser vigiadas para garantir que não brincam com o aparelho.
- Este aparelho pode ser utilizado por crianças e pessoas com capacidades físicas, sensoriais ou mentais reduzidas ou com falta de experiência e conhecimentos sempre que seja sob supervisão ou quando instruídos no uso do aparelho de uma maneira segura e compreendam os perigos que implica.
- Nunca mergulhe o cabo, a ficha ou o corpo principal do electrodoméstico na água ou outros líquidos. No caso em que o aparelho caia na água, desligue-o imediatamente da tomada e peça a um expert que o examine antes de voltar a utilizá-lo. Pode provocar incêndios, descargas eléctricas, lesões ou a morte.
- Ponha sempre os ingredientes que deseje fritar na cesta para evitar que entrem em contacto com os elementos aquecedores.
- Não tape nem a entrada nem a saída de ar quando o aparelho estiver a funcionar.
- Não encha o recipiente com óleo, pois poderia causar um incêndio.
- Certifique-se que a voltagem e a frequência do circuito correspondem aos indicados na etiqueta de classificação do aparelho.
- Não levante nem utilize o electrodoméstico se o cabo de alimentação ou a ficha estão estragados, ou se o aparelho está a funcionar mal ou se caiu ou se está estragado de alguma maneira. Em caso de danos, ponha-se em contacto com o serviço pós-venda. Um cabo ou ficha estragado deve ser substituído exclusivamente pelo fabricante ou por uma pessoa qualificada para evitar lesões.
- Não deixe que o cabo fique pendurado à beira de uma mesa ou da bancada da cozinha. Não utilize o electrodoméstico perto de superfícies quentes, evite a proximidade de fogos abertos e todo o tipo de calor e fontes de ignição.
- Não ligue nem utilize o aparelho com as mãos molhadas.
- Ligue o aparelho a uma tomada com conexão terra e certifique-se que está bem conectado.
- Nunca conecte este electrodoméstico a um temporizador externo para evitar situações perigosas.
- Quando utilize este aparelho, certifique-se que há suficiente espaço por cima e por todos os lados para a circulação do ar (10cm). Não utilize o aparelho se está em contacto ou se está perto de cortinas, roupa, toalhas ou outros materiais inflamáveis.
- Quando o aparelho está em funcionamento, liberta vapor quente através das aberturas de saída de ar. Mantenha as mãos e a cara a uma distância prudente do vapor e das aberturas de saída de ar. Também tenha cuidado com o vapor e o ar quente quando retire a bandeja do aparelho.

- As superfícies acessíveis podem aquecer durante o uso.
- Se vê sair fumo escuro do aparelho, desligue-o imediatamente. Espere que o fumo deixe de sair antes de retirar a bandeja do aparelho.
- A bandeja aquece quando se utiliza na fritadeira de ar. Use sempre luvas de cozinha quando toque a bandeja.
- Coloque a fritadeira de ar sobre uma superfície firme, plana, nivelada e resistente ao calor. Não a coloque sobre uma superfície macia como um tapete. Evite colocá-la num lugar onde possa virar durante a operação.
- No interior não há peças que possam ser reparadas pelo usuário. Não tente desmontar ou reparar este produto. Ponha-se em contacto com o nosso serviço pós-venda.
- Deixe que o aparelho esfrie durante 30 minutos antes de movê-lo ou limpá-lo.
- Certifique que os ingredientes preparados saiam de cor amarelo dourado em vez de escuro ou castanho. Retire qualquer alimento queimado. Não frite batatas flocadas a uma temperatura superior a 200 °C (para minimizar a produção de acrilamida).

ANTES DO PRIMEIRO USO

Retire toda a embalagem e todos os autocolantes ou etiquetas do aparelho.

Limpe a fundo a cesta e a panela com água quente, um pouco de detergente e uma esponja não abrasiva.

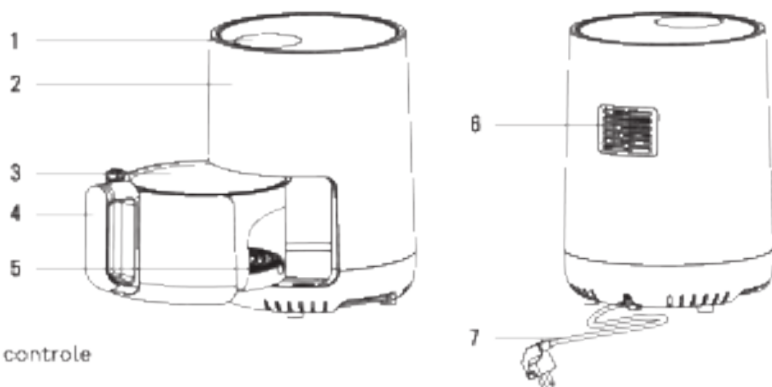
Limpe o interior e o exterior do aparelho com um pano húmido.

Esta é uma fritadeira de ar que funciona com ar quente. Não encha a panela com óleo ou gordura para fritar.

PREPARAR O ELECTRODOMÉSTICO

1. Coloque a fritadeira de ar sobre uma superfície dura, plana, nivelada e resistente ao calor.
2. Coloque a cesta na panela correctamente.
3. Retire o cabo do compartimento do cabo situado na parte inferior do aparelho.
4. Não encha o recipiente com óleo nem com nenhum outro líquido.
5. Não tape o aparelho, pois interrompe o fluxo de ar e afecta o resultado da cozedura.

LISTA DE PARTES



1. Painel de controle
2. Carcassa
3. Cesta
4. Pega da cesta
5. Bandeja
6. Saída de ar
7. Cabo de alimentação

PAINEL DE CONTROL



Botão de ligado

Uma vez que a panela e a cesta de fritar estejam correctamente colocadas no corpo da fritadeira, o botão de ligado se iluminará. Mantenha pulsado o botão de ligado durante 2 segundos para ajustar por defeito a temperatura a 180° e o tempo de cozedura a 15 minutos. Pulse-o de novo para iniciar o processo de cozedura. Pressione e mantenha pressionado o botão de ligado durante 2 segundos para parar o aparelho durante o seu funcionamento. Todas as luzes se apagarão e o ventilador pára.

Nota: Enquanto o aparelho está funcionando, você pode usar o botão para pausar e iniciar a operação. A luz do botão piscará durante a pausa e o ventilador desligará alguns segundos depois. Pressione o botão novamente para continuar a cozinhar e a luz do botão permanecerá acesa.

Botão de temperatura/temporizador

Pressione este botão para entrar na configuração da temperatura e do temporizador. Utilize as setas para ajustar o tempo e a temperatura desejados.

Botões de controle

Pode utilizar as setas para ajustar o tempo e a temperatura.

O intervalo de temperatura é de 80 °C a 200 °C.

O intervalo de tempo é de 0 minutos a 60 minutos.

 Indicador de temperatura

 Indicador do temporizador

 Indicador do ventilador

INSTRUÇÕES DE USO

1. Ligue a fritadeira.



2. Tire com cuidado a panela da fritadeira.



3. Ponha os ingredientes na cesta.



4. Deslize a panela de novo na fritadeira alinhando-a cuidadosamente com as guias no corpo da fritadeira.

5. Determine o tempo de preparação necessário para os ingredientes (consulte a secção 'Ajustes').

Nunca use a panela sem a cesta dentro.

Cuidado: Não toque a panela durante ou imediatamente depois de usá-la, uma vez que aquece muito. Pegue a panela apenas pelo cabo.

6. Configure a temperatura e o temporizador.

7. Alguns ingredientes devem mexer-se a meio do processo de preparação (consulte a secção 'Ajustes'). Para mexer os ingredientes, retire a panela da fritadeira pelo cabo e agite-a cuidadosamente. A seguir deslize a panela de novo na fritadeira.

8. Quando o tempo de preparação programado termina escutará o apito do alarme, e o ventilador pára. Retire a panela do aparelho e coloque-a sobre uma superfície resistente ao calor.

9. Compruebe si los ingredientes están listos.

Si los ingredientes aún no están listos, simplemente vuelva a colocar la sartén en el aparato y ajuste el temporizador a unos minutos más.

10. Para retirar los alimentos (por ejemplo, patatas fritas), saque la sartén de la freidora de aire caliente y colóquela sobre una superficie resistente al calor.

Não ponha a cesta virada para baixo com a panela ligada a ela, pois qualquer excesso de óleo que possa ter acumulado no fundo da panela passará para os ingredientes.

A panela e os ingredientes estão quentes. Dependendo do tipo de comida na fritadeira, pode sair vapor da panela.

11. Esvazie a cesta para um recipiente ou para um prato.

Conselho: Para retirar os ingredientes maiores ou delicados, tire-os da cesta com uma pinça.

12. Quando uma porção de comida está pronta, a fritadeira de ar estará pronta instantaneamente para preparar outra porção.

AJUSTE

Esta tabela a seguir lhe ajudará a escolher os ajustes básicos para os diferentes tipos de ingredientes.

Nota: Tenha em conta que estes ajustes são orientativos. Ingredientes com diferentes formas e tamanhos exigirão diferentes ajustes de tempo e temperatura.

Dado que a tecnologia Quick Air reaquece instantaneamente o ar do interior do aparelho, o acto de retirar brevemente a panela do aparelho durante o seu funcionamento apenas alterará o processo.

CONSELHOS

- Os ingredientes mais pequenos costumam exigir um tempo de preparação ligeiramente mais curto que os ingredientes maiores. Tal como grandes quantidades de alimentos, exigem um tempo de preparação ligeiramente mais longo que quantidades de alimentos mais pequenas.
- Para optimizar o resultado final e ajudar a que a comida se cozinhe de maneira uniforme, agite cuidadosamente a panela a meio do processo de preparação.
- Cubra ligeiramente as batatas com um pouco de óleo antes de fritá-las para obter um resultado mais crocante.
- Não prepare ingredientes muito gordurosos, como salchichas, na fritadeira de ar quente.
- Os aperitivos que se podem preparar no forno também se podem preparar na fritadeira de ar quente.
- A quantidade óptima para preparar batatas fritas crocantes é de 300 gramas.
- A masa que se compra no supermercado exige um tempo de preparação mais curto que a massa feita em casa.
- Se deseja assar um bolo, uma quiche, madalenas ou ingredientes delicados e recheados, pode colocar formas de silicone para madalenas e esteiras/tapetas de silicone no interior do aparelho.
- Também pode usar a fritadeira de ar quente para aquecer a comida. Basta ajustar a temperatura a 150°C durante 10 minutos.

	QUANT. (G)	TEMPO (MIN.)	TEMP. (°C)	AGITAR	INFO. EXTRA
BATATAS & BATATAS FRITAS					
Batatas fritas finas	200-300	18-20	200	S/m	
Batatas fritas grossas	200-300	20-25	200	S/m	
Gratin de batatas	300	20-25	200	S/m	
CARNES & AVES					
Bife	100-300	10-15	180		
Costeletas de porco	100-300	10-15	180		
Hamburger	100-500	10-15	180		
Rolo de salchicha	100-300	13-15	200		
coxinhas de frango	100-300	25-30	180		
Peito de frango	100-500	15-20	180		
APERITIVOS					
Rollitos de primavera	100-250	8-10	200	S/m	Utilize os que são para forno
Nuggets de frango congelados	100-300	6-10	200	S/m	Utilize os que são para forno
Peixe congelado	100-250	6-10	200		Utilize os que são para forno

	QUANT. (G)	TEMPO (MIN.)	TEMP. (°C)	AGITAR	INFO. EXTRA
Snacks de queijo ralado em pão congelado	100-250	8-10	180		Utilize os que são para forno
Verduras recheadas	100-250	10	160		
ASSAR					
Doce	250	20-25	160		Use uma assadeira
Quiche	300	20-22	180		Use uma assadeira
Madalenas	250	15-18	200		Use uma assadeira
Aperitivos doces	250	20	160		Use uma assadeira

Nota: Se não pré-aqueceu a sua fritadeira de ar, junte mais 3 minutos ao tempo de preparação para permitir que o aparelho aqueça.

LIMPEZA E MANUTENÇÃO

Limpe o aparelho depois de cada uso.

A panela, a bandeja, o separador, a cesta e o interior do aparelho têm uma capa antiaderente. Não utilize utensílios de cozinha metálicos nem materiais de limpeza abrasivos para limpá-los, uma vez que poderia estragar o revestimento antiaderente.

1. Desligue o aparelho e deixe esfriar.

Nota: Retire a panela para que a fritadeira de ar esfrie mais rápido.

2. Limpe a parte exterior do aparelho com um pano húmido.

3. Limpe a panela, a bandeja, o separador e a cesta com água quente, um pouco de detergente e uma esponja não abrasiva. Pode utilizar um líquido desengordurante para eliminar os resíduos restantes.

Nota: A panela, a bandeja, o separador e a cesta podem-se colocar na máquina de louça.

Conselho: Se fica comida agarrada à cesta, à bandeja ou ao fundo da panela, encha a panela com água quente e um pouco de detergente. Ponha a cesta na panela e deixe-a de molho durante 10 minutos.

4. Limpe o elemento aquecedor com uma escova de limpeza para eliminar qualquer resíduo de comida.

Desligue a sua fritadeira de ar e comprove que todas as peças estejam limpas e secas antes de guardar o aparelho.

RESOLUÇÃO DE PROBLEMAS

PROBLEMA	CAUSA	SOLUÇÃO
A fritadeira de ar quente não funciona.	O aparelho não está ligado. Não ajustou o temporizador.	Ligue o aparelho numa tomada com terra. Para ligar o aparelho, utilize o botão do temporizador para programar o tempo.
Os ingredientes não estão cozidos.	-há demasiada comida na cesta. A temperatura programada é demasiado baixa. O tempo de preparação é demasiado curto.	Retire um pouco de comida. As rodadas mais pequenas fritam-se de forma mais uniforme. Selecione a temperatura desejada (veja a secção "Ajustes"). Selecione o tempo desejado (veja a secção "Ajustes").
Os ingredientes não fritam uniformemente.	Alguns tipos de ingredientes necessitam ser mexidos a meio do processo de preparação.	Retire a panela do corpo principal e agite-a cuidadosamente a meio do processo de preparação.
Os aperitivos fritos não estão crocantes quando saem da fritadeira de ar.	Usou um tipo de aperitivo destinado a ser preparado numa fritadeira tradicional.	Utilize aperitivos para assar ou cubra ligeiramente os ingredientes com um pouco de óleo para obter um resultado mais crocante.
A panela não encaixa correctamente no aparelho.	-há demasiada comida na bandeja. A cesta não está colocada correctamente na panela.	Retire um pouco de comida, mais pequenas fritam-se de forma mais uniforme. Empurre a cesta para baixo na bandeja até escutar um clique.
Se há fumo branco do aparelho.	-está preparando ingredientes gordurosos. A panela ainda contém resíduos de gordura de um uso anterior.	Quando fritar ingredientes gordurosos na fritadeira de ar, derrama-se uma grande quantidade de óleo na panela. O óleo produz fumo branco e a panela pode aquecer-se mais que o normal. Não afecta o rendimento nem o resultado final. O fumo branco é causado pelo aquecimento da gordura na panela. Limpe bem a panela depois de cada uso.
As batatas fritas não se fritam de forma uniforme.	Não lavou bem as batatas antes de fritá-las.	Passa as bem por água para eliminar todo o amido do exterior.
As batatas fritas não estão crocantes quando saem da fritadeira de ar.	A textura crocante das batatas fritas depende da quantidade de óleo e água que combinam.	Corte as batatas em palitos mais pequenos para obter um resultado mais crocante. Junte um pouco mais de óleo para obter um resultado mais crocante.



Em conformidade com as directivas 2012/19 / UE e 2016/953 / UE sobre a restrição do uso de substâncias perigosas em equipamentos eléctricos e electrónicos, bem como a eliminação de resíduos. O símbolo com o círculo de fio cruzado mostrado na embalagem indica que o produto ao final da sua vida útil não colado como lixo separado. Portanto, qualquer produto que tenha atingido o fim de sua vida útil deve ser entregue a centros especializados de eliminação de resíduos para coleta seletiva de equipamentos eléctricos e electrónicos, ou devolvido ao varejista ao comprar equipamentos novos similares, em um país da base. A coleta adequada e apropriada para o encaminhamento adequado do equipamento enviado para reciclagem, transporte e descarte de maneira ecológica ajuda a evitar produtos eletrônicos negativos no meio ambiente e a reduzir a reciclagem e reutilização de os componentes que compõem o dispositivo. A eliminação ativa do produto pelo usuário implica a aplicação de sanções administrativas de acordo com as leis.

FRANÇAIS

Merci d'avoir choisi notre friteuse sans huile. Avant d'utiliser cet appareil et afin d'assurer une utilisation optimale, veuillez lire attentivement le mode d'emploi.

Les mesures de sécurité indiquées ici réduisent les risques d'incendie, de choc électrique et de blessures si elles sont respectées. Conservez ce manuel dans un endroit sûr pour référence ultérieure, ainsi que la garantie, le ticket d'achat et la boîte. Le cas échéant, donnez ces instructions au futur propriétaire de l'appareil. Respectez toujours les consignes de sécurité de base et les mesures de prévention des risques lors de l'utilisation d'un appareil électrique. Le fabricant n'est pas responsable des dommages résultant du non-respect de ces instructions par l'utilisateur.

INSTRUCTIONS DE SÉCURITÉ

Lors de l'utilisation d'un appareil électrique, les précautions de sécurité de base doivent toujours être respectées.

- L'appareil ne doit être utilisé que pour l'usage auquel il est destiné. Le fabricant n'est pas responsable des dommages résultant d'une mauvaise utilisation ou d'une manipulation incorrecte.
- Ne pas utiliser à l'extérieur ou à des fins commerciales. Cet appareil est destiné à un usage domestique uniquement. En cas d'utilisation à des fins commerciales, la garantie est annulée.
- Toujours débrancher l'appareil avant de le nettoyer et lorsqu'il n'est pas utilisé.
- Les enfants doivent être surveillés pour s'assurer qu'ils ne jouent pas avec l'appareil.
- Cet appareil peut être utilisé par des enfants et des personnes ayant des capacités physiques, sensorielles ou mentales réduites ou un manque d'expérience et de connaissances s'ils ont été supervisés ou instruits en toute sécurité sur l'utilisation de l'appareil et comprennent les dangers qui en découlent.
- Ne plongez jamais le cordon, la fiche ou le corps principal de l'appareil dans l'eau ou d'autres liquides. Si l'appareil tombe dans l'eau, débranchez-le immédiatement du secteur et faites-le vérifier par un spécialiste avant de l'utiliser à nouveau. Il peut provoquer un incendie, un choc électrique, des blessures ou la mort.
- Mettez toujours les ingrédients que vous voulez faire frire dans le panier pour éviter qu'ils n'entrent en contact avec les éléments chauffants.
- Ne couvrez pas l'entrée ou la sortie d'air lorsque l'appareil est en marche.
- Ne remplissez pas le réservoir d'huile, car cela pourrait entraîner un risque d'incendie.
- Assurez-vous que la tension et la fréquence du circuit correspondent à celles indiquées sur la plaque signalétique de l'appareil.
- Ne soulevez pas ou n'utilisez pas l'appareil si le cordon d'alimentation ou la fiche est endommagé, ou si l'appareil fonctionne mal ou s'il est tombé ou a été endommagé d'une quelconque façon. En cas de dommage, veuillez contacter le service après-vente. Un cordon ou une fiche endommagée ne doit être remplacé que par le fabricant ou une personne qualifiée pour éviter toute blessure.
- Ne laissez pas le câble pendre sur le bord d'une table ou d'un comptoir. N'utilisez pas l'appareil près de surfaces chaudes, évitez la proximité de feux ouverts et de toutes sources de chaleur et d'inflammation.
- Ne pas brancher ou utiliser l'appareil avec les mains mouillées.
- Branchez l'appareil dans une prise de courant mise à la terre et assurez-vous qu'il est correctement branché.
- Ne connectez jamais cet appareil à une minuterie externe pour éviter les situations dangereuses.
- Lors de l'utilisation de cet appareil, assurez-vous qu'il y a suffisamment d'espace au-dessus et sur tous les côtés pour la circulation de l'air (10 cm). N'utilisez pas l'appareil s'il est en contact avec des rideaux, des vêtements, des serviettes ou d'autres matériaux inflammables ou à proximité.
- Pendant le fonctionnement de l'appareil, de la vapeur chaude est libérée par les ouvertures de sortie d'air. Gardez les mains et le visage à une distance de sécurité des ouvertures de sortie de vapeur et d'air. Soyez également prudent avec la vapeur et l'air

- chaud lorsque vous retirez le plateau de l'appareil.
- Les surfaces accessibles peuvent devenir chaudes pendant l'utilisation.
- Si vous voyez de la fumée sombre sortir de l'appareil, débranchez-le immédiatement. Attendez que la fumée cesse de s'échapper avant de retirer le plateau de l'appareil.
- Le plateau chauffe lorsqu'il est utilisé dans la friteuse. Portez toujours des gants de cuisine lorsque vous touchez le plateau.
- Placez la friteuse sur une surface ferme, plate, à niveau et résistante à la chaleur. Ne le placez pas sur une surface molle telle qu'une moquette. Évitez de le placer dans un endroit où il pourrait basculer pendant le fonctionnement.
- Il n'y a pas de pièces réparables par l'utilisateur à l'intérieur. N'essayez pas de démonter ou de réparer cet appareil. Veuillez contacter notre service après-vente.
- Laissez refroidir l'appareil pendant environ 30 minutes avant de le déplacer ou de le nettoyer.
- Assurez-vous que les ingrédients préparés dans cet appareil sont d'un jaune doré au lieu d'un brun ou d'un jaune foncé. Retirez les aliments brûlés. Ne faites pas frire des pommes de terre fraîches à plus de 200 °C (pour minimiser la production d'acrylamide).

AVANT LA PREMIÈRE UTILISATION

Retirez tous les emballages et tous les autocollants ou étiquettes de l'appareil.

Nettoyer soigneusement le panier et la casserole avec de l'eau chaude, un peu de détergent et une éponge non abrasive.

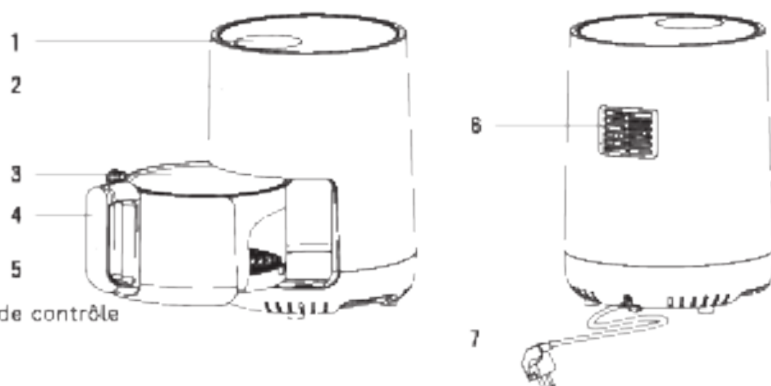
Nettoyez l'intérieur et l'extérieur de l'appareil avec un chiffon humide.

C'est une friteuse à air qui fonctionne à l'air chaud. Ne pas remplir la poêle d'huile ou de graisse de friture.

PRÉPARER L'APPAREIL

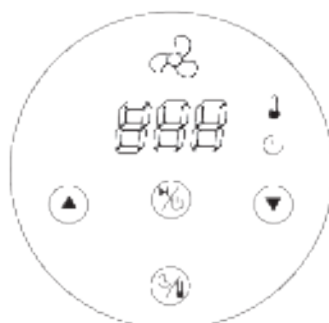
1. Placez la friteuse sur une surface dure, plate, à niveau et résistante à la chaleur.
2. Placez correctement le panier dans la poêle.
3. Retirez le câble du compartiment de câble situé sous l'appareil.
4. Ne remplissez pas le récipient avec de l'huile ou tout autre liquide.
5. Ne couvrez pas l'appareil, car cela interrompt le flux d'air et altère le résultat de la cuisson.

LISTE DES PIÈCES



1. Panneau de contrôle
2. Carcasse
3. Panier
4. Poignée du panier
5. Plateau
6. Sortie d'air
7. Câble d'alimentation

PANNEAU DE CONTRÔLE



Bouton d'alimentation

Une fois que la poêle et le panier de friture sont correctement positionnés sur le corps de la friteuse, le bouton d'alimentation s'allume. Maintenez le bouton marche pendant 2 secondes pour régler la température. Par défaut, la température est à 180° et le temps de cuisson à 15 minutes. Appuyez de nouveau pour lancer la cuisson. Appuyez sur le bouton d'alimentation et maintenez-le pendant 2 secondes pour arrêter l'appareil. Toutes les lumières s'éteignent et le ventilateur s'arrête.

Remarque : Pendant que l'appareil fonctionne, vous pouvez utiliser le bouton pour mettre en pause et démarrer l'opération. Le voyant du bouton clignotera pendant la pause et le ventilateur s'éteindra quelques secondes plus tard. Appuyez à nouveau sur le bouton pour continuer la cuisson et le voyant du bouton restera allumé en continu.

Bouton Température/Temporisateur

Appuyez sur cette touche pour entrer les réglages de la température et de la minuterie. Utilisez les flèches (boutons 3 et 4) pour régler l'heure et la température désirées.

Boutons de commande

Vous pouvez utiliser les flèches pour régler l'heure et la température.

La plage de température est comprise entre 80 °C et 200 °C.

La plage de temps va de 0 à 60 minutes.

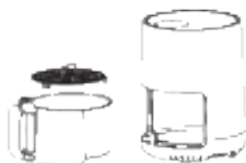
 Indicateur de température

 Indicateur de minuterie

 Indicateur de ventilateur

MÔDE D'EMPLOI

1. Branchez la friteuse.



2. Retirez délicatement la poêle de la friteuse.



3. Mettez les ingrédients dans le panier.



4. Remettre la poêle dans la friteuse à air chaud en l'alignant soigneusement avec les guides sur le corps de la friteuse.

5. Déterminez le temps de préparation requis pour les ingrédients (voir la section " Réglages ").

Ne jamais utiliser la poêle sans le panier.

Attention : Ne pas toucher la poêle pendant ou immédiatement après l'utilisation, car elle devient très chaude. Tenir la poêle à frire par la poignée seulement.

6. Réglez la température et la minuterie.

7. Certains ingrédients doivent être remués pendant le processus de préparation (voir la section " Réglages "). Pour remuer les ingrédients, retirez la poêle de la friteuse par la poignée et agitez délicatement. Remettez ensuite la poêle dans la friteuse.

8. Lorsque vous entendez le bip de l'alarme, le temps de réglage programmé est écoulé et le ventilateur s'arrête. Retirez la poêle de l'appareil et placez-la sur une surface résistante à la chaleur.

9. Vérifier si les ingrédients sont prêts.

Si les ingrédients ne sont pas encore prêts, il suffit de remettre la poêle dans l'appareil et de régler la minuterie sur quelques minutes de plus.

10. Pour retirer les aliments (p. ex. les frites), retirez la poêle de la friteuse à air chaud et placez-la sur une surface résistante à la chaleur.

Ne retournez pas le panier à l'envers avec la poêle, car l'excès d'huile accumulé au fond de la poêle s'infiltrera dans les ingrédients.

La poêle et les ingrédients sont chauds. Selon le type d'aliment dans la friteuse, de la vapeur peut s'échapper de la poêle.

11. Vider le panier dans un bol ou une assiette.

Conseil : Pour retirer les ingrédients les plus gros ou les plus délicats, retirez-les du panier à l'aide d'une pince.

12. Lorsqu'une portion d'aliment est prête, la friteuse est instantanément prête à préparer une autre portion.

RÉGLAGES

Ce tableau ci-dessous vous aidera à choisir les réglages de base pour les différents types d'ingrédients.

Remarque : Veuillez noter que ces réglages ne sont donnés qu'à titre indicatif. Des ingrédients de formes et de tailles différentes nécessiteront des réglages de durée et de température différents.

Comme la technologie Quick Air réchauffe instantanément l'air à l'intérieur de l'appareil, le fait de retirer brièvement la poêle de l'appareil en cours de fonctionnement ne modifie guère le processus.

CONSEILS

- Les ingrédients plus petits nécessitent généralement un temps de préparation légèrement plus court que les ingrédients plus gros. Comme les grandes quantités d'aliments nécessitent un temps de préparation légèrement plus long que de petites quantités d'aliments.
- Pour optimiser le résultat final et aider la cuisson uniforme des aliments, agiter soigneusement la poêle pendant le processus de préparation.
- Enduire légèrement les pommes de terre fraîches d'un peu d'huile avant de les faire frire pour obtenir un résultat plus croustillant.
- Ne préparez pas d'ingrédients extrêmement gras, comme les saucisses, dans la friteuse à air chaud.
- Les entrées qui peuvent être préparées au four peuvent également être préparées dans la friteuse à air chaud.
- La quantité optimale pour des frites croustillantes est de 500 grammes.
- La pâte achetée en supermarché nécessite un temps de préparation plus court que la pâte maison.
- Si vous voulez faire cuire un gâteau, une quiche, un muffin ou des ingrédients délicats et fourrés, vous pouvez placer des moules à muffins en silicone et des tapis en silicone dans l'appareil.
- Vous pouvez également utiliser la friteuse à air chaud pour réchauffer les aliments. Il suffit de régler la température à 150 °C pendant 10 minutes.

	QUANT. (G)	TEMPS (MIN.)	TEMP. (°C)	AGITER	INFO. EXTRA
POMMES DE TERRE & FRITES					
Frites fines	200-300	18-20	200	Oui	
Frites grosses	200-300	20-25	200	Oui	
Grain de pommes de terre	300	20-25	200	Oui	
VIANDE ET VOLAILLE					
Steak	100-300	10-15	160		
Côtes de porc	100-300	10-15	180		
Hamourger	100-300	10-15	180		
Rouveau de saucisse	100-300	13-15	200		
Filons	100-300	25-30	180		
Poitrine de poulet	100-300	15-20	160		
APÉRITIFS					
Rouveau de printemps	100-250	8-10	200	Oui	Peuvent être cuits au four
Pépites de poulet surgelées	100-300	8-10	200	Oui	Peuvent être cuits au four
détonnets de poisson surgelés	100-250	6-10	200		Peuvent être cuits au four

	QUANT. (G)	TEMPS (MIN.)	TEMP. (°C)	AGITER	INFO. EXTRA
Collations de fromage pané au fromage saugé	100-250	8-10	180		Peuvent être cuits au four
Égumes farcis	100-250	10	180		
CUISSON AU FOUR					
Tarte	250	20-25	180		Utilisez un moule à pâtisserie
Quiche	300	20-22	180		Utilisez un moule à pâtisserie
Madeline	250	15-18	200		Utilisez un moule à pâtisserie
Apéritifs sucrés	250	20	180		Utilisez un moule à pâtisserie

Remarque : Si vous n'avez pas préchauffé votre friteuse, ajoutez 3 minutes au temps de préparation pour permettre à votre appareil de chauffer.

NETTOYAGE ET ENTRETIEN

Nettoyez l'appareil après chaque utilisation.

La poêle, le plateau, l'espaceur, le panier et l'intérieur de l'appareil sont recouverts d'un revêtement anti-adhésif. N'utilisez pas d'ustensiles de cuisine en métal ou de produits de nettoyage abrasifs pour les nettoyer, car cela pourrait endommager le revêtement antiadhésif.

1. Débranchez l'appareil et laissez-le refroidir.

Note : Retirez la poêle pour permettre à la friteuse de refroidir plus rapidement.

2. Nettoyez l'extérieur de l'appareil avec un chiffon humide.

3. Nettoyez la poêle, le plateau, le séparateur et le panier avec de l'eau chaude, un peu de détergent et une éponge non abrasive. Vous pouvez utiliser un liquide dégraissant pour éliminer les résidus restants.

Note : La poêle, le plateau, le séparateur et le panier sont aptes pour le lave-vaisselle.

Conseil : Si les aliments sont collés au panier, au plateau ou au fond de la casserole, remplissez la casserole d'eau chaude et d'un peu de détergent. Mettez le panier dans la poêle et laissez tremper environ 10 minutes.

4. Nettoyez l'élément chauffant à l'aide d'une brosse de nettoyage pour enlever tout résidu alimentaire.

Débranchez votre friteuse et assurez-vous que toutes les pièces sont propres et sèches avant de les ranger.

RÉSOLUTION DES PROBLÈMES

PROBLÈME	CAUSE	SOLUTION
La friteuse à air chaud ne fonctionne pas.	<p>L'appareil n'est pas branché.</p> <p>Vous n'avez pas réglé la minuterie.</p>	<p>Branchez l'appareil dans une prise de courant reliée à la terre.</p> <p>Pour allumer l'appareil, utilisez la touche de minuterie pour régler le temps.</p>
Les ingrédients ne sont pas cuits.	<p>Il y a trop de nourriture dans le panier.</p> <p>La température programmée est trop basse.</p> <p>Le temps de préparation est trop court.</p>	<p>Retirez un peu de nourriture. Les petites quantités sont frites plus uniformément.</p> <p>Sélectionner la température souhaitée (voir chapitre "Réglages").</p> <p>Sélectionner le temps souhaité (voir chapitre "Réglages").</p>
Les ingrédients ne sont pas frites uniformément.	Certains types d'ingrédients doivent être retirés pendant le processus de préparation.	Retirez la poêle du corps principal et agitez délicatement pendant le processus de préparation.
Les apéritifs frita ne sont pas croustillants lorsqu'ils sortent de la friteuse.	Vous utilisez un type de snack destiné à être préparé dans une friteuse traditionnelle.	Utilisez des amuse-gueules ou enduisez légèrement les ingrédients d'un peu d'huile pour obtenir un résultat plus croustillant.
La poêle ne rentre pas correctement dans l'appareil.	<p>Il y a trop de nourriture dans le plateau.</p> <p>Le panier n'est pas correctement positionné dans la casserole.</p>	<p>Retirez un peu de nourriture. Les petites quantités sont frites plus uniformément.</p> <p>Poussez le panier vers le bas dans le plateau jusqu'à ce que vous entendiez un clic.</p>
De la fumée blanche s'échappe de l'appareil.	<p>Vous êtes en train de préparer des ingrédients gras.</p> <p>La casserole contient encore des résidus de graisse provenant d'une utilisation antérieure.</p>	<p>Lorsque vous faites frire des ingrédients gras dans la friteuse, une grande quantité d'huile se répandra dans la poêle. L'huile produit une fumée blanche et la poêle peut chauffer plus que d'habitude. Ceci n'affecte pas la performance ni le résultat final.</p> <p>La fumée blanche est causée par le chauffage de la graisse dans la poêle. Assurez-vous de bien nettoyer la poêle après chaque utilisation.</p>
Les frites ne sont pas cuites de façon uniforme.	Vous n'avez pas bien lavé les pommes de terre avant de les faire frire.	Rincez bien les pommes de terre pour enlever tout l'amidon de l'extérieur.
Les frites ne sont pas croustillantes lorsqu'elles sortent de la friteuse.	La texture crouillante des frites dépend de la quantité d'huile et d'eau qu'elles contiennent.	Couper les pommes de terre en bâtonnets plus petits pour un résultat plus croustillant. Ajouter un peu plus d'huile pour un résultat plus croustillant.

Conformément aux directives 2012/19/UE et 2015/863/UE sur la limitation de l'utilisation de substances dangereuses dans les équipements électriques et électroniques, ainsi que leur élimination des déchets. Le symbole avec la poubelle croisée indiqué sur l'emballage indique que le produit à la fin de sa durée de vie sera collecté en tant que déchet séparé. Par conséquent, pour produire avant la fin de sa durée de vie doit être livré dans des centres d'élimination des déchets après usage pour la collecte sélective des déchets d'équipements électriques et électroniques, ou retourné au détaillant lors de l'achat de nouveaux équipements similaires, en un seul point de base. Une collecte séparée appropriée pour la mise en service ultérieure des équipements expédiés pour être recyclés, traités et éliminés d'une manière respectueuse de l'environnement aide à prévenir les effets négatifs potentiels sur l'environnement et la santé et optimiser le recyclage et la réutilisation des les composants qui composent l'appareil. L'élimination abusive du produit par l'utilisateur implique l'application de sanctions administratives conformément aux lois.



Grazie per aver scelto la nostra friggitrice senza olio. Prima di utilizzare questo apparecchio e per garantirne un utilizzo ottimale, leggere attentamente le istruzioni per l'uso.

Le norme di sicurezza qui indicate riducono il rischio d'incendio, scosse elettriche e lesioni se seguite correttamente. Conservare il manuale in un luogo sicuro per future consultazioni, così come la garanzia, la ricevuta d'acquisto e la scatola. Nel caso la friggitrice venisse venduta a terzi, fornire queste istruzioni al futuro proprietario dell'apparecchio. Seguire sempre le istruzioni di sicurezza e le misure di prevenzione dei rischi di base quando si utilizza un apparecchio elettrico. Il produttore non è responsabile di eventuali danni derivanti dalla mancata osservanza delle presenti istruzioni da parte dell'utente.

ISTRUZIONI DI SICUREZZA

Quando si utilizzano apparecchi elettrici, osservare sempre le seguenti norme di sicurezza.

- L'apparecchio può essere utilizzato solo per l'uso previsto in questo manuale. Il produttore non si assume alcuna responsabilità per danni derivanti da un uso improprio.
- Non utilizzarlo all'aperto o per scopi commerciali. Questo apparecchio è destinato esclusivamente all'uso domestico. Se venisse utilizzato per scopi commerciali, la garanzia verrà considerata nulla.
- Scollegare sempre l'apparecchio prima della pulizia e quando non viene utilizzato.
- I bambini devono essere sorvegliati per assicurarsi che non giochino con l'apparecchio.
- Questo apparecchio può essere utilizzato da bambini e persone con ridotte capacità fisiche, sensoriali o mentali o con scarsa esperienza e conoscenza, purché siano sorvegliati o istruiti in modo sicuro sull'uso dell'apparecchio e ne comprendano i pericoli.
- Non immergere mai il cavo, la spina o il corpo principale dell'apparecchio in acqua o altri liquidi. Se l'apparecchio dovesse cadere in acqua, scollegare immediatamente la spina dalla rete elettrica e richiedere il parere di un esperto tecnico IKOHS prima di riutilizzarla. Può provocare incendi, scosse elettriche, lesioni o morte.
- Versare sempre gli ingredienti nel cestello, evitando che entrino in contatto con le resistenze elettriche.
- Non coprire l'ingresso o l'uscita dell'aria quando l'apparecchio è in funzione.
- Non riempire il contenitore con olio, in quanto ciò potrebbe causare rischio d'incendio.
- Accertarsi che la tensione e la frequenza del circuito corrispondano a quelle indicate sull'etichetta dell'apparecchio.
- Non sollevare o azionare l'apparecchio se il cavo di alimentazione o la spina sono danneggiati, o se l'apparecchio non funziona correttamente o è caduto o è stato in qualche modo danneggiato. In caso di danni, contattare il servizio post-vendita. Un cavo o una spina danneggiati devono essere sostituiti solo dal produttore o dal nostro reparto tecnico IKOHS per evitare lesioni all'utente.
- Non lasciare che il cavo penda fuori dal bordo di un tavolo o di un piano di lavoro. Non azionare l'apparecchio in prossimità di superfici calde o qualsiasi fonte di calore.
- Non collegare o utilizzare l'apparecchio con le mani bagnate.
- Inserire l'apparecchio in una presa con messa a terra e assicurarsi che sia collegato correttamente.
- Non collegare mai l'apparecchio ad un timer esterno per evitare situazioni di pericolo.
- Quando si utilizza questo apparecchio, assicurarsi che ci sia spazio sufficiente sopra e su tutti i lati per la circolazione dell'aria (10 cm). Non utilizzare l'apparecchio se è in contatto o vicino a tende, inoltramenti, asciugamani o altri materiali infiammabili.
- Durante il funzionamento dell'apparecchio, il vapore caldo viene rilasciato attraverso le aperture di uscita dell'aria. Tenere le mani e il viso a distanza di sicurezza dalle aperture di uscita del vapore e dell'aria. Prestare attenzione anche al vapore e all'aria calda quando il recipiente a cassetto viene rimosso dall'apparecchio.

- Le superfici dell'elettrodomestico possono surriscaldarsi durante l'utilizzo.
- Se dall'apparecchio fuoriesce fumo scuro, scollegare immediatamente la spina. Attendere che il fumo smetta di fuoriuscire prima di rimuovere il recipiente a cassetto dall'apparecchio.
- Il recipiente si riscalda quando viene utilizzato nella friggitrice. Indossare sempre guanti da cucina quando lo si tocca.
- Collocare la friggitrice ad aria su una superficie solida, piana, liscia e ignifuga. Non collocare su superfici morbide, come ad esempio un tappeto. Evitare di collocare in luoghi dove potrebbe ribaltarsi durante il funzionamento.
- All'interno non ci sono parti riparabili dall'utente. Non tentare di smontare o riparare il prodotto. Si prega di contattare il nostro servizio post-vendita.
- Lasciare raffreddare l'apparecchio per circa 30 minuti prima di spostarlo o pulirlo.
- Assicurarsi che gli ingredienti preparati siano di colore giallo dorato invece che scuro o marrone. Rimuovere il cibo bruciato. Le patate non surgelate devono essere cotte a temperature non superiori a 200 °C (per ridurre la produzione di acrilammide).

PRIMA DELL'USO

Rimuovere dall'apparecchio tutto l'imballaggio ed eventuali adesivi o etichette.

Pulire accuratamente il cestello e la pentola con acqua calda e un po' di detersivo con una spugna non abrasiva.

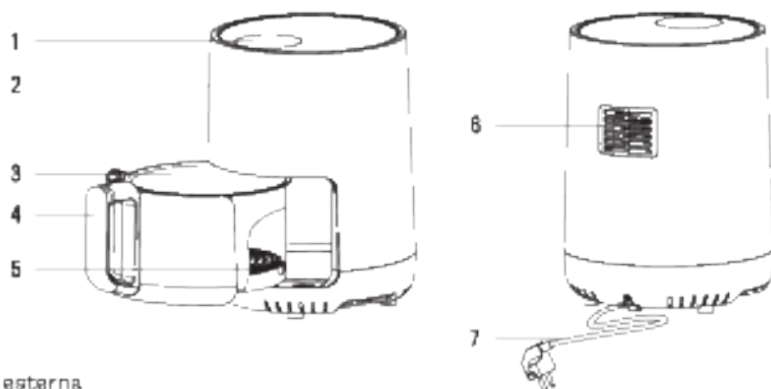
Pulire l'interno e l'esterno dell'apparecchio con un panno umido.

Questa è una friggitrice ad aria calda. Non riempire il recipiente a cassetto con olio o grasso per friggere.

PREPARAZIONE PER L'USO

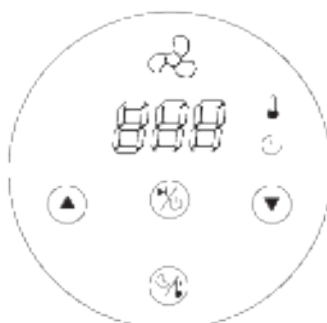
1. Collocare la friggitrice ad aria su una superficie dura, piana, liscia e ignifuga.
2. Posizionare correttamente il cestello nel recipiente a cassetto.
3. Rimuovere il cavo dal vano cavi sulla parte inferiore dell'apparecchio.
4. Non riempire il recipiente a cassetto con olio o altri liquidi.
5. Non coprire l'apparecchio, in quanto ciò interrompe il flusso d'aria e influisce sul risultato della cottura.

LISTA COMPONENTI



1. Display
2. Struttura esterna
3. Cestello
4. Manico cestello
5. Vassoio
6. Foro aria
7. Cavo di alimentazione

DISPLAY



Pulsante di accensione

Una volta che il recipiente a cassetto e il cestello sono posizionati correttamente sul corpo della friggitrice, il pulsante di accensione si illumina. Tenere premuto il pulsante di accensione per 2 secondi per impostare la temperatura predefinita a 180° e il tempo di cottura a 15 minuti. Premere di nuovo per avviare il processo di cottura. Tenere premuto il pulsante di accensione per 2 secondi per arrestare l'apparecchio durante il funzionamento. Tutte le luci si spegneranno e la ventola si fermerà.

Nota: Mentre l'apparecchio è in funzione, è possibile utilizzare il pulsante per mettere in pausa e avviare l'operazione. La spia del pulsante lampeggerà durante la pausa e la ventola si spegnerà pochi secondi dopo. Premere nuovamente il pulsante per continuare la cottura e la spia del pulsante rimarrà accesa fissa.

Pulsante temperatura/timer

Premere questo pulsante per regolare le impostazioni della temperatura e del timer. Utilizzare le frecce per regolare il tempo e la temperatura desiderati.

Pulsanti di controllo

È possibile utilizzare le frecce per regolare l'ora e la temperatura.

L'intervallo di temperatura è compreso tra 80 °C e 200 °C.

L'intervallo di tempo va da 0 minuti a 60 minuti.

 Indicatore di temperatura

 Indicatore del timer

 Indicatore del ventilatore

ISTRUZIONI PER L'USO

1. Collegare la friggitrice alla rete elettrica.



2. Rimuovere con cautela il recipiente a cassetto dalla friggitrice.



3. Versare gli ingredienti nel cestello.



4. Inserire di nuovo il recipiente allineandolo ai binari presenti nello scomparto apposito interno alla friggitrice.

5. Determinare il tempo di preparazione necessario per gli ingredienti (vedere la sezione "Impostazioni").

Non usare mai il recipiente senza il cestello.

Attenzione: non toccare il recipiente a cassetto durante o subito dopo l'uso. Tenere il recipiente solo dall'impugnatura.

6. Impostare la temperatura e il timer.

7. Alcuni ingredienti devono essere rimossi a metà del processo di preparazione (vedere la sezione "Impostazioni"). Per togliere gli ingredienti, togliere il recipiente della friggitrice dal manico e scuotere con cura. Poi inserire il recipiente a cassetto nella friggitrice.

8. La friggitrice emetterà un segnale acustico, segnerà che il tempo programmato è giunto al termine e la ventola si fermerà. Rimuovere il recipiente a cassetto dall'apparecchio e posizionarlo su una superficie ignifuga.

9. Verificare se gli ingredienti sono pronti.

Se gli ingredienti non sono ancora pronti, è sufficiente rimettere il recipiente ed il cestello nell'apparecchio e impostare il timer per qualche altro minuto.

10. Per rimuovere il cibo (ad esempio le patatine fritte), rimuovere il recipiente dalla friggitrice ad aria calda e posizionarla su una superficie ignifuga.

Non capovolgere la friggitrice quando essa è ancora collegata alla corrente elettrica, in quanto l'olio in eccesso che si potrebbe essere accumulato sul fondo del recipiente si infiltrerà negli ingredienti.

Il recipiente e gli ingredienti sono molto caldi al termine del programma di cottura. A seconda del tipo di cibo nella friggitrice, il vapore può fuoriuscire dal cestello.

11. Svotare il cestello in una ciotola o in un piatto.

Suggerimento: per rimuovere gli ingredienti più grandi o più delicati, toglierli dal cestello con delle pinze.

12. Al termine di un programma di cottura, la friggitrice ad aria è subito pronta per preparare un'altra porzione.

IMPOSTAZIONI

La tabella qui sotto vi aiuterà a scegliere le impostazioni di base per i diversi tipi di ingredienti.

Nota: Si prega di notare che queste impostazioni sono fornite solo a titolo informativo. Ingredienti con forme e dimensioni diverse richiedono impostazioni diverse in termini di tempo e temperatura.

Poiché la tecnologia Quick Air riscalda istantaneamente l'aria all'interno dell'apparecchio, rimuovendo per qualche secondo il recipiente durante il funzionamento, il processo non viene alterato.

SUGGERIMENTI

- Piccole quantità di cibo di solito richiedono un tempo di preparazione più breve rispetto a grandi quantità di cibo.
- Per ottimizzare il risultato finale e cucinare il cibo in modo uniforme, scuotere con cura il recipiente a metà del processo di preparazione.
- Versare piccole quantità di olio sulle patate (non surgelate) prima di friggere per un risultato più croccante.
- Non preparare ingredienti estremamente grassi, come ad esempio le salsicce, nella friggitrice ad aria calda.
- I cibi che generalmente possono essere cucinati in forno possono essere preparati anche nella friggitrice ad aria calda.
- La quantità ottimale per cucinare della patatine fritte croccanti è di 500 grammi.
- La pasta che si acquista al supermercato richiede un tempo di preparazione più breve rispetto alla pasta fatta in casa.
- Se si desidera cuocere una torta, una quiche, un muffin o ingredienti delicati e ripieni, è possibile inserire all'interno dell'apparecchio stampi per muffin in silicone.
- È inoltre possibile utilizzare la friggitrice ad aria calda per riscaldare i cibi. Basta impostare la temperatura a 150 °C per 10 minuti.

	QUANT. (G)	TEMPO (MIN.)	TEMP. (°C)	AGITARE	INFO. EXTRA
PATATE & PATATE FRITTE					
Patate fritte fine	200-300	18-20	200	SI	
Patate fritte grosse	200-300	20-25	200	SI	
Patate gratinate	300	20-25	200	SI	
CARNE E POLLAME					
Bistecca	100-300	10-15	180		
Costole di maiale	100-300	10-15	180		
Hamburger	100-300	10-15	180		
Rotolo di salsiccia	100-300	13-15	200		
Cosce di pollo	100-300	25-30	180		
Petto di pollo	100-300	15-20	180		
APERITIVI					
Involtini primavera	100-250	8-10	200	SI	Possono cucinare in forno
Bocconcini di pollo surgelati	100-300	6-10	200	SI	Possono cucinare in forno
Bocconcini di pesce congelati	100-250	6-10	200		Possono cucinare in forno
Snack al formaggio sbriciolato con pane congelato	100-250	8-10	180		Possono cucinare in forno
Verdure ripiene	100-250	10	180		

	QUANT. (G)	TEMPO (MIN.)	TEMP. (°C)	AGITARE	INFO. EXTRA
DA INFORNARE					
Torta	250	20-25	180		Usa la teglia
Qulche	300	20-22	180		Usa la teglia
MuTir	250	15-10	200		Usa la teglia
Apertiv' dolci	250	20	180		Usa la teglia

Nota: se non avete preriscaldato la friggitrice ad aria, aggiungete 3 minuti al tempo di preparazione per consentire all'apparecchio di riscaldarsi.

PULIZIA E MANUTENZIONE

Pulire il dispositivo dopo ogni utilizzo.

Il recipiente, il vassoio, il distanziatore, il cestello e l'interno dell'apparecchio hanno un rivestimento antiaderente. Non utilizzare utensili da cucina in metallo o materiali abrasivi per la pulizia, in quanto ciò potrebbe danneggiare il rivestimento antiaderente.

1. Scollegare l'apparecchio e lasciarlo raffreddare.

Nota: Rimuovere il recipiente a cassetto per permettere alla friggitrice ad aria di raffreddarsi più velocemente.

2. Pulire l'esterno dell'apparecchio con un panno umido.

3. Pulire il recipiente, il vassoio, il separatore e il cestello con acqua calda, un po' di detersivo e una spugna non abrasiva. È possibile utilizzare un liquido sgrassante per rimuovere i residui.

Nota: il cestello è lavabile in lavastoviglie.

Consiglio: se il cibo è rimasto attaccato al cestello, al vassoio o al fondo del recipiente, riempite quest'ultima con acqua calda e un po' di detersivo. Mettere il cestello nel recipiente e lasciare in ammollo per circa 10 minuti.

4. Pulire l'elemento riscaldante con una spazzola fine per rimuovere eventuali residui di cibo.

Scollegare la friggitrice ad aria e assicurarsi che tutte le parti siano pulite e asciutte prima di riporre l'apparecchio.

SOLUZIONE EVENTUALI PROBLEMI

PROBLEMA	CAUSA	SOLUZIONE
La friggitrice ad aria calda non funziona.	L'apparecchio non è collegato alla corrente. Il timer non è stato impostato.	Insierire la spina in una presa con messa a terra. Per accendere l'apparecchio, impostare l'ora con il pulsante del timer.
Gli ingredienti non sono cotti.	C'è troppo cibo nel cestello. La temperatura impostata è troppo bassa. Il tempo di preparazione è troppo breve.	Togliere un po' di cibo. I pezzi più piccoli si friggono in modo più veloce ed uniforme. Selezionare la temperatura desiderata (vedere la sezione "Impostazioni"). Selezionare l'ora desiderata (vedere la sezione "Impostazioni").
Gli ingredienti non vengono fritti in modo uniforme.	Alcuni tipi di ingredienti devono essere rimossi a metà del processo di preparazione.	Rimuovere il recipiente dalla struttura principale e agitare con attenzione a metà del processo di preparazione.
Gli snack fritti non sono croccanti quando escono dalla friggitrice.	È possibile cucinare vari tipi di snack, inclusi quelli consigliati per frittura in una friggitrice tradizionale.	Utilizzare cibi da forno, ricoprire leggermente gli ingredienti con un po' d'olio per un risultato più croccante.
I contenitore non si inserisce correttamente nell'elettrodomestico.	Troppo cibo nel cestello. Il cestello non è posizionato correttamente dentro al recipiente.	Togliere un po' di cibo. I pezzi più piccoli vengono fritti in modo più uniforme. Spingere il cestello verso il basso nel vassoio fino a quando non si sente un clic.
Dall'apparecchio fuoriesce fumo bianco.	Probabilmente si stanno preparando degli ingredienti grassi. La padella contiene ancora residui di grasso di un uso precedente.	Quando si friggono ingredienti grassi nella friggitrice ad aria, una grande quantità di olio si riversa nella padella. L'olio produce fumo bianco e il recipiente può riscaldarsi più del normale. Ciò non influisce sulle prestazioni o sul risultato finale. L'umo bianco è causato dal riscaldamento dei grassi nel recipiente. Assicurarsi di pulire accuratamente il recipiente dopo ogni utilizzo.
Le patatine fritte (non surgelate) non vengono fritte in modo uniforme.	Non hai lavato bene le patate prima di friggerle.	Scolquare bene le patate per rimuovere tutta l'amido dall'esterno.
Le patate (non surgelate) non sono croccanti quando escono dalla friggitrice.	La consistenza croccante delle patatine fritte dipende dalla quantità di olio e acqua che contengono.	Tagliare le patate in bastoncini più piccoli per un risultato più croccante. Aggiungere un po' di olio in più per un risultato più croccante.



In conformità con le direttive 2012/19 / UE e 2012/1826 / UE sulla restrizione del flusso di sostanze pericolose nelle apparecchiature elettriche ed elettroniche, nonché sul loro smaltimento dai rifiuti, il simbolo con la piumina incrociata inserito sulla confezione indica che il prodotto al termine della sua vita utile verrà raccolto come rifiuto speciale. Pertanto, qualsiasi prodotto che ha raggiunto la fine della sua vita utile deve essere consegnato a centri specializzati di smaltimento dei rifiuti per la raccolta selettiva di rifiuti di apparecchiature elettriche ed elettroniche o restituito al rivenditore al momento dell'acquisto di nuovo apparecchio simile, in un unico per una base. Una corretta raccolta separata per le sostanze messe in servizio di apparecchiature qualificate per essere riciclate, trattate e smaltite in modo ecologico aiuta a prevenire potenziali effetti negativi sull'ambiente e sulla salute e ottimizza il riciclaggio e il riutilizzo di i componenti che compongono il dispositivo. L'eliminazione obsoleta del prodotto da parte dell'utente implica l'adozione di sanzioni amministrative in conformità con la legge.

DEUTSCH

Vielen Dank, dass Sie sich für unsere ölfreie Fritteuse entschieden haben. Bevor Sie dieses Gerät benutzen und um seinen optimalen Gebrauch zu gewährleisten, lesen Sie bitte die Anleitung sorgfältig durch.

Die hier angegebenen Sicherheitsmaßnahmen reduzieren bei sachgemäßer Anwendung das Risiko von Bränden, Stromschlägen und Verletzungen. Bewahren Sie das Handbuch zum späteren Nachschlagen sowie die Garantie, den Kaufbeleg und die Verpackung sorgfältig auf. Geben Sie diese Anweisungen gegebenenfalls an den zukünftigen Besitzer des Geräts weiter. Befolgen Sie bei der Verwendung eines Elektrogeräts immer die grundlegenden Sicherheitshinweise und Maßnahmen zur Gefahrenvermeidung. Der Hersteller haftet nicht für Schäden, die sich aus der Nichtbeachtung dieser Anleitung durch den Benutzer ergeben.

SICHERHEITSHINWEISE

Bei der Verwendung von Elektrogeräten sind die folgenden grundlegenden Sicherheitsvorkehrungen zu beachten.

- Das Gerät darf nur zweckgebunden verwendet werden. Der Hersteller haftet nicht für Schäden, die durch unsachgemäßen Gebrauch oder falsche Handhabung entstehen.
- Verwenden Sie es nicht im Freien oder für kommerzielle Zwecke. Dieses Gerät ist nur für den Hausgebrauch bestimmt. Wird es für kommerzielle Zwecke verwendet, erlischt die Garantie.
- Trennen Sie das Gerät immer vor der Reinigung und bei Nichtgebrauch vom Stromnetz.
- Kinder sollten beaufsichtigt werden, um sicherzustellen, dass sie nicht mit dem Gerät spielen.
- Dieses Gerät darf von Kindern und Personen mit eingeschränkten körperlichen, sensorischen oder geistigen Fähigkeiten oder mangelnder Erfahrung und Kenntnis verwendet werden, wenn sie sicher überwacht oder in die Bedienung des Geräts einbezogen wurden und die damit verbundenen Gefahren verstehen.
- Tauchen Sie das Kabel, den Stecker oder das Gehäuse des Geräts niemals in Wasser oder andere Flüssigkeiten. Sollte das Gerät ins Wasser fallen, ziehen Sie sofort den Netzstecker und lassen Sie es von einem Fachmann überprüfen, bevor Sie es wieder verwenden. Es kann zu Bränden, Stromschlägen, Verletzungen oder zum Tod führen.
- Legen Sie immer die zu frittierenden Zutaten in den Korb, damit sie nicht mit den Heizelementen in Berührung kommen.
- Decken Sie den Lufterlass oder -auslass nicht ab, während das Gerät in Betrieb ist.
- Füllen Sie den Behälter nicht mit Öl, da dies eine Brandgefahr darstellen kann.
- Stellen Sie sicher, dass die Spannung und Frequenz des Stromkreises mit denen auf dem Typenschild des Gerätes übereinstimmt.
- Heben oder bedienen Sie das Gerät nicht, wenn das Netzkabel oder der Stecker beschädigt ist, oder wenn das Gerät eine Fehlfunktion aufweist oder heruntergefallen ist oder in irgendeiner Weise beschädigt wurde. Wenden Sie sich im Schadensfall an den Kundendienst. Ein beschädigtes Kabel oder Stecker darf nur vom Hersteller oder einer qualifizierten Person ausgetauscht werden, um Verletzungen zu vermeiden.
- Lassen Sie das Kabel nicht über den Rand eines Tisches oder einer Arbeitsplatte hängen. Betreiben Sie das Gerät nicht in der Nähe von heißen Oberflächen, vermeiden Sie die Nähe von offenen Feuerstellen und allen Wärme- und Zündquellen.
- Schließen Sie das Gerät nicht mit nassen Händen an und bedienen Sie es nicht.
- Schließen Sie das Gerät an eine geerdete Steckdose an und vergewissern Sie sich, dass es richtig angeschlossen ist.
- Schließen Sie dieses Gerät niemals an einen externen Timer an, um gefährliche Situationen zu vermeiden.
- Achten Sie bei der Verwendung dieses Gerätes darauf, dass oben und an allen Seiten genügend Platz für die Luftzirkulation (10 cm) vorhanden ist. Betreiben Sie das Gerät nicht, wenn es in Kontakt mit oder in der Nähe von Vorhängen, Kleidung, Handtüchern oder anderen brennbaren Materialien steht.
- Während des Betriebs des Gerätes wird heißer Dampf durch die Luftauslassöffnung

gen abgegeben. Halten Sie Hände und Gesicht in einem sicheren Abstand zu Dampf- und Luftauslassöffnungen. Achten Sie auch auf Dampf und heiße Luft, wenn Sie das Blech aus dem Gerät nehmen.

- Zugängliche Oberflächen können während des Gebrauchs heiß werden.
- Wenn dunkler Rauch aus dem Gerät austritt, ziehen Sie sofort den Netzstecker. Warten Sie, bis der Rauch nicht mehr austritt, bevor Sie das Blech aus dem Gerät nehmen.
- Bei Verwendung in der Fritteuse erwärmt sich das Blech. Tragen Sie immer Küchenschutzhandschuhe, wenn Sie das Tablett berühren.
- Stellen Sie die Fritteuse auf eine feste, gerade, ebene und hitzebeständige Oberfläche. Stellen Sie es nicht auf eine weiche Oberfläche wie z.B. einen Teppich. Stellen Sie es nicht an einen Ort, an dem es während des Betriebs umkippen kann.
- Es befinden sich keine vom Benutzer zu wartenden Teile im Inneren. Versuchen Sie nicht, dieses Produkt zu demontieren oder zu reparieren. Bitte kontaktieren Sie unseren Kundendienst.
- Lassen Sie das Gerät ca. 30 Minuten abkühlen, bevor Sie es bewegen oder reinigen.
- Achten Sie darauf, dass die in diesem Gerät zubereiteten Zutaten goldgelb statt dunkel oder braun werden. Verbranntes Essen entfernen. Frische Kartoffeln nicht über 200 °C braten (um die Acrylamidproduktion zu minimieren).

VOR DEM ERSTEN GEBRAUCH

Entfernen Sie alle Verpackungen und Aufkleber oder Etiketten vom Gerät.

Reinigen Sie Korb und Pfanne gründlich mit heißem Wasser, etwas Reinigungsmittel und einem nicht scheuernden Schwamm.

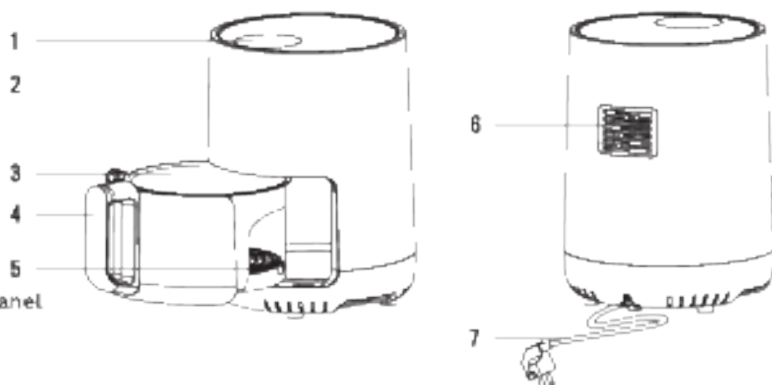
Wischen Sie das Gerät innen und außen mit einem feuchten Tuch ab.

Dies ist eine Fritteuse, die mit Heißluft betrieben wird. Füllen Sie die Fritteuse nicht mit Öl oder Bratfett.

BEREITEN SIE DAS GERÄT VOR

1. Stellen Sie die Fritteuse auf eine harte, gerade, ebene, ebene und hitzebeständige Oberfläche.
2. Legen Sie den Korb richtig in die Fritteuse.
3. Entfernen Sie das Kabel aus dem Kabelfach auf der Unterseite des Gerätes.
4. Füllen Sie den Behälter nicht mit Öl oder einer anderen Flüssigkeit.
5. Decken Sie das Gerät nicht ab, da dies den Luftstrom unterbricht und das Frittivorgang beeinflusst.

BESTANDTEILE



1. Control Panel
2. Gehäuse
3. Korb
4. Griff
5. Platte
6. Luftauslass
7. Stromkabel

SCHALTAFEL



Einschalttaste

Sobald die Friteuse und der Frittierkorb richtig auf dem Friteurkörper positioniert sind, leuchtet die Einschalttaste auf. Halten Sie die Einschalttaste 2 Sekunden lang gedrückt, um die Standardtemperatur auf 180° und die Garzeit auf 15 Minuten einzustellen. Drücken Sie sie erneut, um den Garvorgang zu starten. Halten Sie den Einschalttaster 2 Sekunden lang gedrückt, um das Gerät während des Betriebs zu stoppen. Alle Lichter erlöschen und der Ventilator stoppt.

Hinweis: Während das Gerät läuft, können Sie den Betrieb mit der Taste pausieren und starten. Die Tastenbeleuchtung blinkt während der Pause und der Lüfter schaltet sich einige Sekunden später aus. Drücken Sie die Taste erneut, um mit dem Garen fortzufahren, und die Tastenbeleuchtung leuchtet konstant.

Temperatur/Timer-Taste

Drücken Sie diese Taste, um die Temperatur- und Timereinstellungen einzugeben. Verwenden Sie die Pfeile, um die gewünschte Zeit und Temperatur einzustellen.

Funktionstasten

Sie können die Pfeile verwenden, um Zeit und Temperatur einzustellen.

Der Temperaturbereich liegt zwischen 80 °C und 200 °C.

Der Zeitbereich liegt zwischen 0 Minuten und 60 Minuten.

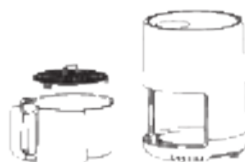
Temperaturanzeige

Timeranzeige

Lüfteranzeige

GEBRAUCHSANWEISUNG

1. Schließen Sie die Friteuse an.



2. Nehmen Sie die Pfanne vorsichtig aus der Friteuse. Legen Sie die Zutaten in den Korb.



3. Schieben Sie die Pfanne wieder in die Heißluft-Friteuse und richten Sie sie vorsichtig mit den Führungen am Gehäuse der Friteuse aus.



4. Bestimmen Sie die Vorbereitungszeit für die Zutaten (siehe Abschnitt "Einstellungen").

5. Verwenden Sie die Pfanne niemals ohne den Korb darin.

Achtung: Die Pfanne nicht während oder unmittelbar nach dem Gebrauch berühren, da sie sehr heiß wird. Halten Sie die Pfanne nur am Griff.

6. Stellen Sie die Temperatur und den Timer ein.

7. Einige Zutaten müssen während der Zubereitung entfernt werden (siehe Abschnitt "Einstellungen"). Um die Zutaten zu entfernen, nehmen Sie die Pfanne am Griff aus der Fritteuse und schütteln Sie sie vorsichtig. Dann die Pfanne wieder in die Fritteuse schieben.

8. Wenn Sie den Alarmton hören, ist die programmierte Zeit abgelaufen und der Ventilator stoppt. Entfernen Sie die Pfanne vom Gerät und legen Sie sie auf eine hitzebeständige Oberfläche.

9. Überprüfen Sie, ob die Zutaten fertig sind.

Wenn die Zutaten noch nicht fertig sind, legen Sie die Pfanne einfach wieder in das Gerät und stellen Sie den Timer auf ein paar weitere Minuten ein.

10. Um Lebensmittel (z.B. Pommes frites) zu entfernen, nehmen Sie die Pfanne aus der Heißluft-Fritteuse und stellen Sie sie auf eine hitzebeständige Oberfläche.

Stellen Sie den Korb nicht auf den Kopf, während die Pfanne noch mit ihr verbunden ist, da überschüssiges Öl, das sich möglicherweise am Boden der Pfanne angesammelt hat, in die Zutaten sickert.

Die Pfanne und die Zutaten sind heiß. Je nach Art der Speisen in der Fritteuse kann Dampf aus der Pfanne entweichen.

11. Entleeren Sie den Korb in eine Schüssel oder einen Teller.

Tipp: Um die größten oder zerbrechlichsten Zutaten zu entfernen, entfernen Sie sie mit einer Zange aus dem Korb.

12. Wenn eine Portion Lebensmittel fertig ist, ist die Fritteuse sofort bereit, eine weitere Portion zuzubereiten.

EINSTELLUNGEN

Die folgende Tabelle hilft Ihnen bei der Auswahl der Grundeinstellungen für die verschiedenen Arten von Zutaten.

Hinweis: Bitte beachten Sie, dass diese Einstellungen nur als Anhaltspunkt dienen. Zutaten mit unterschiedlichen Formen und Größen erfordern unterschiedliche Zeit- und Temperatureinstellungen.

Da die Quick Air-Technologie die Luft im Inneren des Geräts sofort erwärmt, wird das kurze Entfernen der Bratpfanne aus dem Gerät während des Betriebs den Prozess kaum verändern.

TIPPS

- Kleinere Zutaten benötigen in der Regel eine etwas kürzere Zubereitungszeit als größere Zutaten. Wie große Mengen an Lebensmitteln benötigen sie eine etwas längere Zubereitungszeit als kleinere Mengen an Lebensmitteln.
- Um das Endergebnis zu optimieren und das Essen gleichmäßig zu kochen, schütteln Sie die Pfanne vorsichtig nach der Hälfte des Zubereitungsprozesses.
- Frische Kartoffeln vor dem Braten leicht mit etwas Öl bestreichen, um ein knusprigeres Ergebnis zu erzielen.
- Bereiten Sie in der Heißluft-Fritteuse keine extrem fettigen Zutaten wie z.B. Würstchen zu.
- Vorspeisen, die im Ofen zubereitet werden können, können auch in der Heißluft-Fritteuse zubereitet werden.
- Die optimale Menge für knusprige Pommes frites beträgt 500 Gramm.
- Der im Supermarkt gekaufte Teig erfordert eine kürzere Zubereitungszeit als selbstgemachter Teig.
- Wenn Sie einen Kuchen, eine Quiche, einen Muffin oder delikate, gefüllte Zutaten backen möchten, können Sie Silikon-Muffinformen und Silikonmatten in das Gerät einsetzen.
- Sie können die Heißluft-Fritteuse auch zum Aufwärmen von Speisen verwenden. Stellen Sie einfach die Temperatur für 10 Minuten auf 150 °C ein.

	MENGE (G)	ZEIT (MIN.)	TEMP. (°C)	SCHÜTTLEN	ZUSÄTZL. INFO.
KARTOFFELN & POMMES FRITES					
Dünne Pommes frites	200-300	18-20	200	Ja	
Dicke Pommes frites	200-300	20-25	200	Ja	
Kartoffelgratin	300	20-25	200	Ja	
FLEISCH UND GEFLÜGEL					
Steak	100-500	10-15	180		
Schweinekoteletts	100-300	10-15	180		
Hamburger	100-300	10-15	180		
Würstchen im Schlafrack	100-300	13-15	200		
Trommelsteaks	100-500	25-30	180		
Hühner Brust	100-300	15-20	180		
VORSPEISEN					
Frühlingsrollen	100-250	8-10	200	Ja	Benutzen Sie die die für den Ofen geeignet sind
Gefrorene Hühner-nuggets	100-300	6-10	200	Ja	Benutzen Sie die die für den Ofen geeignet sind

	MENGE. (G)	ZEIT (MIN.)	TEMP. (°C)	SCHÜTTLEN	ZUSÄTZL. INFO.
Gefrorene Fischstäbchen	100-250	6-10	200		Benutzen Sie die die für den Ofen geeignet sind
Gefrorenes Brot zerbröckeltes Käsesnacks	100-250	8-10	180		Benutzen Sie die die für den Ofen geeignet sind
Gefülltes Gemüse	100-250	10	160		

BACKEN

Kuchen	250	20-25	160		Backform verwenden
Quiche	300	20-22	180		Backform verwenden
Muffin	250	15-18	200		Backform verwenden
Süßspeisen	250	20	160		Backform verwenden

Hinweis: Wenn Sie Ihre Fritteuse nicht vorgewärmt haben, erhöhen Sie die Vorbereitungszeit um 3 Minuten, damit sich Ihr Gerät aufwärmen kann.

REINIGUNG UND WARTUNG

Reinigen Sie das Gerät nach jedem Gebrauch.

Die Pfanne, das Blech, der Abstandshalter, der Korb und die Innenseite des Gerätes sind antihaftbeschichtet. Verwenden Sie zur Reinigung keine Metallschwämme- oder Werkzeug oder scheuernde Reinigungsmittel, da dies die Antihaftbeschichtung beschädigen könnte.

1. Ziehen Sie den Netzstecker und lassen Sie das Gerät abkühlen.

Hinweis: Entfernen Sie die Pfanne, damit die Fritteuse schneller abkühlen kann.

2. Wischen Sie die Außenseite des Gerätes mit einem feuchten Tuch ab.

3. Reinigen Sie die Pfanne, das Tablett, den Separator und den Korb mit heißem Wasser, etwas Reinigungsmittel und einem nicht scheuernden Schwamm. Sie können eine Entfettungslösung verwenden, um die verbleibenden Rückstände zu entfernen.

Hinweis: Pfanne, Blech, Separator und Korb sind spülmaschinenfest.

Tipp: Wenn Lebensmittel am Korb, Blech oder Boden der Pfanne haften bleiben, füllen Sie die Pfanne mit heißem Wasser und etwas Reinigungsmittel. Legen Sie den Korb in die Pfanne und lassen Sie ihn ca. 10 Minuten einweichen.

4. Reinigen Sie das Heizelement mit einer Reinigungsbürste, um Lebensmittelreste zu entfernen.

Ziehen Sie den Netzstecker Ihrer Fritteuse und vergewissern Sie sich, dass alle Teile sauber und trocken sind, bevor Sie das Gerät lagern.

PROBLEMLÖSUNG

PROBLEM	URSACHE	LÖSUNG
Die Heißluft-Fritteuse funktioniert nicht.	Das Gerät ist nicht eingeschleckt. Sie haben den Timer nicht eingestellt.	Schließen Sie das Gerät an eine geerdete Steckdose an. Um das Gerät einzuschalten, verwenden Sie die Timertaste, um die Uhrzeit einzustellen.
Die Zutaten sind nicht gebräunt.	Es ist zu viel Essen im Korb. Die eingestellte Temperatur ist zu niedrig.	Entfernen Sie etwas Essen. Kleinere Chargen werden gleichmäßiger gebräunt. Wählen Sie die gewünschte Temperatur aus (siehe Abschnitt "Einstellungen").
Die Zutaten werden nicht gleichmäßig gebräunt.	Die Vorbereitungszeit ist zu kurz. Einige Arten von Inhaltsstoffen müssen auf halbem Weg durch den Zubereitungsprozess entfernt werden.	Warten Sie die gewünschte Zeit aus (siehe Abschnitt "Einstellungen"). Entfernen Sie die Pfanne vom Hauptkörper und schütteln Sie sie vorsichtig nach der Hälfte des Zubereitungsprozesses.
Hi-Werte Snacks sind nicht knusprig, wenn sie aus der Fritteuse kommen.	Sie haben eine Art Snack verwendet, der in einer traditionellen Fritteuse zubereitet werden sollte.	Verwenden Sie Snacks die für den Ofen oder streichen Sie die Zutaten leicht mit etwas Öl ein, um ein knusprigeres Ergebnis zu erzielen.
Die Pfanne passt nicht richtig in das Gerät.	Da ist zu viel Essen in der Schale. Der Korb ist nicht richtig in der Pfanne platziert.	Entferne etwas Essen. Kleinere Chargen bräun gleichmäßiger. Schieben Sie den Korb nach unten in das Fach, bis Sie ein Klicken hören.
Weißer Rauch entweicht aus dem Gerät.	Es werden fettreiche Zutaten zubereitet. Die Pfanne enthält noch Fettreste aus einer früheren Verwendung.	Wenn Sie fettige Zutaten in der Luftfritteuse braten, läuft eine große Menge Öl in die Pfanne. Das Öl erzeugt weißen Rauch und die Pfanne kann sich mehr als normal erwärmen. Dies hat keinen Einfluss auf die Leistung oder das Endergebnis. Weißer Rauch wird durch die Erwärmung des Fetts in der Pfanne verursacht. Achten Sie darauf, dass Sie die Pfanne nach jedem Gebrauch gründlich reinigen.
Frische Pommes frites werden nicht gleichmäßig gebräunt.	Sie haben die Kartoffeln nicht gut gewaschen, bevor sie gebräunt wurden.	Kartoffeln gut abspülen, um die gesamte Stärke von außen zu entfernen.
Frische Pommes frites sind nicht knusprig, wenn sie aus der Fritteuse kommen.	Die knackige Textur von Pommes frites hängt von der Menge an Öl und Wasser ab, die sie enthalten.	Die Kartoffeln in kleinere Stücke schneiden, um ein knusprigeres Ergebnis zu erzielen. Fügen Sie etwas mehr Öl hinzu, um ein knusprigeres Ergebnis zu erzielen.



In Übereinstimmung mit den Richtlinien 2012/19 / EU und 2014/53 / EU über die Beschränkung der Verwendung gefährlicher Stoffe in elektrischen und elektronischen Geräten sowie deren Abfallentsorgung. Das Symbol mit der gekreuzten Mülltonne auf der Verpackung weist an, dass das Produkt am Ende seiner Nutzungsdauer als separates Abfallprodukt behandelt wird. Daher muss jedes Produkt, das das Ende seiner Nutzungsdauer erreicht hat, an spezielle Abfallentsorgungsstellen zur selektiven Sammlung von elektrischen und elektronischen Abfallgeräten geliefert oder beim Kauf ähnlicher neuer Geräte an den Einzelhändler zurückgegeben werden für eine Basis. Die ordnungsgemäße gemeinsame Sammlung für die spätere Inbetriebnahme von Geräten, die zum umweltfreundlichen Recycling, zur Behandlung und Entsorgung weggeworfen werden, trägt dazu bei, mögliche negative Auswirkungen auf Umwelt und Gesundheit zu vermeiden und das Recycling und die Wiederverwendung zu optimieren. Die Komponenten, aus denen das Gerät besteht, die umweltfreundliche Beschädigung des Produkts durch den Benutzer impliziert die Anwendung von Verpackungsfunktionen in Übereinstimmung mit den Anweisungen.

NEDERLANDS

Bedankt voor het kiezen van onze heteluchtfriteuse. Lees deze instructies zorgvuldig door voordat u het apparaat in gebruik neemt.

De hierin opgenomen veiligheidsmaatregelen verminderen het risico op overlijden, letsel en elektrische schokken bij correcte naleving. Bewaar de handleiding op een veilige plaats voor toekomstig gebruik, samen met de ingevulde garantiekaart, aankoopbon en pakket. Geef deze instructies indien van toepassing door aan de volgende eigenaar van het apparaat. Volg altijd de basis veiligheidsmaatregelen en ongevalpreventiemaatregelen bij het gebruik van een elektrisch apparaat. Wij aanvaarden geen aansprakelijkheid voor klanten die niet aan deze vereisten voldoen.

BEVEILIGINGSINSTRUCTIES

Wanneer u een elektrisch apparaat gebruikt, moeten altijd de fundamentele veiligheidsmaatregelen in acht worden genomen.

- Het apparaat mag alleen worden gebruikt voor de beoogde doeleinden. De fabrikant is niet verantwoordelijk voor schade als gevolg van onjuist gebruik of verkeerde behandeling.
- Gebruik niet buitenshuis of voor commerciële doeleinden. Dit apparaat is uitsluitend bedoeld voor huishoudelijk gebruik. Bij gebruik van het apparaat voor commerciële doeleinden vervalt de garantie.
- Haal altijd de stekker uit het stopcontact voor het schoonmaken en wanneer het niet in gebruik is.
- Kinderen moeten onder toezicht staan om ervoor te zorgen dat ze niet met het apparaat spelen.
- Dit apparaat kan worden gebruikt door kinderen en personen met verminderde fysieke, zintuiglijke of mentale vermogens of gebrek aan ervaring en kennis als ze onder toezicht staan of instructies hebben gekregen over het veilige gebruik van het apparaat en de gevaren begrijpen.
- Dompel het snoer, de stekker of het hoofdgedeelte van het apparaat nooit onder in water of andere vloeistoffen. Mocht het apparaat in het water vallen, haal dan onmiddellijk de stekker uit het stopcontact en laat het apparaat nakijken door een deskundige alvorens het opnieuw te gebruiken. Dit kan brand, elektrische schokken, letsel of de dood veroorzaken.
- Leg de ingrediënten die je wilt frituren altijd in de mand om te voorkomen dat deze in aanraking komt met de verwarmingselementen.
- Dek de luchtinlaat en de luchtuitlaat niet af terwijl het apparaat in werking is.
- Vul de pan niet met olie, dit kan brandgevaar opleveren.
- Zorg ervoor dat het voltage aangegeven op de technische specificatie overeenkomt met de netspanning voordat u het apparaat aansluit.
- Pak het apparaat niet op en gebruik het niet als het netsnoer of de stekker beschadigd zijn, of als het apparaat niet goed werkt, is gevallen of op enigerlei wijze is beschadigd. Neem in geval van schade contact op met de klantenservice. Een beschadigd snoer of stekker mag uitsluitend worden vervangen door de fabrikant of een gekwalificeerd persoon om letsel te voorkomen.
- Laat het snoer niet over de rand van een tafel of tafelblad hangen. Gebruik het apparaat niet in de buurt van hete oppervlakken, vermijd de nabijheid van open vuur en alle soorten warmte en ontstekingsbronnen.
- Sluit het apparaat niet aan en bedien het niet met natte handen.
- Sluit het apparaat alleen aan op een geaard stopcontact. Zorg er altijd voor dat het goed is aangesloten.
- Sluit dit apparaat nooit aan op een externe tidschakelaar om gevaarlijke situaties te vermijden.
- Zorg er bij het gebruik van dit apparaat voor dat er boven en aan alle kanten voldoende ruimte is voor luchtcirculatie (10 cm). Gebruik het apparaat niet als het aanraakt of als het in de buurt is van gordijnen, kleding, handdoeken of andere brandbare materialen.
- Terwijl het apparaat aan de lucht bakt, komt er hete stoom vrij via de luchtuitlaatopeningen. Houd uw handen en gezicht op veilige afstand van de stoom en van de luchtuitlaatopeningen. Wees ook voorzichtig met hete stoom en lucht wanneer u de

pan uit het apparaat haalt.

- De toegankelijke oppervlakken kunnen tijdens gebruik heet worden.
- Als u donkere rook uit het apparaat ziet komen, trek dan onmiddellijk de stekker uit het stopcontact. Wacht tot de rook niet meer naar buiten komt voordat u de pan uit het apparaat haalt.
- De bakplaat wordt heet bij gebruik in de heteluchtfriteuse. Gebruik altijd overwanten bij het hanteren van de bakplaat.
- Plaats de heteluchtfriteuse op een harde, vlakke, vlakke, hittebestendige ondergrond. Plaats het niet op een zacht oppervlak zoals een tapijt. Plaats het niet op een plaats waar het tijdens gebruik kan omvallen.
- Het bevat geen onderdelen die door de gebruiker kunnen worden onderhouden. Probeer dit product niet uit elkaar te halen of te repareren. Neem dan contact op met onze aftersales-service.
- Laat het apparaat ca. 30 minuten voordat u het verplaatst of schoonmaakt.
- Zorg ervoor dat de ingrediënten die in dit apparaat zijn bereid, goudgeel zijn in plaats van donker of bruin. Verwijder al het verbrande voedsel. Frituur verse aardappelen niet op een temperatuur boven 200° (om de aanmaak van acrylamide te minimaliseren).

VOOR HET EERSTE GEBRUIK

Verwijder alle verpakkingsmaterialen en eventuele stickers of labels van het apparaat. Maak de mand en pan grondig schoon met heet water, wat afwasmiddel en een niet-schurende spons.

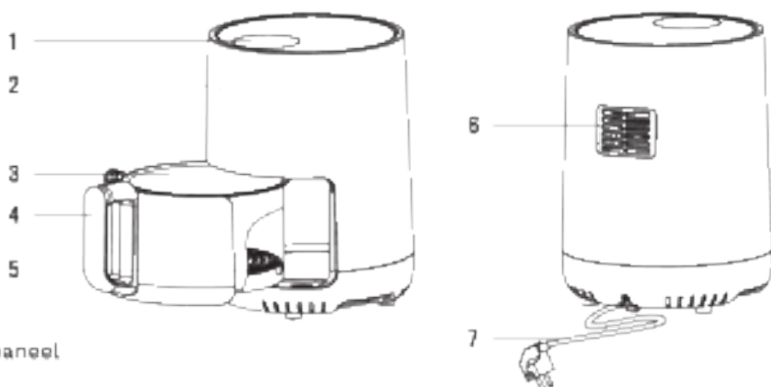
Veeg de binnen- en buitenkant van het apparaat af met een vochtige doek.

Dit is een hetelucht friteuse die werkt op hete lucht. Vul de pan niet met olie of frituurvet.

HET APPARAAT VOORBEREIDEN

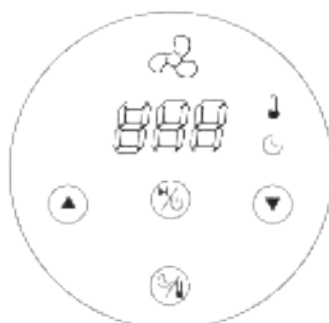
1. Plaats de heteluchtfriteuse op een harde, vlakke, vlakke hittebestendige ondergrond.
2. Plaats de mand goed in de pan.
3. Trek het snoer uit het snoeropbergvak aan de onderkant van het apparaat.
4. Vul de pan niet met olie of andere vloeistoffen.
5. Dek het apparaat niet af, aangezien dit de luchtstroom verstoort en het frituurresultaat met hete lucht beïnvloedt.

ONDERDELEN LIJST



1. Controlepaneel
2. Behuizing
3. Mand
4. Handvat van mand
5. Dienblad
6. Luchtuitlaat
7. Stroomdraad

CONTROLEPANEEL



Aanknop

Zodra de pan en de frituurmand correct in de hoofdeenheid zijn geplaatst, gaat de aan / uit-knop branden. Houd de aan / uit-knop 2 seconden ingedrukt om (standaard) de temperatuur in te stellen op 180 °C en de kooktijd op 15 minuten. Druk er nogmaals op om het kookproces te starten. Houd de aan / uit-knop 2 seconden ingedrukt om het apparaat tijdens gebruik te stoppen. Alle lampjes gaan uit en de ventilator stopt met werken.

Notitie: Terwijl het apparaat in werking is, kunt u de knop gebruiken om te pauzeren en de werking te starten. Het knoplampje knippert terwijl het is gepauzeerd en de ventilator wordt een paar seconden later uitgeschakeld. Druk nogmaals op de knop om door te gaan met koken en het knoplampje blijft constant branden.

Knop voor temperatuur / timer

Druk op deze knop om de temperatuur en timerconfiguratie in te voeren. Gebruik de pijlen om de gewenste tijd en temperatuur in te stellen.

Bedieningstoetsen

U kunt de pijlen gebruiken om de tijd en temperatuur in te stellen.

Het temperatuurbereik is 80 °C tot 200 °C.

Het tijdsbereik is 0 minuten tot 60 minuten.

 Temperatuurindicator

 Timer-indicator

 Ventilatorindicator

HANDLEIDING

1. Sluit het apparaat aan.



2. Trek de pan voorzichtig uit de fritouse.



3. Doe de ingrediënten in de mand.



- Schuif de pan terug in de heteluchtfriteuse en lijk deze voorzichtig uit met de geleiders in de behuizing van de friteuse.
- Bepaal de vereiste bereidingstijd voor de ingrediënten (raadpleeg het gedeelte 'Instellingen').

Gebruik de pan nooit zonder de mand erin.

Voorzichtigheid: Raak de pan niet aan tijdens en direct na gebruik, omdat deze erg heet wordt. Houd de pan alleen vast bij het handvat.

- Stel uw gewenste tijd en temperatuur in.
- Sommige ingrediënten moeten halverwege het bereidingsproces worden geroerd (raadpleeg het gedeelte 'Instellingen'). Om de ingrediënten te roeren, trekt u de pan aan het handvat uit het apparaat en schudt u hem zachtjes. Schuif de pan vervolgens terug in de friteuse.
- Wanneer u het zoernalarm hoort, betekent dit dat de ingestelde bereidingstijd is verstreken. Op dit moment stopt de ventilator met werken en kunt u de pan uit het apparaat trekken en op een hittebestendig oppervlak plaatsen.
- Controleer of de ingrediënten klaar zijn.

Als de ingrediënten nog niet klaar zijn, schuif je de pan gewoon terug in het apparaat en stel je de timer in op een paar extra minuten.

- Om het voedsel (bijv. Frites) te verwijderen, trekt u de pan uit de heteluchtfriteuse en plaatst u deze op een hittebestendig oppervlak.

Draai de mand niet ondersteboven terwijl de pan er nog aan vastzit, omdat overtollige olie zich heeft verzameld de bodem van de pan lekt op de ingrediënten.

De pan en de ingrediënten zijn heet. Afhankelijk van het soort voedsel in de friteuse kan er stoom uit de pan ontsnappen.

- Leeg de mand in een kom of op een bord.

Tip: Om grote of kwetsbare ingrediënten te verwijderen, tilt u de ingrediënten met een tang uit de mand.

- Wanneer een batch ingrediënten is gekookt, is de heteluchtfriteuse direct klaar voor het bereiden van nog een batch.

INSTELLINGEN

De volgende tabel helpt u bij het selecteren van de basisinstellingen voor de verschillende soorten ingrediënten.

Notitie: Houd er rekening mee dat deze instellingen illustratief zijn. Voor ingrediënten met verschillende vormen en maten zijn verschillende tijd- en temperatuurinstellingen nodig.

Aangezien de Quick-Air-technologie de lucht in het apparaat onmiddellijk opnieuw opwarmt, zal het kort uittrekken van de pan tijdens het gebruik het proces nauwelijks verstoren.

TIPS

- Kleinere ingrediënten hebben doorgaans een iets kortere bereidingstijd nodig dan grotere ingrediënten. Evenals grotere hoeveelheden voedsel een iets langere bereidingstijd vergen dan kleinere hoeveelheden voedsel.
- Door halverwege de bereiding kleinere ingrediënten zachtjes te schudden, wordt het eindresultaat geoptimaliseerd en kan ongelijkmatig gebakken voedsel worden voorkomen.
- Smeer uw verse aardappelen licht in met wat olie voordat u ze bakt voor een krokanter resultaat.
- Bereid geen extreem vette ingrediënten, zoals worstjes, in de heteluchtfriteuse.
- Snacks die in een oven kunnen worden bereid, kunnen ook in de heteluchtfriteuse worden bereid.
- De optimale hoeveelheid voor het bereiden van krokante frites is 300 gram.
- In de winkel gekocht deeg vereist een kortere bereidingstijd dan zelfgemaakt deeg.
- U kunt siliconen muffinvormpjes en siliconenvoeringen in het apparaat plaatsen als u een cake, een quiche, cupcakes of delicate en gevulde ingrediënten wilt bakken.
- U kunt de heteluchtfriteuse ook gebruiken om voedsel op te warmen. Stel de temperatuur gewoon maximaal 10 minuten in op 160 °C.

	BEDRAG (G)	TIJD (MIN.)	TEMP. (°C)	SCHUDEN	INFO. EXTRA
AARDAPPELCHIPS					
Dunne bevroren frites	200-300	18-20	200	Ja	
Dikke bevroren frites	200-300	20-25	200	Ja	
Aardappelgratin	300	20-25	200	Ja	
VLEES & GEVOGELTE					
Seak	100-300	10-15	180		
Varkenskotletten	100-300	10-15	180		
Hamburger	100-300	10-15	180		
Worstebroodje	100-300	13-15	200		
Drumsticks	100-300	25-30	180		
Kipfilet	100-300	15-20	180		
SNACKS					
Loempia's	100-250	8-10	200	Ja	Gebruik ovenklaar
Bevroren kipnuggets	100-300	6-10	200	Ja	Gebruik ovenklaar
Bevroren visstoks	100-250	6-10	200		Gebruik ovenklaar
Bevroren broodkruimel snacks	100-250	8-10	180		Gebruik ovenklaar

	BEDRAG (G)	TIJD (MIN.)	TEMP. (°C)	SCHUDEN	INFO. EXTRA
Gebruik bakvorm	100-250	10	180		
GEBAKKEN					
Taart	250	20-25	180		Gebruik bakvorm
Quiche	300	20-22	180		Gebruik bakvorm
Muffins	250	15-18	200		Gebruik bakvorm
Zoete snacks	250	20	180		Gebruik bakvorm

Notitie: Als u uw heteluchtfriteuse nog niet heeft voorverwarmd, voegt u 3 minuten toe aan de bereidingstijd zodat uw apparaat kan opwarmen.

SCHOONMAAK EN ONDERHOUD

Maak het apparaat na elk gebruik schoon.

De pan, bakplaat, separator, mand en de binnenkant van het apparaat zijn voorzien van een antiaanbaklaag. Gebruik geen metalen keukengerel of schurende schoonmaakmiddelen om ze schoon te maken, omdat dit de antiaanbaklaag kan beschadigen.

1. Koppel het apparaat los en laat het afkoelen.

Notitie: Verwijder de pan om de heteluchtfriteuse sneller te laten afkoelen.

2. Veeg de buitenkant van het apparaat af met een vochtige doek.

3. Maak de pan, bakplaat, separator en mand schoon met heet water, wat afwasmiddel en een niet schurende spons.

U kunt een vetverwijderingsvloeistof gebruiken om alle achtergebleven resten te verwijderen.

Notitie: De pan, bakplaat, separator en mand zijn vaatwasmachinebestendig.

Tip: Als er voedsel aan de mand, de bakplaat of de bodem van de pan vastzit, vul de pan dan met heet water met wat afwasmiddel. Zet de mand in de pan en laat ze ongeveer 10 minuten intrekken.

4. Reinig het verwarmingselement met een schoonmaakborstel om voedselresten te verwijderen.

Koppel uw heteluchtfriteuse los en zorg ervoor dat alle onderdelen schoon en droog zijn voordat u het apparaat opbergt.

PROBLEEMOPLOSSEN

PROBLEEM	DOORZAAK	OPLOSSING
De hete lucht/friteuse werkt niet.	1. Het apparaat is niet aangesloten.	Sluit het apparaat aan op een geaard stopcontact.
	U heeft de timer niet ingesteld.	Om het apparaat in te schakelen, gebruikt u de timerbesturingsknop en de pijlen om de verwelkte bereidingstijd in te stellen.
De ingrediënten zijn niet gaar.	Er zit zoveel voedsel in de mand.	Verwijder wat eten. Kleinere batches bakken gelijkmatiger.
	De ingestelde temperatuur is te laag.	Programmeer de temperatuur op een hogere instelling.
De ingrediënten zijn ongelijk gebakken.	De voorbereidingstijd is te kort.	Stel meer tijd in om het voedsel volledig te laten koken.
	Bepaalde soorten ingrediënten moeten halverwege de bereidingstijd worden geroerd.	Haal de pan van het hoofdgedeelte en schud hem halverwege het bereidingsproces zachtjes.
Gebakken snacks zijn niet krokant.	De snacks waren bedoeld voor een traditionele friteuse.	Gebruik oversnacks of smeer de ingrediënten licht in vet olie voor een krokant resultaat.
De pan past niet goed in het apparaat.	Te veel eten in de mand.	Verwijder wat eten. Kleinere batches bakken gelijkmatiger.
	De mand is niet correct geplaatst.	Druk de mand in de pan totdat hij klikt.
	Je bereidt vette ingrediënten voor.	Wanneer je vette ingrediënten in de hete lucht friteuse bakt, lekt er een grote hoeveelheid olie in de pan en ontstaat er witte rook. Dit heeft geen invloed op de prestaties of het eindresultaat.
Er komt witte rook uit het apparaat.	Er is vet van een eerder gebruik.	Zorg ervoor dat je de pan na elk gebruik goed schoonmaakt.
	Je hebt de frites niet goed gespoeld voordat je ze bakte.	Spoel de frites goed af om al het zetmeel van de buitenkant te verwijderen.
Verse frites worden ongelijkmatig gebakken.	De krokantheid van de frites is afhankelijk van de hoeveelheid olie en water in de frites.	Snijdt de aardappel kleiner en voeg iets meer olie toe voor een krokant resultaat.



In overeenstemming met de richtlijn(en): 2012/19 / EU en 2015/863 / EU betreffende de beperking van het gebruik van gewarmluchte apparaten en elektrische apparaten, waarbinnen afvalverwerking. Het symbool met de gekruiste vuilnisbak op de verpakking geeft aan dat het product aan het einde van zijn levensduur als gescheiden afval wordt ingesameld. Daarom moet elk product dat het einde van zijn levensduur heeft bereikt, worden afgeleverd bij gespecialiseerde afvalverwerkingscentra voor de afvalverwerking van afgedankte elektrische apparaten, of bij de aankoop van soortgelijke nieuwe apparaten in één keer aan de afvalverwerker worden geleverd, met het label: Een juiste gescheiden inzameling voor betere afvalverwerking van apparaten die worden verzameld om te worden gerecycled, behandeld en op milieuvriendelijke wijze afgevoerd, helpt mogelijke negatieve effecten op het milieu en de gezondheid te voorkomen en optimaliseert recycling en het gebruik van de componenten waaruit het apparaat bestaat... De onschijnlijke afvalverwerking van het product door de gebruiker impliceert de toepassing van extra kosten aan de afvalverwerking nadat de afvalverwerker het heeft ontvangen.

Dziękujemy za wybranie naszej frytkownicy. Przed użyciem urządzenia i w celu zapewnienia najlepszego użytkownika należy uważnie przeczytać tę instrukcję.

Środki ostrożności zawarte w niniejszym dokumencie zmniejszają ryzyko śmierci, obrażeń i porażenia prądem, jeśli są odpowiednio przestrzegane. Przechowuj Instrukcję w bezpiecznym miejscu do wykorzystania w przyszłości, wraz z wypełnioną kartą gwarancyjną, dowodem zakupu i paczką. Jeśli dotyczy, przekaz te Instrukcje następnemu właścicielowi urządzenia. Podczas korzystania z urządzenia elektrycznego należy zawsze przestrzegać podstawowych zasad bezpieczeństwa i środków zapobiegania wypadkom. Nie ponosimy żadnej odpowiedzialności za niespełnienie przez klienta tych wymagań.

INSTRUKCJE BEZPIECZEŃSTWA

Podczas korzystania z dowolnego urządzenia elektrycznego należy zawsze przestrzegać podstawowych zasad bezpieczeństwa.

- Z urządzenia można korzystać wyłącznie zgodnie z przeznaczeniem. Producent nie ponosi odpowiedzialności za szkody wynikające z niewłaściwego użytkownika lub niewłaściwej obsługi.
- Nie używaj na zewnątrz lub w celach komercyjnych. To urządzenie jest przeznaczone wyłącznie do użytku domowego. Używanie urządzenia do celów komercyjnych spowoduje utratę gwarancji.
- Zawsze odłączaj urządzenie od zasilania przed czyszczeniem i kiedy nie jest używane.
- Dzieci powinny być nadzorowane, aby nie bawiły się urządzeniem.
- To urządzenie może być używane przez dzieci i osoby o ograniczonych zdolnościach fizycznych, sensorycznych lub umysłowych lub bez doświadczenia i wiedzy, jeśli zostały one nadzorowane lub otrzymały Instrukcje dotyczące bezpiecznego korzystania z urządzenia i rozumieją związane z tym zagrożenia.
- Nigdy nie zanurzaj przewodu, wtyczki ani głównego korpusu urządzenia w wodzie lub innych cieczach. Jeśli urządzenie wpadnie do wody, należy natychmiast odłączyć je od zasilania i zlecić sprawdzenie urządzenia ekspertowi przed ponownym użyciem. Może to spowodować pożar, porażenie prądem, obrażenia lub śmierć.
- Zawsze wkładaj do koszyka składniki, które chcesz usmażyć, aby nie miały kontaktu z elementami grzewczymi.
- Nie zakrywaj wlotu i wylotu powietrza podczas pracy urządzenia.
- Nie napełniaj patelni olejem, ponieważ może to spowodować zagrożenie pożarowe.
- Upewnij się, że napięcie wskazane w specyfikacji technicznej odpowiada napięciu sieciowemu przed podłączeniem urządzenia.
- Nie podnosić ani nie obsługiwać urządzenia, jeśli przewód zasilający lub wtyczka są uszkodzone lub jeśli urządzenie działa nieprawidłowo, zostało upuszczone lub w jakikolwiek sposób uszkodzone. W przypadku uszkodzenia skontaktuj się z serwisem posprzedażnym. Uszkodzony przewód lub wtyczkę musi wymienić wyłącznie producent lub wykwalifikowana osoba, aby uniknąć obrażeń.
- Nie pozwól, aby przewód zwisał nad krawędzią stołu lub ławki. Nie używaj urządzenia w pobliżu gorących powierzchni, unikaj bliskości otwartego ognia i wszelkiego rodzaju ciepła i źródeł zapłonu.
- Nie podłączaj ani nie obsługuj urządzenia mokrymi rękami.
- Podłączaj urządzenie tylko do uzziemionego gniazdka. Zawsze upewnij się, że jest prawidłowo podłączony.
- Nigdy nie podłączaj urządzenia do zewnętrznego wyłącznika czasowego, aby uniknąć niebezpiecznych sytuacji.
- Podczas korzystania z tego urządzenia upewnij się, że nad i ze wszystkich stron jest wystarczająco dużo miejsca na cyrkulację powietrza (10 cm). Nie używaj urządzenia, jeśli dotyka lub znajduje się w pobliżu zaston, odzieży, rękawików lub innych łatwopalnych materiałów.
- Podczas smażenia powietrze przez otwory wylotowe powietrza uwalniana jest gorąca para. Trzymaj ręce i twarz w bezpiecznej odległości od pary i otworów wylotowych powietrza. Podczas wyjmowania patelni z urządzenia należy również uważać na go-

- rącą parę i powietrze.
- Dostępne powierzchnie mogą się nagrzewać podczas użytkowania.
- Jeśli zauważysz ciemny dym wydobywający się z urządzenia, natychmiast je odłącz. Poczekaj, aż dym przestanie wydobywać się, zanim wyjmiesz patelnię z urządzenia.
- Blacha do pieczenia nagrzewa się, gdy jest używana w frytkownicy. Podczas obsługi blach do pieczenia zawsze używaj rękawic kuchennych.
- Ustaw frytownicę na twardej, płaskiej, poziomej i odpornej na ciepło powierzchni. Nie umieszczaj go na miękkiej powierzchni, takiej jak dywan. Unikaj umieszczania go w miejscu, w którym mógłby się przewrócić podczas pracy.
- Wewnątrz nie ma części, które mogłyby być naprawiane przez użytkownika. Nie próbuj rozmontowywać ani naprawiać tego produktu. Skontaktuj się z naszym serwisem posprzedażnym.
- Pozostaw urządzenie do ostygnięcia przez ok. 30 minut przed przeniesieniem lub wyczyszczeniem.
- Upewnij się, że składniki przygotowane w tym urządzeniu są złocistożółte zamiast ciemnego lub brązowego. Usuń przypalone jedzenie. Nie smaż świeżych ziemniaków w temperaturze powyżej 200° (aby zminimalizować produkcję akrylamidu).

PRZED PIERWSZYM UŻYCIEM

Usuń wszystkie elementy opakowania oraz wszelkie naklejki lub etykiety z urządzenia. Dokładnie wyczyść kosz i patelnię gorącą wodą, płynem do mycia naczyń i nieścierającą gąbką.

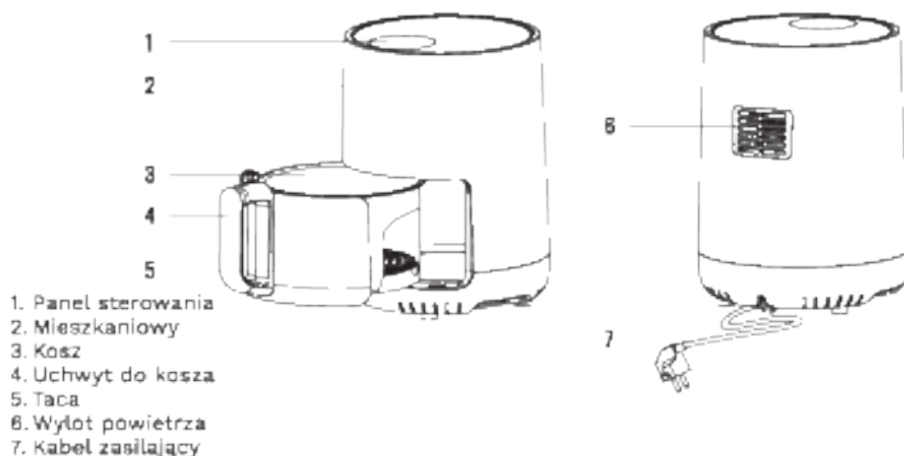
Wytrzyj wnętrze i obudowę urządzenia wilgotną ściereczką.

To frytkownica powietrzna działająca na gorącym powietrzu. Nie napełniaj patelni olejem ani tłuszczem do smażenia.

PRZYGOTOWANIE URZĄDZENIA

1. Ustaw frytownicę na twardej, płaskiej, poziomej powierzchni żaroodpornej.
2. Prawidłowo umieść kosz na patelni.
3. Wyciągnij przewód ze schowka na przewód na spodzie urządzenia.
4. Nie napełniaj patelni olejem ani innym płynem.
5. Nie zakrywaj urządzenia, ponieważ zakłóca ono przepływ powietrza i wpływa na efekt smażenia gorącym powietrzem.

LISTA CZĘŚCI



PANEL STEROWANIA



Przycisk zasilania

Po prawidłowym umieszczeniu patelni i kosza do smażenia w jednostce głównej, przycisk zasilania zaświeci się. Naciśnij i przytrzymaj przycisk zasilania przez 2 sekundy, aby ustawić (domyślnie) temperaturę na 180 ° C, a czas gotowania na 15 minut. Naciśnij ponownie, aby rozpocząć proces gotowania. Naciśnij i przytrzymaj przycisk zasilania przez 2 sekundy, aby zatrzymać urządzenie podczas pracy. Wszystkie światła zgasną, a wentylator przestanie działać.

Uwaga: Gdy urządzenie pracuje, możesz użyć przycisku, aby wstrzymać i rozpocząć pracę. Kontrolka przycisku będzie migać podczas pauzy, a wentylator wyłączy się kilka sekund później. Ponownie naciśnij przycisk, aby kontynuować gotowanie, a kontrolka przycisku będzie się świecić światłem ciągłym.

Przycisk temperatury / timera

Naciśnij ten przycisk, aby przejść do konfiguracji temperatury i timera. Za pomocą strzałek ustaw żądany czas i temperaturę.

Przyciski sterujące

Możesz użyć strzałek, aby ustawić czas i temperaturę.

Zakres temperatur wynosi od 80 °C do 200 °C.

Zakres czasu wynosi od 0 minut do 60 minut.

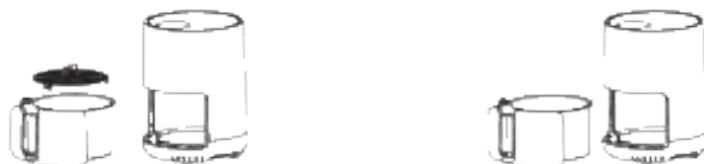
 Wskaźnik temperatury

 Wskaźnik timera

 Wskaźnik wentylatora

INSTRUKCJA OBSŁUGI

1. Podłącz urządzenie.



2. Ostrożnie wyciągnij patelnię z frytkownicy.

3. Umieść składniki w koszu.



4. Wsuń patelnię z powrotem do frytkownicy na gorące powietrze, wyrównując ją z prowadzicami w korpusie frytkownicy.

5. Określ wymagany czas przygotowania składników (patrz sekcja „Ustawienia”).

Nigdy nie używaj patelni bez kosza.

Uwaga: Nie dotykaj patelni podczas i bezpośrednio po użyciu, ponieważ robi się bardzo gorąco. Patelnię należy trzymać tylko za uchwyt.

6. Ustaw żądany czas i temperaturę.

7. Niektóre składniki wymagają mieszania w połowie procesu przygotowywania (patrz sekcja „Ustawienia”). Aby wymieszać składniki, wyciągnij patelnię z urządzenia za uchwyt i delikatnie ją potrząśnij. Następnie wsuń patelnię z powrotem do frytkownicy.

8. Gdy usłyszysz sygnał dźwiękowy alarmu, oznacza to, że upłynął ustawiony czas przygotowania. W tym momencie wentylator przestanie działać i będziesz mógł wyciągnąć patelnię z urządzenia i postawić ją na żaroodpornej powierzchni.

9. Sprawdź, czy składniki są gotowe.

Jeśli składniki nie są jeszcze gotowe, po prostu wsuń patelnię z powrotem do urządzenia i ustaw minutnik na kilka dodatkowych minut.

10. Aby usunąć jedzenie (np. Frytki), wyciągnij patelnię z frytkownicy na gorące powietrze i umieść ją na powierzchni żaroodpornej.

Nie odwracaj kosza do góry nogami, gdy patelnia jest nadal do niego przymocowana, ponieważ może się na nim zebrać nadmiar oleju dno patelni wyleknie na składniki.

Patelnia i składniki są gorące. W zależności od rodzaju żywności we frytkownicy para może wydostawać się z patelni.

11. Opróżnij kosz do miski lub na talerz.

Wskazówka: Aby usunąć duże lub delikatne składniki, wyjmij je z koszyka za pomocą szczypec.

12. Po ugotowaniu partii składników frytkownica jest natychmiast gotowa do przygotowania kolejnej partii.

USTAWIENIA

Poniższa tabela pomoże Ci wybrać podstawowe ustawienia dla różnych rodzajów składników.

Uwaga: Pamiętaj, że te ustawienia mają charakter poglądowy. Składniki o różnych kształtach i rozmiarach będą wymagały różnych ustawień czasu i temperatury.

Ponieważ technologia Quick-Air natychmiast podgrzewa powietrze w urządzeniu, krótkie wyciągnięcie miski z urządzenia podczas pracy prawie nie zakłóci procesu.

WSKAZÓWKI

- Mniejsze składniki zwykle wymagają nieco krótszego czasu przygotowania niż większe składniki. Podobnie jak większe ilości jedzenia wymagają nieco dłuższego czasu przygotowania niż mniejsze ilości jedzenia.
- Delikatne wstrząśnięcie mniejszych składników w połowie przygotowania optymalizuje efekt końcowy i może pomóc w zapobieganiu nierównomiernie smażonemu jedzeniu.
- Lekko posmaruj świeże ziemniaki odrobiną oleju, zanim usmażysz je, aby uzyskać ostrzejszy efekt.
- W frytkownicy na gorące powietrze nie należy przygotowywać wyjątkowo tłustych składników, takich jak kielbaski.
- Przekąski, które można przygotować w piekarniku, można również przygotować we frytkownicy na gorące powietrze.
- Optymalna ilość do przygotowania chrupiących chipsów wynosi 300 gramów.
- Ciasto kupione w sklepie wymaga krótszego czasu przygotowania niż ciasto domowej roboty.
- Jeśli chcesz upiec ciasto, quiche, babeczki lub delikatne i wypełnione składniki, możesz umieścić w urządzeniu silikonowe muffinki i silikonowe wkładki.
- Możesz również użyć frytkownicy na gorące powietrze, aby podgrzać jedzenie. Wystarczy ustawić temperaturę na 150 °C na maksymalnie 10 minut.

	KWOTA (G)	CZAS (MIN.)	TEMP. (°C)	WSTRZĄSAĆ	INFORMACJE DO-DATKOWE
CZIPSY					
Cienkie mrożone frytki	200-300	18-20	200	Tak	
Grube mrożone frytki	200-300	20-25	200	Tak	
Zapiekanka ziemniaczana	300	20-25	200	Tak	
MIĘSO I DROBI					
Stek	100-300	10-15	180		
Kotlety wieczerowe	100-300	10-15	180		
Hamburger	100-300	10-15	180		
Rolada z kiełbasą	100-300	13-15	200		
Paleczki	100-300	25-30	180		
Pierś z kurczaka	100-300	15-20	180		
PRZEKĄSKI					
Sajgonki	100-250	8-10	200	Tak	Używać do piekarnika
Mrożone samorodki z kurczaka	100-300	8-10	200	Tak	Używać do piekarnika
Paluszki rybne mrożone	100-250	8-10	200		Używać do piekarnika

	KWOTA (G)	CZAS (MIN.)	TEMP. (°C)	WSTRZĄSAĆ	INFORMACJE DO- DATKOWE
Przekąski z kruche- go ciasta z serem	100-250	8-10	180		Używać do piekarnika
Faszerowane war- zywa	100-250	10	160		
PIECZENIE					
Ciasto	250	20-25	160		Użyj formy do piec- zenia
Quiche	300	20-22	180		Użyj formy do piec- zenia
Muffiny	250	15-18	200		Użyj formy do piec- zenia
Słodkie przekąski	250	20	160		Użyj formy do piec- zenia

Uwaga: Jeśli frytkownica nie została wcześniej podgrzana, dodaj 3 minuty do czasu przygotowania, aby urządzenie mogło się nagrzać.

CZYSZCZENIE I KONSERWACJA

Czyść urządzenie po każdym użyciu.

Patelnia, blacha do pieczenia, separator, kosz i wnętrze urządzenia mają nieprzywierającą powłokę. Nie używaj metalowych przyborów kuchennych ani ściernych środków czyszczących do ich czyszczenia, ponieważ może to uszkodzić nieprzywierającą powłokę.

1. Odłącz urządzenie od zasilania i pozwól mu ostygnąć.

Uwaga: Wyjmij patelnię, aby frytkownica szybciej ostygła.

2. Wytrzyj obudowę urządzenia wilgotną szmatką.

3. Oczyść patelnię, blachę do pieczenia, separator i kosz gorącą wodą, niewielką ilością płynu do mycia naczyń i nieścierną gąbką.

4. Możesz użyć płynu do usuwania tłuszczu, aby pozbyć się wszelkich pozostałości.

Uwaga: Patelnię, blachę do pieczenia, separator i kosz można myć w zmywarce.

Wskazówka: Jeśli jedzenie utknęło w koszu, blasze do pieczenia lub dnie patelni, napełnij patelnię gorącą wodą z dodatkiem płynu do mycia naczyń. Umlęść kosz na patelni i pozwól im moczyć przez około 10 minut.

5. Wyczyść element grzejny za pomocą szczotki czyszczącej, aby usunąć resztki jedzenia. Przed schowaniem urządzenia odłącz frytkownicę od zasilania i upewnij się, że wszystkie części są czyste i suche.

ROZWIĄZYWANIE PROBLEMÓW

PROBLEM	PRZYCZYNA	ROZWIĄZANIE
Frytownica na gorące powietrze nie działa.	Urządzenie nie jest podłączone do sieci.	Podłącz urządzenie do uziemionego gniazda.
	Nie ustawiłeś timera.	Aby włączyć urządzenie, użyj przycisku czasu i strzałek, aby ustawić wymagany czas przygotowania.
Składniki nie są gotowe.	W koszyku jest za dużo jedzenia.	Usuń trochę jedzenia. Mniejsze części smażą się bardziej równomiernie.
	Ustawiona temperatura jest za niska.	Zaprogramuj temperaturę na wyższą wartość.
Składniki są smażone nierównomiernie.	Czas przygotowania jest za krótki.	Ustaw więcej czasu, aby jedzenie mogło się całkowicie ugotować.
	Niektóre rodzaje składników należy mieszać w pobliżu czasu przygotowania.	Wymyj patelnię z korpusu i delikatnie dotrzyjnij w pokwię procesie przygotowania.
Smażone przekąski nie są chrupące.	Przekąski były przeznaczane do tradycyjnej frytownicy.	Użyj przekąsek z pianką lub delikatnie posmaruj składniki odrobiną oleju, aby uzyskać ostrzejszy efekt.
Patelnia nie pasuje do urządzenia.	Za dużo jedzenia w koszu.	Usuń trochę jedzenia. Mniejsze części smażą się bardziej równomiernie.
	Kosz nie jest prawidłowo umieszczony.	Włóż kosz do garnka, aż usłyszysz kliknięcie.
Z urządzenia wydobywa się biały dym.	Przygotowujesz tłuste składniki.	Podczas smażenia tłustych składników we frytownicy powstaje duża ilość oleju wyciekającego na patelnię i wytwarzającego biały dym. Patelnia może się nagrzewać bardziej niż zwykle. Nie wpływa to na wydajność ani wynik końcowy.
	Jest smażenie z poprzedniego użycia.	Upewnij się, że dokładnie czyściłeś misę po każdym użyciu.
Świeże frytki są smażone nierównomiernie.	Frytki nie zostały dokładnie spryskane przed ich smażeniem.	Prawidłowo wypłucz wióry, aby usunąć całą skrobię z wnętrza.
Świeże frytki nie są chrupiące, gdy wychodzą z frytownicy.	Kruszość frytek zależy od ilości oleju i wody w frytkach.	Pokrój ziemniaki na mniejsze i dodaj nieco więcej oleju, aby uzyskać ostrzejszy wynik.

Zgodnie z dyrektywami 2012/18 / UE i 2015/369 / UE w sprawie ograniczenia stosowania niebezpiecznych substancji w sprzęcie elektrycznym i elektronicznym, w celu ich usunięcia. Symbol z przekreślonym pojemnikiem na śmieci pokazuje na opakowaniu oznacza, że produkt pod koniec okresu użytkowania będzie zliczony jako osobny odpad. Dlatego każdy produkt, który osiągnął koniec okresu użytkowania, musi zostać dostarczony do wyspecjalizowanych centrów usuwania odpadów w celu selektywnej zbiórki ze względu na jego elektryczny i elektroniczny lub zawarty do sprężonego prądu gazowego produkcyjnego nowego sprzętu, w jednym zle jedno). Wskazane selektywne zbiórki w celu późniejszego uruchomienia sprzętu przeznaczonego do recyklingu, obróbki i utylizacji w sposób przyjazny dla środowiska pomaga zapobiegać potencjalnym negatywnym skutkom dla środowiska i zdrowia oraz optymalizując wydajność ponowne użycie elementów składających się na urządzenie. Wskazane usunięcie produktu przez frytownik oznacza nieobecność symboli informacyjnych zgodnie z prawem.



CREATE