

20  
20

# LAY-Z-SPA



20  
20  
LAY-Z-SPA

## SHANGHAI

Bestway Inflatables & Material Corp.  
No.3065 Cao An Road,  
Shanghai, 201812, China  
Tel: 86 21 6913 5588  
E-mail: info@bestwaycorp.com

## HONG KONG

Bestway (Hong Kong) International Ltd.  
Suite 713, 7/Floor, East Wing, Tsim Sha Tsui Centre,  
66 Mody Road, Kowloon, Hong Kong  
Tel: 852 2997 7169  
E-mail: info@bestwaycorp.hk

## U.S.A.

Bestway (USA) Inc.  
3411 E. Harbour Drive, Phoenix, Arizona  
85034, United States of America  
Tel: 1 480 838 3888  
E-mail: info@bestwaycorp.us

## EUROPE

Bestway (Europe) S.r.l.  
Via Resistenza, 5  
20098 San Giuliano M.se (MI), Italy  
Tel: 39 02 9884 881  
E-mail: info@bestwaycorp.eu

## EASTERN EUROPE

Bestway Eastern Europe Sp. z o.o.  
Ulica Stanisława Moniuszki n 1A,  
00-014 Warszawa Poland  
Tel: 48 22 60 22 508  
E-mail: info@bestwaycorp.pl

## LATIN AMERICA

Bestway Central & South America Ltda  
Salar Ascotan 1282, Parque Enea,  
Pudahuel, Santiago, Chile  
Tel: 562 3203 6438  
E-mail: info@bestwaycorp.lat

## BRAZIL

Bestway Brazil  
Rua São João, 1648 Maringá - PR - Brazil  
Zip Code: 87030-201  
Tel: 55 44 3046 2950 / 0800 001 8400  
E-mail: info@bestwaycorp.com.br

## AUSTRALIA

Bestway Australia Pty Limited  
Unit 2/98-104 Carnarvon St  
Silverwater, NSW 2128, Australia  
Tel: 61 2 9037 1388  
E-mail: info@bestwaycorp.com.au

## FRANCE

Bestway France Sarl  
1681, Route des Dolines Les Taissounières - HB1  
06560 VALBONNE  
Tel: 33 4 97 04 92 99  
E-mail: info@bestwaycorp.fr

## GERMANY

Bestway Deutschland GmbH  
Parkstraße 11  
24534 Neumünster, Germany  
Tel: 49 4321 555 05 - 0  
E-mail: info@bestwaycorp.de

**Bestway**

[f](#) [@](#) [▶](#) [www.bestwaycorp.com](http://www.bestwaycorp.com)

©2019 Bestway Inflatables & Material Corp. All rights reserved.  
™ Trademarks owned and managed by Bestway Inflatables & Material Corp.

20  
20

LAY-Z-SPA



Bestway

**Bestway**



# Bestway

20 | CATALOG  
20 | COLLECTION



## VISION <sup>OUR</sup> MISSION

We create fun, lasting experiences to everyone in the world through the products and service we provide.

Happiness —  
Happy Consumers,  
Happy Employees,  
Happy World



Vertically integrated



Customer focused



Innovative



Sustainable



Consumer driven



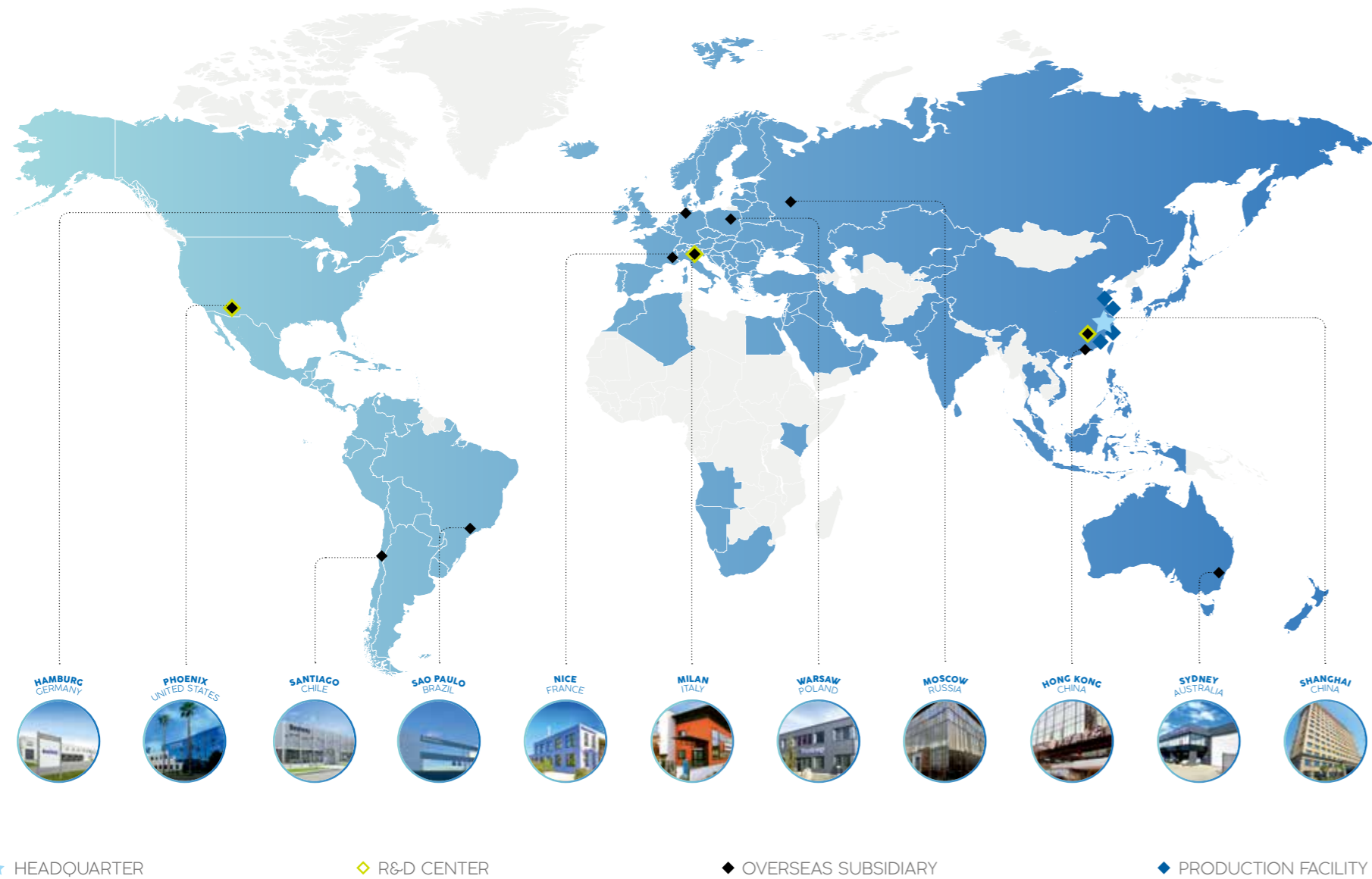
Fully owned production facilities



Public stock exchange

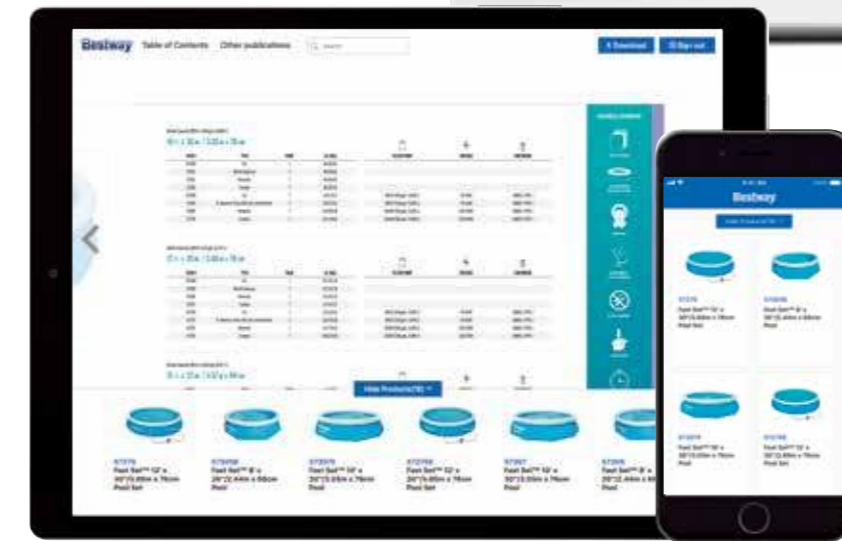


# BESTWAY WORLD



## THE NEW WEBSITE

Bestwaycorp.com is debuting a new and improved look. Keeping it fresh and modern, our new website uses large visuals and graphics to help tell the story of each brand. Now it's easier than ever to learn about our different products and technologies!



## THE NEW CATALOG APP

Easily access all of our Bestway® catalogs while on the go with our brand new app. Download to see the conveniently portable, digital versions of our catalogs!



*Welcome*  
*Bestway's Lay-Z-Spa*  
*is the world's first*  
*premium inflatable spa.*

Almost a decade of advanced engineering innovations have built a name that people all around the world have grown to trust. The Lay-Z-Spa™ offers an affordable spa experience that's convenient to use, easy to set up and offers total relaxation.

Backed by the Bestway® customer service team, consumers can enjoy peace of mind while relaxing in their brand new spa. With different massage technologies, a Lay-Z-Spa offers the ultimate way to rest and recharge.





# CONTENTS

## **AirJet™**

MIAMI 54123 • 54124 pg 20-23	CANCUN 54286 • 54297 pg 24-27	TAHITI 54186 • 54187 pg 28-31	PARIS 54148 • 54149 pg 32-35	PALM SPRINGS 54129 • 54130 pg 36-39
HONOLULU 54174 • 54295 pg 40-43	HAWAII 54154 • 54155 pg 44-47	ST. MORITZ 54175 • 54176 pg 48-51	HELSINKI 54189 • 54190 pg 52-57	

## **AirJet Plus™**

MILAN 54184 • 54185 pg 62-65
------------------------------------

## **HydroJet Pro™**

HAWAII 54138 • 54139 pg 68-71	MALDIVES 54173 • 54296 pg 72-75
-------------------------------------	---------------------------------------

## **Xtras**

RECHARGEABLE UNDERWATER VACUUM 58487 — pg 78	COLORJET LED LIGHT 58471 — pg 79	7-COLOR LED LIGHT 58492 — pg 79	CANOPY 58464 — pg 80	DOME 58460 — pg 81	
DRINK HOLDER 58416 — pg 82	PILLOW 58580 — pg 82	SURROUND 58432 — pg 83	FLOOR PROTECTOR 58461 — pg 83	ALL IN ONE TOOL SET 58421 — pg 84	TEST STRIPS 58142 — pg 84
FILTER CARTRIDGE (VI) 58323 — pg 85	ANTIMICROBIAL FILTER CARTRIDGE (VI) 58477 — pg 85				

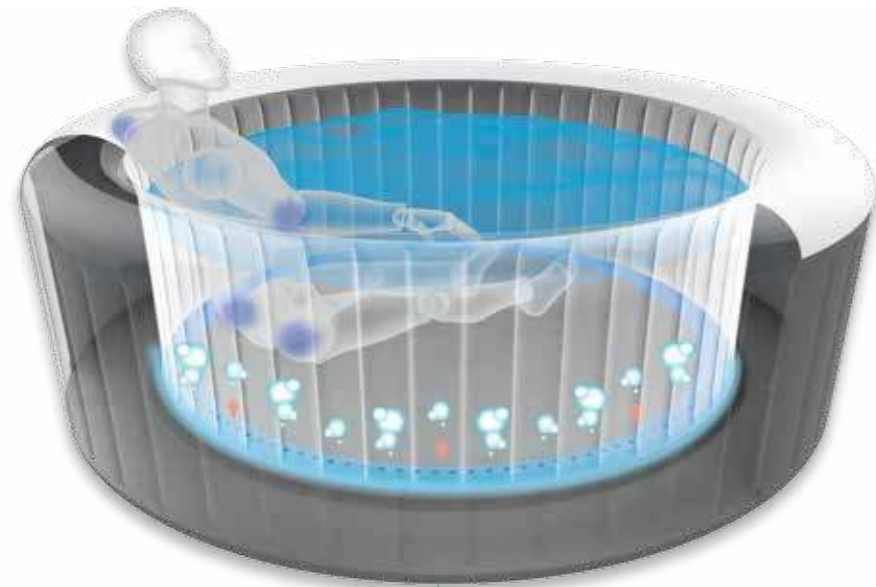
## SERVICE

Provide your customers with quality products and the advanced customer service support they deserve. Bestway's online services and regional call centers allow customers to easily resolve issues that arise with their Bestway products. Our multilingual website is a knowledge base offering downloadable manuals, instructional videos along with FAQs and the ability for customers to order spare parts. Regional Call Centers provide the added dimension of support for those unfamiliar with computers or unable to find specific answers to their questions online.

[www.bestwaycorp.com](http://www.bestwaycorp.com)



# Massage Technologies



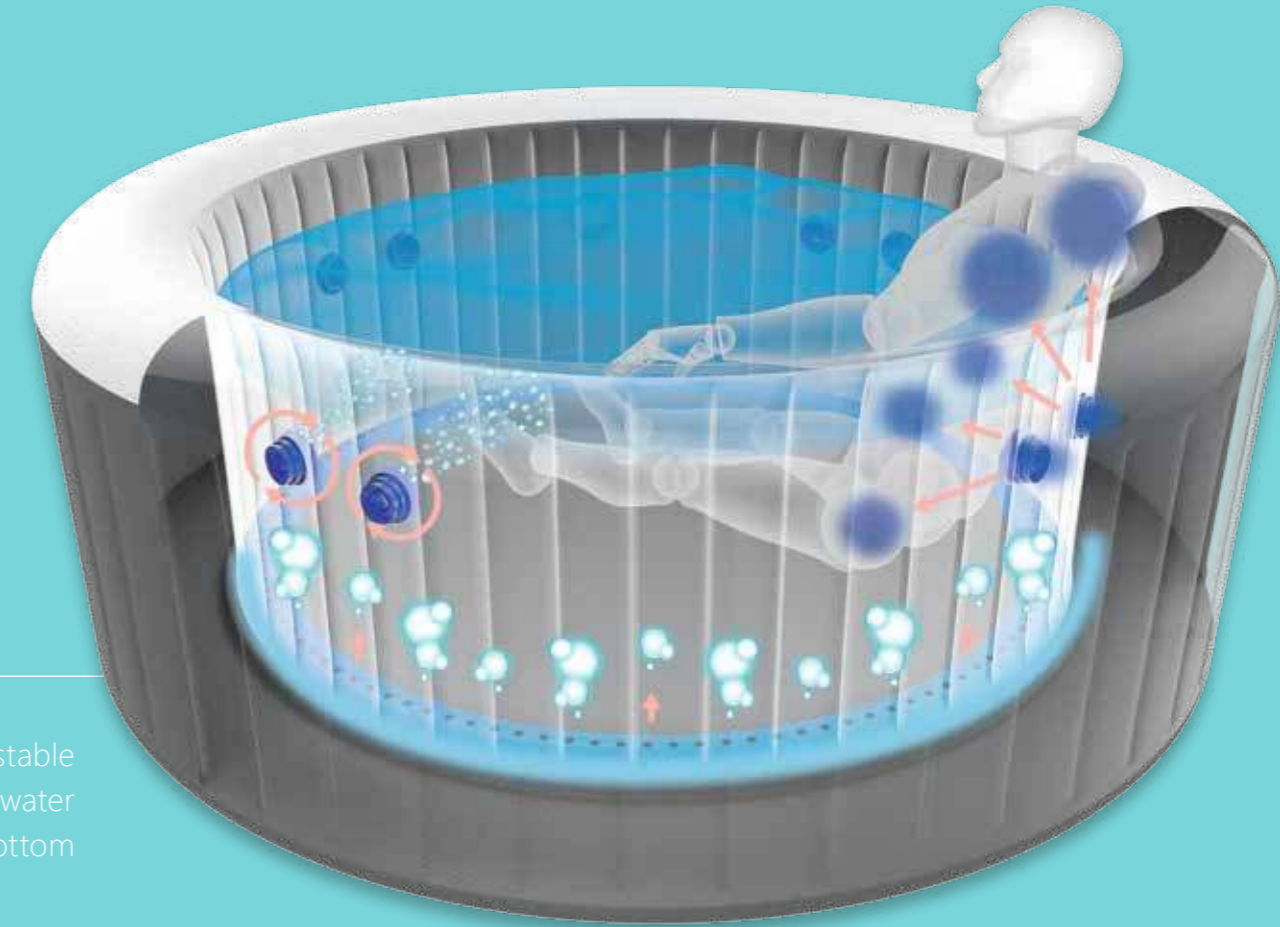
## **AirJet™**

Sooth your body and relax your mind with the touch of a button! The AirJets work by releasing warm air into the water, surrounding you with a calming bubble massage.



## **AirJet Plus™**

Enjoy a deeper massage with AirJet Plus! Air bubbles are released from both the bottom and the sidewalls of the spa to target both the legs and back.



## **HydroJet Pro™**

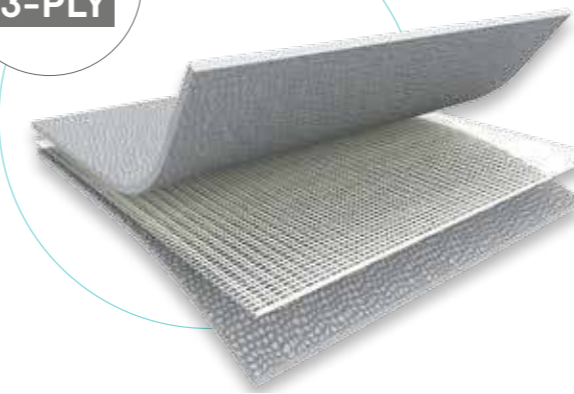
HydroJet Pro is the best of both worlds! Adjustable HydroJet nozzles that release high-pressure water bubbles combined with AirJets along the bottom provide the ultimate spa massage.



## B E A M C O N S T R U C T I O N

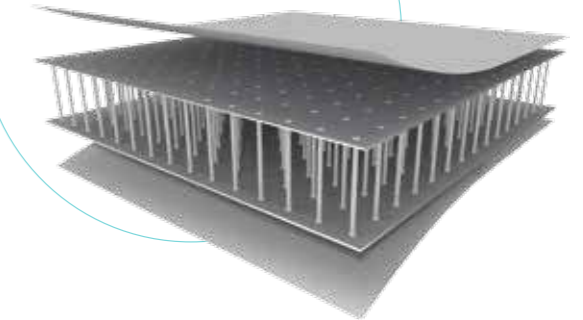
The internal construction of each Lay-Z-Spa is designed to offer superior structural stability while still maintaining a comfortable surface. It always provides a luxurious spa experience, no matter how many times it's inflated or deflated.

### TRITECH™ 3-PLY



Durable, yet comfortable, Tritech™ is ultra sturdy - 3 layers of polyester mesh and PVC. By constructing the internal structure with Tritech, it ensures that the spas will keep their shape no matter how many times they have been inflated or deflated.

### DROP STITCH MATERIAL

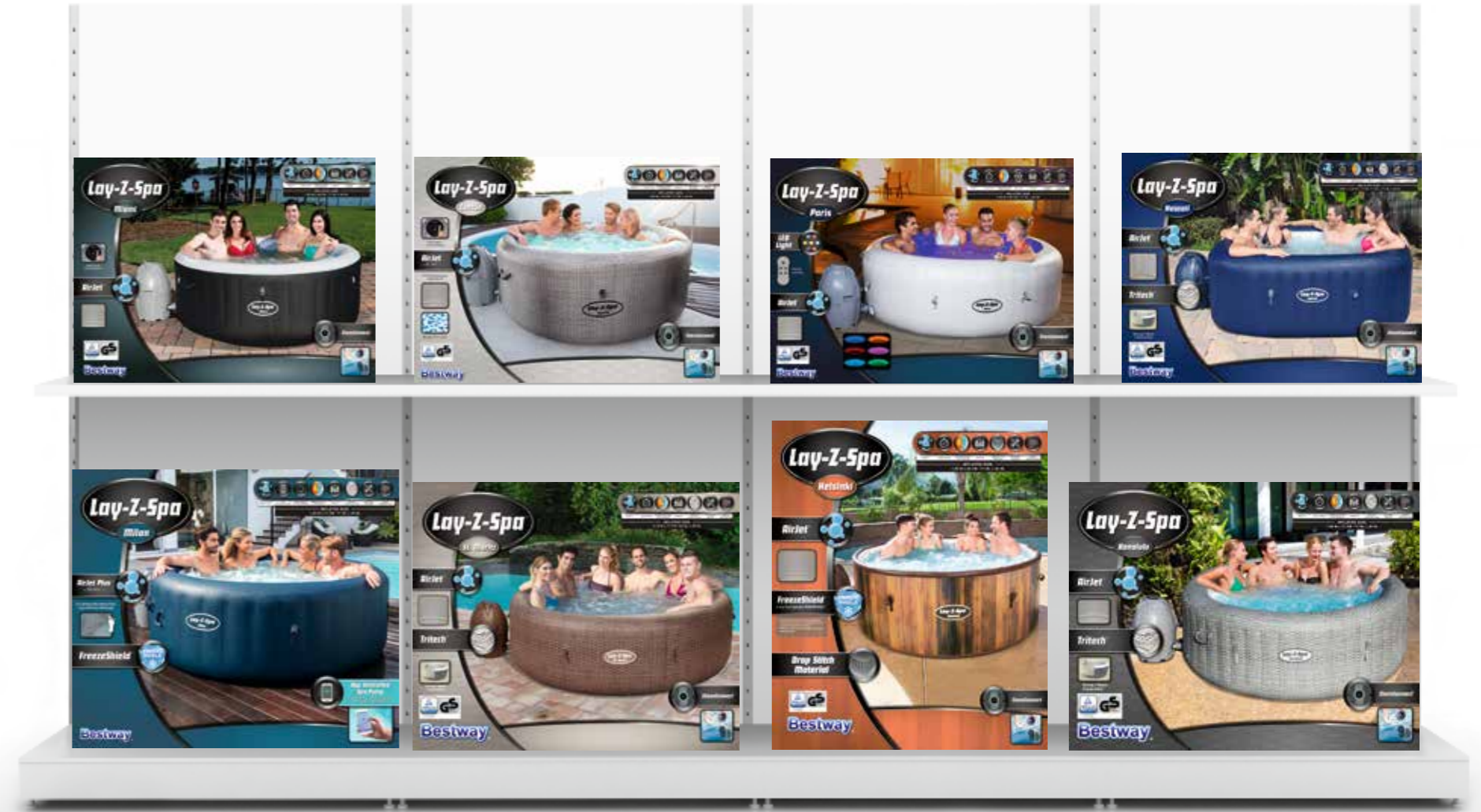


The inflated walls are made from drop stitch material, providing unparalleled strength and durability. Thousands of fine threads securely connect the sidewalls, which seal in air to keep the spa inflated. This material can support considerable weight while still being light and portable when deflated.





# Packaging





# Introducing 2020 LAY-Z-SPA™ COLLECTION

## AirJet™

MIAMI • 54123-54124

CANCUN • 54286-54297

TAHITI • 54186-54187



PARIS • 54148-54149

PALM SPRINGS • 54129-54130

HONOLULU • 54174-54295



HAWAII • 54154-54155

ST. MORITZ • 54175-54176

HELSINKI • 54189-54190



## AirJet Plus™

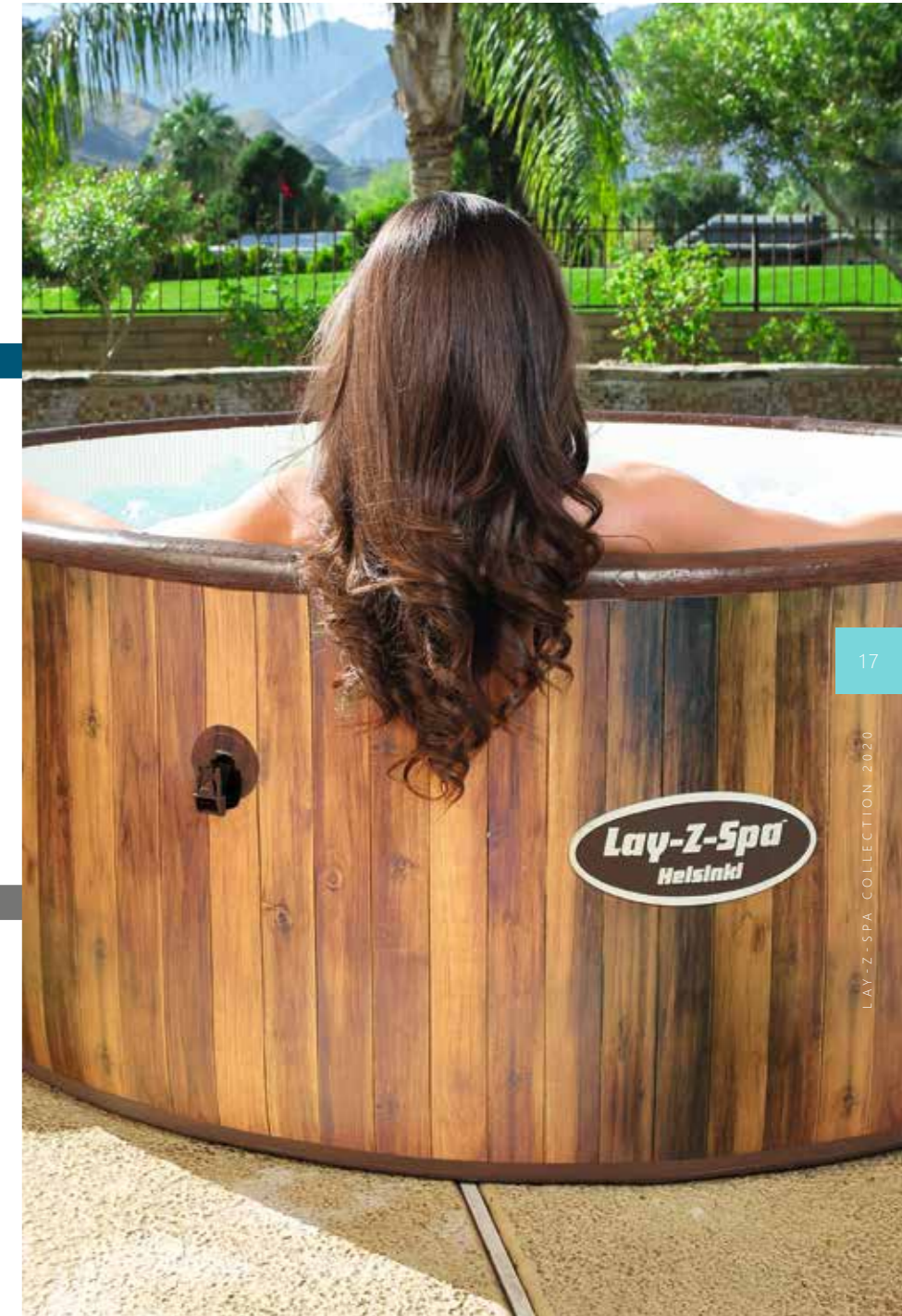
MILAN • 54184-54185



## HydroJet Pro™

HAWAII • 54138-54139

MALDIVES • 54173-54296



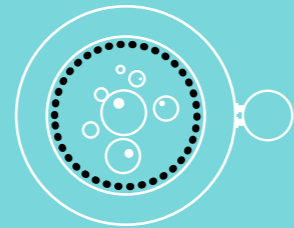


**AirJet™**

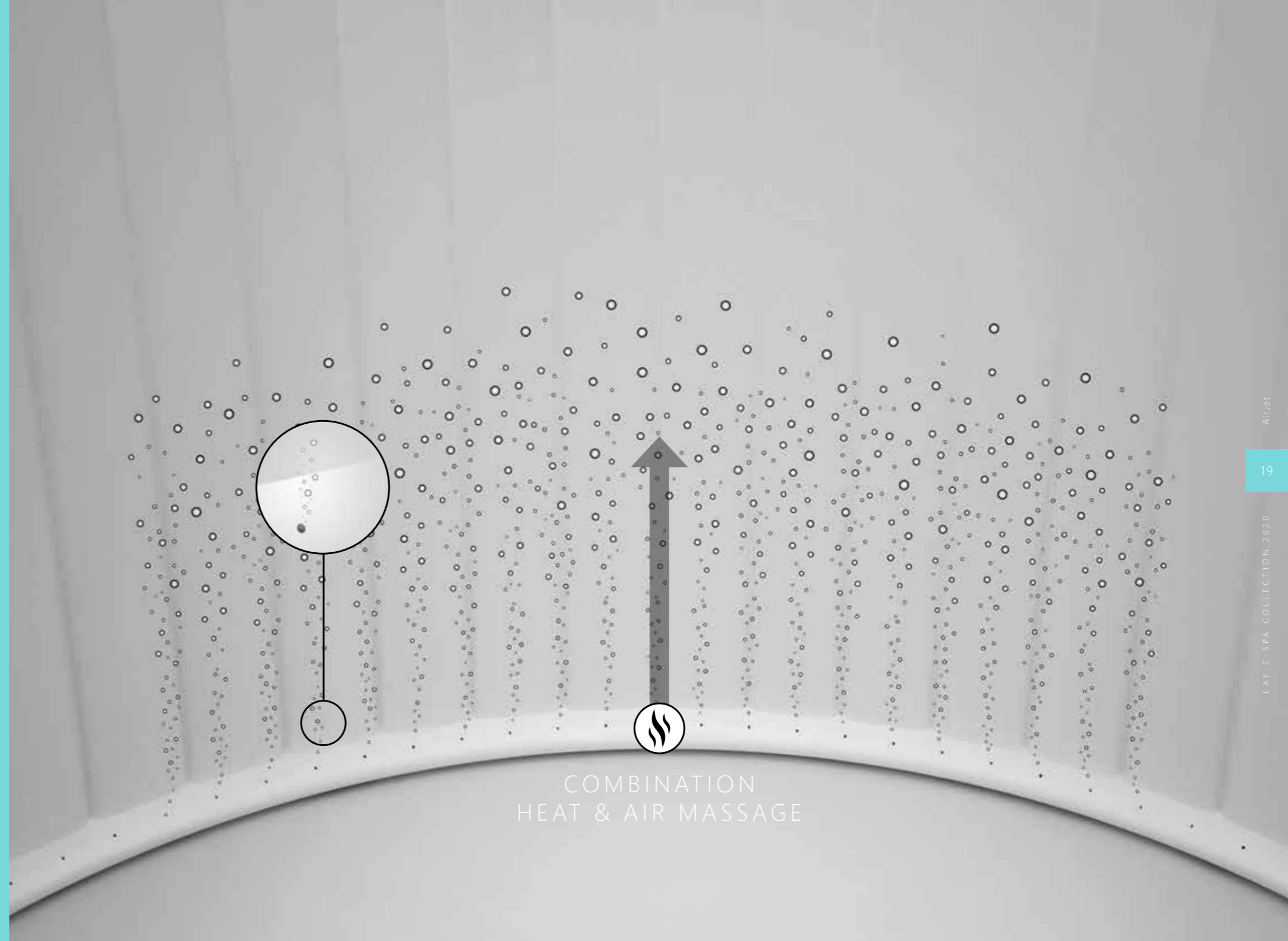
# FLOAT AWAY ON A CLOUD OF BUBBLES WITH AN AIRJET MASSAGE.

Sooth your body and relax your mind with the touch of a button.

Simply press the massage button on the control panel, and the AirJet system will surround you with calming bubbles.



AIRJET  
POSITIONING



COMBINATION  
HEAT & AIR MASSAGE

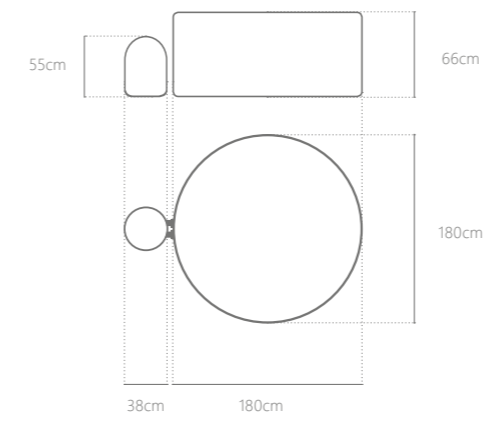




# Miami

54123 • 54124

**AirJet™**



- Outer walls are made of Tritech™ material, providing premium durability and comfort
- Soothing AirJet™ system (#54123: 81 AirJets / #54124: 60 AirJets)
- Power-saving, automatic timer-controlled heating system
- Integrated water filtration system
- Reinforced cover with safety lock clips and built-in air chamber for insulation
- Full color box

Contents: 1 pool liner, 1 pool cover, 1 spa pump, filter cartridge (VI), 1 ChemConnect™ dispenser, repair patch, AirJet™ system



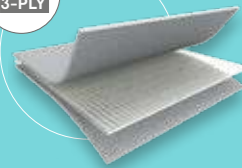
# BEAM CONSTRUCTION

## Delivering strength and comfort

Lay-Z-Spa's Beam construction is designed to offer superior structural stability while maintaining a comfortable surface for a luxurious, refreshing spa experience.



TRITECH™  
3-PLY



The spa retains its shape no matter how many times it's inflated and deflated, always providing a comfortable, cushioned spa environment.

Only outer wall and bottom is tritech.

<b>ITEM NO</b>	54123	54124
<b>CAPACITY</b>	2-4 ADULTS	2-4 ADULTS
<b>WATER CAPACITY (80%)</b>	669 L (177 GAL.)	177 GAL. (669 L)
<b>INFLATED SIZE</b>	1.80 M X 66 CM (71" X 26")	71 IN. X 26 IN. (1.80 M X 66 CM)
<b>INNER SIZE</b>	1.32 M (52")	52 IN. (1.32 M)
<b>FILLED WEIGHT</b>	696 KG (1,534 LBS)	1,534 LBS (696 KG)
<b>RATING</b>	220-240V~ 50HZ, 2050W AT 20°C	110-120V~ 60HZ, 12A AT 20°C
<b>ACTUAL WATER FLOW</b>	1,325 L/H (350 GAL./H)	350 GAL./H (1,325 L/H)
<b>HEATING SYSTEM</b>	APPROX. 1.5-2.0°C/H (3-4°F/H)	APPROX. 2-3°F/H (1.0-1.5°C/H)
<b>MAX HEAT CAPABILITY</b>	40°C (104°F)	104°F (40°C)
<b>CERTIFICATION</b>	CE, GS	C-ETL
<b>PACK/ GROSS WEIGHT</b>	1 EA., 32.82 KG (72.36 LBS)	1 EA., 72.66 LBS (32.96 KG)

Lock/Unlock Button

Power Saving Timer

AirJet System

Celsius/Fahrenheit Mode Toggle



LED Display

Temperature/ Hour Adjustment

Power On/Off

Water Filter Activation

Heat Activation

**AirJet™**  
MESSAGE ACTION

**Ground Fault**  
DETECTION SYSTEM

\*Most spas have ground fault detection system (GDS).

**Combination**  
HEAT & AIR MASSAGE

**Power Saving**  
TIMER

**Maximum**  
TEMPERATURE

**2 TO 4**  
**People**

**No Tools**  
REQUIRED

**Includes**



**ChemConnect™**  
DISPENSER



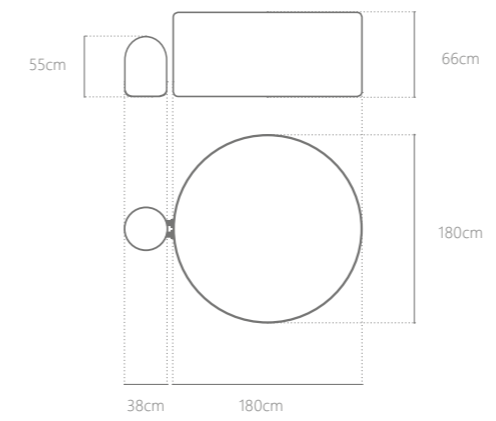
**Filter**  
CARTRIDGE



# Cancun

54286 • 54297

AirJet™



- Outer walls are made of Tritech™ material, providing premium durability and comfort
- Soothing AirJet™ system (#54286: 81 AirJets / #54297: 60 AirJets)
- Power-saving, automatic timer-controlled heating system
- Integrated water filtration system
- Reinforced cover with safety lock clips and built-in air chamber for insulation
- Full color box

Contents: 1 pool liner, 1 pool cover, 1 spa pump, filter cartridge (VI), 1 ChemConnect™ dispenser, repair patch, AirJet™ system

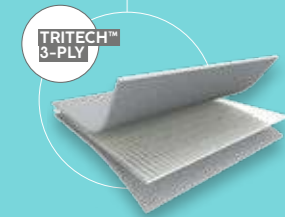




# BEAM CONSTRUCTION

## Delivering strength and comfort

Lay-Z-Spa's Beam construction is designed to offer superior structural stability while maintaining a comfortable surface for a luxurious, refreshing spa experience.



The spa retains its shape no matter how many times it's inflated and deflated, always providing a comfortable, cushioned spa environment.

Only outer wall and bottom is tritech.

<b>ITEM NO</b>	54286	54297
<b>CAPACITY</b>	2-4 ADULTS	2-4 ADULTS
<b>WATER CAPACITY (80%)</b>	669 L (177 GAL.)	177 GAL. (669 L)
<b>INFLATED SIZE</b>	1.80 M X 66 CM (71" X 26")	71 IN. X 26 IN. (1.80 M X 66 CM)
<b>INNER SIZE</b>	1.32 M (52")	52 IN. (1.32 M)
<b>FILLED WEIGHT</b>	696 KG (1,534 LBS)	1,534 LBS (696 KG)
<b>RATING</b>	220-240V~50HZ, 2050W AT 20°C	110-120V~ 60HZ, 12A AT 20°C
<b>ACTUAL WATER FLOW</b>	1,325 L/H (350 GAL./H)	350 GAL./H (1,325 L/H)
<b>HEATING SYSTEM</b>	APPROX. 1.5-2.0°C/H (3-4°F/H)	APPROX. 2-3°F/H (1.0-1.5°C/H)
<b>MAX HEAT CAPABILITY</b>	40°C (104°F)	104°F (40°C)
<b>CERTIFICATION</b>	CE, GS	C-ETL
<b>PACK/ GROSS WEIGHT</b>	1 EA., 32.77 KG (72.25 LBS)	1 EA., 72.58 LBS (32.92 KG)



**AirJet™**  
MESSAGE ACTION

**Combination**  
HEAT & AIR MASSAGE

**Power Saving**  
TIMER

**Maximum**  
TEMPERATURE

**2 TO 4**  
**People**

**No Tools**  
REQUIRED

**Ground Fault**  
DETECTION SYSTEM

\*Most spas have ground fault detection system (GDS).

**Includes**



**ChemConnect™**  
DISPENSER



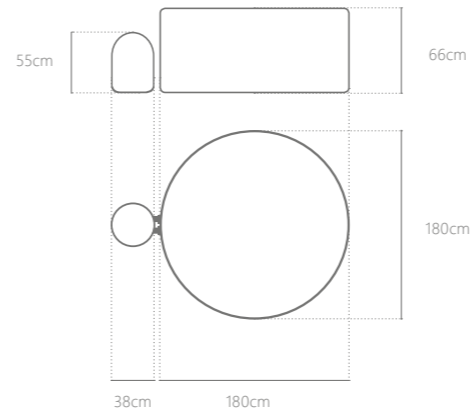
**Filter**  
CARTRIDGE



# Tahiti

54186 • 54187

AirJet™



- Outer walls are made of Tritech™ material, providing premium durability and comfort
- Soothing AirJet™ system (#54186: 81 AirJets / #54187: 60 AirJets)
- LED light alternates between 7 colors using 3 AAA batteries (not included)
- Power-saving, automatic timer-controlled heating system
- Integrated water filtration system
- Reinforced cover with safety lock clips and built-in air chamber for insulation
- Full color box

Contents: 1 pool liner, 1 pool cover, 1 spa pump, filter cartridge (VI), 1 ChemConnect™ dispenser, 1 LED light, repair patch, AirJet™ system





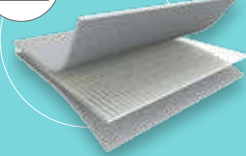
# BEAM CONSTRUCTION

## Delivering strength and comfort

Lay-Z-Spa's Beam construction is designed to offer superior structural stability while maintaining a comfortable surface for a luxurious, refreshing spa experience.



TRITECH™  
3-PLY



The spa retains its shape no matter how many times it's inflated and deflated, always providing a comfortable, cushioned spa environment.

Only outer wall and bottom is tritech.

<b>ITEM NO</b>	54186	54187
<b>CAPACITY</b>	2-4 ADULTS	2-4 ADULTS
<b>WATER CAPACITY (80%)</b>	669 L (177 GAL.)	177 GAL. (669 L)
<b>INFLATED SIZE</b>	1.80 M X 66 CM (71" X 26")	71 IN. X 26 IN. (1.80 M X 66 CM)
<b>INNER SIZE</b>	1.32 M (52")	52 IN. (1.32 M)
<b>FILLED WEIGHT</b>	696 KG (1,534 LBS)	1,534 LBS (696 KG)
<b>RATING</b>	220-240V~50HZ, 2050W AT 20°C	110-120V~60HZ, 12A AT 20°C
<b>ACTUAL WATER FLOW</b>	1,325 L/H (350 GAL./H)	350 GAL./H (1,325 L/H)
<b>HEATING SYSTEM</b>	APPROX. 1.5-2.0°C/H (3-4°F/H)	APPROX. 2-3°F/H (1.0-1.5°C/H)
<b>MAX HEAT CAPABILITY</b>	40°C (104°F)	104°F (40°C)
<b>CERTIFICATION</b>	CE, GS	C-ETL
<b>PACK/ GROSS WEIGHT</b>	1 EA., 32.75 KG (72.20 LBS)	1 EA., 72.53 LBS (32.90 KG)



Lock/Unlock Button

LED Display

Power Saving Timer

Temperature/ Hour Adjustment

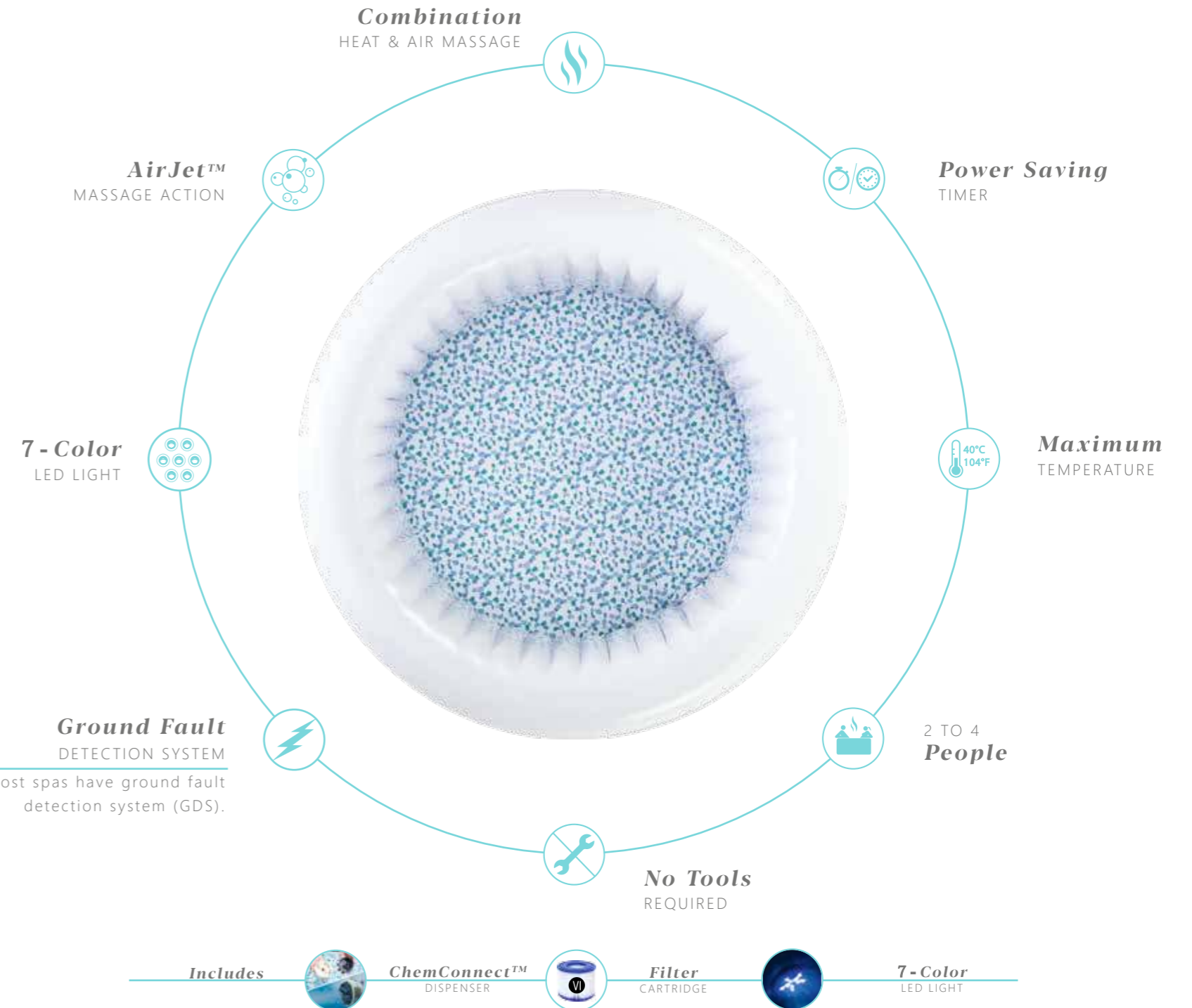
AirJet System

Power On/Off

Celsius/Fahrenheit Mode Toggle

Water Filter Activation

Heat Activation



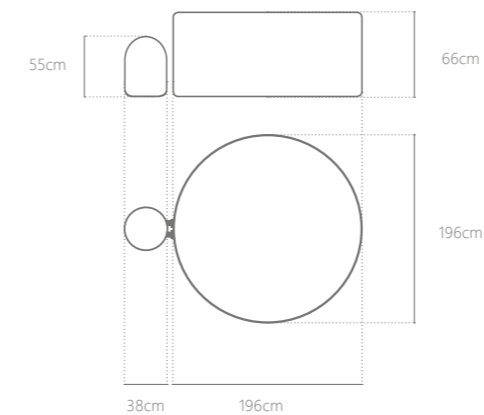




# Paris

54148 • 54149

**AirJet™**



- Soothing AirJet™ system (#54148: 87 AirJets / #54149: 76 AirJets)
- Remote-controlled multicolored LED light strip system
- Power-saving, automatic timer-controlled heating system
- Integrated water filtration system
- Reinforced cover with safety lock clips and built-in air chamber for insulation
- Full color box

Contents: 1 pool liner, 1 pool cover, 1 spa pump, 1 ChemConnect™ dispenser, filter cartridge (VI), 1 LED light strip, repair patch, AirJet™ system



# BEAM CONSTRUCTION

## Delivering strength and comfort

Lay-Z-Spa's Beam construction is designed to offer superior structural stability while maintaining a comfortable surface for a luxurious, refreshing spa experience.



LEATHEROID  
EXTERIOR  
COVER

The spa retains its shape no matter how many times it's inflated and deflated, always providing a comfortable, cushioned spa environment.

<b>ITEM NO</b>	54148	54149
<b>CAPACITY</b>	4-6 ADULTS	4-6 ADULTS
<b>WATER CAPACITY (80%)</b>	806 L (213 GAL.)	213 GAL. (806 L)
<b>INFLATED SIZE</b>	1.96 M X 66 CM (77" X 26")	77 IN. X 26 IN. (1.96 M X 66 CM)
<b>INNER SIZE</b>	1.46 M (57")	57 IN. (1.46 M)
<b>FILLED WEIGHT</b>	840 KG (1,851 LBS)	1,851 LBS (840 KG)
<b>RATING</b>	220-240V~50HZ, 2050W AT 20°C	110-120V~60HZ, 12A AT 20°C
<b>ACTUAL WATER FLOW</b>	1,325 L/H (350 GAL./H)	350 GAL./H (1,325 L/H)
<b>HEATING SYSTEM</b>	APPROX. 1.5-2.0°C/H (3-4°F/H)	APPROX. 2-3°F/H (1.0-1.5°C/H)
<b>MAX HEAT CAPABILITY</b>	40°C (104°F)	104°F (40°C)
<b>CERTIFICATION</b>	CE, GS	C-ETL
<b>PACK/ GROSS WEIGHT</b>	1 EA., 40.78 KG (89.90 LBS)	1 EA., 90.50 LBS (41.05 KG)



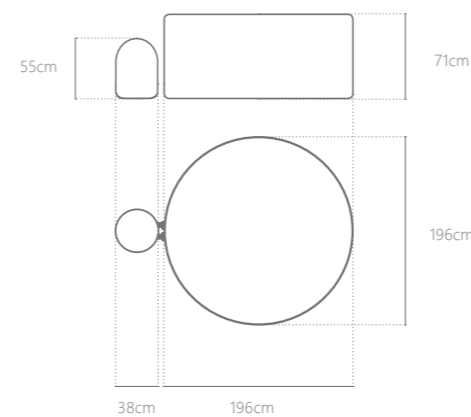




# Palm Springs

54129 • 54130

**AirJet™**



- Inflated walls are made of Tritech™ material, providing premium durability and comfort
- Soothing AirJet™ system (#54129: 120 AirJets / #54130: 114 AirJets)
- Power-saving, automatic timer-controlled heating system
- Integrated water filtration system
- Reinforced cover with safety lock clips and built-in air chamber for insulation
- Full color box

Contents: 1 pool liner, 1 pool cover, 1 spa pump, 1 ChemConnect™ dispenser, filter cartridge (VI), repair kit, AirJet™ system



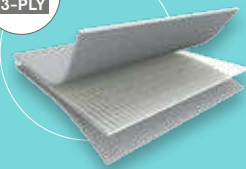
# Y - B E A M CONSTRUCTION

## Delivering strength and comfort

Lay-Z-Spa's Y-Beam construction is designed to offer superior structural stability while maintaining a comfortable surface for a luxurious, refreshing spa experience.



TRITECH™  
3-PLY



The spa retains its shape no matter how many times it's inflated and deflated, always providing a comfortable, cushioned spa environment.

<b>ITEM NO</b>	54129	54130
<b>CAPACITY</b>	4-6 ADULTS	4-6 ADULTS
<b>WATER CAPACITY (80%)</b>	916 L (242 GAL.)	242 GAL. (916 L)
<b>INFLATED SIZE</b>	1.96 M X 71 CM (77" X 28")	77 IN. X 28 IN. (1.96 M X 71 CM)
<b>INNER SIZE</b>	1.46 M (57")	57 IN. (1.46 M)
<b>FILLED WEIGHT</b>	954 KG (2,103 LBS)	2,103 LBS (954 KG)
<b>RATING</b>	220-240V~50HZ, 2050W AT 20°C	110-120V~60HZ, 12A AT 20°C
<b>ACTUAL WATER FLOW</b>	1,325 L/H (350 GAL./H)	320 GAL./H (1,211 L/H)
<b>HEATING SYSTEM</b>	APPROX. 1.5-2.0°C/H (3-4°F/H)	APPROX. 2-3°F/H (1.0-1.5°C/H)
<b>MAX HEAT CAPABILITY</b>	40°C (104°F)	104°F (40°C)
<b>CERTIFICATION</b>	CE, GS	C-ETL
<b>PACK/ GROSS WEIGHT</b>	1 EA., 40.78 KG (89.90 LBS)	1 EA., 92.31 LBS (41.87 KG)

Lock/Unlock Button

Power Saving Timer

AirJet System

Celsius/Fahrenheit Mode Toggle



LED Display

Temperature/ Hour Adjustment

Power On/Off

Water Filter Activation

Heat Activation

**AirJet™**  
MESSAGE ACTION

**Ground Fault**  
DETECTION SYSTEM

\*Most spas have ground fault detection system (GDS).

**Combination**  
HEAT & AIR MASSAGE

**Power Saving**  
TIMER

**Maximum**  
TEMPERATURE

**4 TO 6**  
**People**

**No Tools**  
REQUIRED

**Includes**



**ChemConnect™**  
DISPENSER



**Filter**  
CARTRIDGE

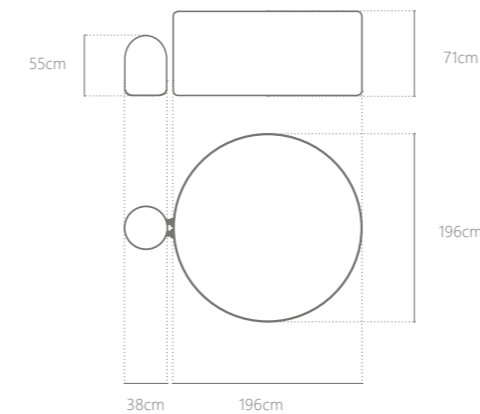




# Honolulu

54174 • 54295

**AirJet™**



- Inflated walls are made of Tritech™ material, providing premium durability and comfort
- Soothing AirJet™ system (#54174: 120 AirJets / #54295: 114 AirJets)
- Power-saving, automatic timer-controlled heating system
- Integrated water filtration system
- Rattan print on outside and pool cover with a mosaic print on the inside
- Reinforced cover with safety lock clips and built-in air chamber for insulation
- Full color box

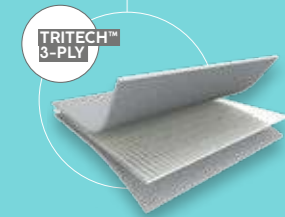
Contents: 1 pool liner, 1 pool cover, 1 spa pump, 1 ChemConnect™ dispenser, filter cartridge (VI), repair kit, AirJet™ system



# Y - B E A M CONSTRUCTION

## Delivering strength and comfort

Lay-Z-Spa's Y-Beam construction is designed to offer superior structural stability while maintaining a comfortable surface for a luxurious, refreshing spa experience.



The spa retains its shape no matter how many times it's inflated and deflated, always providing a comfortable, cushioned spa environment.

<b>ITEM NO</b>	54174	54295
<b>CAPACITY</b>	4-6 ADULTS	4-6 ADULTS
<b>WATER CAPACITY (80%)</b>	916 L (242 GAL.)	242 GAL. (916 L)
<b>INFLATED SIZE</b>	1.96 M X 71 CM (77" X 28")	77 IN. X 28 IN. (1.96 M X 71 CM)
<b>INNER SIZE</b>	1.46 M (57")	57 IN. (1.46 M)
<b>FILLED WEIGHT</b>	954 KG (2,103 LBS)	2,103 LBS (954 KG)
<b>RATING</b>	220-240V~50HZ, 2050W AT 20°C	110-120V~60HZ, 12A AT 20°C
<b>ACTUAL WATER FLOW</b>	1,325 L/H (350 GAL./H)	320 GAL./H (1,211 L/H)
<b>HEATING SYSTEM</b>	APPROX. 1.5-2.0°C/H (3-4°F/H)	APPROX. 2-3°F/H (1.0-1.5°C/H)
<b>MAX HEAT CAPABILITY</b>	40°C (104°F)	104°F (40°C)
<b>CERTIFICATION</b>	CE, GS	C-ETL
<b>PACK/ GROSS WEIGHT</b>	1 EA., 40.78 KG (89.9 LBS)	1 EA., 92.31 LBS (41.87 KG)



**AirJet™**  
MESSAGE ACTION

**Combination**  
HEAT & AIR MASSAGE

**Power Saving**  
TIMER

**Maximum**  
TEMPERATURE

**4 TO 6**  
**People**

**No Tools**  
REQUIRED

**Ground Fault**  
DETECTION SYSTEM

\*Most spas have ground fault detection system (GDS).

**Includes**



**ChemConnect™**  
DISPENSER



**Filter**  
CARTRIDGE

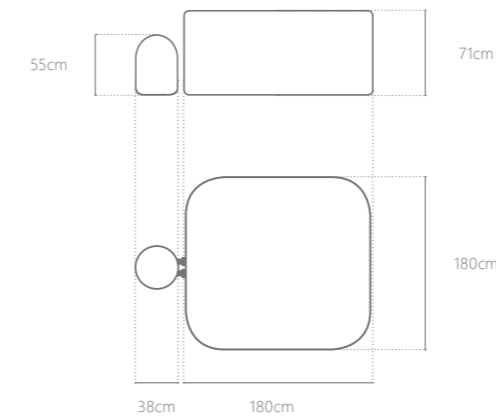




# Hawaii

54154 • 54155

AirJet™



- Inflated walls are made of Tritech™ material, providing premium durability and comfort
- Soothing AirJet™ system (#54154: 120 AirJets / #54155: 114 AirJets)
- Power-saving, automatic timer-controlled heating system
- Integrated water filtration system
- Reinforced cover with safety lock clips and built-in air chamber for insulation
- Full color box

Contents: 1 pool liner, 1 pool cover, 1 spa pump, 1 ChemConnect™ dispenser, filter cartridge (VI), repair kit, AirJet™ system



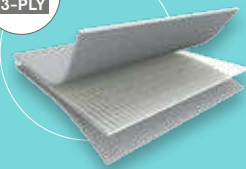
# Y - B E A M CONSTRUCTION

## Delivering strength and comfort

Lay-Z-Spa's Y-Beam construction is designed to offer superior structural stability while maintaining a comfortable surface for a luxurious, refreshing spa experience.



TRITECH™  
3-PLY



The spa retains its shape no matter how many times it's inflated and deflated, always providing a comfortable, cushioned spa environment.

<b>ITEM NO</b>	54154	54155
<b>CAPACITY</b>	4-6 ADULTS	4-6 ADULTS
<b>WATER CAPACITY (80%)</b>	840 L (222 GAL.)	222 GAL. (840 L)
<b>INFLATED SIZE</b>	1.80 M X 1.80 M X 71 CM (71" X 71" X 28")	71 IN. X 71 IN. X 28 IN. (1.80 M X 1.80 M X 71 CM)
<b>INNER SIZE</b>	1.30 M X 1.30 M (51" X 51")	51 IN. X 51 IN. (1.30 M X 1.30 M)
<b>FILLED WEIGHT</b>	879 KG (1,938 LBS)	1,938 LBS (879 KG)
<b>RATING</b>	220-240V~50HZ, 2050W AT 20°C	110-120V~60HZ, 12A AT 20°C
<b>ACTUAL WATER FLOW</b>	1,325 L/H (350 GAL./H)	320 GAL./H (1,211 L/H)
<b>HEATING SYSTEM</b>	APPROX. 1.5-2.0°C/H (3-4°F/H)	APPROX. 2-3°F/H (1.0-1.5°C/H)
<b>MAX HEAT CAPABILITY</b>	40°C (104°F)	104°F (40°C)
<b>CERTIFICATION</b>	CE, GS	C-ETL
<b>PACK/ GROSS WEIGHT</b>	1 EA., 41.92 KG (92.42 LBS)	1 EA., 94.89 LBS (43.04 KG)



**AirJet™**  
MESSAGE ACTION

**Combination**  
HEAT & AIR MASSAGE

**Power Saving**  
TIMER



**Ground Fault**  
DETECTION SYSTEM

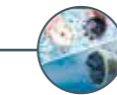
\*Most spas have ground fault detection system (GDS).

4 TO 6  
**People**

**No Tools**  
REQUIRED

**Maximum**  
TEMPERATURE

**Includes**



**ChemConnect™**  
DISPENSER



**Filter**  
CARTRIDGE

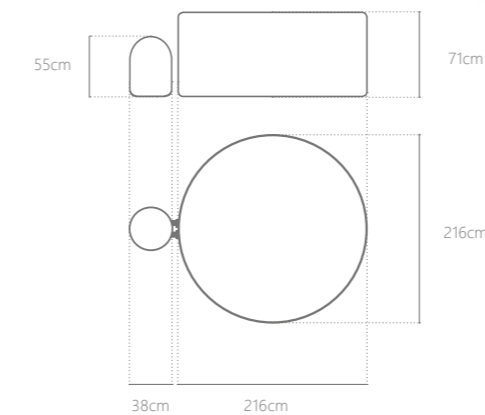




# St. Moritz

54175 • 54176

**AirJet™**



- Inflated walls are made of Tritech™ material, providing premium durability and comfort
- Soothing AirJet™ system (#54175: 140 AirJets / #54176: 134 AirJets)
- Power-saving, automatic timer-controlled heating system
- Integrated water filtration system
- Reinforced cover with safety lock clips and built-in air chamber for insulation
- Rattan print on outside and pool cover, mosaic print on the inside
- Full color box

Contents: 1 pool liner, 1 pool cover, 1 spa pump, 1 ChemConnect™ dispenser, filter cartridge (VI), repair kit, AirJet™ system



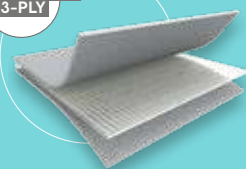
# Y - B E A M C O N S T R U C T I O N

## Delivering strength and comfort

Lay-Z-Spa's Y-Beam construction is designed to offer superior structural stability while maintaining a comfortable surface for a luxurious, refreshing spa experience.



TRITECH™  
3-PLY



The spa retains its shape no matter how many times it's inflated and deflated, always providing a comfortable, cushioned spa environment.

<b>ITEM NO</b>	54175	54176
<b>CAPACITY</b>	5-7 ADULTS	5-7 ADULTS
<b>WATER CAPACITY (80%)</b>	1,190 L (314 GAL.)	314 GAL. (1,190 L)
<b>INFLATED SIZE</b>	2.16 M X 71 CM (85" X 28")	85 IN. X 28 IN. (2.16 M X 71 CM)
<b>INNER SIZE</b>	1.66 M (65")	65 IN. ( 1.66 M)
<b>FILLED WEIGHT</b>	1210 KG (2,668 LBS)	2,668 LBS (1210 KG)
<b>RATING</b>	220-240V~50HZ, 2050W AT 20°C	110-120V~60HZ, 12A AT 20°C
<b>ACTUAL WATER FLOW</b>	1,325 L/H (350 GAL./H)	320 GAL./H (1,211 L/H)
<b>HEATING SYSTEM</b>	APPROX. 1.2-1.8°C/H (2-3°F/H)	APPROX. 1-2°F/H (0.6-1.2°C/H)
<b>MAX HEAT CAPABILITY</b>	40°C (104°F)	104°F (40°C)
<b>CERTIFICATION</b>	CE, GS	C-ETL
<b>PACK/ GROSS WEIGHT</b>	1 EA., 45.48 KG (100.27 LBS)	1 EA., 101.24 LBS (45.92 KG)

Lock/Unlock Button

Power Saving Timer

AirJet System

Celsius/Fahrenheit Mode Toggle



LED Display

Temperature/ Hour Adjustment

Power On/Off

Water Filter Activation

Heat Activation

**AirJet™**  
MESSAGE ACTION

**Ground Fault**  
DETECTION SYSTEM

\*Most spas have ground fault detection system (GDS).

**Combination**  
HEAT & AIR MASSAGE

**Power Saving**  
TIMER

**Maximum**  
TEMPERATURE

**5 TO 7**  
**People**

**No Tools**  
REQUIRED

**Includes**



**ChemConnect™**  
DISPENSER



**Filter**  
CARTRIDGE



# Freeze Shield™

## TECHNOLOGY

Lay-Z-Spas with Freeze Shield™ are equipped for year-round, all-weather use. Designed with innovative winterizing technology, these spas have built-in sensors so water temperature never falls below your comfort level. Freeze Shield automatically increases water circulation when temperatures are low to prevent inner parts from becoming damaged.



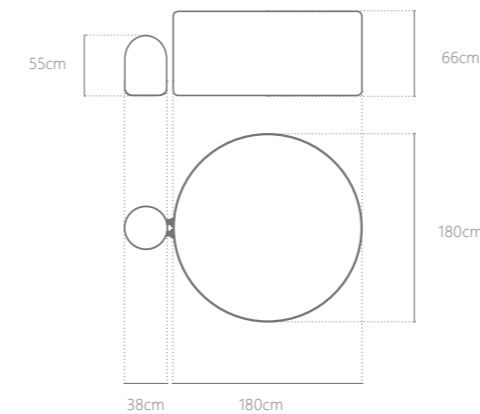




# Helsinki

54189 • 54190

**AirJet™**



- Inflated walls are made of drop stitch material, providing unparalleled strength and durability
- Soothing AirJet™ system (#54189: 87 AirJets / #54190: 83 AirJets)
- Power-saving, automatic timer-controlled heating system
- Integrated water filtration system
- Reinforced cover with safety lock clips and built-in air chamber for insulation
- Wooden print on exterior
- Freeze Shield™ winterizing system will allow you to enjoy your spa all year long (only for #54189)
- Automatic heating function - heating starts at 6°C (42°F), and stops at 10°C (50°F) to prevent water from freezing (only for #54189)
- Program the spa heater up to 40 days in advance for future use
- Full color box

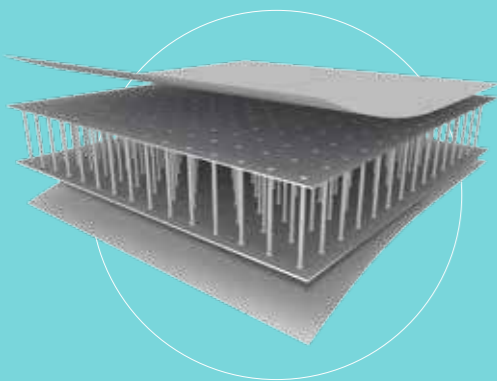
Contents: 1 pool liner, 1 pool cover, 1 spa heater, 1 ChemConnect™ dispenser, 1 high pressure hand pump, 1 pressure gauge, filter cartridge (VI), repair kit, AirJet™ system



# DROP STITCH MATERIAL

## Strength and Durability

Inflated walls are made from drop stitch material, providing unparalleled strength and durability. These threads securely connect the material surfaces internally, while carefully applied sidewalls seal the finished inflated cavity. This creates a panel that effectively supports considerable weight while itself being light and easily portable when deflated.



<b>ITEM NO</b>	54189	54190
<b>CAPACITY</b>	5-7 ADULTS	5-7 ADULTS
<b>WATER CAPACITY (80%)</b>	1,123 L (297 GAL.)	297 GAL. (1,123 L)
<b>INFLATED SIZE</b>	1.80 M X 66 CM (71" X 26")	71 IN. X 26 IN. (1.80 M X 66 CM)
<b>INNER SIZE</b>	1.70 M (67")	67 IN. (1.70 M)
<b>FILLED WEIGHT</b>	1155 KG (2,548 LBS)	2,548 LBS (1155 KG)
<b>RATING</b>	220-240V~50HZ, 2050W AT 20°C	110-120V~60HZ, 12A AT 20°C
<b>ACTUAL WATER FLOW</b>	1,325 L/H (350 GAL./H)	350 GAL./H (1,325 L/H)
<b>HEATING SYSTEM</b>	APPROX. 1.0-1.5°C/H (2-3°F/H)	APPROX. 1-2°F/H (0.5-1.0°C/H)
<b>MAX HEAT CAPABILITY</b>	40°C (104°F)	104°F (40°C)
<b>CERTIFICATION</b>	CE, GS	C-ETL
<b>PACK/ GROSS WEIGHT</b>	1 EA., 38.40 KG (84.66 LBS)	1 EA., 84.75 LBS (38.44 KG)



Lock/Unlock Button

LED Display

Power Saving Timer

Temperature/ Hour Adjustment

AirJet System

Power On/Off

Water Filter Activation

Celsius/Fahrenheit Mode Toggle

Heat Activation

**AirJet™**  
MESSAGE ACTION

**Combination**  
HEAT & AIR MASSAGE

**Power Saving**  
TIMER

**Maximum**  
TEMPERATURE

**5 TO 7**  
**People**

**No Tools**  
REQUIRED

**Ground Fault**  
DETECTION SYSTEM

\*Most spas have ground fault detection system (GDS).



**Includes**



**ChemConnect™**  
DISPENSER



**Filter**  
CARTRIDGE



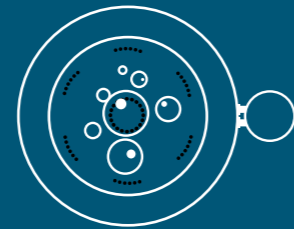
**High Pressure**  
HAND PUMP



# AirJet Plus™

## MASSAGING BUBBLES ARE THE PERFECT WAY TO UNWIND.

The AirJet Plus system releases bubbles from both the bottom and the sidewalls of the spa to target both the legs and back.

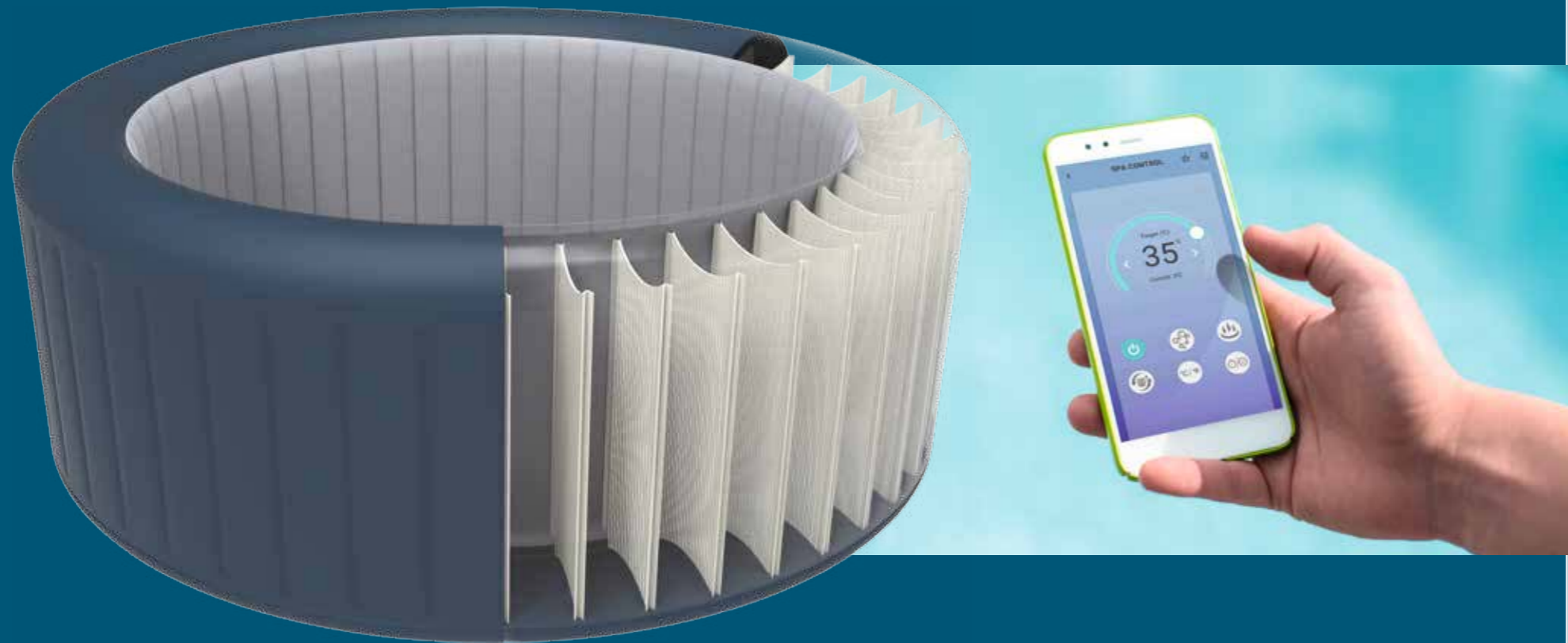


AIRJET PLUS POSITIONING



COMBINATION HEAT & AIR MASSAGE





# A P P C O N N E C T I O N

With the Bestway Smart Hub app, control is right in the palm of your hand. This brand new innovation makes the Lay-Z-Spa one of the most convenient in the market. Compatible with smart devices, the Spa Control section of the app lets users set their spa to the perfect temperature. They can also activate the Power-Saving Timer, the water filter, and the AirJet massage system with the touch of a button!

**AirJet Plus™**



## Bestway SMART HUB APP



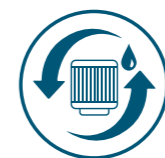
**HEAT Control**  
SET TO YOUR PERFECT  
TEMPERATURE



**AirJet™ Settings**  
ADJUSTABLE MASSAGE  
ACTION



**Set Timer**  
POWER SAVING TIMER



**Filtration**  
WATER FILTER  
ACTIVATION



Download the Bestway Smart Hub App today!

- Quick Setup**
- 1 Download**  
THE BESTWAY  
SMART HUB APP
  - 2 Click**  
ON SPA
  - 3 Follow**  
THE SETUP  
INSTRUCTIONS

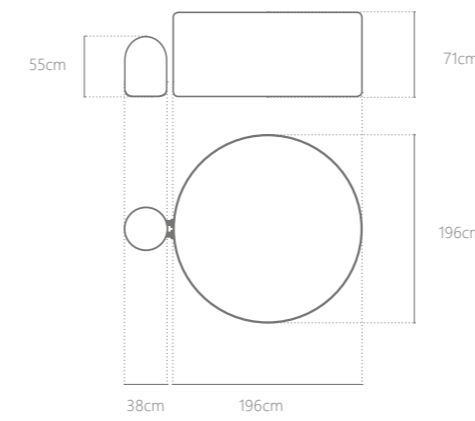




# Milan

54184 • 54185

**AirJet Plus™**



- Inflated walls are made of Tritech™ material, providing premium durability and comfort
- Soothing AirJet™ system (80 AirJets)
- Power-saving, automatic timer-controlled heating system
- Integrated water filtration system
- Reinforced cover with safety lock clips and built-in air chamber for insulation
- Freeze Shield™ winterizing system will allow you to enjoy your spa all year long (only for #54184)
- Automatic heating function - heating starts at 6°C (42°F), and stops at 10°C (50°F) to prevent water from freezing (only for #54184)
- Mosaic print on the inside
- Built-in Wi-Fi module, spa can be controlled through a phone app
- Full color box

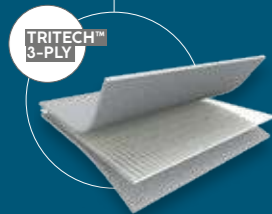
Contents: 1 pool liner, 1 pool cover, 1 spa pump, 1 ChemConnect™ dispenser, filter cartridge (VI), repair kit, AirJet™ Plus system



# Y - B E A M CONSTRUCTION

## Delivering strength and comfort

Lay-Z-Spa's Y-Beam construction is designed to offer superior structural stability while maintaining a comfortable surface for a luxurious, refreshing spa experience.



The spa retains its shape no matter how many times it's inflated and deflated, always providing a comfortable, cushioned spa environment.

<b>ITEM NO</b>	54184	54185
<b>CAPACITY</b>	4-6 ADULTS	4-6 ADULTS
<b>WATER CAPACITY (80%)</b>	916 L (242 GAL.)	242 GAL. (916 L)
<b>INFLATED SIZE</b>	1.96 M X 71 CM (77" X 28")	77 IN. X 28 IN. (1.96 M X 71 CM)
<b>INNER SIZE</b>	1.46 M (57")	57 IN. (1.46 M)
<b>FILLED WEIGHT</b>	954 KG (2,103 LBS)	2,103 LBS (954 KG)
<b>RATING</b>	220-240V~50HZ, 2050W AT 20°C	110-120V~60HZ, 12A AT 20°C
<b>ACTUAL WATER FLOW</b>	1,325 L/H (350 GAL./H)	320 GAL./H (1,211 L/H)
<b>HEATING SYSTEM</b>	APPROX. 1.5-2.0°C/H (3-4°F/H)	APPROX. 2-3°F/H (1.0-1.5°C/H)
<b>MAX HEAT CAPABILITY</b>	40°C (104°F)	104°F (40°C)
<b>CERTIFICATION</b>	CE, GS	C-ETL
<b>PACK/ GROSS WEIGHT</b>	1 EA., 41.25 KG (90.94 LBS)	1 EA., 92.79 LBS (42.09 KG)



**AirJet Plus™**  
MESSAGE ACTION

**Combination**  
HEAT & AIR MASSAGE

**Power Saving**  
TIMER

**Maximum**  
TEMPERATURE

**4 TO 6**  
**People**

**No Tools**  
REQUIRED

**Includes**



**ChemConnect™**  
DISPENSER



**Filter**  
CARTRIDGE

**APP**  
CONTROL

**Ground Fault**  
DETECTION SYSTEM

\*Most spas have ground fault detection system (GDS).

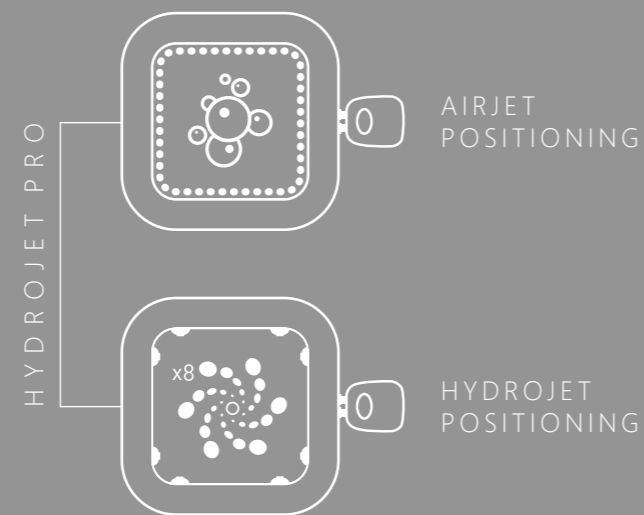
**Feet**  
MASSAGE



# HydroJet Pro™

## PERFECT SPA RELAXATION AT YOUR FINGERTIPS!

HydroJet Pro is the best of both worlds! Adjustable HydroJet nozzles that release water bubbles combined with AirJets along the bottom provide the ultimate hydrotherapy massage.



COMBINATION  
HEAT & AIR MASSAGE

### AIRJETS

Openings encircle the perimeter of the spas floor to produce relaxing bubbles.

### FLOW CONTROL AND DIRECTION

Pivot the nozzle to direct the jet wherever you wish. Twist the bezel to adjust the flow rate.

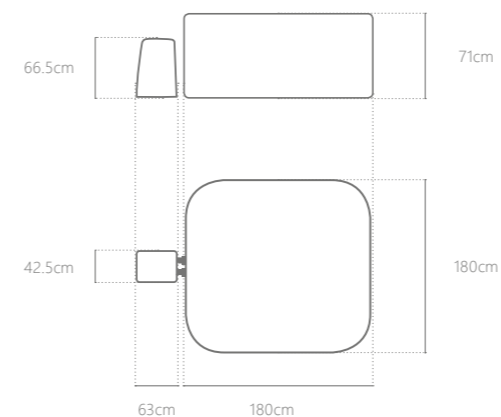




# Hawaii

54138 • 54139

**HydroJet Pro™**



- Power-saving, automatic timer-controlled heating system
- Reinforced cover with safety lock clips and built-in air chamber for insulation
- Inflated walls are made of Tritech™ material, providing premium durability and comfort
- Hydrodynamic massage system (8 HydroJets and #54138: 120 AirJets / #54139: 114 AirJets)
- Integrated water filtration system
- Full color box

Contents: 1 pool liner, 1 pool cover, 1 spa pump, 1 ChemConnect™ dispenser, filter cartridge (VI), repair kit, AirJet™ system, HydroJet™ system



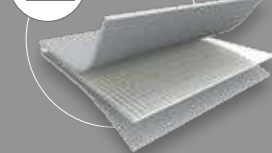
# Y-BEAM CONSTRUCTION

## Delivering strength and comfort

Lay-Z-Spa's Y-Beam construction is designed to offer superior structural stability while maintaining a comfortable surface for a luxurious, refreshing spa experience.

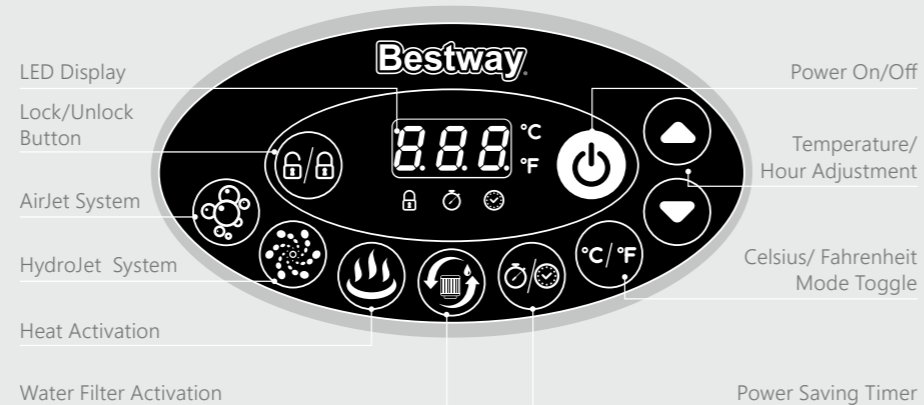


TRITECH™  
3-PLY



The spa retains its shape no matter how many times it's inflated and deflated, always providing a comfortable, cushioned spa environment.

<b>ITEM NO</b>	54138	54139
<b>CAPACITY</b>	4-6 ADULTS	4-6 ADULTS
<b>WATER CAPACITY (80%)</b>	795 L (210 GAL.)	210 GAL. (795 L)
<b>INFLATED SIZE</b>	1.80 M X 1.80 M X 71 CM (71" X 71" X 28")	71 IN. X 71 IN. X 28 IN. (1.80 M X 1.80 M X 71 CM)
<b>INNER SIZE</b>	1.30 M X 1.30 M (51" X 51")	51 IN. X 51 IN. (1.30 M X 1.30 M)
<b>FILLED WEIGHT</b>	867 KG (1,911 LBS)	1,911 LBS (867 KG)
<b>RATING</b>	220-240V~50HZ, 2060W AT 20°C	110-120V~60HZ, 12A AT 20°C
<b>ACTUAL WATER FLOW</b>	1,325 L/H (350 GAL./H)	320 GAL./H (1,211 L/H)
<b>HEATING SYSTEM</b>	APPROX. 1.5-2.0°C/H (3-4°F/H)	APPROX. 2-3°F/H (1.0-1.5°C/H)
<b>MAX HEAT CAPABILITY</b>	40°C (104°F)	104°F (40°C)
<b>CERTIFICATION</b>	CE	C-ETL
<b>PACK/ GROSS WEIGHT</b>	1 EA., 68.90 KG (151.90 LBS)	1 EA., 155.43 LBS (70.50 KG)



**HydroJet™**  
MASSAGE ACTION

**AirJet™**  
MASSAGE ACTION

**Combination**  
HEAT & AIR MASSAGE

**Power Saving**  
TIMER

**Maximum**  
TEMPERATURE

**Ground Fault**  
DETECTION SYSTEM

\*Most spas have ground fault detection system (GDS).

**No Tools**  
REQUIRED

**4 TO 6**  
**People**

Includes



**ChemConnect™**  
DISPENSER



**Filter**  
CARTRIDGE

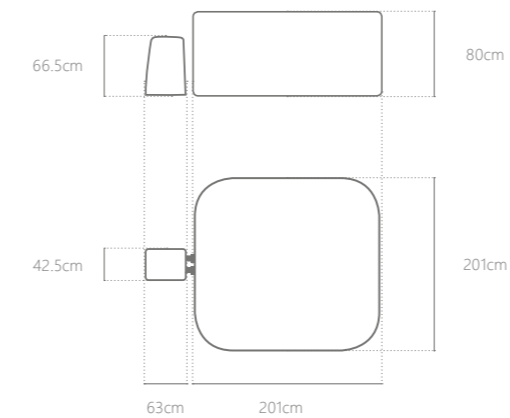




# Maldives

54173 • 54296

**HydroJet Pro™**



- Power-saving, automatic timer-controlled heating system
- Reinforced cover with safety lock clips and built-in air chamber for insulation
- Inflated walls are made of Tritech™ material
- Hydrodynamic massage system (8 HydroJets and #54173: 140 AirJets / #54296: 134 AirJets)
- Additional exhaust fitting expedites deflation when preparing for storage
- ColorJet LED light - water-powered light alternates between 7 different colors
- Inflatable seat and lounge provides an ultra-comfortable experience
- Full color box

Contents: 1 pool liner, 1 pool cover, 1 spa pump, 1 ChemConnect™ dispenser, filter cartridge (VI), 2 water powered LED lights, repair kit, AirJet™ system, HydroJet™ system



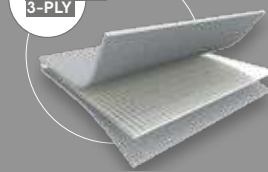
# Y - B E A M C O N S T R U C T I O N

## Delivering strength and comfort

Lay-Z-Spa's Y-Beam construction is designed to offer superior structural stability while maintaining a comfortable surface for a luxurious, refreshing spa experience.

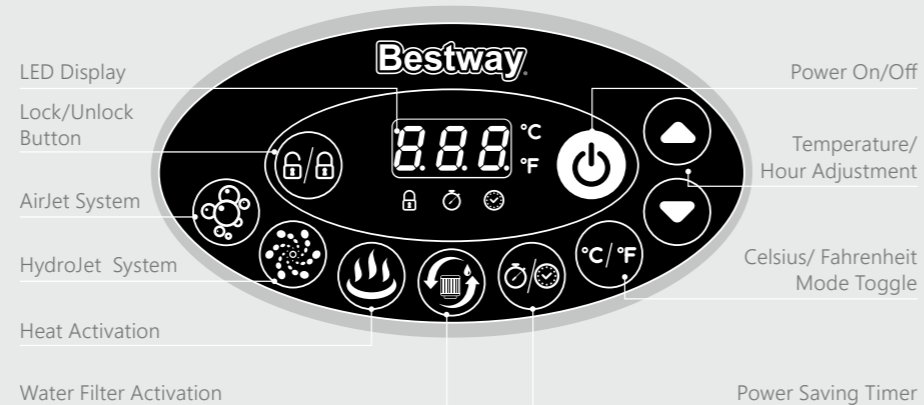


TRITECH™  
3-PLY



The spa retains its shape no matter how many times it's inflated and deflated, always providing a comfortable, cushioned spa environment.

<b>ITEM NO</b>	54173	54296
<b>CAPACITY</b>	5-7 ADULTS	5-7 ADULTS
<b>WATER CAPACITY (80%)</b>	1,050 L (277 GAL.)	277 GAL. (1,050 L)
<b>INFLATED SIZE</b>	2.01 M X 2.01 M X 80 CM (79" X 79" X 31.5")	79 IN. X 79 IN. X 31.5 IN. (2.01 M X 2.01 M X 80 CM)
<b>INNER SIZE</b>	1.51 M X 1.51 M (59" X 59")	59 IN. X 59 IN. (1.51 M X 1.51 M)
<b>FILLED WEIGHT</b>	1,117 KG (2,463 LBS)	2,463 LBS (1,117 KG)
<b>RATING</b>	220-240V~50HZ, 2060W AT 20°C	110-120V~60HZ, 12A AT 20°C
<b>ACTUAL WATER FLOW</b>	1,325 L/H (350 GAL./H)	320 GAL./H (1,211 L/H)
<b>HEATING SYSTEM</b>	APPROX. 1-1.5°C/H (2-3°F/H)	APPROX. 1-2°F/H (0.5-1°C/H)
<b>MAX HEAT CAPABILITY</b>	40°C (104°F)	104°F (40°C)
<b>CERTIFICATION</b>	CE	C-ETL
<b>PACK/ GROSS WEIGHT</b>	1 EA., 83.12 KG (183.25 LBS)	1 EA., 185.67 LBS (84.22 KG)



**Combination**  
HEAT & AIR MASSAGE

**Power Saving**  
TIMER

**HydroJet™**  
MASSAGE ACTION

**ColorJet™**  
LED LIGHT

**AirJet™**  
MASSAGE ACTION

**No Tools**  
REQUIRED

**Feet**  
MASSAGE

**Includes**



**ChemConnect™**  
DISPENSER



**Filter**  
CARTRIDGE



**ColorJet™**  
LED LIGHT

**Maximum**  
TEMPERATURE

**Ground Fault**  
DETECTION SYSTEM

\*Most spas have ground fault detection system (GDS).

**5 TO 7**  
**People**





## ACCESSORIES

For easy maintenance and added comfort for your spa, Bestway® has a range of accessory options to choose from. Pillows, floor protectors, testing kits, filters, inflatable domes and electric pool vacuums are some of the ways to maximize your comfort and cleanliness of your spa.





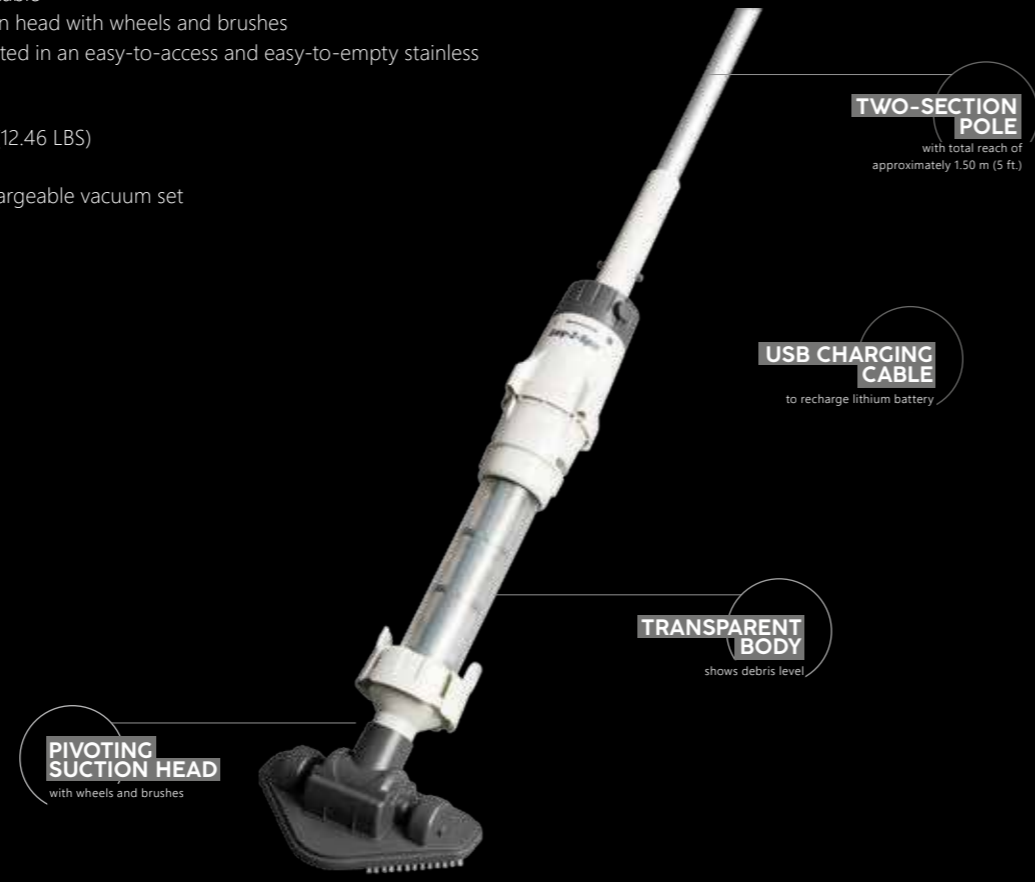


# Rechargeable UNDERWATER VACUUM

58487

- Ideal for spas and small pools
- Rechargeable lithium battery, no memory effect and constant performance lasting 30 minutes
- USB charging cable
- Pivoting suction head with wheels and brushes
- Debris is collected in an easy-to-access and easy-to-empty stainless steel filter
- Full color box
- 4 Ea., 5.65 KG (12.46 LBS)

Contents: 1 rechargeable vacuum set



**TWO-SECTION POLE**  
with total reach of approximately 1.50 m (5 ft.)

**USB CHARGING CABLE**  
to recharge lithium battery

**TRANSPARENT BODY**  
shows debris level

**PIVOTING SUCTION HEAD**  
with wheels and brushes

**NEW**



## ColorJet LED Light

58471

- 7 color options
- 2 light modes: fixed or alternating
- One-touch operation-simply press top button
- Full color box
- 6 Ea., 1.75 KG (3.86 LBS)

Contents: 1 ColorJet LED light

**NEW**



## 7-Color LED Light

58492

- LED light alternates between 7 colors
- One-touch operation-simply press top button
- Uses 3 AAA batteries (not included)
- Two hours of run time with auto-shutoff feature
- Full color box
- 6 Ea., 0.98 KG (2.16 LBS)

Contents: 1 7-Color LED Light





## Canopy

58464

- 1.83 m x 94 cm x 1.09 m / 6' x 37" x 43"
- Suitable for all Bestway spas
- High density, ventilated mesh windows
- Waterproof fabric: 190T Polyester PU1000mm coated
- UV index UPF 30+

- Two removable guy lines to provide stability
- Full color box
- 3 Ea., 4.09 KG (9.01 LBS)

Contents: 1 tent, 3 poles, 2 guy lines, 1 storage bag



## Dome

58460

- 3.90 m x 3.90 m x 2.55 m / 12'9" x 12'9" x 8'4"
- Sets up in 15 minutes with 2 people
- Fits all Bestway Spas
- Suitable as a gazebo for use in the garden or backyard. Also can be used for pools up to 3.66 m (12") diameter
- Detachable fabric doors and mesh doors, suitable for both winter and summer
- Fabric: 190T polyester PU1000mm coated
- Product unit weight: 14.18 KG (31.26 LBS)

- 4 large inside pockets to store personal items
- Full color box
- 2 Ea., 29.65 KG (65.37 LBS)

Contents: 1 tent, 4 detachable fabric doors, 4 detachable mesh doors, carry bag



**NEW DESIGN**



## Drink Holder

58416

- Compatible with all Lay-Z-Spas (except Monaco & Helsinki)
- Includes two drink holders and one tray
- Keep beverages or snacks close by while you relax
- Position anywhere on the top of spa sidewall
- Full color box
- 12 Ea., 8.95 KG (19.73 LBS)

Contents: 2 drinks holders, 1 tray

## Surround

58432

- 2.00 m x 40 cm x 40 cm / 78" x 16" x 16"
- Inflatable spa surround
- Made of Tritech™ material
- Solid I-beam structure
- Inflate using spa pump or air pump
- Can be connected by velcro which is located on each end
- 3 surrounds form a circle you can assemble around the spa to sit or lie on
- Suitable for round spa
- Full color box
- 1 Ea., 7.85 KG (17.31 LBS)

Contents: 1 surround, repair patch



**NEW GENERATION**



## Pillow

58580

- Soft pillow provides head and neck support
- Organic PU foam is 100% waterproof and resistant to chemicals and odors
- Securely connects to all Lay-Z-Spas (except Monaco & Helsinki)
- Also compatible with bath tubs
- Full color box
- 4 Ea., 3.96 KG (8.73 LBS)

Contents: 2 pillows

## Floor Protector

58461

- Round protector 2.11 m (83") for the spa
- Square protector 40 cm x 50 cm (15.5" x 19.5") mat for spa heater
- Durable polyethylene material that provides protection for your spa
- Compatible with all Bestway spa sizes (except Maldives)
- Package contains 10 pieces (9 attachable, 1 individual)
- Shrink wrapped with insert card
- 4 Sets, 8.20 KG (18.08 LBS)

Contents: 1 floor protector set







SCRUBBING MITT



SCOOP



BRUSH

## All In One Tool Set

58421

### Lay-Z-Spa™ Scoop

- Bumper protects spa surface
- Round shaped design fits the contours of the spa's interior
- Deep net to collect debris
- Handheld or connects to standard telescopic pole

### Lay-Z-Spa™ Brush

- Bumper and nylon bristles protect spa's surface
- Handheld or connects to standard telescopic pole

### Lay-Z-Spa™ Scrubbing Mitt

- Scrub along spa water line
- Latex glove bonded with scrubber pad

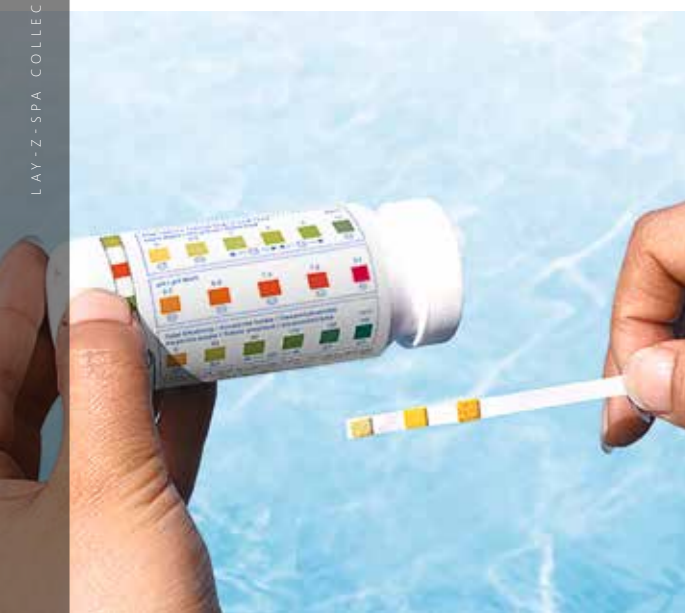
- Full color box
- 8 Ea., 7.30 KG (16.09 LBS)

Contents: 1 scoop, 1 brush , 1 scrubbing mitt

## Test Strips

58142

- 3-in-1 Test Strip:
  - Free Chlorine
  - pH
  - Total Alkalinity
- Measures Free Chlorine 0 to 10 ppm, Alkalinity 0 to 240 ppm and pH 6.2 to 8.4 with instant results
- Blister card
- 24 Ea., 1.20 KG (2.65 LBS)



## Filter Cartridge TYPE VI

58323

- 10.6 cm x 8.0 cm / 4.2" x 3.1"
- Replacement cartridge for Lay-Z-Spa™
- Easy to clean
- Shrink wrapped with insert card
- Full color box
- 6 Sets., 1.45 KG (3.20 LBS)

Contents: 2 filter cartridges



## ANTIMICROBIAL Filter Cartridge TYPE VI

58477

- 10.6 cm x 8.0 cm / 4.2" x 3.1"
- Replacement cartridge for spa
- Easy to clean
- Does not replace the use of regular chlorine maintenance
- Antimicrobial filter paper controls growth of bacteria
- Very strong antimicrobial effect on surface
- Broad spectrum antibacterial effect
- According to standard ISO 22196 Measurement of antibacterial activity on plastics and other non-porous surfaces, our filter cartridge guarantees optimum performance for 2 weeks usage: Staphylococcus aureus (ATCC 6538) Antibacterial rate ≥ 99.9%  
Escherichia coli (ATCC 8739) Antibacterial rate ≥ 99.9%  
Klebsiella Pneumoniae ( ATCC 4352) Antibacterial rate ≥ 99.9%
- Full color box
- 6 sets., 2.00 KG (4.41 LBS)

Contents: 2 filter cartridges



# Lay-Z-Spa™ Technical Features

	SPA	STURDY BEAM	STURDY Y-BEAM	DROP STITCH	POWER SAVING TIMER	CLEANING/WATER FILTER ACTIVATION	HEATING SYSTEM	LED LIGHTS	APP REMOTE CONTROL
AIRJET™	MIAMI	•			•	•	•		
	CANCUN	•			•	•	•		
	TAHITI	•			•	•	•	•	
	PARIS	•			•	•	•	•	
	PALM SPRINGS		•		•	•	•		
	HONOLULU		•		•	•	•		
	HAWAII		•		•	•	•		
	ST. MORITZ		•		•	•	•		
	HELSINKI				•	•	•		
	AIRJET PLUS™	<b>+</b> MILAN		•		•	•	•	•
HYDROJET PRO™	HAWAII		•		•	•	•		
	MALDIVES		•		•	•	•	•	

# Lay-Z-Spa™ Xtras Compatibility

ACCESSORIES	AIRJET™ MIAMI	AIRJET™ CANCUN	AIRJET™ TAHITI	AIRJET™ PARIS	AIRJET™ PALM SPRINGS	AIRJET™ HONOLULU	AIRJET™ HAWAII	AIRJET™ ST. MORITZ	AIRJET™ HELSINKI	<b>+</b> AIRJET™ MILAN	HYDROJET PRO™ HAWAII	HYDROJET PRO™ MALDIVES
58487 Rechargeable Underwater Vacuum	•	•	•	•	•	•	•	•	•	•	•	•
58471 ColorJet LED Light											•	•
58492 7-Color LED Light	•	•	•	•	•	•	•	•	•	•	•	•
58464 Canopy	•	•	•	•	•	•	•	•	•	•	•	•
58460 Dome	•	•	•	•	•	•	•	•	•	•	•	•
58416 Drink Holder	•	•	•	•	•	•	•	•	•	•	•	•
58580 Pillow	•	•	•	•	•	•	•	•	•	•	•	•
58432 Surround	•	•	•	•	•	•		•	•	•		
58461 Floor Protector	•	•	•	•	•	•	•	•	•	•	•	
58421 All in One Tool Set	•	•	•	•	•	•	•	•	•	•	•	•
58142 Pool & Spa Test Strips	•	•	•	•	•	•	•	•	•	•	•	•
58323 Filter Cartridge (VI)	•	•	•	•	•	•	•	•	•	•	•	•
58477 Antimicrobial Filter Cartridge (VI)	•	•	•	•	•	•	•	•	•	•	•	•





## ***Inflate***

YOUR LAY-Z-SPA WITH THE PUMP

## ***Connect***

THE PUMP UNIT TO THE LAY-Z-SPA

## ***Fill***

THE LAY-Z-SPA AND ENJOY!

## SETUP AND ***Maintenance***

With the necessary tools already included, Lay-Z-Spa setup is quick and easy!

After finding a flat area to place the spa, it's a simple process of 1, 2, 3.

1. Inflate the spa with the double-functioning spa pump.
2. Connect the pump to the spa, and ensure that all of the tubes are attached to the correct openings.
3. Fill up the spa with water to the indicated level, and enjoy!

Also included with each spa is a chemical floater and filter cartridge to keep the water sparkling. Maintaining clean and healthy pool water is not just important for the user's experience, but it also extends the longevity of the spa.

Thanks to a new function available on all Lay-Z-Spas, the pump can also quickly and conveniently deflate the spa for transport or storage.





# I N D E X

## AirJet™

MIAMI 54123 • 54124 pg 20-23	CANCUN 54286 • 54297 pg 24-27	TAHITI 54186 • 54187 pg 28-31	PARIS 54148 • 54149 pg 32-35	PALM SPRINGS 54129 • 54130 pg 36-39
HONOLULU 54174 • 54295 pg 40-43	HAWAII 54154 • 54155 pg 44-47	ST. MORITZ 54175 • 54176 pg 48-51	HELSINKI 54189 • 54190 pg 52-57	

## AirJet Plus™

MILAN  
54184 • 54185  
pg 62-65

## HydroJet Pro™

HAWAII  
54138 • 54139  
pg 68-71

MALDIVES  
54173 • 54296  
pg 72-75

## Xtras

RECHARGEABLE UNDERWATER VACUUM  
58487 — pg 78

COLORJET LED LIGHT  
58471 — pg 79

7-COLOR LED LIGHT  
58492 — pg 79

CANOPY  
58464 — pg 80

DOMES  
58460 — pg 81

DRINK HOLDER  
58416 — pg 82

PILLOW  
58580 — pg 82

SURROUND  
58432 — pg 83

FLOOR PROTECTOR  
58461 — pg 83

ALL IN ONE TOOL SET  
58421 — pg 84

TEST STRIPS  
58142 — pg 84

FILTER CARTRIDGE (VI)  
58323 — pg 85

ANTIMICROBIAL FILTER CARTRIDGE (VI)  
58477 — pg 85



MIAMI  
54123 • 54124



CANCUN  
54286 • 54297



TAHITI  
54186 • 54187



PARIS  
54148 • 54149



PALM SPRINGS  
54129 • 54130



HONOLULU  
54174 • 54295



HAWAII  
54154 • 54155



ST. MORITZ  
54175 • 54176



HELSINKI  
54189 • 54190



AIRJET PLUS MILAN  
54184 • 54185



HYDROJET PRO HAWAII  
54138 • 54139



HYDROJET PRO MALDIVES  
54173 • 54296



# Fabrics & Finishes

## OUTER TEXTURE