

# Salta



## FIRST CLASS

### ROUND

User manual | Gebruikershandleiding | Gebrauchsanweisung | Mode d'emploi | Brugervejledning  
Käyttöohje | Brukerhåndbok | Bruksanvisning | Manuale dell'utente | Podręcznik użytkownika  
Посібник користувача | Руководство пользователя

GB / NL / DE / FR / DK / FI / NO / SE / IT / PL / UA / RU

ITEM 5371 / 5372 / 5373 / 5374 / 5941

SIZE 251, 305, 366, 427 & 487 cm




**Warning!** Choking hazard, small parts. Adult assembly required. Read this manual prior to assembling and using this trampoline. Retain this manual for future reference.



**Achtung!** Erstickungsgefahr, kleine Teile. Erwachsene Montage erforderlich. Lesen Sie diese Anleitung, bevor Sie das Trampolin aufbauen und benutzen. Diese Anleitung für späteres Nachschlagen aufbewahren.







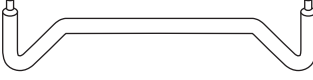
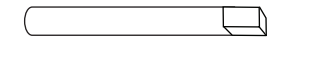
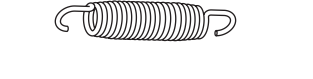
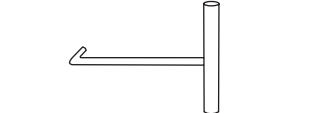



-  **Warning!** Choking hazard, small parts. Adult assembly required. Read this manual prior to assembling and using this trampoline. Retain this manual for future reference.
-  **Achtung!** Erstickungsgefahr, kleine Teile. Erwachsene Montage erforderlich. Lesen Sie diese Anleitung, bevor Sie das Trampolin aufbauen und benutzen. Diese Anleitung für späteres Nachschlagen aufbewahren.
-  **Waarschuwing!** Verstikkingsgevaar, kleine onderdelen. Montage door een volwassene is vereist. Lees deze handleiding voor het assembleren en gebruik van de trampoline. Bewaar deze handleiding voor later.
-  **Avertissement!** Risque d'étouffement, petit pièces. Assemblage par un adulte requis. Lisez ce manuel avant l'assemblage et l'utilisation de ce trampoline. Conservez ce manuel pour réassemblage futur.
-  **Attenzione!** Rischio di soffocamento, piccole parti. Il montaggio deve essere eseguito da un adulto. Leggere il presente manuale prima di montare e utilizzare il trampolino. Conservare il presente manuale per riferimento futuro.
-  **Advarsel!** Risiko for kvælning, indeholder små dele. Produktet skal samles af en voksen. Læs altid instruktioner grundigt inden brug. Behold disse instruktioner til senere brug.
-  **Varoitus!** Tukehtumisvaara, sisältää pieniä osia. Kokoaminen jätettävä aikuisen tehtäväksi. Lue tämä käyttöohje ennen trampoliinin kokoamista ja käyttämistä. Säilytä tämä käyttöohje tulevan tarpeen varalle.
-  **Advarsel!** Kvelningsfare, små deler. Må monteres av voksne. Les denne brukerhåndboken før denne trampolinen monteres og tas i bruk. Ta godt vare på håndboken for fremtidig bruk referanse.
-  **Warning!** Innehåller smådelar. Risk för kvävning. Måste monteras av en vuxen. Läs den här bruksanvisningen innan du monterar och använder studsattan. Spara bruksanvisningen för framtida referens.
-  **Ostrzeżenie!** Zagrożenie zadławieniem małymi elementami. Produkt musi być zmontowany przez osoby pełnoletnie. Przed zmontowaniem i użyciem trampoliny należy przeczytać ten podręcznik. Należy zachować podręcznik.
-  **Увара!** Небезпека задущення, дрібні складові. Монтаж повинні виконувати дорослі. Прочитайте цей посібник, перш ніж зібрати й користуватися цим батутом. Зберігайте цей посібник для подальшого користування.
-  **Внимание!** Опасность удушения, мелкие детали. Требуется сборка взрослыми. Прочтите данное руководство перед сборкой и использованием этого батута. Сохраните руководство для обращения в будущем.

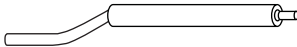
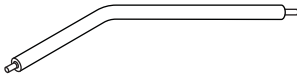
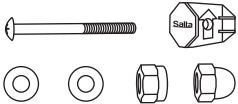
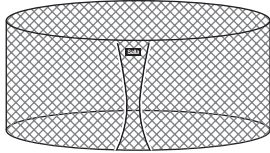
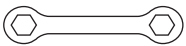







**VIDEO INSTRUCTIONS**

SCAN OR GO TO [WWW.SALTA.COM/QR](http://WWW.SALTA.COM/QR)

## PACK CONTENTS / PACKUNGSINHALT

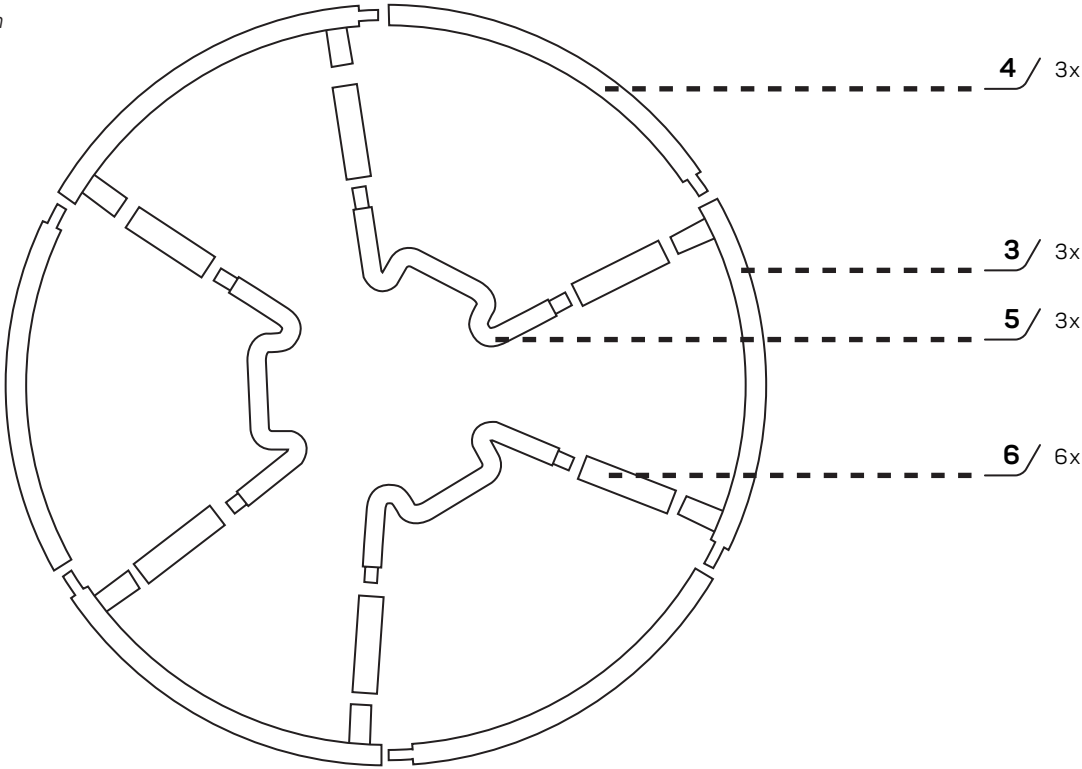
Reference number Referenznummer	Part number Teilenummer	Item image Artikelbild	5371 251 cm	5372 305 cm	5373 366 cm	5374 427 cm	5941 487 cm
1/	SFCRO010		1x	1x	1x	1x	1x
2/	SFCRO020		1x	1x	1x	1x	1x
3/	SFCRO030		3x	4x	4x	4x	6x
4/	SFCRO031		3x	4x	4x	4x	6x
5/	SFCRO050		3x	4x	4x	4x	6x
6/	SFCRO040		6x	8x	8x	8x	12x
7/	SFCRO060		60x	72x	80x	96x	120x
8/	SFCRO070		1x	1x	1x	1x	1x
9/	SFCRO080		12x	16x	16x	16x	24x
10/	SFCRO090		6x	8x	8x	8x	12x
11/	SFCRO100		6x	8x	8x	8x	12x

Reference number Referenznummer	Part number Teilenummer	Item image Artikelbild	5371 251 cm	5372 305 cm	5373 366 cm	5374 427 cm	5941 487 cm
<u>12</u> /	SFCRO510		6x	8x	8x	8x	12x
<u>13</u> /	SFCRO520		6x	8x	8x	8x	12x
<u>14</u> /	SFCRO540		12x	16x	16x	16x	24x
<u>15</u> /	SFCRO500		1x	1x	1x	1x	1x
<u>16</u> /	SFCRO120		1x	1x	1x	1x	1x
<u>17</u> /	SFCRO112		1x	1x	1x	1x	1x
<u>18</u> /	SFCRO550		6x	8x	8x	8x	12x
<u>19</u> /	SFCRO565		6x	8x	8x	8x	12x
<u>20</u> /	SFCRO570		2x	2x	2x	2x	2x
<u>21</u> /	SFCRO580		6x	8x	8x	8x	12x

**1**

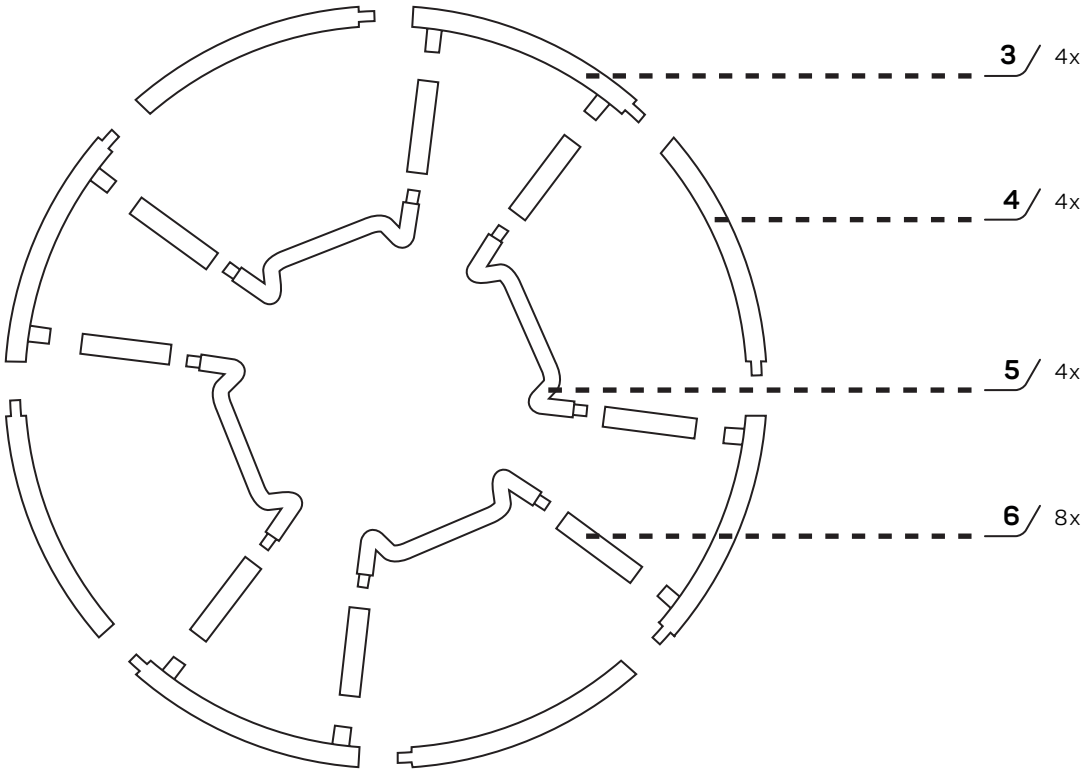
**5371**

251 cm



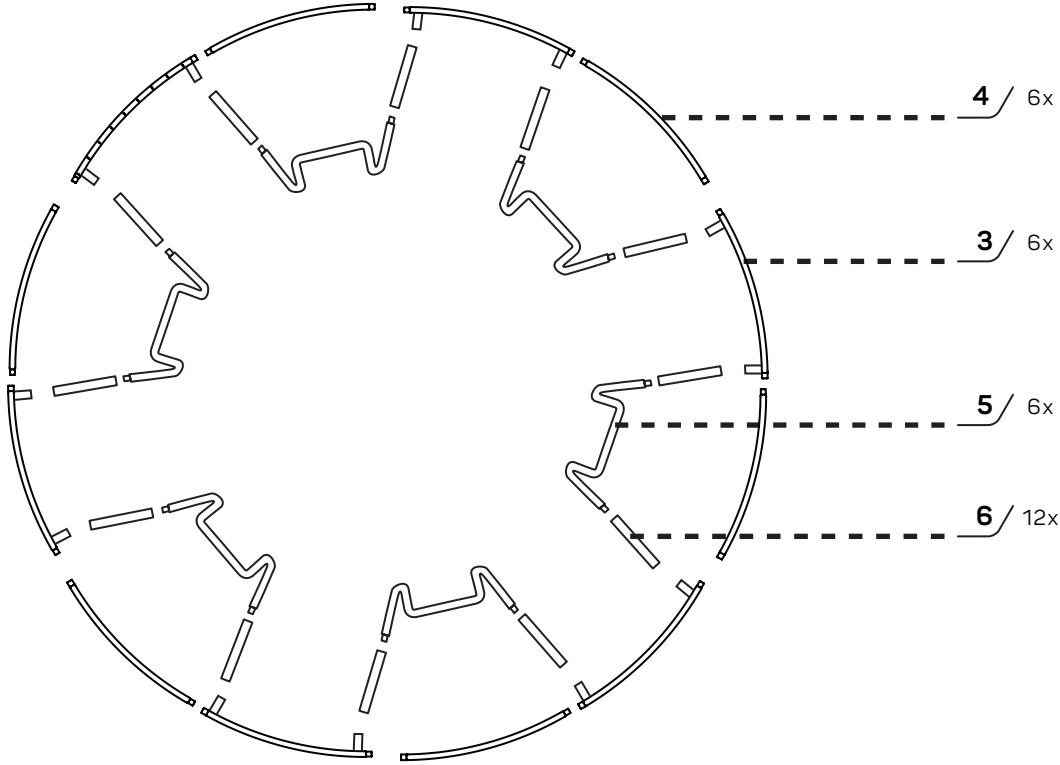
**5372, 5373 & 5374**

305, 366, 427 cm



**5941**

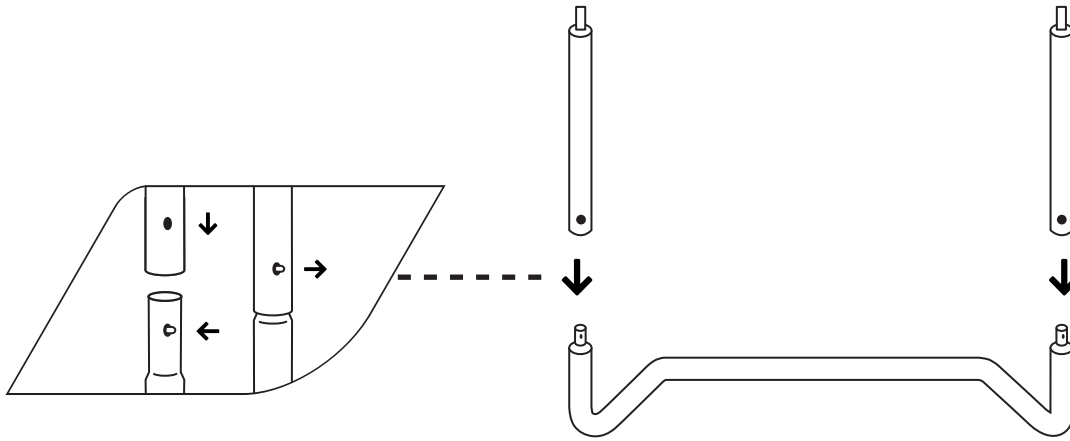
487 cm



# 2



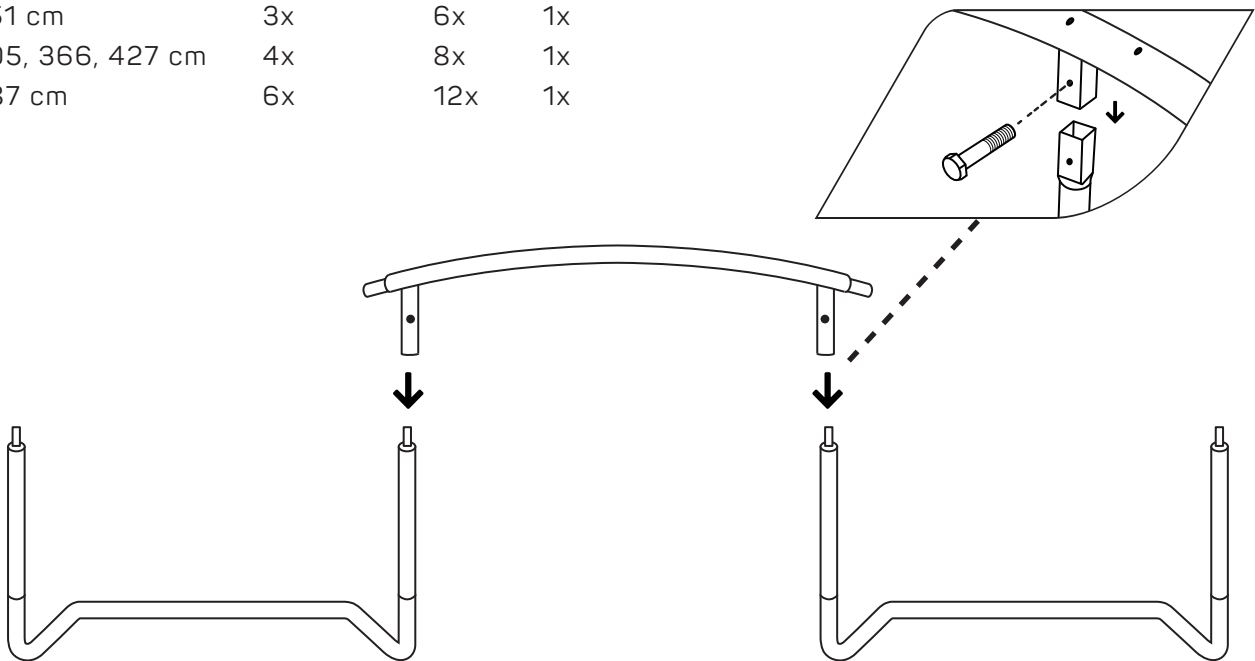
	<u>5/</u>	<u>6/</u>
251 cm	3x	6x
305, 366, 427 cm	4x	8x
487 cm	6x	12x



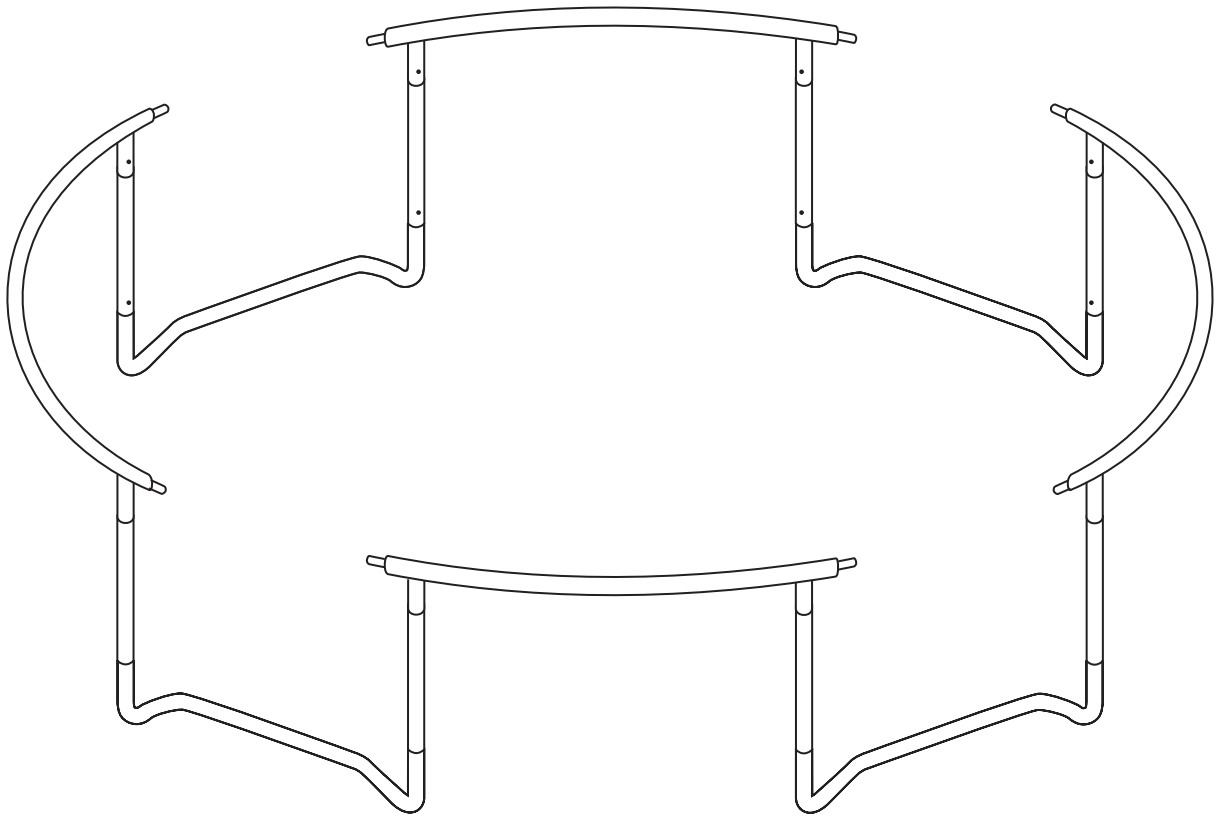
# 3

	<u>3/</u>	<u>11/</u>	<u>16/</u>
251 cm	3x	6x	1x
305, 366, 427 cm	4x	8x	1x
487 cm	6x	12x	1x

251 cm  
305, 366, 427 cm  
487 cm





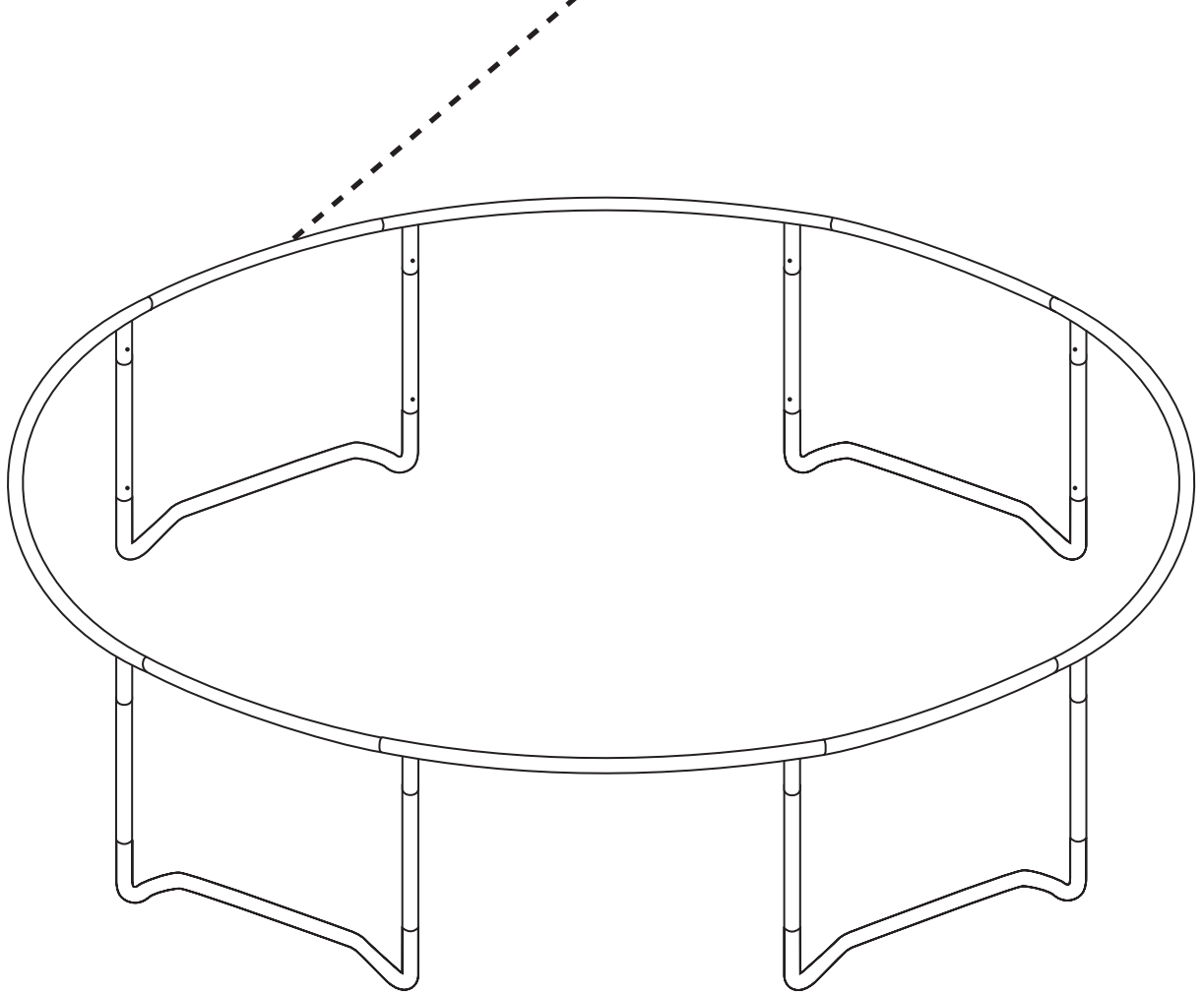
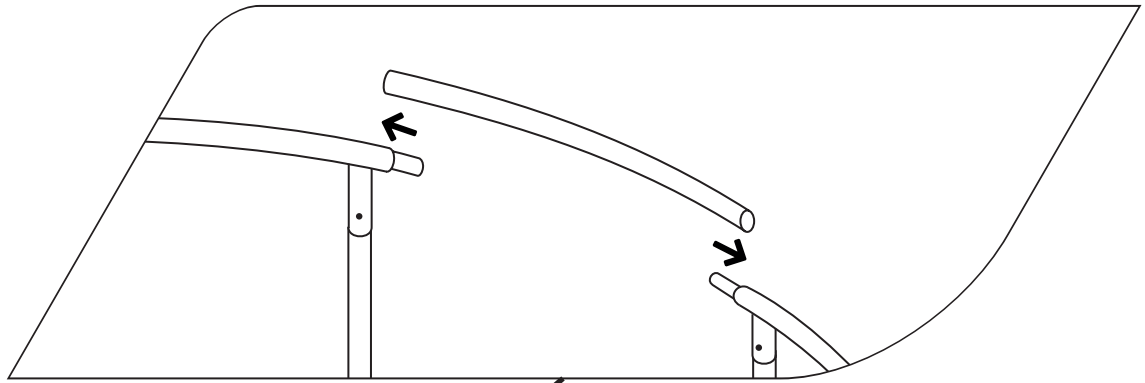


**5**

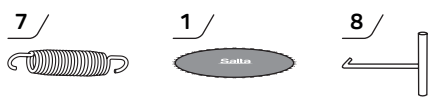
4/



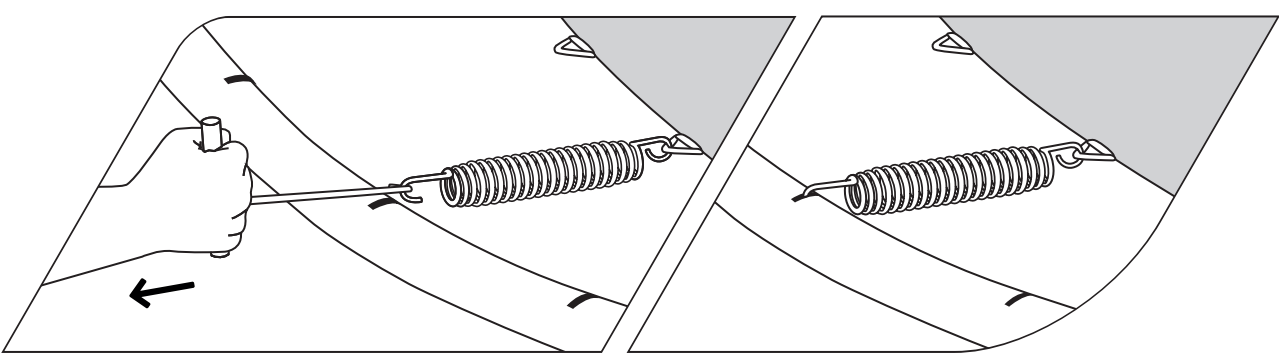
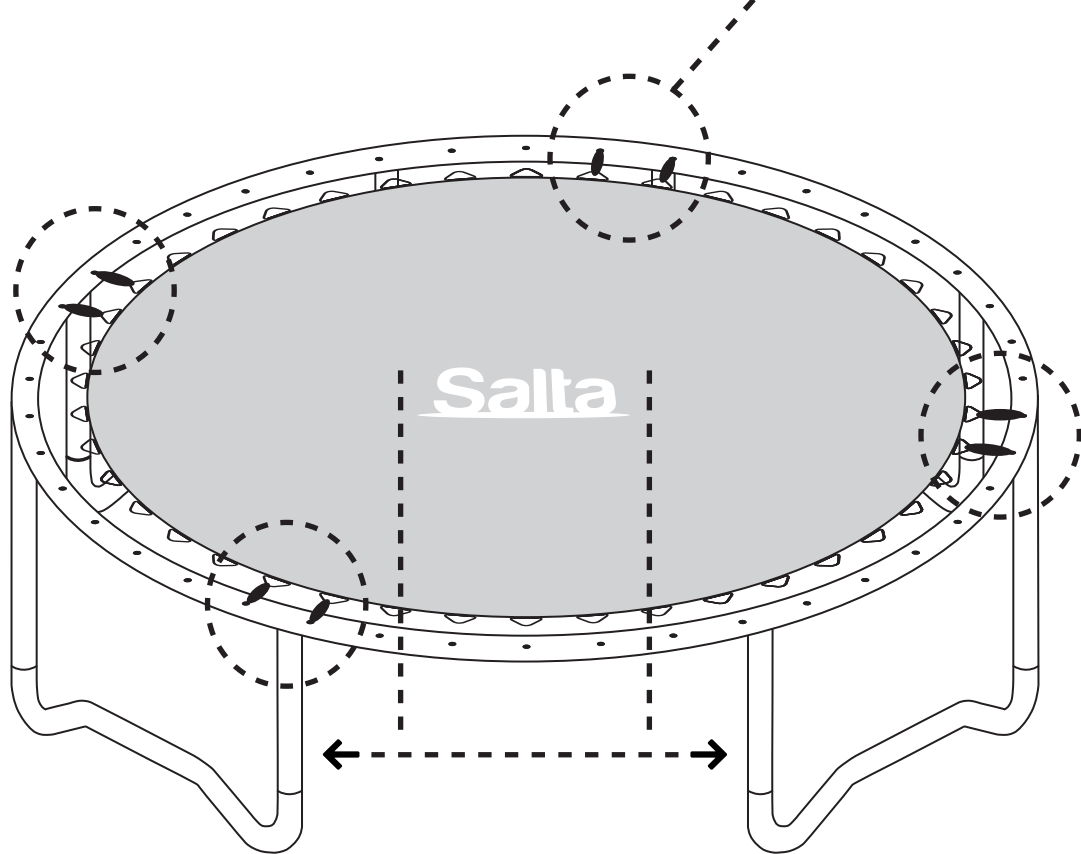
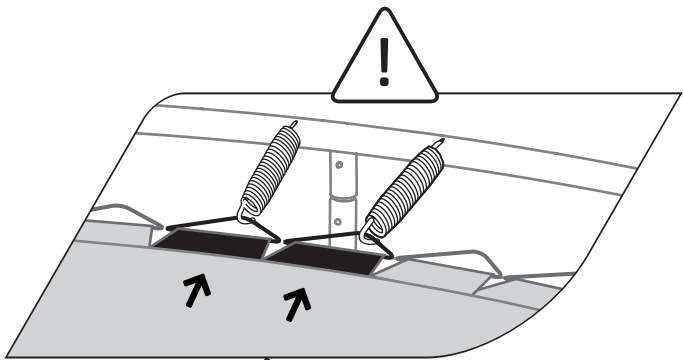
- 251 cm            3x
- 305, 366, 427 cm    4x
- 487 cm            6x

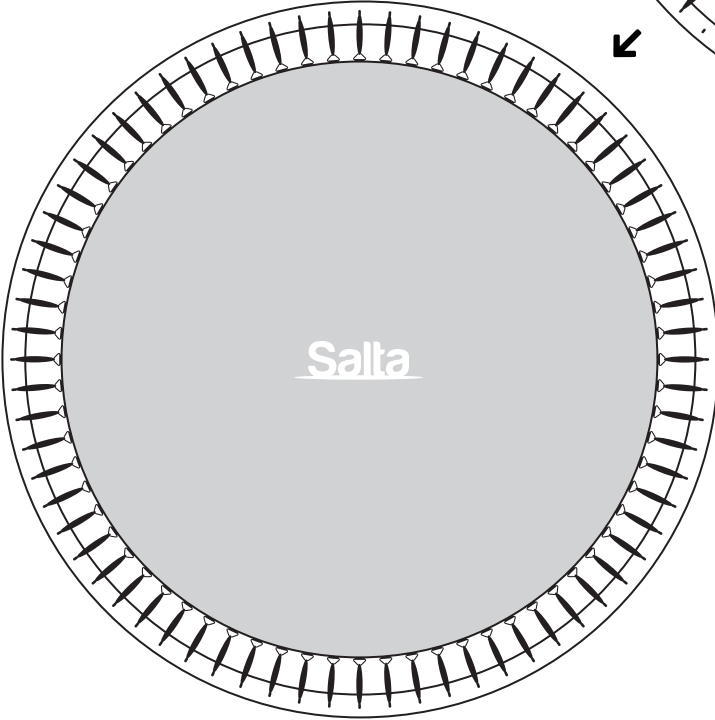
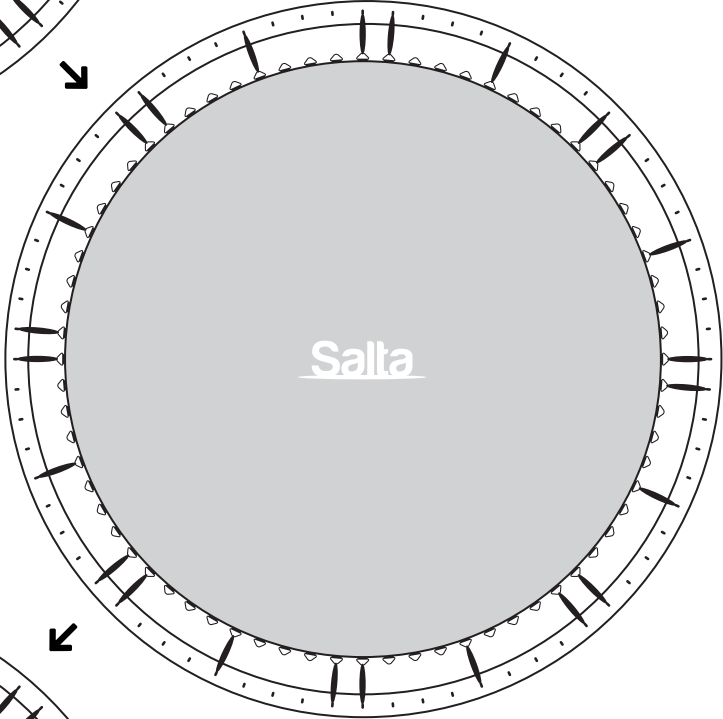
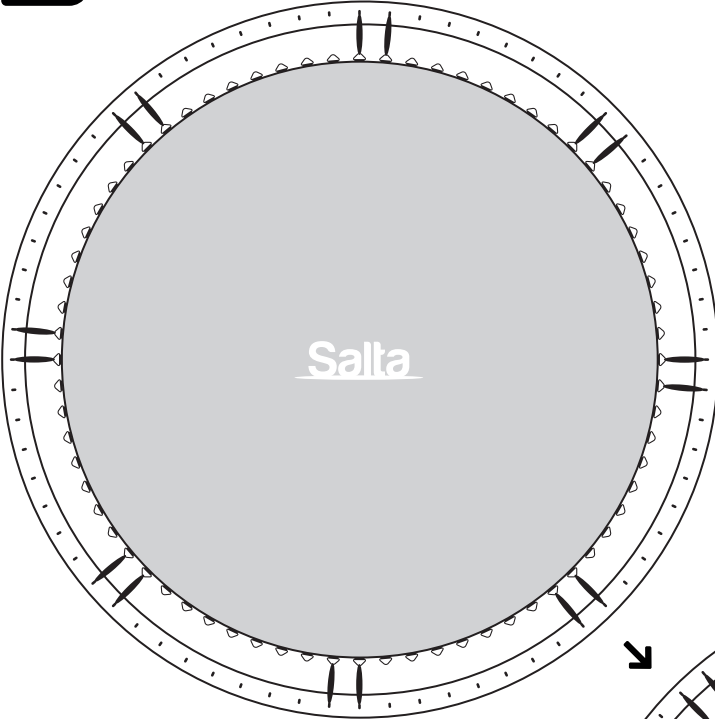


**6**



251 cm	60x	1x	1x
305 cm	72x	1x	1x
366 cm	80x	1x	1x
427 cm	96x	1x	1x
487 cm	120x	1x	1x



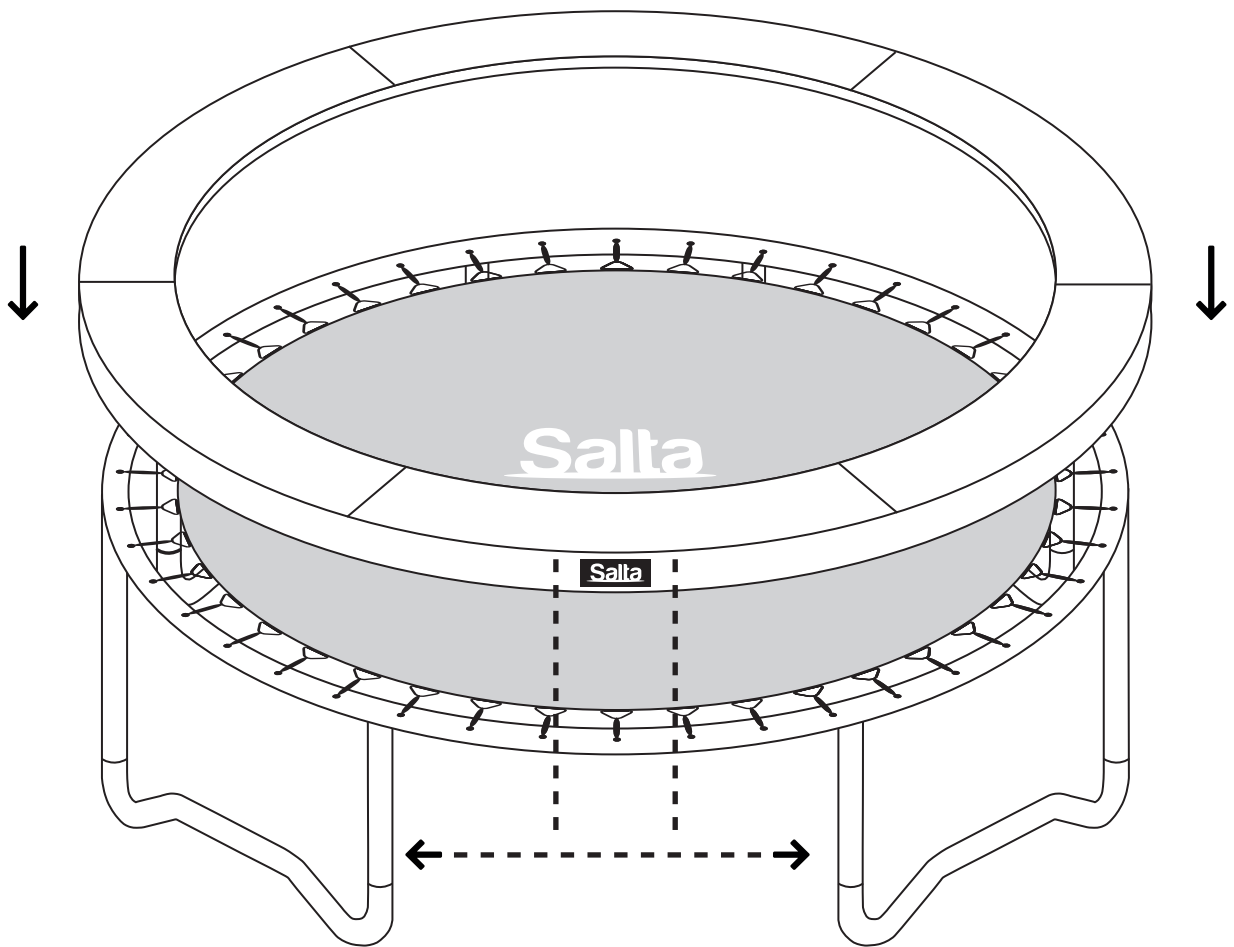


8



2/



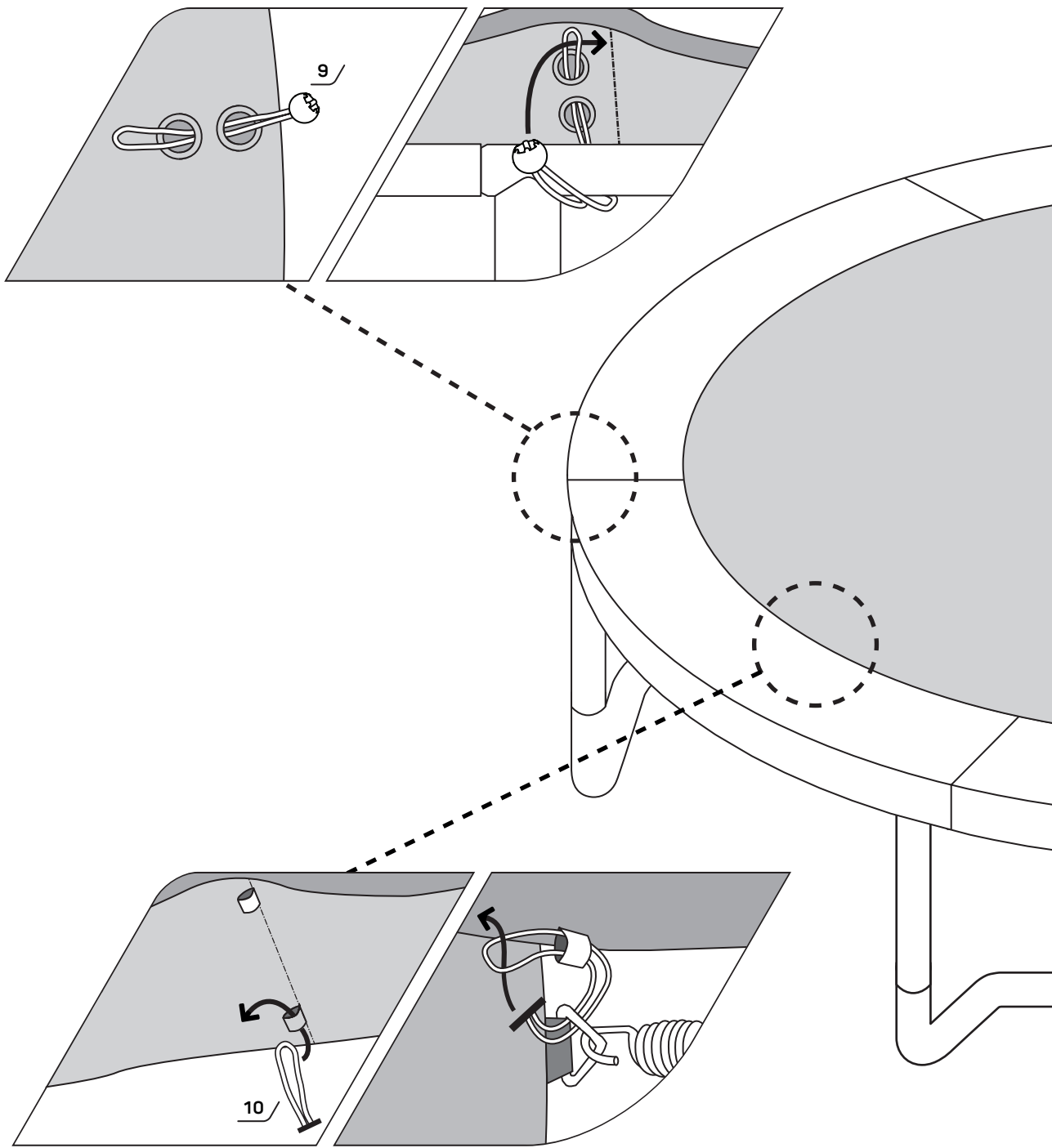
1x



**9**



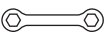

<u>9</u>	<u>10</u>
	
12x	6x
16x	8x
24x	12x

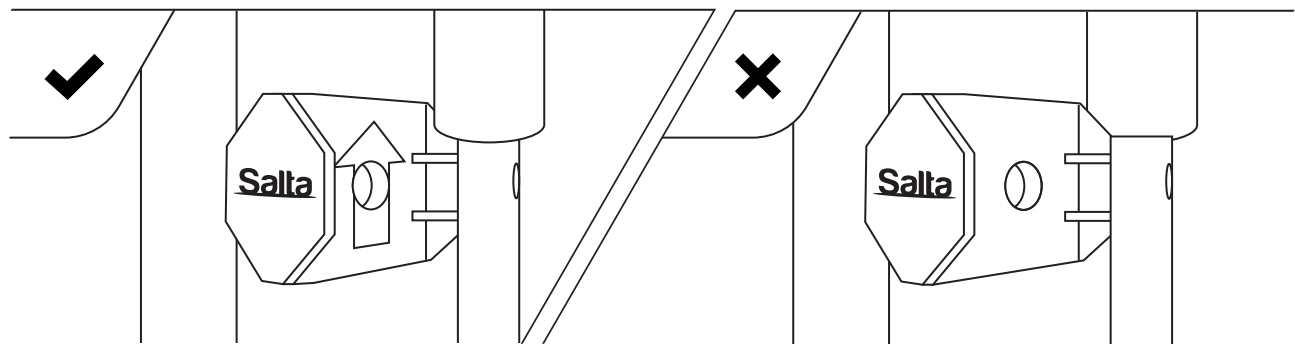
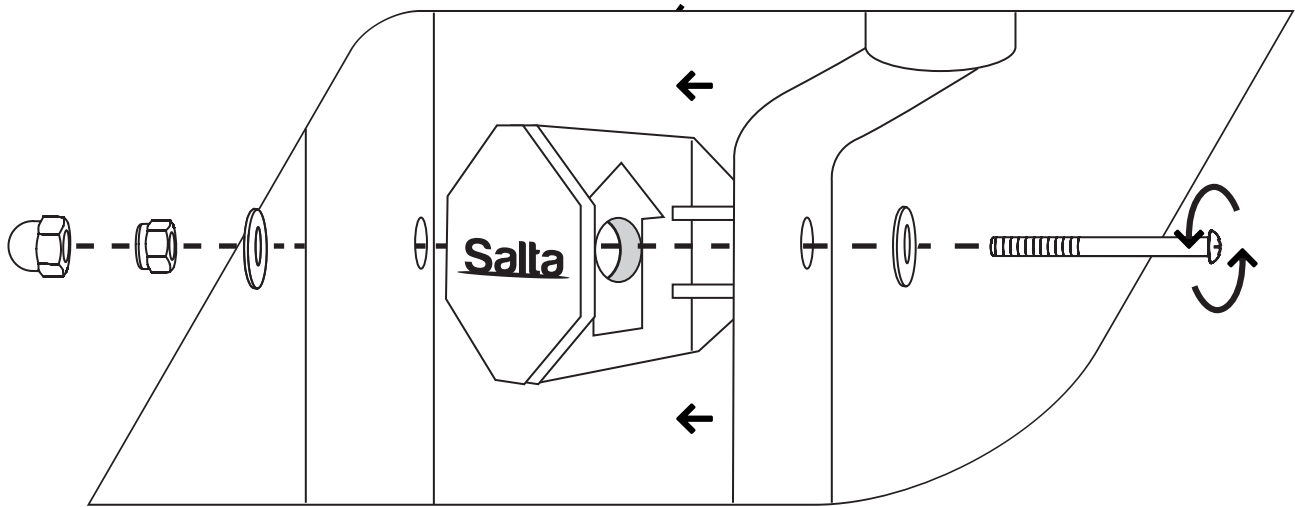
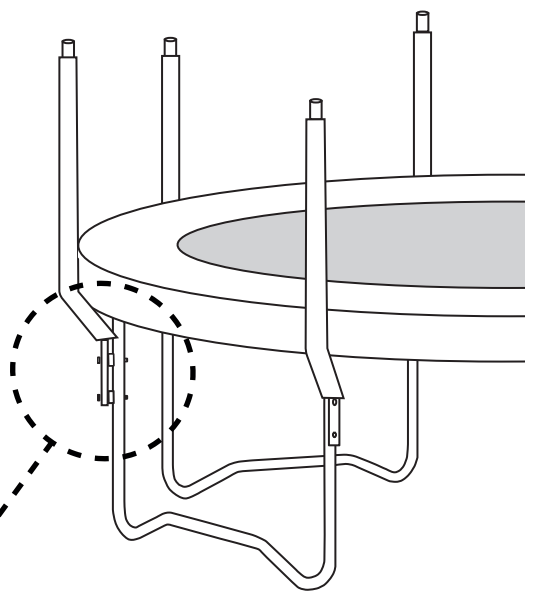
251 cm  
305, 366, 427 cm  
487 cm



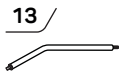
**10**



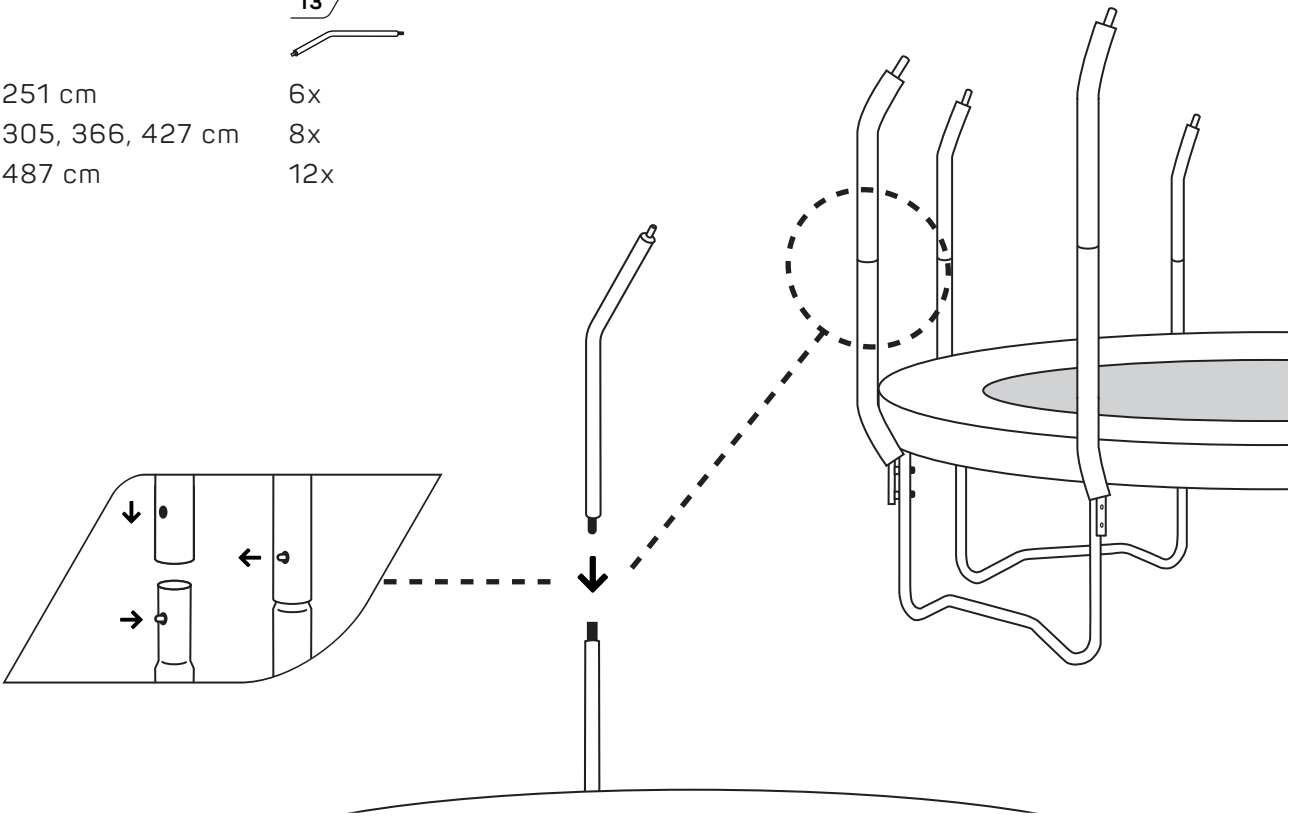
	12/	14/	16/	17/
251 cm	 6x	 12x	 1x	 1x
305, 396, 427 cm	8x	16x	1x	1x
487 cm	12x	24x	1x	1x



**11**



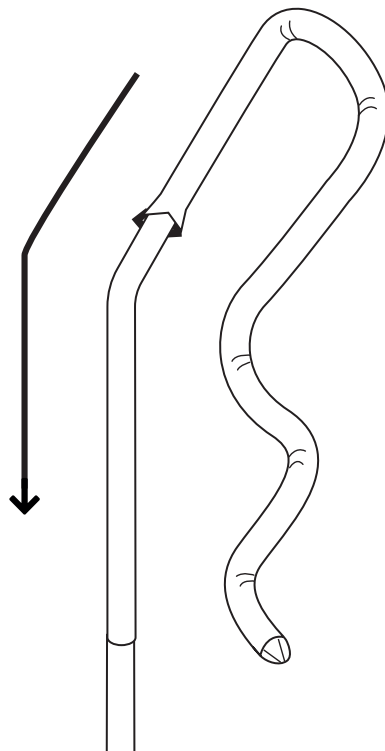
- 251 cm 6x
- 305, 366, 427 cm 8x
- 487 cm 12x



**12**



- 251 cm 6x
- 305, 366, 427 cm 8x
- 487 cm 12x

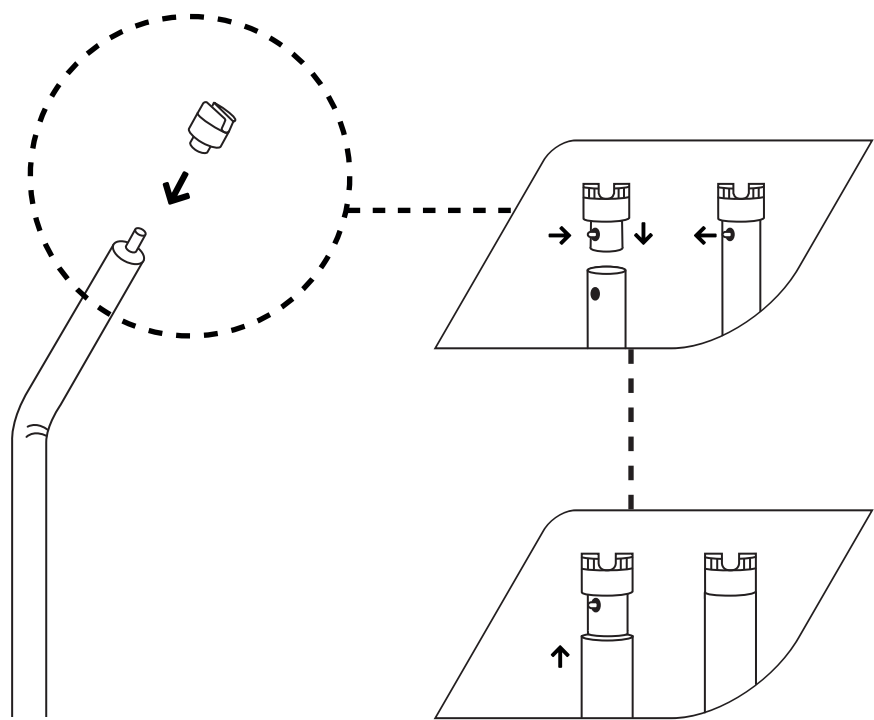




**13**

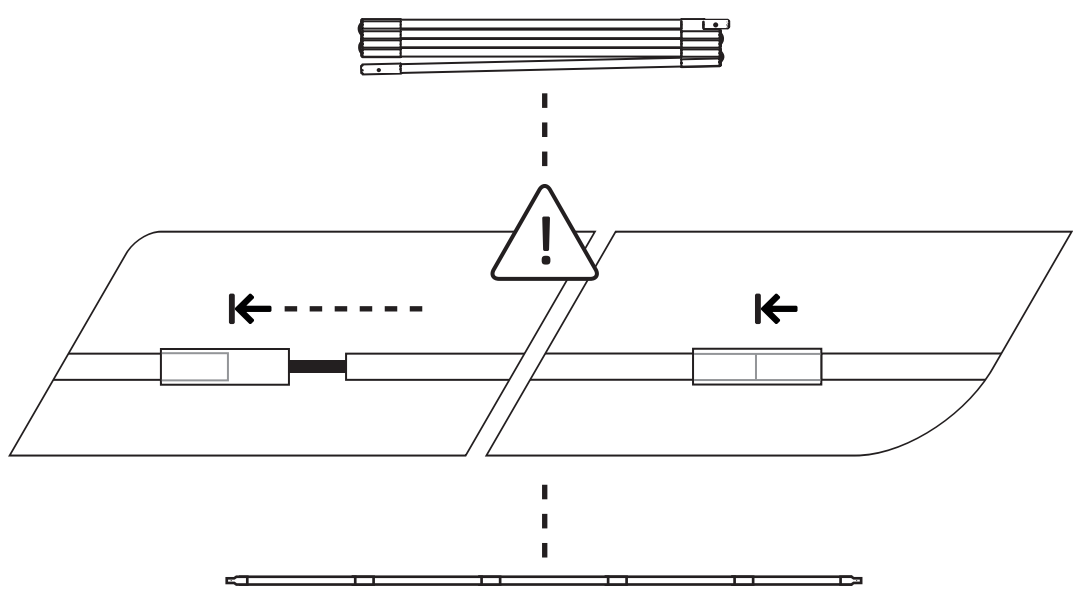
251 cm  
305, 366, 427 cm  
487 cm

19/  
6x  
8x  
12x



**14**

20/  
2x

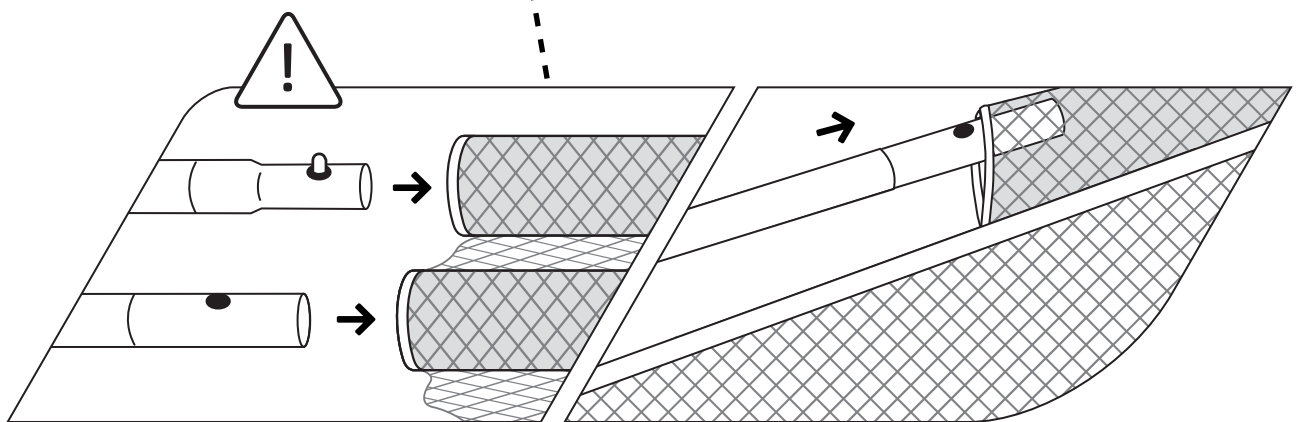
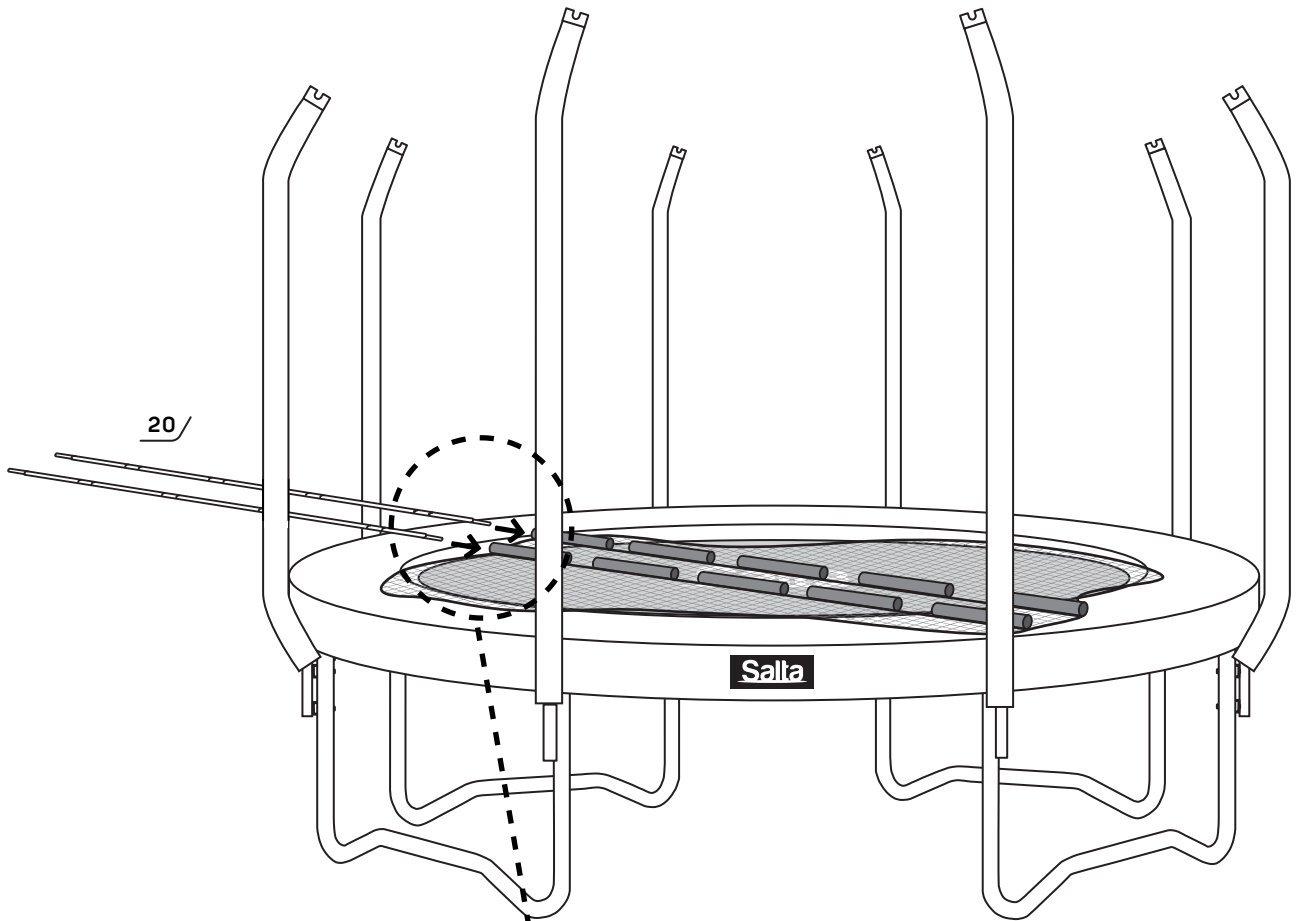


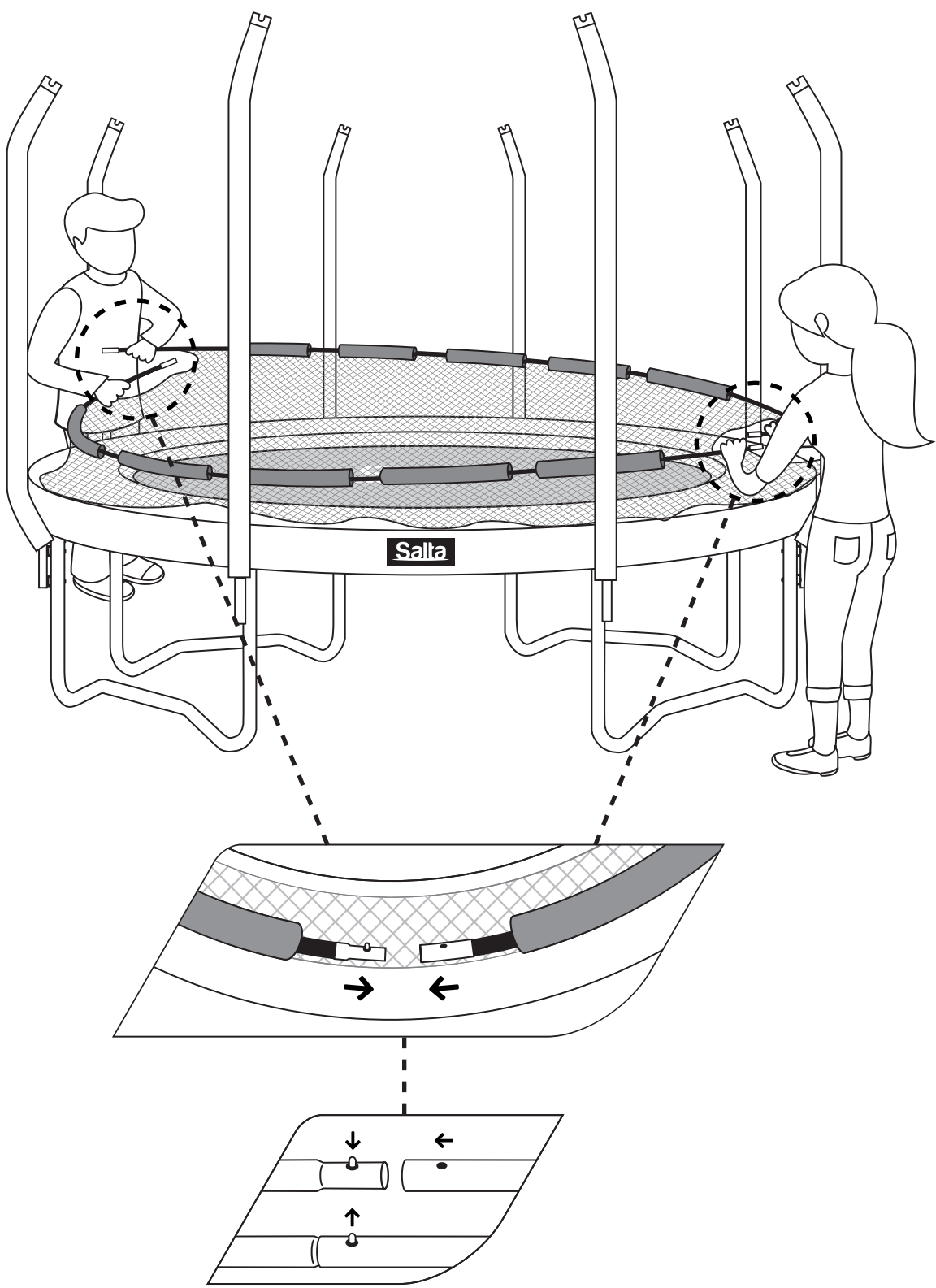
13

15 /



1x





15



19/



251 cm

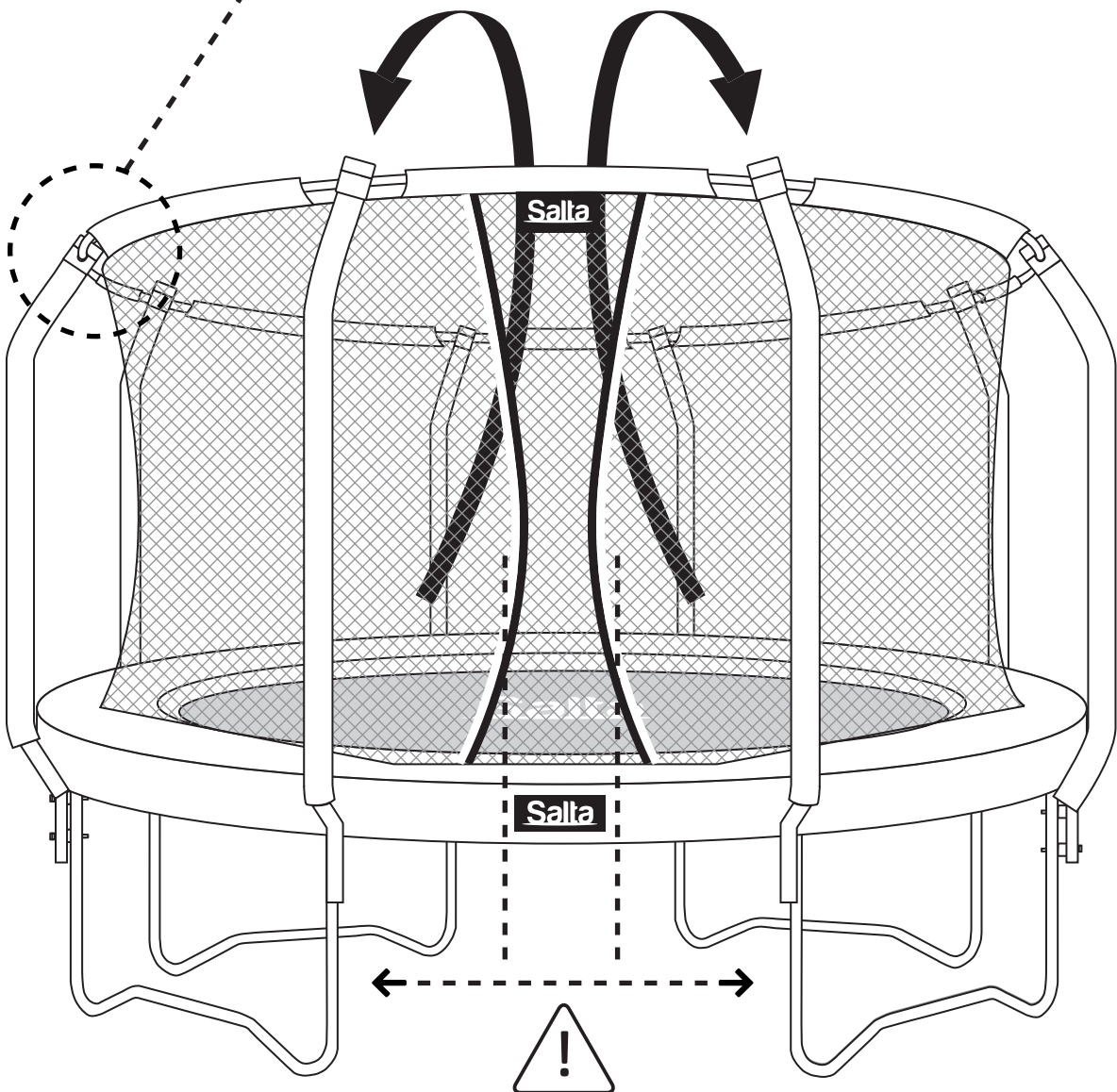
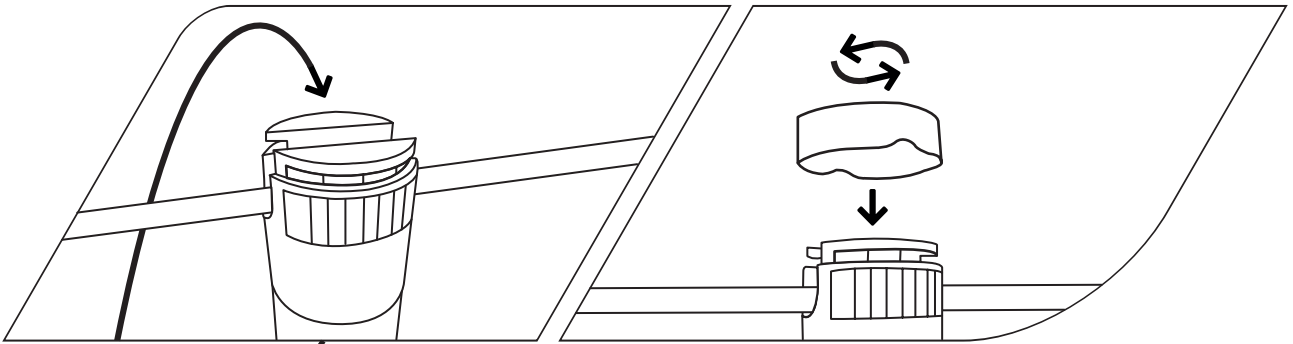
6x

305, 366, 427 cm

8x

487 cm

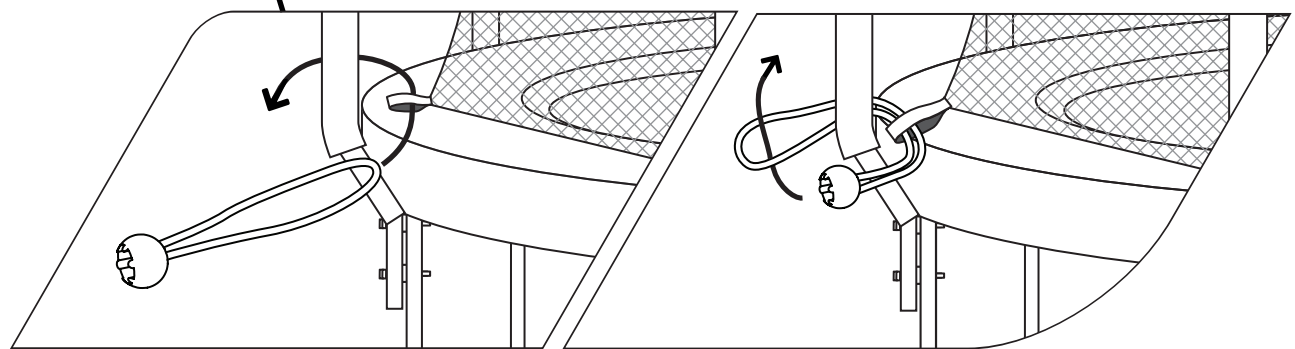
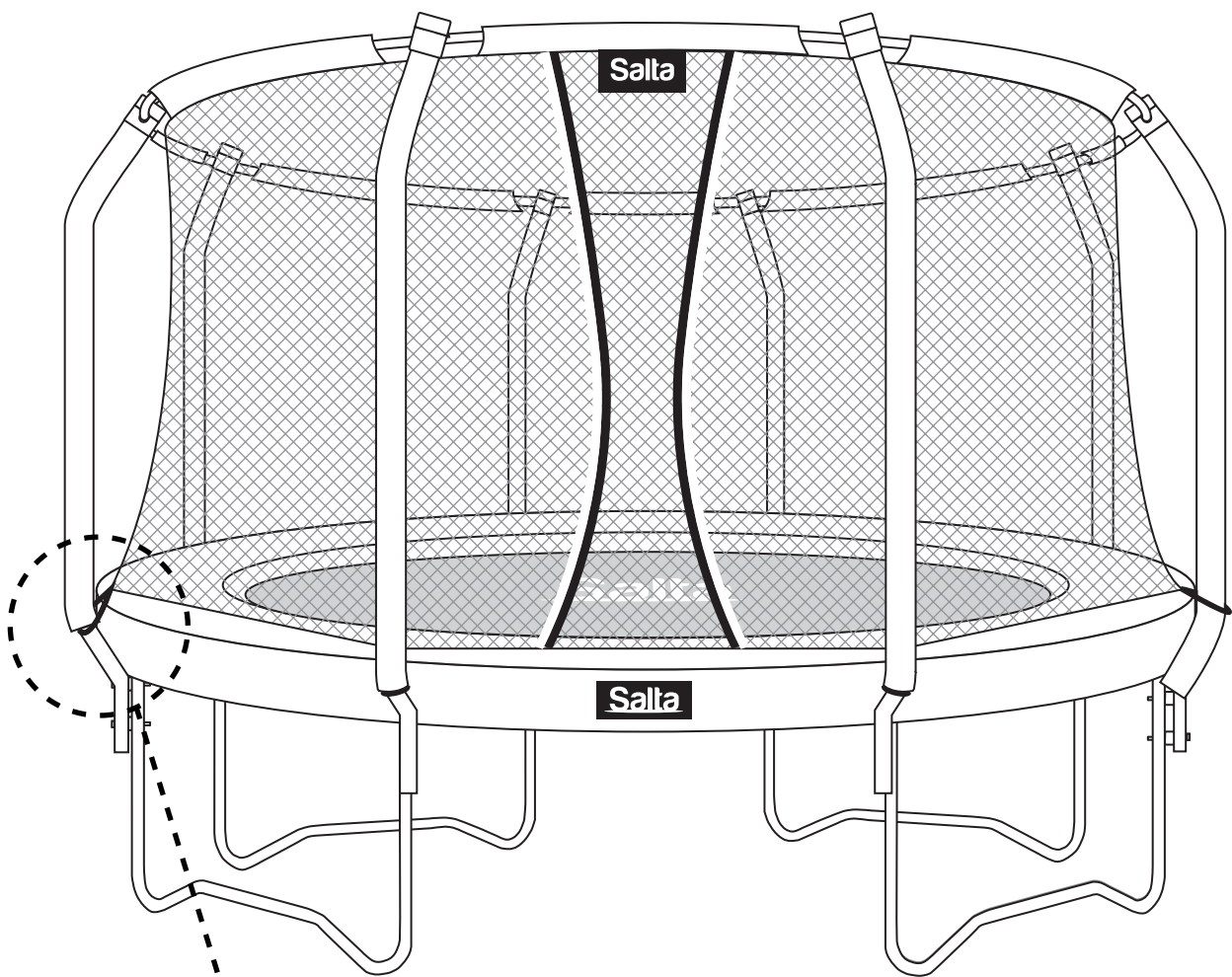
12x



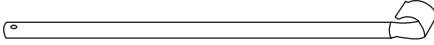
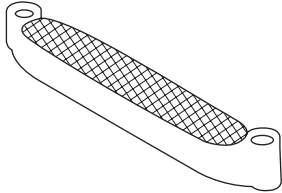
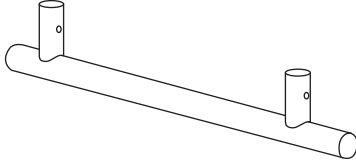
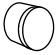
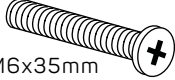

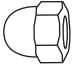
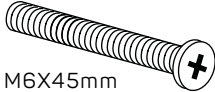
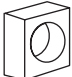
21/

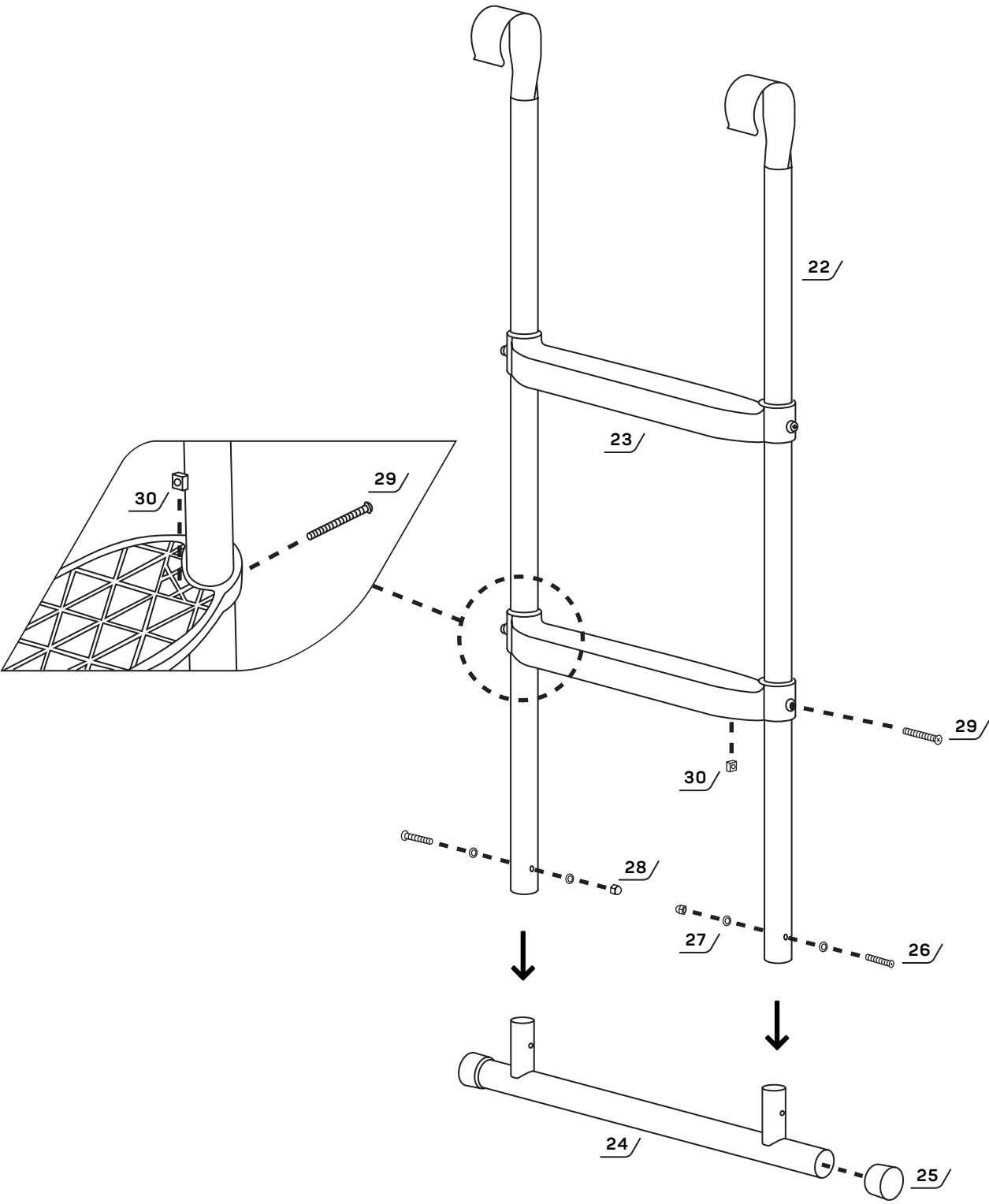


- 251 cm 6x
- 305, 366, 427 cm 8x
- 487 cm 12x



## PACK CONTENTS / PACKUNGSINHALT

Reference number Referenznummer	Part number Teilenummer	Item image Artikelbild	609 98 cm	5945 110 cm
<u>22</u> /	SFC710		2x	2x
<u>23</u> /	SFC720		2x	3x
<u>24</u> /	SFC730		1x	1x
<u>25</u> /	SFC740		2x	2x
<u>26</u> /	SFC750	 M6x35mm	2x	2x
<u>27</u> /	SFC760		4x	4x
<u>28</u> /	SFC770		2x	2x
<u>29</u> /	SFC780	 M6x45mm	4x	6x
<u>30</u> /	SFC790		4x	6x





**Ready to jump!**

**Fertig zum Springen!**



<b>GB</b>	<b>User manual</b>	<b>26</b>
<b>NL</b>	<b>Gebruikshandleiding</b>	<b>33</b>
<b>DE</b>	<b>Gebrauchsanweisung</b>	<b>40</b>
<b>FR</b>	<b>Manuel utilisateur</b>	<b>48</b>
<b>DK</b>	<b>Brugermanual</b>	<b>55</b>
<b>FI</b>	<b>Käyttöohje</b>	<b>62</b>
<b>NO</b>	<b>Brukerhåndbok</b>	<b>69</b>
<b>SE</b>	<b>Bruksanvisning</b>	<b>75</b>
<b>IT</b>	<b>Manuale dell' utente</b>	<b>82</b>
<b>PL</b>	<b>Podręcznik użytkownika</b>	<b>89</b>
<b>UA</b>	<b>Посібник користувача</b>	<b>96</b>
<b>RU</b>	<b>Руководство пользователя</b>	<b>104</b>

**Salta**

## 1. INTRODUCTION

Before you start to use of this trampoline, be sure to carefully read all the information provided to you in this manual. Just like any other type of physical recreational activity, participants can be injured. To reduce the risk of injury, be sure to follow appropriate safety rules and tips.

- Recommended to wear gloves when installing the products.
- Don't place the trampoline on concrete, asphalt or any other hard surface.
- Misuse and abuse of this trampoline is dangerous and can cause serious injury!
- Trampoline, being rebounding devices, propel the performer to unaccustomed heights and into a variety of body movements.
- Always inspect the trampoline before each use for wear-out mat, loose or missing parts.
- Strong winds and gusts can result in displacement of the trampoline. Salta recommends securing the trampoline by use of anchors or sandbags and removal of the safety net and jump mat.
- Proper assembly, care and maintenance of product, safety tips, warnings, and proper techniques in jumping and bouncing are all included in this manual. All users and supervisors must read and familiarize themselves with these instructions. Anybody who chooses to use this trampoline must be aware of their own limitations in regards to performing various jumps and bounces with this trampoline.

### WARNING

- WARNING! Read instructions before using this trampoline.
- WARNING! No somersaults.
- WARNING! Only one user. Collision hazard.
- WARNING!

FIRST CLASS	SIZE	MAX. WEIGHT
5371 / 5372 / 5941	251 cm / 305 cm / 487 cm	150 kg
5373 / 5374	366 cm / 427 cm	180 kg

- WARNING! Always close net opening before jumping.
- WARNING! Only for domestic use.
- WARNING! Outdoor use only.
- WARNING! Do not wear shoes on the trampoline, as this will cause excessive wear on the mat material.
- WARNING! Do not use the mat when it is wet.
- WARNING! The trampoline shall be assembled by an adult in accordance with the assembly instructions and thereafter checked before the first use.
- WARNING! Empty pockets and hands before jumping.
- WARNING! Always jump in the middle of the mat.
- WARNING! Do not eat while jumping.
- WARNING! Do not exit by a jump.
- WARNING! Do not use in strong wind conditions and secure the trampoline.
- WARNING! Limit the time of continuous usage (make regular stops).
- WARNING! Adult supervision required.
- WARNING! Not suitable for children under 36 months. Choking hazard. Small parts.
- The trampoline is not intended to be buried into the ground.
- The net should be replaced every 2 years.
- The trampoline shall not be modified.
- Retain the maintenance instruction manual.
- Self-locking nuts are only to be used for a one-time setup.
- Misuse and abuse of this trampoline can cause serious injuries.

- Inspect before using and replace any worn, defective or missing parts.
- Observe all safety requirements enclosed with this product.
- Not suitable for children under 36 months, due to lack of the ability.
- Keep away from fire.
- Do not hang from, kick, cut or climb on the safety net.
- Wear clothing free of drawstrings, hooks, loops or anything that could get caught in the barrier.
- Do not attach anything to the barrier that is not a manufacturer-approved accessory or part of the enclosure system.
- Enter and exit the enclosure only at the enclosure door or barrier opening designated for that purpose.
- Always consult a doctor/physician before performing any kind of physical activity.

## 2. INFORMATION ON USE OF THE TRAMPOLINE

Initially, you should get accustomed to the feel and bounce of the trampoline. The focus must be on the fundamentals of your body position and you should practice each bounce (the basic bounces) until you can do each skill with ease and control.

**To brake a bounce, all you need to do is flex your knees sharply before they come in contact with the mat of the trampoline.** This technique should be practiced while you are learning each of the basic bounces. The skill of braking should be used whenever you lose balance or control of your jump.

Always learn the simplest bounce first and be consistent with the control of your bounce before moving on to more difficult and advanced bounces. **A controlled bounce is one when your take off point and landing point is the same spot on the mat.** If you move up to the next bounce without first mastering the previous, you increase your chances of getting injured.

Do not bounce on the trampoline for extended periods of time because fatigue can increase your chances of becoming injured. Bounce for a brief period of time and then allow others to join in on the fun! Never have more than one person bouncing on the trampoline.

Jumpers should wear t-shirt, shorts or sweats, and regulation gymnastics shoes, heavy socks, or be bare foot. If you are just beginning, you may want to wear long sleeve shirts and pants to protect against scrapes and abrasions until you master correct landing positions and form. Do not wear hard sole shoes, such as tennis shoes, on the trampoline as this will cause excessive wear on the mat material.

You should always mount and dismount properly in order to avoid injury. To mount properly, you should PLACE your hand on the frame and either step or roll up onto the frame, over the springs, and onto the trampoline mat. You should always remember to place your hands onto the frame while mounting or dismounting. Do not step directly onto the frame pad or grasp the frame pad. To dismount properly, move over to the side of the trampoline and place your hand onto the frame as a support and step from the mat to the ground. Smaller children should be assisted when mounting and dismounting the trampoline.

Do not bounce recklessly on the trampoline since this will increase your chances of getting injured. The key to safety and having fun on the trampoline is control and mastering the various bounces. Never try to out-bounce another bouncer in terms of height! Never use the trampoline alone without supervision.

### 3. ACCIDENT CLASSIFICATION

**Mounting and Dismounting:** Be very careful when getting on and off the trampoline. DO NOT mount the trampoline by grabbing the frame pad, stepping onto the springs, or by jumping onto the mat of the trampoline from any object (i.e. a deck, roof, or ladder). This will increase your chances of getting injured! DO NOT dismount by jumping off the trampoline and landing on the ground regardless of the makeup of the ground. If small children are playing on the trampoline, they may need help in mounting and dismounting.

**Use of Alcohol or Drugs:** DO NOT consume any alcohol or drugs when using this trampoline! This will increase your chances of getting injured since these foreign substances impairs your judgements, reaction time, and overall physical coordination.

**Striking the Frame of Springs:** When playing on the trampoline, STAY in the center of the mat. This will reduce your risk of getting injured by landing on the frame or springs. Always keep the frame pad covering the frame of the trampoline. DO NOT jump or step onto the frame pad directly since it was not intended to support the weight of a person.

**Loss of Control:** DO NOT try difficult manoeuvres, or any manoeuvres until you have mastered the previous manoeuvre, or if you are just learning how to jump on a trampoline. If you do, you will increase your risk of getting injured by landing on the frame, springs, or off the trampoline completely because you might lose control of your jump. A controlled jump is considered landing on the same spot that you took off from. If you do lose control when you are jumping on the trampoline, bend your knees sharply when you land and this will allow you to regain control and stop your jump.

**Somersaults (Flips):** DO NOT PERFORM somersaults of any type (backwards or forwards) on this trampoline. If you make a mistake when trying to perform a somersault, you could land on your head or neck. This will increase your chances of getting your neck or back broken, which will result in death or paralysis.

**Foreign Objects:** DO NOT use the trampoline if there are pets/animals, other people, or any objects underneath or into the trampoline. This will increase the chances of an injury occurring. DO NOT hold any foreign objects in your hand and DO NOT place any objects on the trampoline while anyone is playing on it. Please be aware of what is overhead when you are playing on the trampoline. Tree limbs, wires, or other objects located over the trampoline will increase your chances of getting injured.

**Poor trampoline maintenance:** A trampoline in poor condition will increase your risk of injury. The trampoline should be checked before each use for bent steel tubes, torn mats, loose or broken springs and the overall stability of the trampoline.

**Weather Conditions:** Please be aware of the weather conditions when using the trampoline. Do not use if the mat of the trampoline is wet, the jumper could slip and injure him or herself. If it is too windy, jumpers could lose control.

**Limiting Access:** When the trampoline is not in use, always store the access ladder in a secure place so that unsupervised children cannot play on the trampoline.

#### TIPS TO REDUCE THE RISK ACCIDENTS

##### Jumper's role in accident prevention

The key here is to stay in control of your jumps. DO NOT move onto more complicated, more difficult manoeuvres until you have mastered the basic, fundamental bounce.

Education is also key to safety and very important. Read, understand, and practice all safety precautions and warnings prior to using the trampoline. A controlled jump is when you land and take off from the same location. For additional safety tips and instructions, contact a certified trampoline instructor.

### Supervisor's Role in Accident Prevention

Supervisors need to understand and enforce all safety rules and guidelines. It is the responsibility of the supervisor to provide knowledgeable advice and guidance to all jumpers of the trampoline. If supervision is unavailable or inadequate, the trampoline could be stored in a secure place, disassembled to prevent unauthorized use, or covered with a heavy tarpaulin that can be locked or secured with lock or chains. The supervisor is also responsible to ensure that the safety placard is placed on the trampoline and that jumpers are informed of these warnings and instructions.

## 4. TRAMPOLINE SAFETY INSTRUCTIONS

### Jumpers

- Do not use trampoline if you have consumed alcohol or any drugs.
- Remove all hard sharp objects from person before using trampoline.
- You should climb on and off in a controlled and careful manner. Never jump on or off the trampoline and never use the trampoline as a device to bounce onto or into another object.
- Always learn the basic bounce and master each type of bounce before trying more difficult types of bounces. Review the Basic Skills Section to learn how to do the basics.
- To stop your bounce, flex your knees when you land on the mat with your feet.
- Always be in control when you are bouncing on the trampoline. A controlled jump is when you land at the same spot that you took off from. If at any time you feel out of control, try to stop your bouncing.
- Do not jump or bounce for prolonged periods of time or too high for a number of jumps.
- Keep your eyes on the mat to maintain control. If you do not, you could lose balance or control.
- Never have more than 1 person on the trampoline at any time.
- Always have a supervisor watching you when you are on the trampoline.

### Supervisors

Educate yourself with the basic jumps and safety rules. To prevent and reduce the risk of injuries, enforce all safety rules and ensure that new jumpers learn the basic bounces before trying more difficult and advanced jumps.

- All jumpers need to be supervised, regardless of skill level or age.
- Never use the trampoline when it is wet, damaged, dirty, or worn out. The trampoline should be inspected before any jumpers start bouncing on it.
- Keep all objects that could interfere with the jumper away from the trampoline.
- Be aware of what is overhead, underneath, and around the trampoline.
- To prevent unsupervised and unauthorized use, the trampoline should be secured when not in use.

## 5. TRAMPOLINE PLACEMENT

The minimum overhead clearance required is 7.3 meters (24 feet) and a clearance of 2 meters around the perimeter of the trampoline. In terms of horizontal clearance, please ensure that no hazardous objects are near the trampoline such as tree limbs, other recreational objects (i.e. swing sets, swimming pools), electrical power wiring, walls, fences, etc.

For safe use of the trampoline, please be aware of the following when selecting a place for your trampoline:

- Make sure it is placed on a level surface.
- The area is well-lighted.
- There are no obstructions beneath the trampoline.

If you do not follow these guidelines, you increase the risk of someone getting injured.

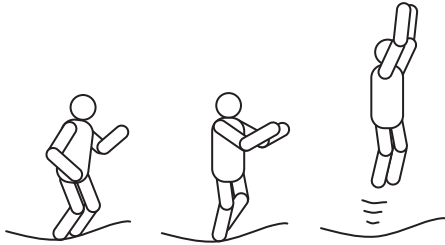
## **6. WARRANTY**

For warranty information please check our website; [www.salta.com](http://www.salta.com). Warranty can be claimed by presenting the original invoice. The warranty applies only to the material and constructions defects with respect to the product or its components. The warranty lapses if:

- The product is used incorrect or negligent or in a inappropriate way.
- The product is not installed according to the instructions / maintenance.
- The product is buried into the ground.
- Defects caused by external influences (e.g. climate influences such as normal weathering by UV rays or normal wear and tear).
- Changes or modifications to the trampoline are not permitted.
- The product is used for public or the recreational market.
- Defective parts have been replaced by not original Salta spare parts.

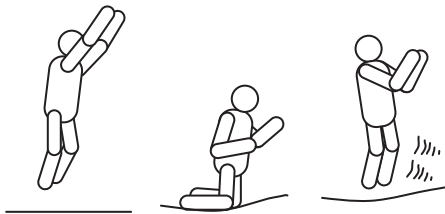
## 7. BASIC TRAMPOLINE BOUNCES

### THE BASIC BOUNCE



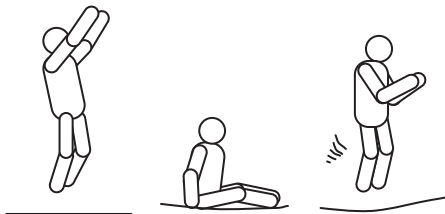
1. Start from standing position, feet shoulder width apart and with head up and eyes on mat.
2. Swing arms forward and up and around in a circular motion.
3. Bring feet together while in mid-air and point toes downward.
4. Keep feet shoulder width apart when landing on mat.

### KNEE BOUNCE



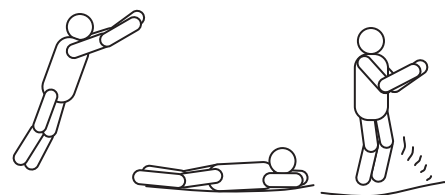
1. Start with basic bounce and keep it low.
2. Land on knees keeping back straight, body erect and use your arms to maintain balance.
3. Bounce back to basic bounce position by swinging arms up.

### SEAT BOUNCE



1. Land in a flat sitting position.
2. Place hands on mat besides hips
3. Return to erect position by pushing with hands.

### FRONT BOUNCE



1. Start with front bounce position.
2. Land in prone ( face down) position and keep hand and arms extended forward on mat.
3. Push off the mat with arms to return to standing position.

### 180 DEGREE BOUNCE



1. Start with front bounce position.
2. Push off with left or right hands and arms (depending on which way you wish to turn).
3. Maintain head and shoulders in the same direction and keep back parallel to mat and head up.
4. Land in prone position by return to standing position by pushing up with hands and arms.

## 8. CARE AND MAINTENANCE

This trampoline was designed and manufactured with quality materials and craftsmanship. If proper care and maintenance is provided, it will provide all jumpers with years of exercise, fun, and enjoyment as well as reduce the risk of injury. Check and maintenance of the main parts (frame, suspension system, mat and padding) at the beginning of each season and also regular intervals. If these checks are not carried out, the trampoline could become dangerous. Please follow the guidelines listed below:

This trampoline is designed to withhold a certain amount of weight and use. Please make sure that only one person at any one time uses the trampoline. Jumpers should either wear socks or be barefoot when using the trampoline. Please be aware that street shoes or tennis shoes should NOT be worn while using the trampoline. In order to prevent the trampoline mat from getting cut or damaged please do not allow any pets onto the mat. Also, jumpers should remove all sharp objects from their person prior to using the trampoline. Any type of sharp or pointed objects should be kept off the trampoline mat at all times.

Retain the maintenance instruction manual. Always inspect the trampoline before each use for worn, abused or missing parts. A number of conditions could arise that may increase your chances of getting injured. Please be aware of:

- Check all nuts and bolts for tightness and tighten when required.
- Check all spring-loaded (pit pin) joints are still intact and cannot become dislodged during play.
- Check all coverings and sharp edges and replace when required.
- In certain countries during winter period, the snow load and the very low temperature can damage the trampoline. It is recommended to remove the snow and store the mat and the enclosure indoor.
- Check that mat and padding are without defects; NOTE Sunlight, rain, snow and extreme temperatures reduce the strength of these parts over time.
- Replace the net after 2 years of use or when the net no longer works properly.
- Punctures, holes, or tears in the trampoline mat.
- Sagging trampoline mat.
- Loose stitching or any kind of deterioration of the mat.
- Bent or broken frame parts, such as the legs.
- Broken, missing, or damaged springs.
- Damaged, missing, or insecurely attached frame pad.
- Parts on the frame, springs or spring mat, that stick out.
- Make sure that the hook-and-loop fasteners are closed correctly during use of trampoline.

**! If you find any of the previous conditions, or anything else that you feel could cause harm to any user, the trampoline should be disassembled or secured from use until the condition(s) has been resolved.**

### Windy conditions

In severe wind situations, the trampoline can be blown away. To increase security we recommend to use the official Salta Anchor set. If you expect windy weather conditions, the trampoline should be moved to a sheltered area or disassembled.

### Moving the trampoline

If you need to move the trampoline, two people should be used. When moving, lift the trampoline slightly off the ground and keep it horizontal to the ground. For any type of other move, you should disassemble the trampoline.



## 1. INTRODUCTIE

Lees voor gebruik van de trampoline deze handleiding met informatie zorgvuldig door.

Net als bij elke andere vorm van fysieke activiteiten bestaat er een risico op letsel. Volg alle veiligheidsvoorschriften en tips om het risico op letsel te verkleinen.

- Het dragen van handschoenen is aanbevolen bij de installatie van de producten.
- Gelieve de trampoline niet op beton, asfalt of een andere harde ondergrond te plaatsen.
- Onjuist gebruik van de trampoline is zeer gevaarlijk en kan ernstig letsel veroorzaken!
- Als gevolg van de vering van de trampoline kan de springer in een verscheidenheid van lichaamshouding en ongewone hoogtes bereiken.
- Inspecteer de trampoline altijd voor gebruik op slijtage van de springmat, losse onderdelen of ontbrekende onderdelen.
- Sterke wind en windvlagen kunnen de trampoline verplaatsen. Wij raden u aan de trampoline te verankeren met ankers of zandzakken en verwijder het veiligheidsnet en het springdoek.
- Juiste montage, onderhoud, veiligheidstips en waarschuwingen worden uitgelegd in deze handleiding. Alle gebruikers en toezichthoudende personen dienen zich deze instructies eigen te maken. Iedereen die gebruik gaat maken van deze trampoline moet zich bewust zijn van zijn eigen grenzen op het gebied van het uitvoeren van verschillende sprongen op deze trampoline.

### WAARSCHUWING

- WAARSCHUWING! Lees de instructies voordat u deze trampoline gebruikt.
- WAARSCHUWING! Geen salto's maken.
- WAARSCHUWING! Slechts één gebruiker. Gevaar voor botsen.
- WAARSCHUWING!

FIRST CLASS	GROOTTE	MAX. GEWICHT
5371 / 5372 / 5941	251 cm / 305 cm / 487 cm	150 kg
5373 / 5374	366 cm / 427 cm	180 kg

- WAARSCHUWING! Sluit het net alvorens te gaan springen.
- WAARSCHUWING! Alleen voor thuisgebruik.
- WAARSCHUWING! Alleen voor buitengebruik.
- WAARSCHUWING! De trampoline dient door een volwassene geïnstalleerd te worden in overeenstemming met de meegeleverde instructies en dient daarna gecontroleerd te worden voor het eerste gebruik.
- WAARSCHUWING! Draag geen schoenen op de trampoline. Dit veroorzaakt overmatige slijtage aan het materiaal van de springmat.
- WAARSCHUWING! De springmat niet gebruiken indien deze nat is.
- WAARSCHUWING! Leeg broekzakken en handen voor het springen.
- WAARSCHUWING! Spring altijd in het midden van de mat.
- WAARSCHUWING! Gelieve niet eten tijdens het springen.
- WAARSCHUWING! De trampoline niet verlaten met een sprong.
- WAARSCHUWING! De trampoline niet gebruiken in hevige windcondities en de trampoline vastzetten.
- WAARSCHUWING! Beperk de tijd bij doorlopend gebruik. Las pauzes in.
- WAARSCHUWING! Toezicht door een volwassene vereist.
- WAARSCHUWING! Niet geschikt voor kinderen jonger dan 36 maanden. Verstikkingsgevaar. Kleine onderdelen.
- Deze trampoline is niet bedoeld om te worden ingegraven in de grond.
- Het net moet elke twee jaar worden vervangen.
- Wijzigingen of veranderingen aan de trampoline zijn niet toegestaan.
- Bewaar deze handleiding voor later.
- De zelf-borgende moeren zijn uitsluitend bedoeld voor eenmalig gebruik.

- Verkeerd gebruik en misbruik van deze trampoline kunnen ernstig letsel veroorzaken.
- Controleren voor gebruik. Vervang versleten, defecte en ontbrekende onderdelen.
- Neem alle veiligheidseisen in acht, die bijgesloten zijn bij dit product.
- Niet geschikt voor kinderen jonger dan 36 maanden, vanwege onvermogen.
- Weghouden van vuur
- Ga niet aan het veiligheidsnet hangen, op het net staan, leunen of erop klimmen.
- Draag kleding zonder koordjes, haken, lussen of andere dingen die vast kunnen komen te zitten in het net.
- Maak niks vast aan het frame dat niet door de fabrikant goedgekeurde accessoire is of geen onderdeel uitmaakt van het veiligheidsnet.
- De trampoline alleen verlaten en betreden via de daarvoor bedoelde in-/uitgang.
- Raadpleeg altijd een dokter/arts voordat u fysieke inspanningen gaat leveren.

## 2. INFORMATIE OVER HET GEBRUIK VAN DE TRAMPOLINE

In het begin moet je wennen aan het gevoel en de vering van de trampoline. Houd het hoofd recht op en richt de ogen op de rand van de trampoline. De focus moet liggen op de basis van je lichaamshouding en je moet elke (basis-)sprong met gemak en controle uit kunnen voeren.

**Het enige wat je hoeft te doen om een sprong af te remmen is je knieën scherp buigen voordat ze in contact komen met de mat van de trampoline.** Deze techniek moet je oefenen op het moment dat je de basis-sprongen aan het leren bent. De vaardigheid van het afremmen van de sprongen moeten worden gebruikt op het moment dat je je evenwicht of de controle over de sprong dreigt te verliezen.

Begin altijd met het oefenen van de meest eenvoudige sprongen en zorg ervoor dat deze goed onder controle zijn voordat er verder wordt gegaan met een moeilijker en meer geavanceerde sprong. **Bij een gecontroleerde sprong is het landingspunt op de mat hetzelfde als het punt waar de sprong begon.** Op het moment dat moeilijkere sprongen gemaakt gaan worden voordat de basis-sprongen onder controle zijn verhoogt dit de kans op verwondingen.

Spring niet langere tijd achter elkaar door op de trampoline omdat vermoeidheid de kans op verwondingen vergroot. Spring een korte periode en laat daarna anderen springen. Zo heeft iedereen plezier! Nooit meer dan 1 persoon tegelijkertijd op de trampoline!

Bij het springen op de trampoline kun je het beste een T-shirt, korte broek of een joggingbroek dragen. Springen kan op gymschoenen, sokken of blote voeten. Schoenen met een harde zool, zoals tennisschoenen, niet dragen op de trampoline. Dit zal overmatige slijtage veroorzaken aan de springmat. Als je een beginnend springer bent kun je het beste een shirt met lange mouwen en een lange broek aan trekken om jezelf zo te beschermen tegen schaafwonden.

Om veilig op de trampoline te klimmen moet de hand op het frame gelegd worden. Hierna kun je over het frame op de springmat stappen en je erop laten rollen. Stap nooit direct op het frame en grijp je ook niet vast aan het randkussen. Bij het verlaten van de trampoline kun je je hand ter ondersteuning op het frame leggen om ze gemakkelijk van de springmat op de grond te stappen.. Kleinere kinderen moeten geholpen worden met het opstappen en afstappen van de trampoline.

Spring niet roekeloos op de trampoline omdat dit de kans op verwondingen vergroot. De sleutel tot veiligheid en plezier op de trampoline is de controle en beheersing van verschillende sprongen. Probeer nooit om een andere springer te overklassen door hoger te willen springen! Gebruik de trampoline alleen onder toezicht van een volwassene.

### 3. ONGEVAL CLASSIFICATIE

**Op- en afstappen:** Wees zeer voorzichtig bij het op- en afstappen van de trampoline. Bij het opstappen van de trampoline nooit de pad vastgrijpen, op de veren stappen of vanaf een ander object (bijvoorbeeld dak of ladder) op de trampoline springen. Dit verhoogt de kans op verwondingen. Bij het verlaten van de trampoline niet vanaf de trampolinemat op de grond springen. Dit ongeacht de samenstelling van de grond. Kleine kinderen kunnen hulp nodig hebben bij het op- en afstappen van de trampoline.

**Het gebruik van alcohol en drugs:** Gebruik geen alcohol of drugs bij gebruik van de trampoline. Dit zal uw kans op verwondingen vergroten omdat deze lichaamsvreemde stoffen uw inschattingsvermogen, reactietijd en algehele coördinatie beïnvloeden.

**In aanraking komen met de veren:** Blijf tijdens het springen in het midden van de springmat. Dit zal het risico op verwondingen verminderen omdat er zo minder kans is om te landen op de veren. Zorg er altijd voor dat het randkussen bevestigd is op de trampoline. Spring of stap niet direct op het randkussen omdat deze niet bestemd is om het gewicht van een persoon te ondersteunen.

**Controleverlies:** Probeer niet te moeilijke sprongen als je de basisbeginselen nog niet onder de knie hebt. Bij het uitvoeren van te moeilijke sprongen wordt de kans op verwondingen groter door het verliezen van de controle over de sprong of door het landen op het frame. Onder een gecontroleerde sprong wordt verstaan dat je landing op de zelfde plek plaatsvindt als waar je vertrok. Als je tijdens het springen de controle dreigt te verliezen, buig je knieën dan sterk voor het aanraken van de mat. Hiermee zal de controle herwonnen worden en kan er gestopt worden met de sprong.

**Salto's:** Voer geen enkele salto uit op deze trampoline. Als er een fout wordt gemaakt bij de uitvoering van de salto bestaat er de mogelijkheid dat u landt op uw hoofd of nek. Dit zal de kansen verhogen van een gebroken nek en rug wat kan resulteren in verlamming of overlijden.

**Vreemde voorwerpen:** Gebruik de trampoline niet als er (huis)dieren, andere mensen of voorwerpen onder of op de trampoline aanwezig zijn. Dit zal de kans op verwondingen vergroten. Houd geen voorwerpen in de hand tijdens het springen en plaats geen voorwerpen op de trampoline terwijl er iemand aan het spelen is op de trampoline. Takken, draden of andere voorwerpen die zich op de trampoline bevinden zal de kans op verwondingen vergroten.

**Slecht onderhoud van de trampoline:** Een trampoline in slechte staat zal uw kans op verwondingen vergroten. De trampoline dient voor ieder gebruik nagekeken worden op gebogen stalen buizen, gescheurde mat, losse of gebroken veren en de algehele stabiliteit van de trampoline.

**Weersomstandigheden:** Wees u bewust van de weersomstandigheden bij het gebruik van een trampoline. Maak geen gebruik van de trampoline als de mat van de trampoline nat is. Hierdoor kan de springer uitglijden en zichzelf verwonden. Als er een harde wind staat kan de springer zijn controle verliezen.

**Beperking van de toegang:** Wanneer de trampoline niet wordt gebruikt, altijd de ladder op een veilige plaats bewaren, zodat kinderen niet op de trampoline kunnen spelen zonder toezicht.

## TIPS OM HET RISICO VAN ONGEVALLLEN TE VERKLEINEN

### De rol van de springer om ongevallen te voorkomen.

De sleutel hier is dat er altijd controle moet blijven over de uitgevoerde sprongen. Voer geen moeilijker sprongen uit als de basistechnieken nog niet onder controle zijn. Onderwijs is ook de sleutel tot veiligheid en is zeer belangrijk. Lees, begrijp en oefen alle veiligheidsinstructies en waarschuwingen. Onder een gecontroleerde sprong wordt verstaan dat je landing op de zelfde plek plaatsvindt als waar je vertrok. Voor meer tips en instructies kunt u contact opnemen met een gecertificeerde trampoline instructeur.

### De rol van de toezichthouder om ongevallen te voorkomen.

Toezichthouders moeten alle regels en veiligheidsvoorschriften begrijpen en handhaven. Het is de verantwoordelijkheid van de toezichthouder om deskundig advies en begeleiding te bieden aan alle springers. Als er geen begeleiding beschikbaar is kan de trampoline gdemonteerd worden opgeslagen op een veilige plek om onbevoegd gebruik te voorkomen. De trampoline kan ook afgedekt worden met een zwaar dekzeil die kan worden vergrendeld of beveiligd met een slot of kettingen. De begeleider is ook verantwoordelijk voor het plaatsen van de veiligheidsinstructies op de trampoline zodat de springers geïnformeerd zijn over de waarschuwingen en instructies.

## 4. TRAMPOLINE VEILIGHEIDSINSTRUCTIES

### Springers

- Maak geen gebruik van de trampoline als u alcohol of drugs gebruikt hebt.
- Verwijder alle harde en scherpe voorwerpen die u bij zich draagt voordat u de trampoline gebruikt.
- Het in en uit klimmen moet op een gecontroleerde en zorgvuldige manier gebeuren. Spring nooit in of uit de trampoline en gebruik de trampoline niet als een springplank om op een ander object te springen.
- Leer altijd eerst de basisprongen te beheersen voordat je moeilijkere sprongen gaat uitvoeren. Kijk in de sectie basis vaardigheden om te leren hoe je deze uit moet voeren.
- Om je sprong af te remmen, je knieën scherp buigen voordat de mat wordt geraakt.
- Zorg altijd dat je jezelf onder controle hebt als je op de trampoline springt. Onder een gecontroleerde sprong wordt verstaan dat je landing op de zelfde plek plaats vindt als waar je vertrok. Als je op enig moment het gevoel hebt de controle te verliezen, probeer dan de sprong te stoppen.
- Spring niet een al te lange tijd achtereen en spring ook niet te hoog.
- Houd je ogen op de mat om de controle te behouden. Als je dat niet doet, kun je je evenwicht of de controle verliezen.
- Nooit meer dan 1 persoon tegelijk op de trampoline.
- Gebruik de trampoline alleen onder toezicht van een volwassene.

### Toezichthouders

Leer zelf de basisprongen en veiligheidsregels. Om de kans op verwondingen te verkleinen moeten alle veiligheidsregels nageleefd worden en men moet er zeker van zijn dat de springers de basisprongen goed onder de knie hebben voordat er moeilijker en meer geavanceerde sprongen gedaan worden.

- Alle springers moeten worden begeleid ongeacht vaardigheidsniveau of leeftijd.
- Gebruik de trampoline niet als deze nat, vuil, beschadigd of versleten is. De trampoline moet worden geïnspecteerd voordat de springers deze in gebruik nemen.
- Houd alle voorwerpen die de springer kunnen storen uit de buurt van de trampoline.
- Wees jezelf bewust van hetgeen dat zich boven, onder of rond de trampoline bevindt.
- Wanneer de trampoline niet in gebruik is moet deze beveiligd worden om onbevoegd gebruik of gebruik zonder toezicht te voorkomen.

## 5. PLAATSING VAN DE TRAMPOLINE

Boven de trampoline moet minstens 7,3 meter aan ruimte zijn en de trampoline moet op minimaal 2 meter afstand van obstakels worden geplaatst. Zorg ervoor dat er rond de trampoline geen gevaarlijke voorwerpen zoals takken, andere recreatieve objecten (bv zwembaden, schommels etc.), stroomkabels, muren en hekken zijn.

Voor veilig gebruik van de trampoline moet u bij keuze voor plaatsing van de trampoline rekening houden met het volgende:

- Zorg ervoor dat de grond vlak is (geen asfalt, beton of andere harde oppervlakken).
- Het gebied is goed verlicht.
- Er bevinden zich geen obstakels rondom de trampoline.

Als u zich niet houdt aan deze richtlijnen verhoogt u de kans dat iemand verwondingen oploopt.

## 6. GARANTIE

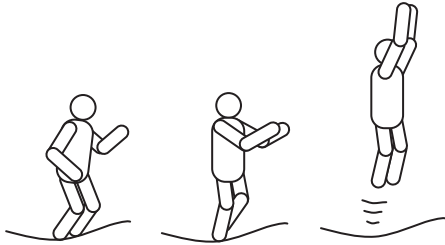
Voor informatie over garantie bezoek onze website; [www.salta.com](http://www.salta.com).

Garantie kan worden verleent door middel van het originele aankoopbewijs. De garantie geldt alleen op het materiaal en in constructie defecten rekening houdend met het product en zijn componenten. De garantie vervalt indien:

- Het product niet goed gebruikt is, nalatig of op een ongepast wijze.
- Het product is niet geïnstalleerd op basis van de instructies/ onderhoud.
- Het product is verwerkt in de grond.
- Defecten veroorzaakt door externe invloeden. (bijv. klimaatinvloeden zoals verwerking door Uv-stralen of normale slijtage).
- Aanpassingen of veranderingen aan de trampoline is niet toegestaan.
- Het product wordt gebruikt voor publiek of recreatie.
- Kapotte onderdelen zijn vervangen door niet originele Salta onderdelen.

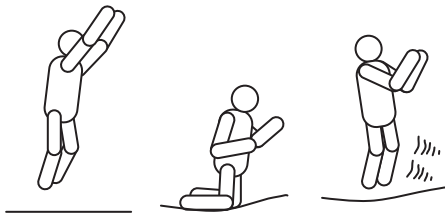
## 7. BASIS SPRONGEN OP DE TRAMPOLINE

### DE BASIS SPRONG



1. Ga recht op staan, voeten op schouderbreedte uit elkaar en de hielen omhoog. De ogen gericht op de mat.
2. Zwaai de armen naar voren en omhoog in een ronddraaiende beweging.
3. Breng de voeten bij elkaar als je omhoog springt en wijs met de tenen naar beneden.
4. Houd de voeten weer op schouderbreedte uit elkaar bij landing op de mat.

### KNIE SPRONG



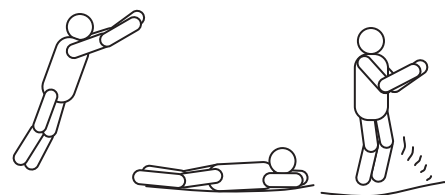
1. Begin met de basisprong maar blijf laag.
2. Land op de knieën met een rechte rug en gebruik je armen om het evenwicht te behouden.
3. Stuiter terug naar positie van de basisprong door de armen omhoog te zwaaien.

### ZIT SPRONG



1. Land in een vlakke zithouding.
2. Plaats de handen op de mat naast de heupen.
3. Ga terug naar een rechtopstaande positie door je af te zetten met je handen.

### VOORWAARTSE SPRONG



1. Begin met een basisprong positie.
2. Land op de buik en houd de handen en armen gestrekt naar voren.
3. Zet je af met je armen op de mat om terug te gaan naar staande positie.

### 180 GRADEN SPRONG



1. Begin in de voorwaartse sprong positie.
2. Zet je af met je linker of rechterhand en arm. Dit is afhankelijk van welke kant je op wilt draaien.
3. Zorg ervoor dat je je hoofd en schouders in dezelfde richting houdt en parallel aan de mat. Blijf dit ook vast houden.
4. Land op je buik en keer terug naar een staande positie door je omhoog te duwen met je handen en armen.

## 8. ONDERHOUD EN VERZORGING

Deze trampoline is ontworpen en vervaardigd met hoogwaardige materialen en vakmanschap. Met de juiste zorg en onderhoud zijn de springers jarenlang verzekerd van lichaamsbeweging en plezier. Controleer en onderhoud de belangrijkste onderdelen (frame, mat, opvulling in de rand en veer systeem). Aan het begin van elk seizoen alsmede periodieke intervallen. Als deze controles niet worden uitgevoerd, kan de trampoline gevaarlijk worden. Om de kans op verwondingen te verkleinen volg dan de onderstaande richtlijnen.

Deze trampoline is ontworpen voor een bepaalde belasting en frequentie van gebruik. Zorg ervoor dat slechts een persoon op een bepaald moment gebruik maakt van de trampoline. Springers kunnen met blote voeten, of sokken springen op de trampoline. Zorg ervoor dat schoenen met een harde zool niet gedragen moeten worden op de trampoline. Om te voorkomen dat de springmat beschadigd geen huisdieren meenemen op de trampoline. Alle scherpe voorwerpen verwijderen van de springer voorafgaand aan het gebruik van de trampoline. Elk soort van scherpe of puntige voorwerpen moeten ten alle tijden van de springmat afgehouden worden.

Bewaar deze handleiding voor later. Controleer de trampoline altijd voor ieder gebruik op versleten, kapotte of ontbrekende onderdelen. De volgende factoren kunnen veiligheidsrisico's opleveren:

- Controleer alle moeren en bouten en draai deze vast indien nodig.
- Controleer of alle verende gewrichten nog intact zijn en niet los kunnen geraken tijdens het spelen.
- Controleer alle bekledingen en scherpe randen en vervang indien nodig.
- In bepaald landen tijdens de winter periode, kan de lading van de sneeuw en de lage temperatuur de trampoline beschadigen. Het is aanbevolen de sneeuw te verwijderen en de mat en beschermrand binnen op te bergen.
- Controleer of de mat en pad zonder defecten zijn. Onthoud; zonlicht, regen, sneeuw en extreme temperaturen verminderen de kracht van deze onderdelen met de tijd.
- Vervang het net na 2 jaar gebruik of wanneer het niet langer naar behoren werkt.
- Gaatjes of scheuren in de trampoline mat.
- Doorgezakte trampolinemat.
- Losse stiksels of enige andere vorm van slijtage aan de springmat.
- Verbogen of gebroken onderdelen van het frame.
- Kapotte, verroeste of ontbrekende veren.
- Beschadigde, ontbrekende of slecht bevestigde beschermrand.
- Uitstekende delen op het frame, veren of springmat.
- Zorg ervoor dat de haak- en lus bevestigingen op de juiste manier gesloten zijn tijdens gebruik van de trampoline.

**Als u een van de beschreven omstandigheden of andere mogelijk nadelige gevolgen voor de veiligheid opmerkt, moet de trampoline worden gedemonteerd of buiten gebruik worden gesteld totdat dit verholpen is.**

### Windcondities

Bij sterke wind kan de trampoline wegwaaien en beschadigd raken of schade aan eigendommen veroorzaken. Om de veiligheid te vergroten, raden we aan de officiële Salta Ankerzet te gebruiken. Als er hevige weersomstandigheden worden verwacht, moet de trampoline verplaatst worden naar een beschutte plek of te worden gedemonteerd.

### Verplaatsen van de trampoline

Als de trampoline verplaatst moet worden zijn er twee personen nodig. Til de trampoline iets op om te verplaatsen en houd deze parallel aan de grond. Voor vervoer van de trampoline moet deze gedemonteerd worden.

## 1. EINFÜHRUNG

Lesen Sie vor dem Gebrauch des Trampolins diese Gebrauchsanweisung mit allen Informationen gut durch. Wie bei allen Arten von körperlichen Betätigungen, besteht Verletzungsgefahr. Befolgen Sie die Sicherheitsregeln und Tipps, um das Verletzungsrisiko zu verringern.

- Es wird empfohlen, bei der Montage des Produkts Handschuhe zu tragen.
- Platzieren Sie das Trampolin nicht auf Beton, Asphalt oder eine andere harte Oberfläche.
- Ein unsachgemäßer und falscher Gebrauch des Trampolins ist gefährlich und kann zu ernsthaften Verletzungen führen!
- Durch die Federung wird der Springer in ungewohnte Höhen und Körperhaltungen katapultiert.
- Untersuchen Sie das Trampolin vor jedem Gebrauch auf Verschleiß sowie lockere und fehlende Teile.
- Starker Wind und Böen können eine Gefahr für im Freien aufgestellte Trampoline darstellen. Es wird empfohlen, das Trampolin mit Bodenankern zu sichern, um ein Wegwehen oder unkontrollierte Bewegungen durch Windeinwirkung zu verhindern. Oder entfernen Sie die Windfang-Komponenten wie das Netz und die Sprungmatte.
- Richtiges Zusammenbauen, Wartung, Sicherheitstipps und Warnungen werden in dieser Anleitung erklärt. Alle Benutzer und Aufsichtspersonen müssen sich mit diesen Anweisungen befassen. Jeder, der dieses Trampolin benutzt, muss sich seiner eigenen Grenzen in Bezug auf das Springen mit diesem Trampolin bewusst sein.

### WARNUNG

- WARNUNG! Gebrauchsanleitung lesen.
- WARNUNG! Keine Saltos schlagen.
- WARNUNG! Nur ein Benutzer. Kollisionsgefahr.
- WARNUNG!

FIRST CLASS	GRÖSSE	MAX. GEWICHT
5371 / 5372 / 5941	251 cm / 305 cm / 487 cm	150 kg
5373 / 5374	366 cm / 427 cm	180 kg

- WARNUNG! Vor dem Springen immer die Netzöffnung schließen.
- WARNUNG! Nur für private Anwendung.
- WARNUNG! Nur im Freien verwenden.
- WARNUNG! Das Trampolin muss von einem Erwachsenen gemäß Montageanleitung montiert und im Anschluss vor der ersten Verwendung geprüft werden.
- WARNUNG! Tragen Sie auf dem Trampolin keine Schuhe, da dies einen extremen Verschleiß des Matten Materials verursacht.
- WARNUNG! Verwenden Sie die Matte nicht, wenn sie nass ist.
- WARNUNG! Nur mit leeren Händen und Taschen springen.
- WARNUNG! Immer in der Mitte der Matte springen.
- WARNUNG! Essen Sie nicht, während Sie springen.
- WARNUNG! Das Trampolin nicht mit einem Sprung verlassen.
- WARNUNG! Nicht bei starkem Wind verwenden und das Trampolin gut fixieren.
- WARNUNG! Begrenzen Sie die Zeit durchgehender Nutzung (regelmäßige Pausen einlegen).
- WARNUNG! Beaufsichtigung durch einen Erwachsenen erforderlich.
- WARNUNG! Nicht geeignet für Kinder unter 36 Monaten. Erstickungsgefahr. Kleine Teile.
- Dieses Trampolin ist nicht dazu bestimmt in den Boden eingegraben zu werden.
- Das Netz sollte jedes alle 2 Jahre ersetzt werden.
- Die Vornahme von Änderungen am Trampolin ist nicht gestattet.
- Diese Anleitung für späteres Nachschlagen aufbewahren.
- Die selbstsichernde Muttern sind zum einmaligen Gebrauch bestimmt.
- Zweckentfremdung und Missbrauch dieses Trampolins kann zu ernsthaften Verletzungen führen.



- Vor der Benutzung überprüfen und alle verschlissenen, defekten oder fehlenden Teile ersetzen.
- Alle Sicherheitsanforderungen für dieses Produkt einhalten.
- Für Kinder unter 36 Monaten aufgrund mangelnder Fähigkeiten nicht geeignet.
- Von Feuer fernhalten.
- Nicht in das Sicherheitsnetz hängen oder klettern. Nicht in das Netz schneiden oder hineintreten.
- Kleidung ohne Zugbänder, Haken, Schleifen oder andere Dinge tragen die sich im Netz verfangen können.
- Montieren Sie nichts an das Sicherheitsnetz, das kein vom Hersteller empfehlendes Zubehör oder Teil des Sicherheitsnetzes ist.
- Nur durch den vorgesehenen Eingang der Trampolin betreten oder verlassen.
- Suchen Sie immer einen Arzt auf, bevor sie jegliche art von körperlicher Anstrengung durchführen.

## 2. INFORMATIONEN ÜBER DIE BENUTZUNG DES TRAMPOLINS TRAMPOLINE

Gewöhnen Sie sich zuerst an das Gefühl und das Springen auf dem Trampolin. Konzentrieren Sie sich auf die grundlegenden Körperpositionen und üben Sie jeden Sprung (die Grundsprünge), bis Sie ihn einfach und kontrolliert ausführen können.

**Um einen Sprung zu bremsen, müssen Sie Ihre Knie scharf beugen, bevor dies e mit der Trampolinmatte in Berührung kommen.** Diese Technik soll geübt werden, während Sie die einzelnen Grundsprünge lernen. Diese Bremstechnik sollte immer verwendet werden, wann Sie das Gleichgewicht oder die Kontrolle über Ihren Sprung verlieren.

Lernen Sie zuerst den einfachsten Sprung und beherrschen Sie diesen, bevor Sie zu einem schwierigeren und fortgeschrittenen Sprung gehen. **Ein kontrollierter Sprung ist ein Sprung, wobei das Startpunkt und das Landepunkt auf der Sprungmatte identisch ist.** Wenn Sie zum nächsten Sprung gehen, ohne den Ersten zu meistern, erhöhen Sie das Risiko, sich zu verletzen.

Springen Sie nicht zu lange auf dem Trampolin, da Erschöpfung das Risiko sich zu verletzen erhöht. Springen Sie nur eine kurze Zeit und erlauben Sie dann anderen am Spaß teilzunehmen! Erlauben Sie niemals, mehr als eine Person auf dem Trampolin zu springen.

Die Springer sollten ein T-Shirt, kurze Hosen oder einen Pulli tragen und Gymnastikschuhe, schwere Socken oder barfuß. Wenn Sie Anfänger sind, können Sie zum Schutz gegen Kratzer und Schürfwunden ein langärmeliges T-Shirt und lange Hosen tragen bis Sie die richtigen Landstellungen und Landeformen beherrschen. Tragen Sie auf dem Trampolin keine Schuhe mit harten Sohlen, wie z.B. Tennisschuhe, da diese das Material der Sprungmatte übermäßig abnutzen.

Steigen Sie immer ordnungsgemäß auf und ab von dem Trampolin, um eine Verletzung zu vermeiden. Setzen Sie zum richtigen Aufsteigen Ihre Hand auf den Rahmen und steigen oder rollen Sie auf den Rahmen, über die Federn auf die Sprungmatte. Denken Sie immer daran, Ihre Hände beim Auf- und Absteigen auf den Rahmen zu setzen. Ergreifen oder steigen Sie nicht direkt auf das Rahmenpolster. Zum richtigen Absteigen bewegen Sie sich zur Seite des Trampolins, setzen Ihre Hand zur Unterstützung auf den Rahmen und steigen Sie von der Matte auf dem Boden. Kleinere Kinder sollten beim Auf- und Absteigen vom Trampolin unterstützt werden.

Springen Sie nicht waghalsig auf dem Trampolin herum, da dies das Verletzungsrisiko erhöht. Der Schlüssel für Sicherheit und Spaß auf dem Trampolin sind die Kontrolle und Meisterung der verschiedenen Sprünge. Versuchen Sie niemals, einen anderen Springer in der Höhe zu übertreffen! Benutzen Sie das Trampolin niemals ohne Aufsicht eine Erwachsene.

### 3. UNFALL KLASSIFIKATION

**Auf- und absteigen:** Sie sollten beim auf- und absteigen vom Trampolin sehr vorsichtig sein. Steigen Sie NICHT auf das Trampolin indem das Rahmenpolster zu ergreifen, auf die Federn zu treten oder von irgen deinem Gegenstand (z.B. einer Terrasse, einem Dach oder einer Leiter) auf der Trampolin zu springen. Dies erhöht Ihre Verletzungsgefahr! Steigen Sie NICHT vom Trampolin, um auf den Boden zu springen, unabhängig vom Aufbau des Bodens. Kleinere Kinder sollten beim auf- und absteigen vom Trampolin unterstützt werden.

**Einnahme von Alkohol oder Drogen:** Nehmen Sie KEINEN Alkohol oder Drogen wenn Sie dieses Trampolin benutzen! Dies erhöht Ihre Verletzungsgefahr, da diese Substanzen Ihr Urteilsvermögen, Reaktionszeit und Ihr Körperbeherrschung beeinträchtigt.

**Den Rahmen oder die Federn berühren:** Bleiben Sie beim Springen auf dem Trampolin in der MITTE von die Sprungmatte. Dadurch mindern Sie Ihr Risiko, durch einen Aufprall auf die Federn oder dem Rahmen verletzt zu werden. Die Rahmenpolster müssen immer den Trampolinrahmen abdecken. Springen oder steigen Sie NIEMALS auf das Randkissen, da dieses nicht dafür ausgelegt wurde, das Gewicht einer Person auszuhalten.

**Verlust der Kontrolle:** Probieren Sie KEINE schwierigen Manöver, solange Sie nicht die vorhergehenden Sprünge beherrschen oder wenn Sie das Springen auf dem Trampolin erst lernen. Sollten Sie diesem Rat zu wider handeln, erhöhen Sie die Verletzungsgefahr. Sie könnten auf dem Rahmen, die Federn oder völlig außerhalb des Trampolins aufkommen. Ein kontrollierter Sprung zeichnet sich dadurch aus, dass man auf demselben Punkt aufkommt, von dem man abgesprungen ist. Sollten Sie die Kontrolle verlieren, während Sie auf dem Trampolin springen, beugen Sie stark die Knie bei der Landung. Dadurch bekommen Sie wieder Kontrolle und können Sie den Sprung stoppen.

**Saltos:** Vollziehen Sie KEINE Saltos jeglicher Art (vorwärts oder rückwärts) auf der Trampolin. Sollte Sie ein Fehler machen, könnten Sie auf dem Kopf oder Nacken aufkommen. Dadurch erhöht sich das Risiko, sich das Genick oder Wirbelsäule zu brechen, was zu Tod oder Lähmung führen kann.

**Andere Objekte:** Verwenden Sie das Trampolin NICHT, wenn sich Tiere, andere Menschen oder Gegenstände unter ODER auf dem Trampolin befinden, da sich dadurch das Verletzungsrisiko erhöht. Halten Sie KEINE Objekte in der Hand und legen Sie KEINE Objekte auf das Trampolin, während jemand darauf springt. Achten Sie darauf, was über Ihrem Kopf ist, wenn Sie auf dem Trampolin springen. Sollten sich Bäume, Äste, Drähte oder andere Dinge über dem Trampolin befinden, erhöht sich dadurch Ihre Verletzungsgefahr.

**Schlechte Wartung des Trampolins:** Ein Trampolin in schlechtem Zustand erhöht Ihre Verletzungsgefahr. Bitte überprüfen Sie das Trampolin vor jeder Benutzung auf durchgebogene Stahlrohre, eine abgenutzte Matte, lose oder gebrochene Federn und die allgemeine Stabilität des Trampolins.

**Wetterbedingungen:** Bitte beachten Sie die Wetterbedingungen bei der Benutzung des Trampolins. Nicht verwenden, wenn die Trampolin-Matte nass ist. Die Person könnte ausrutschen und sich schwer verletzen. Bei zu starkem Wind kann er die Kontrolle verlieren.

**Begrenzung des Zugangs:** Wenn das Trampolin nicht in Gebrauch ist, immer den Leiter in einem sicheren platz bewahren, so dass unbeaufsichtigte Kinder nicht auf dem Trampolin können spielen.

#### TIPPS ZUR VERRINGERUNG DES UNFALLRISIKOS

##### Die Rolle des Springers bei der Unfallprävention:

Das Entscheidende ist, während des Springers die Kontrolle zu behalten. Machen Sie KEINE komplizierten, schwierigen Manöver, bevor Sie die einfachen Grundsprünge nicht beherrschen. Erziehung ist ebenfalls sehr wichtig für die Sicherheit. Lesen, verstehen und üben Sie alle Sicherheitsvorkehrungen und Warnungen vor der Benutzung des

Trampolins. Bei einem kontrollierten Sprung, kommen Sie auf der gleichen Stelle auf, von der Sie abgesprungen sind. Für zusätzliche Sicherheitshinweise und Sicherheitsanweisungen, setzen Sie sich mit einem staatlich anerkannten Trampolin-Trainer in Verbindung.

#### **Die Rolle der Aufsichtsperson bei der Unfallprävention:**

Aufsichtspersonen sollen alle Sicherheitshinweise- und Richtlinien verstehen und durchsetzen. Es liegt in der Verantwortung der Aufsichtspersonen, allen Springern auf dem Trampolin kompetente Hinweise und Unterweisung zu erteilen. Sollte eine Aufsichtsperson nicht verfügbar oder unangemessen sein, sollte das Trampolin an einem sicheren Ort aufbewahrt und demontiert werden, um unbefugte Benutzung zu verhindern. Dabei sollte es mit einer schweren Plane abgedeckt werden, die mit Schlössern und Ketten gesichert werden kann. Der Aufsichtsperson ist ebenfalls dafür verantwortlich, dass die Sicherheitshinweise auf dem Trampolin angebracht sind und die Springer über diese Warnungen und Hinweise informiert werden.

## **4. TRAMPOLIN SICHERHEITSANWEISUNGEN**

### **Springer**

- Verwenden Sie das Trampolin nicht, wenn Sie Alkohol oder Drogen konsumiert haben.
- Legen Sie alle harten und scharfen Gegenstände ab, bevor Sie das Trampolin verwenden.
- Das Auf- und Absteigen sollte kontrolliert und vorsichtig erfolgen. Springen Sie niemals auf das Trampolin hinauf oder von dem Trampolin herunter. Verwenden Sie dieses niemals als Vorrichtung, um auf oder in andere Objekte zu springen.
- Lernen Sie zunächst die Grundsprünge und beherrschen Sie diese, bevor Sie schwierigere Sprünge versuchen. Lesen Sie hierzu den Abschnitt „Grundtechniken“, um zu erfahren, wie man die Grundsprünge ausführt.
- Um Sprünge abubrechen, beugen Sie DIE Knie, wenn Sie mit Ihren Füßen auf der Matte landen.
- Behalten Sie immer die Kontrolle, wenn Sie springen. Ein kontrollierter Sprung ist dadurch gekennzeichnet, dass Sie auf dem gleichen Ort landen, von dem Sie losspringen. Sollten Sie zu irgendeinem Zeitpunkt das Gefühl haben, dass Sie die Kontrolle verlieren, dann brechen Sie den Sprung ab.
- Springen oder federn Sie nicht über einen längeren Zeitraum oder über mehrere Sprünge zu hoch.
- Halten Sie die Augen auf der Matte zum Kontrolle zu halten. Wenn Sie das nicht tun, könnten Sie Gleichgewicht und die Kontrolle verlieren.
- Es sollte sich niemals mehr als eine Person gleichzeitig auf dem Trampolin befinden.
- Bei der Benutzung des Trampolins durch Kinder muss immer eine Aufsichtsperson dabei sein.

### **Aufsichtspersonen**

Machen Sie sich mit den Grundsprüngen und Sicherheitshinweisen vertraut. Um Verletzungen vorzubeugen bzw. die Verletzungsgefahr zu vermindern, sorgen Sie für die Einhaltung aller Sicherheitsanweisungen und stellen Sie sicher, dass die Springer die Grundsprünge lernen, bevor Sie mit fortgeschrittenen Sprüngen beginnen.

- Alle Springer müssen überwacht werden, ganz gleich welche Fähigkeiten oder welches Alter sie haben.
- Das Trampolin sollte niemals verwendet werden, wenn es feucht, beschädigt, schmutzig oder abgenutzt ist. Das Trampolin muss überprüft werden, bevor die Springer es benutzen.
- Halten Sie alle Objekte, die dem Springer in den Weg geraten könnten, vom Trampolin entfernt.
- Beachten Sie, was sich über, unter und um das Trampolin herum befindet.
- Verhindern Sie eine unbeaufsichtigte und unberechtigte Nutzung. Das Trampolin sollte abgesichert sein, wenn es nicht benützt wird.

## 5. TRAMPOLIN PLATZIERUNG

Die minimal erforderliche Überkopfhöhe beträgt 7,3 Meter (24 Fuß) und lassen Sie um das Trampolin einen Freiraum von 2 Meter. Bezüglich des seitlichen Freiraums stellen Sie bitte sicher, dass keine gefährlichen Gegenstände wie Äste, andere Freizeitgeräte (z.B. Schaukel, Swimmingpool), Stromkabel, wände, Zäune etc. in der Nähe des Trampolins sind.

Für den sicheren Gebrauch des Trampolins, berücksichtigen Sie bitte Folgendes, sobald ein Platz für Ihr Trampolin vorgewählt wurde:

- Stellen Sie sicher, dass es auf eine waagerechte, ebene Fläche gesetzt wird.
- Der Bereich muss gut beleuchtet sein.
- Es darf keine Hindernisse rund um und unter das Trampolin geben.

Wenn Sie diesen Richtlinien nicht folgen, erhöhen Sie die Verletzungsgefahr.

## 6. GEWÄHRLEISTUNG

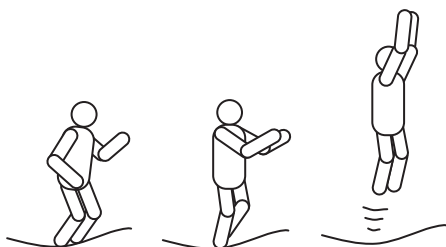
Informationen dazu erhalten Sie auf unserer Website [www.salta.com](http://www.salta.com).

Gewährleistungsansprüche können unter Vorlage der Original-Rechnung geltend gemacht werden. Die Gewährleistung gilt nur für Material- und Konstruktionsfehler in Bezug auf das Produkt oder seine Bestandteile. Die Gewährleistung erlischt, wenn:

- das Produkt unsachgemäß, fahrlässig oder auf ungeeignete Weise verwendet wird,
- das Produkt nicht vorschriftsgemäß montiert / gewartet wurde,
- das Produkt in die Erde vergraben wurde,
- Schäden durch externe Einflüsse verursacht wurden (z. B. Klimaeinflüsse, wie normale Verwitterung durch UV-Strahlen oder normale Abnutzung),
- Änderungen des Trampolins oder Umbauten vorgenommen wurden,
- das Produkt öffentlich oder im Freizeitgewerbe eingesetzt wird,
- defekte Bestandteile durch keine originalen Salta-Bestandteile ersetzt wurden.

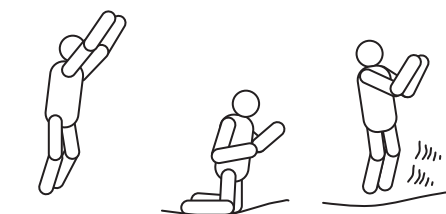
## 7. GRUNDLEGENDE TRAMPOLINSPRÜNGE

### GRUND SPRUNG



1. Starten Sie aus dem Stand, Füße schulterbreit auseinander, Kopf aufrecht und die Augen auf die Matte gerichtet.
2. Schwingen Sie die Arme kreisförmig nach vorne und oben.
3. Bringen Sie mitten in der Luft die Füße zusammen und zeigen Sie mit den Zehen nach unten.
4. Halten Sie die Füße beim Landen auf der Matte schulterbreit auseinander.

### KNIESPRUNG



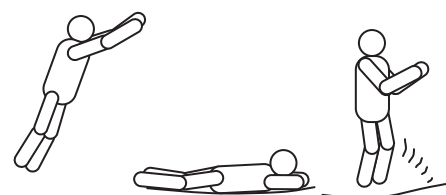
1. Starten Sie mit dem Grundsprung und springen Sie dabei niedrig.
2. Landen Sie mit geradem Rücken und aufrechtem Körper auf den Knien und halten Sie mit Ihren Armen das Gleichgewicht.
3. Springen Sie in die grundlegende Sprungposition zurück, indem Sie die Arme nach oben schwingen.

### SITZSPRUNG



1. Landen Sie in einer flach sitzenden Position.
2. Platzieren Sie die Hände auf die Matte neben der Hüfte und halten Sie die Ellenbogen locker.
3. Kehren Sie in die aufrechte Position zurück, indem Sie sich mit den Händen abdrücken.

### NACH-VORNE SPRUNGEN



1. Starten Sie mit einem niedrigen Sprung.
2. Landen Sie in der Bauchlage (Gesicht nach unten) und halten Sie die Hände und Arme ausgestreckt nach vorne auf der Matte.
3. Drücken Sie sich mit den Armen von der Matte ab, um in den Stand zurückzukehren.

### 180 GRAD SPRUNG



1. Starten Sie in der Bauchlage.
2. Drücken Sie sich mit dem rechten oder linken Arm ab (abhängig davon, in welche Richtung Sie sich drehen möchten).
3. Strecken Sie Kopf und Schultern in die gleiche Richtung und halten Sie den Rücken parallel zur Matte und den Kopf nach oben.
4. Landen Sie in der Bauchlage und Kehren Sie in den Stand zurück, indem Sie sich mit den Armen abdrücken.

## 8. PFLEGE UND WARTUNG

Dieses Trampolin wurde aus qualitativ hochwertigen Materialien und mit handwerklichem Können hergestellt. Wenn es richtig gepflegt und gewartet wird, kann es den Springern jahrelang für Übungen, Spaß und Unterhaltung zur Verfügung stehen. Zugleich wird die Verletzungsgefahr gemindert. Kontrolle und Wartung der Hauptbestandteile (Rahmen, Aufhängesystem, Matte und Abdeckung) zu Beginn jeder Saison und auch in regelmäßigen Abständen. Werden diese Kontrollen nicht durchgeführt, kann das Trampolin gefährlich werden. Bitte folgen Sie den folgenden Anweisungen.

Das Trampolin ist dafür ausgelegt, einem bestimmten Gewicht und bestimmter Benutzung standzuhalten. Bitte stellen Sie sicher, dass zu jedem Zeitpunkt nur eine Person das Trampolin verwendet. Die Springer sollten Socken tragen bzw. barfuß sein, wenn Sie das Trampolin verwenden. Bitte beachten Sie, dass KEINE Straßen- oder Tennisschuhe getragen werden sollten. Um zu vermeiden, dass das Trampolin zerschnitten oder beschädigt wird, lassen Sie keine Tiere auf die Matte. Weiterhin sollten Springer alle scharfen Gegenstände ablegen, bevor sie das Trampolin benutzen. Jede Art scharfer oder spitzer Gegenstände sollten von der Trampolinmatte stets ferngehalten werden.

Diese Anleitung für späteres Nachschlagen aufbewahren. Überprüfen Sie das Trampolin vor jeder Verwendung auf abgenutzte, überbeanspruchte oder fehlende Teile. Es können sich verschiedene Ursachen ergeben, die Ihre Verletzungsgefahr erhöhen. Bitte achten Sie auf:

- Kontrollieren Sie alle Muttern und Schrauben auf festen Sitz und ziehen Sie diese fest, falls erforderlich.
- Kontrollieren Sie, ob alle gefederten (Steckverbindung) Verbindungen noch intakt sind und sich während des Springens nicht lösen können.
- Kontrollieren Sie alle Abdeckungen und scharfen Enden und ersetzen Sie diese, falls erforderlich.
- In bestimmten Ländern können die Schneelast und die niedrigen Temperaturen in den Wintermonaten das Trampolin beschädigen. Es wird empfohlen, den Schnee zu entfernen und die Matte und die Anlage im Gebäudeinneren zu lagern.
- Stellen Sie sicher, dass die Matte und die Abdeckung keine Schäden aufweisen; HINWEIS: Sonnenlicht, Regen, Schnee und extreme Temperaturen beeinträchtigen die Qualität dieser Bestandteile im Laufe der Zeit.
- Tauschen Sie das Netz nach 2 Jahren Nutzung aus oder wenn es seinen Zweck nicht mehr ordnungsgemäß erfüllt.
- Einstiche, Löcher oder Risse in der Trampolinmatte.
- Durchhängende Trampolinmatte.
- Lose Nähte oder jegliche Art von Abnutzung der Matte.
- Geknickte oder gebrochene Rahmenteile.
- Gebrochene, fehlende oder beschädigte Federn.
- Einer beschädigten, fehlenden oder unzureichend befestigten Stoßmatte.
- Hervorstehenden Teilen (vor allem scharfe Teilen) am Rahmen, den Federn oder der Matte.
- Stellen Sie sicher, dass die Klettverbindungen ordnungsgemäß geschlossen sind, wenn das Trampolin verwendet wird.

**Sollte irgendeiner der vorgenannten Zustände eintreten oder sonst etwas, von dem Sie denken, es könnte einem Benutzer schädigen, muss das Trampolin demontiert und sicher verwahrt werden, solange bis die Ursache behoben ist.**

### Situationen mit Wind

Im Fall von extremen Wettersituationen kann es passieren, dass der Trampolin wegweht. Damit mehr Sicherheit eingebaut wird, empfehlen wir Ihnen die offizielle Salta Verankerungsanlage zu nutzen. Wenn sich heftige Wetterumstände vortun, dann soll der Trampolin auf eine andere Stelle hingestellt werden oder in Einzelteile zerlegt werden.

**Transport des trampolins**

Sollte ein Transport des Trampolins nötig sein, sollten daran mindestens zwei Personen benötigt sein. Beim Transport sollte das Trampolin leicht vom Boden gehoben und horizontal gehalten werden. Für jede andere Transportart, sollte das Trampolin auseinandergebaut werden.

## 1. INTRODUCTION

Avant de commencer à utiliser ce trampoline, assurez-vous de lire attentivement toutes les informations fournies dans ce manuel. Comme toutes les autres activités physiques récréatives, le trampoline est une activité à risque. Pour réduire tout risque de blessure, veuillez respecter les consignes de sécurité.

- Il est recommandé de porter des gants lors de l'installation des produits.
- Ne placez pas le trampoline sur du béton, de l'asphalte ou toute autre surface dure.
- Un mauvais usage ou un abus de ce trampoline représente un danger et pourrait causer des blessures graves!
- Les trampolines, très souvent utilisés comme des outils de sport et d'attraction, propulsent le sauteur à des hauteurs inhabituelles et amplifient ses figures acrobatiques.
- Toujours inspecter le trampoline avant chaque utilisation afin de s'assurer que le tapis est en bon état.
- Des vents forts et rafales peuvent présenter un danger pour les trampolines se trouvant à l'extérieur. Nous vous recommandons d'ancrer le trampoline avec le kit d'ancrage pour empêcher le trampoline de faire des mouvements imprévus ou d'être emporté par le vent. Ou supprimer les éléments pouvant attraper le vent tels que le filet ou le tapis de saut.
- Les consignes de montage, d'entretien et de maintenance du produit, ainsi que les conseils de sécurité, les avertissements et les techniques de saut et de rebond sont disponibles dans ce manuel. Tous les utilisateurs et moniteurs doivent lire et se familiariser avec ces consignes. Quiconque choisit d'utiliser ce trampoline doit être conscient de ses propres limites en ce qui concerne l'exécution de divers sauts et figures.

### AVERTISSEMENT

- AVERTISSEMENT! Lisez les instructions avant d'utiliser ce trampoline.
- AVERTISSEMENT! Pas des sauts périlleux.
- AVERTISSEMENT! Uniquement un seul utilisateur à la fois. Danger de collision.
- AVERTISSEMENT!

FIRST CLASS	DIMENSION	POIDS MAXIMAL
5371 / 5372 / 5941	251 cm / 305 cm / 487 cm	150 kg
5373 / 5374	366 cm / 427 cm	180 kg

- AVERTISSEMENT! Fermez toujours les ouvertures du filet avant de faire des sauts.
- AVERTISSEMENT! Uniquement pour usage domestique.
- AVERTISSEMENT! Uniquement pour un usage en extérieur.
- AVERTISSEMENT! Le trampoline doit être monté par un adulte selon le plan de montage puis contrôlé avant la première utilisation.
- AVERTISSEMENT! Ne portez pas de chaussures sur le trampoline, car cela pourrait causer une usure excessive sur le matériau du tapis de saut.
- AVERTISSEMENT! N'utilisez pas le tapis de saut lorsqu'il est mouillé.
- AVERTISSEMENT! Videz vos poches et ayez les mains libres avant de sauter.
- AVERTISSEMENT! Sautez toujours au milieu du tapis de saut.
- AVERTISSEMENT! Ne mangez pas lorsque vous sautez.
- AVERTISSEMENT! Ne sortez pas en sautant.
- AVERTISSEMENT! Par vent fort, n'utilisez pas le trampoline et attachez-le.
- AVERTISSEMENT! Limitez le temps d'utilisation continue (faites des pauses régulièrement).
- AVERTISSEMENT! La surveillance d'un adulte est requise.
- AVERTISSEMENT! Ne convient pas aux enfants de moins de 36 mois. Risque d'étouffement. Petit pièces.
- Ce trampoline n'est pas destiné à être enfoui sous terre.
- Le filet devra être remplacé tous les 2 ans.
- Le trampoline ne doit pas être modifié.
- Conservez le manuel d'entretien.



- Les écrous autobloquants doivent uniquement être utilisés pour une installation définitive.
- Une mauvaise utilisation ou utilisation abusive de ce trampoline peut causer de graves blessures.
- Inspectez avant utilisation et remplacez toute pièce usée, défectueuse ou manquante.
- Respectez toutes les règles de sécurité associées à ce produit.
- Ne convient pas à un enfant de moins de 36 mois, du fait de manque d'habileté.
- Tenir à l'écart du feu.
- Ne pas s'accrocher à, couper ou grimper sur le filet de sécurité.
- Porter des vêtements dépourvus de cordons, crochets, boucles ou de tout ce qui pourrait se coincer ou s'accrocher à l'armature en acier.
- Ne pas fixer quoi que ce soit sur le filet de protection qui ne soit pas un accessoire ou une pièce approuvée par le fabricant du produit.
- Monter et descendre du trampoline par l'ouverture réservée à cet effet.
- Consultez toujours un docteur/médecin avant d'effectuer tout type d'activité physique.

## 2. INFORMATIONS SUR L'UTILISATION DU TRAMPOLINE

Avant tout, vous devez vous habituer à la sensation et aux sauts de base du trampoline. Tout en maintenant la tête haute, gardez les yeux rivés sur le trampoline. Vous devez vous exercer continuellement (sauts de base) jusqu'à ce que vous ayez une maîtrise parfaite des figures de base.

**Pour vous arrêter, pliez les genoux au moment où vous touchez le tapis de saut du trampoline, afin d'amortir le rebond dû à l'effet des ressorts.** Cette technique devrait être pratiquée pendant que vous vous exercez à chacun des sauts de base. Le réflexe d'arrêt doit être utilisé à chaque fois que vous perdez le contrôle de votre saut.

Avant tout, il est important d'apprendre les sauts les plus simples et d'être en mesure de contrôler vos mouvements sur les figures les plus difficiles à exécuter. **On parle de saut contrôlé lorsque votre point de décollage est le même que votre point d'atterrissage sur le tapis.** Si vous passez au mouvement suivant sans avoir maîtrisé le mouvement précédent, vous augmentez vos chances de vous blesser.

Ne sautez pas sur le trampoline pendant longtemps car la fatigue pourrait prendre le dessus et augmenter vos chances de vous blesser. Sautez pendant une brève période de temps puis permettez aux autres de se joindre à la fête ! N'admettez jamais plus d'une personne sur le trampoline.

Tout sauteur doit porter un t-shirt, un short et des chaussons de gymnastique, des chaussettes lourdes ou être pieds nus. Si vous êtes nouveau au trampoline, vous pouvez vouloir porter des chemises et des pantalons à manches longues pour vous protéger des éraflures et des écorchures, jusqu'à ce que vous maîtrisiez les positions d'atterrissage. Ne sautez pas avec des chaussures à semelles dures, telles que des chaussures de tennis, sur le trampoline car cela pourrait provoquer une usure excessive du tapis.

Vous devez toujours monter et démonter correctement afin d'éviter de vous blesser. Pour monter correctement, vous devez placer votre main sur l'armature en acier puis accrocher le tapis de saut à l'aide des ressorts et enfin placer le filet de protection. N'oubliez jamais de prendre l'appui sur la structure pendant le montage et le démontage du trampoline. Ne marchez pas directement sur le tapis de saut. Pour démonter correctement, positionnez-vous sur le côté du trampoline et placez votre main sur l'armature pour prendre appui; ensuite décrochez les ressorts de fixation du tapis. Les petits enfants devraient être assistés lors du montage et du démontage du trampoline.

Ne sautez pas imprudemment sur le trampoline car cela pourrait augmenter vos chances de vous blesser. Pour s'amuser en toute sécurité sur un trampoline, il est important de maîtriser et de pouvoir contrôler les différents mouvements. N'essayez jamais de sauter au-delà des limites déterminées ! N'utilisez jamais le trampoline tout seul sans supervision.

### 3. ACCIDENT CLASSIFICATION

**Montage et démontage:** Soyez très prudent lorsque vous montez et démontez le trampoline. NE PAS monter le trampoline en vous appuyant sur l'armature en acier, en marchant sur les ressorts ou en sautant sur le tapis à partir de n'importe quel objet (ex : échelle, toit ou pont). Cela augmentera vos chances de blessure! NE PAS démonter en sautant sur le trampoline et en atterrissant sur le sol indépendamment de la matière dont ce dernier est recouvert. Si de petits enfants désirent s'amuser sur le trampoline, ils pourraient avoir besoin d'aide au moment du montage.

**Consommation d'alcools ou de drogues:** NE PAS consommer d'alcool ou de drogue avant d'utiliser le trampoline. La consommation de telles substances pourrait augmenter vos chances de blessure étant donné qu'elles altèrent vos jugement, temps de réaction et la coordination physique générale.

**Atterrissage sur l'armature ou sur les ressorts:** Lorsque vous sautez sur le trampoline, assurez-vous de RESTER au centre du tapis de saut. Cela réduira tout risque de blessure provoquée par l'atterrissage sur l'armature en acier ou les ressorts. Assurez-vous toujours que le tapis du trampoline est couvert par un coussin de protection. NE PAS sauter directement sur le coussin de protection car ce dernier n'a pas été prévu pour supporter le poids d'une personne.

**Perte de contrôle:** NE PAS essayer des manœuvres difficiles ou une quelconque manœuvre jusqu'à ce que vous ayez maîtrisé cette dernière, ou si vous apprenez encore à sauter sur un trampoline. Si tel est le cas, vous augmenterez tout risque de blessure en atterrissant sur l'armature en acier, les ressorts ou en dehors du trampoline à la suite d'une perte de contrôle. On parle de saut réussi lorsque vous atterrissez au point sur lequel vous avez décollé. Si vous perdez tout contrôle lorsque vous sautez sur le trampoline, pliez vos genoux fermement au moment de l'atterrissage; cela vous permettra de reprendre le contrôle de votre saut.

**Sauts périlleux (saltos):** NE PAS EFFECTUER de saut périlleux de quelque façon que ce soit (avant ou arrière) sur le trampoline. Si vous essayez d'exécuter un saut périlleux, vous pourriez atterrir sur votre tête ou sur votre cou. Cela augmenterait vos chances de vous briser le cou ou le dos, ce qui entraînerait une paralysie ou la mort.

**Objets étrangers:** N'utilisez PAS le trampoline si des animaux, autres personnes ou objets sont sous le trampoline ou à l'intérieur de celui-ci. Cela augmentera vos chances de vous blesser. NE PAS tenir d'objets étrangers et NE PAS jeter un quelconque objet sur le trampoline pendant que ce dernier est utilisé. Assurez-vous qu'aucun objet ne surplombe vos têtes lorsque vous sautez sur le trampoline. Les branches d'arbres, les fils de courant ou autres objets surplombant vos têtes augmentent vos chances de blessure.

**Mauvais entretien du trampoline:** Un trampoline en mauvais état augmentera vos chances de blessure. Veuillez inspecter le trampoline avant chaque utilisation afin de vous assurer qu'aucun poteau n'est cassé, que la toile de saut n'est pas déchirée, qu'aucun ressort n'est cassé ou desserré, et que le trampoline est stable.

**Conditions météorologiques:** Vérifiez les conditions météorologiques avant toute utilisation du trampoline. Ne l'utilisez pas si le tapis de saut du trampoline est mouillé : la personne qui saute pourrait glisser et se blesser. Si le vent souffle trop fort, le sauteur pourrait perdre l'équilibre.

**Limitation d'accès:** Lorsque le trampoline n'est pas utilisé, toujours garder l'échelle d'accès à un endroit sûr afin que les enfants ne puissent pas jouer sur le trampoline en votre absence.

## CONSEILS POUR RÉDUIRE LES RISQUES D'ACCIDENT

### Rôle du sauteur dans la prévention des accidents

Le plus important ici est de garder son équilibre pendant le saut. NE PAS exécuter des figures plus complexes jusqu'à ce que vous ayez une parfaite maîtrise des sauts de base.

L'éducation est également un élément clé de la sécurité. Assurez-vous de lire, comprendre et prendre toutes les précautions de sécurité et les avertissements avant d'utiliser le trampoline. On parle de saut contrôlé est lorsque vous atterrissez à l'endroit où vous avez décollé. Pour obtenir des conseils et des consignes de sécurité supplémentaires, contactez un moniteur de trampoline agréé.

### Rôle du moniteur dans la prévention des accidents

Le moniteur doit pouvoir comprendre et appliquer toutes les règles et directives de sécurité. Il est de la responsabilité du moniteur de fournir des conseils et l'orientation nécessaires à tous les sauteurs du trampoline. Si aucun moniteur n'est disponible, le trampoline doit être démonté et gardé à un endroit sûr afin d'empêcher toute utilisation non autorisée, ou recouvert d'une bâche lourde pouvant être verrouillée ou fermée à l'aide d'une serrure ou de chaînes. Le moniteur doit également s'assurer qu'une étiquette signalétique est collée au trampoline et que les sauteurs sont informés de ces avertissements et consignes.

## 4. CONSIGNES DE SECURITE TRAMPOLINE

### Sauteurs

- Ne montez pas sur le trampoline si vous avez consommé de l'alcool ou de la drogue.
- Débarrassez-vous des objets tranchants avant d'utiliser le trampoline.
- Vous devez monter et descendre du trampoline prudemment. Ne jamais sauter ou bondir sur le trampoline et ne jamais utiliser le trampoline comme appui pour atterrir sur un autre objet.
- Toujours apprendre les sauts de base et en avoir la maîtrise parfaite avant d'essayer des figures plus complexes. Consultez la section Compétences de base pour apprendre à exécuter les sauts de base.
- Pour arrêter de rebondir, fléchissez les genoux au moment d'atterrir sur la toile de saut avec vos pieds.
- Ayez toujours le contrôle de vos mouvements lorsque vous sautez sur le trampoline. On parle de saut contrôlé lorsque vous atterrissez au point sur lequel vous avez décollé. Si à un moment vous vous sentez que perdez le contrôle, essayez de vous arrêter.
- Ne pas sauter ou rebondir trop longtemps ou trop haut.
- Gardez toujours un œil sur le tapis de saut du trampoline. Si vous ne le faites pas, vous risquez de perdre l'équilibre ou le contrôle.
- Ne jamais autoriser plus d'une personne à la fois à monter sur le trampoline.
- Vous devez toujours être surveillé par un moniteur lorsque vous montez sur le trampoline.

### Moniteurs

Familiarisez-vous avec les sauts de base et les règles de sécurité. Pour prévenir et réduire les risques de blessures, appliquez toutes les règles de sécurité et veillez à ce que les nouveaux sauteurs apprennent les sauts de base avant d'essayer des figures plus complexes.

- Chaque sauteur doit être surveillé, quelque soit son niveau de compétence ou son âge.
- Ne jamais utiliser le trampoline quand il est mouillé, endommagé, sale ou usé. Le trampoline doit être inspecté avant que les sauteurs ne commencent à y rebondir.
- Gardez à l'écart tous les objets qui pourraient interférer avec le sauteur.
- Vérifiez qu'aucun objet ne se trouve au-dessus, en-dessous et autour du trampoline.
- Pour empêcher une utilisation non surveillée et non autorisée, le trampoline doit être bien gardé en cas de non utilisation.

## 5. DISPOSITION DU TRAMPOLINE

La hauteur minimum requise est de 24 pieds (7,3 mètres) et l'espace minimum de 2 mètres autour du périmètre du trampoline. En termes d'espace horizontal, assurez-vous qu'aucun objet dangereux ne se trouve aux alentours du trampoline, tel qu'une branche d'arbre, d'autres objets de loisir (par ex : balançoires, piscines), des câbles électriques, un mur, une clôture etc.

Pour une utilisation sûre du trampoline, soyez conscient de ce qui suit lors de la sélection d'un emplacement pour votre trampoline:

- Assurez-vous qu'il est disposé sur une surface plane.
- La zone est bien dégagée.
- Il n'existe aucune obstruction en-dessous du trampoline.

Si vous ne respectez pas ces consignes, vous augmentez le risque de blessure.

## 6. GARANTIE

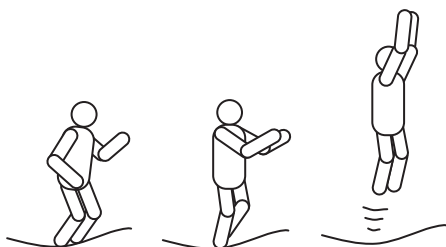
Pour obtenir des informations sur la garantie, veuillez consulter notre site web: [www.salta.com](http://www.salta.com).

La garantie peut être réclamée en présentant la facture originale. La garantie s'applique uniquement au matériel et aux défauts de fabrication du produit ou de ses pièces. La garantie expire si:

- Le produit est utilisé de manière incorrecte, négligente ou inappropriée.
- Le produit n'est pas installé selon les instructions / la maintenance.
- Le produit est enterré dans le sol.
- Des défauts sont causés par des conditions extérieures (ex.: conditions climatiques comme une altération météorologique normale par des rayons UV ou une usure normale).
- Des changements ou modifications au trampoline sont effectués.
- Le produit est utilisé pour le public ou le marché des loisirs.
- Les pièces défectueuses n'ont pas été remplacées par des pièces de rechanges originales Salta.

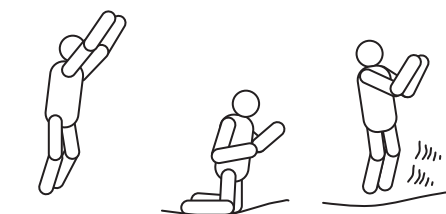
## 7. SAUTS DE BASE DU TRAMPOLINE

### LA CHANDELLE



1. Commencez en position debout, les pieds à la largeur des épaules, la tête tournée vers le bas et les yeux rivés vers le tapis.
2. Balancez les bras vers l'avant et le haut, puis dans un mouvement circulaire.
3. Vos jambes doivent être collées et les orteils tendus lorsque vous êtes en l'air.
4. Pour décoller du tapis de saut, poussez sur vos jambes, et lancez votre corps dans les airs en balançant vos bras vers le haut.

### LE SAUT DE GENOU



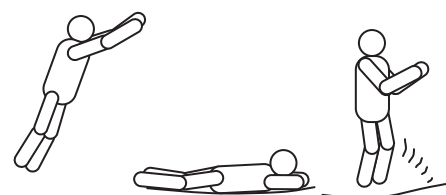
1. Commencez par un saut classique.
2. Essayez de garder le corps droit et utilisez vos bras pour vous maintenir en équilibre.
3. Vos jambes doivent être légèrement écartées et les mains levées vers le ciel lorsque vous atterrissez sur le trampoline.

### LE SAUT DES FESSES



1. Vous devez atterrir en position assise.
2. Lorsque vous revenez sur le tapis de saut, ramenez vos bras vers le bas.
3. Sans sauter, positionnez vous en position ventrale.

### LE SAUT VENTRAL



1. Commencez par un saut chandelle.
2. Ensuite, mettez vous à quatre pattes et laissez vous tomber sur le tapis de saut en rejetant vos jambes vers le haut afin de pratiquer le saut ventral.
3. Poussez le tapis de saut à l'aide de vos bras pour revenir à la position debout.

### LA DEMI VRILLE



1. Commencez par un saut chandelle.
2. Ensuite, levez les bras au dessus de votre tête au moment où vous quittez le tapis de saut.
3. Regardez dans la direction vers laquelle vous souhaitez réaliser la vrille.
4. Orientez votre corps de manière à atterrir dans la direction opposée après un demi tour de 180 degrés.

## 8. SOINS ET ENTRETIEN

Ce trampoline a été conçu et fabriqué avec des matériaux de qualité et un haut niveau de technicité. S'il est bien entretenu, il peut garantir aux sauteurs des années d'exercices, de plaisir et d'amusement, tout en réduisant tout risque de blessure. Contrôlez et entretenez les pièces principales (cadre, système de suspension, tapis de saut et coussin de protection) au début de chaque saison et à intervalles réguliers également. Si ces contrôles ne sont pas effectués, le trampoline pourrait devenir dangereux. Veuillez suivre les consignes ci-dessous pour un entretien approprié.

Ce trampoline est conçu pour supporter un certain poids et pour un certain usage. Assurez-vous qu'une seule personne à la fois utilise le trampoline. Les sauteurs doivent soit porter des chaussettes ou être pieds nus lors de l'utilisation du trampoline. Veuillez noter que des chaussures de rue ou tennis NE DOIVENT PAS être portées lors de l'utilisation du trampoline. Pour éviter que le tapis ne se coupe ou qu'il ne s'endommage, ne laissez pas traîner d'animaux domestiques sur le tapis. En outre, les sauteurs doivent se débarrasser des objets tranchants avant d'utiliser le trampoline. Les objets pointus ou tranchants doivent être éloignés du tapis de saut du trampoline.

Conservez le manuel d'entretien. Toujours inspecter le trampoline avant chaque utilisation afin de s'assurer que toutes les pièces sont présentes et en bon état. Un certain nombre de conditions pourraient augmenter vos chances de vous blesser. Faites attention aux:

- Contrôlez tous les écrous et boulons afin de vous assurer qu'ils soient bien serrés et resserrez-les si besoin.
- Vérifiez que tous les joints à ressort (goujon) soient toujours intacts et ne puissent pas se débloquer pendant les sauts.
- Contrôlez tous les couvre-bords et les bords coupants et remplacez-les si besoin.
- Dans certains pays, pendant la période hivernale, les chutes de neige ainsi que les températures très basses peuvent endommager le trampoline. Il est recommandé de retirer la neige et de ranger le tapis de saut ainsi que l'enceinte à l'intérieur.
- Vérifiez que le tapis de saut et le coussin de protection soient exempts de défauts. REMARQUE: la lumière du soleil, la pluie, la neige ainsi que les températures extrêmes réduisent la solidité de ces pièces au fil du temps.
- Remplacez le filet après 2 ans d'utilisation ou lorsqu'il ne fonctionne plus correctement.
- Trous, fentes et perforations présents sur le tapis de saut.
- Tapis de trampoline affaissé.
- Coutures lâches ou toute autre forme d'usure sur le tapis de saut.
- Parties tordues ou cassées du châssis en acier.
- Ressorts cassés, rouillés ou manquants.
- Un bord de protection endommagé, manquant ou mal fixé.
- Bosses de toute sorte (en particulier les types pointus) sur le coussin, les ressorts ou sur le tapis.
- Assurez-vous que les bandes auto-agrippantes soient fermées correctement lors de l'utilisation du trampoline.

**Si vous retrouvez une des conditions précédentes, ou tout autre élément qui d'après vous pourrait causer préjudice à un utilisateur, le trampoline doit être démonté ou mis hors d'usage jusqu'à ce que le problème soit résolu conditions venteuses.**

### Conditions venteuses

En cas de vents soutenus, le trampoline pourrait se déplacer. Pour augmenter votre sécurité, nous vous recommandons d'ancrer le trampoline avec le Salta set d'ancrage officiel. En cas de vents violents, le trampoline devrait être mis à l'abri ou démonté.

### Déplacement du trampoline

Le trampoline ne peut être déplacé que par deux personnes ou plus. Pour tout type de mouvement, vous devez démonter le trampoline. tie downs should be used.

## 1. INTRODUKTION

Læs alle oplysningerne i denne vejledning omhyggeligt, før du tager trampolinen i brug.

På samme måde som med andre fysiske redskaber er der risiko for, at brugerne kan komme til skade. Overhold følgende sikkerhedsregler og -tips for at reducere risikoen for skader.

- Det anbefales at bruge handsker i forbindelse med montagen af trampolinen.
- Trampolinen må ikke anbringes på beton, asfalt eller andre hårde overflader.
- Forkert brug af trampolinen er farligt og kan medføre alvorlig personskade!
- Trampolinens fjedereffekt kan føre brugeren til uvante højder og bevægelser.
- Efterse altid trampolinen før brug, og vær især opmærksom på eventuel slitage af trampolindugen og løse eller manglende dele.
- Stærk vind og vindstød kan resultere i, at trampolinen flytter sig. Salta anbefaler, at trampolinen sikres ved hjælp af ankre eller sandsække og at sikkerhedsnettet og hoppedugen fjernes.
- Korrekt samling, pleje og vedligeholdelse af produktet samt sikkerhedstips, advarsler og korrekte hoppe- og springteknikker fremgår af denne vejledning. Det er vigtigt, at alle brugere og supervisorere læser vejledningen og er fortrolig med den. Det er vigtigt, at alle, der bruger trampolinen, kender deres egne begrænsninger mht. at udføre forskellige hop og spring på trampolinen.

### ADVARSEL

- ADVARSEL! Læs brugervejledningen før at du tager denne trampoline i brug.
- ADVARSEL! Ingen saltomortaler.
- ADVARSEL! Kun én bruger ad gangen. Risiko for sammenstød.
- ADVARSEL!

FIRST CLASS	STØRRELSE	MAKS. VÆGT
5371 / 5372 / 5941	251 cm / 305 cm / 487 cm	150 kg
5373 / 5374	366 cm / 427 cm	180 kg

- ADVARSEL! Luk altid for åbningen i sikkerhedsnettet, før der springes .
- ADVARSEL! Kun til privat brug.
- ADVARSEL! Kun til udendørs brug.
- ADVARSEL! Trampolinen skal monteres af en voksen i overensstemmelse med monteringsvejledningen og derefter kontrolleres før den tages i brug.
- ADVARSEL! Brug ikke sko på trampolinen, da dette vil forårsage stort slid på hoppedugen.
- ADVARSEL! Anvend ikke hoppedugen, når den er våd.
- ADVARSEL! Tøm lommer og hænder før du hopper på trampolinen.
- ADVARSEL! Hop altid på midten af hoppedugen.
- ADVARSEL! Spis ikke mens du hopper.
- ADVARSEL! Forlad ikke trampolinen i et spring.
- ADVARSEL! Anvend ikke trampolinen under hårde vindforhold og sørg for at sikre den.
- ADVARSEL! Begræns tiden under vedvarende brug (hold regelmæssige pauser).
- ADVARSEL! Opsyn af en voksen er påkrævet.
- ADVARSEL! Er ikke egnet til børn under 36 måneder. Risiko for kvælning. Indeholder små dele.
- Trampolinen må ikke graves ned i jorden.
- Nettet bør udskiftes hvert 2. år.
- Der må ikke foretages ændringer af trampolinen.
- Gem vedligeholdelsesvejledningen.
- Selvlåsende møtrikker må kun bruges til engangsinstallation.
- Forkert anvendelse og misbrug af denne trampolin kan forårsage alvorlige skader.

- Kontroller trampolinen før brug og erstat hver eneste slidt, defekt eller manglende del.
- Overhold alle sikkerhedskrav, der er vedlagt dette produkt.
- Er ikke egnet til børn under 36 måneder, på grund af børnenes manglende motoriske færdigheder.
- Holdes væk fra ild.
- Hæng, spark, skær og klatre ikke i sikkerhedsnettet.
- Undgå at have tøj på med træksnore, kroge, løkker eller noget andet der kan fanges i trampolinrammen eller fjedrene.
- Fastgør intet andet til trampolinrammen end det tilbehør, der er godkendt af producenten eller som er del af trampolinsystemet.
- Træd kun op og ned ad trampolinen igennem døren i sikkerhedsnettet eller via rammeåbningen, der er beregnet til dette formål.
- Spørg altid en doktor/læge, før der udføres nogen fysiske aktiviteter.

## 2. BRUGSVEJLEDNING FOR TRAMPOLINEN

Start med at gøre dig fortrolig med trampolinens fjedereffekt. Hold hovedet oprejst, og fokuser blikket på det yderste af trampolinen. Øv alle springene (de grundlæggende spring), indtil du behersker dem og kan kontrollere dem.

**Hvis du vil afbryde et spring, skal du blot bøje skarpt i knæene, før de rammer trampolindugen.** Brug denne teknik, mens du lærer de grundlæggende spring. Teknikken skal bruges, hver gang du mister balancen eller kontrollen over dit spring.

Lær de grundlæggende hop og kropsholdninger, før du forsøger dig med mere avancerede færdigheder. **Ved et kontrolleret spring sætter du fra og lander samme sted på måtten.** Hvis du fortsætter videre til det næste spring uden at have fuld kontrol over det forrige, har du større risiko for at komme til skade.

Undlad at hoppe for længe på trampolinen ad gangen. Risikoen for at komme til skade stiger når du bliver træt og uopmærksom. Tag en kort hoppetur og lad så andre komme til! Der må altid kun hoppe én person ad gangen på trampolinen.

Det anbefales at have T-shirt, shorts eller joggingbukser på, hertil gymnastiksko, tykke sokker eller bare tæer. Hvis du er nybegynder, kan det være en god ide at have en langærmet trøje og lange bukser på. Det forebygger hudafskrabbinger, indtil du har fået styr på teknikken og lært at lande igtigt. Der må ikke bruges sko på trampolinen, heller ikke tennisko, idet sko slider utroligt meget på springmåttens materiale.

Vær forsigtigt, når du stiger op på eller ned fra trampolinen for at undgå skader. Sådan kommer du sikkert op på trampolinen: Start med at TAGE FAT i stellet med hånden, hvorefter du enten træder eller hiver dig op på stellet, henover fjedrene og op på springmåtten. Du skal altid huske at tage fat i stellet med hænderne, når du stiger op på eller ned fra trampolinen. Lad være med at træde direkte op på eller hive fat i trampolinkanten. Når du skal ned fra trampolinen, gå du ud til siden og tager godt fat i stellet. Det giver den nødvendige støtte, så du kan klatre sikkert ned fra springmåtten til jorden. Mindre børn skal have hjælp til at komme op og ned fra trampolinen.

Undlad at hoppe vildt og ukontrolleret på trampolinen, da du i så fald har øget risiko for at komme til skade. Nøglen til sikre og sjove stunder på trampolinen er fuld kontrol over dine bevægelser samt evnen til at udføre de forskellige slags spring korrekt. I må aldrig forsøge at udkonkurrere hinanden i højdespring! Brug aldrig trampolinen alene uden opsyn.



### 3. ULYKKESKLASSIFIKATION

**Adgang til trampolinen:** Det er vigtigt, at du er meget forsigtig, når du klatrer op på trampolinen og ned fra den. DET ER IKKE TILLADT at klatre op på trampolinen ved at tage fat i kantpuden eller ved at træde på fjedrene eller ved at hoppe op på den fra en tilstødende genstand (f.eks. en terrasse, et tag eller en stige). Dette øger risikoen for skader! DET ER IKKE TILLADT at hoppe ned fra trampolinen, uanset hvad trampolinens underlag er lavet af. Mindre børn, som bruger trampolinen, har muligvis brug for hjælp til at komme op og ned fra trampolinen.

**Brug af alkohol og medicin:** DET ER IKKE TILLADT at indtage alkohol eller medicin under brugen af trampolinen! Indtagelse af alkohol eller medicin svækker din dømmekraft, reaktionstid og koordinationsevne og øger dermed risikoen for skader.

**Nedslag på fjederrammen:** Hop altid MIDT på trampolindugen. Det reducerer risikoen for skader ved nedslag på rammen eller fjedrene. Sørg altid for, at trampolinens kant er dækket af kantpuden. DET ER IKKE TILLADT at hoppe eller træde direkte på kantpuden, da den ikke er konstrueret til at kunne bære en persons vægt.

**Manglende kontrol:** PRØV IKKE vanskelige manøvrer eller andre manøvrer, før du mestrer den forudgående manøvre, eller hvis du er i gang med at lære at hoppe på en trampolin. Ellers er der større risiko for, at du mister kontrollen med dit spring og kommer til skade, f.eks. hvis du lander på rammen eller fjedrene eller hopper helt ned af trampolinen. Et kontrolleret spring er et spring, hvor nedslaget er på det samme sted som afsættet. Hvis du mister kontrollen, mens du hopper på trampolinen, skal du bøje skarpt i knæene, når du lander, så du kan genvinde kontrollen og afbryde springet.

**Saltomortaler (koldbøtter):** DER MÅ ALDRIG laves saltomortaler eller koldbøtter (hverken forlæns eller baglæns) på denne trampolin. Hvis du laver en fejl, når du forsøger at slå en saltomortale eller koldbøtte, er der risiko for, at du lander på hovedet eller nakken. Det øger risikoen for nakke- eller rygsår, som i værste fald kan medføre lammelse eller død.

**Fremmedlegemer:** Trampolinen MÅ IKKE anvendes hvis der er kæledyr/dyr, mennesker eller andre genstande under eller på trampolinen. Dette øger risikoen for ulykker. Du MÅ IKKE holde noget i hånden når du hopper. Du MÅ IKKE anbringe genstande på trampolinen når den er i brug. Hold øje med luftrummet over trampolinen når du bruger den. Grene, kabler eller andre genstande oven over trampolinen kan føre til ulykker.

**Dårlig vedligeholdelse af trampolin:** En trampolin i dårlig stand øger risikoen for kvæstelser. Trampolinen skal kontrolleres inden brug for bøjede stålrør, revnet dug, løse eller ødelagte fjedre og den generelle stabilitet af trampolinen.

**Vejrbetingelser:** Hold øje med vejret når du bruger trampolinen. Lad være med at bruge trampolinen hvis den er våd, da du kan glide og komme til skade. Hvis det blæser meget kan du miste kontrollen.

**Begræns adgangen til trampolinen:** Når trampolinen ikke er i brug skal stigen opbevares et sikkert sted. Det forhindrer børn i at lege på trampolinen uden opsyn.

#### TIPS TIL AT REDUCERE RISIKOEN FOR ULYKKER

##### Brugerens rolle i at forebygge ulykker

Det vigtigste er, at brugeren er i stand til at kontrollere sine spring. Kast dig IKKE ud i vanskeligere og mere komplicerede manøvrer, før du mestrer de grundlæggende springteknikker.

Springundervisning er også meget vigtigt af hensyn til sikkerheden. Det er vigtigt, at du læser, forstår og er fortrolig med alle sikkerhedsforskrifter og advarsler, før du bruger trampolinen. Et kontrolleret spring er et spring, hvor nedslaget er på det samme sted som afsættet. Kontakt en uddannet trampolininstruktør for at få flere sikkerhedstips og -anvisninger.

##### Supervisorens rolle i at forebygge ulykker

Det er vigtigt, at supervisoren forstår og håndhæver alle sikkerhedsregler og -retningslinjer. Supervisoren er ansvarlig for at rådgive og vejlede alle brugere af trampolinen. Hvis der ikke er nogen til at føre opsyn med trampolinen, kan

trampolinen opbevares på et sikkert sted i adskilt tilstand for at forhindre uautoriseret brug eller tildækkes med en kraftig presenning, som kan aflåses eller fastgøres med kæder. Supervisoren er også ansvarlig for at sikre, at sikkerhedsmærkaten er anbragt på trampolinen, og at brugerne informeres om advarslerne for sikker brug.

## 4. TRAMPOLIN SIKKERHEDSINSTRUKTIONER

### Brugere

- Brug ikke trampolinen, hvis du har indtaget alkohol eller medicin.
- Fjern alle hårde skarpe genstande, før du bruger trampolinen.
- Du skal klatre forsigtigt og kontrolleret op og ned fra trampolinen. Det er ikke tilladt at hoppe op på eller ned fra trampolinen, og trampolinen må aldrig bruges som springbræt til andre genstande.
- Det er vigtigt, at du mestrer de grundlæggende spring, før du forsøger dig med vanskeligere springteknikker. Se afsnittet om grundlæggende færdigheder for at få mere at vide om de grundlæggende springteknikker.
- Hvis du vil afbryde et spring, skal du bøje i knæene, når du lander på trampolindugen med fødderne.
- Hop altid kontrolleret på trampolinen. Et kontrolleret spring er et spring, hvor nedslaget er på det samme sted som afsættet. Forsøg at afbryde springet, hvis du føler, du er ved at miste kontrollen.
- Hop eller spring aldrig i lang tid ad gangen eller meget højt mange gange i træk.
- Hold blikket på trampolindugen for at bevare kontrollen. Ellers er der risiko for, at du mister balancen eller kontrollen.
- Trampolinen må aldrig bruges af mere end én person ad gangen.
- Enhver brug af trampolinen skal ske under opsyn.

### Supervisorer

Sørg for, at du er fortrolig med de grundlæggende hop og sikkerhedsregler. Forebyg og reducer risikoen for personskade ved at håndhæve alle sikkerhedsregler og sikre, at nye brugere er fortrolige med de grundlæggende spring, før de prøver vanskeligere og mere avancerede hop.

- Al brug af trampolinen skal ske under opsyn uafhængigt af brugerens færdighedsniveau eller alder.
- Brug aldrig trampolinen, hvis den er våd, beskadiget, snavset eller nedslidt. Trampolinen skal efterses, før der hoppes på den.
- Sørg for, at der ikke er genstande, der kan genere brugeren, i nærheden af trampolinen.
- Vær opmærksom på området over, under og omkring trampolinen.
- Beskyt trampolinen mod uovervåget og uautoriseret brug, når den ikke er i brug.

## 5. OPSTILLING AF TRAMPOLINEN

Der skal være god plads omkring trampolinen. Mindst 7,3 meter oven over og 2 meter rundt om trampolinen.

Der må ikke være farlige genstande i nærheden af trampolinen, herunder grene, andre fritidsredskaber (f.eks. gynger eller swimmingpools), elektriske ledninger, mure, hegn osv.

Overhold følgende sikkerhedsregler, når du skal vælge opstillingsstedet til trampolinen:

- Opstil trampolinen på en plan overflade.
- Sørg for, at området er oplyst.
- Sørg for, der ikke er hindringer under trampolinen.

Manglende overholdelse af disse retningslinjer øger risikoen for personskade.

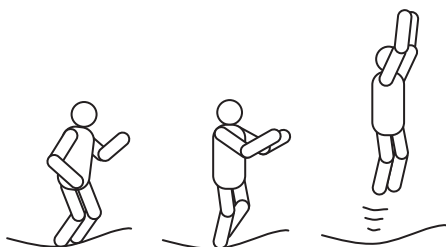
## 6. GARANTI

Se venligst vores website for garantioplysninger: [www.salta.com](http://www.salta.com). Garantikrav skal ledsages af den oprindelige faktura. Garantien gælder kun materiale- og konstruktionsfejl på produktet og komponenterne. Garantien bortfalder hvis:

- produktet bruges på en forkert, uagtsom eller formålsstridig måde.
- produktet ikke er monteret i henhold til vejledningen og ikke vedligeholdes korrekt.
- produktet graves ned i jorden.
- defekterne er forårsaget af ydre påvirkninger (f.eks. ganske normal brugsslitage eller vejrpåvirkninger som f.eks. afblegning gennem UV-stråler).
- der udføres ændringer på trampolinen.
- produktet bruges på offentlige steder eller som en del af et fritidsanlæg.
- defekte dele ikke er blevet udskiftet med originale Salta tilbehørsdele.

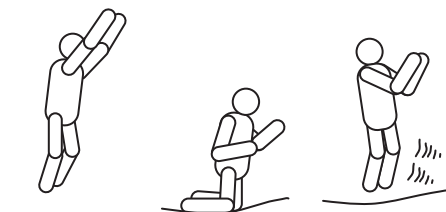
## 7. GRUNDLÆGGENDE TRAMPOLINSPRING

### GRUNDSPRING



1. Start fra stående stilling med fødderne i en skulder breddes afstand, hovedet opad og blikket rettet mod trampolindugen.
2. Sving armene frem og opad i en cirkelbevægelse.
3. Saml fødderne i luften, og stræk tæerne nedad.
4. Hold fødderne adskilt i en skulderbreddes afstand, når du lander på trampolindugen.

### FALD TIL KNÆSTILLING



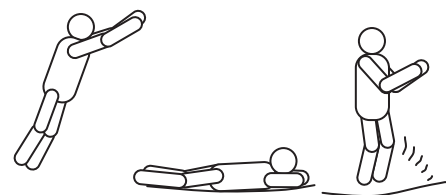
1. Start med et lavt grundspring.
2. Land på knæene med ryggen strakt og kroppen lige, og brug armene til at holde balancen.
3. Spring tilbage til grundstilling ved at svinge armene opad.

### FALD TIL SIDDESTILLING



1. Land i helt siddende stilling.
2. Anbring hænderne på trampolindugen ud for hofterne.
3. Skub med hænderne for at vende tilbage til stående stilling.

### FRONTFALD



1. Start i frontstilling.
2. Land på maven (med ansigtet nedad), og stræk arme og hænder fremad på trampolindugen.
3. Sæt af på trampolindugen med armene for at vende tilbage til stående stilling.

### 180 GRADERS SPRING



1. Start i frontstilling.
2. Sæt af med venstre eller højre hånd eller arm (afhængig af, hvilken retning du vil dreje).
3. Hold hoved og skuldre i samme retning og ryggen parallel med dugen og hovedet opad.
4. Land i mavestilling, og vend tilbage til stående stilling ved at skubbe opad med hænder og arme.

## 8. PLEJE OG VEDLIGEHOLDELSE

Trampolinen er designet med omhu og fremstillet i kvalitetsmaterialer. Korrekt pleje og vedligeholdelse forlænger trampolinens levetid og reducerer risikoen for personskade. Kontroller trampolinens primære dele (stel, affjedringssystem, måtte og skumbeskyttelse) både løbende og i starten af hver sæson. Følg op med den nødvendige pleje og vedligeholdelse. Hvis disse kontroleftersyn ikke gennemføres, kan trampolinen komme til at udgøre en sikkerhedsrisiko. Følg disse retningslinjer:

Trampolinen er designet til en bestemt vægt og anvendelse. Trampolinen må kun bruges af én person ad gangen. Vær barfodet eller brug strømper, når du bruger trampolinen. Brug IKKE sko, sportssko eller andet fodtøj! Hold husdyr væk fra trampolinen for at beskytte trampolindugen mod revner eller skader. Fjern skarpe eller hårde genstande fra lommerne, inden du bruger trampolinen. Hold altid skarpe eller spidse genstande væk fra måtten.

Behold disse instruktioner til senere brug. Efterse altid trampolinen før brug, og vær især opmærksom på slidte, beskadigede eller manglende dele. Forskellige forhold øger risikoen for, at brugeren kan komme til skade. Vær især opmærksom på:

- Tjek at alle møtrikker og bolte sidder stramt og sikkert. Stram efter ved behov.
- Tjek at alle fjederbelastede led (pit pins) er intakte og ikke kan komme til at forskubbe sig under brug af trampolinen.
- Tjek at alle skarpe hjørner er forsvarligt dækket til med skumbeskyttelse, udskift om nødvendigt.
- I lande med hårde vintre kan store snemængder og meget lave temperaturer ødelægge trampolinen. Det anbefales at skovle sneen væk og opbevare måtten og nettet indenfor.
- Tjek at måtten og skumbeskyttelsen ikke har taget skade; BEMÆRK at sol, regn, sne og ekstreme temperaturer svækker disse dele over tid.
- Udskift nettet efter 2 års brug eller når det ikke længere fungerer korrekt.
- Huller, revner eller rifter i måtten.
- At måtten ikke "hænger" midt på.
- Løse syninger og mørning af måtten.
- Bøjede eller brækkede steldele, f.eks. ben.
- Manglende, knækkede eller beskadigede fjedre.
- Manglende, beskadiget eller ikke-fastgjort kantpude.
- Dele på rammen, fjedre eller fjedermåtte, der stikker ud.
- Sørg for at alle lukninger med velcrobånd er lukket korrekt under brug af trampolinen.

**!** Hvis der er tegn på skade eller forhold, der kan skade brugeren, skal trampolinen adskilles eller afspærres, så den før fejlen er udbedret.

### Blæst

I kraftig blæst kan trampolinen blive blæst omkring. For at øge sikkerheden anbefaler vi at bruge det officielle Salta Stormankre Set. Hvis der er udsigt til kraftig blæst, skal du flytte trampolin en til et område med læ eller adskilles.

### Flytning af trampolinen

Der skal bruges to personer til at flytte trampolinen. Flyt trampolinen ved at løfte den en anelse fra jorden og holde den vandret. Hvis trampolinen skal flyttes på anden måde, skal den adskilles.

## 1. JOHDANTO

Ennen kuin aloitat trampoliinin käytön, lue huolellisesti kaikki tässä käyttöohjeessa esitetyt tiedot. Kuten muihinkin liikuntamuotoihin, myös trampoliinin käyttöön liittyy loukkaantumiseriski. Loukkaantumiseriskin vähentämiseksi noudata annettuja turvallisuusohjeita ja neuvoja huolellisesti.

- Käytä asennuksen yhteydessä suojakäsineitä.
- Älä sijoita trampoliinia sementille, asfaltille tai muulle kovalle alustalle.
- Ohjeiden vastainen käyttö on vaarallista ja voi aiheuttaa vakavan loukkaantumisen!
- Trampoliini on jousitettu laite, joka ponnauttaa käyttäjän korkealle ja mahdollistaa erilaiset vartalonliikkeet.
- Tarkasta ennen jokaista käyttökertaa, ettei matto ole kulunut rikki ja ettei osia ole löystynyt tai kadonnut.
- Kova tuuli ja äkilliset tuulenpuuskat voivat kuljettaa trampoliinia pois käyttöpaikastaan. Salta suosittelee, että tällaisessa tilanteessa trampoliini kiinnitetään tukevasti maahan vaarnoilla tai hiekkasäkeillä ja siitä poistetaan suojaverkko ja hyppymatto.
- Tässä käyttöohjeessa esitetään tuotteen oikea kokoaminen, hoito ja kunnossapito sekä annetaan turvallisuusneuvoja, varoituksia ja oikeaa hyppytekniikkaa koskevia ohjeita. Kaikkien käyttäjien ja käytön valvojen tulee perehtyä näihin ohjeisiin. Jokaisen, joka aikoo käyttää trampoliinia, on ymmärrettävä omat rajoituksensa trampoliinilla suoritettavien hyppyjen ja liikkeiden suhteen.

### VAROITUS

- VAROITUS! Lue ohjeet ennen trampoliinin käyttöä.
- VAROITUS! Älä tee voltteja.
- VAROITUS! Vain yksi käyttäjä kerrallaan. Törmäysvaara.
- VAROITUS!

FIRST CLASS	KOKO	KÄYTTÄJÄN ENIMMÄISPAINO
5371 / 5372 / 5941	251 cm / 305 cm / 487 cm	150 kg
5373 / 5374	366 cm / 427 cm	180 kg

- VAROITUS! Sulje aina suojaverkon kulkuaukko ennen hyppimisen aloittamista.
- VAROITUS! Vain kotikäyttöön.
- VAROITUS! Vain ulkokäyttöön.
- VAROITUS! Älä käytä trampoliinilla kenkiä, koska ne kuluttavat mattomateriaalia.
- VAROITUS! Älä käytä trampoliinia, jos hyppymaton pinta on märkä.
- VAROITUS! Aikuisen on koottava trampoliini kokoamisohjeiden mukaisesti ja tarkastettava se ennen ensimmäistä käyttökertaa.
- VAROITUS! Tyhjennä taskut ja laske esineet kädestä ennen hyppimisen aloittamista.
- VAROITUS! Hypi aina hyppymaton keskellä.
- VAROITUS! Älä syö hyppimisen aikana.
- VAROITUS! Älä poistu trampoliinilta hyppäämällä.
- VAROITUS! Älä käytä trampoliinia kovalla tuulella ja varmista trampoliinin kiinnitys.
- VAROITUS! Älä hypi pitkään yhtäjaksoisesti (pidä välillä taukoja).
- VAROITUS! Käytettävä ainoastaan aikuisen valvonnassa.
- VAROITUS! Ei sovi alle 36 kuukauden ikäisille lapsille. Tukehtumisvaara. Sisältää pieniä osia.
- Trampoliinia ei ole tarkoitettu maahan kaivettavaksi.
- Suojaverkko tulee vaihtaa 2 vuoden välein.
- Trampoliiniin ei saa tehdä muutoksia.
- Säilytä käyttö- ja hoito-ohjeet.
- Itselukkiutuvia muttereita saa käyttää vain yhdessä kokoamiskerrassa.
- Ohjeiden vastainen käyttö voi aiheuttaa vakavan loukkaantumisen.

- Tarkasta tuote ennen jokaista käyttökertaa ja vaihda kuluneet tai vialliset osat ja korvaa puuttuvat osat.
- Huomioi kaikki tuotteen mukana toimitetut turvallisuusvaatimukset.
- Ei sovi alle 36 kuukauden ikäisille lapsille, koska heillä ei ole vielä tuotteen käyttöön tarvittavia kykyjä.
- Pidä etäällä tulesta.
- Älä riipu suojaverkossa, potki suojaverkkoa, leikkaa suojaverkkoa tai kiipeä suojaverkkoa pitkin.
- Älä käytä vaatteita, joissa on vetonauhoja, koukkuja, silmukoita tai muita kohtia, jotka voisivat tarttua kiinni laitteeseen.
- Älä liitä laitteeseen mitään muita esineitä kuin valmistajan hyväksymiä lisävarusteita tai suojausjärjestelmän osia.
- Nouse trampoliinille ja poistu sen päältä vain sitä varten tarkoitettusta kulkuaukosta.
- Keskustele aina lääkärin kanssa ennen minkäänlaisen fyysisen aktiviteetin aloittamista.

## 2. TRAMPOLIININ KÄYTTÖ

Totuttele aluksi trampoliinin tuntumaan ja ponnahdukseen. Keskity kehon asentojen hallintaan ja harjoittele jokaista hyppyä (perushyppyjä), kunnes osaat tehdä jokaisen liikesarjan helposti ja hallitusti.

### **Kun haluat pysäyttää pommimisen, koukista polvia nopeasti juuri ennen kuin jalkasi osuvat trampoliinin mattoon.**

Harjoittele tätä tekniikkaa, kun opettelet perushyppyjä. Käytä pysäytystekniikkaa aina, kun menetät tasapainon tai hypyn hallinnan.

Opettele aina ensin yksinkertaisin hyppy ja siirry vaikeampiin hyppyihin vasta, kun pystyt tekemään tämän hypyn joka kerta hallitusti. **Hyppy on hallittu, kun hypyn aloituskohta ja laskeutumiskohta ovat samassa kohdassa mattoa.** Jos siirryt seuraavaan hyppyyn ennen kuin osaat tehdä edellisen hypyn kunnolla, loukkaantumisriski kasvaa.

Älä hypi trampoliinilla pitkiä aikoja kerrallaan, koska väsymys voi lisätä loukkaantumisvaaraa. Hypi vain lyhyen aikaa kerrallaan ja päästä sitten muut matolle. Trampoliinilla ei koskaan saa hyppiä useampia kuin yksi henkilö kerrallaan.

Hyppijöillä tulisi olla yllään t-paita, shortsit tai verryttelyhousut. Jalassa tulisi käyttää joko voimistelutossuja tai tukevia sukkia tai hyppiä kokonaan paljain jaloin. Jos olet aloittelija, sinun on hyvä pitää pitkähihaista paitaa ja pitkälahkeisia housuja, jotka suojaavat naarmuilta ja hiertymiltä, kunnes hallitset oikeat laskeutumisasennot. Älä käytä jäykkäpohjaisia kenkiä, kuten tennistossuja, koska ne kuluttavat trampoliinin maton materiaalia.

Loukkaantumisten välttämiseksi trampoliinille tulee nousta ja sen päältä tulee poistua ohjeiden mukaisesti. Nouse trampoliinille näin: ASETA kätesi kehikon päälle ja joko astu tai kierähdä kehikon päälle, jousten yli ja hyppymaton päälle. On tärkeää, että asetat aina kätesi kehikon päälle, kun nouse trampoliinille tai poistut sen päältä. Älä astu suoraan kehikon pehmusteelle äläkä vedä kehikon pehmustetta käsilläsi. Poistu trampoliinilta näin: siirry trampoliinin reunaan, aseta kätesi kehikon päälle tueksi ja astu hyppymatolta maahan. Pieniä lapsia tulee auttaa trampoliinin päälle ja pois sen päältä.

Älä hypi trampoliinilla holtittomasti, sillä se lisää loukkaantumisvaaraa. Trampoliinin turvallisen ja mukavan käytön kannalta on hyvin tärkeää hallita erilaiset hyppy kunnolla. Älä koskaan yritä ponnistaa korkeammalle kuin muut! Älä koskaan käytä trampoliinia ilman valvontaa.

### 3. ONNETTOMUUSRISKIEN LUOKITTELU

**Trampoliinille nouseminen ja sen päältä poistuminen:** Ole hyvin varovainen trampoliinille noustessasi ja sen päältä poistuessasi. ÄLÄ nouse trampoliinille vetämällä kehikon pehmusteesta, astumalla jousien päälle tai hyppäämällä hyppymatolle jonkin esineen päältä (esim. katolta tai tikkailta). Tämä lisää loukkaantumisriskiä! ÄLÄ poistu trampoliinin päältä hyppäämällä suoraan maahan, maa-alustan tyypistä riippumatta. Pienet lapset saattavat tarvita apua trampoliinille nousemisessa ja trampoliinin päältä poistumisessa.

**Alkoholin tai huumaavien aineiden käyttö:** ÄLÄ nauti alkoholia tai huumaavia aineita, kun käytät trampoliinia! Se lisää loukkaantumisriskiä, koska alkoholi ja huumaavat aineet heikentävät arviointikykyä, reaktioaikaa ja fyysistä koordinaatiota.

**Kehikkoon tai jousiin osuminen:** PYSY hyppymaton keskellä, kun hypit trampoliinilla. Tämä vähentää loukkaantumisriskiä, joka liittyy kehikon tai jousien päälle laskeutumiseen. Pidä trampoliinin kehikkoa suojaa va pehmuste aina paikallaan. ÄLÄ hyppää tai astu suoraan kehikon pehmusteen päälle, koska sitä ei ole tarkoitettu kestäämään ihmisen painoa

**Hallinnan menettäminen:** ÄLÄ yritä uusia tai vaikeampia liikkeitä ennen kuin hallitset edellisen liikkeen tai jos vasta opettelet perushyppyjä. Liian vaikeiden hyppöjen yrittäminen lisää loukkaantumisriskiä, joka liittyy hypyn hallinnan menettämiseen ja kehikon tai jousien päälle putoamiseen tai trampoliinilta pois putoamiseen. Hyppy on hallittu, kun laskeudut samaan kohtaan, mistä hyppäsit ilmaan. Jos menetät liikkeen hallinnan trampoliinilla hyppiessäsi, koukista nopeasti polvia alas tullessasi. Sillä tavalla saat liikkeen taas hallintaan ja pysäytät pomppimisen.

**Voltit:** ÄLÄ tee trampoliinilla minkäänlaisia voltteja (eteenpäin tai taaksepäin). Jos yrität volttaa ja teet virheen, saatat pudota päällesi tai niskallesi. Tämä lisää niskan tai selän murtuman riskiä, ja seurauksena voi olla kuolema tai halvaantuminen.

**Vieraat esineet:** ÄLÄ käytä trampoliinia, jos trampoliinin alla tai sisällä on lemmikkieläimiä, ihmisiä tai esineitä. Tämä lisää loukkaantumisriskiä. ÄLÄ pidä esineitä kädessä ÄLÄKÄ aseta esineitä trampoliinille, kun joku parhaillaan hyppii sillä. Ota huomioon trampoliinin yläpuolella olevat esineet trampoliinilla hyppiessäsi. Puun oksat, johdot tai muut trampoliinin yläpuolella olevat esineet lisäävät loukkaantumisriskiä.

**Trampoliinin huono ylläpito:** Huonossa kunnossa oleva trampoliini lisää loukkaantumisriskiäsi. Tarkista trampoliini aina ennen sen käyttöä varmistaaksesi, että teräspuut eivät ole taipuneet, matto ei ole repeytynyt, jouset eivät ole irti tai rikkoutuneet sekä trampoliinin yleinen vakaus.

**Sääolosuhteet:** Ota sääolosuhteet huomioon trampoliinia käyttäessäsi. Älä käytä trampoliinia, jos hyppy matto on märkä, sillä hyppijä saattaa liukastua ja loukkaantua. Tuulisella säällä hyppijä voi menettää liikkeen hallinnan.

**Pääsyn rajoittaminen:** Kun trampoliini ei ole käytössä, säilytä nousutikkaita turvallisessa paikassa, jotta lapset eivät pääse leikkimään trampoliinilla ilman valvontaa.

#### NEUVOJA ONNETTOMUUSVAARAN VÄHENTÄMISEKSI

##### Hyppijän osuus onnettomuuksien ehkäisemisessä

Tärkeintä on, että hallitset hypyt. ÄLÄ siirry vaikeampiin liikkeisiin, ennen kuin hallitset perushypyn hyvin. Myös opastus on ensiarvoisen tärkeää turvallisuuden kannalta. Varmista ennen trampoliinin käyttöä, että olet lukenut ja ymmärtänyt kaikki turvallisuusohjeet ja varoitukset ja noudatat niitä. Hyppy on hallittu, kun laskeudut samaan kohtaan, mistä hyppäsit ilmaan. Jos tarvitset lisää turvallisuusneuvoja ja -ohjeita, ota yhteyttä pätevään liikuntaohjaajaan.



### Valvojan osuus onnettomuuksien ehkäisemisessä

Valvojan tulee ymmärtää kaikki turvallisuussäännöt ja -ohjeet ja valvoa niiden noudattamista. Valvojan velvollisuus on antaa asiantuntevia neuvoja ja ohjeita kaikille trampoliinia käyttäville. Jos valvontaa ei ole tai se on puutteellista, trampoliini voidaan siirtää turvalliseen säilytyspaikkaan, purkaa luvattoman käytön estämiseksi tai peittää tukevalla suojapeitteellä, jonka voi lukita paikalleen lukolla tai ketjulla. Valvojan velvollisuutena on myös varmistaa, että turvallisuusohjekyltti on kiinnitetty trampoliiniin ja että hyppijät ovat tietoisia kyseisistä varoituksista ja ohjeista.

## 4. TRAMPOLIININ TURVALLISUUSOHJEET

### Hyppijät

- Älä käytä trampoliinia, jos olet nauttinut alkoholia tai huumaavia aineita.
- Poista kaikki ylläsi olevat kovat tai terävät esineet ennen trampoliinin käyttöä.
- Nouse trampoliinille ja poistu sen päältä hallitusti ja varovaisesti. Älä koskaan hyppää suoraan trampoliinin päälle tai pois sen päältä, äläkä koskaan hyppää trampoliinilta suoraan toisen esineen päälle tai sisään.
- Opettele perushyppy ja opi hallitsemaan jokainen hyppytyyppi ennen kuin siirryt vaikeampiin hyppyihin. Lue perusliikkeitä koskevat ohjeet kohdasta Perushyppy trampoliinilla.
- Pysäytä pomppimisliike taivuttamalla polviasia samalla kun laskeudut matolle.
- Säilytä liikkeiden hallinta aina kun hypit trampoliinilla. Hyppy on hallittu, kun laskeudut samaan kohtaan, mistä hyppäsit ilmaan. Jos liikkeesi tuntuvat hallitsemattomilta, yritä pysäyttää pomppimisliike.
- Älä hypi pitkiä aikoja kerrallaan äläkä hypi liian korkealle.
- Pidä katse kohdistettuna mattoon, jotta säilytät liikkeen hallinnan. Muuten saatat menettää tasapainon tai liikkeen hallinnan.
- Trampoliinilla ei koskaan saa olla kerrallaan enempää kuin yksi henkilö.
- Hyppimistä seuraamassa on aina oltava valvoja.

### Valvojat

Perehdy perushyppyihin ja turvallisuussääntöihin. Varmista loukkaantumiskärsien vähentämiseksi, että kaikkia turvallisuussääntöjä noudatetaan ja että uudet käyttäjät opettelevat perushyppyä ennen kuin he yrittävät vaikeampia hyppyjä.

- Kaikki hyppijät tarvitsevat valvontaa hyppijän taitotasosta ja iästä riippumatta.
- Älä hypi trampoliinilla, jos se on märkä, vahingoittunut, likainen tai liian kulunut. Trampoliinin kunto tulee tarkistaa aina ennen käyttöä.
- Poista trampoliinin läheisyydestä kaikki esineet, jotka saattaisivat haitata hyppijöitä.
- Huomioi esineet, jotka ovat trampoliinin yläpuolella, alla tai ympärillä.
- Valvomattoman ja luvattoman käytön estämiseksi trampoliini tulee suojata siksi ajaksi, kun sitä ei käytetä.

## 5. TRAMPOLIININ SIIJOITTAMINEN

Trampoliinin yläpuolella on oltava vapaata tilaa vähintään 7,3 metriä ja trampoliinin ympärillä on oltava vapaata tilaa vähintään 2 metriä. Varmista, että trampoliini on vaakasuunnassa riittävän etäällä puiden oksista, muista liikuntakohteista (esim. keinut, uima-altaat), sähköjohdoista, seinistä, aidoista ja muista vaarallisista esineistä.

Kun valitset trampoliinille paikkaa, ota huomioon seuraavat käyttöturvallisuuteen liittyvät ohjeet:

- Sijoituspaikan tulee olla vaakasuora ja tasainen.
- Alueen tulee olla riittävästi valaistua.
- Trampoliinin alla ei saa olla esteitä.

Näiden ohjeiden laiminlyöminen lisää loukkaantumisvaaraa.

## 6. TAKUU

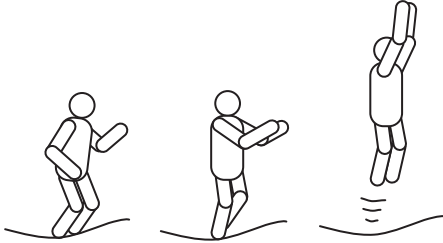
Löydät tietoa takuusta verkkosivuiltamme [www.salta.com](http://www.salta.com). Takuuvaadetta varten on esitettävä alkuperäinen lasku.

Takuu kattaa ainoastaan materiaali- ja valmistusviat tuotteessa tai sen osissa. Takuu raukeaa, jos:

- Tuotetta on käytetty väärin, huolimattomasti tai epäasianmukaisesti.
- Tuotetta ei ole koottu ohjeiden mukaisesti.
- Tuote on kaivettu maahan.
- Vika johtuu ulkoisista vaikutuksista (esim. sään vaikutukset, kuten normaali rapistuminen uv-säteilyn seurauksena tai normaali kuluminen).
- Trampoliiniin on tehty muutoksia.
- Tuotetta on käytetty julkisilla tai vapaaajan markkinoilla.
- Viallisia osia on korvattu muilla kuin alkuperäisillä Salta-varaosilla.

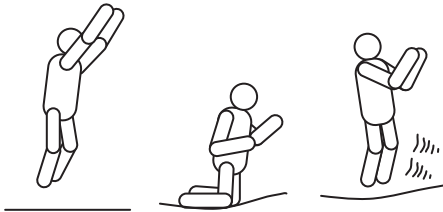
## 7. PERUSHYPYT TRAMPOLIINILLA

### PERUSHYPPY



1. Aloita seisoma-asennosta, jalat hartianleveydissä haara-asennossa, pää pystyssä ja katse kohti mattoa.
2. Heilauta käsivarsia eteen, ylöspäin ja ympäri.
3. Vie jalat yhteen ilmassa ja osoita varpailla alaspäin.
4. Laskeudu matolle jalat hartianleveydissä haara-asennossa.

### POLVIHYPPY



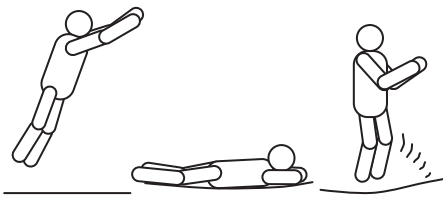
1. Aloita matalalla perushyppyllä.
2. Laskeudu polvillesi selkä suorana, vartalo pystyasennossa ja käytä käsivarsia apuna tasapainon säilyttämisessä.
3. Pomppaa takaisin perushyppyasentoon heilauttamalla käsivarsia ylöspäin.

### ISTUMAHYPPY



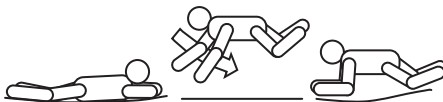
1. Laskeudu matolle istuma-asentoon.
2. Vie kädet matolle lantion sivuille.
3. Työnnä itsesi käsillä takaisin pystyyn.

### HYPPY ETEENPÄIN



1. Aloita hyppäämällä eteenpäin kallistuvassa asennossa.
2. Laskeudu vatsallesi ja pidä kädet ja käsivarret ojennettuina eteenpäin matolla.
3. Työnnä itsesi käsillä takaisin seisoma-asentoon.

### 180 ASTEEN KÄÄNNÖS



1. Aloita hyppäämällä eteenpäin kallistuvassa asennossa.
2. Työnnä itsesi irti matosta oikealla tai vasemmalla kädellä (sen mukaan, kumpaan suuntaan haluat kääntyä).
3. Pidä pää ja hartiat samansuuntaisina, selkä maton suun taivana ja pää ylhäällä.
4. Laskeudu vatsallesi ja työnnä itsesi käsillä takaisin seisoma-asentoon.

## 8. HOITO- JA KUNNOSSAPITO-OHJEET

Tämä trampoliini on suunniteltu huolellisesti ja valmistettu ammattitaitoisesti ja laadukkaista materiaaleista. Jos tuotetta hoidetaan asianmukaisesti, se tarjoaa käyttäjilleen iloa ja huvia vuosien ajan. Lisäksi asianmukainen hoito vähentää loukkaantumisriskiä. Tarkasta perusosat (kehikko, jousijärjestelmä, suojaus, matto ja pehmuste) jokaisen käyttökauden alussa sekä säännöllisin välein, ja varmista niiden hyvä kunto. Jos näitä tarkastuksia ei suoriteta, trampoliinin käyttö voi olla vaarallista. Noudata seuraavia ohjeita:

Tämä trampoliini on suunniteltu kestäväksi tiettyä painoa ja tiettyä käyttöä. Varmista, että trampoliinia käyttää vain yksi henkilö kerrallaan. Hyppijöiden tulee käyttää joko sukkaa tai voimistelutossuja tai olla paljain jaloin. Trampoliinilla EI SAA käyttää kävelykenkiä tai tennistossuja. Älä päästä lemmikkieläimiä matolle, jotta mattoon ei tulisi viiltoja tai muita vahinkoja. Hyppijöillä ei saa olla yllään tai mukanaan teräviä esineitä. Trampoliinin matolle ei saa koskaan asettaa mitään teräviä esineitä.

Säilytä tämä käyttöohje tulevan tarpeen varalle. Tarkasta ennen jokaista käyttökertaa, ettei se ole kulunut rikki ja ettei osia ole löystynyt tai kadonnut. Huomioi seuraavat tärkeät ohjeet loukkaantumisriskin vähentämiseksi:

- Tarkasta kaikki mutterit ja pultit ja kiristä ne tarvittaessa.
- Tarkasta, että jousiliitokset ovat kunnolla kiinni ja että ne eivät pääse siirtymään hyppimisen aikana.
- Tarkasta suojukset ja terävät reunat ja vaihda tarvittaessa.
- Tietyissä maissa lumi ja erittäin alhaiset lämpötilat voivat vahingoittaa trampoliinia talvella. Suosittelemme, että poistat lumen ja säilytät mattoa ja suojausta sisällä.
- Tarkasta, että matto ja pehmuste ovat moitteettomassa kunnossa. HUOMAA: Auringonvalo, sade, lumi ja äärimmäiset lämpötilat heikentävät näiden osien kestävyyttä ajan mittaan.
- Vaihda suojavaikko 2 käyttövuoden jälkeen tai kun se ei enää toimi kuten kuuluu.
- Reiät tai repeämät trampoliinin matossa.
- Maton roikkuminen notkolla.
- Maton ompeleiden purkautuminen tai rikkoutuminen.
- Rungon osien, esim. jalkojen, taipuminen tai rikkoontuminen.
- Rikkinäiset, puuttuvat tai vahingoittuneet jouset.
- Vahingoittunut, puuttuva tai huonosti kiinnitetty kehikon pehmuste.
- Rungon, jousien tai maton osat, jotka pistävät esiin.
- Varmista, että kiinnityshaat ja -silmukat ovat hyvin kiinni trampoliinin käytön aikana.

**!** Jos havaitset jonkin edellä mainituista vioista tai jotain muuta, joka voisimielestäsi aiheuttaa käyttäjille vahinkoa, trampoliini tulee purkaa ja poistaa käytöstä, kunnes vika tai viat on korjattu.

### Tuulinen sää

Kovalla tuulella trampoliini voi kaatua tai siirtyä paikoiltaan. Suosittelemme Salta Fix -sarjan käyttöä turvallisuuden parantamiseksi. Jos odotettavissa on kovaa tuulta, trampoliini on siirrettävä suojaan tai purettava.

### Liikkuva trampoliini

Jos haluat liikkua trampoliinilla, on käytettävä kahta henkilöä. Kun liikut, nosta trampoliini hieman maasta ja pidä se vaakasuorassa maahan. Kaikista tyypeistä tai muista liikkeistä on purettava trampoliini.

## 1. INTRODUKSJON

Før du begynner å bruke denne trampolinen, må du lese all informasjonen som står i denne brukerhånd-boken. Akkurat som ved andre fysiske fritidsaktiviteter er det også her mulighet for at utøverne kan skade seg. For å redusere risikoen for skade er det viktig å følge sikkerhetsreglene og -tipsene.

- Det anbefales bruk av hansker ved monteringen av produktene.
- Ikke plasser trampolinen på betong, asfalt eller andre harde underlag.
- Feil bruk og misbruk av denne trampolinen er farlig og kan føre til alvorlige skader!
- Trampoliner, som er tilbakestøtsinnretninger, kan sende brukeren til uvante høyder og føre til en rekke kroppsbevegelser.
- Inspiser alltid trampolinen før den skal brukes og se etter slitasje på duken og løse eller manglende deler.
- Kraftige vinder og vindkast kan føre til at trampolinen flyttes. Salta anbefaler at trampolinen sikres ved bruk av ankre eller sandsekker og at sikkerhets og hoppenettene fjernes.
- Korrekt montering, pleie og vedlikehold av produktet, sikkerhetstips, advarsler og riktige hoppe- og spretteteknikker kan finnes i denne håndboken. Alle brukere og tilsynspersoner må lese disse instruksjonene og gjøre seg kjent med dem. Alle som velger å bruke denne trampolinen må være kjent med sine egne begrensninger når det gjelder det å utføre forskjellige hopp og sprett på denne trampolinen.

### ADVARSEL

- ADVARSEL! Les instruksjonene før du bruker denne trampolinen.
- ADVARSEL! Saltoer er forbudt.
- ADVARSEL! Kun én bruker. Kollisjonsfare.
- ADVARSEL!

FIRST CLASS	STØRRELSE	MAKSIMAL VEKT
5371 / 5372 / 5941	251 cm / 305 cm / 487 cm	150 kg
5373 / 5374	366 cm / 427 cm	180 kg

- ADVARSEL! Lukk alltid nettåpningen før det hoppes.
- ADVARSEL! Kun for privatbruk i bomiljøer.
- ADVARSEL! Kun for utendørs bruk.
- ADVARSEL! Ikke bruk sko på trampolinen, da dette vil føre til overdreven slitasje av dukmaterialet.
- ADVARSEL! Ikke bruk duken når den er våt.
- ADVARSEL! Trampolinen skal monteres av en voksen i samsvar med monteringsanvisningene og deretter kontrolleres før første gangs bruk.
- ADVARSEL! Tøm lommer og hender før du hopper.
- ADVARSEL! Hopp alltid midt på duken.
- ADVARSEL! Ikke spis mens du hopper.
- ADVARSEL! Ikke forlat trampolinen med et hopp.
- ADVARSEL! Må ikke brukes i kraftig vind. Sikre trampolinen så den ikke tas av vinden.
- ADVARSEL! Begrens tiden det hoppes kontinuerlig (ta jevnlige pauser).
- ADVARSEL! Tilsyn av voksne er nødvendig.
- ADVARSEL! Må ikke brukes av barn yngre enn 36 måneder. Kvelningsfare. Små deler.
- Trampolinen er ikke egnet for nedgraving i bakken.
- Nettet skal byttes hvert 2. år.
- Trampolinen får ikke modifieres.
- Ta vare på instruksjonshåndboken.
- Det skal kun brukes selvlåsende muttere hvis trampolinen ikke skal flyttes eller demonteres.
- Feil bruk og misbruk av denne trampolinen kan føre til alvorlige skader.

- Inspiser trampolinen før bruk og bytt ut slitte, defekte eller manglende deler.
- Følg alle sikkerhetskrav og -instruksjoner som følger dette produktet.
- Må ikke brukes av barn yngre enn 36 måneder, på grunn av manglende motorikk og evner.
- Må holdes unna åpen ild.
- Ikke heng fra, spark i, skjær i eller klatre på sikkerhetsnett.
- Bruk klær som ikke har løse snorer, løkker eller annet som kan feste seg i sikkerhetsnett.
- Ikke fest noe til sikkerhetsnett som ikke er et tilbehør godkjent av produsenten eller som er en del av avstengingssystemet.
- Gå kun inn og ut av innhegningen gjennom døren eller åpninger designet og tiltenkt for dette formålet.
- Rådfør deg alltid med en lege før du utfører fysisk aktivitet.

## 2. INFORMASJON OM BRUK AV TRAMPOLINEN

Il første omgang må du gjøre deg kjent med trampolinens sprett og hvordan den føles. Du bør fokusere på det grunnleggende når det gjelder kroppsposisjonen din, og du bør øve på hvert hopp (de grunnleggende hoppene) til du kan utføre dem enkelt og med full kontroll.

**For å avbryte et hopp trenger du bare å bøye knærne dine raskt like før du kommer i kontakt med trampolineduken.** Du bør øve på denne teknikken mens du lærer deg de grunnleggende hoppene. Du kan bruke denne bremsemetoden hvis du mister balansen eller kontrollen mens du hopper.

Lær deg alltid det enkleste hoppet først og ha konsistent kontroll med det før du prøver deg på vanskeligere og mer avanserte hopp. **Et kontrollert hopp er et hopp der du forlater trampolinen og lander igjen på samme punkt på duken.** Hvis du går til neste, vanskeligere hopp uten at du har mestret det foregående, så øker sjansen for at du skal skade deg.

Ikke hopp på trampolinen i lange perioder. Sjansen for skader er større hvis du er sliten. Hopp en kort stund og la deretter andre ta del i mora! La aldri mer enn én person hoppe av gangen.

Den som hopper bør være kledd i t-skjorte, shorts eller joggebukse, turnsko, kraftige sokker eller ha bare føtter. Hvis du er nybegynner kan det være lurt ha langbukse og genser med lange ermer som beskyttelse mot skrubbing og oppskraping frem til du mestrer korrekt landing og form. Ikke bruk sko med harde såler på trampolinen, slik som tennissko, da dette vil føre til overdreven slitasje av dukmaterialet.

Du skal alltid gå av og på trampolinen på korrekt måte for å unngå skader. For å gå korrekt opp på trampolinene SETTER du hånden på rammen før du enten ruller eller tar et steg opp på rammen, over fjærene og opp på trampolineduken. Du må alltid huske å sette hendene dine på rammen når du går av eller på trampolinen. Ikke gå rett opp på rammeputen eller ta tak i rammeputen. For å gå av på riktig måte beveger du deg først til siden av trampolinen, før du setter hånden på rammen for å støtte deg og går fra duken til bakken. Mindre barn bør få hjelp når de går av og på trampolinen.

Ikke hopp vilt og dristig på trampolinen da dette øker sjansen for at du skal skade deg. Nøkkelen til sikkerhet og moro på trampolinen er kontroll og mestring av de forskjellige hoppene. Prøv aldri å overgå andre hoppere når det gjelder å hoppe høyest. Bruk aldri trampolinen alene uten tilsyn.

## 3. ULYKKESKLASSIFISERING

**Gå på og av trampolinen:** Vær veldig forsiktig når du går på og av trampolinen. GÅ IKKE opp på trampolinen ved å ta tak i rammeputen, trå på fjærene eller ved å hoppe ned på trampolineduken fra en annen gjenstand (f.eks. en stein, et tak eller en stige). Dette øker sjansen for at du skal skade deg! FORLAT IKKE trampolinen ved å hoppe fra trampolinen og ned på bakken, uansett hva bakken er laget/dekket av. Hvis små barn leker på trampolinen kan de ha behov for hjelp til å gå av og på.

**Bruk av alkohol og narkotika:** IKKE bruk alkohol eller narkotika når du bruker denne trampolinen! Dette øker sjansen for at du skal skade deg siden disse stoffene vil redusere vurderingsevnen din, reaksjonstiden din og den generelle fysiske koordinasjonsevnen.

**Kontakt med rammen eller fjærene:** HOLD DEG midt på matten når du leker på trampolinen. Dette vil redusere sjansen for skade som skyldes landing på rammen eller fjærene. Sørg for at rammeputene alltid dekker trampolinerammen. IKKE hopp eller trå direkte på rammeputen da den ikke er tiltenkt å bære vekten av en person.

**Tap av kontroll:** IKKE prøv vanskelige hopp eller noen hopp før du mestrer forrige hopp, eller hvis du er nybegynner og er i ferd med å lære deg hvordan du hopper på en trampoline. Hvis du gjør dette vil du øke sjansen for skader som skyldes at du lander på rammen, fjærene eller på siden av trampolinen fordi du kan miste kontrollen i hoppet. Et kontrollert hopp er når du lander på samme sted som du tok av fra. Hvis du mister kontrollen når du hopper på trampolinen så bøye knærne dine raskt når du lander, så vil dette hjelpe deg å få kontroll igjen og avslutte hoppet ditt.

**Saltoer (Flips):** IKKE UTFØR saltoer av noen type (verken forover eller bakover) på denne trampolinen. Hvis du gjør en feil når du prøver å utføre en salto kan du lande på hodet eller nakken. Dette øker sjansen for at du kan brette nakken eller ryggen, noe som vil føre til dødsfall eller at du blir lam.

**Fremmedlegemer:** Trampolinen må IKKE brukes hvis det befinner seg kjæledyr eller andre dyr, andre personer eller objekter på den eller under den. Dette vil øke sjansen for at det kan skje en ulykke. IKKE hold noen fremmedlegemer i hendene dine og IKKE sett noen objekter på trampolinen mens andre leker på den. Vær oppmerksom på hva som befinner seg over deg når du leker på trampolinen. Greiner, ledninger eller andre objekter som befinner seg over trampolinen vil øke sjansen for at du skal skade deg.

**Dårlig vedlikehold av trampoline:** En trampoline i dårlig stand vil øke risikoen for skade. Trampolinen bør kontrolleres før bruk for bøyd stålrør, revne matter, løse eller ødelagte fjær og den totale stabiliteten til trampolinen

**Værforhold:** Vær oppmerksom på værforholdene når du bruker trampolinen. Ikke bruk den hvis trampolineduken er våt, den som hopper kan skli og skade seg. Hvis det er for mye vind kan de som hopper miste kontrollen.

**Begrense tilgang:** Når trampolinen ikke er i bruk må stigen alltid oppbevares på et sikkert sted slik at ikke barn kan leke på trampolinen uten tilsyn.

## TIPS FOR Å REDUSERE ULYKKESRISIKOEN

### Hopperens rolle i ulykkesforebygging

Nøkkelen er å kontrollere hoppene dine. IKKE prøv deg på mer kompliserte og vanskelige hopp før du mestrer det grunnleggende, standardhoppet. Kunnskap er også nøkkelen til sikkerhet og er meget viktig. Les, forstå og praktiser alle sikkerhetsforholdsregler og advarsler før du bruker trampolinen. Et kontrollert hopp er når du tar av og lander på samme sted. For ytterligere sikkerhetstips og instruksjoner, kontakt en sertifisert trampolineinstruktør.

### Den ulykkesforebyggende rollen til den som holder tilsyn

Den som holder tilsyn med hoppingen må forstå alle sikkerhetsregler og retningslinjer. Det er den som holder tilsyn sitt ansvar å gi råd og veiledning til alle brukerne av trampolinen. Hvis det ikke er mulig å holde tilsyn med trampolinen, kan trampolinen oppbevares på et sikkert sted, demonteres for å unngå uautorisert bruk, eller dekket med en kraftig presenning som kan låses eller sikres med en lås eller kjettinger. Den som fører tilsyn er også ansvarlig for å sørge for at sikkerhetsmerket er festet på trampolinen og at hopperne informeres om disse advarslene og instruksjonene.

## 4. SIKKERHETSINSTRUKSJONER FOR TRAMPOLINE

### Hoppere

- Ikke bruk trampolinen hvis du har inntatt alkohol eller narkotiske stoffer.
- Fjern alle harde, skarpe objekter fra kroppen før du bruker trampolinen.
- Du skal klatre av og på trampolinen på en kontrollert og forsiktig måte. Hopp aldri på eller av trampolinen. Og bruk aldri trampolinen som et hjelpemiddel til å oppe opp på eller inn i et annet objekt.
- Lær alltid det grunnleggende hoppet og sørg for at du mestrer hver type hopp før du går videre til vanskeligere hopp. Gå gjennom avsnittet med Grunnleggende hopp for å lære det grunnleggende.
- For å stanse hoppet bøyer du knærne når du lander på matten med føttene dine.
- Ha alltid kontroll når du hopper på trampolinen. Et kontrollert hopp er når du tar av og lander på samme sted som du tok av fra. Hvis du føler at du mister kontrollen så prøv å stanse hoppet.
- Ikke hopp eller sprett for lenge, og ikke hopp flere høye hopp etter hverandre.
- Hold øynene på duken for å beholde kontrollen. Hvis du ikke gjør dette kan du miste balansen eller kontrollen.
- La aldri mer enn én person hoppe på trampolinen av gangen.
- Ha alltid noen som følger med når du hopper på trampolinen.

### For deg som holder tilsyn

Informert deg om de grunnleggende hoppene og sikkerhetsreglene. For å forebygge og redusere sjansen for skader, må alle sikkerhetsregler håndheves. I tillegg må man forsikre seg om at alle nye hoppere lærer seg de grunnleggende hoppene før de prøver vanskeligere og mer avanserte hopp.

- Det må følges med på alle hoppere, uansett ferdighetsnivå eller alder.
- Bruk aldri trampolinen hvis den er våt, skadet, skitten eller slitt ut. Trampolinen skal inspiseres før det hoppes på den.
- Hold alle gjenstander som kan forstyrre hopperen borte fra trampolinen.
- Vær oppmerksom på hva som befinner seg over, under og rundt trampolinen.
- Trampolinen skal sikres når den ikke er i bruk for å unngå uautorisert bruk og bruk uten tilsyn.

## 5. PLASSERING AV TRAMPOLINEN

Minimum fri avstand over trampolinen skal være 7,3 meter (24 fot). Det skal også være 2 meter klaring rundt trampolinen. Når det gjelder horisontal klaring, må det sørges for at det ikke finnes noen farlige objekter nær trampolinen, som greiner, andre objekter til fritidsbruk (f.eks. huskestativer, svømmebasseng), elektriske strømledninger, vegger gjerder, etc.

For trygg bruk av trampolinen, vær oppmerksom på følgende ved valg av plasseringssted for trampolinen.

- Pass på at den står på et jevnt underlag.
- Området skal være godt opplyst.
- Det skal ikke finnes hindringer under trampolinen.

Hvis du ikke følger disse retningslinjene øker du faren for at noen kan komme til skade.

## 6. GARANTI

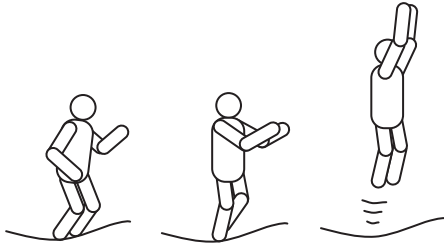
For garantiinformasjon, vennligst se vår hjemmeside: [www.salta.com](http://www.salta.com). Garantien kan påberopes ved å presentere originalfakturaen. Garantien gjelder kun material og konstruksjonsfeil for produktet og dets komponenter. Garantien bortfaller hvis:

- Produktet brukes feil eller skjodesløst eller på en upassende måte.
- Produktet ikke monteres og vedlikeholdes i henhold til instruksjonene.
- Produktet graves ned i bakken.
- Feil som skyldes ekstern påvirkning (f.eks. værpåvirkning som normal slitasje av UV-stråler eller normal slitasje).
- Endringer eller modifiseringer av trampolinen er ikke tillatt.
- Produktet brukes offentlig eller innen fritidsaktivitetsmarkedet.
- Defekte deler er skiftet ut med ikke-originale Salta-reservedeler.



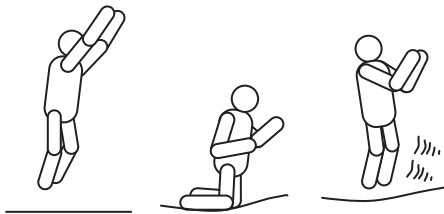
## 7. GRUNNLEGGENDE TRAMPOLINEHOPP

### DET GRUNNLEGGENDE HOPPET



1. Start fra stående posisjon, ha føttene adskilt i skulderbredde, hold hodet opp og øynene på duken.
2. Sving armene forover og opp og rundt i en sirkulær bevegelse.
3. Samle føttene i luften og pek nedover med tærne.
4. Ha en skulderbredde mellom føttene når du lander på duken.

### KNEHOPP



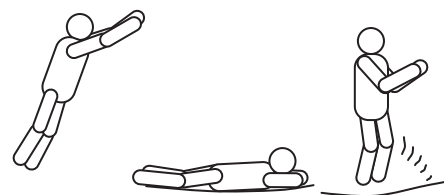
1. Start med et grunnleggende hopp og ikke hopp så høyt.
2. Land på knærne mens du holder ryggen og kroppen rett, og bruke armene til å holde balansen.
3. Sprett tilbake til den grunnleggende hoppeposisjonen ved å svinge armene opp.

### SETEHOPP



1. Land i en flat, sittende posisjon.
2. Sett hendene på duken ved siden av hoftene.
3. Returner til stående posisjon ved å skyve fra med hendene.

### FRONTHOPP



1. Start i fronthoppstillingen.
2. Land i liggende (med ansiktet ned) posisjon og hold hendene og armene utstrakt forover på duken.
3. Skyv fra duken med armene for å returnere til stående posisjon.

### 180 GRADERS HOPP



1. Start i fronthoppstillingen.
2. Skyv fra med venstre eller høyre hender og armer (avhengig av hvilken vei du ønsker å rotere).
3. Hold hodet og skuldrene i samme retning og hold ryggen parallelt med duken og hodet opp.
4. Land på magen ved retur til stående posisjon ved å skyve fra med hender og armer.

## 8. STELL OG VEDLIKEHOLD

Denne trampoline ble konstruert og produsert med kvalitetsmaterialer og godt håndverk. Med riktig stell og vedlikehold vil trampolinen gi mange år med trening, moro og glede, samt at risikoen for skader reduseres. Kontroller og utfør vedlikehold på hoveddelene (ramme, fjærsystem, innhegning, duk og puter) før hver ny sesong samt jevnlig i sesongen. Hvis ikke dette gjøres kan trampolinen bli farlig. Vennligst følg retningslinjene oppgitt nedenfor:

Denne trampolinen er designet for å tåle en viss mengde vekt og bruk. Forsikre deg om at kun én person benytter trampolinen av gangen. Den som hopper bør enten hoppe i sokkelesten eller med bare føtter. Vennligst vær oppmerksom på at vanlige sko eller joggesko/tennissko IKKE skal brukes på trampolinen. For å unngå at trampolineduken får rifter eller skader er det ikke tillatt med kjæledyr på duken. Hoppere må også fjerne alle skarpe objekter de måtte ha på/med seg før de bruker trampolinen. Det må aldri befinne seg skarpe objekter på trampolineduken.

Ta godt vare på håndboken for fremtidig bruk referanse. Inspiser alltid trampolinen før den skal brukes og se etter slitasje, ødelagte eller manglende deler. Det er en rekke faktorer som kan øke faren for skader. Vær oppmerksom på:

- Kontroller at alle bolter og muttere er strammet til og etterstram ved behov.
- Sjekk at alle fjærbelastede ledd (med splinter) fremdeles er i god stand og at de ikke kan løsne under bruk.
- Sjekk all tildekking og skarpe kanter og bytt ved behov.
- I noen land kan vekten av snø og de meget lave temperaturene på vinterstid skade trampolinen. Det anbefales å fjerne snøen og å oppbevare duken og innhegningen innendørs.
- Kontroller at duken og putene ikke har defekter. Vær oppmerksom på at sollys, regn, snø og ekstreme temperaturer reduserer styrken til disse delene over tid.
- Bytt ut nettet etter 2 års bruk eller når nettet ikke lenger fungerer som det skal.
- Punkteringer, hull eller revner i trampolineduken.
- Hengende trampolineduk.
- Løse sømmer av alle slag eller alle tegn på dukslitasje.
- Bøyde eller ødelagte rammedeler, som f.eks. bena.
- Knekte, manglende eller skadde fjærer.
- Skadde, manglende eller dårlig festede rammeputer.
- Deler på rammen, fjærer eller fjærmatte som stikker ut.
- Pass på at borrelåsfestene er festet som de skal under bruken av trampolinen.

**!** Hvis du oppdager noen av de ovennevnte forholdene, eller noe annet du tenker kan skade brukerne, bør trampolinen demonteres eller sikres mot bruk frem til forholdet/-ene er rettet.

### Vindforhold

Ved kraftig vind kan trampolinen tas av vinden. Vi anbefaler bruk av det offisielle Salta Anker-settet for å sikre trampolinen. Hvis du forventer værforhold med mye vind bør trampolinen flyttes til et skjermet sted eller demonteres.

### Flytter trampoline

Hvis du trenger å flytte trampoline, bør to personer brukes. Når du beveger deg, løft trampolinen litt av bakken og hold den horisontal mot bakken. For en hvilken som helst annen flytting, bør du demontere trampolinen.

## 1. INLEDNING

Innan du tar studsmattan i bruk, se till att du läser all information i den här bruksanvisningen omsorgsfullt. Som vid all annan fysisk aktivitet finns risk för personskada. För att minska risken för skador, följ alla säkerhetsanvisningar och tips noggrant.

- Vi rekommenderar att använda handskar när studsmattan monteras.
- Ställ inte studsmattan på ytor av betong, asfalt eller andra hårda material.
- Missbruk eller felaktigt bruk av studsmattan är farligt och kan leda till allvarliga personskador!
- Studsmattans egenskaper gör att användaren kan hoppa mycket högt i olika positioner.
- Kontrollera före varje användning att produkten är i gott skick och inte har några skador som kan påverka säkerheten.
- Hård vind eller vindbyar kan göra att studsmattan förskjuts. Salta Trampoliner rekommenderar att studsmattan förankras med hjälp av exempelvis sandsäckar och att säkerhetsnätet och hoppduken demonteras.
- I denna bruksanvisning beskrivs hur studsmattan ska monteras, underhållas och användas. Säkerhetstips, varningar och beskrivning av korrekt hopp teknik ingår också. Alla användare och övervakare måste läsa och förstå instruktionerna i bruksanvisningen. Var och en som väljer att använda denna studsmatta måste vara medveten om sina egna begränsningar när det gäller att kunna utföra olika hopp.

### VARNING

- VARNING! Läs bruksanvisningen innan studsmattan tas i bruk.
- VARNING! Inga volter.
- VARNING! Bara en person åt gången. Risk för krockar (personskador).
- VARNING!

FIRST CLASS	STORLEK	MAXVIKT
5371 / 5372 / 5941	251 cm / 305 cm / 487 cm	150 kg
5373 / 5374	366 cm / 427 cm	180 kg

- VARNING! Stäng alltid skyddsnätet innan du börjar hoppa.
- VARNING! Endast för hemmabruk.
- VARNING! Endast för utomhusbruk.
- VARNING! Ha inte skor på dig på studsmattan. Då slits hoppduken i onödan.
- VARNING! Använd inte studsmattan när den är våt.
- VARNING! Studsmattan måste monteras av en vuxen och alla monteringsanvisningar i bruksanvisningen måste följas. Kontrollera studsmattan innan den används för första gången.
- VARNING! Töm fickorna och ha inget i händerna när du hoppar.
- VARNING! Hoppa alltid i mitten av studsmattan.
- VARNING! Ät inte samtidigt som du hoppar.
- VARNING! Hoppa inte av studsmattan.
- VARNING! Använd inte studsmattan om det blåser hårt. Förankra studsmattan när det blåser.
- VARNING! Hoppa inte alltför länge (ta paus regelbundet).
- VARNING! Får bara användas under uppsikt av vuxen.
- VARNING! Studsmattan är inte lämplig för barn under 3 år. Risk för kvävning. Innehåller smådelar.
- Studsmattan ska inte grävas ned i marken.
- Säkerhetsnätet ska bytas ut vartannat år.
- Inga ändringar får göras på studsmattan.
- Spara underhållsanvisningarna.
- Självlåsand muttrar ska bara användas under den första grundläggande monteringen.
- Felaktig användning av studsmattan kan leda till allvarliga personskador.

- Kontrollera före varje användning att studsattan är i gott skick och att inga delar saknas.
- Följ alla säkerhetsanvisningar som levererats med produkten.
- Studsmattan är inte lämplig för barn under 3 år.
- Utsätt inte studsattan för eld.
- Häng inte och klättra inte i säkerhetsnätet. Klipp inte i nätet och sparka inte mot det.
- Använd inte kläder med snören, hakar eller annat som kan fastna i säkerhetsnätet eller studsattan.
- Fäst inte något i säkerhetsnätet som inte ingår i systemet och har rekommenderats eller levererats av tillverkaren.
- Använd bara den avsedda öppningen i skyddsnetet för att ta dig upp på studsattan.
- Rådfråga alltid läkare innan du utför någon form av fysisk aktivitet.

## 2. INFORMATION OM HUR STUDSMATTAN SKA ANVÄNDAS

Börja med att bekanta dig med hur studsattan känns att hoppa på. Fokusera på grundläggande saker som kroppsposition och träna på enkel hoppeteknik tills du behärskar den och har fullständig kontroll.

**För att bromsa ett hopp, böj ordentligt på knäna när du landar på hoppduken.** Se till att du lär dig bromsa innan du börjar öva svårare hopp. Bromstekniken kan du använda så fort du tappar balansen eller kontrollen över ett hopp.

Börja med de enklaste hoppen och se till att du behärskar dem fullständigt innan du går vidare med svårare hopp. **Ett hopp är kontrollerat när du startar och landar på samma punkt på hoppduken.** Om du börjar göra svårare hopp utan att behärska de enklare, ökar risken för skador.

Hoppa inte alltför länge, trötthet kan öka risken för skador. Hoppa en kort stund och turas om, så har alla roligt! Låt aldrig mer än en person i taget hoppa på studsattan.

Den som hoppar bör ha på sig t-shirt, shorts eller mjukisbyxor, mjuka gymnastikskor, grova sockor eller vara barfota. Om du är nybörjare kan det vara skönt med långärmat och långa byxben, eftersom det är lätt att skrubba sig innan man lärt sig att landa rätt. Ha inte skor med hård sula, t.ex. tennis skor, på dig på studsattan. Då slits hoppduken i onödan.

Klättra alltid upp på studsattan på ett kontrollerat sätt. För att klättra upp rätt, sätt handen på ramen och stig eller rulla upp på hoppduken, över ramen och fjädrarna. Kom alltså ihåg att ha händerna på ramen när du klättrar upp eller ned från studsattan. Stig inte upp på kantskyddet och dra inte i det. För att klättra ned på rätt sätt, flytta dig till kanten på studsattan och ha händerna på ramen medan du kliver ned på marken. Små barn bör hjälpas av och på studsattan.

Hoppa inte vilt på studsattan eftersom det ökar risken för att du skadas. Att ha roligt på studsattan på ett säkert sätt handlar om att ha kontroll och att behärska olika hopp. Försök aldrig att överträffa varandra genom att hoppa så högt som möjligt! Använd aldrig studsattan ensam utan att någon övervakar.

## 3. OLYCKSKLASSIFICERING

**Ta sig upp och ned från studsattan:** Var mycket försiktigt när du klättrar upp och ned från studsattan. Dra INTE i kantskyddet när du klättrar upp och gå inte på fjädrarna. Hoppa inte upp på studsattan från något annat föremål (t.ex. trall, tak eller steg). Det ökar risken för att du skadas. Hoppa INTE ned från studsattan på marken, oberoende av markytan. Om små barn leker på studsattan kan de behöva hjälp att ta sig upp och ned.

**Alkohol och droger:** Använd ALDRIG alkohol eller droger när du hoppar på studsattan. Det ökar risken för att du skadas eftersom alkohol och droger påverkar ditt omdöme, din reaktionsförmåga och koordination.

**Ramla mot ramen/fjädrarna:** När du leker på studsattan, håll dig i mitten av hoppduken. Det minskar risken för att du blir skadad om du landar på ramen eller fjädrarna. Se till att kantskyddet alltid täcker ramen på studsattan. Hoppa eller stig INTE upp på ramen eller kantskyddet. Det är inte avsett att tåla vikten av en person.

**Tappa kontrollen:** Försök INTE utföra svåra hopp eller manövrer innan du behärskar de enklare eller om du är nybörjare. Om du gör det är risken för att du skadas stor. Du kan råka landa på ramen, fjädrarna eller vid sidan av studsattan om du tappar kontrollen över ditt hopp. Ett kontrollerat hopp innebär att du landar på samma punkt som du tog sats ifrån. Om du tappar kontrollen när du hoppar på studsattan, böj benen ordentligt när du landar. På så sätt kan du bromsa hoppet och återfå balansen.

**Volter (framåt eller bakåt):** UTFÖR INTE några volter av något slag (framåt eller bakåt) på den här studsattan. Om du gör något misstag när du försöker göra en volt kan du landa på huvudet eller nacken. Det finns då risk för att allvarliga personskador. Du kan bryta nacken eller ryggen vilket kan leda till förlamning.

**Främmande föremål:** Använd INTE studsattan om (hus)djur, andra personer eller föremål befinner sig på eller under studsattan. Det ökar risken för olycksfall och personskador. Håll INGA föremål i händerna och lägg INGA föremål på studsattan när du leker på den. Var uppmärksam på vad som finns ovanför dig när du leker på studsattan. Trädgrenar, kablar eller andra föremål ovanför studsattan ökar risken för att du skadas.

**Dåligt underhåll av studsattan:** En studsatta i dåligt skick ökar risken för personliga skador. Studsattan bör kontrolleras innan dagligt bruk för böjda stålrör, trasiga mattor, lösa eller trasiga fjädrar och studsattans allmänna stabilitet.

**Väderförhållanden:** Var uppmärksam på vädret när du använder studsattan. Använd inte studsattan om hoppduken är våt. Man kan halka och skada sig. Om det blåser hårt kan hopparen tappa kontrollen.

**Begränsa tillträdet:** När studsattan inte används ska stegen förvaras på ett säkert ställe, så att barn inte kan leka med studsattan utan att någon håller uppsikt.

## TIPS FÖR ATT UNDVIKA OLYCKOR

### Hopparens roll när det gäller att förebygga olycksfall

Det viktigaste är att ha kontroll över hoppet. Börja INTE med svåra hopp eller manövrer innan du behärskar vanliga, enkla hopp. Utbildning och övning är nyckeln till säkerhet. Läs och se till att du förstår alla säkerhetsanvisningar och varningar innan du börjar använda studsattan. Ett kontrollerat hopp innebär att du tar sats och landar från samma punkt. För mer säkerhetstips och instruktioner, ta kontakt med en utbildad trampolininstruktör.

### Övervakarens roll när det gäller att förebygga olycksfall

Övervakaren måste förstå och följa alla säkerhetsregler och direktiv. Det är övervakarens ansvar att ge användarna råd och hjälp. Om ingen övervakning finns på plats eller är inadekvat, ska studsattan förvaras på ett säkert ställe, nedmonterad så att obehörigt bruk förhindras eller täckas med en tung presenning som kan tillslutas med lås eller kedjor. Övervakaren ansvarar också för att säkerhetsskyltar placeras på studsattan och att användarna informeras om dessa varningar och instruktioner.

## 4. SÄKERHETSINSTRUKTIONER

### Hoppare

- Använd inte studsattan om du har druckit alkohol eller tagit droger.
- Se till att du inte har några vassa föremål på kroppen när du ska använda studsattan.
- Ta dig upp och ned från studsattan på ett kontrollerat och försiktigt sätt. Hoppa aldrig upp eller ned från studsattan och använd den aldrig som hoppdjälp för att nå upp på eller i något annat föremål.
- Lär dig alltid de grundläggande hoppen innan du försöker dig på svårare typer av hopp. Läs avsnittet om "Grundläggande hopptechnik" för att lära dig grunderna.
- För att bromsa ett hopp, böj knäna ordentligt när du landar på hoppduken med fötterna.
- Ha alltid kontroll när du hoppar på studsattan. Ett kontrollerat hopp innebär att du tar sats och landar från samma punkt. Om du tappar kontrollen, försök bromsa ditt hopp.
- Hoppa inte alltför länge och försök aldrig hoppa så högt som möjligt.
- För att hålla kontroll, håll blicken riktad mot underlaget. Om du inte gör det kan du tappa balansen eller kontrollen.
- Låt aldrig mer än 1 person i taget hoppa på studsattan.
- Se alltid till att det finns en övervakare som håller uppsikt över hoppandet.

### Övervakare

Lär dig själv den grundläggande hopptechniken och säkerhetsreglerna. För att förhindra risken för person skador, följ alla säkerhetsregler och se till att nya användare kan de enkla hoppen innan de försöker sig på svårare och mer avancerade hopp.

- Alla användare ska övervakas, oberoende av hur duktiga eller gamla de är.
- Använd aldrig studsattan när den är våt, skadad, smutsig eller sliten. Studsattan ska alltid inspekteras innan någon börjar hoppa på den.
- Förvara föremål som kan störa hopparen utom räckhåll för studsattan.
- Var uppmärksam på vad som finns ovanför, under och bredvid studsattan.
- För att förhindra oövervakad och obehörig användning ska studsattan låsas/täckas över när den inte används.

## 5. LÄMPLIG PLATS FÖR STUDSMATTAN

Ovanför studsattan krävs ett fritt utrymme på 7,3 meter och runt hela studsattan ett fritt utrymme på minst 2 meter. Se också till att det inte finns några farliga föremål på marken/nära trampolinen, såsom trädgrenar, andra fritidsartiklar (simsaker, badbassänger), elkablar, väggar, staket etc.

För att studsattan ska kunna användas säkert, observera följande när du väljer en lämplig plats:

- Markytan ska vara jämn.
- Platsen ska vara väl upplyst.
- Det får inte finnas några föremål eller andra hinder under studsattan.

Om dessa anvisningar inte efterföljs, kan det leda till personskador.

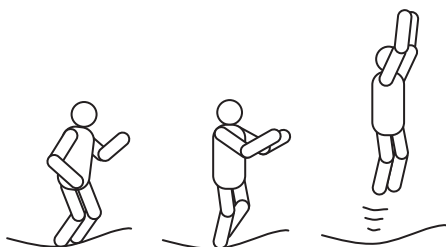
## 6. GARANTI

För information om garantin, se vår hemsida: [www.salta.com](http://www.salta.com). Om du vill göra anspråk på garantin, måste du visa upp originalkvittot. Garantin gäller endast material- och konstruktionsfel på produkten och dess tillbehör. Garantin gäller inte om:

- Produkten har använts felaktigt, oaktsamt eller på ett olämpligt sätt.
- Produkten inte har monterats och/eller underhållits enligt instruktionerna.
- Produkten har grävts ned i marken.
- Defekterna beror på extern påverkan (t.ex. väderpåverkan såsom naturlig nötning på grund av UV-strålning) eller normalt slitage.
- Otillåtna ändringar har utförts på studsattan.
- Produkten används för offentligt eller rekreativt bruk.
- Defekta delar har ersatts av delar som inte är originaldelar från Salta.

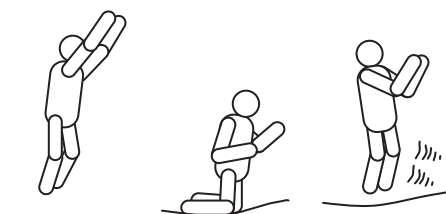
## 7. GRUNDLÄGGANDE HOPPTEKNIK

### GRUNDHOPP/RAKT HOPP



1. Stå upp med fötterna axelbrett isär och blicken riktad mot mattan.
2. Pendla armarna framåt och uppåt i en cirkelrörelse.
3. Hoppa upp och för samman fötterna. Tårna ska riktas nedåt.
4. Landa på hoppduken med fötterna axelbrett isär.

### KNÄHOPP



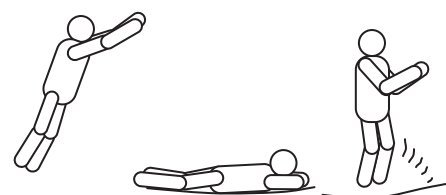
1. Gör ett lågt grundhopp.
2. Landa på knäna. Håll ryggen rak och håll balansen med hjälp av armarna.
3. Hoppa tillbaka till stående grundposition genom att pendla armarna uppåt.

### SITTHOPP



1. Landa sittande.
2. Placera händerna på hoppduken bredvid höfterna.
3. Tryck ifrån med händerna för att komma tillbaka till stående grundposition.

### MAGSTUDS



1. Börja att stå upprätt. Luta framåt.
2. Landa med magen nedåt (ansiktet nedåt) och håll händerna och armarna utsträckta på hoppduken.
3. Tryck ifrån med händerna för att komma tillbaka till stående.

### 180° HOPP



1. Börja att stå upprätt. Luta framåt.
2. Tryck ifrån med vänster eller höger hand och arm (beroende på vilket håll du vill vrida dig).
3. Håll huvudet och axlarna i samma riktning och håll ryggen rak, parallell med hoppduken. Håll upp hakan.
4. Landa på samma sätt och tillbaka till stående genom att trycka upp dig med händer och armar.



## 8. RENGÖRING OCH UNDERHÅLL

Den här studsmattan har konstruerats och tillverkats av yrkesmän och består av material av hög kvalitet. Om den underhålls ordentligt kommer den att ge användarna många års glädje och träning samt minska risken för skador. Kontrollera och underhåll de viktigaste delarna (ramen, fjädrarna, stängningen, hoppduken och kantskyddet) i början av varje säsong och sedan med regelbundna mellanrum. Om dessa kontroller inte utförs, kan studsmattan bli farlig. Var god följ nedanstående anvisningar:

Studsmattan är konstruerad att hålla en viss vikt och användning. Se till att endast en person i taget använder studsmattan. Den som hoppar ska antingen ha sockor på sig eller vara barfota. Observera att skor med hård sula eller gymnastiskor INTE får användas på studsmattan. För att förhindra att studsmattans hoppduk skadas, får inga (hus) djur vistas på hoppduken. De som använder studsmattan måste se till att de inte har några vassa föremål på sig. Vassa eller spetsiga föremål får inte finnas på studsmattan.

Spara bruksanvisningen för framtida referens. Kontrollera före varje användning att produkten är i gott skick och inte har några skador som kan påverka säkerheten. Det ökar risken för att du skadas. Var uppmärksam på:

- Kontrollera alla muttrar och bultar och dra åt dem om så behövs.
- Kontrollera alla fjädrar och att de är korrekt fastkrokade i ramen så att de inte kan lossna under hoppandet.
- Kontrollera kantskyddet och vassa delar. Byt ut skydd om så behövs.
- I vissa länder kan snö och låga temperaturen skada studsmattan. Vi rekommenderar att ta bort snön från studsmattan och förvara hoppduken och skyddsnätet inomhus.
- Kontrollera hoppduken och kantskyddet. Observera: solljus, regn, snö och extrema temperaturer gör att delarnas styrka minskar med tiden.
- Byt ut säkerhetsnätet efter 2 års användning eller när det inte fungerar väl.
- Kontrollera att hoppduken inte har några stick- eller rivhål.
- Kontrollera att hoppduken inte töjts ut/bågnar.
- Kontrollera eventuella lösa sömmar eller andra skador på hoppduken.
- Kontrollera ramen och benen.
- Är fjädrarna hela och kompletta?
- Sitter kantskyddet fast ordentligt och är det oskadat?
- Delar på ramen, fjädrar eller fjädermatta som sticker ut.
- Se till att fästkrokarna sitter fast ordentligt när studsmattan används.

**! Om du upptäcker felaktigheter eller brister, eller något annat som skulle kunna skada användaren, ska studsmattan monteras ned och förvaras oåtkomligt tills problemen har åtgärdats.**

### Hård blåst

Om det blåser mycket hårt kan studsmattan blåsa iväg. För att öka säkerheten rekommenderar vi att använda vår officiella Salta Anchor set. Om du förväntar dig hård blåst, ska studsmattan flyttas till en plats i lä eller monteras ned.

### Flyttar trampolin

Om du behöver flytta studsmattan, ska två personer användas. När du rör dig, lyfta trampolinen något från marken och håll den horisontal mot marken. För någon form av annat drag, ska du demontera trampolin.

## 1. INTRODUZIONE

Prima di iniziare a utilizzare questo trampolino, assicurarsi di leggere attentamente tutte le informazioni contenute nel presente manuale. Proprio come qualsiasi altro tipo di attività fisica ricreativa, gli utenti possono infortunarsi. Per ridurre il rischio di infortunio, assicurarsi di seguire le norme e i consigli di sicurezza appropriati.

- Si raccomanda di utilizzare dei guanti durante il montaggio dei prodotti.
- Non posizionare il trampolino su cemento, asfalto o altra superficie dura.
- L'uso improprio di questo trampolino è pericoloso e può causare lesioni gravi!
- I trampolini, in quanto dispositivi di rimbalzo, spingono l'utente ad altezze insolite e in una varietà di posture diverse.
- Ispezionare sempre il trampolino prima di ogni utilizzo, verificando l'usura del tappeto elastico ed eventuali parti allentate o mancanti.
- Il vento forte e le raffiche possono provocare lo spostamento del trampolino. Salta raccomanda di fissare il trampolino mediante ancoraggi o sacchi di sabbia e di rimuovere la rete di sicurezza e la rete di salto.
- Il presente manuale include le istruzioni di montaggio, cura e manutenzione corrette del prodotto, consigli di sicurezza, avvertenze e tecniche adeguate per saltare e rimbalzare. Tutti gli utenti e i supervisori devono leggere e familiarizzarsi con queste istruzioni. Chiunque decida di utilizzare questo dispositivo deve essere consapevole dei propri limiti rispetto all'esecuzione di salti e rimbalzi con un trampolino.

### ATTENZIONE

- ATTENZIONE! Leggere le istruzioni prima di utilizzare il trampolino.
- ATTENZIONE! Salti mortali non consentiti.
- ATTENZIONE! Solo un utente. Rischio di collisione.
- ATTENZIONE!

FIRST CLASS	DIMENSIONI	PESO MASSIMO
5371 / 5372 / 5941	251 cm / 305 cm / 487 cm	150 kg
5373 / 5374	366 cm / 427 cm	180 kg

- ATTENZIONE! Chiudere sempre l'apertura della rete prima di saltare.
- ATTENZIONE! Solo per uso domestico.
- ATTENZIONE! Solo per uso all'aperto.
- ATTENZIONE! Non indossare scarpe quando si utilizza il trampolino, in quanto ciò può causare l'eccessiva usura del materiale del tappeto elastico.
- ATTENZIONE! Non utilizzare il tappeto elastico quando è bagnato.
- ATTENZIONE! Il trampolino deve essere montato da un adulto, seguendo le istruzioni di montaggio; dopodiché deve essere verificato prima di essere utilizzato per la prima volta.
- ATTENZIONE! Prima di saltare, svuotare le tasche e non tenere oggetti in mano.
- ATTENZIONE! Saltare sempre al centro del tappeto elastico.
- ATTENZIONE! Non mangiare durante i salti.
- ATTENZIONE! Non uscire dal trampolino saltando.
- ATTENZIONE! In condizioni di vento forte, non utilizzare il trampolino e fissarlo al suolo.
- ATTENZIONE! Limitare il tempo di utilizzo continuo (fare pause regolari).
- ATTENZIONE! È richiesta la supervisione di un adulto.
- ATTENZIONE! Non adatto a bambini di età inferiore ai 36 mesi. Rischio di soffocamento. Piccole parti.
- Non è previsto che il trampolino venga interrato.
- La rete deve essere sostituita ogni 2 anni.
- Il trampolino non deve essere modificato.
- Conservare il manuale di istruzioni per la manutenzione.
- I dadi autobloccanti devono essere utilizzati solo in caso di un unico montaggio.

- L'uso improprio di questo trampolino può causare lesioni gravi.
- Ispezionare prima dell'uso e sostituire eventuali parti usurate, difettose o mancanti.
- Attenersi a tutti i requisiti di sicurezza inclusi in questo prodotto.
- Non adatto a bambini di età inferiore ai 36 mesi a causa della loro scarsa abilità.
- Mantenere a distanza da fiamme libere.
- Non appendersi o arrampicarsi sulla rete di sicurezza e non scalciarla o tagliarla.
- Indossare abiti privi di chiusure a cordoncino, ganci, asole o qualsiasi cosa che possa rimanere impigliata alla barriera.
- Non applicare nulla al trampolino che non sia un accessorio approvato dal produttore.
- Entrare e uscire dalla recinzione utilizzando esclusivamente la sua porta o l'apertura della barriera designata a tale scopo.
- Consultare sempre un medico prima di effettuare qualsiasi attività fisica!

## 2. INFORMAZIONI SULL'USO DEL TRAMPOLINO

Inizialmente, sarà necessario abituarsi alla sensazione e al rimbalzo del trampolino. L'attenzione deve essere incentrata sui fondamentali della posizione del corpo ed è necessario esercitarsi in ogni tipo di rimbalzo (i rimbalzi di base) fino a quando si padroneggiano tutte le tecniche con facilità e controllo.

**Per frenare un rimbalzo, è sufficiente flettere bruscamente le ginocchia prima di entrare in contatto con il tappeto elastico del trampolino.** Questa tecnica deve essere praticata mentre si sta imparando ciascuno dei rimbalzi di base. L'abilità di frenare deve essere utilizzata ogni volta che si perde l'equilibrio o il controllo del salto.

Imparare inizialmente il rimbalzo più semplice fino a raggiungere un suo controllo coerente, dopodiché passare a rimbalzi più difficili e complessi. **Un rimbalzo controllato si ottiene quando il punto di decollo e il punto di atterraggio sul tappeto elastico corrispondono allo stesso punto.** Passare al rimbalzo successivo senza padroneggiare il precedente, aumenta il rischio di infortunio.

Non saltare sul trampolino per lunghi periodi di tempo, in quanto la fatica può aumentare il rischio di infortunio. Saltare per brevi periodi di tempo e quindi permettere ad altri di unirsi al divertimento! Sul trampolino non deve trovarsi mai più di una persona contemporaneamente.

I saltatori devono indossare magliette, pantaloncini o felpe e normali scarpe da ginnastica, calze pesanti o essere scalzi. I principianti potrebbero voler indossare camicie a maniche lunghe e pantaloni per proteggersi da graffi e abrasioni fino a quando non acquisiranno una corretta posizione e tecnica di atterraggio. Non indossare scarpe con suola rigida sul trampolino, come le scarpe da tennis, in quanto ciò può causare l'eccessiva usura del materiale del tappeto elastico.

Per evitare lesioni, salire e scendere dal trampolino in modo appropriato. Per salire correttamente, è necessario POSIZIONARE la mano sul telaio e salire o rotolare su di esso, oltre le molle e sul tappeto elastico. Si deve sempre ricordare di mettere le mani sul telaio durante la salita e la discesa dal trampolino. Non salire sopra o afferrare direttamente l'imbottitura del telaio. Per scendere correttamente, spostarsi sul lato del trampolino, posizionare la mano sul telaio per supportarsi e fare un passo dal tappeto elastico al suolo. I bambini più piccoli devono essere aiutati durante la salita e la discesa dal trampolino.

Non rimbalzare in modo incauto sul trampolino poiché ciò può aumentare il rischio di infortunio. La chiave per divertirsi in modo sicuro sul trampolino è acquisire il controllo e la padronanza dei vari rimbalzi. Non tentare mai di superare un altro saltatore in termini di altezza! Non utilizzare mai il trampolino da soli, senza supervisione.

### 3. TIPOLOGIE DI INCIDENTE

**Salita e discesa:** prestare attenzione quando si sale e si scende dal trampolino. NON salire sul trampolino afferrando l'imbottitura del telaio, calpestando le molle o saltando direttamente sul tappeto elastico del trampolino da qualsiasi altro oggetto (ad esempio una pedana, un tetto o una scala). Ciò aumenterà il rischio di infortunio! NON scendere dal trampolino saltando e atterrando direttamente al suolo, indipendentemente dalla composizione del terreno. Se a giocare sul trampolino sono bambini piccoli, potrebbero aver bisogno di aiuto per salire e scendere.

**Consumo di alcol e droghe:** NON consumare alcol o droghe durante l'utilizzo del trampolino! Ciò aumenterà il rischio di infortunio in quanto queste sostanze estranee compromettono il giudizio, i tempi di reazione e il coordinamento fisico generale.

**Colpi sulla struttura delle molle:** durante il gioco sul trampolino, RESTARE al centro del tappeto elastico. Questo ridurrà il rischio di infortunio dovuto all'atterraggio sulla struttura delle molle. Fare in modo che l'imbottitura del telaio copra sempre il telaio del trampolino. NON saltare o calpestare direttamente sull'imbottitura del telaio in quanto non è destinata a sostenere il peso di una persona.

**Perdita di controllo:** NON tentare manovre difficili o qualsiasi altra manovra fino a quando non si padroneggia la manovra precedente o quando si sta ancora solo imparando a saltare su un trampolino. Il mancato rispetto di tale avvertenza aumenterà il rischio di infortunio, ad esempio atterrando sul telaio, sulle molle o cadendo dal trampolino a causa della perdita di controllo del salto. Per salto controllato si intende l'atterraggio nello stesso punto da cui è partito il salto. Se si perde il controllo mentre si salta sul trampolino, piegare bruscamente le ginocchia al momento dell'atterraggio; questo permetterà di riprendere il controllo e interrompere il salto.

**Salto mortali (capriole):** NON ESEGUIRE salti mortali di alcun tipo (indietro o in avanti) su questo trampolino. Commettere un errore durante un salto mortale, può causare l'atterraggio sulla testa o sul collo. Ciò aumenterà il rischio di fratture al collo o alla schiena, che possono causare morte o paralisi.

**Oggetti estranei:** NON utilizzare il trampolino se sono presenti animali domestici/altri animali, persone o oggetti al di sotto o all'interno del trampolino. Ciò aumenterà il rischio di infortunio. NON tenere in mano oggetti estranei e NON posizionare oggetti sul trampolino mentre qualcuno sta saltando. Mentre si gioca sul trampolino, tenere sempre presente ciò che si trova al di sopra di esso. I rami degli alberi, i cavi o altri oggetti situati sopra il trampolino aumentano il rischio di infortunio.

**Scarsa manutenzione del trampolino:** un trampolino in cattive condizioni aumenterà il rischio di lesioni. Il trampolino deve essere controllato prima di ogni utilizzo per verificare la presenza di tubi d'acciaio piegati, tappetini strappati, molle allentate o rotte e la stabilità complessiva del trampolino.

**Condizioni meteorologiche:** Mentre si gioca sul trampolino, tenere sempre presenti le condizioni meteorologiche. Non utilizzare il trampolino se il tappeto elastico è bagnato, in quanto il saltatore potrebbe scivolare e infortunarsi. In caso di forte vento, i saltatori possono perdere il controllo del salto.

**Limitazione di accesso:** quando il trampolino non è in uso, conservare sempre la scala di accesso in un luogo sicuro, in modo che i bambini non sorvegliati non possano accedere al trampolino.

#### CONSIGLI PER RIDURRE IL RISCHIO DI INCIDENTI

##### Ruolo del saltatore nella prevenzione degli incidenti

È fondamentale avere sempre il controllo dei salti. NON passare a manovre più complesse e più difficili fino a quando non si padroneggia il rimbalzo di base. Le istruzioni pertinenti sono molto importanti e fondamentali per la sicurezza.

Prima di utilizzare il trampolino, leggere, comprendere e mettere in pratica tutte le precauzioni di sicurezza e le avvertenze. Per salto controllato si intende l'atterraggio nello stesso punto da cui è partito il salto. Per ulteriori suggerimenti e istruzioni sulla sicurezza, contattare un istruttore certificato di trampolino.

#### **Ruolo del supervisore nella prevenzione degli incidenti**

Il supervisore deve comprendere e far rispettare tutte le norme e le linee guida sulla sicurezza. È responsabilità del supervisore fornire consulenza e orientamento esperti a tutti gli utenti del trampolino. Se la supervisione non è disponibile o è inadeguata, il trampolino deve essere smontato e conservato in un luogo sicuro per impedirne l'utilizzo non autorizzato, oppure coperto con un pesante telone che può essere bloccato o fissato con un lucchetto o delle catene. Il supervisore deve inoltre garantire che il cartello che riporta le disposizioni sulla sicurezza sia posizionato sul trampolino e che i saltatori siano informati di tali avvertenze e istruzioni.

## **4. ISTRUZIONI DI SICUREZZA DEL TRAMPOLINO**

### **Saltatori**

- Non utilizzare il trampolino dopo aver consumato alcol o droghe.
- Prima di utilizzare il trampolino rimuovere tutti gli oggetti taglienti dagli indumenti e dalla persona.
- La salita e la discesa dal trampolino devono avvenire in modo cauto e controllato. Non salire o scendere dal trampolino con un salto e non utilizzare mai il trampolino come un dispositivo per saltare sopra o dentro un altro oggetto.
- Imparare inizialmente il rimbalzo di base e padroneggiare ciascun tipo di salto prima di passare a tipi di rimbalzo più difficili e complessi. Consultare la sezione "Competenze di base" per imparare le nozioni fondamentali.
- Per interrompere il rimbalzo, flettere le ginocchia al momento dell'atterraggio con i piedi sul tappeto elastico.
- Mantenere sempre il controllo mentre si salta sul trampolino. Per salto controllato si intende l'atterraggio nello stesso punto da cui è partito il salto. Se in qualsiasi momento viene a mancare il controllo, provare a interrompere il rimbalzo.
- Non saltare o rimbalzare sul trampolino per lunghi periodi di tempo o troppo in alto per una serie di salti prolungata.
- Mantenere l'attenzione visiva sul tappeto elastico e mantenere il controllo. In caso contrario, è possibile perdere l'equilibrio o il controllo.
- Non consentire mai l'utilizzo da parte di più persone alla volta sul trampolino.
- Un supervisore deve essere sempre presente quando si utilizza il trampolino.

### **Supervisori**

Imparate voi stessi i salti di base e le norme di sicurezza. Per prevenire e ridurre il rischio di infortunio, fare rispettare tutte le norme di sicurezza e assicurarsi che i nuovi saltatori apprendano i rimbalzi di base prima di tentare salti più difficili e complessi.

- Tutti i saltatori devono essere supervisionati, a prescindere dall'età e dal loro livello di abilità.
- Non utilizzare mai il trampolino quando è bagnato, danneggiato, sporco o usurato. Il trampolino deve essere ispezionato prima che un saltatore inizi a rimbalzare su di esso.
- Rimuovere dal trampolino tutti gli oggetti che potrebbero interferire con il saltatore.
- Mentre si gioca sul trampolino, tenere sempre presente ciò che si trova al di sopra, intorno e sotto di esso.
- Per prevenire l'utilizzo non autorizzato e non supervisionato, riporre il trampolino in un luogo sicuro, quando non è in uso.

## 5. POSIZIONAMENTO DEL TRAMPOLINO

Lo spazio minimo superiore richiesto è di 7,3 metri (24 piedi) e una distanza di 2 metri intorno al perimetro del trampolino. In termini di spazio orizzontale, assicurarsi che non vi siano oggetti pericolosi vicino al trampolino come rami di alberi, altri oggetti ricreativi (ad esempio: altalene, piscine), cavi elettrici, pareti, recinzioni, ecc.

Per un uso sicuro del trampolino, quando si sceglie dove posizionarlo, tenere presente quanto segue:

- Assicurarsi che venga posizionato su una superficie piana.
- L'area deve essere ben illuminata.
- Non sono presenti ostacoli sotto il trampolino.

Non seguire queste linee guida aumenta il rischio di infortunio.

## 6. GARANZIA

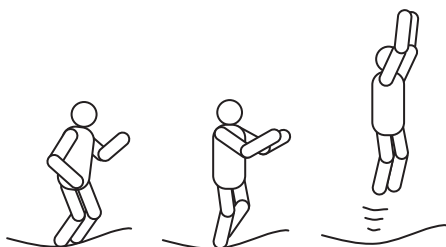
Per le informazioni sulla garanzia, visitare il nostro sito [www.salta.com](http://www.salta.com).

La garanzia può essere richiesta presentando la fattura originale. La garanzia è applicabile solo ai difetti di materiale e costruzione in relazione al prodotto o ai suoi componenti. La garanzia non è applicabile: Se il prodotto viene utilizzato in modo errato, negligente o inappropriato.

- Se il prodotto viene utilizzato in modo errato, negligente o inappropriato.
- Se il prodotto non è installato secondo le istruzioni / manutenzione.
- Se il prodotto viene interrato.
- In caso di difetti causati da fattori esterni (ad esempio, condizioni climatiche come l'invecchiamento dovuto agli agenti atmosferici e ai raggi UV o a una normale usura).
- In caso di alterazioni e modifiche del trampolino, che non sono consentite.
- Se il prodotto viene utilizzato per il pubblico o per il settore ricreativo.
- Se le parti difettose vengono sostituite con parti di ricambio non originali Salta.

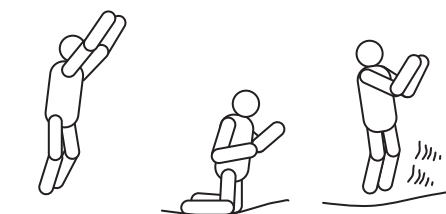
## 7. RIMBALZI DI BASE DEL TRAMPOLINO

### RIMBALZO DI BASE



1. Partire da una posizione eretta, piedi distanziati in linea con le spalle, talloni sollevati e attenzione visiva sul tappeto elastico.
2. Muovere le braccia in avanti, quindi in alto e lateralmente con un movimento circolare.
3. Quando ci si trova a mezz'aria, unire i piedi e puntare le dita in avanti.
4. Mantenere i piedi in linea con le spalle quando si atterra sul tappeto elastico.

### RIMBALZO SULLE GINOCCHIA



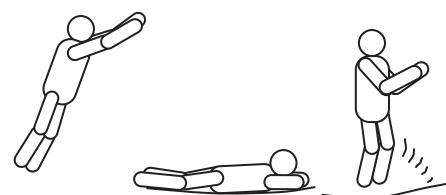
1. Partire con un rimbalzo di base mantenendolo basso.
2. Atterrare sulle ginocchia mantenendo la schiena dritta, il corpo eretto e utilizzare le braccia per mantenere l'equilibrio.
3. Rimbalzare nella posizione di base muovendo le braccia in alto.

### RIMBALZO SEDUTO



1. Atterrare in posizione piana e seduta.
2. Posizionare le mani sul tappeto elastico accanto ai fianchi
3. Tornare in posizione eretta spingendo con le mani.

### RIMBALZO FRONTALE



1. Partire in posizione di rimbalzo frontale.
2. Atterrare in posizione prona (a faccia in giù) e mantenere mani e braccia distese in avanti sul tappeto elastico.
3. Per tornare in posizione eretta, spingere sul tappeto elastico con le braccia.

### SALTO A 180 GRADI



1. Partire in posizione di rimbalzo frontale.
2. Spingere di lato le mani e le braccia, a sinistra o destra (a seconda della direzione in cui si vuole girare).
3. Mantenere la testa e le spalle nella stessa direzione e la schiena parallela al tappeto elastico con la testa verso l'alto.
4. Atterrare in posizione prona e ritornare in posizione eretta spingendo con le mani e le braccia.

## 8. CURA E MANUTENZIONE

Questo trampolino è stato progettato e realizzato con materiali di qualità e perizia di alto livello. Cura e manutenzione adeguate, oltre a ridurre il rischio di infortunio, garantiranno ai saltatori anni di esercizio, divertimento e svago. Verificare e prendersi cura delle parti principali (telaio, sistema di sospensione, tappeto elastico e imbottitura) all'inizio di ogni stagione e anche a intervalli regolari. Se questi controlli non vengono effettuati, il trampolino può diventare pericoloso. Seguire le linee guida esposte di seguito:

Questo trampolino è progettato per sostenere una determinata quantità di peso e utilizzo. Assicurarsi che il trampolino venga utilizzato da una persona alla volta. Quando i saltatori usano il trampolino, devono indossare preferibilmente calzini o essere scalzi. Tenere presente che le scarpe da strada o da tennis NON devono essere indossate durante l'uso del trampolino. Al fine di evitare che il tappeto elastico si tagli o venga danneggiato, non consentire l'accesso agli animali sul tappeto. Inoltre, i saltatori devono rimuovere tutti gli oggetti taglienti dagli indumenti e dalla persona prima di usare il trampolino. Qualsiasi tipo di oggetto appuntito o tagliente deve essere sempre tenuto lontano dal tappeto elastico.

Conservare il presente manuale per riferimento futuro. Ispezionare sempre il trampolino prima di ogni utilizzo per verificare la presenza di parti usurate, danneggiate o mancanti. Potrebbero insorgere una serie di condizioni che possono aumentare il rischio di infortunio. È importante essere consapevoli di quanto segue:

- Verificare il serraggio di tutti i dadi e i bulloni e serrarli ove necessario.
- Controllare che tutti i giunti a molla (perni di fissaggio) siano ancora intatti e non rischino di sganciarsi durante il gioco.
- Verificare tutti i rivestimenti e gli spigoli vivi e sostituire ove necessario.
- In alcuni Paesi, durante il periodo invernale, l'eventuale carico di neve e le temperature particolarmente rigide possono danneggiare il trampolino. Si raccomanda di rimuovere la neve e conservare il tappeto elastico in un luogo chiuso.
- Verificare che l'imbottitura non presenti difetti; NOTA: luce solare, pioggia, neve e temperature estreme riducono col tempo la robustezza di queste parti.
- Sostituire la rete ogni 2 anni di utilizzo o quando non funziona più in modo corretto.
- Fori, buchi o lacerazioni nel tappeto elastico del trampolino.
- Affossature del tappeto elastico del trampolino.
- Cuciture allentate o qualsiasi altro tipo di deterioramento del tappeto elastico.
- Parti del telaio piegate o rotte, come ad esempio le gambe.
- Molle rotte, mancanti o danneggiate.
- Imbottitura del telaio danneggiata, mancante o fissata in modo non sicuro.
- Parti del telaio, molle o tappeto elastico in vista.
- Assicurarsi che le chiusure a strappo siano chiuse correttamente durante l'utilizzo del trampolino.

**! In presenza di una delle condizioni precedenti o qualsiasi altro fattore che lasci supporre la possibilità di danni a qualsiasi utente, il trampolino deve essere smontato o riposto in modo che non possa essere utilizzato fino a quando tali condizioni non vengano risolte.**

### In caso di vento

In condizioni di forte vento, il trampolino può venire sollevato e spostato. Per aumentarne la sicurezza, si consiglia di utilizzare il set di ancoraggio ufficiale di Salta. Se si prevedono condizioni di forte vento, il trampolino deve essere spostato in un'area riparata o smontato.

### Spostamento del trampolino

Se si rende necessario spostare il trampolino, tale operazione va condotta da due persone. Durante lo spostamento, sollevare leggermente il trampolino da terra e mantenerlo orizzontale rispetto al terreno. Per qualsiasi altro tipo di spostamento, sarà necessario smontare il trampolino.



## 1. WPROWADZENIE

Przed użyciem trampoliny należy uważnie przeczytać wszystkie informacje zawarte w tej instrukcji. Podobnie jak podczas innych aktywności rekreacyjnych, podczas korzystania z trampoliny można ulec zranieniu. Należy przestrzegać zasad zachowania bezpieczeństwa i korzystać z porad, aby ograniczyć ryzyko zranienia.

- Zalecane jest korzystanie z rękawic podczas montażu produktów.
- Nie wolno ustawiać trampoliny na podłożu wykonanym z betonu, asfaltu lub innego twardego materiału.
- Nieprawidłowe korzystanie z trampoliny może spowodować poważne obrażenie!
- Sprężynujący mechanizm trampoliny unosi użytkownika na znaczną wysokość oraz w różne pozycje.
- Przed użyciem trampoliny należy zawsze skontrolować jej stan techniczny w celu oceny zużycia maty i wykrycia poluzowania lub braku części.
- Silny wiatr i podmuchy mogą spowodować przemieszczenie trampoliny. Firma Salta zaleca zabezpieczenie trampoliny przy użyciu elementów kotwiących lub worków z piaskiem oraz usunięcie siatki ochronnej i siatki sprężynującej.
- Instrukcja zawiera informacje dotyczące prawidłowego montażu, obsługi i konserwacji produktu oraz porady dotyczące bezpieczeństwa, ostrzeżenia i opisy prawidłowych metod korzystania z trampoliny. Wszyscy użytkownicy i osoby nadzorujące muszą przeczytać te instrukcje. Użytkownicy trampoliny muszą pamiętać o ograniczeniach akrobacji, które można wykonywać przy użyciu tej trampoliny.

### OSTRZEŻENIE

- OSTRZEŻENIE! Przed użyciem trampoliny należy przeczytać instrukcje.
- OSTRZEŻENIE! Zakaz wykonywania salt.
- OSTRZEŻENIE! Tylko jeden użytkownik. Zagrożenie zderzeniem.
- OSTRZEŻENIE!

FIRST CLASS	WYMIARY	WAGA MAKSYMALNA
5371 / 5372 / 5941	251 cm / 305 cm / 487 cm	150 kg
5373 / 5374	366 cm / 427 cm	180 kg

- OSTRZEŻENIE! Przed rozpoczęciem skoków należy zawsze zamykać otwór w siatce.
- OSTRZEŻENIE! Produkt przeznaczony wyłącznie do użytku domowego.
- OSTRZEŻENIE! Produkt przeznaczony wyłącznie do użytku poza budynkami.
- OSTRZEŻENIE! Przed użyciem trampoliny należy zdjąć obuwie, aby zapobiec nadmiernemu zużyciu materiału maty.
- OSTRZEŻENIE! Nie wolno używać wilgotnej maty.
- OSTRZEŻENIE! Trampolina powinna być zmontowana przez osobę pełnoletnią zgodnie z instrukcjami, a następnie sprawdzona przed pierwszym użyciem.
- OSTRZEŻENIE! Przed użyciem trampoliny należy opróżnić kieszenie i odłożyć przedmioty trzymane w dłoniach.
- OSTRZEŻENIE! Zawsze należy wykonywać skoki w centrum maty.
- OSTRZEŻENIE! Nie wolno spożywać posiłków podczas korzystania z trampoliny.
- OSTRZEŻENIE! Nie wolno zeskakiwać z trampoliny.
- OSTRZEŻENIE! Przy silnym wietrze nie wolno używać trampoliny i należy ją zabezpieczyć.
- OSTRZEŻENIE! Należy ograniczyć czas ciągłego użytkowania produktu (wymagane są regularne przerwy).
- OSTRZEŻENIE! Wymagany jest nadzór ze strony osoby pełnoletniej.
- OSTRZEŻENIE! Produkt nieodpowiedni dla dzieci w wieku poniżej 36 miesięcy. Zagrożenie zadławieniem. Małe elementy.
- Trampolina nie jest przystosowana do wkopywania w podłoże.
- Siatkę należy wymieniać co dwa lata.
- Nie wolno modyfikować trampoliny.
- Należy zachować podręcznik konserwacji.

- Nakrętek samozabezpieczających należy używać tylko do jednorazowej konfiguracji.
- Nieprawidłowe korzystanie z trampoliny może spowodować poważne zranienie.
- Przed użyciem należy sprawdzać wyposażenie i wymieniać zużyte, wadliwe lub brakujące części.
- Należy przestrzegać wszystkich zaleceń dotyczących bezpieczeństwa, dostarczonych razem z tym produktem.
- Produkt nieodpowiedni dla dzieci w wieku poniżej 36 miesięcy ze względu na brak umiejętności.
- Chronić przed ogniem.
- Nie wolno obciążać, kopać lub przecinać siatki ochronnej ani wspinać się na nią.
- Należy używać odzieży bez troczków, zaczepów, pętelek lub innych elementów, które mogą zaczepić się o barierkę.
- Nie wolno mocować do trampoliny żadnych przedmiotów, które nie są akcesoriami zatwierdzonymi przez producenta.
- Do obudowy można wchodzić tylko przed drzwiczki lub służącą do tego barierkę.
- Przed sesją aktywności fizycznej należy zawsze skonsultować się z lekarzem.

## 2. KORZYSTANIE Z TRAMPOLINY

Początkowo należy przywyknąć do sposobu funkcjonowania trampoliny. Należy skoncentrować się na ułożeniu ciała i doskonalić podstawowe skoki, aby nauczyć się jak precyzyjnie kontrolować wykonywane czynności.

**Aby przerwać skoki, wystarczy ugiąć kolana przed zetknięciem się ich z matą trampoliny.** Tę technikę należy ćwiczyć podczas nauki podstawowych skoków i stosować zawsze w przypadku utraty równowagi lub kontroli nad skokami.

Należy zawsze rozpoczynać naukę od najprostszych skoków, aby w pełni kontrolować je przed przejściem do trudniejszych i bardziej zaawansowanych akrobacji. **Skoki są kontrolowane, gdy użytkownik nie przemieszcza się na trampolinie (wykonuje skoki w tym samym wybranym miejscu).** Przejście do kolejnej akrobacji bez opanowania poprzedniej zwiększa ryzyko obrażeń.

Nie wolno korzystać z trampoliny przez dłuższy czas, ponieważ zmęczenie zwiększa ryzyko obrażeń. Należy korzystać z trampoliny przez chwilę, a następnie zaprosić inne osoby do zabawy! Na trampolinie powinna zawsze znajdować się tylko jedna osoba.

Osoby korzystające z trampoliny powinny być ubrane w koszulki z krótkimi rękawami, szorty lub bluzy sportowe, powinny nosić przepisowe obuwie sportowe, grube skarpety albo korzystać z trampoliny boso. Początkujący użytkownicy mogą być ubrani w koszule z długimi rękawami i spodnie, zabezpieczające przed skaleczeniami i otarciami, do momentu opanowania techniki skoków. Nie wolno używać na trampolinie obuwia z twardymi podeszwami, takiego jak buty do gry w tenisa, ponieważ powoduje to nadmierne zużycie materiału maty.

Należy zawsze prawidłowo wchodzić i schodzić z trampoliny, aby zapobiec obrażeniom. Aby prawidłowo wejść na trampolinę należy oprzeć dłoń na jej ramie i wejść lub przetoczyć się na nią, przejść nad sprężynami, a następnie na matę trampoliny. Zawsze należy pamiętać o oparciu dłoni na ramie podczas wchodzenia na trampolinę i schodzenia z niej. Nie wolno wchodzić bezpośrednio na ramę ani chwycić za jej osłonę. Aby prawidłowo zejść z trampoliny należy zbliżyć się do jej krawędzi, oprzeć dłoń na ramie i zejść z maty na podłoże. Mniejsze dzieci powinny korzystać z pomocy innych osób podczas wchodzenia i schodzenia z trampoliny.

Nie wolno nierozważnie korzystać z trampoliny, ponieważ zwiększa to ryzyko obrażeń. Największe znaczenie dla bezpiecznego i radosnego korzystania z trampoliny ma zachowanie kontroli i umiejętne wykonywanie skoków. Nie wolno dążyć do pokonania innych osób pod względem wysokości skoków! Nie wolno używać trampoliny bez nadzoru ze.

### 3. RODZAJE WYPADKÓW

**Wchodzenie i schodzenie z trampoliny:** Należy zachować ostrożność podczas wchodzenia i schodzenia z trampoliny. Podczas wchodzenia na trampolinę NIE WOLNO chwycić za osłonę ramy, stawać na sprężynach ani wskakiwać bezpośrednio na matę trampoliny z innych obiektów (takich jak platforma, dach lub drabina). Takie postępowanie zwiększa ryzyko obrażeń! Podczas schodzenia z trampoliny NIE wolno zeskakiwać na podłoże niezależnie od jego rodzaju. Jeżeli trampolina jest używana przez małe dzieci do zabawy, należy służyć im pomocą podczas wchodzenia lub schodzenia z trampoliny.

**Alkohol lub środki odurzające:** NIE WOLNO spożywać alkoholu lub środków odurzających podczas korzystania z trampoliny! Takie postępowanie zwiększa ryzyko obrażeń, ponieważ substancje tego typu ograniczają zdolność do prawidłowej oceny sytuacji, spowalniają reakcje i pogarszają ogólną koordynację.

**Uderzenie w ramę sprężyn:** Korzystając z trampoliny, NALEŻY ZOSTAĆ w centrum maty, aby ograniczyć ryzyko obrażeń na skutek upadku na ramę sprężyn. Należy zawsze zakładać osłonę na ramę trampoliny. NIE WOLNO wskakiwać ani wchodzić bezpośrednio na osłonę ramy, ponieważ nie jest ona przystosowana do utrzymania ciężaru osoby.

**Utrata równowagi:** NIE WOLNO wykonywać trudnych akrobacji. Łatwe akrobacje mogą wykonywać tylko osoby, które opanowały już podstawowe techniki. Ignorowanie tego zalecenia spowoduje zwiększenie ryzyka obrażeń na skutek utraty równowagi i upadku na ramę, sprężyny albo całkowitego upadku z trampoliny na skutek utraty kontroli nad skokiem. Skoki są kontrolowane, gdy użytkownik nie przemieszcza się na trampolinie (wykonuje skoki w tym samym wybranym miejscu). W przypadku utraty równowagi podczas skoków na trampolinie należy ugiąć kolana przed opadnięciem na matę, aby odzyskać równowagę i zakończyć skoki.

**Salta (przewroty):** NIE WOLNO WYKONYWAĆ salt (przewrotów do tyłu lub do przodu) na tej trampolinie. Popełnienie błędu podczas próby wykonania salta może spowodować upadek na głowę lub szyję. Zwiększa to ryzyko urazu szyi lub pleców, a nawet paraliżu lub zgonu.

**Osoby / zwierzęta / przedmioty w pobliżu trampoliny:** NIE WOLNO używać trampoliny, jeżeli zwierzęta, osoby lub przedmioty znajdują się pod lub na trampolinie. Zwiększa to ryzyko wystąpienia obrażeń. NIE WOLNO trzymać żadnych przedmiotów w dłoniach ani umieszczać na trampolinie, gdy jest ona używana przez inną osobę. Podczas korzystania z trampoliny należy zwracać uwagę na obiekty znajdujące się ponad nią. Gałęzie drzew, kable lub inne obiekty ponad trampoliną zwiększają ryzyko obrażeń.

**Złe utrzymanie stanu trampoliny:** Trampolina w złym stanie zwiększa ryzyko kontuzji. Trampolina powinna być sprawdzana przed każdym użyciem pod kątem wygiętych rur stalowych, podartych mat, luźnych lub pękniętych sprężyn oraz ogólnej stabilności trampoliny.

**Warunki atmosferyczne:** Podczas korzystania z trampoliny należy zwracać uwagę na warunki atmosferyczne. Nie wolno używać trampoliny, jeżeli jest mokra, ponieważ może to spowodować poślizgnięcie i obrażenia. Zbyt silny, może spowodować utratę kontroli nad skokami.

**Ograniczanie dostępu:** Gdy trampolina nie jest używana, należy zawsze przechowywać drabinę w bezpiecznym miejscu, aby uniemożliwić dzieciom używanie trampoliny do zabawy bez nadzoru.

#### PORADY DOTYCZĄCE ZAPOBIEGANIA WYPADKOM

##### Udział użytkowników w zapobieganiu wypadkom

Największe znaczenie ma zachowanie kontroli nad skokami. NIE WOLNO wykonywać bardziej złożonych i trudnych akrobacji bez uprzedniego opanowania podstawowych technik.

Edukacja stanowi podstawę dla bezpieczeństwa i jest bardzo ważna. Przed użyciem trampoliny należy przeczytać, rozważyć i zastosować wszystkie zalecenia dotyczące bezpieczeństwa oraz ostrzeżenia. Skoki są kontrolowane, gdy użytkownik nie przemieszcza się na trampolinie (wykonuje skoki w tym samym wybranym miejscu). Aby uzyskać więcej porad dotyczących bezpieczeństwa należy skontaktować się z dyplomowanym instruktorem sportowym.

#### **Rola osoby nadzorującej w zapobieganiu wypadkom**

Osoba nadzorująca musi rozważyć i zastosować wszystkie zasady i zalecenia dotyczące bezpieczeństwa. Jej obowiązkiem jest udzielanie przydatnych porad i zaleceń wszystkim użytkownikom trampoliny. Jeżeli nie można zapewnić odpowiedniego nadzoru, należy zdemontować trampolinę i umieścić ją w bezpiecznym miejscu, aby zapobiec nieautoryzowanemu użyciu lub przykryć ją grubym brezentem, który można przymocować albo zabezpieczyć kłódką lub łańcuchem. Osoba nadzorująca jest też zobowiązana do odpowiedniego oznaczenia trampoliny i przekazania wszystkich tych ostrzeżeń i instrukcji.

## **4. BEZPIECZNE KORZYSTANIE Z TRAMPOLINY**

### **Użytkownicy**

- Nie wolno używać trampoliny po spożyciu alkoholu lub środków odurzających.
- Przed skorzystaniem z trampoliny należy odłożyć wszystkie ostre przedmioty.
- Należy zawsze prawidłowo wchodzić na trampolinę i schodzić z niej. Nie wolno wskakiwać na trampolinę, zeskakiwać z niej ani używać jej do wskakiwania na inne obiekty.
- Przed wykonaniem trudniejszych skoków należy opanować podstawowe techniki skoków. Aby uzyskać więcej informacji na temat podstawowych skoków przejdź do sekcji Podstawowe umiejętności.
- Aby przerwać skoki wystarczy ugiąć kolana przed zetknięciem się stóp z matą trampoliny.
- Zawsze należy kontrolować skoki na trampolinie. Skoki są kontrolowane, gdy użytkownik nie przemieszcza się na trampolinie (wykonuje skoki w tym samym wybranym miejscu). W przypadku utraty kontroli nad skokami należy przerwać skoki.
- Nie wolno skakać przez dłuższy czas lub zbyt wysoko i zbyt wiele razy.
- Wzrok powinien być skierowany na matę w celu utrzymania kontroli. Ignorowanie tego zalecenia może spowodować utratę równowagi lub kontroli nad skokami.
- Nie wolno dopuścić do użycia trampoliny przez więcej niż jedną osobę równocześnie.
- W pobliżu zawsze powinna być obecna osoba nadzorująca korzystanie z trampoliny.

### **Osoby nadzorujące**

Należy poznać podstawowe techniki skoków i zasady bezpieczeństwa. Aby zapobiec obrażeniom i ograniczyć ryzyko zranienia, należy stosować wszystkie zasady bezpieczeństwa i upewnić się, że nowi użytkownicy trampoliny znają podstawowe techniki skoków przed wykonaniem trudniejszych i bardziej złożonych skoków.

- Wszyscy użytkownicy trampoliny powinni być nadzorowani, niezależnie od poziomu ich umiejętności lub wieku.
- Nie wolno używać mokrej, uszkodzonej, brudnej lub zużytej trampoliny. Przed rozpoczęciem użytkowania trampoliny należy ją sprawdzić.
- W pobliżu trampoliny nie powinny znajdować się żadne przedmioty utrudniające korzystanie z trampoliny.
- Należy zwracać uwagę na obiekty znajdujące się ponad trampoliną, pod nią i wokół niej.
- Aby zapobiec użyciu trampoliny bez nadzoru lub autoryzacji, należy ją zabezpieczyć, gdy nie jest używana.

## 5. WYBÓR LOKALIZACJI TRAMPOLINY

Wymagana minimalna wysokość wolnej przestrzeni ponad trampoliną wynosi 7,3 metra (24 stopy) a odstęp od obiektów znajdujących się wokół trampoliny powinien wynosić 2 metry. Aby zapewnić odpowiedni odstęp wokół trampoliny należy usunąć z jej otoczenia niebezpieczne obiekty, takie jak gałęzie drzew, inne wyposażenie rekreacyjne (np. huśtawki lub baseny kąpielowe), kable elektryczne, ściany lub ogrodzenia.

Aby bezpiecznie korzystać z trampoliny należy uwzględnić następujące zalecenia podczas wyboru jej lokalizacji:

- Podłoże powinno być poziome.
- Obszar powinien być odpowiednio wentylowany.
- Pod trampoliną nie powinny znajdować się żadne obiekty.

Nieznajomość tych zaleceń zwiększa ryzyko zranienia.

## 6. GWARANCJA

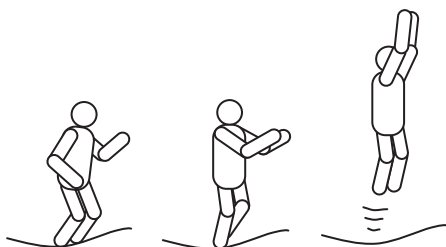
Aby uzyskać informacje dotyczące gwarancji, skorzystaj z naszej witryny internetowej [www.salta.com](http://www.salta.com).

Aby skorzystać z usług gwarancyjnych należy okazać oryginalny dowód zakupu. Gwarancja dotyczy tylko defektów w zakresie materiałów i wykonania produktu lub jego części. Gwarancja jest anulowana w następujących okolicznościach:

- Nieprawidłowe użytkowanie lub zaniedbanie produktu.
- Montaż produktu niezgodnie z instrukcjami.
- Produkt jest montowany w wykopie w podłożu.
- Defekty wynikające z czynników zewnętrznych (np. starzenie się w warunkach atmosferycznych na skutek promieniowania UV lub naturalne zużycie).
- Dokonanie zabronionych zmian lub modyfikacji trampoliny.
- Użycie produktu na rynku publicznym lub rekreacyjnym.
- Wykonanie napraw urządzenia przy użyciu części, które nie są oryginalnymi produktami firmy Salta.

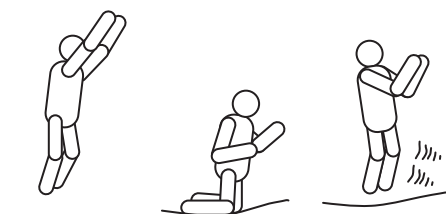
## 7. PODSTAWOWE SKOKI NA TRAMPOLINIE

### SKOK PODSTAWOWY



1. Rozpocznij od pozycji stojącej ze stopami rozstawionymi na szerokość ramion i wzrokiem skierowanym na matę.
2. Wykonaj kolisty wymach rękami do przodu, a następnie w górę i na bok.
3. Zsuń stopy po uniesieniu się ponad trampolinę i skieruj palce stóp w dół.
4. Utrzymaj stopy rozstawione na szerokość ramion podczas opadania na matę.

### PAD NA KOLANA



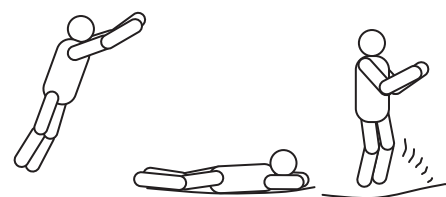
1. Rozpocznij od skoku podstawowego i kontynuuj niskie wyskoki.
2. Wykonaj pad na kolana z wyprostowanymi plecami, balansując przy użyciu ramion.
3. Wykonaj wymach ramionami, aby kontynuować skoki podstawowe.

### SIAD PROSTY



1. Wykonaj pad w pozycji siedzącej z wyprostowanymi plecami.
2. Ułóż dłonie na macie przy biodrach.
3. Naciśnij matę rękami, aby przyjąć ponownie pozycję stojącą.

### PAD NA BRZUCH



1. Rozpocznij od pozycji do padu na brzuch.
2. Wykonaj pad prosty z twarzą skierowaną w dół i ramionami wyciągniętymi do przodu na macie.
3. Naciśnij matę ramionami, aby przyjąć ponownie pozycję stojącą.

### OBRÓT O 180 STOPNI



1. Rozpocznij od pozycji do padu na brzuch.
2. Naciśnij matę lewą lub prawą ręką (zależnie odżądanego kierunku obrotu).
3. Utrzymaj głowę i ramiona skierowane w tym samym kierunku, a plecy równoległe do maty i głowę uniesioną.
4. Wykonaj pad na brzuch i naciśnij matę rękami, aby przyjąć ponownie pozycję stojącą.

## 8. KONSERWACJA

Trampolina została zaprojektowana i wykonana przez specjalistów z materiałów o wysokiej jakości. Prawidłowa konserwacja umożliwi bezawaryjne funkcjonowanie urządzenia przez wiele lat i rozrywkę bez ryzyka zranienia. Należy sprawdzać i konserwować główne części (ramę, zawieszenie, matę i okładzinę) na początku każdego sezonu i regularnie przez cały sezon. Ignorowanie tego zalecenia może spowodować zagrożenie. Należy przestrzegać następujących zaleceń:

Trampolina jest przystosowana do określonego obciążenia i przeznaczona do określonych zastosowań. Trampolina nie powinna być używana przez kilka osób równocześnie. Z trampoliny należy korzystać w skarpetkach lub boso. NIE wolno wchodzić na trampolinę w butach ulicznych lub tenisowych. Nie wolno dopuszczać do wchodzenia zwierząt domowych na matę trampoliny, ponieważ może to spowodować jej przecięcie lub uszkodzenie. Przed użyciem trampoliny należy odłożyć ostre przedmioty. Nie wolno umieszczać ostrych przedmiotów na macie trampoliny.

Tę instrukcję należy zachować do celów referencyjnych. Zawsze przed użyciem należy sprawdzać trampolinę w celu wykrycia zużytych, uszkodzonych lub brakujących części. Należy uwzględnić następujące zagrożenia:

- Należy sprawdzać, czy wszystkie nakrętki i śruby są prawidłowo dokręcone, i dokręcać je, jeżeli jest to konieczne.
- Należy sprawdzać, czy wszystkie złącza sprężynowe są prawidłowe i nie zostaną rozłączone podczas użytkowania urządzenia.
- Należy sprawdzać wszystkie osłony i ostre krawędzie, jeżeli jest to konieczne.
- W niektórych krajach w okresie zimowym obciążenie śniegiem i bardzo niska temperatura mogą spowodować uszkodzenie trampoliny. Zalecane jest odśnieżanie i przechowywanie maty w budynkach.
- Należy sprawdzać, czy stan maty i okładziny jest prawidłowy. UWAGA: światło słoneczne, deszcz, śnieg i ekstremalne temperatury zmniejszają wytrzymałość tych części wraz z upływem czasu.
- Siatkę należy wymieniać co dwa lata użytkowania, gdy nie funkcjonuje już prawidłowo.
- Otwory lub rozdarcia w macie trampoliny.
- Deformacje maty trampoliny.
- Poluzowane szwy lub zniszczenie maty.
- Wygięte lub uszkodzone części ramy, takie jak wsporniki.
- Uszkodzone, brakujące lub zniszczone sprężyny.
- Zniszczona, brakująca lub nieprawidłowo przymocowana osłona ramy.
- Odchylone części ramy, sprężyn lub maty.
- Należy upewnić się, że złącza z zaczepami i pętlami są zamknięte podczas korzystania z trampoliny.

**Jeżeli zostaną wykryte powyższe usterki lub inne defekty, które mogą spowodować zranienie użytkowników, należy zdemontować trampolinę lub zablokować dostęp do niej do chwili, gdy usterki zostaną usunięte.**

### Silny wiatr

Silny wiatr może uszkodzić trampolinę. Aby lepiej zabezpieczyć urządzenie należy użyć oficjalnego zestawu elementów kotwiących Salta Anchor. Jeżeli prognozy pogody przewidują silny wiatr, należy przenieść trampolinę w bezpieczne miejsce lub zdemontować.

### Przenoszenie trampoliny

Jeżeli konieczne jest przeniesienie trampoliny, należy skorzystać z pomocy drugiej osoby. Podczas przenoszenia trampoliny należy nieznacznie podnieść ją nieznacznie ponad podłoże i utrzymywać poziomo względem podłoża. Aby przenieść trampolinę w inny sposób, należy ją zdemontować.

## 1. ВСТУП

Перш ніж почати користуватися цим батутом, обов'язково уважно прочитайте всю інформацію, зазначену в цьому посібнику. Стрибки на батуті, як і будь-який інший вид фізичної рекреаційної активності, можуть призвести до травмування. Щоб зменшити ризик отримання травми, обов'язково дотримуйтеся наданих рекомендацій і правил техніки безпеки.

- Під час встановлення батута рекомендується користуватися рукавичками.
- Не встановлюйте батут на бетон, асфальт або будь-яку іншу тверду поверхню.
- Неправильне й неналежне використання цього батута небезпечне й може призвести до серйозних травм.
- Батут — це пружинний пристрій, на якому користувач може виконувати стрибки незвично високої амплітуди й здійснювати різноманітні рухи тілом.
- Завжди оглядайте батут перед кожним використанням на наявність зношених матів, незакріплених або відсутніх деталей.
- Сильний вітер і його пориви можуть призвести до зміщення батута. Компанія Salta рекомендує закріпити батут з допомогою розпірок або мішків із піском, а також зняти захисну і стрибкову сітку.
- Цей посібник містить інформацію щодо правильного встановлення, догляду й обслуговування виробу, рекомендації щодо безпеки, попередження, а також інструкцію з правильної техніки стрибків на батуті. Кожен, хто вирішить користуватися цим батутом, повинен знати й розуміти власні обмеження щодо виконання різноманітних стрибків і пружинних рухів на ньому.

### УВАГА ⚠

- УВАГА! Перед користуванням цим батутом прочитайте інструкцію.
- УВАГА! Виконувати сальто заборонено.
- УВАГА! Лише один користувач. Небезпека зіткнення.
- УВАГА!

FIRST CLASS	РОЗМІ	МАКСИМАЛЬНА ВАГА
5371 / 5372 / 5941	251 cm / 305 cm / 487 cm	150 kg
5373 / 5374	366 cm / 427 cm	180 kg

- УВАГА! Завжди закривайте отвір сітки перед стрибками.
- УВАГА! Лише для домашнього використання.
- УВАГА! Лише для використання поза приміщеннями.
- УВАГА! Не користуйтеся батутом у взутті, оскільки це призведе до швидкого зношування покриття мату.
- УВАГА! Не використовуйте мат, коли він мокрий.
- УВАГА! Батут повинен бути змонтований дорослою людиною відповідно до інструкції з монтажу й перевірений перед першим користуванням.
- УВАГА! Під час стрибків ви нічого не повинні тримати в руках, кишені повинні бути порожні.
- УВАГА! Завжди стрибайте в центрі мату.
- УВАГА! Не їжте під час стрибків.
- УВАГА! Не вистрибуйте з батута на землю.
- УВАГА! Не користуйтеся батутом під час сильного вітру й надійно закріпіть його.
- УВАГА! Обмежте час безперервного користування батутом (робіть регулярні перерви).
- УВАГА! Потребує нагляду дорослих.
- УВАГА! Не підходить для дітей віком до 36 місяців. Небезпека задусення. Дрібні складові.
- Батут не призначений для закопування в землю.
- Сітку слід замінювати кожні 2 роки.



- Батут не підлягає модифікації.
- Зберігайте цю інструкцію з обслуговування.
- Самоблокувальні гайки можна використовувати тільки для одноразового встановлення.
- Неправильне й неналежне використання цього батута може призвести до серйозних травм.
- Перед використанням огляньте й замініть всі зношені й пошкоджені деталі; доукомплектуйте відсутні деталі.
- Дотримуйтеся всіх вимог безпеки, зазначених в інструкції користувача.
- Не підходить для дітей віком до 36 місяців через відсутність навичок.
- Тримайте подалі від вогню.
- Не повисайте на захисній сітці, не пошкоджуйте її ногами, не ріжте й не вилазьте на неї.
- Переконайтеся, що на вашому одязі немає зав'язок, гачків, петель або будь-чого, що може зачепитися за захисний бар'єр.
- Не прикріплюйте до батута нічого, що не є схваленим виробником аксесуаром.
- Заходьте й виходите з огорожі тільки через двері огорожі або призначений для цієї мети отвір у захисному бар'єрі.
- Завжди консультируйтесь з лікарем/фізіотерапевтом перед виконанням будь-якого виду фізичної активності.

## 2. ІНСТРУКЦІЯ КОРИСТУВАЧА БАТУТА

Спочатку ви повинні звикнути до нових відчуттів від стрибків на батуті. Головну увагу слід зосередити на основних положеннях тіла, ви повинні тренувати кожен стрибок (основні стрибки), поки не зможете виконувати кожен з них невимушено й координовано.

**Щоб загальмувати стрибок, вам достатньо різко зігнути коліна, перш ніж вони торкнуться покриття батута.** Цю техніку слід тренувати під час вивчення всіх основних стрибків. Навичку гальмування слід застосовувати щоразу, коли ви втрачаєте рівновагу або контроль над стрибком.

Спочатку вивчайте найпростіші стрибки й опануйте контроль над ними, перш ніж переходити до важчих і складніших, у технічному плані, стрибків. **Контрольованим стрибком вважається приземлення на те саме місце, з якого ви стрибнули.** Якщо ви переходите до наступного стрибка, не опанувавши попередній, ви збільшуєте ризик отримання травми.

Не стрибайте на батуті протягом тривалого часу, оскільки втома збільшує ймовірність отримання травми. Ваші заняття на батуті не повинні тривати довго, — дозвольте повтішатися стрибками й іншим! Ніколи не дозволяйте, щоб на батуті стрибало більше однієї людини.

З одягу для занять на батуті найкраще підійдуть футболки, шорти або спортивні штани; взуття краще обрати гімнастичне або щільні шкарпетки. Ви також можете займатися босоніж. Якщо ви новачок, можете одягнути сорочку з довгими рукавами й штани, щоб убезпечитися від подряпин і синців, поки не опануєте належну рівновагу й техніку приземлення. Не взувайте для занять на батуті взуття з твердою підошвою, наприклад, тенісні кросівки, оскільки це призведе до швидкого зношення матеріалу мату.

Щоб уникнути травм, слід завжди правильно підійматися на батут і сходити з нього. Щоб правильно піднятися на батут, необхідно ПОКЛАСТИ руку на раму й зробити крок або перекотитися через неї й пружини на батутний мат. Пам'ятайте, що під час підняття на батут і сходження з нього ваші руки повинні розташовуватися на батутній рамі. Не наступайте безпосередньо на подушку рами й не хапайтеся за неї. Щоб правильно зійти з батута, підійдіть до його краю, покладіть руку на раму і, спершись на неї, зійдіть з мату на землю. Маленьким дітям слід допомагати підійматися на батут і сходити з нього.

Не стрибайте на батуті неконтрольовано, оскільки це збільшує ризик отримання травми. Передумовою безпеки й веселощів на батуті є контроль і освоєння різних типів стрибків. Ніколи не намагайтеся стрибнути вище за когось! Ніколи не користуйтеся батутом без нагляду.

### 3. КЛАСИФІКАЦІЯ НЕЩАСНИХ ВИПАДКІВ

**Підняття і сходження:** будьте дуже обережні під час підняття на батут і сходження з нього. НЕ підіймайтеся на батут, тримаючись руками за подушку рами або наступаючи на пружини, або стрибаючи на батутний мат з будь-якого іншого предмета (наприклад, зі столу, даху або сходів). Це збільшує ризик отримання травми! НЕ сходьте з батута зістрибуванням на землю, незалежно від складу ґрунту. Якщо на батуті граються маленькі діти, їм слід допомагати підійматися на батут і сходити з нього.

**Вживання алкоголю або наркотиків:** НЕ ВЖИВАЙТЕ алкоголь або наркотики під час користування цим батутом! Це підвищує ризик отримання травми, оскільки ці речовини погіршують вашу когнітивну здатність, час реакції й загальну фізичну координацію.

**Забиття об раму або пружини:** стрибаючи на батуті, ЗАЛИШАЙТЕСЯ в центрі мату. Це знизить ризик отримання травми в разі приземлення на раму або пружини. Завжди стежте за тим, щоб захисна накладка закривала раму батута. НЕ стрибайте на раму й не наступайте безпосередньо на неї, оскільки вона не призначена для того, щоб витримувати вагу людини.

**Втрата контролю:** НЕ намагайтеся виконувати складні маневри, якщо ви не опанували попередній за складністю маневр, або якщо ви тільки вчитеся стрибати на батуті. В іншому випадку ви збільшите ризик отримання травми, приземлившись на раму, пружини або повністю зійшовши з батута, оскільки можете втратити контроль над стрибком. Контрольованим стрибком вважається приземлення на те саме місце, з якого ви стрибнули. Якщо ви все-таки втратили контроль над стрибками на батуті, різко зігніть коліна під час приземлення, це дозволить вам відновити контроль над рівновагою й перервати стрибок.

**Сальто (перевороты в стрибку):** НЕ ВИКОНУЙТЕ сальто будь-якого типу (назад або вперед) на цьому батуті. Якщо ви припуститесь помилки під час виконання сальто, ви можете впасти на голову або шию. Це підвищує ризик отримання перелому шиї або хребта, що може призвести до смерті або паралічу.

**Сторонні предмети:** НЕ користуйтеся батутом, якщо під ним або в ньому є домашні тварини, інші люди або будь-які сторонні предмети. Це підвищує ризик отримання травми. НЕ тримайте в руках ніяких сторонніх предметів і НЕ кладіть жодних предметів на батут, якщо на ньому хтось перебуває. Коли стрибаєте на батуті, зверніть увагу на те, що у вас над головою. Гілки дерев, дроти або інші розташовані над батутом предмети підвищують ризик отримання травми.

**Неякісне обслуговування знаряддя:** батут у поганому стані збільшує ризик травмуватися. Об'єкт слід перевіряти перед кожним використанням на наявність зігнутих сталевих трубок, порваних матів, нещільних або зламаних пружин і стійкість загалом.

**Погодні умови:** Під час користування батутом зважайте на погодні умови. Не користуйтеся батутом, якщо його мат мокрий, — ви можете посковзнутися й отримати травму. Не стрибайте на батуті в надто вітряну погоду, це може призвести до втрати контролю над стрибками.

**Обмеження доступу:** Коли батут не використовується, зберігайте драбинку для доступу на нього в безпечному місці, щоб діти не гралися на батуті без нагляду дорослих.

## **РЕКОМЕНДАЦІЇ ДЛЯ ЗНИЖЕННЯ РИЗИКУ НЕЩАСНИХ ВИПАДКІВ**

### **Як ви можете забезпечити себе від нещасних випадків**

Головне правило вашої безпеки — завжди контролювати свої стрибки. НЕ намагайтеся виконувати складні рухи, які вимагають спеціальної підготовки, якщо ви не опанували базових, основних стрибків. Вивчення всіх інструкцій та інформаційних матеріалів відіграє дуже важливу роль і також є однією з головних передумов вашої безпеки. Перед користуванням батутом прочитайте й зрозумійте всі застереження й виконайте всі заходи безпеки. Контрольованим стрибком вважається приземлення на те саме місце, з якого ви стрибнули. Для отримання додаткових порад та інструкцій щодо безпеки зверніться до сертифікованого інструктора зі стрибків на батуті.

### **Роль спостерігача в запобіганні нещасних випадків**

Спостерігач повинен розуміти й виконувати всі правила й рекомендації з техніки безпеки. До обов'язків спостерігача входить надання кваліфікованих порад і рекомендацій всім, хто перебуває на батуті. Якщо спостерігача немає або він недостатньо кваліфікований, батут слід зберігати в безпечному місці, у розібраному стані, щоб запобігти несанкціонованій експлуатації, або накрити брезентом, який замикається за допомогою замка або ланцюгів. Спостерігач також відповідальний за розміщення на батуті плаката з правилами безпеки й за те, щоб усі користувачі були ознайомлені з цими правилами й поінформовані про всі застереження.

## **4. ІНСТРУКЦІЯ З ТЕХНІКИ БЕЗПЕКИ НА БАТУТІ**

### **Користувачам**

- Не використовуйте батут, якщо ви вживали алкоголь або будь-які наркотики.
- Перед користуванням батутом вилучіть у людини всі тверді гострі предмети.
- Підніматися на батут і сходити з нього слід контрольовано й обережно. Ніколи не застрибуйте на батут і не зістрибуйте з нього, ніколи не використовуйте батут для вистрибування на інший предмет або застрибування в нього.
- Спочатку вивчіть основні стрибки й опануйте кожен тип відскоку, перш ніж переходити до складніших типів стрибків. Перегляньте розділ “Базові навички”, щоб дізнатися, як виконувати основні стрибки.
- Щоб зупинити стрибок, різко зігніть коліна, коли приземляєтеся стопами на мат.
- Завжди контролюйте свої стрибки на батуті. Контрольованим вважається стрибок, під час якого ви приземлюєтеся на те місце, з якого стрибнули. Якщо під час стрибків ви відчуваєте, що втрачаєте контроль над своїми рухами, зупиніть стрибок.
- Не стрибайте й не виконуйте ніяких стрибкових елементів протягом тривалого часу, не виконуйте серій з кількох надто високих стрибків.
- Завжди дивіться на мат під час стрибків, це допоможе вам зберегти контроль над своїми рухами. Якщо цього не робити, ви можете втратити рівновагу або контроль.
- На батуті ніколи не повинно перебувати більше однієї людини.
- Коли ви перебуваєте на батуті, поруч завжди повинен бути спостерігач.

### Спостерігачам

Опануйте техніку основних стрибків і правила безпеки. Щоб знизити ризик отримання травм і запобігти їм, дотримуйтеся всіх правил безпеки й стежте за тим, щоб нові користувачі засвоїли основи техніки стрибків, перш ніж переходити до складніших у технічному плані рухів.

- Усі користувачі потребують нагляду під час перебування на батуті, незалежно від рівня майстерності й віку.
- Ніколи не користуйтеся батутом, якщо він мокрий, пошкоджений, брудний або зношений. Перед користуванням батут слід оглянути.
- Тримайте всі предмети, які можуть зашкодити користувачеві, якнайдалі від батута.
- Зверніть увагу на те, що знаходиться над батутом, під ним і навколо нього.
- Щоб запобігти неконтрольованій і несанкціонованій експлуатації батута, його слід замикати, коли він не використовується.

## 5. РОЗМІЩЕННЯ БАТУТА

Мінімальний простір повинен становити: над головою — 7,3 метра (24 фути); по всьому периметру батута — 2 метри. Що стосується прилегло до батута простору, будь ласка, переконайтеся, що поблизу батута немає небезпечних предметів, таких як гілки дерев, інших рекреаційних об'єктів (наприклад, гойдалок, басейнів), електрокабелів, стін, парканів тощо.

Під час вибору місця для встановлення батута, з метою його безпечної експлуатації, зверніть увагу на наступне:

- Переконайтеся, що він встановлений на рівній поверхні.
- Місце розташування має гарне освітлення.
- Під батутом немає сторонніх предметів.

Недотримання цих рекомендацій збільшує ризик отримання травми.

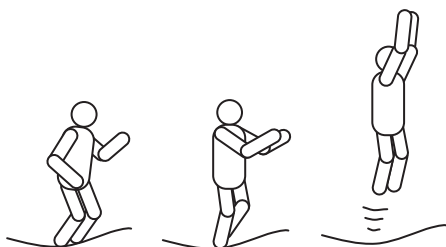
## 6. ГАРАНТІЯ

Для отримання інформації щодо гарантійних зобов'язань відвідайте наш вебсайт: [www.salta.com](http://www.salta.com). Для пред'явлення гарантійних претензій необхідно надати оригінал торгового чека. Гарантія поширюється тільки на дефекти матеріалу й конструкції виробу або її складових. Гарантія втрачає чинність, якщо:

- Виріб використовувався неправильно, недбало або неналежним чином.
- Виріб встановлено не відповідно до інструкцій/технічних вимог.
- Виріб закопувався в землю.
- Дефекти спричинено зовнішніми чинниками (наприклад, кліматичними умовами, такими як звичайне вицвітання під дією ультрафіолетових променів або звичайне зношення).
- Зміни або модифікації батута заборонені.
- Виріб використовується для громадського або рекреаційного ринку.
- Несправні частини було замінено неоригінальними запчастинами Salta.

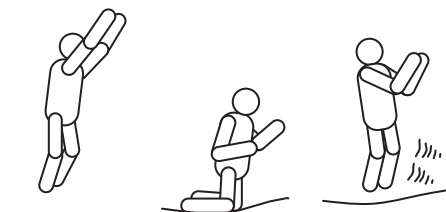
## 7. ОСНОВНІ СТРИБКИ НА БАТУТІ

### ОСНОВНИЙ СТРИБОК



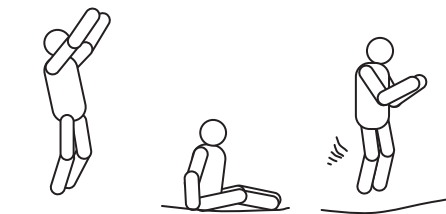
1. Розпочніть з позиції стоячи, ноги на ширині плечей, підійміть голову, але дивіться на мат батута.
2. Виконайте круговий мах руками вперед і вгору.
3. Підстрибнувши, випростайте ноги разом, тягніть носки вниз.
4. Приземліться на мат з ногами на ширині плечей.

### СТРИБОК НА КОЛІНА



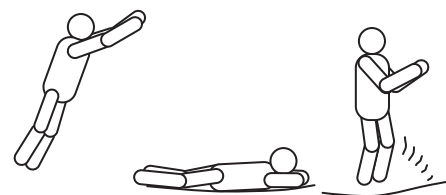
1. Розпочніть з основного невисокого стрибка.
2. Приземліться на коліна, тримаючи спину прямо, корпус випростаний, та балансуйте руками для підтримання рівноваги.
3. Поверніться у початкову позицію, допомагаючи собі махом руками вгору.

### СТРИБОК У СІД



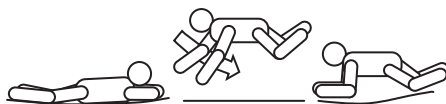
1. Приземліться в рівній позиції сидячи, випроставши ноги перед собою.
2. Поставте руки на мат обабіч стегон.
3. Відштовхніться від мату руками й поверніться до початкової позиції на ногах.

### СТРИБОК УПЕРЕД НА ЖИВІТ



1. Розпочніть із позиції для стрибка вперед.
2. Приземліться в позиції лежачи (долілиць), руки випростайте перед собою вперед на маті.
3. Відштовхніться від мату руками й поверніться до позиції стоячи.

### СТРИБОК З ПОВОРОТОМ НА 180 ГРАДУСІВ



1. Розпочніть із позиції для стрибка вперед.
2. Відштовхніться лівою або правою рукою (залежно від того, в який бік хочете виконати поворот).
3. Тримайте голову й плечі в одному напрямку, спину паралельно мату, голову піднятою.
4. Приземліться в позиції лежачи й поверніться до позиції стоячи, відштовхнувшись руками.

## 8. ДОГЛЯД І ОБСЛУГОВУВАННЯ

Цей батут розроблений і виготовлений з якісних матеріалів та відповідно до всіх технічних стандартів. За належного догляду й обслуговування він забезпечить користувачам роки тренувань, веселощів і задоволення, а також убезпечить від ризику отримання травм. Перевіряйте й обслуговуйте його основні складові (раму, підвісну систему, мат і захисні підкладки) на початку кожного сезону, а також через регулярні проміжки часу. Якщо ці перевірки не будуть проведені, експлуатація батута може стати небезпечною. Будь ласка, дотримуйтеся наведених нижче вказівок:

Цей батут розрахований на витримування певної ваги. Будь ласка, стежте за тим, щоб на батуті ніколи не було більше однієї людини. Під час стрибків користувачі повинні бути в шкарпетках або босоніж. Зверніть увагу, що вуличне або тенісне взуття НЕ слід взувати під час користування батутом. Щоб батут не подерся й не пошкодився, не підпускайте до нього домашніх тварин. Окрім того, перед виходом на батут користувачі повинні зняти з себе всі гострі предмети. Будь-які гострі або загострені предмети слід тримати якнайдалі від батутного мату.

Зберігайте цей посібник для подальшого користування. Завжди перевіряйте батут перед кожним користуванням на наявність зношених, пошкоджених або відсутніх деталей. Може виникнути ряд умов, які підвищують ризик отримати травму. Будь ласка, зверніть увагу:

- Перевірте затягування всіх гайок і болтів і за потреби затягніть їх.
- Переконайтеся, що всі підпружинені штифтові з'єднання цілі й не зламаються під час експлуатації.
- Перевірте всі покриття і гострі краї та за потреби замініть їх.
- У деяких країнах в зимовий період снігове навантаження й дуже низька температура можуть завдати батуту шкоди. Для збереження батута в належному стані рекомендовано прибирати з нього сніг та зберігати мат і огорожу в приміщенні.
- Переконайтеся, що мат і захисні накладки не мають дефектів; ПРИМІТКА: вплив сонячних променів, дощу, снігу та екстремальних температур з часом зменшують міцність цих деталей.
- Замініть сітку після 2 років експлуатації або коли вона перестане працювати належним чином.
- Проколи, дірки або розриви в батутному маті.
- Провисання батутного мату.
- Розходження швів або будь-яке інше погіршення стану мату.
- Зігнуті чи зламані деталі рами, наприклад, ніжки.
- Зламані, відсутні або пошкоджені пружини.
- Пошкоджена, відсутня або ненадійно закріплена накладка рами.
- Гострі краї, виступання на рамі, пружинах або маті.
- Під час огляду батута переконайтеся, що застібки-гачки зафіксовані належним чином.

**! Якщо ви виявили будь-яку із зазначених несправностей або будь-які інші, котрі, на вашу думку, можуть становити небезпеку для користувачів, батут слід демонтувати або закрити до нього доступ, доки несправність не буде усунута.**

### Вітряна погода

Під час сильного вітру батут може зносити з місця. Для підвищення безпеки рекомендовано застосовувати схвалений комплект розпірок Salta Anchor. Якщо очікується вітряна погода, батут слід перенести в захищене місце або демонтувати.

**Переміщення батута**

Для переміщення батута потрібно задіяти двох людей. Під час руху злегка підійміть батут над землею й утримуйте його горизонтально до поверхні. При будь-якому іншому переміщенні батут слід розібрати.

## 1. ВСТУПЛЕНИЕ

Перед началом использования батута внимательно прочтите всю информацию, приведенную в этом руководстве. Прыжки на батуте, как и любой другой вид подвижных игр, могут быть травмоопасными. Для уменьшения риска получения травмы, соблюдайте правила и рекомендации по безопасности.

- В процессе установки товара рекомендуется надеть перчатки.
- Запрещается ставить батут на бетон, асфальт или другую твердую поверхность.
- Неправильное использование и злоупотребление этим батутом опасно и может привести к серьезным травмам.
- Поскольку батут относится к пружинящим устройствам, он может забрасывать пользователя на непривычную высоту, заставляя совершать различные движения телом.
- Перед каждым использованием проверяйте батут на предмет износа полотна, ослабленных или отсутствующих деталей.
- Сильные ветры и шквалы приводят к смещению батута. Компания Salta рекомендует фиксировать батут анкерами или мешками с песком, а также убирать защитную и подкидную сетки.
- В настоящем руководстве описаны надлежащие правила сборки, ухода, технического обслуживания конструкции, правила техники безопасности, предупреждения, а также техники прыжков и подпрыгиваний. Всем пользователям и контроллерам необходимо прочесть настоящее руководство и ознакомиться с ним. Любой пользователь батута должен знать свои возможности в плане выполнения различных прыжков и подпрыгиваний.

### ПРЕДУПРЕЖДЕНИЕ ⚠

- ПРЕДУПРЕЖДЕНИЕ! Перед использованием данного батута ознакомьтесь с инструкциями.
- ПРЕДУПРЕЖДЕНИЕ! Запрещено выполнять сальто.
- ПРЕДУПРЕЖДЕНИЕ! Только для одного пользователя. Опасность столкновения.
- ПРЕДУПРЕЖДЕНИЕ!

FIRST CLASS	РАЗМЕР БАТУТА	МАКСИМАЛЬНЫЙ ВЕС
5371 / 5372 / 5941	251 cm / 305 cm / 487 cm	150 kg
5373 / 5374	366 cm / 427 cm	180 kg

- ПРЕДУПРЕЖДЕНИЕ! Всегда закрывайте отверстие в сетке перед использованием.
- ПРЕДУПРЕЖДЕНИЕ! Только для домашнего использования.
- ПРЕДУПРЕЖДЕНИЕ! Только для использования на улице.
- ПРЕДУПРЕЖДЕНИЕ! Перед использованием батута снимите обувь, поскольку это приводит к чрезмерному износу полотна батута.
- ПРЕДУПРЕЖДЕНИЕ! Не используйте батут, если он мокрый.
- ПРЕДУПРЕЖДЕНИЕ! Батут должен быть собран взрослым в соответствии с инструкциями по сборке, а затем внимательно проверен перед первым использованием.
- ПРЕДУПРЕЖДЕНИЕ! Во время прыжков карманы и руки должны быть пустыми.
- ПРЕДУПРЕЖДЕНИЕ! Всегда прыгайте в центре полотна.
- ПРЕДУПРЕЖДЕНИЕ! Запрещается есть во время прыжков.
- ПРЕДУПРЕЖДЕНИЕ! Запрещается выпрыгивать из батута.
- ПРЕДУПРЕЖДЕНИЕ! Надежно закрепите батут и не используйте его во время сильного ветра.
- ПРЕДУПРЕЖДЕНИЕ! Ограничьте время непрерывного использования (делайте регулярные перерывы).
- ПРЕДУПРЕЖДЕНИЕ! Обязателен присмотр со стороны взрослых.
- ПРЕДУПРЕЖДЕНИЕ! Не подходит для детей до 3-х лет. Опасность удушья. Мелкие детали.
- Батут не предназначен для вкапывания в землю.
- Сетку следует менять каждые два года.



- Запрещается менять конструкцию батута.
- Сохраните инструкцию по обслуживанию.
- Самоконтрящиеся гайки используются только один раз во время установки.
- Использование не по назначению и неправильное использование батута опасно и может привести к серьезным травмам.
- Проверяйте батут перед каждым использованием и заменяйте все изношенные, поврежденные или недостающие детали.
- Соблюдайте все правила техники безопасности, прилагаемые к настоящему изделию.
- Не подходит для детей до 3-х лет из-за отсутствия соответствующих навыков.
- Беречь от огня.
- Запрещается висеть на защитной сетке, бить по ней, резать ее или карабкаться на нее.
- Надевайте одежду без завязок, крючков, петелек и любых других деталей, которые могут зацепиться за ограждение.
- Запрещается крепить к батуту любые предметы, которые не входят в список одобренных производителем комплектующих.
- Входить за ограждение и выходить можно только через дверь или отверстие в ограждении, специально предназначенное для этих целей.
- Перед началом любых видов физической активности всегда следует проконсультироваться с врачом/терапевтом.

## 2. ИНФОРМАЦИЯ ПО ИСПОЛЬЗОВАНИЮ БАТУТА

Прежде всего, вы должны привыкнуть к ощущениям отскоков на батуте. Необходимо сосредоточиться на основах положения вашего тела и практиковать каждый прыжок (базовые прыжки) до тех пор, пока вы не научитесь делать их уверенно, контролируя ситуацию.

**Чтобы прервать прыжок, вам нужно всего лишь резко согнуть колени перед приземлением на полотно батута.**

Эту технику следует практиковать, осваивая каждый базовый прыжок. Навык прерывания прыжка необходим каждый раз, когда вы теряете равновесие или контроль над прыжками.

Прежде чем переходить к более сложным и продвинутым прыжкам, всегда начинайте с обучения самым простым прыжкам, сконцентрировавшись на контроле. **Считается, что вы контролируете прыжок, если вы приземляетесь на то же место, с которого подпрыгнули.** Вероятность получения травмы возрастает, если вы приступаете к следующему прыжку, не освоив предыдущий.

Не прыгайте на батуте в течение длительного времени, поскольку усталость может увеличить вероятность получения травм. Прыгайте в течение коротких промежутков времени, тем самым позволяя другим участвовать в этой веселой забаве! Запрещается прыгать на батуте нескольким людям одновременно.

Для прыжков на батуте следует надевать футболку, шорты или спортивные штаны, специальную гимнастическую обувь или толстые носки. Также можно прыгать босиком. Новичкам желательно надевать футболку с длинными рукавами и штаны, чтобы защититься от царапин и ссадин, пока не освоена техника приземления и форма. Не надевайте на батут обувь на твердой подошве, например теннисные туфли, поскольку это приведет к чрезмерному износу полотна батута.

Вы должны всегда правильно подниматься и спускаться с батута, чтобы избежать травм. Чтобы правильно взобраться на батут, ОБОПРИТЕСЬ рукой о его раму и либо ступите на раму и затем на полотно, либо перекатитесь по раме, поверх пружин и на полотно батута. Всегда опирайтесь рукой о раму батута, когда взбираетесь или сходите с него. Не становитесь на мягкую прокладку и не хватайтесь за нее рукой. Чтобы

сойти с батута, передвиньтесь к краю полотна, обопритесь рукой о раму батута и ступите с полотна на землю. Маленьким детям нужно помогать взбираться на батут и сходить с него.

Не следует бесконтрольно прыгать на батуте, поскольку это увеличивает вероятность получения травм. Основа безопасности и хорошего настроения на батуте — контроль и правильное выполнение различных прыжков. Никогда не старайтесь подпрыгнуть выше других! Не используйте батут самостоятельно, без надзора.

### 3. КЛАССИФИКАЦИЯ НЕСЧАСТНЫХ СЛУЧАЕВ

**Вход и выход:** Будьте осторожны, входя и выходя из батута. ЗАПРЕЩАЕТСЯ входить на батут, хватаясь за подкладку рамы, наступая на пружины или запрыгивая на полотно батута с другого объекта (например, платформы, крыши или лестницы). Это увеличивает вероятность получения травм! ЗАПРЕЩАЕТСЯ спрыгивать с батута на землю независимо от ее структуры. Если на батуте играют маленькие дети, им потребуются помощь, чтобы войти и выйти.

**Употребление спиртных напитков или наркотиков:** ЗАПРЕЩАЕТСЯ употреблять спиртные напитки или наркотики, прыгая на батуте! Это увеличивает вероятность получения травм, поскольку эти вещества затуманивают ясность суждений, снижают скорость реакции и ухудшают общую физическую координацию.

**Удар о пружинную раму:** Играя на батуте, ОСТАВАЙТЕСЬ в центре полотна. Это снизит риск получения травм от приземления на пружинную раму. Пружинная рама батута должна быть всегда закрыта подушкой. ЗАПРЕЩАЕТСЯ прыгать или наступать на подушку, поскольку она не предназначена для выдерживания веса человека.

**Потеря контроля:** ЗАПРЕЩАЕТСЯ отрабатывать сложные движения или другие движения, пока вы не освоите предыдущие, или пока вы еще только учитесь прыжкам на батуте. В противном случае, увеличивается риск получения травм от приземления на раму, пружины или вне трамплина, поскольку вы можете потерять контроль над прыжком. Контролируемым считается тот прыжок, при котором вы приземляетесь на то же место, с которого подпрыгнули. Если вы потеряли контроль в процессе прыгания на батуте, резко согните колени перед приземлением. Это позволит восстановить контроль и остановить прыжок.

**Сальто (прыжки с переворотом):** ЗАПРЕЩАЕТСЯ ВЫПОЛНЯТЬ на этом батуте сальто любых видов (вперед или назад). При неудачной попытке выполнения сальто можно приземлиться на голову или шею. Это увеличивает риск перелома шеи или спины, что приводит к смерти или параличу.

**Посторонние предметы:** НЕ ИСПОЛЬЗУЙТЕ батут, если на нем или под ним находятся домашние или другие животные, другие люди или какие-либо предметы. Это увеличивает риск травмирования! ЗАПРЕЩАЕТСЯ держать в руках любые посторонние предметы и класть какие-либо предметы на батут, пока кто-то на нем прыгает. Прыгая на батуте, внимательно следите за тем, что находится над вами. Ветви деревьев, провода и другие объекты, расположенные над батутом, увеличивает риск травмирования.

**Плохое техническое обслуживание батута:** плохое состояние батута увеличивает риск получения травмы. Перед каждым использованием необходимо проверять, не погнуты ли стальные трубы, не порваны ли маты для батута, не ослаблены и не сломаны ли пружины, а также устойчивость батута в целом.

**Погодные условия:** Используя батут, учитывайте погодные условия. Запрещается использовать батут, если его полотно влажное, поскольку прыгающий может поскользнуться и получить травму. При сильном ветре прыгающий может потерять контроль.

**Ограничение доступа:** Когда батут не используется, всегда храните лестницу для входа в недоступном месте, чтобы предотвратить неконтролируемое использование батута детьми.

## **СОВЕТЫ ПО СНИЖЕНИЮ РИСКА НЕСЧАСТНЫХ СЛУЧАЕВ**

### **Роль прыгающих в предотвращении несчастных случаев**

Самое важное здесь — не терять контроль над прыжками. ЗАПРЕЩАЕТСЯ переходить к более сложным трюкам, не освоив фундаментальные, базовые прыжки.

Обучение является ключом к безопасности и имеет важное значение. Необходимо прочесть, понять и соблюдать все предостережения и предупреждения, прежде чем использовать батут. Прыжок считается контролируемым, если вы приземляетесь на то же место, с которого подпрыгнули. Для получения дополнительных советов и инструкций по безопасности обратитесь к сертифицированному инструктору по прыжкам на батуте.

### **Роль контролера в предотвращении несчастных случаев**

Контролер должен понимать и следить за соблюдением всех правил техники безопасности. Контролер обязан давать всем прыгающим компетентные советы по соблюдению правил техники безопасности. Если осуществление контроля невозможно, батут следует либо убрать в недоступное место в разобранном виде, чтобы предотвратить несанкционированное использование, либо накрыть плотным брезентом, закрепленным цепями с замком. Контролер также обязан проследить за тем, чтобы на батуте была прикреплена табличка с правилами техники безопасности, и чтобы о них были осведомлены все прыгающие.

## **4. ПРАВИЛА БЕЗОПАСНОГО ИСПОЛЬЗОВАНИЯ БАТУТА**

### **Информация для пользователей**

- Запрещается использовать батут в состоянии алкогольного или наркотического опьянения.
- Перед использованием батута необходимо снять с себя все твердые и острые предметы.
- Взбираться и сходить с батута следует внимательно и осторожно. Никогда не запрыгивайте и не спрыгивайте с батута и никогда не используйте батут для запрыгивания на или в другой объект.
- Всегда изучайте базовые прыжки и осваивайте более простые движения, прежде чем переходить к более сложным. Для изучения основных прыжков смотрите раздел «Базовые навыки».
- Чтобы остановить прыжок, согните ноги в коленях в момент приземления на полотно.
- Во время выполнения прыжков всегда сохраняйте контроль. Контролируемым считается тот прыжок, когда вы приземляетесь на то же место, с которого подпрыгнули. Если вы чувствуете, что потеряли контроль, постарайтесь прекратить прыжки.
- Запрещается прыгать и пружинить в течение длительных промежутков времени или выполнять несколько высоких прыжков подряд.
- Смотрите на полотно, чтобы сохранить контроль. В противном случае, вы можете потерять равновесие или контроль.
- Запрещается пребывание на батуте более одного человека за раз.
- Пока вы находитесь на батуте, за вами всегда должен следить контролер.

### **Информация для контролеров**

Изучите базовые прыжки и правила техники безопасности. Чтобы предотвратить и снизить риск травмирования, следите за соблюдением всех правил техники безопасности и контролируйте, чтобы новые пользователи осваивали базовые прыжки, прежде чем переходить к более сложным и профессиональным движениям.

- АСледить нужно за всеми пользователями, независимо от их навыков и возраста.
- Никогда не используйте батут, если он влажный, поврежденный, грязный или изношенный. Перед каждым использованием батут необходимо осматривать.
- Следите, чтобы возле батута не было предметов, которые могут помешать пользователю.

- Внимательно следите за тем, что находится над батутом, под ним и вокруг него.
- Для предотвращения неконтролируемого и несанкционированного использования неиспользуемый батут следует закрыть.

## **5. РАЗМЕЩЕНИЕ БАТУТА**

Необходимо, чтобы над батутом было 7,3 метра (24 фута) свободного пространства и 2 метра вокруг него. Что касается горизонтального пространства, необходимо проследить, чтобы вблизи батута не было опасных объектов, таких как ветвей деревьев, других оборудований для развлечений (например, качелей, бассейнов), электрических проводов, стен, заборов и пр.

Для безопасного использования батута необходимо учитывать следующее при выборе места установки:

- Проследите, чтобы батут стоял на ровной поверхности.
- Место размещения должно быть хорошо освещено.
- Под батутом не должно быть никаких посторонних предметов.

Игнорируя эти правила, вы увеличиваете риск травмирования.

## **6. ГАРАНТИЯ**

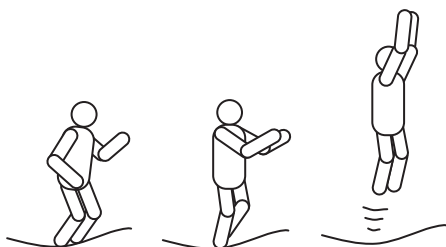
Информация о гарантии представлена на нашем веб-сайте: [www.salta.com](http://www.salta.com).

Гарантийное обслуживание можно получить после предъявления счета-фактуры. Гарантия распространяется на дефекты материала и конструкции изделия и его компонентов. Гарантия утрачивает силу в случае, если:

- Изделие используется неправильно, халатно или ненадлежащим образом.
- Изделие было установлено без учета инструкций/правил обслуживания.
- Изделие было вкопано в землю.
- Дефекты вызваны воздействием окружающей среды (например, климатических условий, приводящих, помимо прочего, к нормальному выгоранию от ультрафиолета или нормальному износу).
- Батут был изменен или модифицирован без предварительного согласования.
- Изделие находится в общем доступе или используется в сфере развлечений.
- При замене неисправных частей не были использованы оригинальные запасные части Salta.

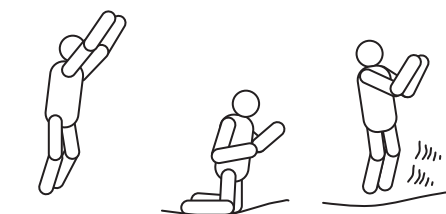
## 7. БАЗОВЫЕ ПРЫЖКИ НА БАТУТЕ

### БАЗОВЫЙ ПРЫЖОК



1. Начинайте из положения стоя: поставьте ноги на ширину плеч и согнитесь, глядя на полотно батута.
2. Сделайте взмах руками вперед и вверх круговым движением.
3. Держите стопы вместе в прыжке, вытянув носки.
4. Приземляясь на полотно, вновь разведите стопы на ширину плеч.

### ПРЫЖКИ НА КОЛЕНЯХ



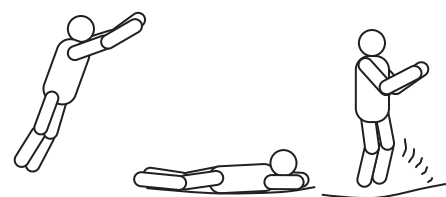
1. Начните с базового прыжка, не подпрыгивая слишком высоко.
2. Приземлитесь на колени, держа спину прямо. Выпрямитесь и используйте руки, чтобы держать равновесие.
3. Вернитесь в исходное положение базового прыжка, подняв руки вверх.

### ПРЫЖКИ СИДЯ



1. Приземлитесь в положении сидя.
2. Положите руки на мат по бокам от бедер.
3. Вернитесь в положение стоя, оттолкнувшись руками.

### ПРЫЖКИ НИЧКОМ



1. Начните с положения для прыжка ничком.
2. Приземлитесь в положении лежа (лицом вниз), вытянув руки и кисти вперед к полотну.
3. Оттолкнитесь руками от мата, чтобы вернуться в положение стоя.

### ПРЫЖОК С ПОВОРОТОМ НА 180 ГРАДУСОВ



1. Начните с положения для прыжка ничком.
2. Оттолкнитесь кистью левой или правой руки (в зависимости от того, в какую сторону вы хотите повернуться).
3. Следите, чтобы голова и плечи были направлены в одну сторону, спина была параллельна мату, а голова приподнята.
4. Приземлитесь в положении лежа и вернитесь в положение стоя, оттолкнувшись руками.

## 8. УХОД И ОБСЛУЖИВАНИЕ

Этот батут был разработан и изготовлен компетентными специалистами из качественных материалов. При надлежащем уходе и обслуживании он многие годы прослужит пользователям для физических упражнений, веселья и удовольствия при минимальном риске получения травм. В начале каждого сезона и затем с регулярными интервалами необходимо проверять и обслуживать основные части изделия (раму, подвесную систему, полотно и подкладку). Если не проводить таких проверок, батут станет источником опасности. Пожалуйста, следуйте приведенным ниже инструкциям:

Конструкция этого батута рассчитана на определенный вес и режим использования. Следите за тем, чтобы на батуте был только один человек за раз. Прыгая на батуте, пользователи должны быть либо в носках, либо босиком. Помните о том, что **ЗАПРЕЩАЕТСЯ** прыгать на батуте в уличной обуви или теннисных туфлях. Чтобы предотвратить появление порезов и повреждений на полотне, запрещается пускать на него домашних животных. Кроме того, пользователи должны убрать все острые предметы перед прыжками на батуте. Полотно батута следует всегда беречь от любых видов острых и заостренных предметов.

Сохраните руководство для обращения в будущем. Перед каждым использованием проверяйте батут на предмет износа, ослабленных или отсутствующих деталей. Есть ряд условий, увеличивающих риск травмирования. Следует обратить внимание на:

- Проверьте затяжку всех гаек и болтов и подтяните их по мере необходимости.
- Проследите, чтобы все пружинные (штифтовые) соединения были исправны, и не расстегивались во время использования батута.
- Проверьте все покрытия и наличие острых краев и по мере необходимости замените.
- В некоторых странах в зимнее время груз снега и очень низкая температура могут привести к повреждению батута. Рекомендуется очищать батут от снега и хранить полотно и защитную сетку в помещении.
- Проверьте полотно и подкладку на наличие дефектов. **ОБРАТИТЕ ВНИМАНИЕ**, что под влиянием солнечного света, дождя, снега и экстремальных температурных условий состояние данных компонентов со временем может изменяться.
- Замените сетку после двух лет использования, или когда она придет в негодность.
- Проколы, дыры и потертости на полотне батута.
- Провисание полотна батута.
- Разошедшиеся швы и любые другие повреждения полотна.
- Погнутые или сломанные детали рамы, например стойки.
- Сломанные, недостающие или поврежденные пружины.
- Поврежденная, отсутствующая или ненадежно закрепленная подкладка рамы.
- Торчащие детали рамы, пружинных блоков или пружинного полотна
- Проследите, чтобы во время использования батута все липучки были застегнуты надлежащим образом.

**Если вы обнаружите какое-либо из описанных выше условий или что-либо еще, что, как вам кажется, может причинить вред пользователю, необходимо разобрать батут и прекратить его использование до тех пор, пока это условие (или условия) не будет устранено.**

### Ветреные условия

При сильном ветре батут может сдуть. Чтобы усилить безопасность, мы рекомендуем использовать оригинальный набор креплений Salta. Если ожидается ветреная погода, батут следует переместить в закрытое место или разобрать.

**Перемещение батута**

Для перемещения батута понадобятся два человека. Чтобы переместить батут, слегка приподнимите его и держите горизонтально земле. Для любых других перемещений батут следует разобрать.

# **Salta**