

Lenco

Model No: PDR-011



User manual – Portable DAB radio

Gebruikershandleiding – Draagbare DAB-radio

Bedienungsanleitung – Tragbares DAB-Radio

Mode d'emploi – Radio DAB portable

Manual de usuario – Radio DAB portátil

Index

English 3
Nederlands 16
Deutsch 30
Français 46
Español 60

CAUTION:

Usage of controls or adjustments or performance of procedures other than those specified herein may result in hazardous radiation exposure.

PRECAUTIONS BEFORE USE

KEEP THESE INSTRUCTIONS IN MIND:

1. Install in accordance with the supplied user manual.
2. Keep the device away from heat sources such as radiators, heaters, stoves, candles and other heat-generating products or naked flame. The device can only be used in moderate climates. Extremely cold or warm environments should be avoided. Working temperature between 0° and 35°C.
3. Avoid using the device near strong magnetic fields.
4. Electrostatic discharge can disturb normal usage of this device. If so, simply reset and restart the device following the instruction manual. During file transmission, please handle with care and operate in a static-free environment.
5. Warning! Never insert an object into the product through the vents or openings. High voltage flows through the product and inserting an object can cause electric shock and/or short circuit internal parts. For the same reason, do not spill water or liquid on the product.
6. Do not use in wet or moist areas such as bathrooms, steamy kitchens or near swimming pools.
7. The device shall not be exposed to dripping or splashing and make sure that no objects filled with liquids, such as vases, are placed on or near the apparatus.
8. Do not use this device when condensation may occur. When the unit is used in a warm wet room with damp, water droplets or condensation may occur inside the unit and the unit may not function properly; let the unit stand in power OFF for 1 or 2 hours before turning on the power: the unit should be dry before getting any power.
9. Although this device is manufactured with the utmost care and checked several times before leaving the factory, it is still possible that problems may occur, as with all electrical appliances. If you notice smoke, an excessive build-up of heat or any other unexpected phenomena, you should disconnect the plug from the main power socket immediately.
10. This device must operate on a power source as specified on the specification label. If you are not sure of the type of power supply used in your home, consult your dealer or local power company.
11. Keep away from animals. Some animals enjoy biting on power cords.

12. To clean the device, use a soft dry cloth. Do not use solvents or petrol based fluids.
To remove severe stains, you may use a damp cloth with dilute detergent.
13. The supplier is not responsible for damage or lost data caused by malfunction, misuse, modification of the device or battery replacement.
14. Do not interrupt the connection when the device is formatting or transferring files.
Otherwise, data may be corrupted or lost.
15. If the unit has USB playback function, the USB memory stick should be plugged into the unit directly. Don't use an USB extension cable because it can cause interference resulting in failing of data.
16. The rating label has been marked on the bottom or back panel of the device.
17. This device is not intended for use by people (including children) with physical, sensory or mental disabilities, or a lack of experience and knowledge, unless they're under supervision or have received instructions about the correct use of the device by the person who is responsible for their safety.
18. This product is intended for non professional use only and not for commercial or industrial use.
19. Make sure the unit is adjusted to a stable position. Damage caused by using this product in an unstable position vibrations or shocks or by failure to follow any other warning or precaution contained within this user manual will not be covered by warranty.
20. Never remove the casing of this device.
21. Never place this device on other electrical equipment.
22. Do not allow children access to plastic bags.
23. Only use attachments/accessories specified by the manufacturer.
24. Refer all servicing to qualified service personnel. Servicing is required when the device has been damaged in any way, such as the power supply cord or the plug, when liquid has been spilled or objects have fallen into the device, when the device has been exposed to rain or moisture, does not operate normally, or has been dropped.
25. Long exposure to loud sounds from personal music players may lead to temporary or permanent hearing loss.
26. If the product is delivered with power cable or AC power adaptor:
 - If any trouble occur, disconnect the AC power cord and refer servicing to qualified personnel.
 - Don't step on or pinch the power adaptor. Be very careful, particularly near the plugs and the cable's exit point. Do not place heavy items on the power adaptor, which may damage it. Keep the entire device out of children's reach! When playing with the power cable, they can seriously injure themselves.

- Unplug this device during lightning storms or when unused for a long period.
- The socket outlet must be installed near the equipment and must be easily accessible.
- Do not overload ac outlets or extension cords. Overloading can cause fire or electric shock.
- Devices with class 1 construction should be connected to a main socket outlet with a protective earthed connection.
- Devices with class 2 construction do not require a earthed connection.
- Always hold the plug when pulling it out of the main supply socket. Do not pull the power cord. This can cause a short circuit.
- Do not use a damaged power cord or plug or a loose outlet. Doing so may result in fire or electric shock.

27. This device contains a rechargeable battery. Do not try to replace by yourself, but bring the device to a service center.

INSTALLATION

- Unpack all parts and remove protective material.
- Do not connect the unit to the mains before checking the mains voltage and before all other connections have been made.



To avoid hearing damage, do not listen to loud content for an extended period of time. Constant exposure to high volumes when using headphones can cause hearing damage. Always check the volume before using the headphones. The use of headphones when driving vehicles is not recommended and is illegal in some states. If you find listening to the device causes distraction while driving any type of vehicle or while performing activities that require all your attention, stop listening to the device.

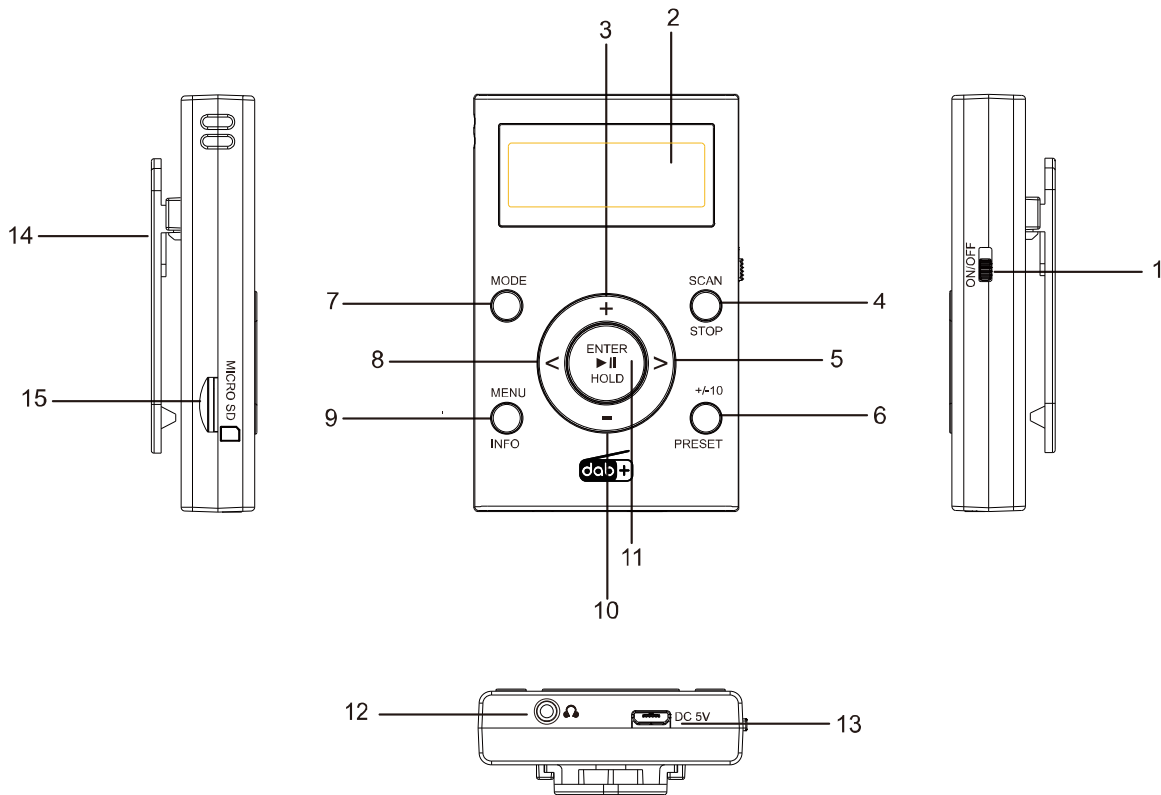
Accessories:

USB to micro USB cable



Stereo Earphone



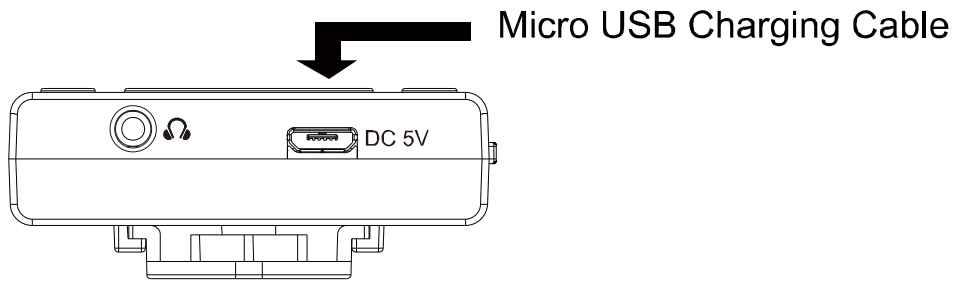


LOCATION OF CONTROLS

1. Power ON/OFF
2. LCD Display
3. Volume +
4. Scan/Stop
5. Tune+/Skip+
6. Preset/+10 - 10
7. Mode/Standby
8. Tune-/Skip-
9. Menu/Info
10. Volume-
11. Enter/Play/Pause/Lock-Unlock
12. 3.5mm Stereo Phone Jack
13. Micro USB DC 5V Power Input Jack.
14. Detachable Belt Clip
15. Micro SD Slot

POWER SUPPLY/BATTERY

Connect the micro USB charging cable to the DC 5V input jack on the radio.



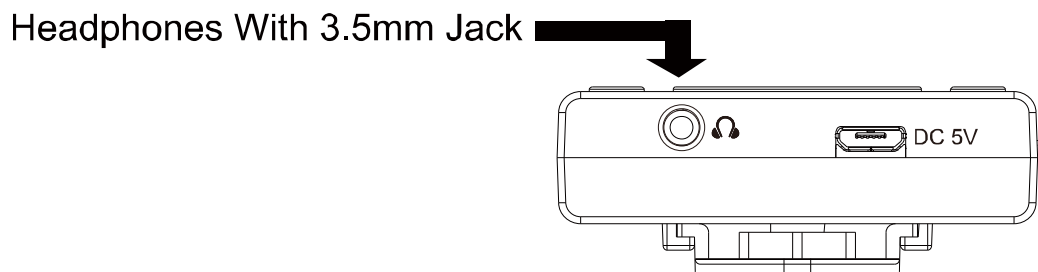
Connect the other side of the micro-USB cable to the power source using a USB power supply. It is also possible to recharge the product by connecting it to the USB port of a computer. The radio should fully recharge in about 3 hours (charging times may vary depending on the state of charge of the battery).

When the unit is in Standby the display shows the date and time (if the option is active and the unit has been used on a source that transmits this information) and the charge status.

NOTE: nothing is shown on the product display when it is charging from off but charging takes place regularly.

POWER ON/OFF

Connect the headphones with 3.5mm jack to the headphone output. The product uses headphones as an antenna to improve signal reception.



Turn the Power switch to the "On" position to turn on the product. The first time it is turned on, DAB mode is activated and the stations are automatically scanned.

To change the source, press the "Mode" button.

To turn off the unit, move the Power switch to the "Off" position.

To put the unit into Standby/switch on again, long press the "Mode" button.

Key lock

You can lock the product to avoid accidental button presses.

Long press the "Enter" key to lock the keyboard.

You can unlock the keyboard by holding down "Enter" while the product is locked.

VOLUME CONTROL

Press the "VOLUME +/-" button to adjust the volume level.

NAVIGATION IN MENUS

Long press the "Menu" button to display the options. Use the < and > keys to navigate between the choices and press "Enter" to confirm. From the options it is possible to return to the previous menu by pressing the "Menu" button.

DAB MODE

Press the "Mode" button repeatedly until the DAB mode is selected. When using DAB for the first time, stations are automatically scanned.

To carry out a complete scan of the stations, long press the "Scan" button.

You can browse the list of stored stations with the "Next"/"Previous" buttons. Press "Enter" to play the selected station.

Display of DAB information on the display

While listening to a DAB station, press the "Menu/Info" button repeatedly to obtain the following information (when available):

- Radio text
- Signal level
- Type of program (such as NEWS, SPORT, POP, etc.)
- DAB channel/station frequency
- Errors in the signal
- Bitrate/Signal type
- Time

- Date

DAB options

Press and hold the "Menu/Info" key to display the menu and scroll through the available options using the <or> key and confirm by pressing "Enter":

- Full search: allows you to perform a new scan of the DAB stations.
If no station is found the display will show "No DAB station". In this case, check that the headphones are inserted correctly and/or scan from another location.
- Manual tuning: allows you to perform a manual scan based on the selected frequency. Scroll through the frequencies using the <or> key. Select the desired frequency with the "Enter" key, the signal strength and station information will be shown. Press the "Enter" key again to confirm the selection and add the stations to the list.
- DRC: the DRC option adds or removes a degree of compensation for differences in the dynamic range between sound levels. The radio station has to support the DRC function.
- Using the "Next"/"Previous" keys, it is possible to select between deactivated DRC (no compensation applied), low DRC (average compensation applied) or high DRC (maximum compensation applied) and confirm by pressing "Enter". The asterisk indicates the current setting.
- Delete (prune): the option allows you to delete stations that are no longer receivable from the list (only stations where the signal quality is 0 will be deleted). After opening the "Delete" function, select "Yes" with the <or> keys and confirm by pressing "Enter".
- System: see chapter "product setting"

NOTE: in case that DAB reception is not good, it is recommended to move/use the product outdoors to improve reception.

FM MODE

Press the "Mode" button repeatedly until the FM mode is selected.

When the FM mode is first started, the device will tune in to the first frequency of the FM scale (87.50MHz). Press the <or> button to scroll through the FM frequencies.

Press and hold the <or> button to automatically search for the next available FM station.

You can make a complete scan of the FM band by automatically saving the first 30 stations available in the presets by holding down the "Scan" button.

RDS information

Radio Data System (RDS) allows FM stations to transmit additional information.

When you tune to an FM radio station that transmits RDS signals, the station name is displayed.

Press the "INFO" button repeatedly to get the following RDS information (if available):

- Radio text
- Program type (such as NEWS, SPORT, POP, etc...)
- Transmission frequency
- Mode: mono/stereo
- Time
- Date

FM options

Press and hold the "Menu/Info" key to display the menu and scroll through the available options using the <or> key and confirm your choice by pressing "Enter":

- Scan settings: allows you to choose whether to search only stations with good reception or all stations (regardless of signal strength).
- Audio settings: allows you to choose whether to use stereo or mono audio.

DAB AND FM PRESELECTIONS

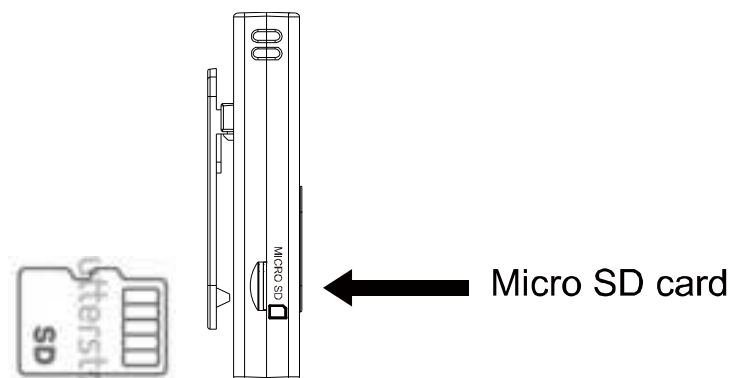
Up to 30 DAB stations and 30 FM stations can be saved in presets.

To save the current station, keep the "Preset" key pressed, use the <or> key to select the desired preset number and press "Enter" to save.

To view the saved presets, press the "Preset" button, use the <or> button to scroll through the presets and press the "Enter" button to play the selected station.

MICRO SD MODE

Insert the Micro SD card inside the product as shown in the image below:



Turn on the device, press the "Mode" button repeatedly until the Micro SD mode is selected. The song number will be displayed.

To start/pause/resume playback press the "Play/Pause" button.

Stop: to stop playback and return to the initial song, keeping pressed "Stop" button.

Previous/Next: to go to the previous/next song, press the <or> button.

Fast forward/rewind: long press the > or < button to fast forward/rewind in the track being played.

To fast forward/rewind 10 tracks, long press the "Preset" button then choose the track number with the > (+10) or <(-10) buttons and confirm by pressing "Enter".

REPEAT: press the Menu/Info button repeatedly to choose the option between: Normal/Repeat one/Repeat all/Random.

Note: It is not possible to transfer files to the Micro SD card by connecting the product directly to the computer.

PRODUCT SETTINGS

In addition to modifying the DAB and FM settings, keeping the "Menu/Info" key pressed it is also possible to modify the product settings by choosing the "System" item:

- Time: allows you to change the date and time, choose the time format (12H/24H) and enable/disable automatic time updating (from any source, only from DAB, only from FM or disabled).
- Backlight: allows you to change the brightness of the display (high/low).
- Language: allows you to change the system language (Italian, French, English, German, Dutch, Spanish)
- Restore default values: allows you to restore the device to factory values.
- Software version.

The asterisk next to an option indicates the current setting.

Troubleshooting

Problem	Solution
It won't turn on	Check that the reader is charged and that the switch is on the ON position.
The keys don't work	Check and if necessary remove the key lock.
No sound	Adjust the volume to the desired level and check the operation of the earphones.
The product turns off in Micro SD mode	Check that only supported files are inserted inside the Micro SD.
Lights up but does not play any tracks	Make sure that the files playing on the connected device are supported.
Reception is poor/playback stops in FM/DAB mode	Move to a position with better reception (for example outdoors).

TECHNICAL SPECIFICATIONS

Portable radio DAB/DAB +/-FM

Electronic tuning PLL RDS FM

Automatic search for DAB/FM radio stations

Radio station presets: 30 FM-30 DAB

MP3 file playback via micro SD input (max 32GB)

LCD Display with changing brightness (high/low)

3.5mm earphone output (earphone included)

Carrying strap

Clip hook

Built-in 3.7V/550mAh rechargeable lithium battery

DC 5V micro USB power socket (micro USB cable included – power adapter not included)

Dimensions: 5.4 (L) x 8.5 (H) x 2.1 (D) cm

Weight: 62gr.

Guarantee

Lenco offers service and warranty in accordance to European law, which means that in case of repairs (both during and after the warranty period) you should contact your local dealer.

Important note: It is not possible to send products that need repairs to Lenco directly.

Important note: If this unit is opened or accessed by a non-official service center in any way, the warranty expires.

This device is not suitable for professional use. In case of professional use, all warranty obligations of the manufacturer will be voided.

Disclaimer

Updates to Firmware and/or hardware components are made regularly. Therefore some of the instruction, specifications and pictures in this documentation may differ slightly from your particular situation. All items described in this guide for illustration purposes only and may not apply to particular situation. No legal right or entitlements may be obtained from the description made in this manual.

Disposal of the Old Device



This symbol indicates that the relevant electrical product or battery should not be disposed of as general household waste in Europe. To ensure the correct waste treatment of the product and battery, please dispose them in accordance to any applicable local laws of requirement for disposal of electrical equipment or batteries. In so doing, you will help to conserve natural resources and improve standards of environmental protection in treatment and disposal of electrical waste (Waste Electrical and Electronic Equipment Directive).

CE Marking

Hereby, Lenco Benelux B.V., Thermiekstraat 1a, 6361 HB Nuth, The Netherlands, declares that this product is in compliance with the essential EU directive requirements.

The declaration of conformity may be consulted via techdoc@commaxxgroup.com



Service

For more information and helpdesk support, please visit www.lenco.com Lenco Benelux BV,
Thermiekstraat 1a, 6361 HB Nuth, The Netherlands.

LET OP:

Gebruik van bedieningen of afstellingen of uitvoer van procedures anders dan gespecificeerd in deze documentatie kan leiden tot blootstelling aan schadelijke straling.

VOORZORGSMAATREGELEN VOOR GEBRUIK

ONTHOUD DE VOLGENDE INSTRUCTIES:

1. Installeer het product volgens de meegeleverde gebruikershandleiding.
2. Houd het apparaat uit de buurt van hittebronnen, zoals radiatoren, verwarmingen, kachels, kaarsen en andere hittegenererende producten of open vuur. Het apparaat kan alleen worden gebruikt in een gematigd klimaat. Extreem koude of warme omgevingen dienen te worden vermeden. Bedrijfstemperatuur tussen 0 °C en 35 °C.
3. Gebruik dit apparaat niet in de buurt van krachtige magnetische velden.
4. Elektrostatische ontlading kan normaal gebruik van dit apparaat verstoren. U hoeft het apparaat in dit geval slechts te resetten en opnieuw op te starten volgens de gebruikershandleiding. Wees voorzichtig tijdens bestandsoverdracht en gebruik het product in een omgeving zonder statische interferentie.
5. Waarschuwing! Steek nooit een voorwerp via de ventilatie- of andere openingen in het product. Er is hoogspanning in het product aanwezig en als u er een object insteekt, kan dat een elektrische schok veroorzaken en/of kortsluiting in de interne onderdelen. Mors om dezelfde reden geen water of vloeistof op het product.
6. Gebruik het toestel NIET in vochtige ruimtes, zoals badkamers, stomerige keukens of in de buurt van zwembaden.
7. Het apparaat mag niet worden blootgesteld aan druppels en spetters en zorg ervoor dat er geen met vloeistof gevulde voorwerpen, zoals vazen, op of in de buurt van het apparaat worden geplaatst.
8. Gebruik dit apparaat niet wanneer condensatie kan optreden. Wanneer het apparaat in een warme en vochtige kamer wordt gebruikt, dan kunnen er waterdruppeltjes of condensatie binnenin het apparaat worden gevormd waardoor het apparaat mogelijk niet meer goed werkt; houd een apparaat 1 of 2 uur op UIT staan voordat u de voeding weer inschakelt: het apparaat dient droog te zijn voordat deze stroom ontvangt.

9. Alhoewel dit apparaat met grote zorg gefabriceerd en verschillende keren geïnspecteerd is voordat het de fabriek verlaat, is het nog steeds mogelijk dat er problemen optreden, zoals met alle elektrische apparaten. Als u rook, een overmatige hitteontwikkeling of enig ander onverwacht verschijnsel, moet u onmiddellijk de stekker van het netsnoer uit het stopcontact halen.
10. Dit apparaat moet werken op een voedingsbron, zoals aangegeven op het specificatieplaatje. Als u twijfelt over het type voeding dat gebruikt wordt in uw huis, raadpleeg dan uw dealer of plaatselijk energiebedrijf.
11. Buiten bereik van dieren houden. Sommige dieren bijten graag op voedingskabels.
12. Gebruik een zacht, droog doekje om het apparaat te reinigen. Gebruik geen oplosmiddelen of op benzine gebaseerde vloeistoffen.
U kunt een vochtig doekje met verdund schoonmaakmiddel gebruiken om hardnekkige vlekken te verwijderen.
13. De leverancier is niet verantwoordelijk voor schade of verloren gegevens veroorzaakt door storing, misbruik, modificatie van het apparaat of batterijvervanging.
14. Onderbreek nooit de verbinding wanneer het apparaat formatteert of bestanden overdraagt. De gegevens kunnen anders corrupt of verloren raken.
15. Indien het apparaat een USB-afspeelfunctie heeft, moet de USB-geheugenstick rechtstreeks op het apparaat worden aangesloten. Gebruik geen USB-verlengkabel, omdat die kan leiden tot storingen met foutieve gegevens als gevolg.
16. Het nominale specificatielabel is te vinden op het paneel aan de onder- of achterkant van het apparaat.
17. Dit apparaat is niet bestemd voor gebruik door mensen (inclusief kinderen) met fysieke, zintuiglijke of geestelijke gebreken of gebrek aan kennis en ervaring, tenzij zij onder toezicht staan of instructies hebben over het juiste gebruik van het apparaat hebben gekregen van de persoon die verantwoordelijk is voor hun veiligheid.
18. Dit product is alleen voor niet-professioneel gebruik bedoeld en niet voor commercieel of industrieel gebruik.
19. Verzeker u ervan dat het apparaat in een stabiele positie staat opgesteld. Beschadigingen veroorzaakt door het gebruik van dit apparaat in een onstabiele positie, trillingen of schokken of door het niet opvolgen van andere waarschuwingen of voorzorgsmaatregelen beschreven in deze gebruikshandleiding worden niet gedekt door de garantie.
20. Verwijder nooit de behuizing van dit apparaat.
21. Plaats dit apparaat nooit op andere elektrische apparatuur.
22. Geef kinderen geen gelegenheid in aanraking met plastic zakken te komen.
23. Gebruik uitsluitend uitbreidingen/accessoires gespecificeerd door de fabrikant.

24. Laat alle reparaties over aan gekwalificeerd onderhoudspersoneel. Onderhoud is vereist als het apparaat hoe dan ook is beschadigd, zoals bijvoorbeeld het netsnoer of de stekker, wanneer er vloeistof of een voorwerp in het apparaat is terechtgekomen, wanneer het apparaat is blootgesteld aan regen of vocht, als het niet normaal werkt of is gevallen.
25. Langdurige blootstelling aan harde geluiden van persoonlijke muzikspelers kan leiden tot tijdelijk of permanent gehoorverlies.
26. Als het product wordt geleverd met voedingskabel of AC-stroomadapter:
 - Als er problemen optreden, koppel de wisselstroomvoedingskaart dan los en laat reparaties over aan bevoegd personeel.
 - Nooit op de stroomadapter stappen of deze indrukken. Wees voornamelijk voorzichtig in de buurt van de stekkers en het punt waar de kabel uit het apparaat komt. Plaats geen zware voorwerpen op de stroomadapter, om beschadiging ervan te voorkomen. Houd het gehele apparaat buiten bereik van kinderen! Wanneer kinderen met de voedingskabel spelen, kunnen zij ernstig letsel oplopen.
 - Haal de stekker uit het stopcontact tijdens onweer of wanneer u deze langere tijd niet gebruikt.
 - Het stopcontact moet in de buurt van de apparatuur zijn geïnstalleerd en eenvoudig te bereiken zijn.
 - Overbelast stopcontacten of verlengsnoeren niet. Overbelasting kan brand of een elektrische schok veroorzaken.
 - Apparaten met een Klasse 1 structuur dienen te worden aangesloten op een stopcontact met een beschermende aardverbinding.
 - Apparaten met een Klasse 2 structuur vereisen geen aardverbinding.
 - Houd altijd de stekker vast wanneer u deze uit het stopcontact trekt. Trek nooit aan de voedingskabel. Dit kan tot een kortsluiting leiden.
 - Gebruik nooit een beschadigde voedingskabel of stekker of een los stopcontact. Dit vormt namelijk een risico op brand of elektrische schokken.
27. Dit apparaat bevat een oplaadbare accu. Probeer de accu niet zelf te vervangen, maar laat breng het naar een servicecentrum voor vervanging van de accu.

INSTALLATIE

- Pak alle onderdelen uit en verwijder de beschermende materialen.
- Sluit het apparaat niet aan op het stopcontact, voordat u de netspanning hebt gecontroleerd en voordat alle andere aansluitingen zijn gemaakt.



Luister niet langdurig naar luide muziek om gehoorbeschadiging te voorkomen. Voortdurende blootstelling aan luide muziek bij gebruik van een hoofdtelefoon kan gehoorbeschadiging veroorzaken. Controleer altijd het volume voordat u een hoofdtelefoon gebruikt. Het gebruik van een hoofdtelefoon tijdens het besturen van een voertuig wordt afgeraden en is in sommige landen verboden. Als u merkt dat het luisteren naar het apparaat u afleidt tijdens het besturen van een voertuig of tijdens het uitvoeren van activiteiten die al uw aandacht vereisen, stop dan met het luisteren naar het apparaat.

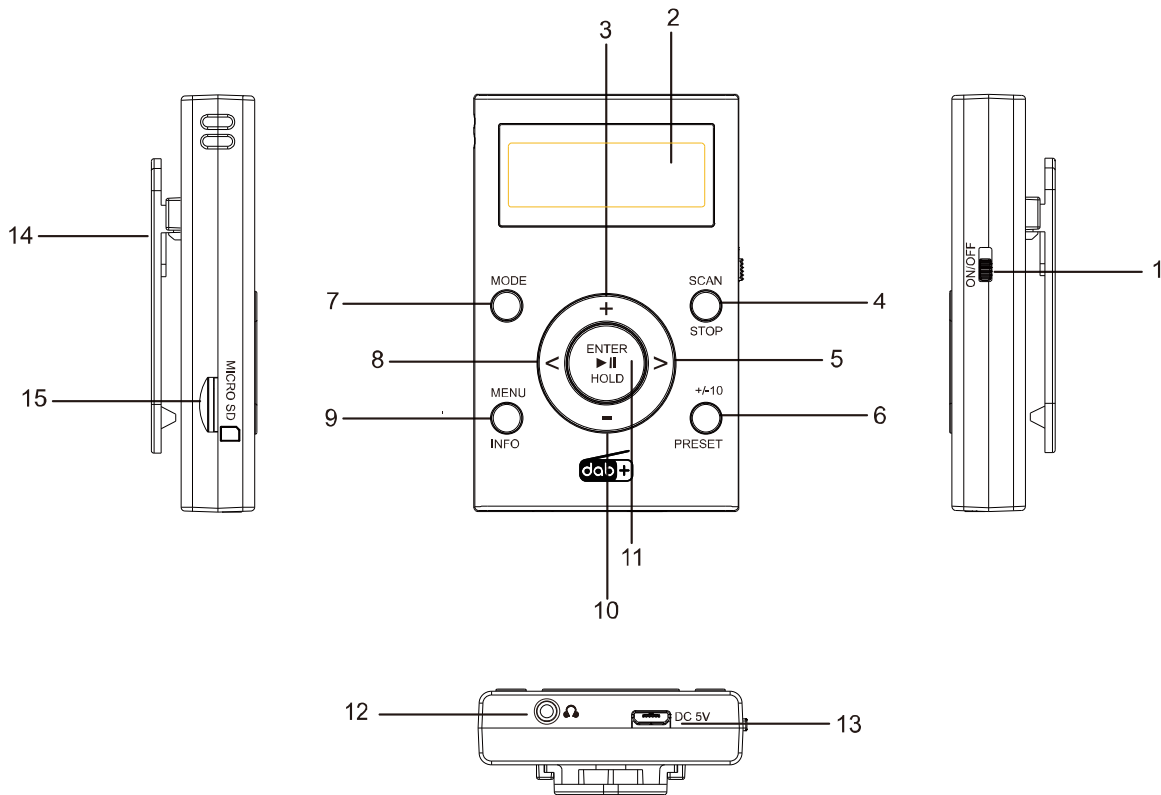
Accessoires:

USB naar micro-USB-kabel



Stereo hoofdtelefoon



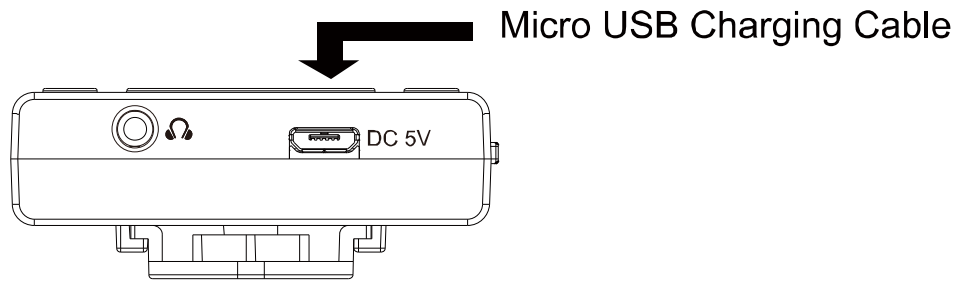


PLAATS VAN DE BEDIENINGSORGANEN

1. In-/uitschakelen
2. LCD-display
3. Volume +
4. Scannen/stoppen
5. Volgende
6. +10/-10 voorkeuzezenders
7. Modus/stand-by
8. Vorige
9. Menu/informatie
10. Volume –
11. Invoeren/afspelen/pauzeren/vergrendelen/ontgrendelen
12. 3,5 mm stereo hoofdtelefoonuitgang
13. Micro-USB DC 5 V voedingsingang
14. Verwijderbare riemclip
15. Micro-SD-slot

VOEDING/ACCU

Sluit de micro-USB-oplaadkabel aan op de DC 5 V voedingsingang van de radio.



EN	NL
Micro USB Charging Cable	Micro-USB-oplaadkabel
DC 5V	DC 5V

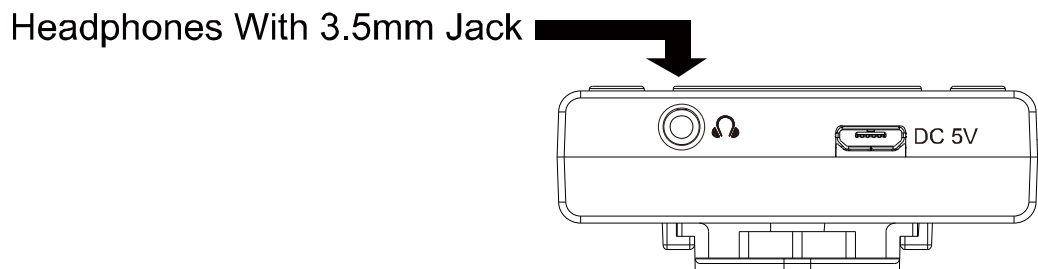
Sluit het andere uiteinde van de micro-USB-oplaadkabel aan op het stopcontact middels een USB-stekker. Het is ook mogelijk om de radio op te laden door het aan te sluiten op de USB-poort van een computer. De radio is in ongeveer 3 uur volledig opgeladen (de oplaadtijd kan variëren, afhankelijk van de oplaadstatus van de accu).

Als de radio in stand-by staat, word het display de datum, tijd (als de optie actief is en de radio is aangesloten op een bron die deze informatie doorgeeft) en de oplaadstatus weergegeven.

OPMERKING: er wordt niets op het display van de radio weergegeven wanneer deze wordt opgeladen terwijl deze is uitgeschakeld.

IN-/UITSCHAKELEN

Sluit de hoofdtelefoon aan op de 3,5 mm stereo hoofdtelefoonuitgang. De radio gebruikt een koptelefoon als antenne om de signaalontvangst te verbeteren.



EN	NL
Headphones With 3.5mm Jack	Hoofdtelefoon met 3,5 mm stekker

Zet de aan/uit-schakelaar op de "On"-stand om de radio in te schakelen. De eerste keer dat de radio wordt ingeschakeld, wordt de DAB-modus geactiveerd en worden de zenders automatisch gescand.

Druk op de "Mode"-toets om de bron te wijzigen.

Zet de aan/uit-schakelaar op de "Off"-stand om de radio uit te schakelen.

Houd de "Mode"-toets ingedrukt om de radio op stand-by te zetten/opnieuw in te schakelen.

TOETSENVERGREDELING

U kunt de toetsen vergrendelen om te voorkomen dat u per ongeluk op een toets drukt.

Houd de "Enter"-toets ingedrukt om het toetsenbord te vergrendelen.

U kunt het toetsenbord ontgrendelen door "Enter" ingedrukt te houden terwijl de radiop vergrendeld is.

VOLUMEREGELING

Druk op de "VOLUME +/-"-toets om het volume in te stellen.

DOOR DE MENU'S NAVIGEREN

Houd de "Menu"-toets om de opties weer te geven. Gebruik de "<"- en ">"-toetsen om door de opties te navigeren en druk op de "Enter"-toets om te bevestigen. Vanuit de opties is het mogelijk terug te keren naar het vorige menu door op de "Menu/Info"-toets te drukken.

DAB-MODUS

Druk meerdere keren op de "Mode"-toets tot de DAB-modus is geselecteerd. De zenders worden de zenders automatisch gescand wanneer u de DAB-modus voor de eerste keer activeert.

Houd de "Scan"-toets ingedrukt om een volledige scan van de zenders uit te voeren.

U kunt door de lijst van opgeslagen zenders bladeren met de "<"- en ">"-toetsen. Druk op de "Enter"-toets om de geselecteerde zender af te spelen.

DAB-informatie op het display weergeven Druk tijdens het luisteren naar een DAB-zender meerdere keren op de "Menu/Info"-toets om de volgende informatie (indien beschikbaar) weer te geven:

- Radiotekst
- Signaalsterkte
- Type programma (zoals NEWS (NIEUWS), SPORT, POP, enz.)
- DAB-kanaal/-zender/-frequentie
- Fouten in het signaal
- Bitrate/type signaal
- Tijd
- Datum

DAB-OPTIES

Houd de "Menu/Info"-toets ingedrukt om het menu te openen en blader door de beschikbare opties met de "<"- en ">"-toetsen en druk op de "Enter"-toets om te bevestigen.

- Full search (Volledig zoeken): hier kunt u een nieuwe scan van de DAB-zenders uitvoeren. Als er geen zender wordt gevonden, wordt er "No DAB station (Geen DAB-zender)" op het display weergegeven. Controleer in dat geval of de hoofdtelefoon correct is aangesloten en/of voor de scan op een andere locatie uit.
- Manual tuning (Handmatig afstemmen): hier kunt u een handmatige scan uitvoeren op basis van de geselecteerde frequentie. Blader door de frequenties met de "<"- en ">"-toets. Selecteer de gewenste frequentie met de "Enter"-toets,. De signaalsterkte en zenderinformatie worden op het display weergegeven. Druk nogmaals op de "Enter"-toets om de selectie te bevestigen en de zenders aan de lijst toe te voegen.
- DRC (dynamisch bereik compressie): de DRC-optie voegt een zekere mate van compressie toe of neemt deze weg voor verschillen in het dynamisch bereik tussen geluidsniveaus. De radiozender moet de DRC-functie ondersteunen.
- Gebruik de "<"- en ">"-toetsen om te selecteren uit gedeactiveerde DRC (geen compressie toegepast), lage DRC (gemiddelde compressie toegepast) of hoge DRC (maximale compressie toegepast) en druk op de "Enter"-toets om te bevestigen. Het sterretje geeft de huidige instelling aan.
- Delete (Verwijderen): met deze optie kunt u zenders die niet meer te ontvangen zijn uit de lijst verwijderen (alleen zenders waarvan de signaalsterkte 0 is, worden verwijderd). Open de "Verwijder"-functie, selecteer met de "<"- en ">"-toetsen "Yes (Ja)" en druk op de "Enter"-toets om te bevestigen
- System (Systeem): zie het hoofdstuk "Instellingen".

OPMERKING: verplaatst/gebruik buiten om de ontvangst te verbeteren, als de DAB-ontvangst niet goed is.

FM-MODUS

Druk meerdere keren op de "Mode"-toets tot de FM-modus is geselecteerd.

De eerste keer dat de FM-modus wordt geactiveerd, stemt de radio af op de eerste frequentie van de FM-band (87,50 MHz). Druk op de "<"- en ">"-toetsen om oor de FM-frequenties te bladeren.

Houd de "<"- of de ">"-toets ingedrukt om automatisch naar de volgende beschikbare FM-zender te zoeken.

U kunt een volledige scan van de FM-band maken en automatisch de eerste 30 beschikbare zenders in de voorkeuzezenders op te slaan door de "Scan"-toets ingedrukt te houden.

RDS-INFORMATIE

Met Radio Data System (RDS) kunnen Fm-zenders extra informatie versturen.

De naam van de zender wordt weergegeven wanneer u afstemt op een FM-zender die RDS-signalen verstuurt.

Druk meerdere keren op de "INFO"-toets om de volgende RDS-informatie (indien beschikbaar) weer te geven:

- Radiotekst

- Type programma (zoals NEWS (NIEUWS), SPORT, POP, enz.)

- Zendfrequentie

- Modus: mono/stereo

- Tijd

- Datum

FM-OPTIES

Houd de "Menu/Info"-toets ingedrukt om het menu op te roepen, blader door de beschikbare opties met de "<"- en ">"-toetsen en druk op de "Enter"-toets om te bevestigen.

- Scan settings (Scaninstellingen): hier kunt u kiezen of u alleen naar zenders met een goed signaal wilt zoeken of alle zenders (ongeacht de signaalsterkte).
- Audio settings (Audio-instellingen): hier kunt u kiezen of u stereo of mono audio wilt gebruiken.

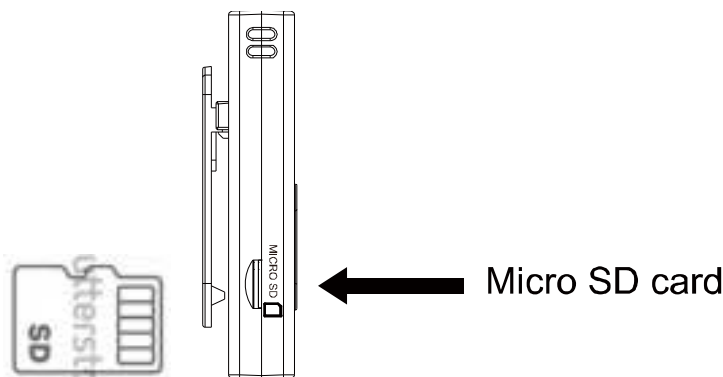
DAB- EN FM-VOORKEUZEZENDERS

Tot 30 DAB-zenders en 30 FM-zenders kunnen in voorkeuzezenders worden opgeslagen. Houd de "Preset"-toets ingedrukt, druk op de "<"- en ">"-toetsen om het gewenste voorkeuzenummer te selecteren en druk op "Enter" om te bevestigen en om de huidige zender op te slaan.

Druk op de "Preset"-toets om de opgeslagen voorkeuorzenders te bekijken, druk op de "<"- en ">"-toetsen om door de voorkeuorzenders te bladeren en druk op de "Enter"-toets om de geselecteerde voorkeuorzender af te spelen.

MICRO-SD-MODUS

Plaats de micro-SD-kaart in de radio zoals aangegeven in de onderstaande afbeelding:



EN	NL
Micro SD card	Micro-SD-kaart

Schakel het apparaat in en druk meerdere keren op de "Mode"-toets totdat de Micro-SD-modus is geselecteerd. Het nummer wordt weergegeven.

Druk op de "Afspelen/Pauze"-toets om het nummer te starten/te pauzeren/afspelen te hervatten.

Stoppen: houd de "Stop"-toets ingedrukt om het afspelen te stoppen.

Vorige/volgende: houd de "<"- of de ">"-toets ingedrukt om naar het vorige/volgende nummer te gaan.

Vooruitspoelen/terugspoelen: houd de "<"- of de ">"-toet ingedrukt om vooruit/terug te spoelen in het nummer dat wordt afgespeeld.

Houd de "Preset"-toets ingedrukt, kies het nummer met de "<"- en ">"-toetsen en druk op de "Enter"-toets om 10 nummers vooruit/terug te spoelen.

HERHALEN: druk meerdere keren “Menu/Info”-toets om te kiezen tussen de opties:
Normaal/één herhalen/alles herhalen/willekeurig.

Opmerking: het is niet mogelijk om bestanden over te zetten naar de micro-SD-kaart door de radio rechtstreeks op een computer aan te sluiten.

INSTELLINGEN

Naast het wijzigen van de DAB- en FM-instellingen is het ook mogelijk de instellingen te wijzigen door de “Menu/Info”-toets ingedrukt te houden en “System (Systeem)” te selecteren:

- Time (Tijd): hier kunt u de datum en tijd wijzigen, het tijdformaat kiezen (12/24 uren) en automatische tijd bijwerken in-/uitschakelen (van elke bron, enkel van DAB, enkel van FM of uitgeschakeld).
- Backlight (Achtergrondverlichting): hier kunt u de helderheid van het display veranderen (hoog/laag).
- Language (Taal): hier kunt u de systeemtaal wijzigen (Italiaans, Frans, Engels, Duits, Nederlands, Spaans)
- Restore default values (Standaardwaarden herstellen): hier kunt u de fabriekswaarden van de radio herstellen.
- Software version (Softwareversie).

Het sterretje naast een optie geeft de huidige instelling aan.

Probleemoplossing

Probleem	Oplossing
De radio schakelt niet in.	Controleer of de radio is opgeladen en of de schakelaar op de “On”-stand staat.
De toetsen werken niet.	Controleer en verwijder zo nodig de toetsenvergrendeling.
Geen geluid.	Stel het volume naar wens in en controleer de werking van de hoofdtelefoon.
De radio schakelt uit in de Micro-SD-modus.	Controleer of er enkel ondersteunde bestanden op de micro-SD-kaart zijn geplaatst.
De radio licht op maar speelt geen nummers af.	Controleer dat de bestanden die op het aangesloten apparaat worden afgespeeld, worden ondersteund.
De ontvangst is slecht/het afspelen stopt in de FM-/DAB-modus.	Ga naar een plaats met betere ontvangst (bijvoorbeeld buiten).

TECHNISCHE SPECIFICATIES

Draagbare DAB-/FM-radio

Elektronisch PLL-/RDS-/FM-afstemming

Automatisch zoeken naar DAB-/FM-radiozenders

Voorkeuzezenders: 30 FM-30 DAB

Afspelen van MP3-bestanden via micro-SD-kaart (max. 32 GB)

Lcd-display met instelbare helderheid (hoog/laag)

3,5 mm hoofdtelefoonuitgang (hoofdtelefoon inbegrepen)

Draagriem

Riemclip

Ingebouwde 3,7 V/ 550 mAh oplaadbare lithiumaccu

Micro-USB DC 5 V voedingsingang (micro-USB-oplaadkabel inbegrepen, voedingsadapter niet inbegrepen)

Afmetingen: 5,4x8,5x2,1 cm (LxHxD)

Gewicht: 62 gr.

Garantie

Lenco biedt service en garantie aan overeenkomstig met de Europese wetgeving. Dit houdt in dat u, in het geval van reparaties (zowel tijdens als na de garantieperiode), uw lokale handelaar moet contacteren.

Belangrijke opmerking: Het is niet mogelijk om producten die moeten worden gerepareerd rechtstreeks naar Lenco te sturen.

Belangrijke opmerking: de garantie verloopt als een onofficieel servicecenter het apparaat op wat voor manier dan ook heeft geopend, of er toegang toe heeft gekregen.

Het apparaat is niet geschikt voor professioneel gebruik. In het geval van professioneel gebruik worden alle garantieverplichtingen van de fabrikant nietig verklaard.

Disclaimer

Er worden regelmatig updates in de firmware en/of hardwarecomponenten gemaakt. Daardoor kunnen gedeelten van de instructie, de specificaties en afbeeldingen in deze documentatie enigszins verschillen van uw eigen situatie. Alle onderwerpen die staan beschreven in deze handleiding zijn bedoeld als illustratie en zijn niet van toepassing op specifieke situaties. Aan de beschrijving in dit document kunnen geen rechten worden ontleend.

Afvoer van het oude apparaat



Dit symbool geeft aan dat het betreffende elektrische product of de accu/batterij niet mag worden verwijderd als algemeen huishoudelijk afval in Europa. Zorg voor een juiste afvalverwerking door het product en de accu/batterij in overeenstemming met alle van toepassing zijnde lokale wetten voor het verwijderen van elektrische apparatuur of accu's/batterijen te verwijderen. Als u dit doet, helpt u de natuurlijke bronnen te behouden en de standaard van milieubescherming te verbeteren bij de behandeling en verwijdering van elektrisch afval (Afgedankte Elektrische en Elektronische Apparatuur).

CE-markering

Lenco Benelux B.V., Thermiekstraat 1a, 6361 HB Nuth, Nederland, verklaart hierbij dat dit product voldoet aan de vereisten van de essentiële EU-richtlijnen.

De verklaring van conformiteit kan worden aangevraagd via techdoc@commaxxgroup.com



Service

Voor meer informatie en ondersteuning van de helpdesk, kunt u terecht op www.lenco.com

Lenco Benelux BV, Thermiekstraat 1a, 6361 HB, Nuth, Nederland.

ACHTUNG:

Eine andere als die hier beschriebene Bedienung, Einstellung oder Verwendung der Funktionen kann zu gefährlicher Strahlenbelastung führen.

VORSICHTSMASSNAHMEN VOR DER BENUTZUNG

BEFOLGEN SIE IMMER FOLGENDE ANWEISUNGEN:

1. Stellen Sie das Gerät entsprechend den Anweisungen der mitgelieferten Bedienungsanleitung auf.
2. Halten Sie das Gerät von Hitzequellen wie Radiatoren, Heizern, Öfen, Kerzen oder anderen hitzeerzeugenden Produkten oder offenen Flammen fern. Das Gerät darf nur bei gemäßigtem Klima verwendet werden. Sehr kalte oder heiße Umgebungen sind zu vermeiden. Der Betriebstemperaturbereich liegt zwischen 0 °C und 35 °C.
3. Meiden Sie bei der Nutzung des Produkts die Nähe starker Magnetfelder.
4. Elektrostatische Entladungen können die normale Verwendung von diesem Gerät stören. Sollte dies geschehen, führen Sie einfach einen Reset aus und starten Sie dann das Gerät entsprechend den Anweisungen dieser Bedienungsanleitung neu. Gehen Sie besonders bei Datenübertragungen mit dem Gerät vorsichtig um und führen Sie diese nur in einer antielektrischen Umgebung aus.
5. Warnung! Niemals Gegenstände durch die Lüftungsschlitze oder Öffnungen in das Gerät stecken. In diesem Gerät fließt Hochspannung und das Hineinstecken von Gegenständen kann zu elektrischem Schock und/oder Kurzschluss interner elektrischer Bauteile führen. Aus dem gleichen Grund kein Wasser oder Flüssigkeiten in das Gerät geben.
6. Benutzen Sie das Gerät nicht in nasser oder feuchter Umgebung wie Bad, Dampfküche oder in der Nähe von Schwimmbecken.
7. Das Gerät darf weder Tropf- noch Spritzwasser ausgesetzt werden und es dürfen keine mit Flüssigkeit gefüllten Behälter wie z.B. Vasen auf das Gerät oder in der Nähe des Gerätes gestellt werden.
8. Benutzen Sie das Gerät nicht bei Kondensationsgefahr. Wenn Sie das Gerät in einem warmen feuchten Raum benutzen, dann können sich im Inneren des Geräts Wassertropfen oder Kondensationen bilden und zu Fehlfunktionen des Geräts führen. Schalten Sie in diesem Fall das Gerät für 1 – 2 Stunden aus, bevor Sie es erneut einschalten: Das Gerät sollte vollständig getrocknet sein, wenn Sie es wieder einschalten.
9. Obwohl dieses Gerät unter größter Sorgfalt und vor Auslieferung mehrmals überprüft wurde, können trotzdem wie bei jedem anderen elektrischen Gerät auch Probleme auftauchen. Trennen Sie das Gerät im Falle einer Rauchentwicklung, starker Hitzeentwicklung oder jeden anderen unnatürlichen Erscheinung sofort vom Netz.
10. Dieses Gerät ist durch eine Stromquelle wie auf dem Typenschild angegeben zu betreiben. Halten Sie bei Unsicherheiten über die Art Ihrer Stromversorgung in Ihrer Wohnung Rücksprache mit Ihrem Händler oder Ihrer Stromzuliefererfirma.
11. Halten Sie es von Haustieren fern. Einige Nagetiere lieben es, an Netzkabeln zu nagen.
12. Benutzen Sie für die Reinigung ein weiches und trockenes Tuch. Benutzen Sie niemals Lösungsmittel oder Flüssigkeiten auf Ölbasis. Benutzen Sie zum Entfernen hartnäckiger Flecken ein feuchtes Tuch mit mildem Reinigungsmittel.
13. Der Hersteller haftet nicht für Schäden oder Verluste durch Fehlfunktion, Zweckentfremdung oder Modifikation des Geräts oder durch Wechseln der Batterien.
14. Unterbrechen Sie die Verbindung nicht während einer Formatierung oder einer Datenübertragung. Bei Unterbrechung drohen Datenverlust und Datenbeschädigung.
15. Wenn das Gerät eine USB-Wiedergabefunktion besitzt, dann stecken Sie den USB-Stick direkt in das Gerät. Verwenden Sie kein USB-Verlängerungskabel, weil die erhöhte Störungsanfälligkeit zu Datenverlust führen könnte.
16. Das Typenschild befindet sich an der Unter- oder Rückseite des Geräts.

17. Dieses Gerät ist nicht zur Benutzung durch Personen (einschließlich Kinder) mit physischen, sensorischen oder mentalen Beeinträchtigungen oder ohne ausreichender Erfahrung vorgesehen, es sei denn, sie werden durch eine verantwortliche Person beaufsichtigt oder wurden in die ordnungsgemäße Bedienung des Gerätes durch eine für ihre Sicherheit verantwortliche Person eingewiesen.
18. Dieses Produkt ist nur für den nicht-professionellen Gebrauch und nicht für gewerbliche oder industrielle Zwecke bestimmt.
19. Stellen Sie sicher, dass das Gerät in einer stabilen Position aufgestellt ist. Schäden aufgrund Verwendung dieses Produkts in einer instabilen Position, Vibrationen, Stöße oder Nichtbeachtung der anderen in dieser Bedienungsanleitung enthaltenen Warnungen und Sicherheitshinweise werden nicht durch die Garantie abgedeckt.
20. Entfernen Sie niemals das Gehäuse dieses Produkts.
21. Stellen Sie das Produkt niemals auf andere elektrische Geräte.
22. Halten Sie Kinder von den Plastiktüten fern.
23. Benutzen Sie nur vom Hersteller spezifizierte Erweiterungen/Zubehörteile.
24. Lassen Sie alle Eingriffe von qualifiziertem Servicepersonal ausführen. Eingriffe werden notwendig, wenn das Gerät auf irgendeine Weise wie beispielsweise am Netzkabel oder am Netzstecker beschädigt wurde, Flüssigkeit in das Gerät eingedrungen ist, Gegenstände in das Gerät gefallen sind, das Gerät Regen oder Feuchtigkeit ausgesetzt war, es heruntergefallen ist oder nicht ordnungsgemäß funktioniert.
25. Langes Hören lauter Töne aus einem Musikgerät kann zum zeitweiligen oder permanenten Hörverlust führen.
26. Wenn zum Lieferumfang des Produkts ein Netzkabel oder ein Netzadapter gehört:
 - Wenn irgendwelche Probleme auftreten, dann ziehen Sie den Netzstecker aus der Netzsteckdose und setzen Sie sich anschließend mit einer qualifizierten Fachkraft in Verbindung.
 - Treten Sie nicht auf das Netzteil und klemmen Sie es auch nicht ein. Geben Sie besonders im näheren Bereich des Steckers und der Stelle acht, wo das Kabel aus dem Gerät herausgeführt wird. Stellen Sie keine schweren Gegenstände auf das Netzteil, weil es dadurch beschädigt werden könnte. Halten Sie das gesamte Gerät außerhalb der Reichweite von Kindern! Durch Spielen mit dem Netzkabel können sie sich ernsthafte Verletzungen zuziehen.
 - Trennen Sie das Gerät während eines Gewitters oder bei längerer Nichtbenutzung vom Netz.
 - Die Wandsteckdose muss sich in der Nähe des Geräts befinden und einfach zu erreichen sein.
 - Steckdosen und Verlängerungsleitungen nicht überlasten. Eine Überlastung kann zu Brandgefahr bzw. Stromschlag führen.
 - Geräte der Schutzklasse 1 sind an eine Netzsteckdose mit Schutzleiter anzuschließen.
 - Geräte der Schutzklasse 2 benötigen keinen Schutzleiteranschluss.
 - Halten Sie den Netzstecker in der Hand, wenn Sie ihn aus der Netzsteckdose ziehen. Ziehen Sie ihn nicht durch Zерren am Kabel heraus. Das kann zu einem Kurzschluss führen.
 - Verwenden Sie weder ein beschädigtes Netzkabel noch einen beschädigten Stecker oder eine lockere Steckdose. Es besteht Brand- und Stromschlaggefahr.
27. Dieses Gerät enthält einen wiederaufladbaren Akku. Versuchen Sie nicht, ihn selbst auszutauschen, sondern bringen Sie das Gerät zu einem Servicecenter.
28. Warnhinweise bzgl. der Verwendung von Batterien:
 - Es besteht Explosionsgefahr, wenn die Batterien nicht korrekt eingelegt werden. Nur mit Batterien des gleichen oder entsprechenden Typs ersetzen.
 - Die Batterie darf während der Benutzung, Aufbewahrung oder des Transports weder sehr hohen oder sehr niedrigen Temperaturen noch niedrigem Luftdruck in großen Höhenlagen ausgesetzt werden.

- Die Ersetzung der Batterie mit einem falschen Batterietyp kann zum Explodieren der Batterie oder dem Auslaufen von entflammbarem Gas oder entflammbarer Flüssigkeit aus der Batterie führen.
- Die Entsorgung der Batterie in Feuer oder einem heißen Ofen oder das mechanische Zerkleinern oder Zerteilen der Batterie kann zu Explosionen führen.
- Das Verbleiben der Batterie in einer Umgebung mit sehr hohen Temperaturen kann zum Explodieren der Batterie oder dem Auslaufen von entflammbarem Gas oder entflammbarer Flüssigkeit führen.
- Eine einem sehr niedrigen Luftdruck ausgesetzte Batterie kann explodieren oder es kann aus einer einem sehr niedrigen Luftdruck ausgesetzten Batterie entflammbares Gas oder entflammbare Flüssigkeit auslaufen.
- Augenmerk ist auf den ökologischen Aspekt der Batterieentsorgung zu legen.

ANSCHLUSS

- Packen Sie alle Teile aus und entfernen Sie danach die Schutzmaterialien.
- Schließen Sie das Gerät nicht eher an das Netz an, bevor Sie die Netzspannung überprüft haben und alle anderen notwendigen Verbindungen hergestellt sind.



Hören Sie Inhalte mit hohem Lautstärkepegel nicht über einen längeren Zeitraum an, um Hörschäden vorzubeugen. Das während der Benutzung von Kopf-/Ohrhörern dauerhaft hoher Lautstärke ausgesetzt sein kann zu Hörschäden führen. Überprüfen Sie vor der Benutzung von Kopf-/Ohrhörern immer die Lautstärke. Die Benutzung von Kopf-/Ohrhörern während des Steuerns von Fahrzeugen wird nicht empfohlen und ist in einigen Ländern strafbar. Wenn Sie merken, dass das Hören von Inhalten über das Gerät Ihre Konzentration beim Steuern eines Fahrzeuges oder der Ausübung anderer Tätigkeiten beeinträchtigt, dann beenden Sie das Hören der Inhalte über das Gerät.

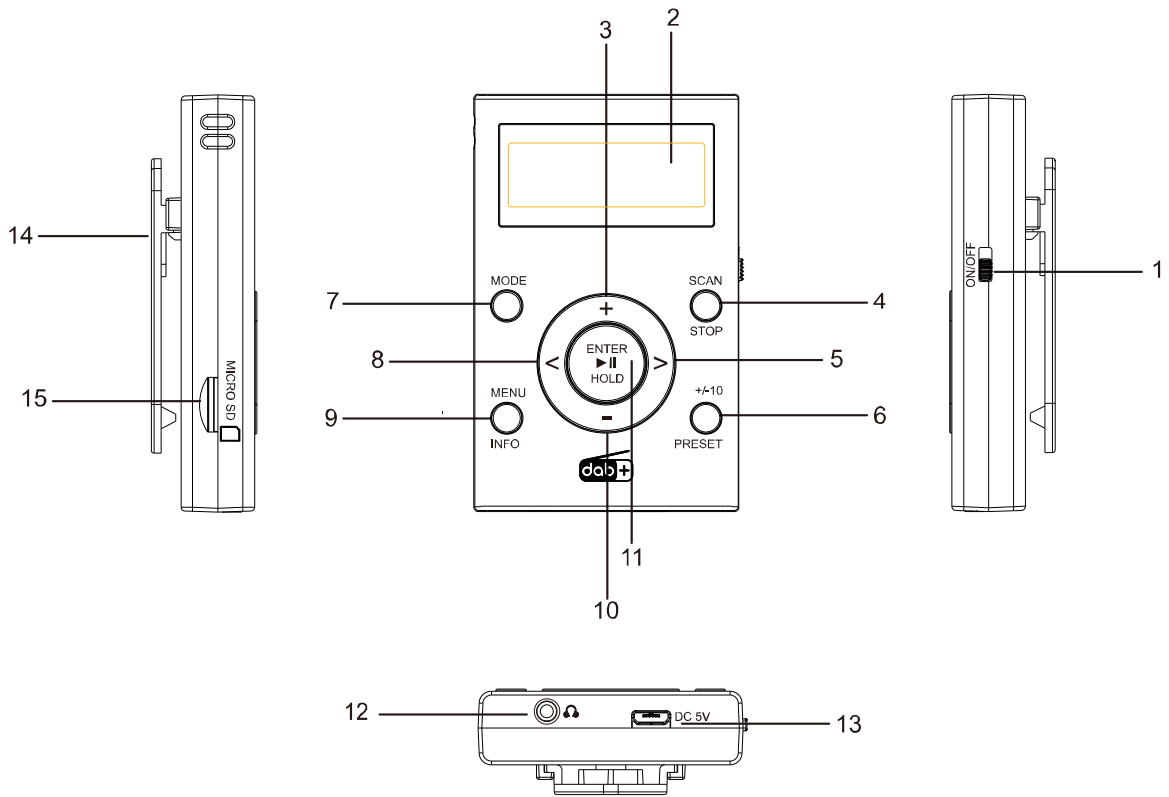
Zubehör:

USB-auf-Micro-USB-Kabel



Stereo-Ohrhörer



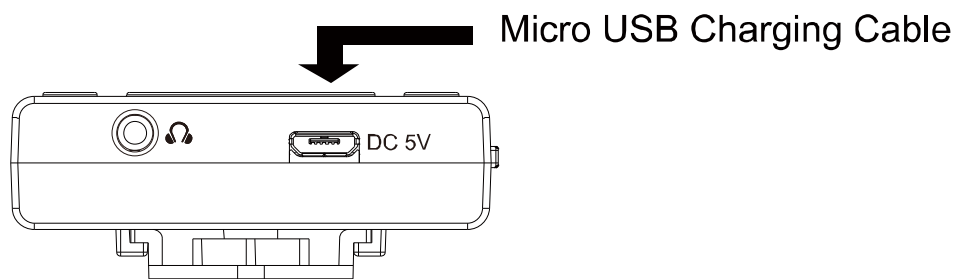


LAGE DER BEDIENELEMENTE

1. Ein-/Ausschalten
2. LCD-Display
3. Lautstärke anheben
4. Scannen/Stopp
5. Abstimmen aufwärts/Vorspringen
6. Radiosenderspeicherplatz/+10 Titel/-10 Titel
7. Modus/Standby
8. Abstimmen abwärts/Zurückspringen
9. Menü/Informationen
10. Lautstärke verringern
11. Enter/Wiedergabe/Pause/Sperren/Entsperren
12. 3,5-mm-Stereokopfhörerbuchse
13. 5-V-DC-microUSB-Stromversorgungseingang
14. Abnehmbarer Gürtelclip
15. microSD-Kartenschacht

NETZ-/BATTERIEBETRIEB

Schließen Sie das microUSB-Ladekabel an der 5-V-DC-microUSB-Stromversorgungsbuchse des Radios an.



EN	DE
Micro USB Charging Cable	MicroUSB-Ladekabel
DC 5V	5 V DC

Schließen Sie die andere Seite des microUSB-Kabels an der USB-Stromversorgungsquelle an. Sie können das Gerät auch laden, indem Sie es an einem USB-Port eines Computers anschließen. Im

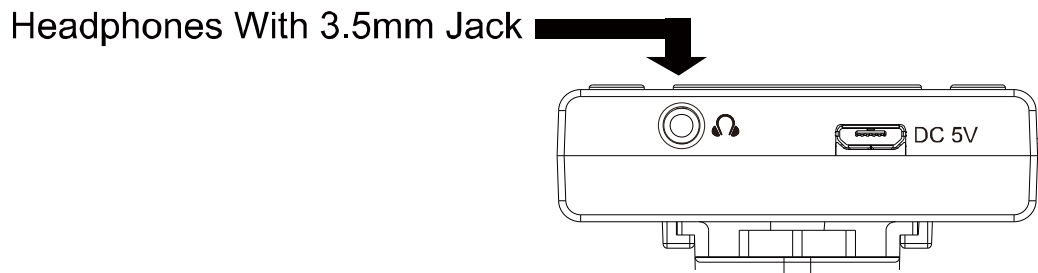
Allgemeinen sollte das Radio nach 3 Stunden geladen sein (die Ladedauer ist von der Batterierestladung abhängig).

Wenn sich das Gerät im Standby-Modus befindet, dann wird auf dem Display das Datum, die Uhrzeit (wenn diese Option aktiviert ist und das Radio einen Signalquelle empfängt, die diese Informationen ausstrahlt) und die Batterierestladung angezeigt.

HINWEIS: Auf dem Display des Geräts wird nichts angezeigt, wenn das Gerät geladen wird und dessen Batterie vollständig entleert war. Laden Sie das Gerät regelmäßig, um einem vollständigen Entladen der Batterie vorzubeugen.

Ein-/Ausschalten

Schließen Sie einen Kopf-/Ohrhörer mit 3,5-mm-Klinkenstecker an der Kopfhörerbuchse des Geräts an. Das Gerät benutzt die Kopfhörer als Antenne, um den Signalempfang zu verbessern.



EN	DE
Headphones With 3.5mm Jack	Kopf-/Ohrhörer mit 3,5-mm-Klinkenstecker

Stellen Sie den Ein/Aus-Schalter auf die ON-Position, um das Gerät einzuschalten. Wenn Sie das Gerät das erste Mal einschalten, dann wechselt es automatisch in den DAB-Modus und scannt automatisch nach verfügbaren Radiosendern.

Durch Drücken der MODE-Taste können Sie die Signalquelle ändern.

Stellen Sie den Ein/Aus-Schalter auf die OFF-Position, um das Gerät auszuschalten. Drücken Sie die MODE-Taste lang, um das Gerät erneut einzuschalten oder um in den Standby-Modus zu wechseln.

Tastensperre

Sie können das Gerät sperren, um versehentlichen Tastenbetätigungen vorzubeugen.

Drücken Sie die ENTER-Taste lang, um das Tastenfeld zu sperren.

Sie können das gesperrte Gerät wieder entsperren, indem Sie die ENTER-Taste erneut gedrückt halten.

LAUTSTÄRKEREGELUNG

Drücken Sie die Lautstärke anheben und Lautstärke verringern-Taste, um den Lautstärkepegel einzustellen.

NAVIGATION IN MENÜS

Drücken Sie die MENU-Taste lang, um die Menüoptionen anzeigen zu lassen. Navigieren Sie mit Hilfe der <- und >-Taste zwischen den Auswahlmöglichkeiten und bestätigen Sie Ihre Auswahl durch Drücken der ENTER-Taste. Durch Drücken der MENU-Taste können Sie zum vorherigen Menü zurückkehren.

DAB-MODUS

Drücken Sie mehrmals die MODE-Taste solange, bis Sie den DAB-Modus ausgewählt haben.

Wenn Sie den DAB-Modus das erste Mal benutzen, dann scannt das Gerät automatisch nach Radiosendern.

Wenn Sie einen vollständigen Scan ausführen möchten, dann drücken Sie die SCAN-Taste lang.

Mit Hilfe der Vorheriger und Nächster-Taste können Sie die Liste der gespeicherten Radiosender durchsuchen. Drücken Sie die ENTER-Taste, um den ausgewählten Radiosender wiedergeben zu lassen.

Anzeige von DAB-Informationen auf dem Display

Wenn Sie einen DAB-Radiosender anhören, dann können Sie sich durch mehrmaliges Drücken der MENU/INFO-Taste die nachstehenden Informationen (wenn verfügbar) anzeigen lassen:

- Radiotext
- Signalstärke
- Programmtyp (wie beispielsweise „NEWS“ (NACHRICHTEN), „SPORT“, „POP“ usw.)
- DAB-Kanal/Radiosenderfrequenz
- Signalfehlerrate

- Bitrate/Signaltyp
- Uhrzeit
- Datum

DAB-Menüoptionen

Halten Sie die MENU/INFO-Taste gedrückt, um das DAB-Menü anzeigen zu lassen, scrollen Sie anschließend mit Hilfe der <- oder >-Taste durch die verfügbaren Menüoptionen und bestätigen Sie Ihre Auswahl durch Drücken der ENTER-Taste:

- „Full search“ (Vollständige Suche): Hierüber können Sie einen neuen Scan nach DAB-Radiosendern durchführen lassen.
Wenn kein DAB-Radiosender gefunden werden sollte, dann wird auf dem Display „No DAB station“ (Kein DAB-Radiosender) angezeigt. Überprüfen Sie in diesem Fall, ob der Kopf-/Ohrhörerstecker ordnungsgemäß in der Kopfhörerbuchse steckt und/oder führen Sie einen erneuten Scan an einem anderen Standort aus.
- „Manual tuning“ (Manuelle Abstimmung): Hierüber können Sie basierend auf der ausgewählten Frequenz einen manuellen Scan durchführen lassen. Scrollen Sie mit Hilfe der <- oder >-Taste durch die Frequenzen. Wenn Sie die gewünschte Frequenz durch Drücken der ENTER-Taste auswählen, dann werden Signalstärke und Informationen zum Radiosender angezeigt. Wenn Sie Ihre Auswahl durch erneutes Drücken der ENTER-Taste bestätigen, dann wird dieser Radiosender der Radiosenderliste hinzugefügt.
- Komprimieren des Dynamikbereichs (DRC): Die DRC-Option fügt eine gewisse Kompensation für Unterschiede im Dynamikbereich zwischen den Schallpegeln hinzu oder entfernt diese. Der Radiosender muss die DRC-Funktion unterstützen.
- Durch Drücken der „Vor“- oder „Zurück“-Taste können Sie zwischen „deactivated DRC“ (Dynamikbereichskompression deaktiviert), „low DRC“ (durchschnittliche Dynamikbereichskompression) oder „high DRC“ (maximale Dynamikbereichskompression) auswählen. Bestätigen Sie Ihre Auswahl durch Drücken der ENTER-Taste. Das Sternchen markiert die aktuelle Einstellung.
- „Delete“ (Bereinigen): Mit dieser Option können Sie Radiosender aus der Radiosenderliste löschen lassen, die nicht länger empfangen werden können (es werden nur Radiosender gelöscht, deren Signalstärke 0 beträgt). Wenn Sie „Delete“ (Bereinigen) ausgewählt haben, dann wählen Sie mit Hilfe der <- oder >-Taste „Yes“ (Ja) aus und bestätigen Sie Ihre Auswahl durch Drücken der ENTER-Taste.
- „System“: Schlagen Sie hierfür unter dem Kapitel „PRODUCT SETTINGS“ (PRODUKTEINSTELLUNGEN) nach.

HINWEIS: Wenn der DAB-Empfang nicht gut sein sollte, dann ist es empfehlenswert, das Gerät umzustellen oder es im Freien zu benutzen, um den Empfang zu verbessern.

FM-MODUS

Drücken Sie mehrmals die MODE-Taste solange, bis Sie den FM-Modus ausgewählt haben. Wenn Sie den FM-Modus das erste Mal auswählen, dann stellt das Gerät automatisch die unterste Frequenz des FM-Bereiches (87,50 MHz) ein. Durch Drücken der <- oder >-Taste können Sie durch die FM-Frequenzen scrollen.

Halten Sie die <- oder >-Taste gedrückt, um automatisch nach dem nächsten verfügbaren FM-Radiosender suchen zu lassen.

Sie können einen kompletten Scan des FM-Bandes durchführen und die ersten 30 verfügbaren FM-Radiosender speichern lassen, indem Sie die SCAN-Taste gedrückt halten.

RDS-Informationen

Das Radiodatensystem (RDS) ermöglicht FM-Radiosendern die Übertragung zusätzlicher Informationen.

Wenn Sie einen FM-Radiosender einstellen, der RDS-Informationen ausstrahlt, dann werden diese Informationen auf dem Display angezeigt. Drücken Sie mehrmals die INFO-Taste, um sich nacheinander die einzelnen RDS-Informationen (wenn verfügbar) anzeigen zu lassen:

- Radiotext
- Programmtyp (wie beispielsweise „NEWS“ (NACHRICHTEN), „SPORT“, „POP“ usw.)
- Frequenz
- Mono/Stereo
- Uhrzeit
- Datum

FM-Menüoptionen

Halten Sie die MENU/INFO-Taste gedrückt, um das FM-Menü anzeigen zu lassen, scrollen Sie anschließend mit Hilfe der <- oder >-Taste durch die verfügbaren Menüoptionen und bestätigen Sie Ihre Auswahl durch Drücken der ENTER-Taste:

- „Scan settings“ (Scan-Einstellungen): Hierüber können Sie auswählen, ob Sie nur nach Radiosendern mit starkem Signal oder nach allen Radiosendern (unabhängig Ihrer Signalstärke) suchen möchten.

- „Audio settings“ (Audioeinstellungen): Hierüber können Sie auswählen, ob das Audio in Mono oder Stereo ausgegeben werden soll.

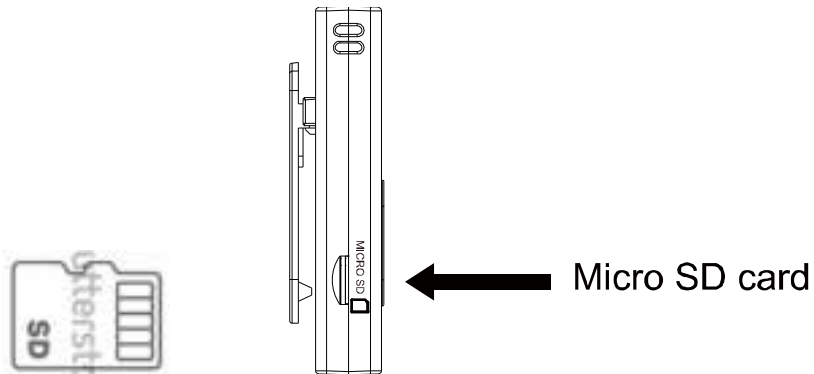
DAB- UND FM-RADIOSENDERSPEICHERPLÄTZE

Auf den Radiosenderspeicherplätzen können Sie bis zu 30 DAB- und 30 FM-Radiosender speichern.

Wenn Sie den aktuell eingestellten Radiosender speichern möchten, dann halten Sie die PRESET-Taste gedrückt und wählen Sie anschließend mit Hilfe der <- oder >-Taste den gewünschten Speicherplatz aus. Bestätigen Sie Ihre Auswahl durch Drücken der ENTER-Taste. Wenn Sie die auf den Radiosenderspeicherplätzen gespeicherten Radiosender anzeigen lassen möchten, dann drücken Sie die PRESET-Taste und scrollen Sie anschließend mit Hilfe der <- oder >-Taste durch die Liste der gespeicherten Radiosender. Starten Sie die Wiedergabe des ausgewählten Radiosenders durch Drücken der ENTER-Taste.

MICRO-SD-MODUS

Stecken Sie wie in nachstehender Abbildung gezeigt eine microSD-Karte in den Kartenschacht des Geräts:



EN	DE
Micro SD card	microSD-Karte

Schalten Sie das Gerät ein und drücken Sie mehrmals die MODE-Taste solange, bis Sie den microSD-Modus ausgewählt haben. Die microSD-Karte wird eingelesen und auf dem Display die Titelnummer angezeigt.

Starten, Pausieren und Fortsetzen der Wiedergabe: Drücken Sie zum Starten, Pausieren und

Fortsetzen der Wiedergabe die Wiedergabe-/Pausetaste.

Beenden der Wiedergabe: Drücken Sie die STOP-Taste, um die Wiedergabe zu beenden. Halten Sie die STOP-Taste gedrückt, um zum ersten Titel zurückzuspringen.

Nächster/Vorheriger Titel: Drücken Sie die >- oder <-Taste, um zum nächsten oder vorherigen Titel zu springen.

Schnell vor-/zurückspulen: Halten Sie die >- oder <-Taste gedrückt, um den Titel schnell vor- oder zurückzuspulen.

10 Titel vor-/zurückspringen: Drücken Sie die PRESET-Taste lang und wählen Sie anschließend die Zehnerstelle der Titelnummer durch Drücken der >- (+10 Titel) oder <-Taste (-10 Titel) aus.

Bestätigen Sie Ihre Auswahl durch Drücken der ENTER-Taste.

Titelwiederholung: Drücken Sie mehrmals die MENU/INFO-Taste, um eine der Optionen „Normal (Normal)“, „Repeat one“ (Einzeltitelwiederholung), „Repeat all“ (Gesamttitelwiederholung) oder „Random“ (Zufallswiedergabe) auszuwählen.

Hinweis: Es ist nicht möglich, durch Anschließen an den Computer Daten direkt auf die microSD-Karte zu übertragen.

PRODUKTEINSTELLUNGEN

Neben der Änderung der DAB- und FM-Einstellungen können Sie durch Gedrückt halten der MENU/INFO-Taste auch die nachstehenden Produkteinstellungen ändern, indem Sie die Menüoption „System“ auswählen:

- „Time“ (Uhrzeit): Hierüber können Sie die Uhrzeit und das Datum ändern, das Zeitformat („12H“ (12-h-Anzeige)/„24H“ (24-h-Anzeige)) auswählen und das automatische Aktualisieren der Uhrzeit („from any source“ (über beliebiger Quelle), „only from DAB“ (Nur über DAB), „only from FM“ (Nur über FM) oder „disabled“ (Deaktiviert)) aktivieren oder deaktivieren.
- „Backlight“ (Hintergrundbeleuchtung): Hierüber können Sie die Helligkeit des Displays („high“ (Hoch) / „low“ (Gering)) ändern.
- „Language“ (Sprache): Hierüber können Sie die Systemsprache („Italian“ (Italienisch), „French“ (Französisch), „English“ (Englisch) „German“ (Deutsch) „Dutch“ (Niederländisch), „Spanish“ (Spanisch) ändern.
- „Restore default values“ (Auf Werkseinstellung rücksetzen): Hierüber können Sie die Einstellungen des Geräts auf die standardmäßige Werkseinstellung rücksetzen.
- „Software version“ (Softwareversion).

Das Sternchen bei einer Option zeigt die aktuelle Einstellung an.

Troubleshooting

Problem	Solution
It won't turn on	Check that the reader is charged and that the switch is on the ON position.
The keys don't work	Check and if necessary remove the key lock.
No sound	Adjust the volume to the desired level and check the operation of the earphones.
The product turns off in Micro SD mode	Check that only supported files are inserted inside the Micro SD.
Lights up but does not play any tracks	Make sure that the files playing on the connected device are supported.
Reception is poor / playback stops in FM / DAB mode	Move to a position with better reception (for example outdoors).

Problembhebung

Problem	Lösung
Das Gerät schaltet sich nicht ein	Überprüfen Sie, ob das Radio ausreichend geladen ist und sich der EIN/AUS-Schalter auf der ON-Position befindet.
Keine Reaktion bei Tastendruck	Überprüfen Sie, ob die Tastensperre aktiviert ist und deaktivieren Sie sie bei Bedarf.
Kein Ton	Stellen Sie den gewünschten Lautstärkepegel ein und überprüfen Sie, ob Ihre Kopf-/Ohrhörer ordnungsgemäß funktionieren.
Das Gerät schaltet sich im microSD-Modus aus	Vergewissern Sie sich, dass sich auf der microSD-Karte nur Dateien befinden, die unterstützt werden.
Das Gerät ist eingeschaltet, aber es werden keine Titel wiedergegeben	Vergewissern Sie sich, dass die Dateien auf der microSD-Karte unterstützt werden.
Schlechter Empfang/Unterbrochene Wiedergabe im FM-/DAB-Modus	Stellen Sie das Gerät an einem Ort mit besserem Empfang (z. B. im Freien) auf.

TECHNISCHE DATEN

Tragbares DAB/DAB+/FM-Radio

Elektronische Abstimmung PLL/RDS/FM

Automatische Suche nach DAB-/FM-Radiosendern

Radiosenderspeicherplätze: 30 (FM) + 30 (DAB)

MP3-Dateiwiedergabe über microSD-Kartenschacht (bis max. 32-GB-microSD-Karten)

LCD-Display mit einstellbarer Helligkeit (hoch /gering)

3,5-mm-Kopfhörerbuchse (Ohrhörer im Lieferumfang enthalten)

Trageband

Gürtelhalter

Eingebaute wiederaufladbare Lithium-Batterie (3,7 V/550 mAh)

5-V-DC-microUSB-Stromversorgungseingang (microUSB-Kabel im Lieferumfang enthalten,

USB-Netzadapter NICHT im Lieferumfang enthalten)

Abmessung: 5,4 (L) x 8,5 (H) x 2,1 (D) cm

Gewicht: 62 g

Garantie

Lenco bietet Leistungen und Garantien im Einklang mit Europäischem Recht. Setzen Sie sich deshalb im Falle von Reparaturen (sowohl während als auch nach Ablauf der Garantiezeit) mit Ihrem Fachhändler in Verbindung.

Wichtiger Hinweis: Es ist nicht möglich, Produkte für Reparaturen direkt an Lenco zu schicken.

Wichtiger Hinweis: Wenn dieses Gerät für welchen Grund auch immer durch ein nicht offizielles Servicezentrum geöffnet wurde oder durch dieses Servicezentrum darauf zugegriffen wurde, erlischt die Garantie.

Dieses Gerät ist nicht für professionelle Zwecke geeignet. Falls das Gerät für professionelle Zwecke eingesetzt wird, erlöschen alle Garantieverpflichtungen seitens des Herstellers.

Haftungsausschluss

Aktualisierungen der Firmware und/oder Hardware-Komponenten werden regelmäßig durchgeführt. Aus diesem Grund können einige der Anleitungen, Spezifikationen und Abbildungen in dieser Dokumentation zu dem Ihnen vorliegenden Gerät leicht abweichen. Alle in diesem Handbuch beschriebenen Elemente dienen nur zur Illustration und treffen auf Ihre individuelle Situation möglicherweise nicht zu. Aus der in diesem Handbuch getätigten Beschreibung können keine Rechtsansprüche oder Leistungsanforderungen geltend gemacht werden.

Entsorgung des Altgeräts



Dieses Symbol zeigt an, dass das entsprechende Produkt oder dessen Akku/Batterie in Europa nicht mit dem normalen Hausmüll entsorgt werden darf. Um die ordnungsgemäße Abfallbehandlung des Produkts und dessen Akku/Batterie zu gewährleisten, müssen diese im Einklang mit allen anwendbaren örtlichen Vorschriften zur Entsorgung von Elektrogeräten und Akkus/Batterien entsorgt werden. Dabei helfen Sie, natürliche Ressourcen zu schonen und Umweltschutzstandards zur Verwertung und Entsorgung von Altgeräten aufrecht zu halten (Richtlinie über Entsorgung Elektrischer und Elektronischer Altgeräte).

CE-Kennzeichen

Hiermit erklärt Lenco Benelux B.V., Thermiekstraat 1a, 6361 HB Nuth, The Netherlands, dass

dieses Produkt den grundsätzlichen Anforderungen der EU-Richtlinie entspricht.

Die Konformitätserklärung kann unter folgendem Link abgerufen werden
techdoc@commaxxgroup.com



Service

Besuchen Sie bitte für weitere Informationen und unseren Kundendienst unsere Homepage

www.lenco.com

Lenco Benelux BV, Thermiekstraat 1a, 6361 HB Nuth, The Netherlands.

ATTENTION :

L'utilisation de commandes ou de réglages ou l'exécution de procédures autres que ceux spécifiés dans ce manuel peut entraîner une exposition à des rayonnements dangereux.

PRÉCAUTIONS AVANT UTILISATION

GARDEZ CES INSTRUCTIONS À L'ESPRIT :

1. Réalisez l'installation conformément au mode d'emploi fourni.
2. Gardez l'appareil à l'écart des sources de chaleur telles que radiateurs, appareils de chauffage, fours, bougies et autres produits générant de la chaleur ou une flamme nue. L'appareil ne peut être utilisé que dans des climats modérés. Les environnements extrêmement froids ou chauds doivent être évités. Température de fonctionnement entre 0 et 35 °C.
3. Évitez d'utiliser l'appareil à proximité de champs magnétiques puissants.
4. Des décharges électrostatiques peuvent perturber le fonctionnement normal de cet appareil. Dans ce cas, il suffit de réinitialiser et de redémarrer l'appareil en suivant le mode d'emploi. Pendant le transfert de fichiers, manipulez l'appareil avec précaution et faites-le fonctionner dans un environnement privé d'électricité statique.
5. Avertissement ! N'introduisez jamais d'objets dans l'appareil par les ouvertures et les fentes de ventilation. Étant donné que des tensions élevées sont présentes à l'intérieur du produit, l'insertion d'objets peut entraîner une électrocution ou court-circuiter les composants internes. Pour les mêmes raisons, ne versez pas de l'eau ou un liquide sur le produit.
6. Ne l'utilisez pas dans des endroits humides tels qu'une salle de bain, une cuisine pleine de vapeur ou à proximité d'une piscine.
7. L'appareil ne doit pas être exposé à des écoulements ou des éclaboussures et aucun objet contenant un liquide, tel qu'un vase, ne doit être posé sur ou près de l'appareil.
8. N'utilisez pas cet appareil lorsque de la condensation est possible. Lorsque vous utilisez l'appareil dans une pièce chaude et humide, des gouttelettes d'eau ou de la condensation peuvent se former à l'intérieur de l'appareil. Dans ce cas, l'appareil peut ne pas fonctionner correctement. Pour éviter tout risque, laissez l'appareil hors tension pendant 1 ou 2 heures avant de le mettre en marche : l'appareil doit être totalement sec avant de le mettre en marche.

9. Bien que ce dispositif soit fabriqué avec le plus grand soin et contrôlé à plusieurs reprises avant de quitter l'usine, il est toujours possible que des problèmes se produisent, comme avec tous les appareils électriques. Si l'appareil émet de la fumée ou en cas d'accumulation excessive de la chaleur ou d'un phénomène inattendu, débranchez immédiatement la fiche d'alimentation du secteur.
10. Cet appareil doit fonctionner avec la source d'alimentation indiquée sur la plaque signalétique. Si vous n'êtes pas sûr du type d'alimentation utilisé chez vous, contactez votre revendeur ou le fournisseur local d'électricité.
11. Tenez l'appareil à l'abri des animaux. Certains animaux adorent mordre les cordons d'alimentation.
12. Pour nettoyer l'appareil, servez-vous d'un chiffon doux et sec. N'utilisez pas de solvant ni d'autre liquide à base de pétrole.
Pour enlever les taches importantes, vous pouvez vous servir d'un chiffon humide imbibé d'une solution de détergent diluée.
13. Le fournisseur n'est pas responsable des dommages ou pertes de données causés par un dysfonctionnement, une utilisation abusive, une modification de l'appareil ou un remplacement de la batterie.
14. N'interrompez pas la connexion lorsque l'appareil formate ou transfère des fichiers. Dans le cas contraire, les données pourraient être endommagées ou perdues.
15. Si l'appareil dispose d'une fonction de lecture USB, il faut brancher la clé USB directement sur l'appareil. N'utilisez pas un câble d'extension USB, car cela peut causer des interférences entraînant des pertes de données.
16. La plaque signalétique se situe en dessous ou à l'arrière de l'appareil.
17. Cet appareil ne doit pas être utilisé par des personnes (enfants compris) souffrant de handicaps physiques, sensoriels ou mentaux, ou manquant d'expérience et de connaissances, sauf si elles sont sous surveillance ou ont reçu des instructions sur l'utilisation correcte de l'appareil par la personne qui est responsable de leur sécurité.
18. Ce produit est conçu pour un usage non professionnel, et non commercial ou industriel.
19. Vérifiez que l'appareil est en position stable. La garantie ne couvre pas les dégâts occasionnés par l'utilisation de cet appareil en position instable, par les vibrations, les chocs ou par la non-observation de tout autre avertissement ou précaution contenus dans ce mode d'emploi.
20. N'ouvrez jamais cet appareil.
21. Ne placez jamais cet appareil sur un autre appareil électrique.
22. Ne laissez pas les sacs en plastique à la portée des enfants.
23. Utilisez uniquement les accessoires recommandés par le fabricant.

24. Confiez l'entretien et les réparations à un personnel qualifié. Une réparation est nécessaire lorsque l'appareil a été endommagé de quelque façon que ce soit, par exemple lorsque le cordon d'alimentation ou la prise sont endommagés, lorsqu'un liquide a été renversé ou des objets ont été introduits dans l'appareil, lorsque l'appareil a été exposé à la pluie ou à l'humidité, lorsqu'il ne fonctionne pas correctement ou lorsque l'appareil est tombé.
25. Une exposition prolongée à la musique avec un volume élevé peut entraîner une perte auditive temporaire ou permanente.
26. Si l'appareil est livré avec un câble d'alimentation ou un adaptateur secteur :
- En cas de problème, débranchez le cordon d'alimentation secteur et confiez l'entretien à du personnel qualifié.
 - Ne marchez pas sur l'adaptateur secteur ni le coincez. Faites très attention, en particulier près des fiches et du point de sortie du câble. Ne placez pas d'objets lourds sur l'adaptateur secteur, car vous risquez de l'endommager. Gardez l'appareil hors de portée des enfants ! Ils pourraient se blesser gravement s'ils jouent avec le câble d'alimentation.
 - Débranchez cet appareil pendant les orages ou lorsqu'il n'est pas utilisé pendant une longue durée.
 - La prise secteur doit être installée près de l'appareil et doit être facilement accessible.
 - Ne surchargez pas les prises de courant ni les rallonges. Une surcharge peut entraîner un incendie ou une électrocution.
 - Les appareils de classe 1 doivent être branchés à une prise de courant disposant d'une connexion protectrice à la terre.
 - Les appareils de classe 2 ne nécessitent pas de connexion à la terre.
 - Tirez toujours sur la fiche pour débrancher le cordon de la prise secteur. Ne tirez pas sur le cordon d'alimentation. Cela pourrait provoquer un court-circuit.
 - N'utilisez pas un cordon ou une fiche d'alimentation endommagés ni une prise desserrée. Vous courez un risque d'incendie ou de décharge électrique.
27. Cet appareil contient une batterie rechargeable. N'essayez pas de la remplacer vous-même, apportez plutôt l'appareil à un centre de réparation.

INSTALLATION

- Déballez toutes les pièces et enlevez le matériau de protection.
- Ne connectez pas l'unité au secteur avant d'avoir vérifié la tension du secteur et avant que toutes les autres connexions n'aient été effectuées.



Pour éviter les dommages auditifs, n'écoutez pas de contenu à un volume ouvert pendant une période prolongée. Une exposition constante à un volume élevé lors de l'utilisation d'écouteurs peut causer des dommages auditifs. Vérifiez toujours le niveau du volume avant d'utiliser le casque. L'utilisation d'écouteurs lors de la conduite de véhicules n'est pas recommandée et est illégale dans certains pays. Si vous constatez que l'écoute de l'appareil vous distrait pendant la conduite de tout type de véhicule ou lors d'activités nécessitant toute votre attention, arrêtez d'écouter l'appareil.

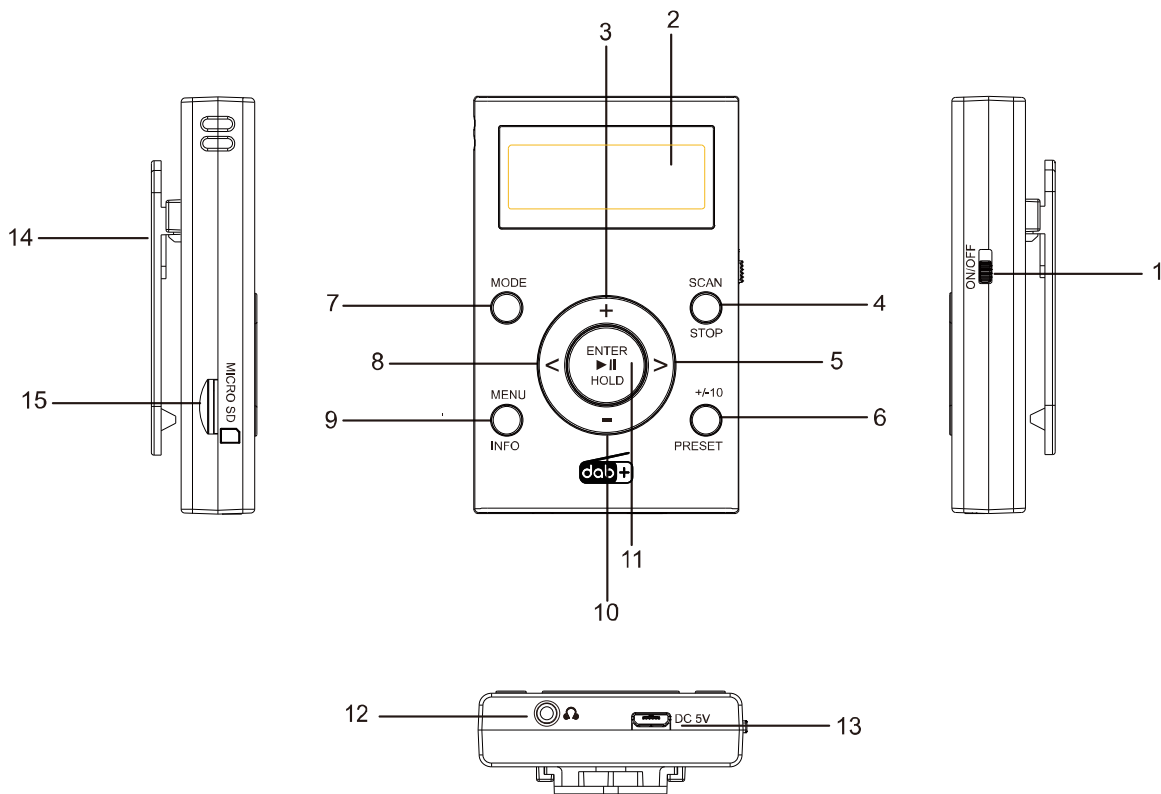
Accessoires :

Câble USB vers micro USB



Ecouteurs stéréo



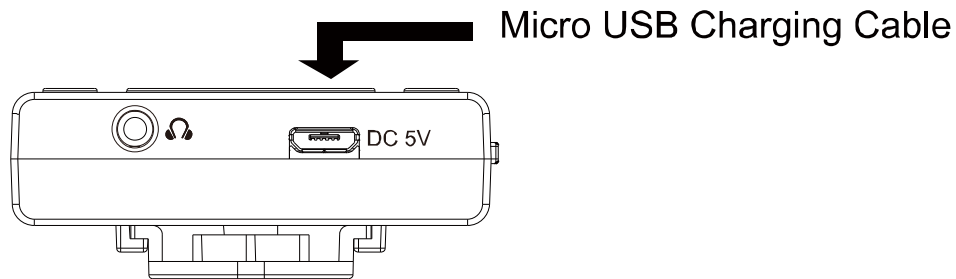


EMPLACEMENT DES COMMANDES

1. MARCHE/ARRÊT
2. Afficheur LCD
3. Volume +
4. Rechercher/Arrêter
5. Syntonisation avant/Saut avant
6. Préréglage/+10 -10
7. Mode/Veille
8. Syntonisation arrière/Saut arrière
9. Menu/Info
10. Volume –
11. Entrée/Lecture/Pause/Verrouillage-Déverrouillage
12. Prise d'écouteur stéréo de 3,5 mm
13. Prise d'entrée d'alimentation micro USB CC 5 V.
14. Clip de ceinture détachable
15. Fente pour carte Micro SD

ALIMENTATION/BATTERIE

Connectez le câble de charge micro USB à la prise d'entrée CC 5 V de la radio.



EN	FR
Micro USB Charging Cable	Câble de charge Micro USB
DC 5V	CC 5V

Connectez l'autre extrémité du câble micro USB à la source d'alimentation à l'aide d'une alimentation USB. Il est également possible de recharger l'appareil connectant au port USB d'un ordinateur. La radio devrait se recharger complètement en environ 3 heures (les temps de charge peuvent varier en fonction de l'état de charge de la batterie).

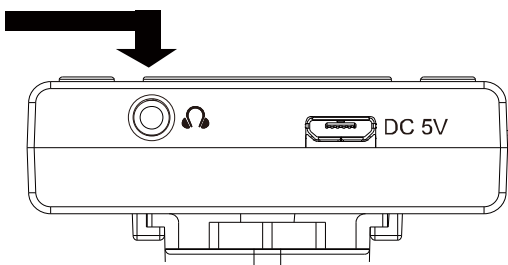
Lorsque l'appareil est en veille, l'affichage indique la date et l'heure (si l'option est activée et que l'appareil a été utilisé sur une source qui transmet ces informations) et l'état de charge.

REMARQUE : rien n'est affiché sur l'écran de l'appareil lorsqu'il se charge en étant éteint, mais la charge se fait d'une manière régulière.

MARCHE/ARRÊT

Connectez les écouteurs à une prise de 3,5 mm à la sortie écouteurs. L'appareil se sert des écouteurs comme antenne pour améliorer la réception du signal.

Headphones With 3.5mm Jack



EN	FR
Headphones With 3.5mm Jack	Casque avec prise jack de 3,5 mm

Mettez l'interrupteur en position « On » pour allumer l'appareil. La première fois qu'il est allumé, le mode DAB est activé et la recherche de stations commence automatiquement.

Pour changer de source, appuyez sur la touche « Mode ».

Pour éteindre l'appareil, placez l'interrupteur en position « Off ».

Pour remettre l'appareil en veille/l'allumer à nouveau, appuyez longuement sur la touche « Mode ».

Verrouillage des boutons

Vous pouvez verrouiller l'appareil pour éviter d'appuyer accidentellement sur les touches.

Appuyez longuement sur la touche « Enter » pour verrouiller le clavier.

Vous pouvez déverrouiller le clavier en maintenant la touche « Enter » enfoncée pendant le verrouillage de l'appareil.

RÉGLAGE DU VOLUME

Appuyez sur la touche « VOLUME +/- » pour régler le niveau de volume.

NAVIGATION DES MENUS

Appuyez longuement sur la touche « Menu » pour afficher les options. Utilisez les touches < et > pour naviguer entre les choix et appuyez sur « Enter » pour confirmer. Dans les options, il est possible de revenir au menu précédent en appuyant sur la touche « Menu ».

MODE DAB

Appuyez à plusieurs reprises sur la touche « Mode » jusqu'à sélectionner le mode DAB. À la première utilisation du mode DAB, la recherche des stations se fait automatiquement.

Pour effectuer une recherche complète des stations, appuyez longuement sur la touche « Scan ».

Vous pouvez parcourir la liste des stations stockées avec les touches « Suivant »/« Précédent ». Appuyez sur « Entrée » pour écouter la station sélectionnée.

Affichage des informations DAB à l'écran Lorsque vous écoutez une station DAB, appuyez à plusieurs reprises sur la touche « Menu/Info » pour obtenir les informations suivantes (lorsqu'elles sont disponibles) :

- Texte radio
- Niveau de signal
- Type d'émission (ACTUALITÉS, SPORT, POP, etc.)
- Fréquence du canal/de la station DAB
- Erreurs dans le signal
- Type de débit binaire/signal
- Heure
- Date

Options DAB

Maintenez la touche « Menu/Info » enfoncée pour afficher le menu et faites défiler les options disponibles à l'aide de la touche < ou > et confirmez en appuyant sur « Enter » :

- Full search (Recherche complète) : vous permet d'effectuer une nouvelle recherche des stations DAB.
Si aucune station n'est trouvée, l'écran affichera « No DAB station » (Aucune station DAB). Dans ce cas, vérifiez que les écouteurs sont correctement insérés et/ou faites la recherche à partir d'un autre endroit.
- Manual tuning (Réglage manuel) : vous permet d'effectuer une recherche manuelle en fonction de la fréquence sélectionnée. Faites défiler les fréquences à l'aide de la touche < ou >. Sélectionnez la fréquence souhaitée à l'aide de la touche « Enter », l'intensité du signal et les informations de la station s'affichent. Appuyez à nouveau sur la touche « Enter » pour confirmer la sélection et ajouter les stations à la liste.
- DRC : l'option DRC ajoute ou supprime un degré de compensation pour les différences de plage dynamique entre les niveaux sonores. La station radio doit prendre en charge la fonction RDC.

- À l'aide des touches « Suivant »/« Précédent », il est possible de sélectionner entre DRC désactivé (aucune compensation appliquée), DRC faible (compensation moyenne appliquée) ou DRC élevé (compensation maximale appliquée) et de confirmer en appuyant sur la touche « Enter ». L'astérisque indique le réglage actuel.
- Delete (prune) (Supprimer [Éliminer]) : l'option vous permet de supprimer les stations de la liste qui ne sont plus recevables (seules les stations avec une qualité du signal est 0 seront supprimées). Après avoir ouvert la fonction « Supprimer », sélectionnez « Oui » avec les touches < ou > et confirmez en appuyant sur « Enter ».
- System (Système) : voir chapitre « réglage de l'appareil »

REMARQUE : dans le cas où la réception DAB n'est pas bonne, il est recommandé de déplacer/d'utiliser l'appareil en plein air pour améliorer la réception.

MODE FM

Appuyez à plusieurs reprises sur la touche « Mode' jusqu'à sélectionner le mode FM.

Lorsque le mode FM est utilisé pour la première fois, l'appareil se règle sur la première fréquence de la plage FM (87,50 MHz). Appuyez sur la touche < ou > pour faire défiler les fréquences FM.

Maintenez enfoncée la touche < ou > pour syntoniser automatiquement la prochaine station FM disponible.

Vous pouvez effectuer une recherche complète de la bande FM en enregistrant automatiquement les 30 premières stations disponibles dans les présélections en maintenant le bouton « Scan » enfoncé.

Informations RDS

Le système de données radio (RDS) permet aux stations FM de transmettre des informations supplémentaires.

Lorsque vous syntonisez une station de radio FM qui transmet des signaux RDS, le nom de la station s'affiche.

Appuyez à plusieurs reprises sur la touche « INFO » pour obtenir les informations RDS suivantes (si disponibles) :

- Texte radio
- Type de programme (par exemple ACTUALITÉS, SPORT, POP, etc.)
- Fréquence de transmission
- Mode : mono/stéréo
- Heure

- Date

Options FM

Maintenez la touche « Menu/Info » enfoncée pour afficher le menu et faites défiler les options disponibles à l'aide de la touche < ou > et confirmez votre choix en appuyant sur « Enter » :

- Scan settings (Paramètres de recherche) : vous permet de choisir de rechercher uniquement les stations ayant une bonne réception ou toutes les stations (quelle que soit la puissance du signal).
- Audio settings (Paramètres audio) : vous permet de choisir d'utiliser l'audio stéréo ou mono.

PRÉSÉLECTIONS DAB ET FM

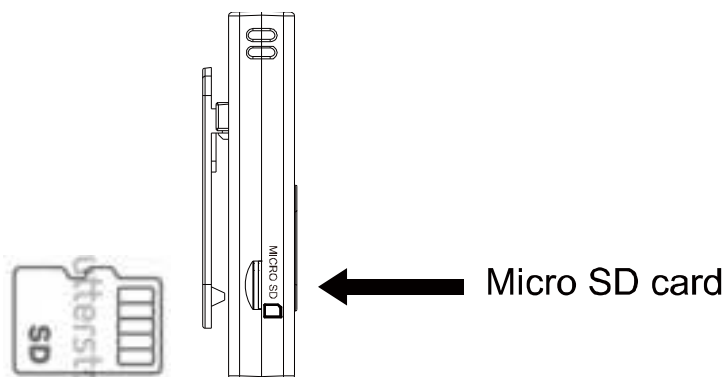
Jusqu'à 30 stations DAB et 30 stations FM peuvent être enregistrées dans des présélections.

Pour enregistrer la station actuelle, maintenez la touche « Preset » enfoncée, utilisez la touche < ou > pour sélectionner le numéro de présélection souhaité et appuyez sur « Enter » pour enregistrer.

Pour afficher les présélections enregistrées, appuyez sur la touche « Preset », utilisez la touche < ou > pour faire défiler les présélections et appuyez sur la touche « Enter » pour écouter la station sélectionnée.

MODE MICRO SD

Insérez la carte micro SD à l'intérieur de l'appareil comme illustré dans l'image ci-dessous :



EN	FR
Micro SD card	Carte Micro SD

Allumez l'appareil, appuyez à plusieurs reprises sur la touche « Mode » jusqu'à sélectionner le

mode micro SD. Le numéro du morceau sera affiché.

Pour interrompre la lecture, appuyez sur la louche « Lecture/Pause ».

Stop (Arrêt) : permet d'arrêter la lecture et de revenir au morceau initial, maintenez la touche « Stop » enfoncée

Previous/Next (Précédent/Suivant) : permet de passer au morceau précédent/suivant, appuyez sur la touche < ou >.

Avance/retour rapide : appuyez longuement sur la touche > ou < pour avancer/revenir en arrière rapidement dans le morceau en cours de lecture.

Pour avancer/retourner en arrière rapidement 10 morceaux, appuyez longuement sur la touche « Preset » puis choisissez le numéro de morceau avec les touches > (+10) ou < (-10) et confirmez en appuyant sur « Enter ».

REPEAT (RÉPÉTITION) : appuyez à plusieurs reprises sur la touche Menu/Info pour choisir l'option parmi : Normal / Repeat one / Repeat all / Random. (Normal / Répéter une fois / Répéter tout / Aléatoire).

Remarque : Il n'est pas possible de transférer des fichiers sur la carte micro SD en connectant l'appareil directement à l'ordinateur.

RÉGLAGES DE L'APPAREIL

En plus de modifier les réglages DAB et FM, à l'aide d'une pression prolongée de la touche « Menu/Info », il est également possible de modifier les réglages de l'appareil en choisissant l'élément « System (Système) » :

- Time (Heure) : permet de modifier la date et l'heure, de choisir le format d'heure (12H/24H) et d'activer/désactiver la mise à jour automatique de l'heure (quelque que soit la source, uniquement depuis DAB, uniquement depuis FM ou désactivé).
- Backlight: (Rétroéclairage) : permet de modifier la luminosité de l'écran (haut/bas).
- Language (Langue) : permet de changer la langue du système (italien, français, anglais, allemand, néerlandais, espagnol)
- Restore default values (Restaurer les valeurs par défaut) : vous permet de rétablir les valeurs de l'appareil.
- Version du logiciel

L'astérisque à côté d'une option indique le réglage actuel.

Dépannage

Problème	Solution
Il ne s'allume pas	Vérifiez que le lecteur est chargé et que l'interrupteur est en position ON.
Les touches ne fonctionnent pas	Vérifiez si le verrouillage des touches est activé et si nécessaire enlevez-le.
Aucun son	Réglez le volume au niveau souhaité et vérifiez le fonctionnement des écouteurs.
L'appareil en mode micro SD	Vérifiez que seuls les fichiers pris en charge sont insérés à l'intérieur de la carte micro SD.
S'allume, mais ne lit aucun morceau	Assurez-vous que les fichiers joués sur l'appareil connecté sont bien pris en charge.
La réception est mauvaise/la lecture s'arrête en mode FM/DAB	Placez-le dans un endroit ayant une meilleure réception (par exemple en plein air).

CARACTÉRISTIQUES TECHNIQUES

Radio portable DAB/DAB +/-FM

Syntonisation électronique PLL RDS FM

Recherche automatique de stations de radio DAB/FM

Présélections des stations de radio : 30 (FM), 30 (DAB)

Lecture de fichiers MP3 via une entrée micro SD (32 Go max.)

Affichage LCD avec changement de luminosité (haut/bas)

Sortie d'écouteur de 3,5 mm (écouteur inclus)

Sangle de transport

Crochet d'attache

Batterie au lithium rechargeable intégrée de 3,7 V/550 mAh

Port d'alimentation micro USB CC 5 V (câble micro USB inclus – adaptateur secteur non inclus)

Dimensions : 5,4 (L) X 8,5 (H) X 2,1 (P) cm

Poids : 62 g

Garantie

Lenco propose un service et une garantie conformément à la législation européenne, ce qui signifie qu'en cas de besoin de réparation (aussi bien pendant et après la période de garantie), vous pouvez contacter votre revendeur le plus proche.

Remarque importante : il n'est pas possible de renvoyer l'appareil pour réparation directement à Lenco.

Remarque importante : si l'appareil est ouvert ou modifié de quelque manière que ce soit par un réparateur non agréé, la garantie sera caduque.

Cet appareil ne convient pas à une utilisation professionnelle. En cas d'utilisation professionnelle, les obligations de garantie du fabricant seront annulées.

Clause de non-responsabilité

Des mises à jour du logiciel ou des composants informatiques sont régulièrement effectuées. Il se peut donc que certaines instructions, caractéristiques et images présentes dans ce document diffèrent légèrement de votre configuration spécifique. Tous les articles décrits dans ce guide sont fournis uniquement à des fins d'illustration et peuvent ne pas s'appliquer à une configuration spécifique. Aucun droit légal ne peut être obtenu depuis les informations contenues dans ce manuel.

Mise au rebut de l'appareil usagé



Ce symbole indique que le produit électrique concerné ainsi que les piles ne doivent pas être jetés avec les autres déchets ménagers en Europe. Pour garantir un traitement correct des piles et de l'appareil usagés, veuillez les mettre au rebut conformément aux réglementations locales en vigueur relatives aux appareils électriques et autres piles. En agissant de la sorte, vous contribuerez à la préservation des ressources naturelles et à l'amélioration des niveaux de protection environnementale concernant le traitement et la destruction des déchets électriques (directive sur les déchets des équipements électriques et électroniques).

Marquage CE

Par la présente, Lenco Benelux B.V., Thermiekstraat 1a, 6361 HB Nuth, Pays-Bas, déclare que ce produit est conforme aux exigences principales des directives européennes.

La déclaration de conformité peut être consultée à l'adresse techdoc@commaxxgroup.com



Service après-vente

Pour plus d'information et contacter l'assistance technique, veuillez visitez le site

www.lenco.com Lenco Benelux BV ; Thermiekstraat 1a, 6361 HB, Nuth, Pays-Bas.

PRECAUCIÓN:

el uso de controles o ajustes distintos, o llevar a cabo procedimientos distintos a aquéllos aquí especificados puede tener como consecuencia una exposición peligrosa a la radiación.

PRECAUCIONES PREVIAS AL USO

TENGA ESTAS INSTRUCCIONES EN MENTE:

1. Instálelo conforme al manual de usuario que se adjunta.
2. Mantenga el aparato alejado de fuentes de calor, como radiadores, calentadores, estufas, velas u otros productos que generen calor o llama viva. El aparato solo puede usarse en climas moderados. Se deben evitar los ambientes extremadamente fríos o cálidos.
Temperatura de funcionamiento entre 0 ° y 35 °C.
3. Evite usar el dispositivo cerca de campos magnéticos fuertes.
4. Una descarga electrostática puede entorpecer el uso normal de este dispositivo. En tal caso, simplemente reinícielo siguiendo el manual de instrucciones. Durante la transmisión de archivos, por favor manéjelo con cuidado opérelo en un entorno libre de electricidad estática.
5. ¡Advertencia! Nunca inserte un objeto en el producto a través de las ventilaciones o aperturas. Alto voltaje fluye a través del producto e insertar un objeto puede provocar una descarga eléctrica y/o un cortocircuito de sus componentes internos. Por el mismo motivo, no derrame agua o líquidos en el producto.
6. No lo utilice en zonas húmedas, como cuartos de baño, cocinas en las que se forme vapor ni cerca de piscinas.
7. El aparato no debe exponerse a goteos o salpicaduras y asegúrese de que se colocan sobre o cerca del aparato objetos llenos de líquidos, como jarrones.
8. No use este dispositivo cuando se pueda producir condensación. Cuando utilice la unidad en una habitación húmeda y cálida con humedad, pueden generarse gotas de agua o condensación dentro de la unidad y es posible que no funcione correctamente; apague la unidad durante 1 o 2 horas antes de encenderla de nuevo: el aparato debe estar seco antes de conectarse a una fuente de alimentación.
9. Aunque este dispositivo está fabricado con el máximo cuidado y comprobado varias veces antes de salir de fábrica, todavía es posible que se puedan producir problemas, al igual que con todos los aparatos eléctricos. Si observa la aparición de humo, una acumulación excesiva de calor o cualquier otro fenómeno inesperado, deberá desconectar inmediatamente el enchufe de la toma de corriente.

10. Este dispositivo debe funcionar con una fuente de alimentación que se especifica en la etiqueta de especificaciones. Si no está seguro del tipo de alimentación que se usa en su hogar, consulte con el distribuidor o una compañía eléctrica local.
11. Manténgalo alejado de los animales. A algunos animales les gusta morder los cables de alimentación.
12. Para limpiar el dispositivo use un paño seco y suave. No utilice líquidos disolventes ni con base de petróleo.
Para eliminar manchas difíciles, puede usar un paño húmedo con detergente diluido.
13. El proveedor no asume ninguna responsabilidad por daños o datos perdidos provocados por un funcionamiento incorrecto, uso incorrecto, modificación del dispositivo o sustitución de la batería.
14. No interrumpa la conexión cuando el dispositivo esté formateando o transfiriendo archivos. En caso contrario, los datos se pueden estropear o perder.
15. Si la unidad dispone de función de reproducción USB, se debe conectar la memoria USB directamente en la unidad. No utilice cables de extensión USB ya que pueden crear interferencias que causen una pérdida de datos.
16. La etiqueta de calificación aparece marcada en el panel inferior o posterior del dispositivo.
17. Este aparato no está diseñado para su uso por personas (incluyendo niños) con discapacidades físicas, sensoriales o mentales o con falta de experiencia o conocimientos, salvo que estén bajo la supervisión o hayan recibido formación sobre el uso correcto del dispositivo por parte de una persona responsable de su seguridad.
18. Este producto está diseñado para un uso no profesional únicamente y no para un uso comercial o industrial.
19. Asegúrese de que la unidad esté fijada en una posición estable. La garantía no cubrirá los daños derivados de usar este producto en una posición inestable, vibraciones o golpes o por no seguir otras advertencias o precauciones que aparecen en este manual de usuario.
20. Nunca retire la carcasa del dispositivo.
21. Nunca coloque este dispositivo sobre otro equipo eléctrico.
22. Mantenga las bolsas de plástico fuera del alcance de los niños.
23. Use únicamente los dispositivos/accesorios especificados por el fabricante.
24. Remita todas las reparaciones al personal cualificado. Es necesario el mantenimiento cuando el dispositivo presenta daños en cualesquiera manera, como el cable de alimentación o el enchufe, cuando se haya vertido líquido o se hayan caído objetos en el dispositivo, cuando el dispositivo se haya expuesto a la lluvia o humedad, cuando no funcione normalmente o cuando se haya caído.

25. Una larga exposición a sonidos elevados de reproductores de música personales puede provocar una pérdida de audición temporal o permanente.
26. Si el producto viene con un cable de alimentación o un adaptador de corriente de CA:
- Si se produce cualquier problema, desconecte el cable de alimentación CA y remítase al mantenimiento de personal cualificado.
 - No pise o pince el adaptador de alimentación. Tenga mucho cuidado, en especial cerca de las tomas y el punto de salida del cable. No coloque objetos pesados en el adaptador de alimentación, ya que pueden dañarlo. ¡Mantenga el dispositivo fuera del alcance de los niños! Si juegan con el cable de alimentación, puede sufrir lesiones graves.
 - Desconecte el dispositivo durante tormentas eléctricas o cuando no vaya a usarse durante periodos prolongados de tiempo.
 - La salida de la toma debe instalarse cerca del equipo y debe ser fácilmente accesible.
 - No sobrecargue las tomas CA o los cables de extensión. La sobrecarga puede provocar un incendio o una descarga eléctrica.
 - Los dispositivos con construcción de Clase 1 deben estar conectados a una toma de corriente con una conexión a tierra protegida.
 - Los dispositivos con construcción Clase 2 no requieren una conexión a tierra.
 - Sujete siempre el enchufe cuando los extraiga de la toma de corriente. No tire del cable de alimentación. Esto puede provocar un cortocircuito.
 - No utilice un cable de alimentación o enchufe deteriorado o una toma suelta. Si lo hace, podría provocar un incendio o una descarga eléctrica.
27. Este dispositivo contiene una batería recargable. No intente sustituirla por usted mismo, sino que lleve el dispositivo a un centro de servicio.

INSTALACIÓN

- Desembale todas las piezas y retire el material protector.
- No conecte la unidad a la corriente eléctrica antes de comprobar la tensión de la corriente y antes de que se hayan hecho todas las demás conexiones.



Para evitar daños en la audición, no escuche contenidos a volumen elevado durante un periodo prolongado de tiempo. La exposición constante a volúmenes elevados cuando se usan auriculares puede provocar daños auditivos. Compruebe siempre el volumen antes de usar auriculares. No se recomienda el uso de auriculares al conducir un vehículo y en

algunos estados es ilegal. Si descubre que escuchar el dispositivo provoca distracción mientras conduce cualquier tipo de vehículo o mientras realiza actividades que requieran su atención, deje de escuchar el dispositivo.

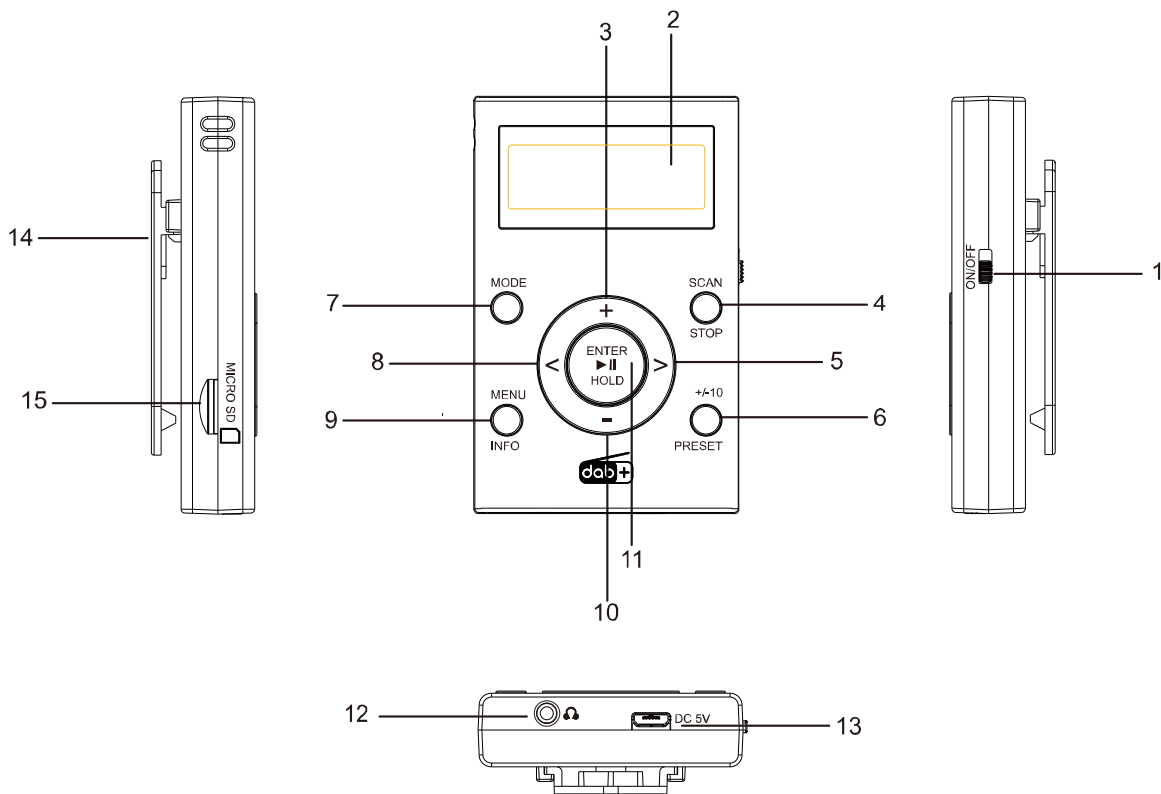
Accesorios:

Cable USB a micro USB



Auriculares estéreo



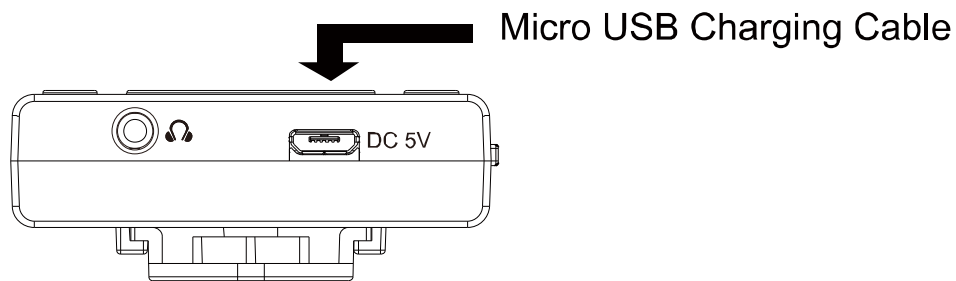


SITUACIÓN DE LOS CONTROLES

1. Alimentación CONECTADA/DESCONECTADA
2. Pantalla LCD
3. Volumen +
4. Búsqueda / Parada
5. Sintonizar+/Saltar+
6. Presintonía/+10 - 10
7. Modo/En espera
8. Sintonizar-/ Saltar-
9. Menu/Info
10. Volumen-
11. Entrar/Reproducir/Pausa/Bloqueo-Desbloqueo
12. Toma de teléfono estéreo de 3.5mm
13. Toma de entrada de alimentación Micro USB CC 5V.
14. Sujeción a cinto extraíble
15. Micro ranura SD

ALIMENTACIÓN/BATERÍA

Conecte el cable de carga micro USB a la toma de entrada CC 5V de la radio.



EN	ES
Micro USB Charging Cable	Cable de carga Micro USB
DC 5V	CC 5V

Conecte el otro extremo del cable micro-USB a la fuente de alimentación usando una alimentación USB. También es posible recargar el producto conectándolo al puerto USB de un ordenador. La radio debe recargarse completamente en unas 3 horas (los tiempos de carga pueden variar dependiendo del estado de carga de la batería).

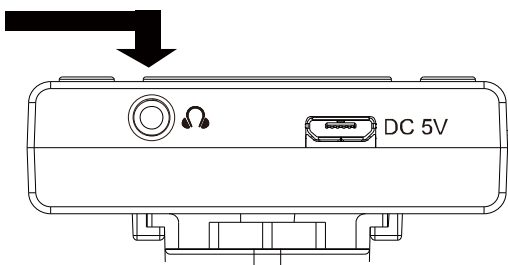
Cuando la unidad está en modo en espera, la pantalla muestra la fecha y la hora (si la opción está activa y la unidad se ha empleado en una fuente que transmita esta información) y el estado de carga.

NOTA: No se muestra nada en la pantalla del producto cuando se está cargando desde desconectado pero la carga se produce regularmente.

ALIMENTACIÓN CONECTADA/DESCONECTADA

Conecte los auriculares con la toma de 3.5mm a la salida de los auriculares. El producto usa auriculares como una antena para mejorar la recepción de la señal.

Headphones With 3.5mm Jack



EN	ES
Headphones With 3.5mm Jack	Auriculares con una toma de 3.5mm

Gire el interruptor de alimentación a la posición "On" para encender el producto. La primera vez que se enciende, se activa el modo DAB y se buscan automáticamente las emisoras.

Para cambiar la fuente, pulse el botón "Mode".

Para apagar la unidad, mueva el interruptor de alimentación a la posición "Off".

Para volver a poner la unidad en Modo en espera / encendido, pulse durante un periodo prolongado de tiempo el botón "Mode".

Key Lock (Bloqueo de teclas)

Puede bloquear el producto para evitar pulsaciones accidentales de botones.

Pulse durante un periodo prolongado de tiempo la tecla "Enter" para bloquear el teclado.

Puede desbloquear el teclado manteniendo pulsado "Enter" mientras el producto está bloqueado.

CONTROL DE VOLUMEN

Pulse el botón "VOLUMEN +/-" para ajustar el nivel de volumen.

NAVEGACIÓN EN MENÚS

Pulse durante un periodo prolongado de tiempo el botón "Menu" para mostrar las opciones. Use las teclas < y > para navegar entre las elecciones y pulse "Enter" para confirmarlo. Desde las opciones es posible volver al menú anterior pulsando el botón "Menu".

MODO DAB

Pulse el botón "Mode" de forma reiterada hasta que se seleccione el modo DAB. Cuando se usa DAB por primera vez, se buscan automáticamente las emisoras.

Para realizar una búsqueda completa de las emisoras, pulse durante un periodo prolongado de tiempo el botón "Scan".

Puede navegar por la lista de emisoras guardadas con los botones "Siguiete"/"Anterior ". Pulse "Enter" para entrar en la emisora seleccionada.

Muestra en la pantalla la información DAB

Mientras escucha una emisora DAB, pulse el botón "Menu/Info" de forma reiterada para obtener la siguiente información (cuando esté disponible):

- Radio texto
- Nivel de la señal
- Tipo de programa (como NEWS (NOTICIAS), SPORT (DEPORTE), POP, etc.)
- Frecuencia del canal / emisora DAB
- Errores en la señal
- Velocidad de bits / tipo de señal
- Hora
- Fecha

Opciones DAB

Mantenga pulsada la tecla "Menu/Info" para mostrar el menú y desplazarse por las opciones disponibles usando la Tecla < o > y confírmelo pulsando "Enter":

- Búsqueda completa: Le permite realizar una nueva búsqueda de las emisoras DAB. Si no se encuentra ninguna emisora, la pantalla mostrará "No DAB station (No hay emisoras DAB)". En este caso, compruebe si están insertados los auriculares correctamente y/o busque desde otra ubicación.
- Sintonización manual: Le permite realizar una búsqueda manual basada en la frecuencia seleccionada. Desplácese por las frecuencias usando la tecla < o >. Seleccione la frecuencia que desee con la tecla "Enter"; se mostrarán la fuerza de la señal y la información de la emisora. Vuelva a pulsar la tecla "Enter" para confirmar la selección y añadir emisoras a la lista.
- DRC: La opción DRC añade o elimina un grado de compensación para las diferencias en la gama dinámica entre niveles de sonido. La emisora de radio tiene que ser compatible con la función DRC.
- Usando las teclas "Siguiete"/"Anterior", es posible seleccionar entre DRC desactivado (no se aplica compensación), DRC bajo (se aplica compensación media) o DRC alto (se aplica

compensación máxima) y confírmelo pulsando "Enter". El asterisco indica la configuración actual.

- Eliminar (recortar): Esta opción le permite eliminar emisoras que ya no se reciben de la lista (solo se eliminarán aquellas emisoras donde la calidad de la señal sea 0). Tras abrir la función "Eliminar", seleccione "Yes (Sí)" con las teclas < o > y confírmelo pulsando "Enter".
- Sistema: Véase el capítulo "configuración del producto"

NOTA: en caso de que la recepción DAB no sea Buena, se recomienda mover / usar el producto en el exterior para mejorar la recepción.

MODO FM

Pulse el botón "Mode" de forma reiterada hasta que se seleccione el modo FM.

Cuando se inicia por primera vez el modo FM, el dispositivo sintonizará la primera frecuencia de la escala FM (87.50MHz). Pulse el botón < o > para desplazarse por las frecuencias FM.

Mantenga pulsado el botón < o > para buscar automáticamente la siguiente emisora FM disponible.

Puede realizar una búsqueda complete de la banda FM guardando automáticamente las primeras 30 emisoras disponibles en las presintonías manteniendo pulsado el botón "Scan".

Información RDS

El Sistema de Datos de Radio (RDS) permite a las emisoras FM transmitir información adicional.

Cuando sintonice una emisora de radio FM que transmita señales RDS, se muestra el nombre de la emisora.

Pulse el botón "INFO" de forma reiterada para conseguir la siguiente información RDS (si está disponible):

- Radio texto
- Tipo de programa (como NEWS (NOTICIAS), SPORT (DEPORTE), POP, etc...)
- Frecuencia de transmisión
- Modo: mono/estéreo
- Hora
- Fecha

Opciones FM

Mantenga pulsada la tecla "Menu/Info" para mostrar el menú y desplazarse por las opciones disponibles usando la tecla < o > y confirme su elección pulsando "Enter":

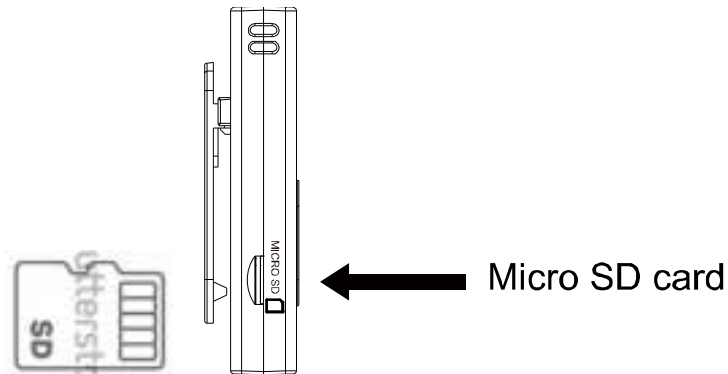
- Configuración de Búsqueda: Le permite elegir si buscar solo emisoras con Buena recepción o todas las emisoras (independientemente de la fuerza de la señal).
- Configuración de audio: Le permite elegir si usa el audio mono o estéreo.

PRESELECCIONES DAB Y FM

Se pueden guardar como presintonías hasta 30 emisoras DAB y 30 emisoras FM. Para guardar la emisora actual, mantenga pulsada la tecla "Preset"; use la tecla < o > para seleccionar el número de presintonía que desee y pulse "Enter" para guardarlo. Para ver las emisoras guardadas, pulse el botón "Preset"; use el botón < o > para desplazarse por las presintonías y pulse el botón "Enter" para reproducir la emisora seleccionada.

MODO MICRO SD

Inserte la tarjeta Micro SD dentro del producto tal y como se muestra en la imagen que aparece debajo:



EN	ES
Micro SD card	Tarjeta microSD

Encienda el dispositivo; pulse el botón "Mode" de forma reiterada hasta que se seleccione el modo Micro SD. Se mostrará el número de la canción.
 Para iniciar / hacer una pausa / reanudar la reproducción, pulse el botón "Reproducción/Pausa".
 Detener: Para detener la reproducción y volver a la canción inicial, mantenga pulsado el botón "Stop".
 Anterior / Siguiente: para ir a la canción anterior / siguiente, pulse el botón < o >.
 Avance rápido / rebobinado: Pulse durante un periodo prolongado de tiempo el botón > o < para avanzar rápidamente / rebobinar en la pista que se está reproduciendo.

Para avanzar rápidamente / rebobinar 10 pistas, pulse durante un periodo prolongado de tiempo el botón "Preset" y después elija el número de pista con los botones > (+10) o < (-10) y confírmelo pulsando "Enter".

REPETIR: Pulse el botón Menu/Info de forma reiterada para elegir las opciones de menú entre: Normal /Repeat one (Repetir una)/Repeat all (Repetir todo)/Random (Aleatoria).

Nota: No es posible transferir archivos a la tarjeta Micro SD conectando el producto directamente al ordenador.

CONFIGURACIÓN DEL PRODUCTO

Además de modificar la configuración DAB y FM, también es posible manteniendo pulsada la tecla "Menu/Info" modificar la configuración del producto eligiendo el elemento "System":

- Time (Hora): Le permite cambiar la fecha y la hora, elegir el formato de hora (12H/24H) y habilitar / deshabilitar la actualización de hora automática (desde cualquier fuente, solo desde DAB, solo desde FM o deshabilitado).
- Backlight (Retroiluminación): Le permite cambiar el brillo de la pantalla (alto / bajo).
- Language (Idioma): Le permite cambiar el idioma del Sistema (italiano, francés, inglés, alemán, holandés, español)
- Restauración de los valores predeterminados: Le permite restaurar el dispositivo a los valores de fábrica.
- Versión de software

El asterisco situado al lado de una opción indica la configuración actual.

Solución de problemas

Problema	Solución
No se enciende	Compruebe que el lector está cargado y que el interruptor está en la posición ON.
Las teclas no funcionan	Compruébelo y si es necesario, elimine el bloqueo de teclas.
No hay sonido	Ajuste el volumen al nivel que desee y compruebe el funcionamiento de las auriculares.
El producto se apaga en modo Micro SD	Compruebe que solo se han insertado archivos compatibles dentro de la tarjeta Micro SD.
Se ilumina, pero no reproduce ninguna pista	Asegúrese de que los archivos que se están reproduciendo en el dispositivo conectado son compatibles.
La recepción es mala / la reproducción se detiene en modo FM/DAB	Muévalo a una posición con una mejor recepción (por ejemplo, al exterior).

ESPECIFICACIONES TÉCNICAS

Radio portátil DAB/DAB +/FM

Sintonización electrónica PLL RDS FM

Búsqueda automática de emisoras de radio DAB/FM

Presintonías de emisoras de radio: 30 FM-30 DAB

Reproducción de archivos MP3 mediante la entrada micro SD (máx. 32GB)

Pantalla LCD con brillo cambiante (alto/bajo)

Salida de auriculares de 3.5mm (auricular incluido)

Correa de transporte

Gancho de sujeción

Batería de litio recargable integrada de 3.7V/550mAh

Toma de alimentación micro USB CC 5V (cable micro USB incluido – adaptador de alimentación no incluido)

Dimensiones: 5.4 (L) x 8.5 (A) x 2.1 (D) cm

Peso: 62gr.

Garantía

Lenco ofrece servicio y garantía en cumplimiento con las leyes de la Unión Europea, lo cual implica que, en caso de que su producto precise ser reparado (tanto durante como después del periodo de garantía), deberá contactar directamente con su distribuidor.

Nota importante: No es posible enviar sus reparaciones directamente a Lenco.

Nota importante: Si la unidad es abierta por un centro de servicio no oficial, la garantía quedará anulada.

Este aparato no es adecuado para el uso profesional. En caso de darle un uso profesional, todas las obligaciones de garantía del fabricante quedarán anuladas.

Exención de responsabilidad

Regularmente se llevan a cabo actualizaciones en el Firmware y en los componentes del hardware. Por esta razón, algunas de las instrucciones, especificaciones e imágenes incluidas en este documento pueden diferir ligeramente respecto a su situación particular. Todos los elementos descritos en esta guía tienen un objetivo de mera ilustración, y pueden no ser de aplicación en su situación particular. No se puede obtener ningún derecho ni derecho legal a partir de la descripción hecha en este manual.

Eliminación del antiguo dispositivo



Este símbolo indica que no deberá deshacerse del producto eléctrico o batería en cuestión junto con los residuos domésticos, en el ámbito de la UE. Para garantizar un tratamiento residual correcto del producto y su batería, por favor, elimínelos cumpliendo con las leyes locales aplicables sobre requisitos para el desecho de equipos eléctricos y baterías. De hacerlo, ayudará a conservar recursos naturales y mejorar los estándares de protección medioambiental en el tratamiento y eliminación de residuos eléctricos (Directiva sobre la Eliminación de Equipos Eléctricos y Electrónicos).

Marca CE

Por la presente, Lenco Benelux B.V., Thermiekstraat 1a, 6361 HB Nuth, Países Bajos, declara que este producto cumple con las exigencias esenciales de las directivas de la UE.

Se puede consultar la declaración de conformidad a través de techdoc@commaxxgroup.com



Servicio

Para obtener más información y soporte virtual, por favor visite la página web www.lenco.com

Lenco Benelux BV; Thermiekstraat 1a, 6361 HB, Nuth, Países Bajos.