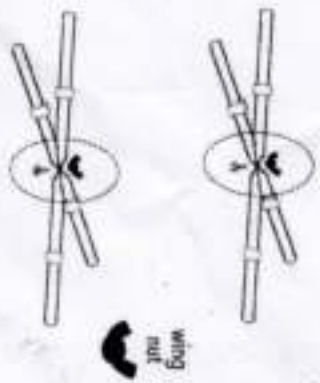


COFFEE TABLE WITH BAG

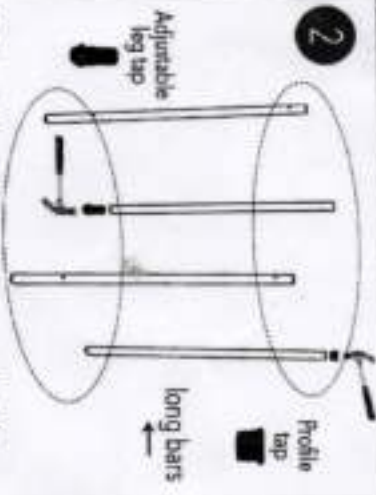
Note: We recommend to do the installation with the help of a drill.

1



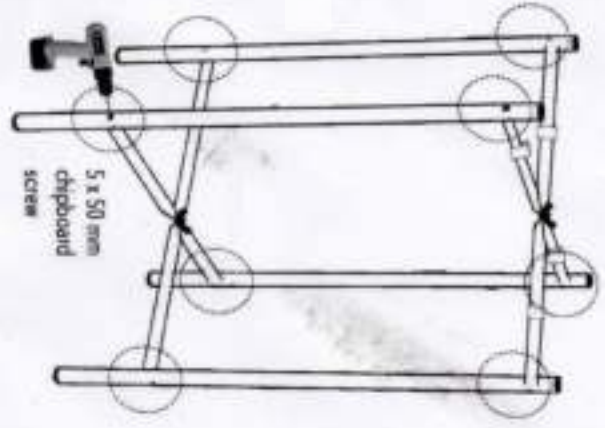
1) Connect the cross bars.

2



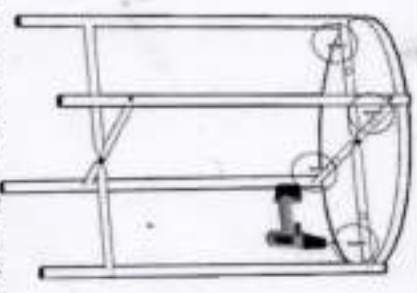
2) Bring the short-distance holes up and nail the profile taps from above. Bring the long-distance holes down and nail the adjustable leg taps from below.

3



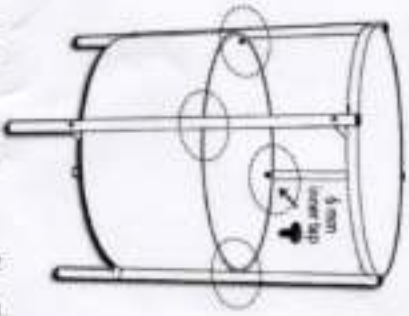
3) Connect the cross bars with long bars so that the short holes are above and the middle hole is inside.

4



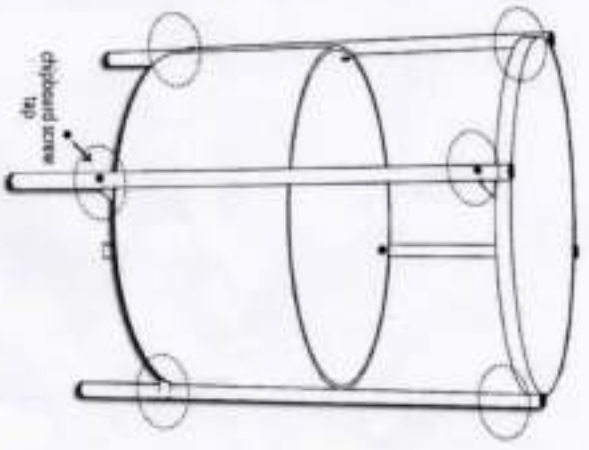
4) Fix the chipboard to the profiles with 4 x 30 mm chipboard screws.

5



5) Place the basket on the lower profiles. Then, connect the basket to the profiles with inner taps.

6



6) Complete the installation of the newspaper rack by sticking 8 chipboard screw taps on the screws. Wish you to enjoy it!

6x30 mm bolt 2 pcs	Wing nut 2 pcs	5x50 mm chipboard screw 8 pcs	4x30 mm chipboard screw 4 pcs	6 mm inner tap 4 pcs	Profile tap 4 pcs	Adjustable leg tap 4 pcs	Chipboard screw tap 8 pcs
-----------------------	-------------------	----------------------------------	----------------------------------	-------------------------	----------------------	-----------------------------	------------------------------