

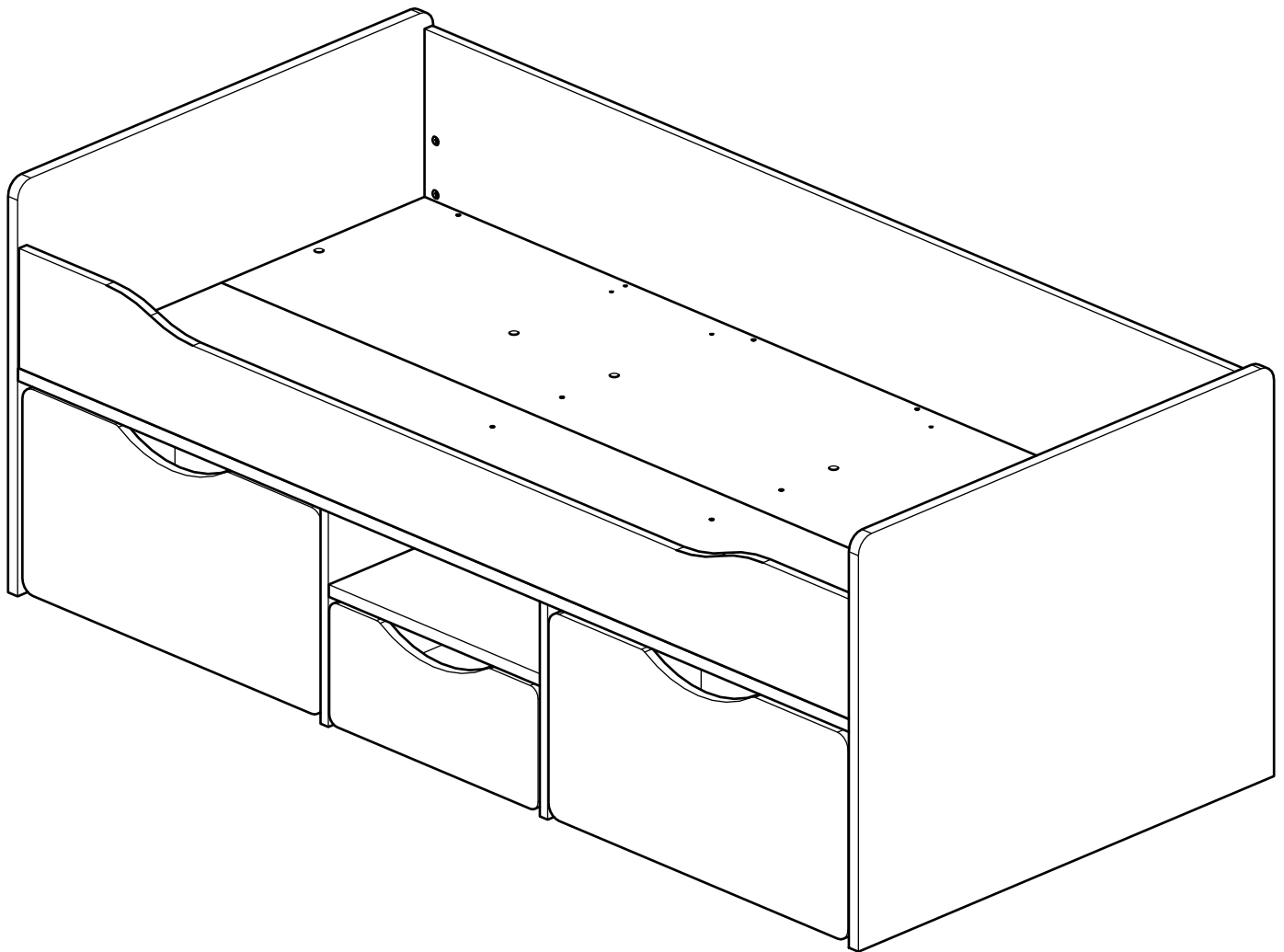
Tolgabed 90x190

Assembly Instructions - Please keep for future reference

499/4631

487/7954

487/5877



Dimensions

Width - 195,4cm

Depth - 95,5cm

Height - 74cm

499/4631 OAK
487/7954 PINK
487/5877 BLUE

Tip : To prevent damage, we recommend that you build your unit on the carton(s) it was packed in.


Important – Please read these instructions fully before starting assembly

If you need help or have damaged or missing parts, call the **Customer Helpline:**
Argos = 03456 400 800



Safety and Care Advice

Important – Please read these instructions fully before starting assembly

- Check you have all the components and tools listed on the following pages.
 - Remove all fittings from the plastic bags and separate them into their groups.
 - Keep children and animals away from the work area, small parts could choke if swallowed.
 - Make sure you have enough space to layout the parts before starting.
 - During assembly do not stand or put weight on the product, this could cause damage.
 - Assemble the item as close to its final position (in the same room) as possible.
 - Assemble on a soft level surface to avoid damaging the unit or your floor.
 - Parts of the assembly will be easier with 2 people.
- 
- To reduce the likelihood of damaging your product please ensure that your power drill is set on a low torque setting.
 - Assembly should be carried out by a competent adult only.
 - do not use this item if any components are missing or damaged.
 - this item is suitable for children from the age of 6.

Glue safety - Take care when using glue, please follow the advice below•

Skin contact: Remove contamination by washing with soap and water. This procedure should also be followed prior to eating and drinking.

Eye contact: Rinse immediately with clean water for 15 minutes and seek medical advice.

If swallowed: Seek medical advice immediately.

Care and maintenance

• Only clean using a damp cloth and mild detergent, do not use bleach or abrasive cleaners.

• From time to time check that there are no loose screws on this unit.

• This product should not be discarded with household waste. Take to your local authority waste disposal centre.

Handy Hints

• Assemble all parts and bolts loosely during assembly, only once the product is complete should you fully tighten the bolts

• Regularly check and ensure that all bolts and fittings are tightend properly.

Note: if required the next page can be cut out and used as reference throughout the assembly. Keep this page with these instructions for future reference.

Components - Panels

If you have damaged or missing components, call the **Customer Helpline: 03456 400 800**

Please check you have all the panels listed below



1 Drawer Base
(448x344x3)
BO2643



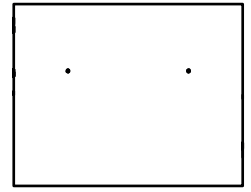
2 Drawer left side
(350x120x12,50)
LA1624



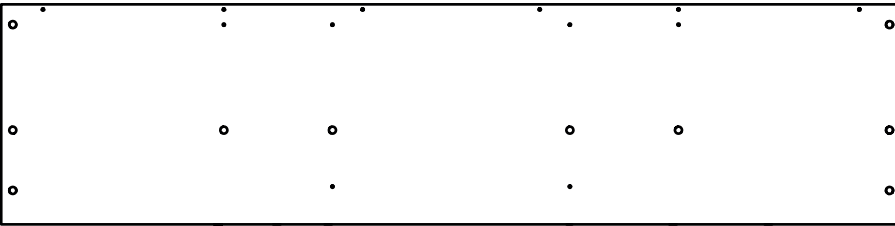
3 Drawer right side
(350x120x12,50)
LA1625



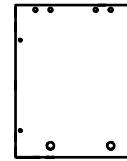
4 Drawer back
(437x120x12,50)
LA1653



8 Backpanel
(486x386x18)
P1877



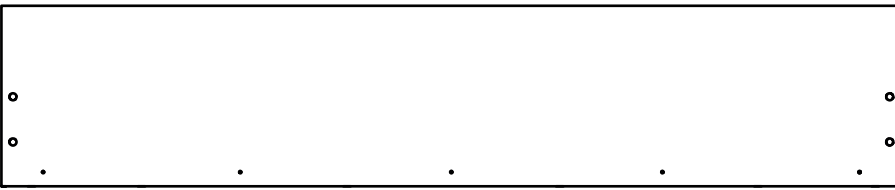
5 Bed bottom x 2
(1910x467x22)
P1874



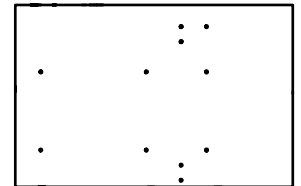
16 Storagebox
Right side
(323x250x15)
P6102



9 Shelf
(486x396x22)
P1878



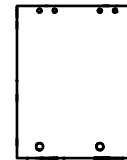
6 Side back
(1910x383x18)
P1875



10 Mid Panel x 2
(386x589x18)
P2954



7 Bed bottom support
(1900x60x28)
P1876



17 Storagebox
left side x 2
(323x250x15)
P6103



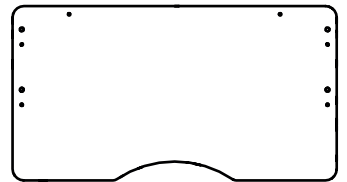
11 Drawer front
(480x221x18)
P4131



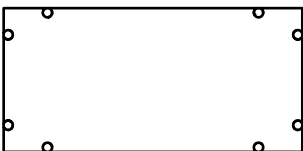
13 Side Front
(1910x215x18)
P4747



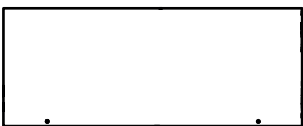
20 Plinth x 4
(694x92x15)
P7060



12 Storagebox front x 2
(688x370x18)
P4132



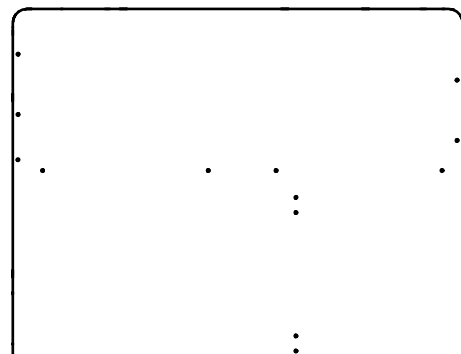
14 Storagebox base x 2
(634x305x15)
P6100



15 Storagebox back x 2
(634x250x15)
P6101



18 Headboard
(955x740x22)
P6506







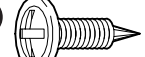






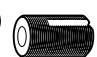
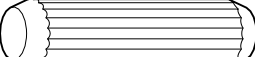
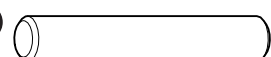





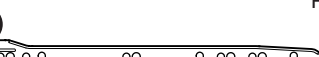
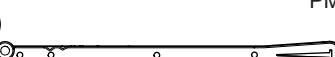

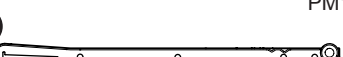
19 Footboard
(955x740x22)
P6507



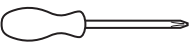
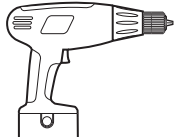


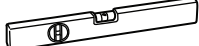
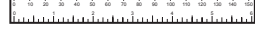

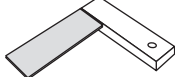

Components - Fittings

Please check you have all the fittings listed below

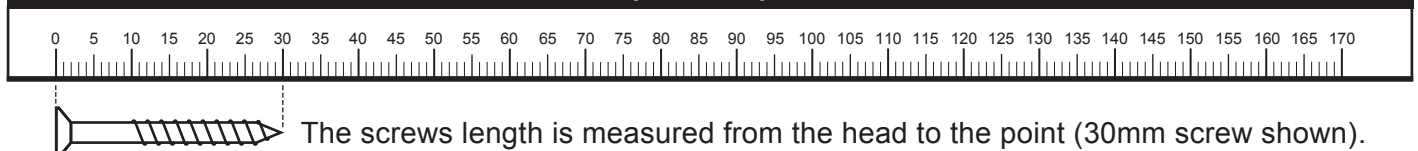
Note: The quantities below are the correct amount to complete the assembly. In some cases more fittings may be supplied than are required.

A  FK1329 Screw x 5 (4,5x45mm)	B  FK1006 Screw x 14 (3x45mm)	C  FK1005 Confirmat screw x 16 (5x40mm)
D  FK1311 Screw x 34 (3x15mm)	E  FK1400 Screw x 4 (4x15mm)	F  FK1301 Euro Screw x 4 (6.3x10mm)
G  FK1011 Locking screw x 42 (5x24mm)	H  FK1010 Small locking nut x 2 (12x10mm)	I  FK1012 Large locking nut x 40 (15x12mm)
J  FK10561 Expando Screw x 16 (5x19,5mm)	K  FK1051 Expando housing x 16	L  FK1082 Plug x 2 (5x9mm)
M  FK1411 Wood dowel x 24 (8x30mm)	N  FK1410 Wood dowel x 2 (5x30mm)	O  FK1235 L-Bracket x 2
P  FK1250 Drawerbase support x 4	Q  FK1013 Allen Key x 1 (3mm)	R  FA1510 Glue x 2
S  FK1244 Wheel x 10	T  PM1517 LA Runner left part A x 1	U  PM1517 LB Runner left part B x 1
V  PM1517 RA Runner right part A x 1	W  PM1517 RB Runner right part B x 1	

Tools required

	Phillips screwdriver (medium & large)		Drill		Small hammer
	Flatblade screwdriver (medium)		Spirit level		Ruler/tape measure
	6mm Suitable drill bit (for use with wall plug)		Setsquare		Eye protection (when using a hammer or glue)

Ruler - Use this ruler to help correctly identify the screws

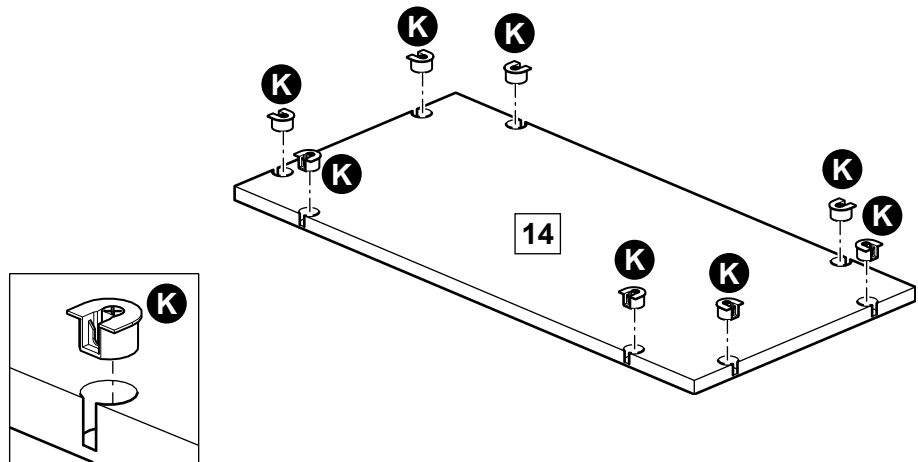


Assembly Instructions

Step - 1

Insert expando housing **K** into Storagebox base **14**.
Make sure that the expando housing **K** is open.

2x



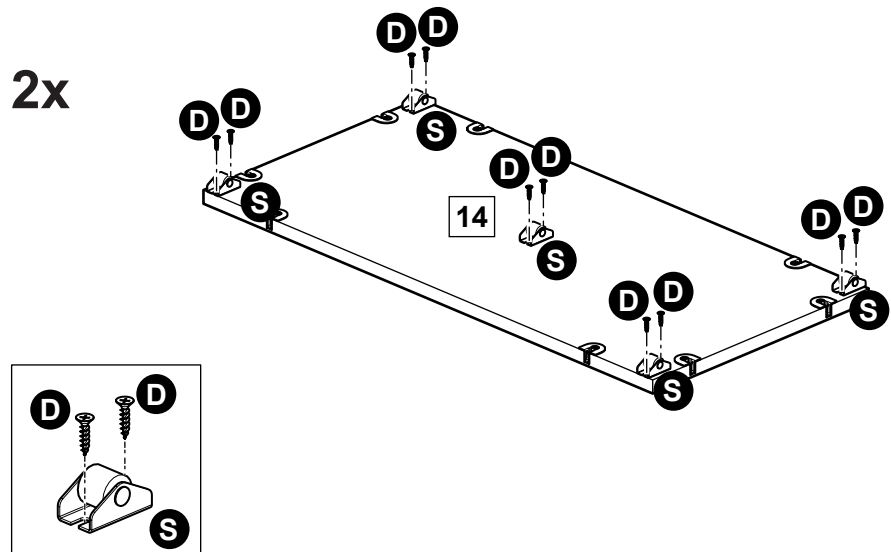
Step - 2

Position the wheel **S** on the storagebox base **14**.

Make sure that there is enough free space to the edges of storagebox base **14**.

Use 2 screws 15mm **D** to mount each wheel **S** on storagebox base **14**.

2x



Step - 3

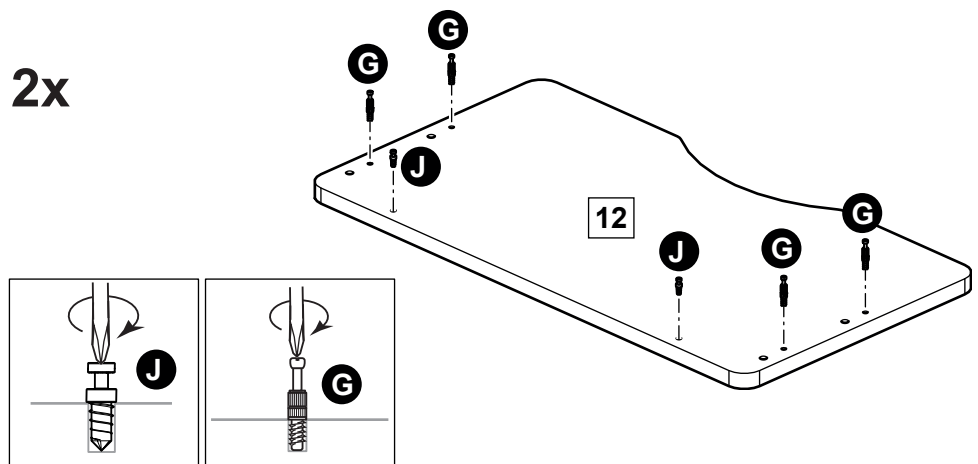
Screw locking screw **G** into storagebox front **12**.

Note: Insert locking screw **G** as far as shown.
Do not over tighten.

Screw expando screw **J** into storagebox front **12**.

Note: Insert expando screw **J** as far as shown.
Do not over tighten.

2x



Assembly Instructions

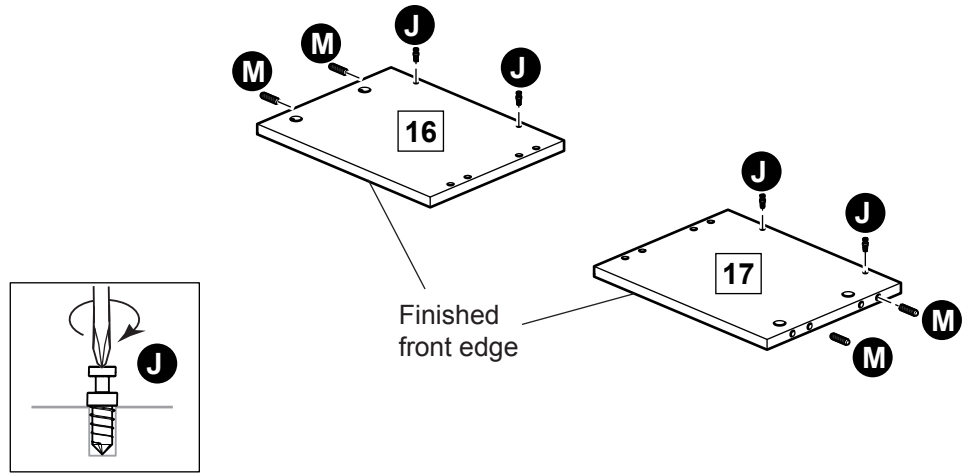
Step - 4

Screw expando screw **J** into storagebox sides **16/17**.

Note: Insert expando screw **J** as far as shown. **Do not over tighten.**

Put dowels **M** into the holes of Storagebox sides **16/17**.

2x



Step - 5

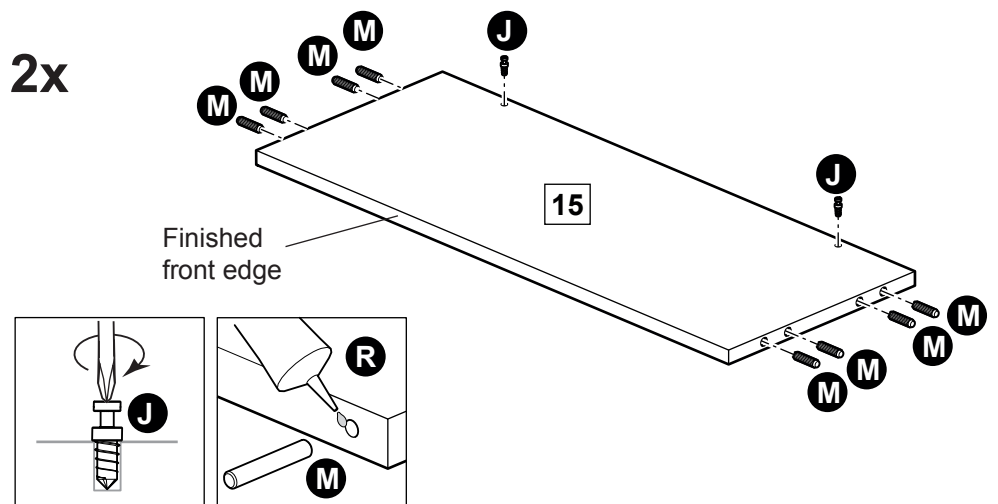
Screw expando screw **J** into storagebox back **15**.

Note: Insert expando screw **J** as far as shown. **Do not over tighten.**

Put drop of glue **R** into the 8 holes of storagebox back **15**.

Put dowels **M** into the holes of Storagebox back **15**.

2x



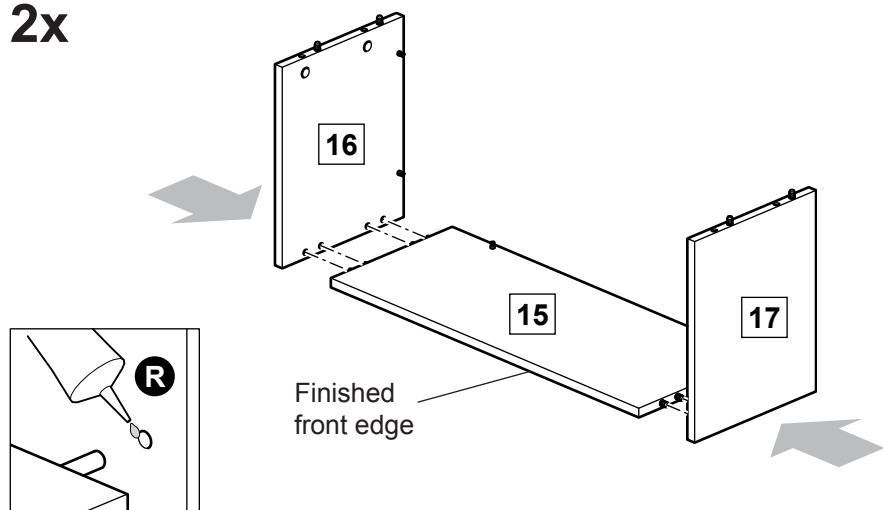
Step - 6

Attaching panels

Put drop of glue **R** into the 8 holes of storagebox sides **16/17**.

Position the 8 dowels **M** of storagebox back **15** onto the holes of Storagebox sides **16/17**.

2x



Assembly Instructions

Step - 7

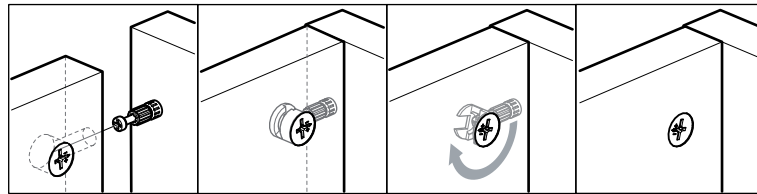
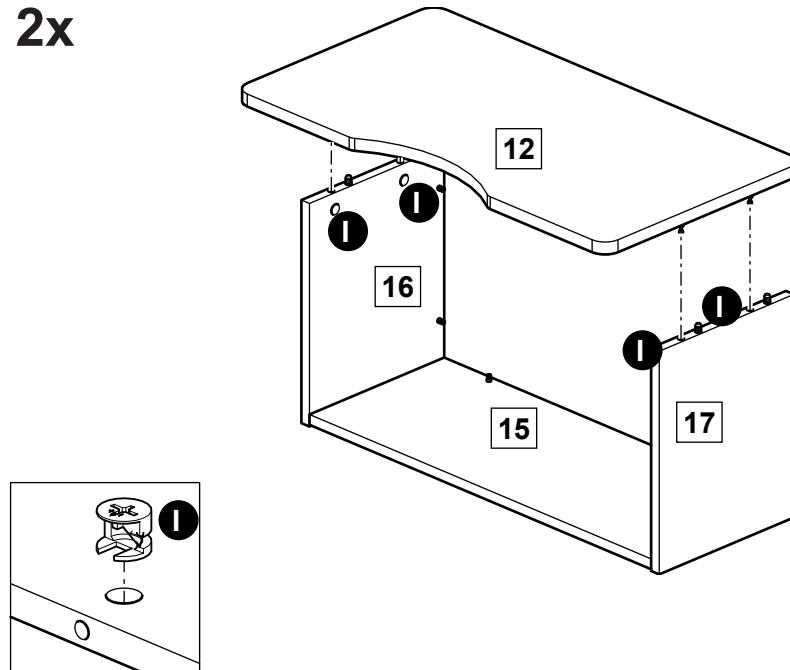
Insert large locking nuts ❶ into storagebox sides 16/17.

Make sure the 'arrow' on locking nuts ❶ points towards the hole in the edge of 16/17.

Position storagebox front 12 onto the unit.

Use a screwdriver to turn locking nuts ❶ clockwise to lock.

2x



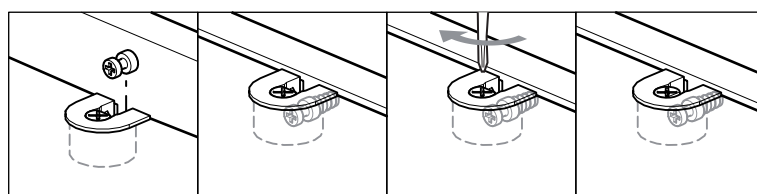
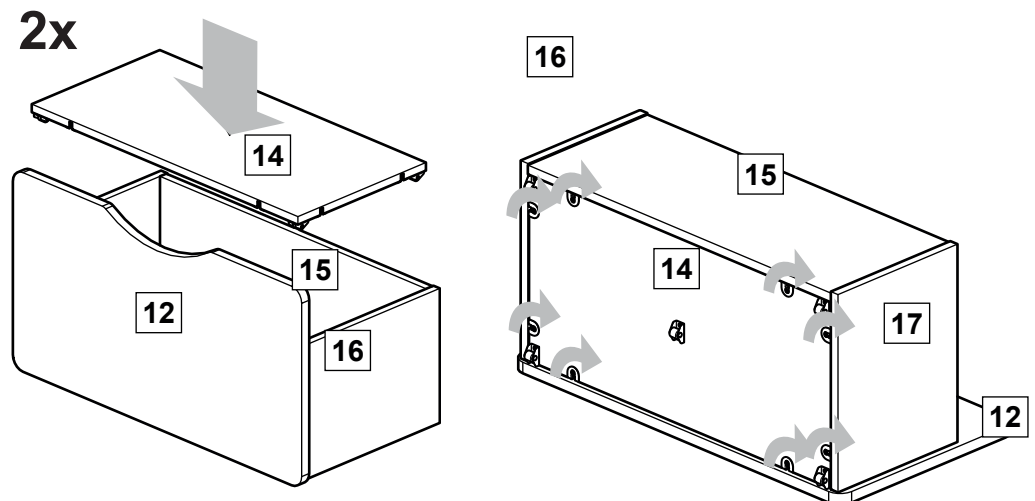
Step - 8

Attaching base

Slide storagebox base 14 into the drawer from the top until the 8 expando screws ❷ are totally in the expando housing ❸ of storagebox base 14.

Use a screwdriver to turn expando housig clockwise to lock.

2x

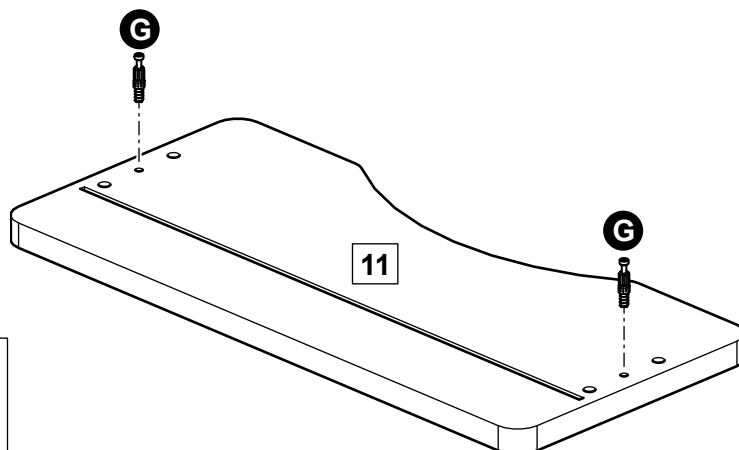
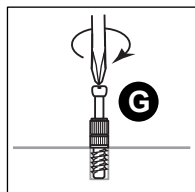


Assembly Instructions

Step - 9

Screw locking screw **G** into drawer front **11**.

Note: Insert locking screw **G** as far as shown.
Do not over tighten.

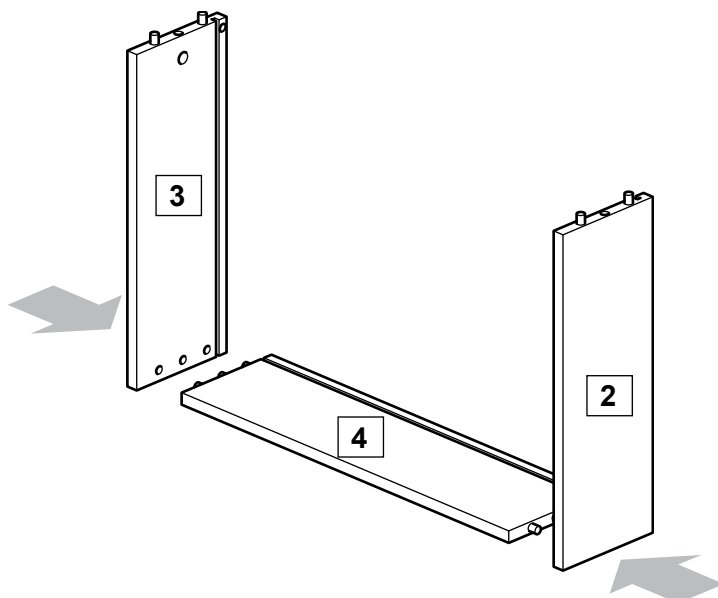
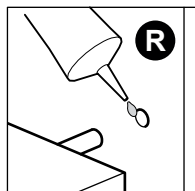


Step - 10

Attaching panels

Put drop of glue **R** into the 6 holes of storagebox sides **2/3**.

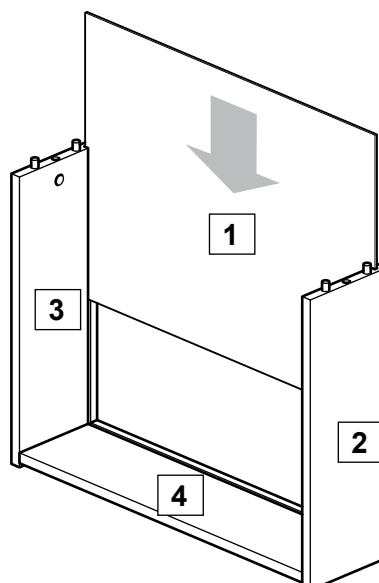
Position the 6 dowels of drawer back **4** onto the holes of Storagebox sides **2/3**.



Step - 11

Attaching panels

Insert drawer base **1** into the grooves of drawer sides **2/3** and drawer back **4**.



Assembly Instructions

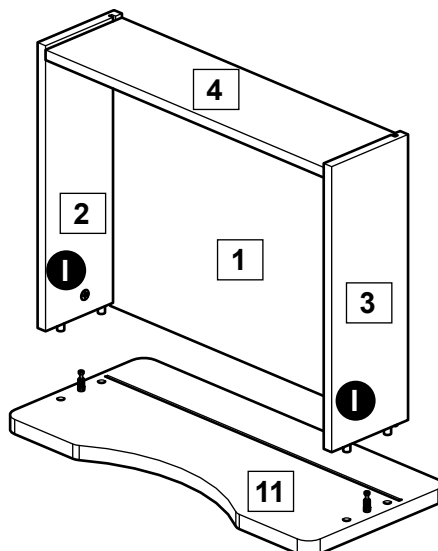
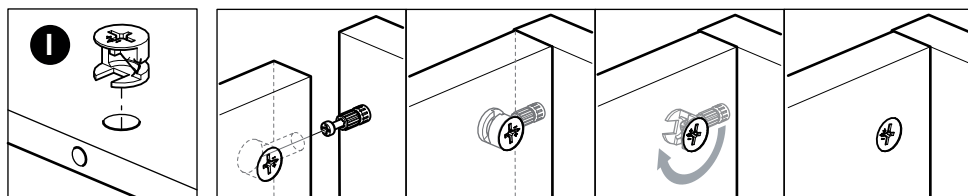
Step - 12

Insert small locking nuts **I** into Drawer sides **2/3**.

Make sure the 'arrow' on locking nuts **I** points towards the hole in the edge of **2/3**.

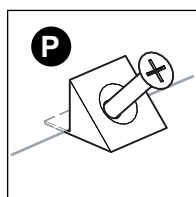
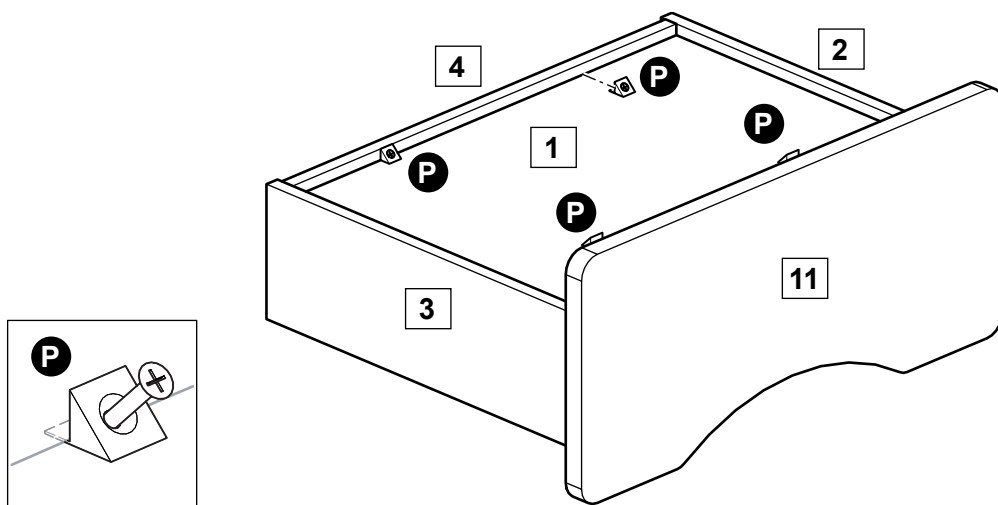
Position drawer onto drawer front **11**.

Use a screwdriver to turn locking nuts clockwise to lock.



Step - 13

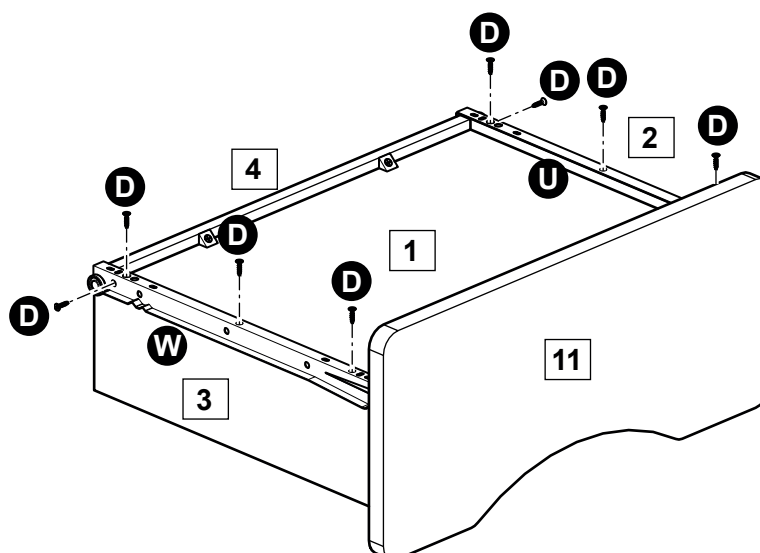
Slide drawerbase support **P** in the grooves as shown and fix them, using the attached screw.



Step - 14

Fix runner left part B **U** on left drawer side **2** as shown using 15mm screw **D**.

Fix runner right part B **W** on right drawer side **3** as shown using 15mm screw **D**.

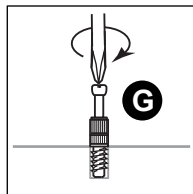
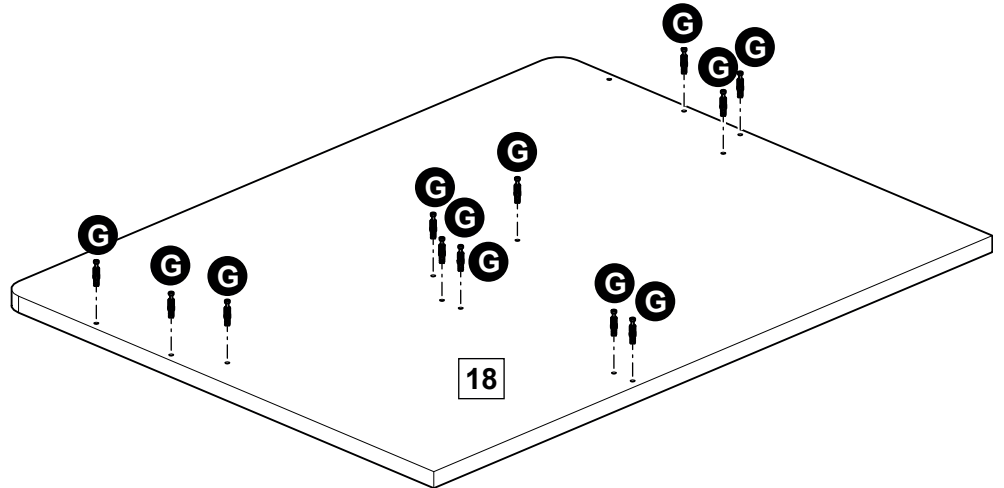


Assembly Instructions

Step - 15

Screw locking screw **G** into headboard **18**.

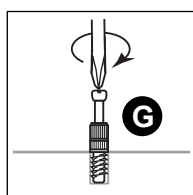
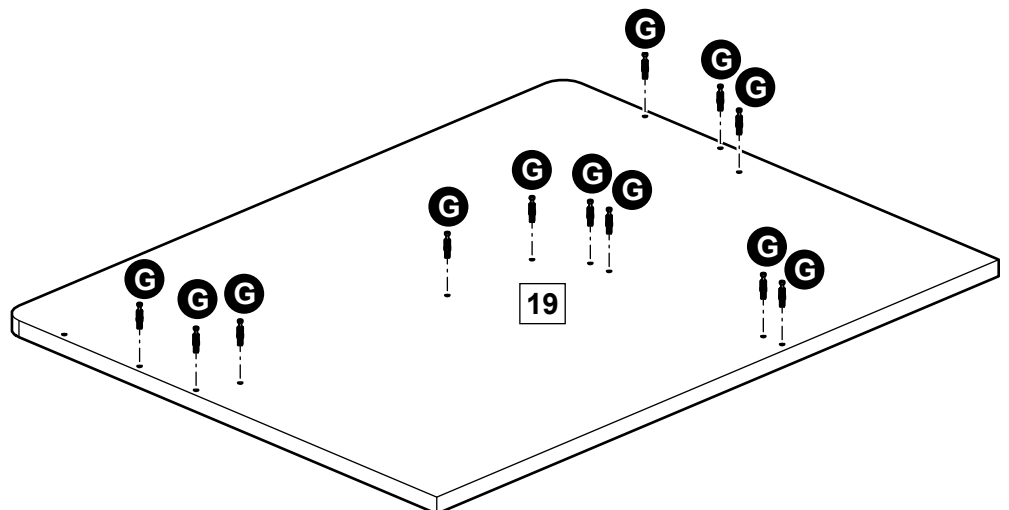
Note: Insert locking screw **G** as far as shown.
Do not over tighten.



Step - 16

Screw locking screw **G** into footboard **19**.

Note: Insert locking screw **G** as far as shown.
Do not over tighten.



Assembly Instructions

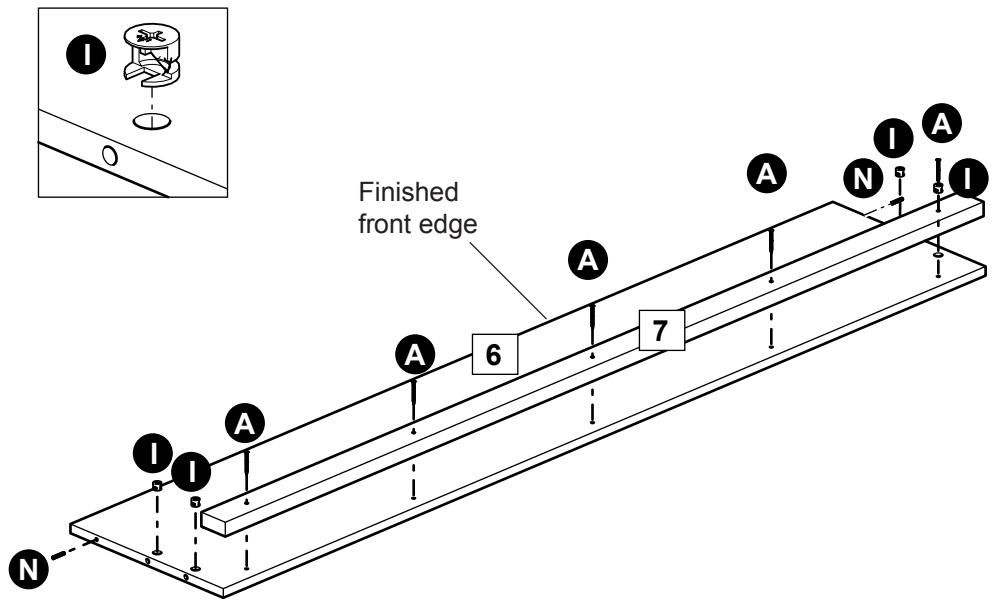
Step - 17

Put dowels **N** into the holes of side back **6**.

Insert large locking nuts **I** into side back **6**.

Make sure the 'arrow' on locking nuts **I** points towards the hole in the edge of **6**.

Align holes of bed bottom support **7** with holes side back **6** as shown and attach using 45mm screw **A**.



Step - 18

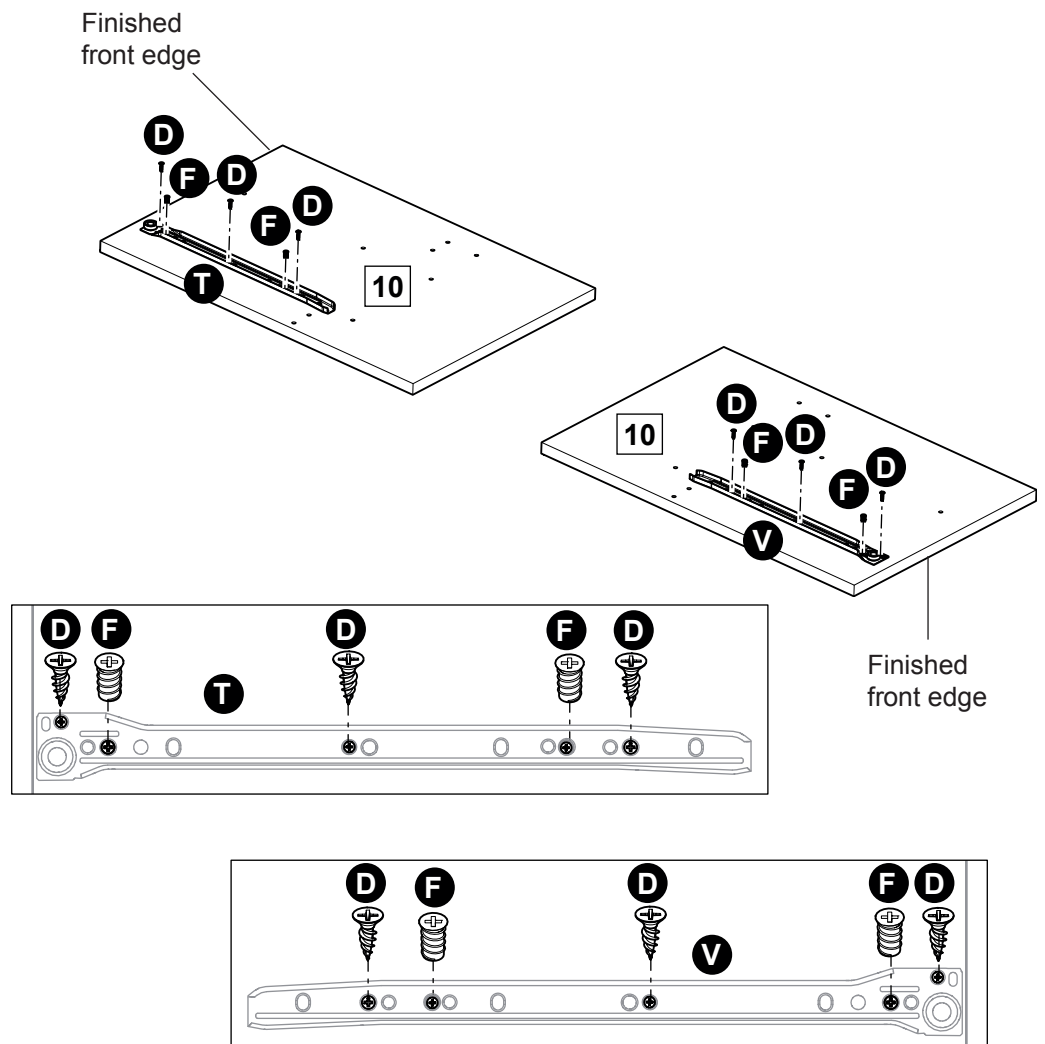
Attaching runners

Fix runner left part A **T** on mid panel **10** as shown using 10mm euro screw **F** into mid panel **10**.

Insert 15mm screw **D** as shown into mid panel **10** to fix runner left part A **T**.

Note: look careful for the right position.

Repeat steps with mid panel **10** and runner left part A **V**.



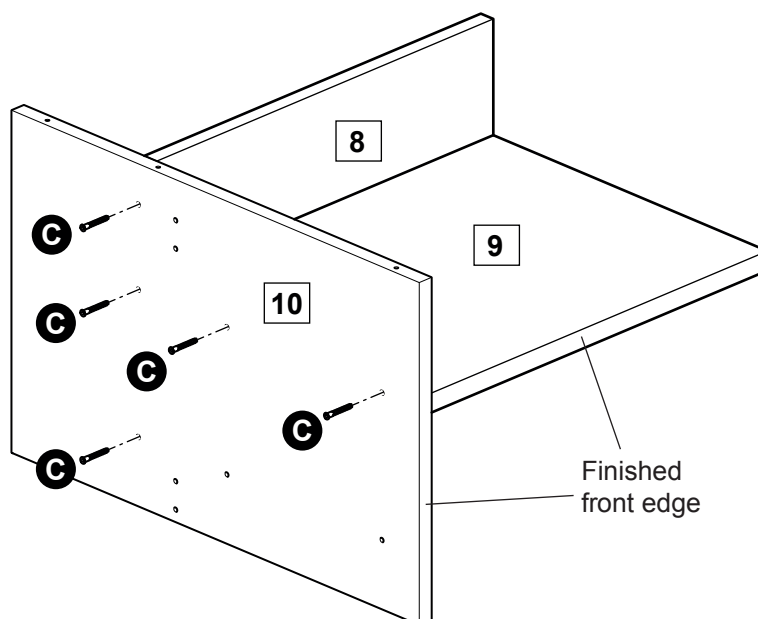
Assembly Instructions

Step - 19

Position mid panel **10** (with left runner part A **T**) onto backpanel **8**. Insert three confirmat screws **C** through mid panel **10** into backpanel **8** as shown.

Use allen key **Q** to turn confirmat screw **C** into panel.

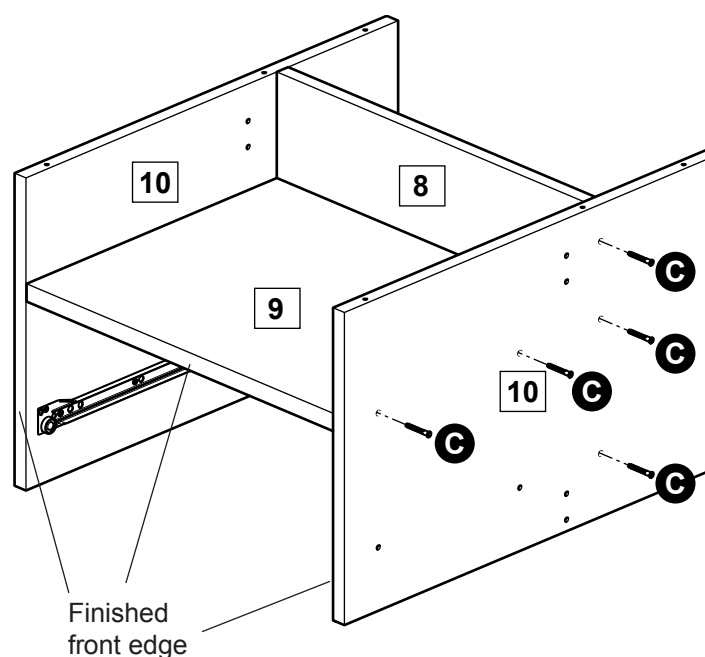
Position shelf **9** onto mid panel **10**. Insert two confirmat screws **C** through mid panel **10** into shelf **9** as shown.



Step - 20

Position mid panel **10** (with right runner part A **V**) onto backpanel **8** and shelf **9**. Insert five confirmat screws **C** through mid panel **10** into backpanel **8** and shelf **9** as shown.

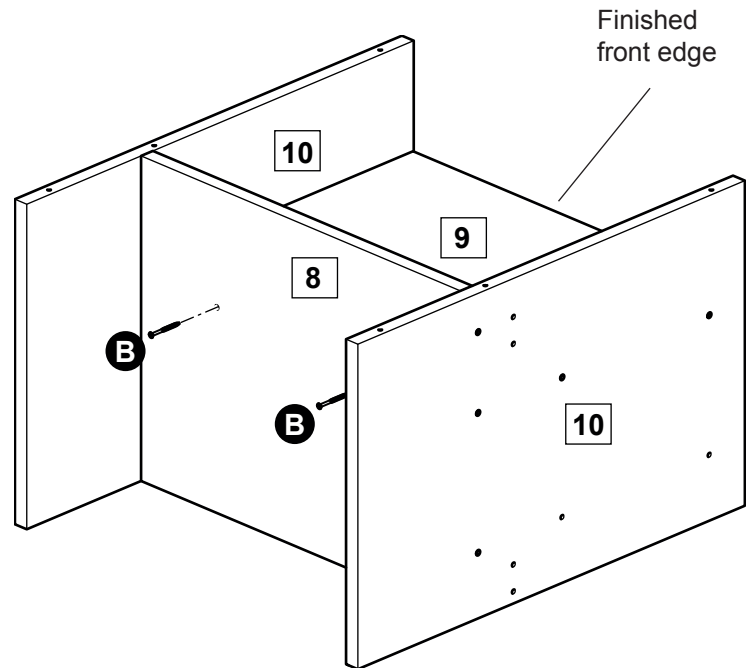
Use allen key **Q** to turn confirmat screw **C** into panel.



Assembly Instructions

Step - 21

Fix shelf **9** onto backpanel **8** as shown using 45mm screw **B**.

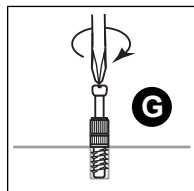
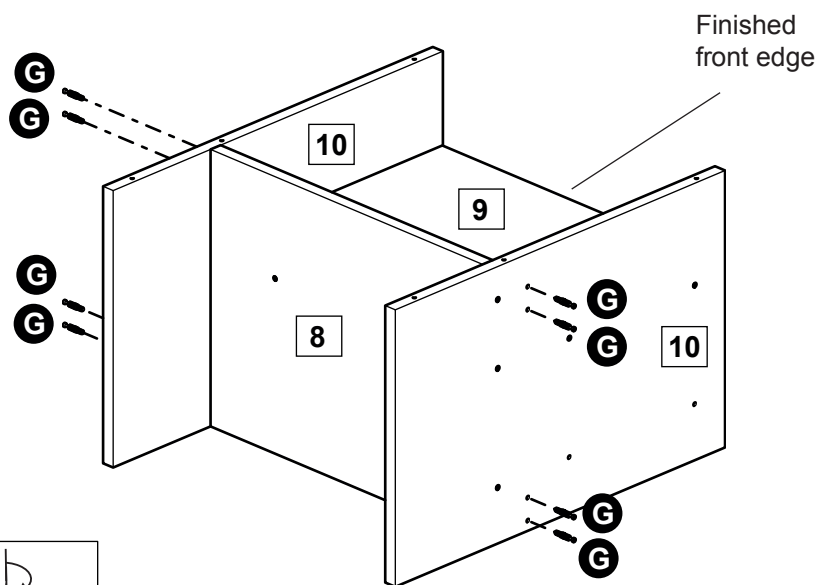


Step - 22

Screw locking screw **G** into mid panel **10**.

Note: Insert locking screw **G** as far as shown. **Do not over tighten.**

Repeat for mid panel **10** other side



Assembly Instructions

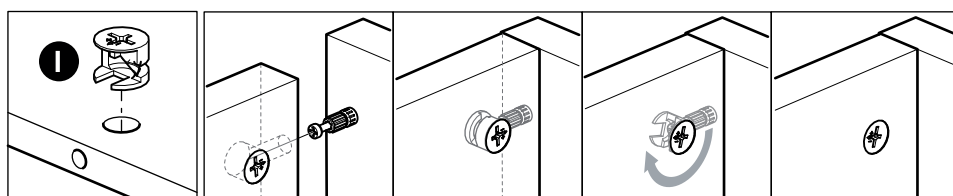
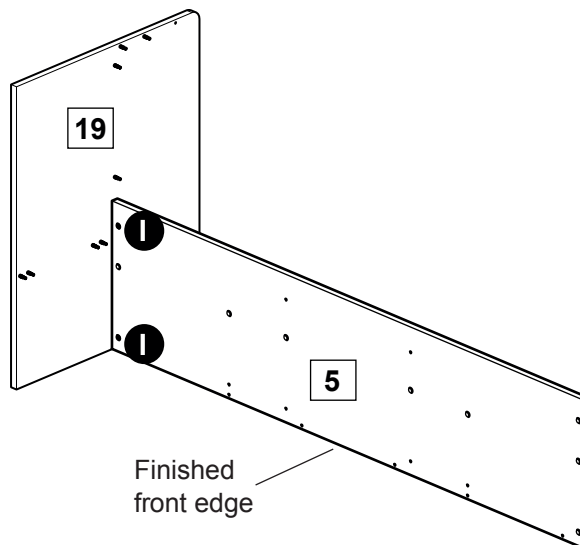
Step - 23

Attaching panels

Two people are needed here.

Position bed bottom **5** onto footboard **19**.

Use a screwdriver to turn locking nuts clockwise to lock.



Step - 24

a: Insert large locking nuts **1** into plinth **20**.

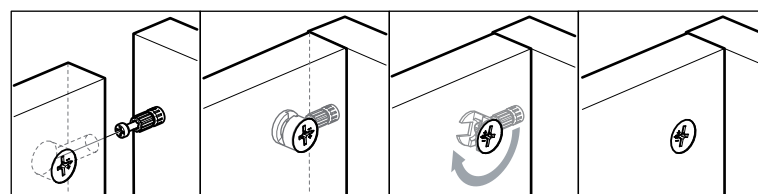
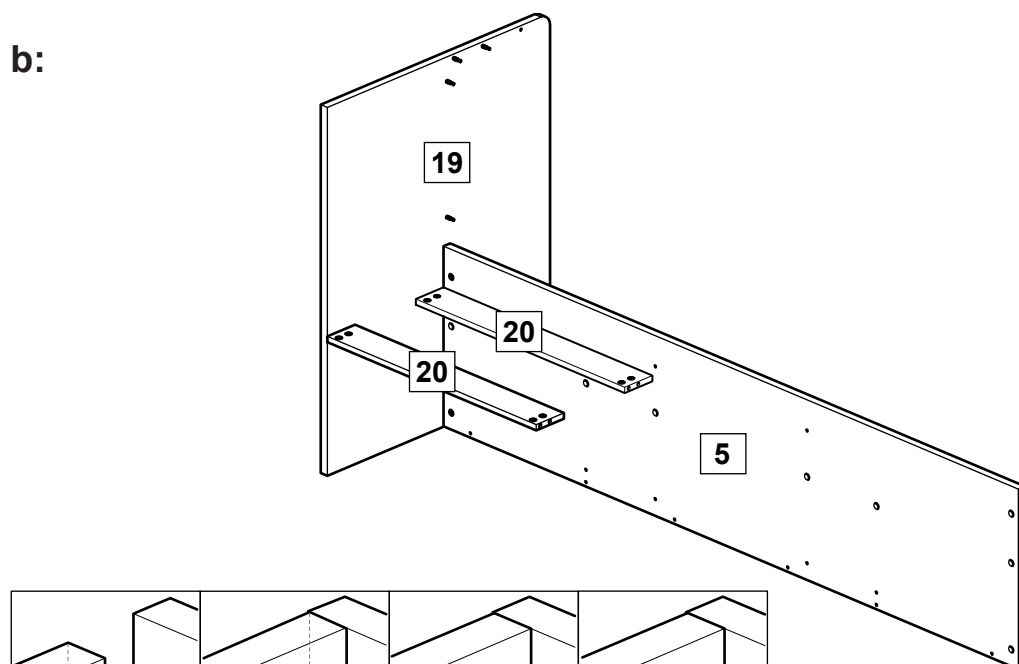
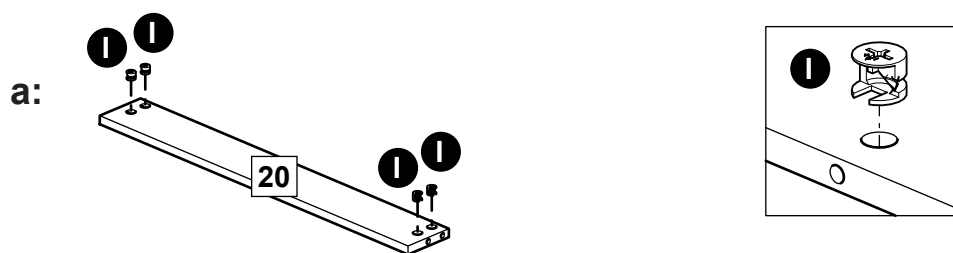
Make sure the 'arrow' on locking nuts **1** points towards the hole in the edge of **20**.

b: Two people are needed here.

Position plinth **20** onto footboard **19**.

Use a screwdriver to turn locking nuts clockwise to lock.

Repeat for other plinth **20**



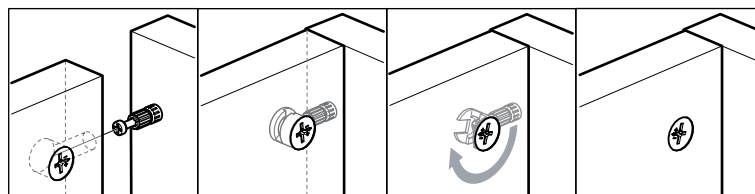
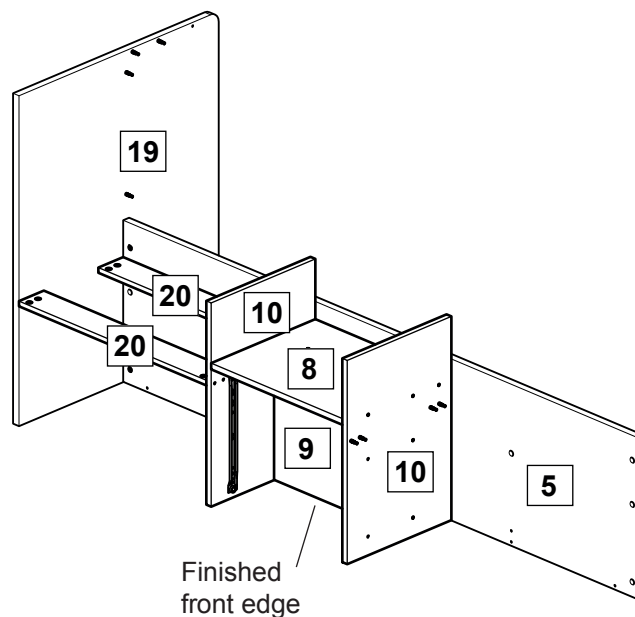
Assembly Instructions

Step - 25

Two people are needed here.

Position central drawer unit onto plinths **20**.

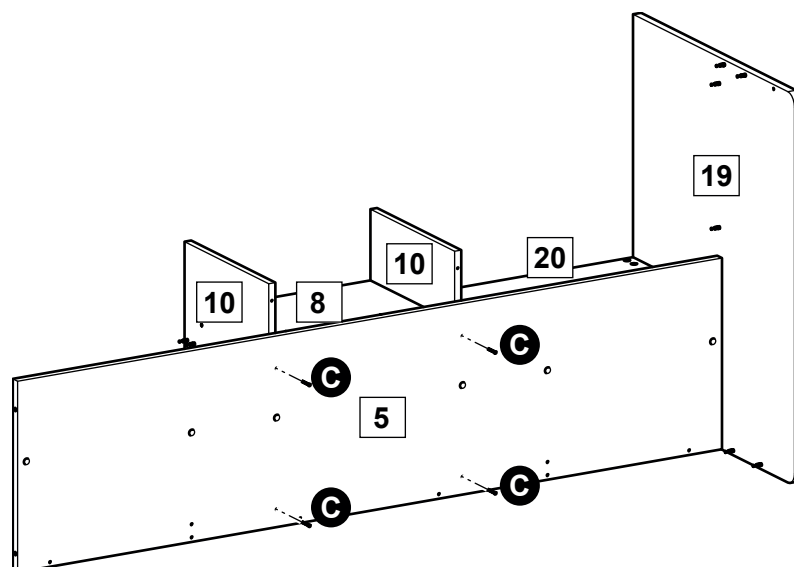
Use a screwdriver to turn locking nuts clockwise to lock.



Step - 26

Two people are needed here.

Attach bed bottom **5** with central drawer unit as shown and attach using 40mm confirmat screw **C**.



Assembly Instructions

Step - 27

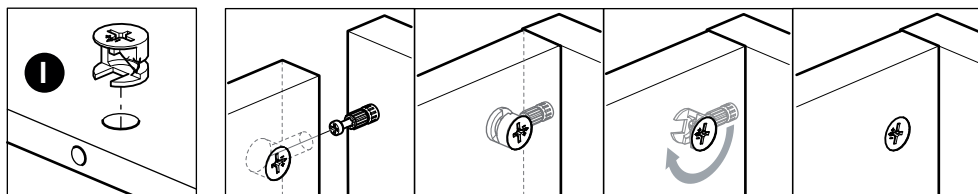
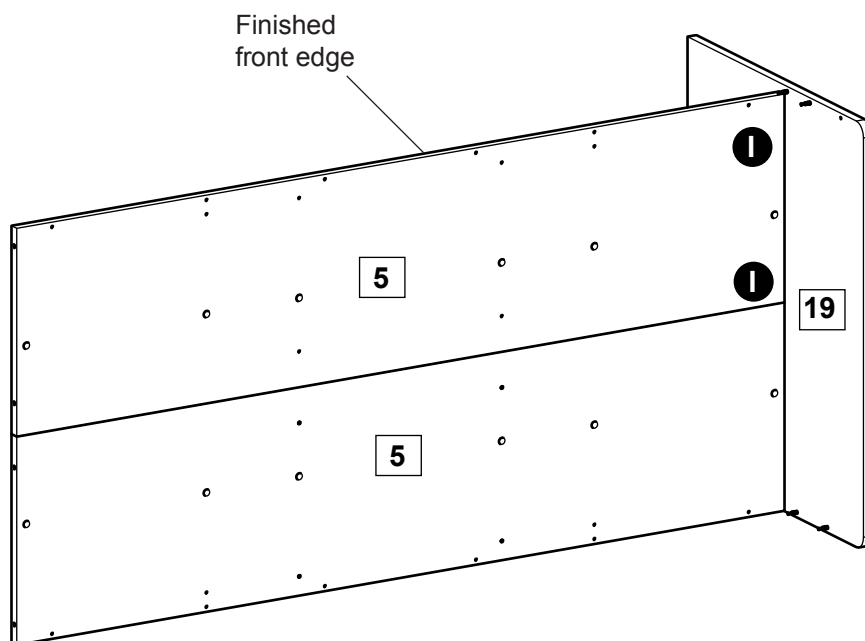
a: Insert large locking nuts **1** into bed bottom **5**.

Make sure the 'arrow' on locking nuts **1** points towards the hole in the edge of **20**.

b: Two people are needed here.

Position bed bottom **5** onto footboard **19**.

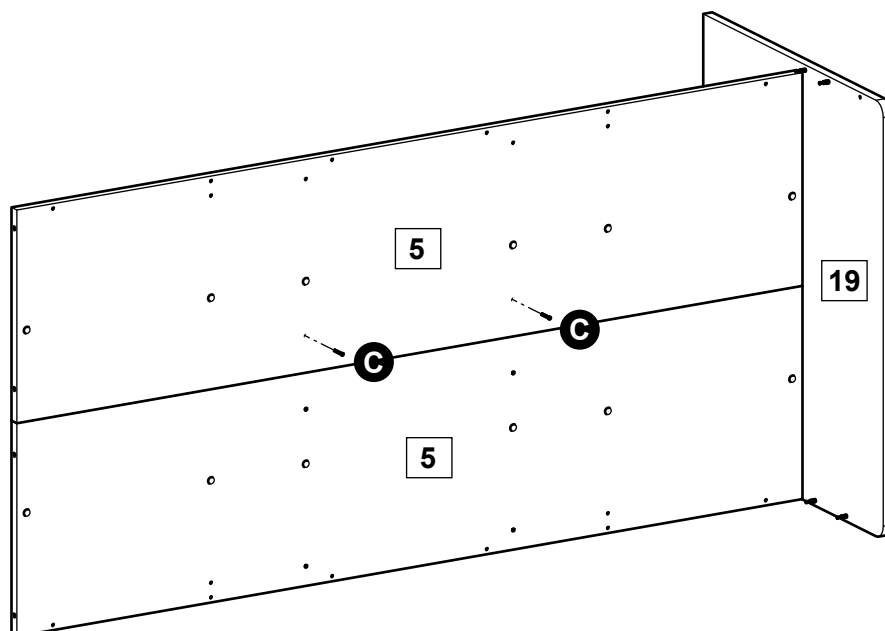
Use a screwdriver to turn locking nuts clockwise to lock.



Step - 28

Two people are needed here.

Attach bed bottom **5** with central drawer unit as shown and attach using 40mm confirmat screw **C**.



Assembly Instructions

Step - 29

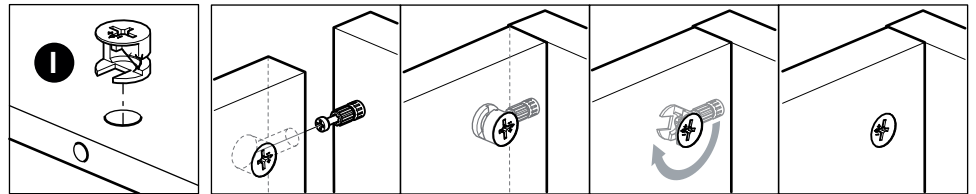
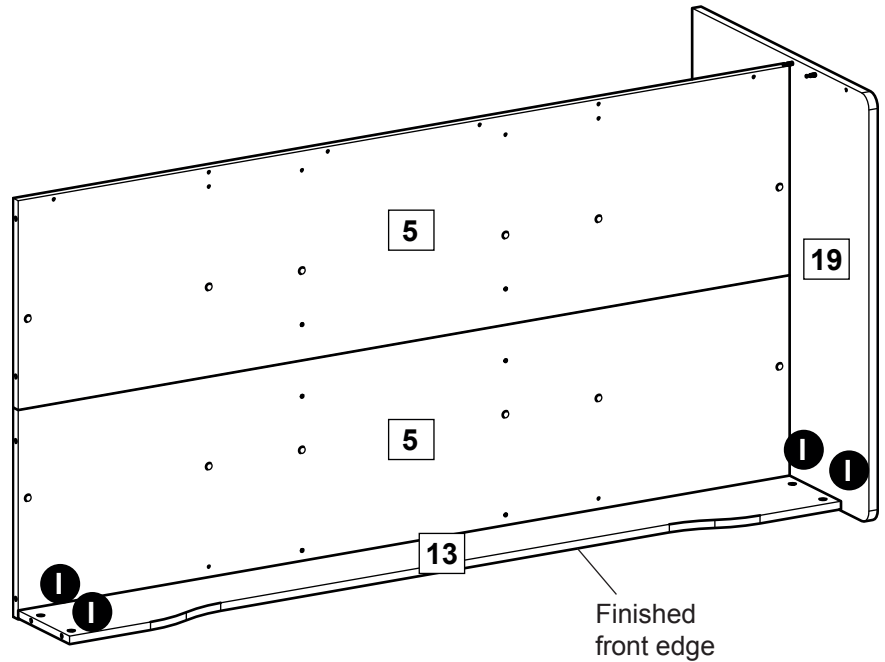
a: Insert large locking nuts **I** into side front **13**.

Make sure the 'arrow' on locking nuts **I** points towards the hole in the edge of **13**.

b: Two people are needed here.

Position side front **13** onto footboard **19**.

Use a screwdriver to turn locking nuts clockwise to lock.

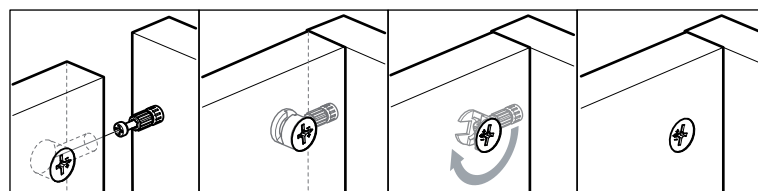
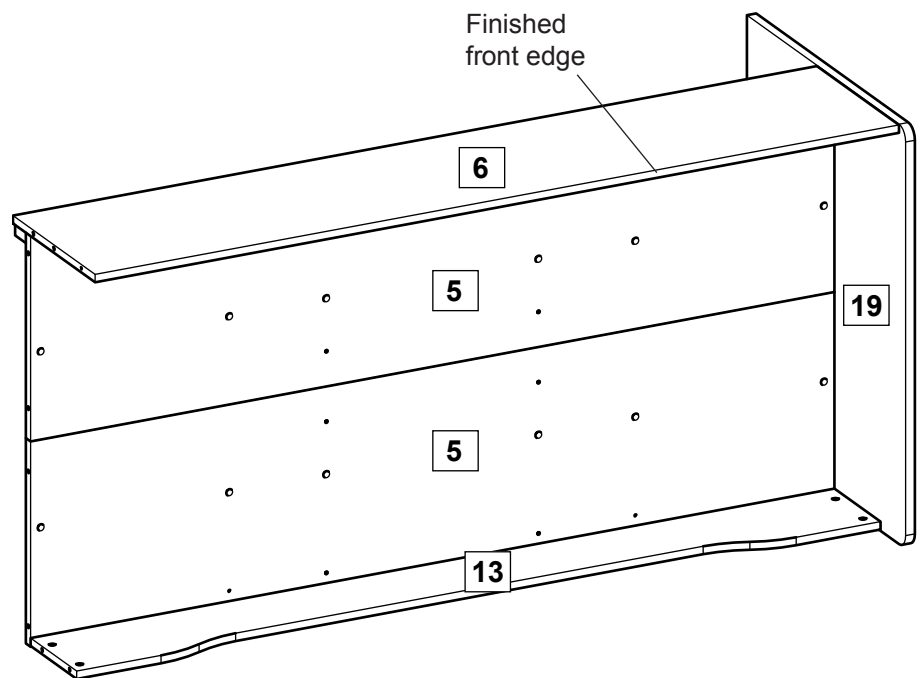


Step - 30

Two people are needed here.

Position side back **6** onto footboard **19**.

Use a screwdriver to turn locking nuts clockwise to lock.

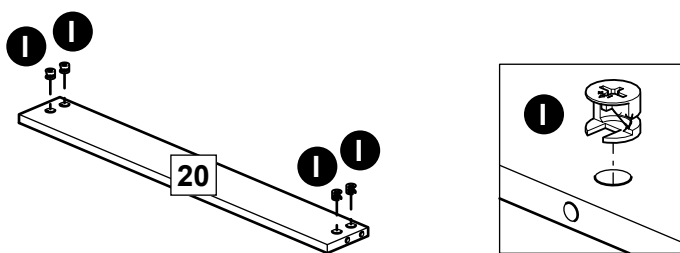


Assembly Instructions

Step - 31

a: Insert large locking nuts **1** into plinth **20**.

Make sure the 'arrow' on locking nuts **1** points towards the hole in the edge of **20**.

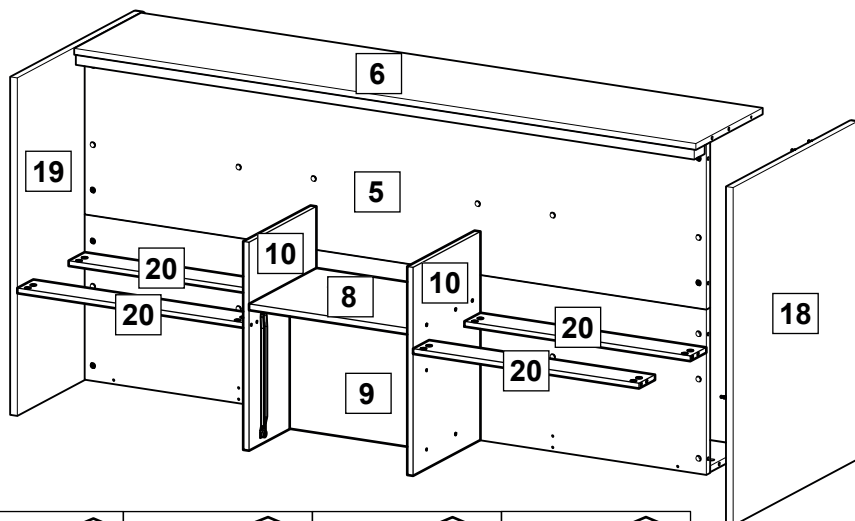


b: Two people are needed here.

Position plinth **20** onto central drawer unit.

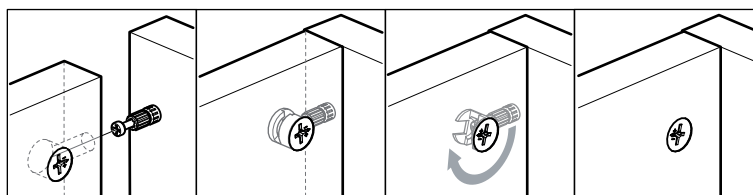
Use a screwdriver to turn locking nuts clockwise to lock.

Repeat for other plinth **20**



c: Position headboard **18** onto bed.

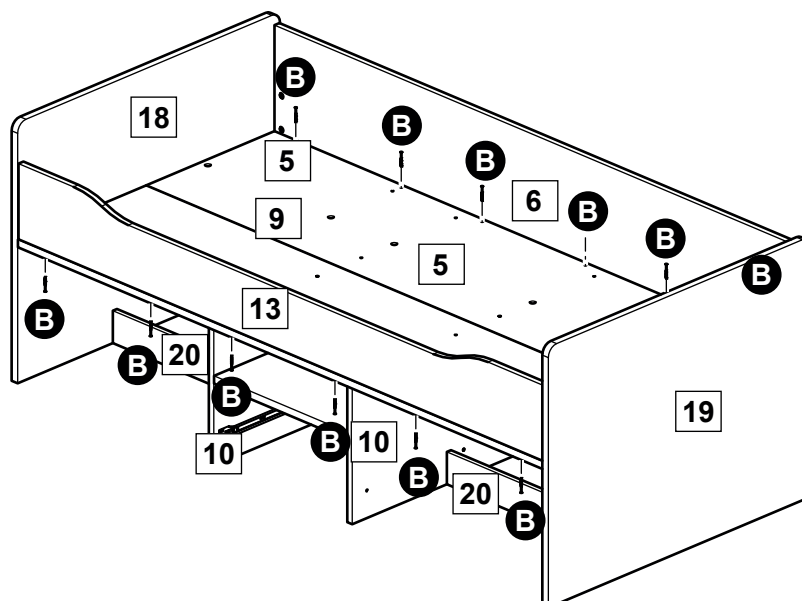
Use a screwdriver to turn locking nuts clockwise to lock.



Step - 32

a: Attach bed bottom **5** onto bed bottom support **7** using 45mm screw **B**.

b: Attach bed bottom **5** onto side front **13** using 45mm screw **B**.



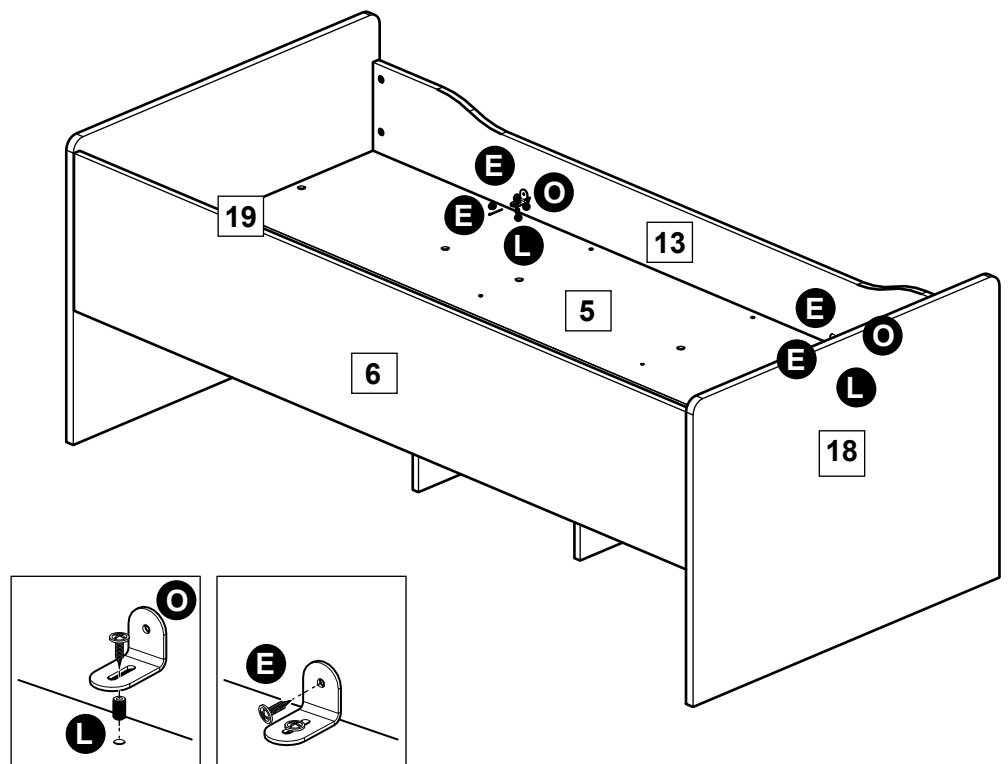
Assembly Instructions

Step - 33

a: Insert plug **L** into bed bottom **5**.

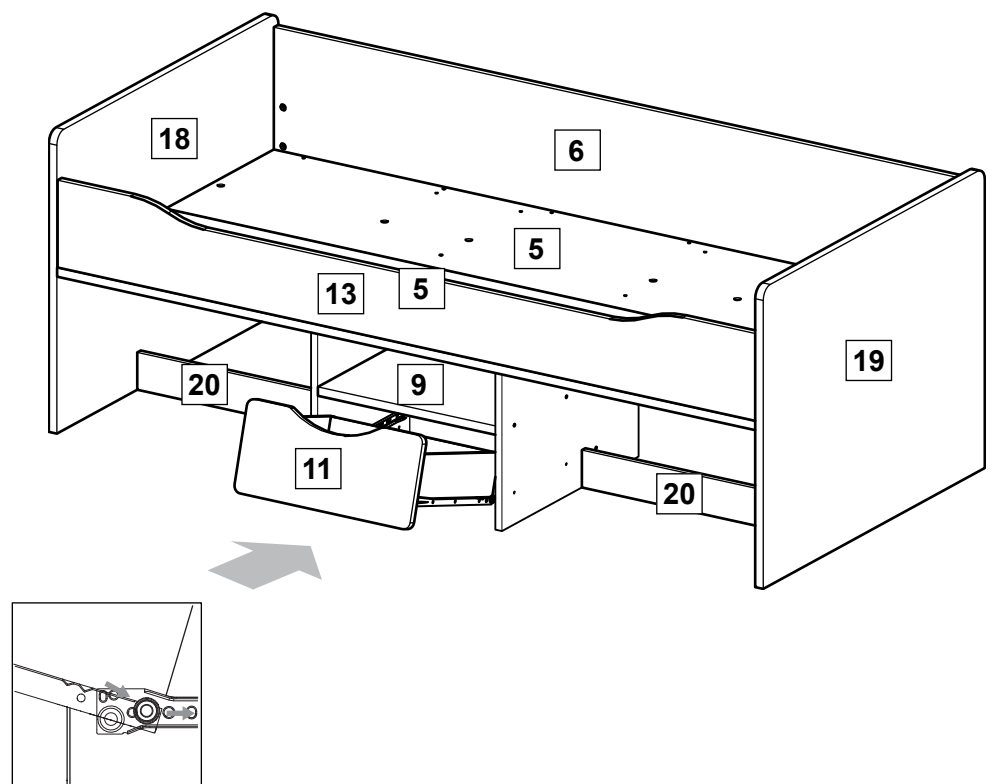
b: Position L-Bracket **O** onto bed bottom **5** as shown, fix by using 15mm screw **E**.

c: Fix L-Bracket **O** onto side front **13** as shown, fix by using 15mm screw **E**.



Step - 34

Inserting drawers as shown.



Assembly Instructions

Step - 35

Inserting storagebox
as shown.

Assembly is complete.

