



# NINJAGO

Masters of Spinjitzu

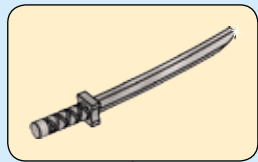
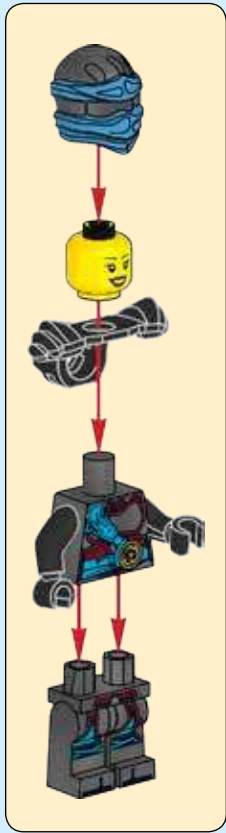
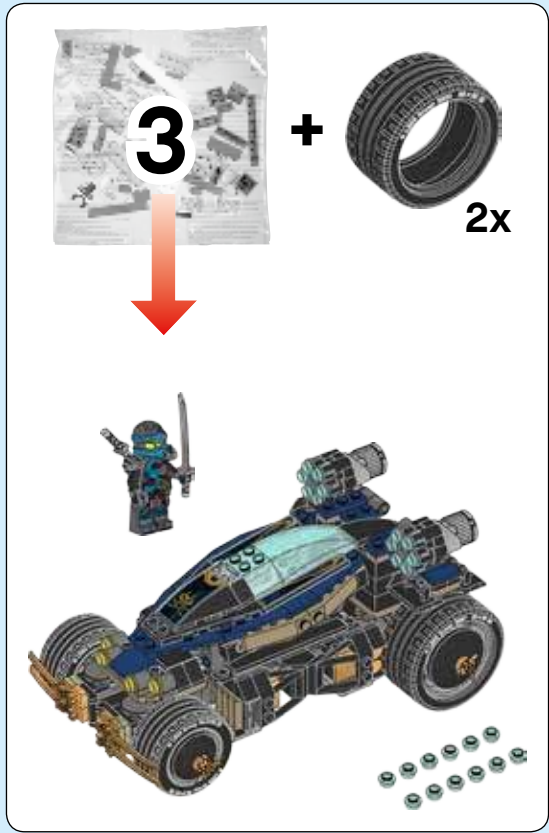


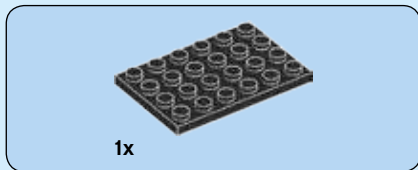
70625



7 [LEGO.com/NINJAGO](http://LEGO.com/NINJAGO)

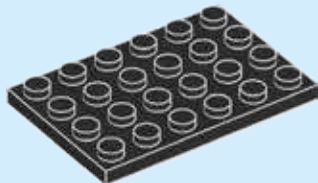






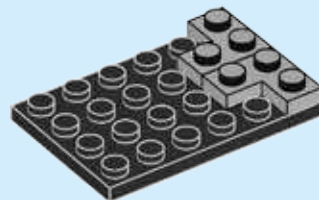
1x

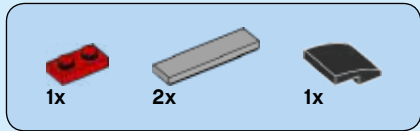
85



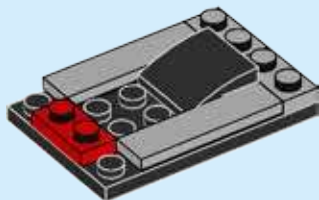
2x

86

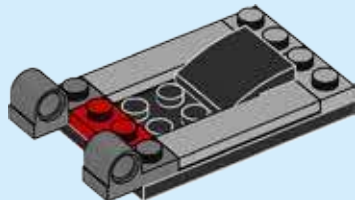




87



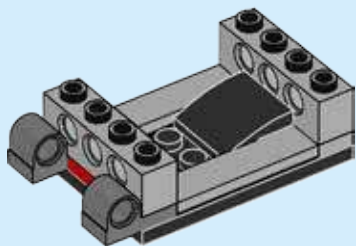
88





2x

# 89

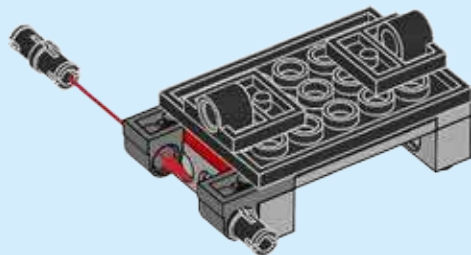
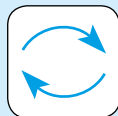


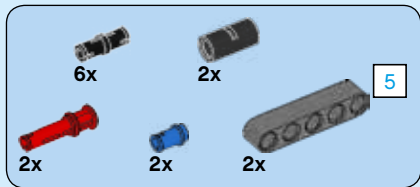
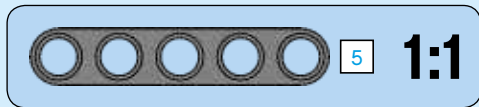
2x



2x

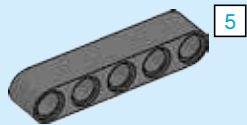
# 90



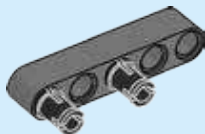


# 91

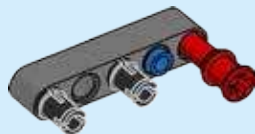
1



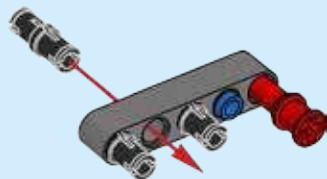
2



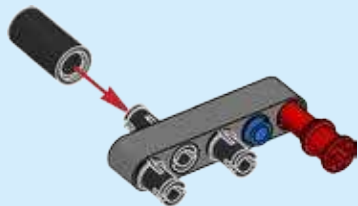
3



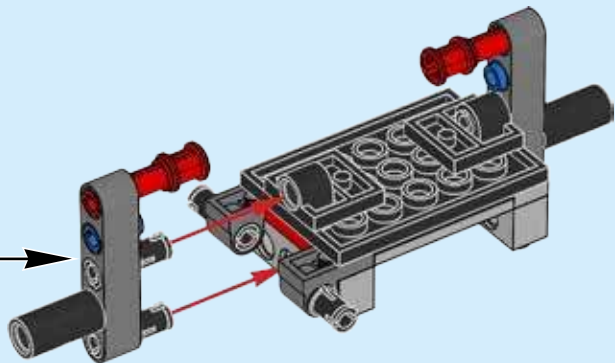
4



5

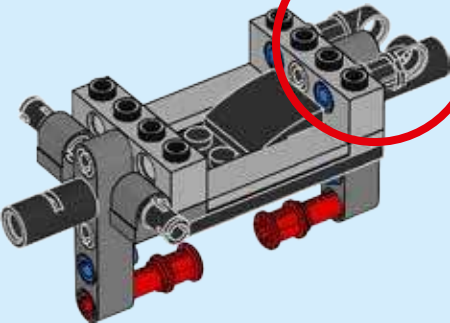
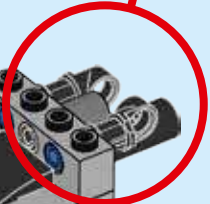
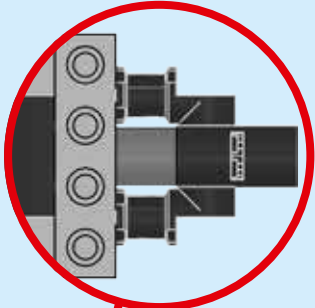
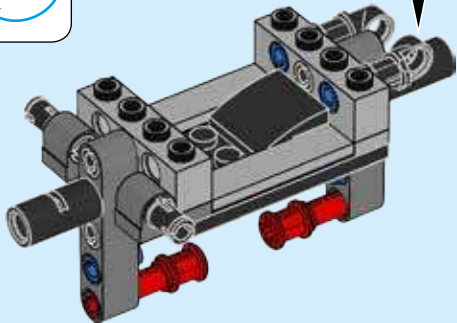


2x

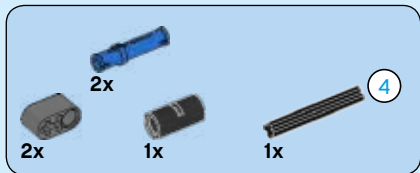




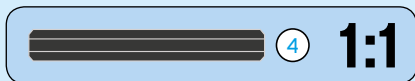
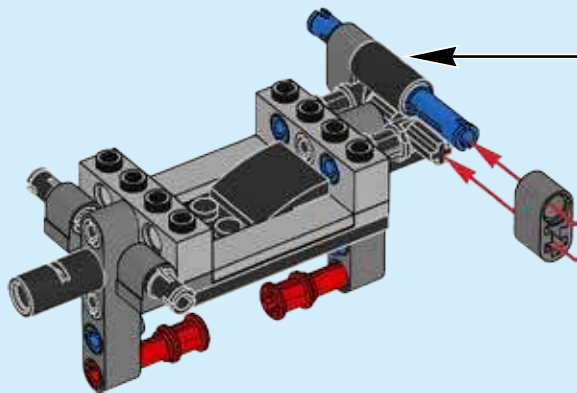
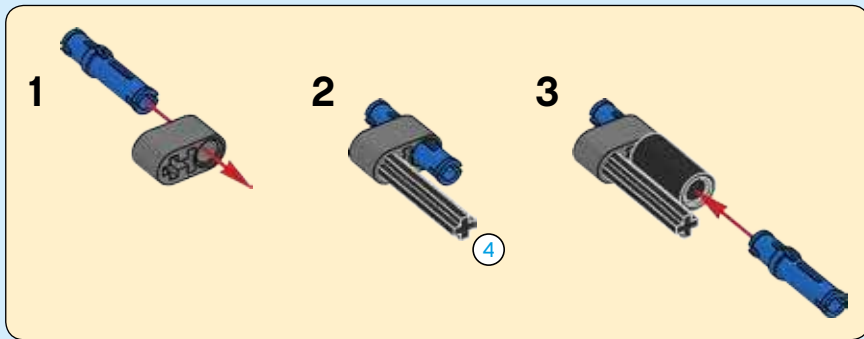
92





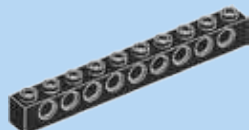


93



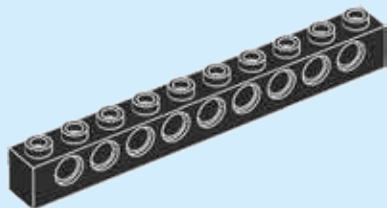


2x



1x

94

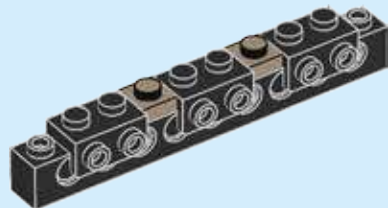


2x



3x

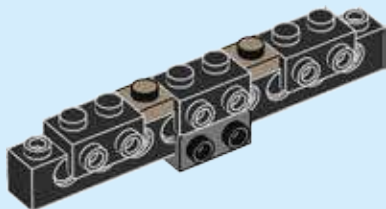
95





1x

96

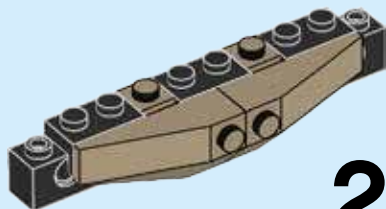


1x



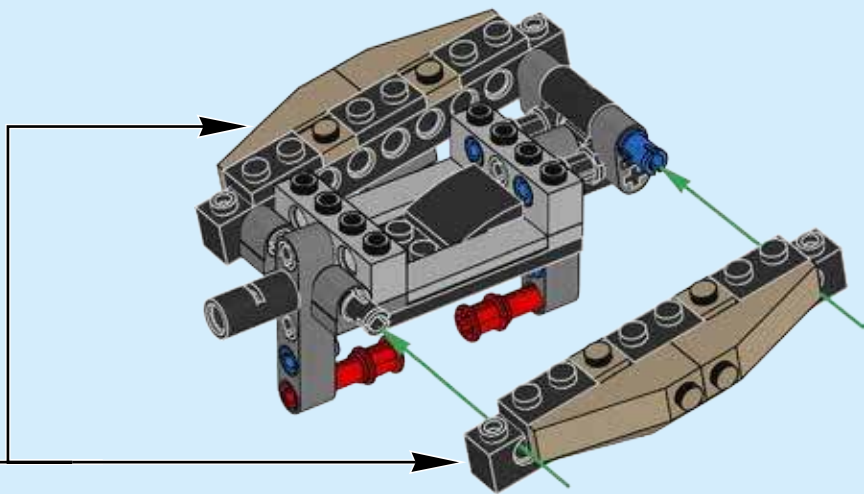
1x

97



2x

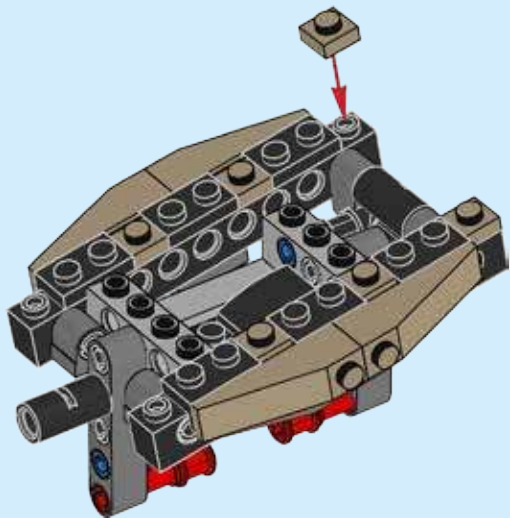
98





2x

# 99



2x

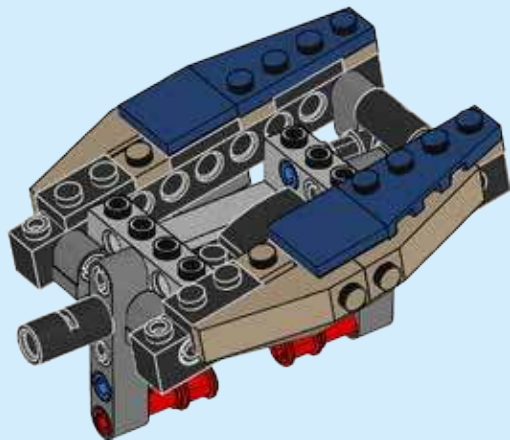


1x



1x

# 100





# 101

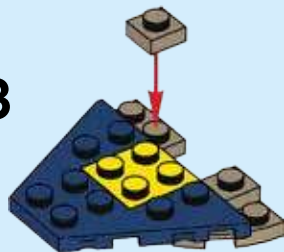
1

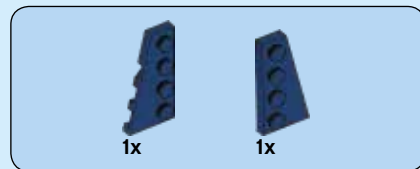


2

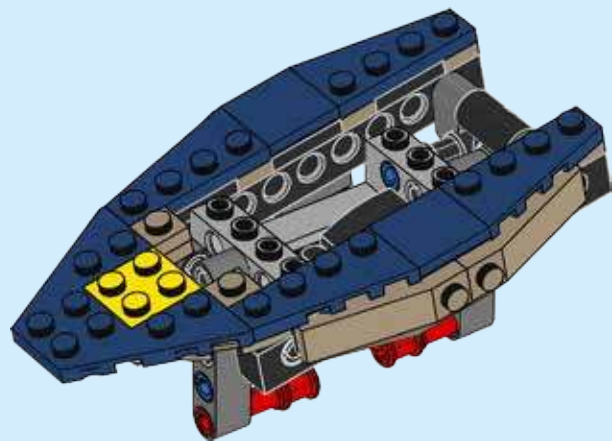
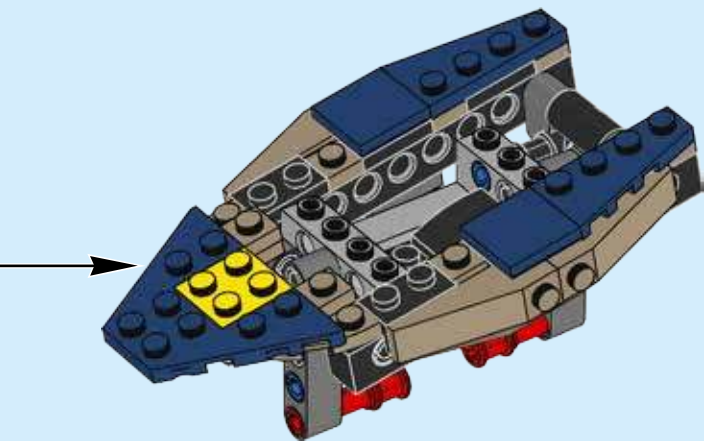


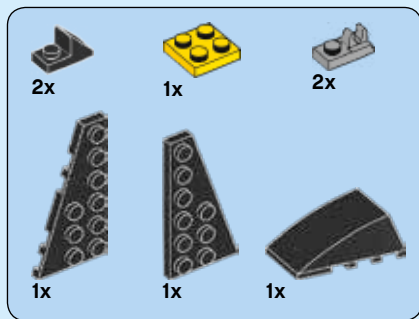
3





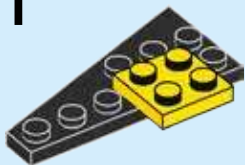
102



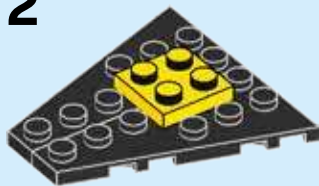


# 103

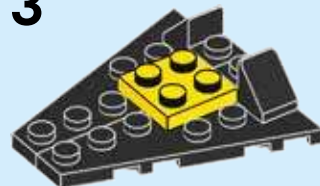
1



2

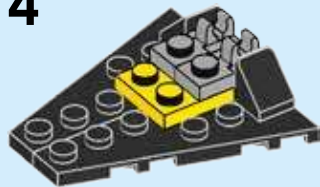


3

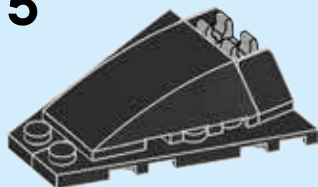




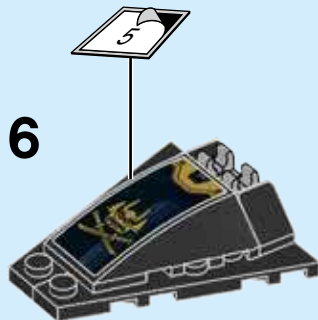
4

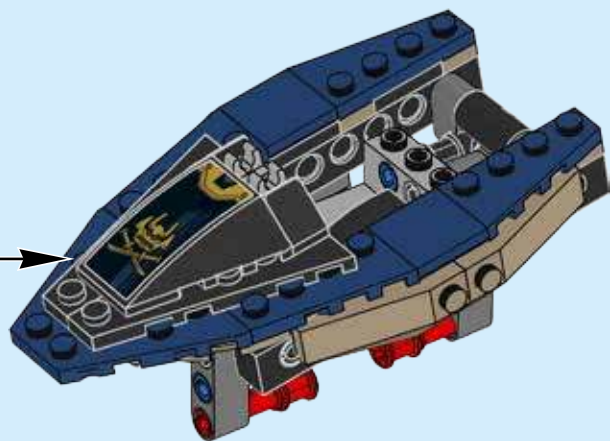


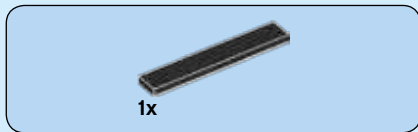
5



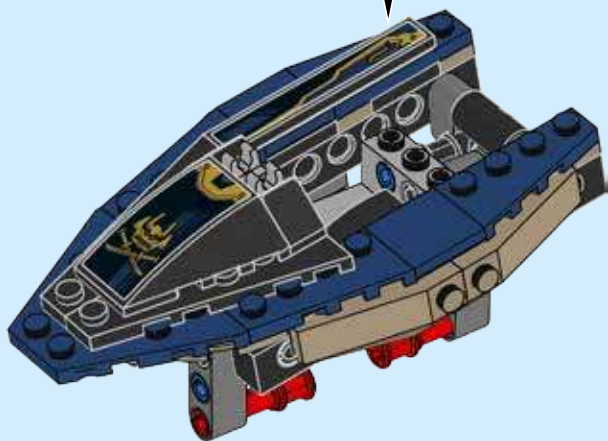
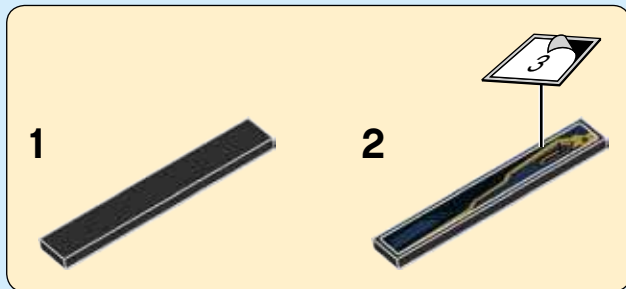
6





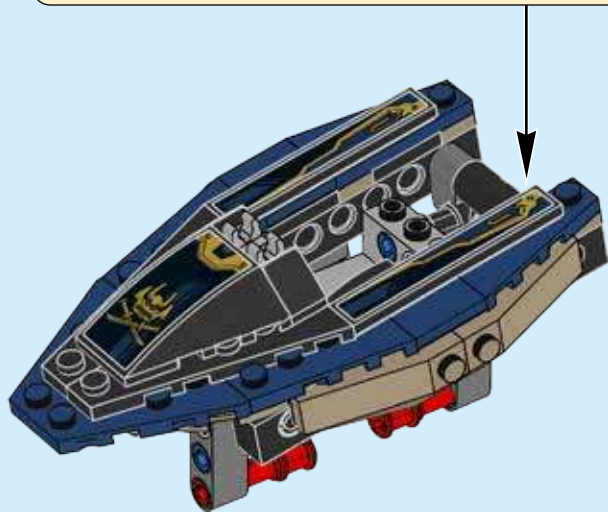
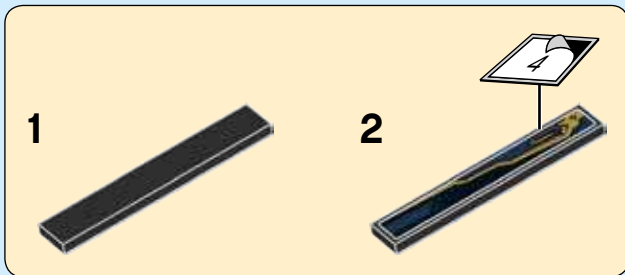


104

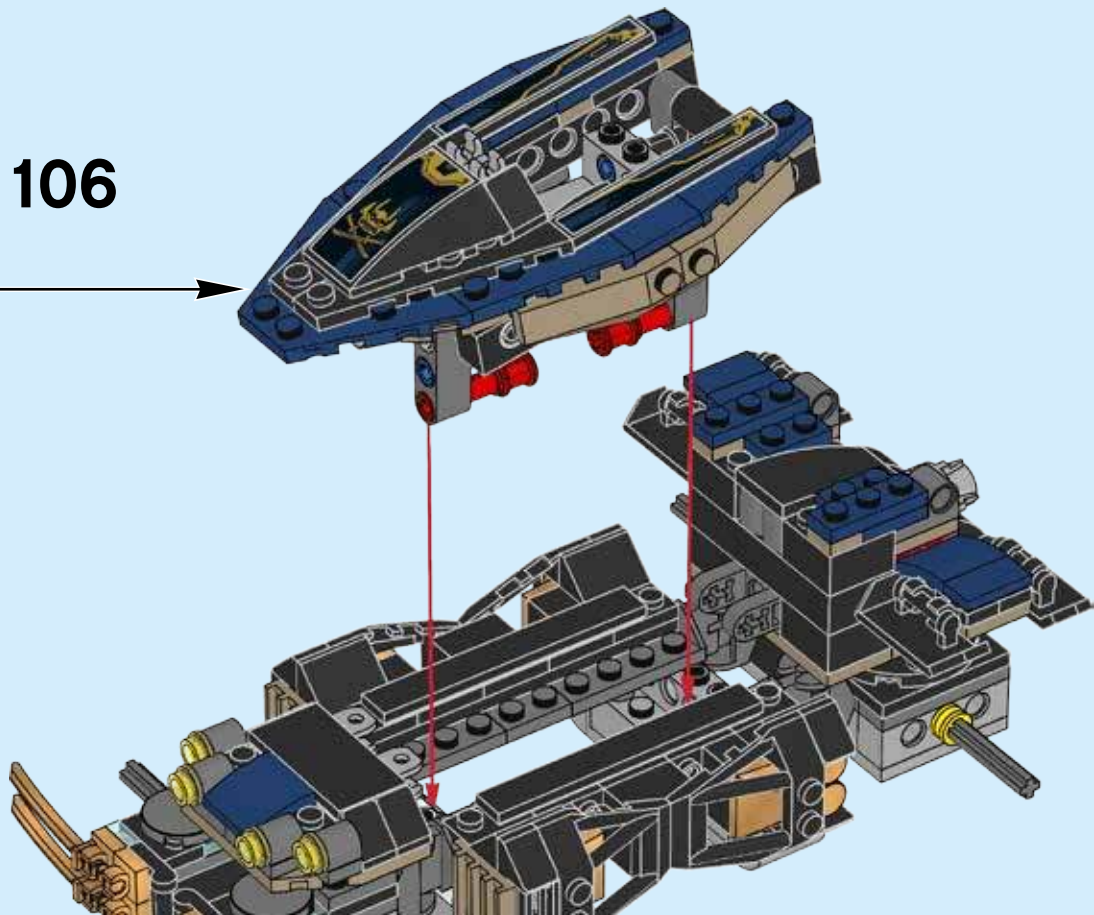




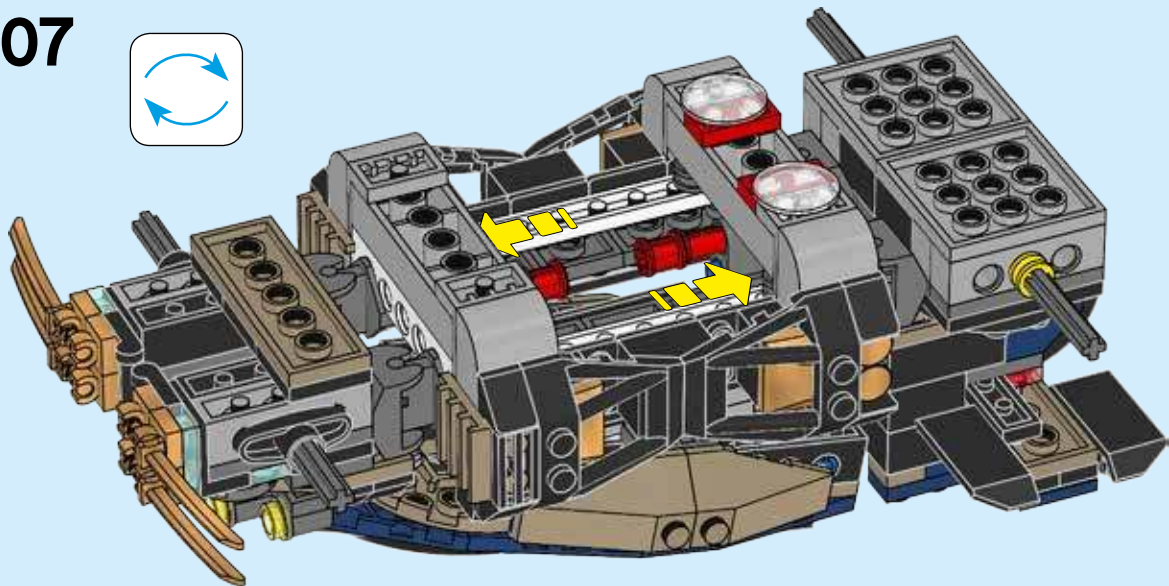
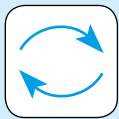
105

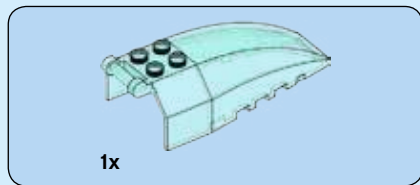


106

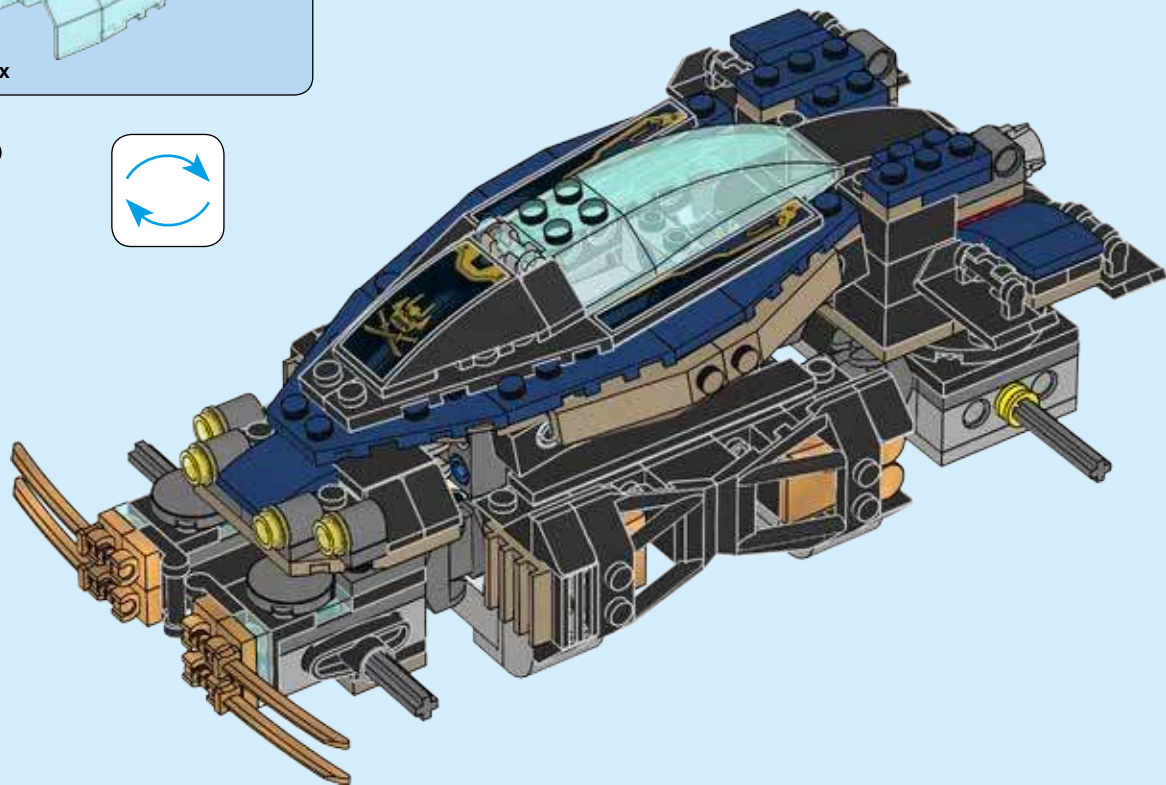
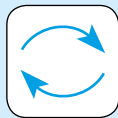


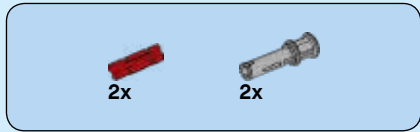
107



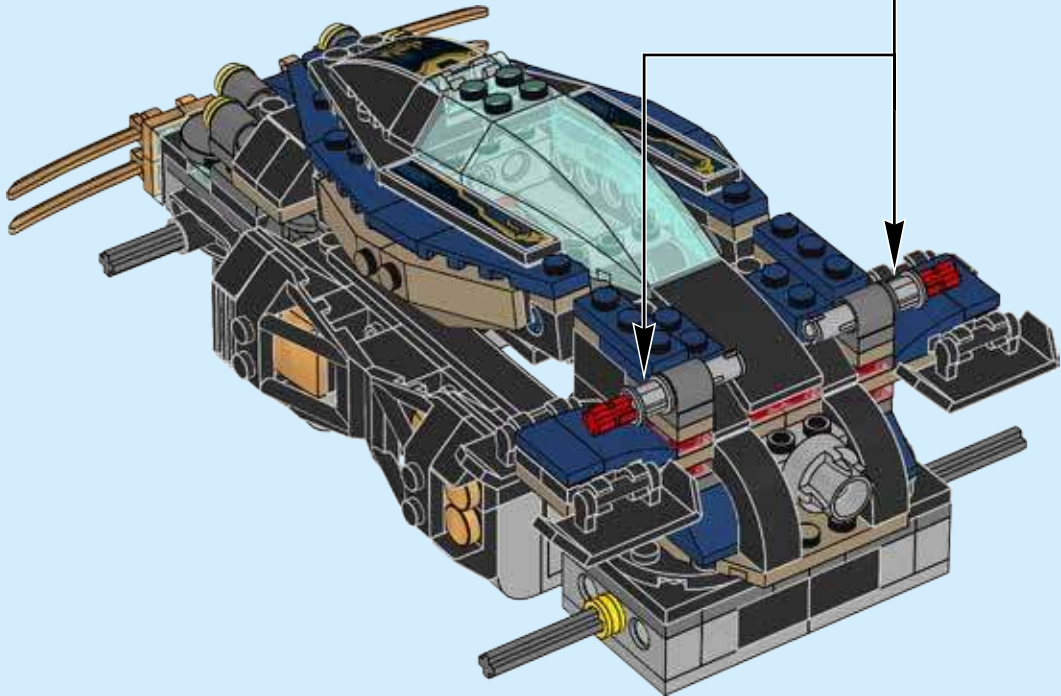
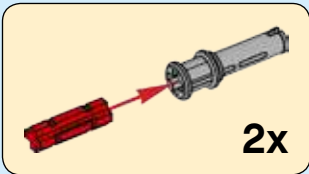


108





109





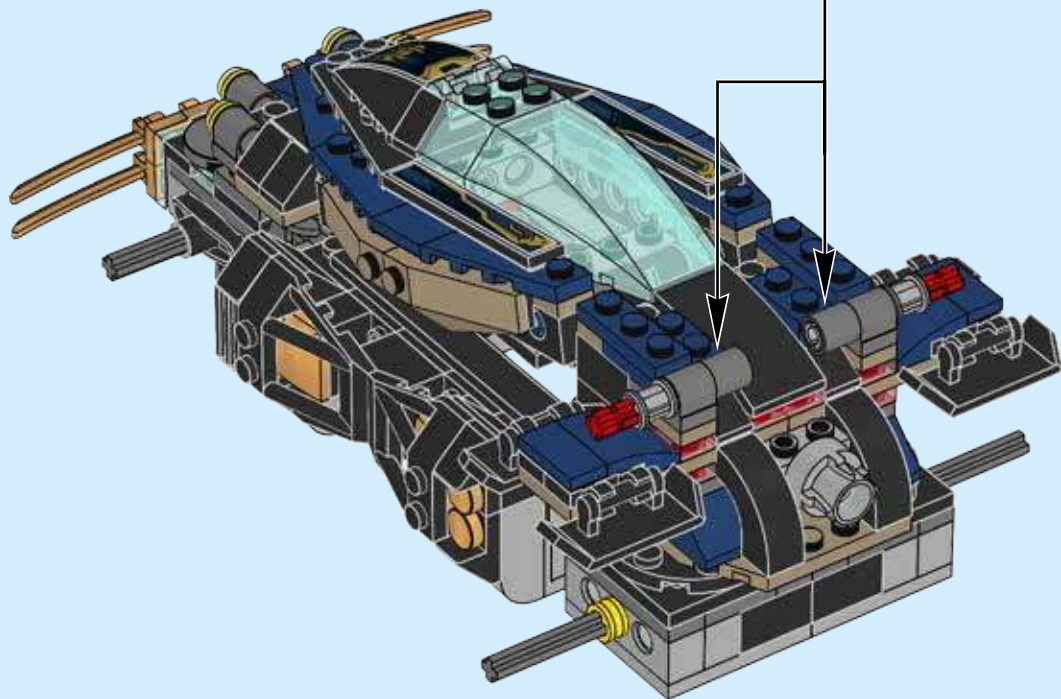


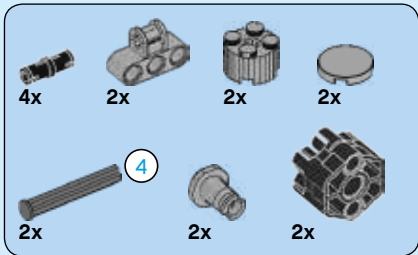
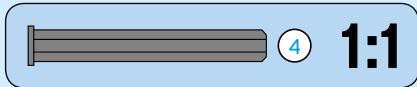
2x

110



2x

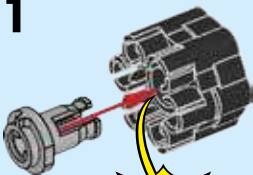




111



1



CLICK

咔嗒

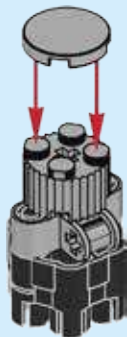
2



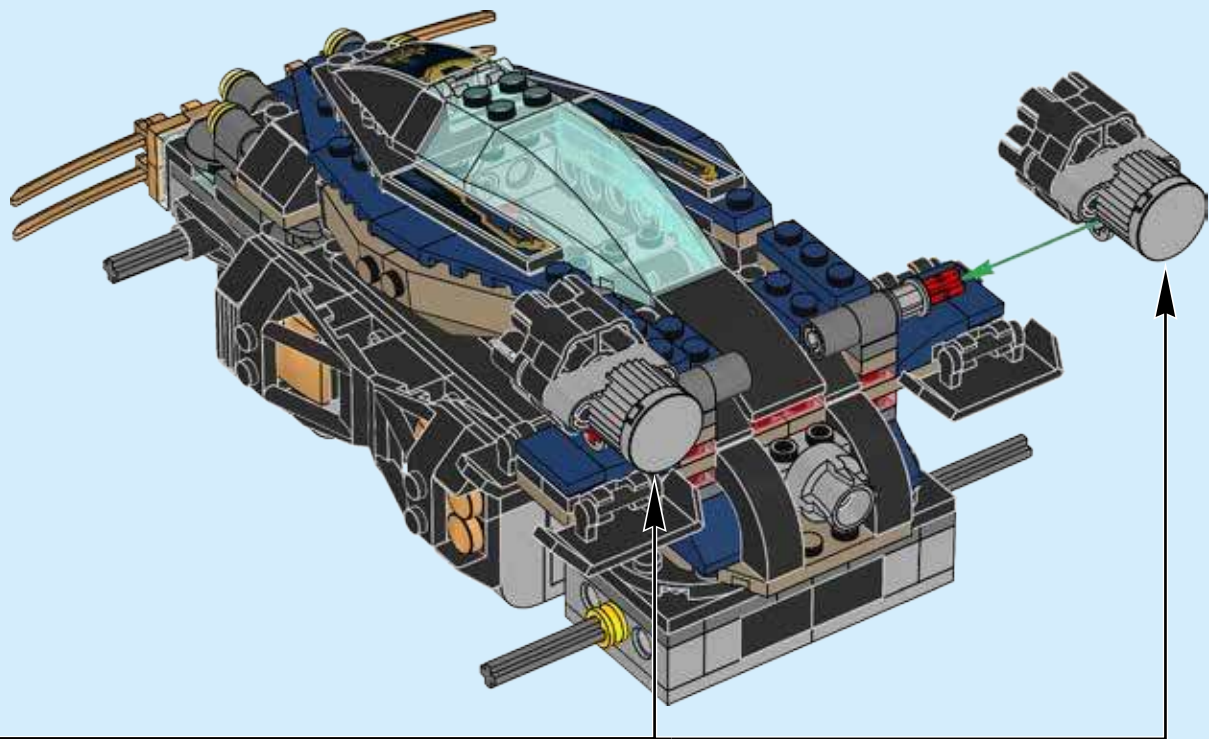
3

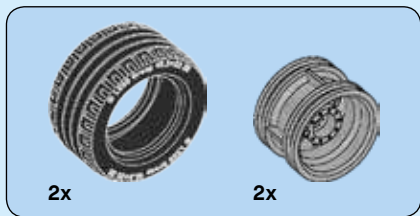


4

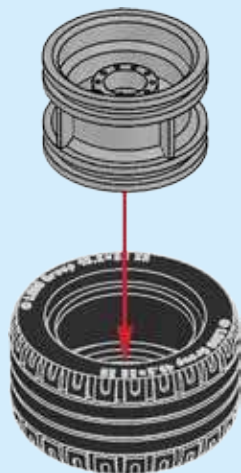


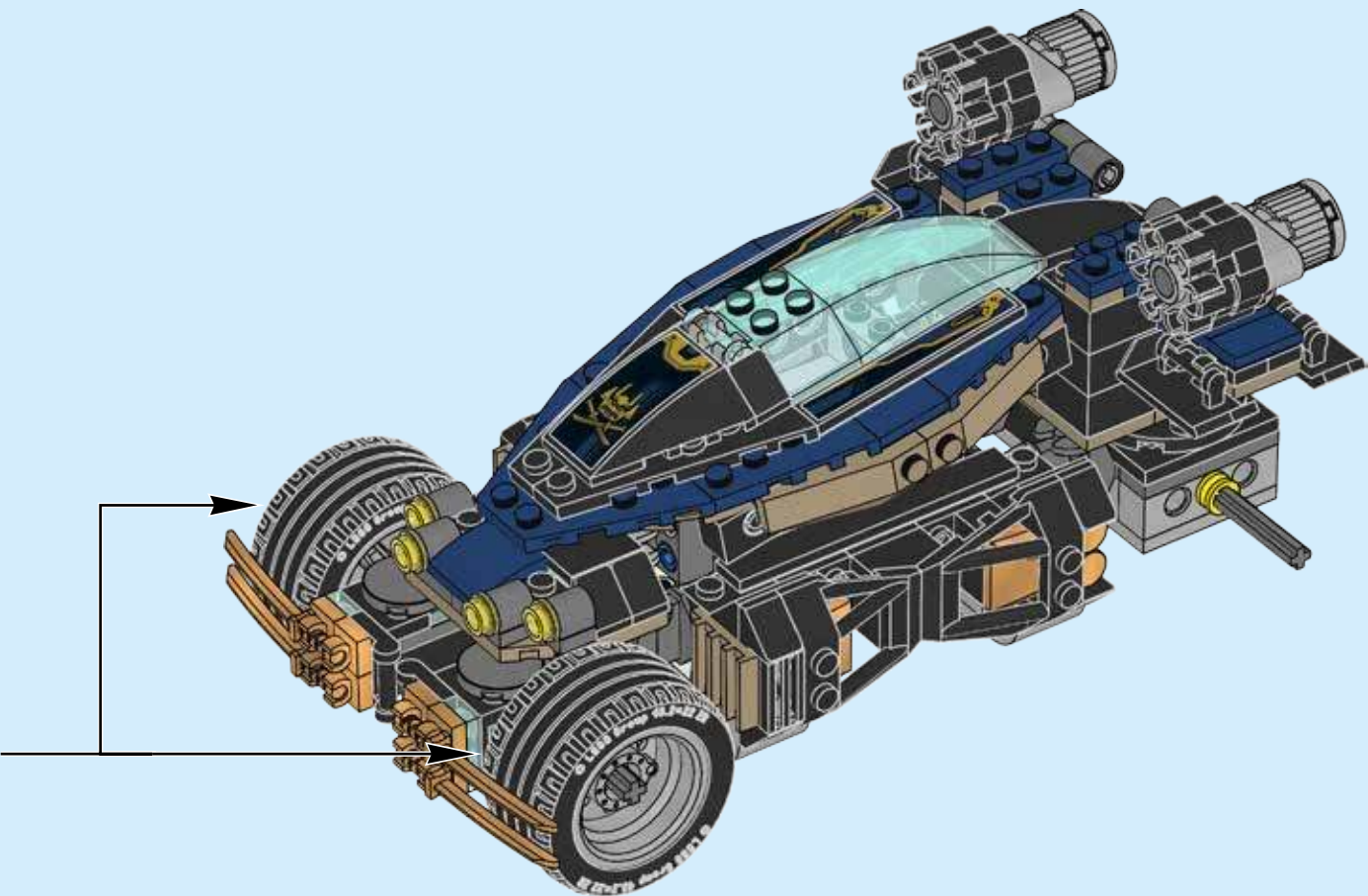
2x





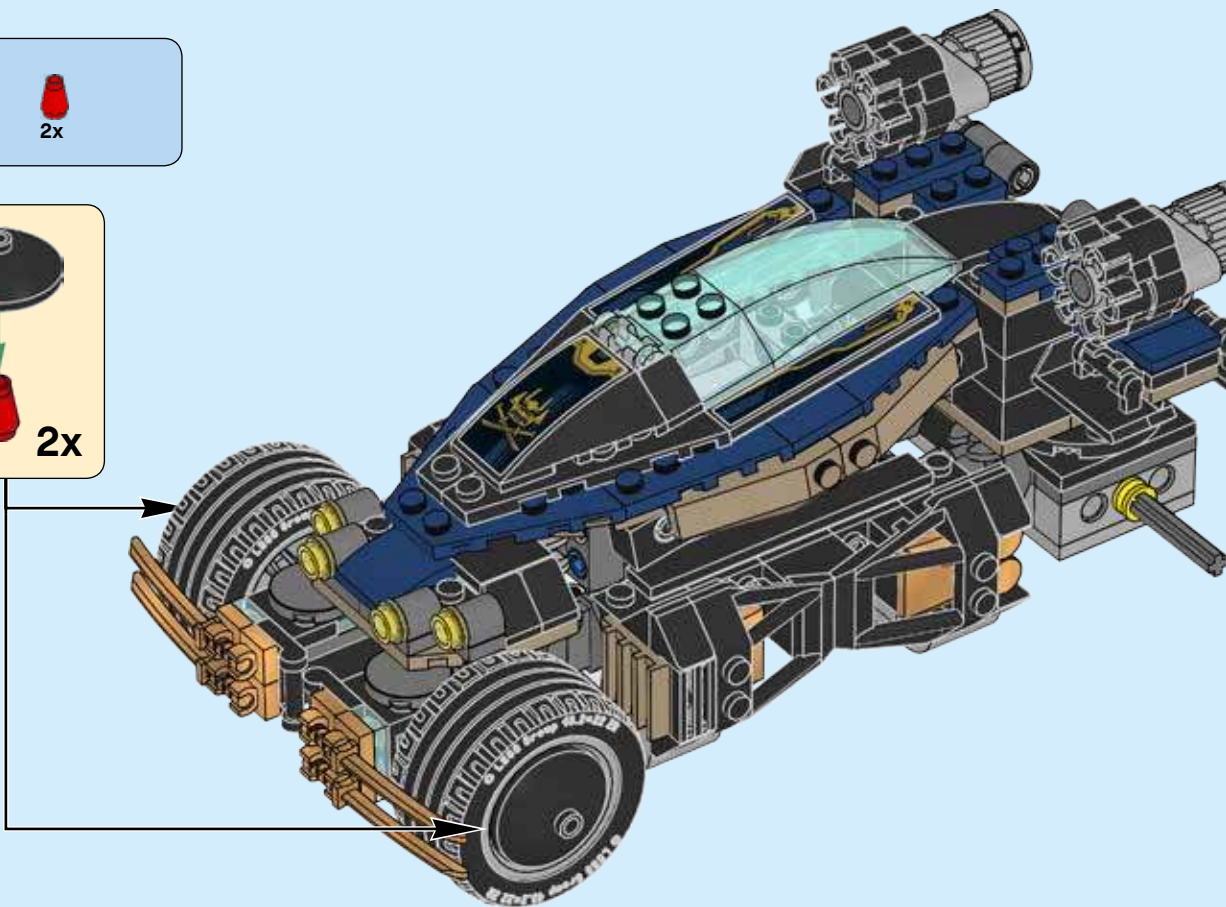
112

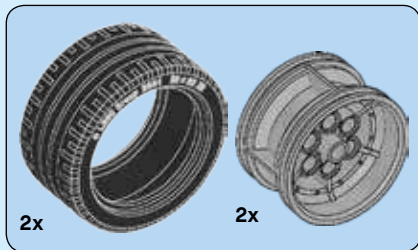




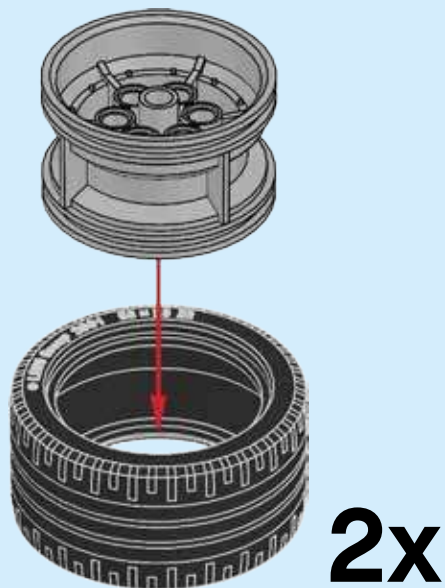


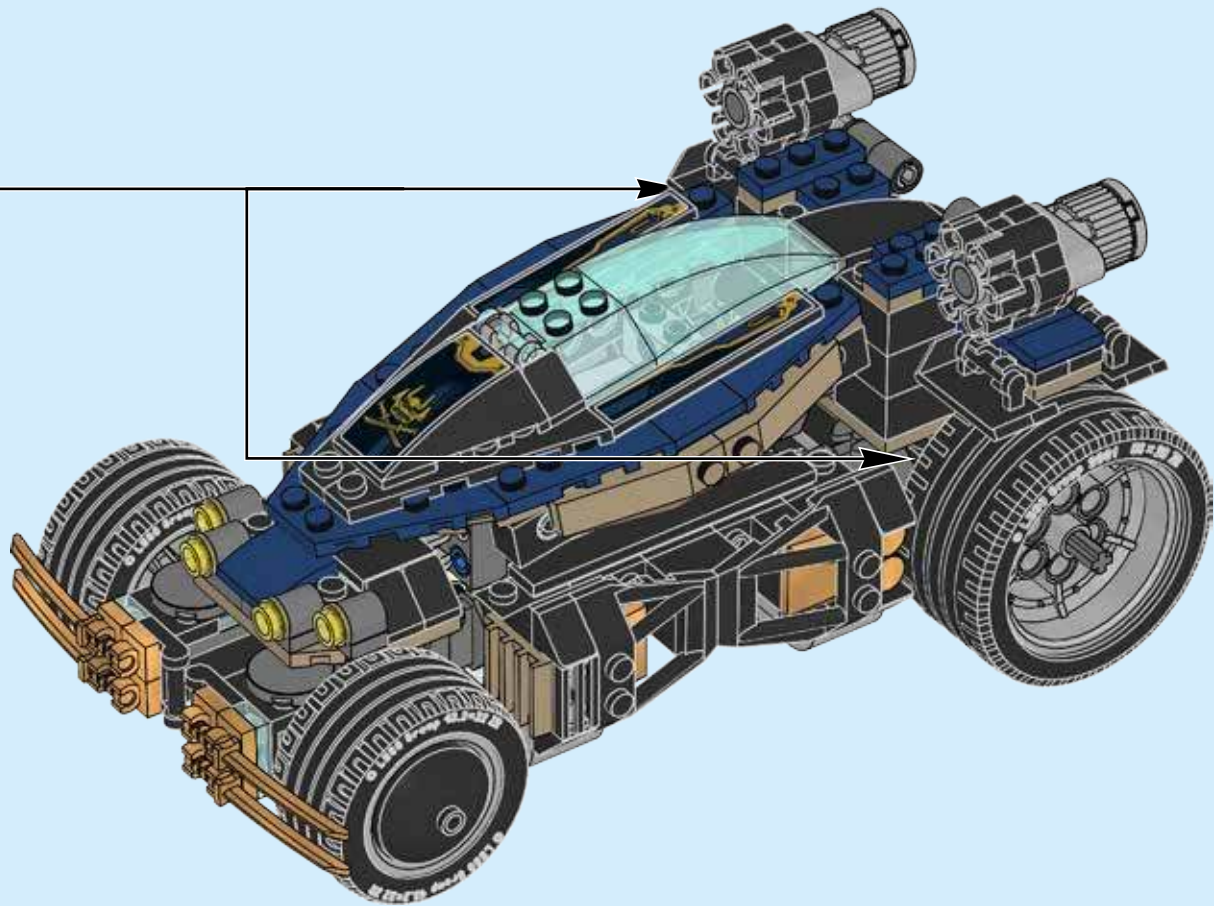
113





114



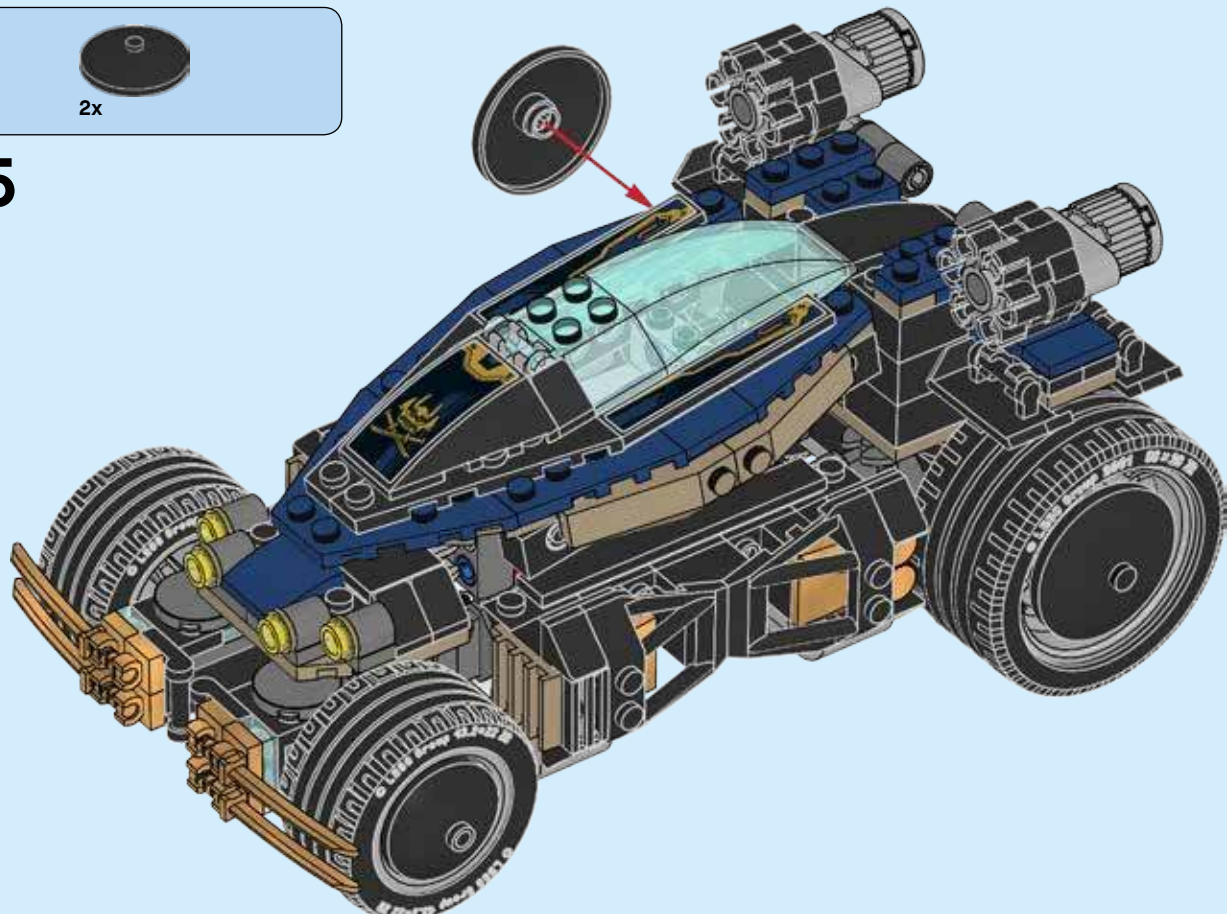






2x

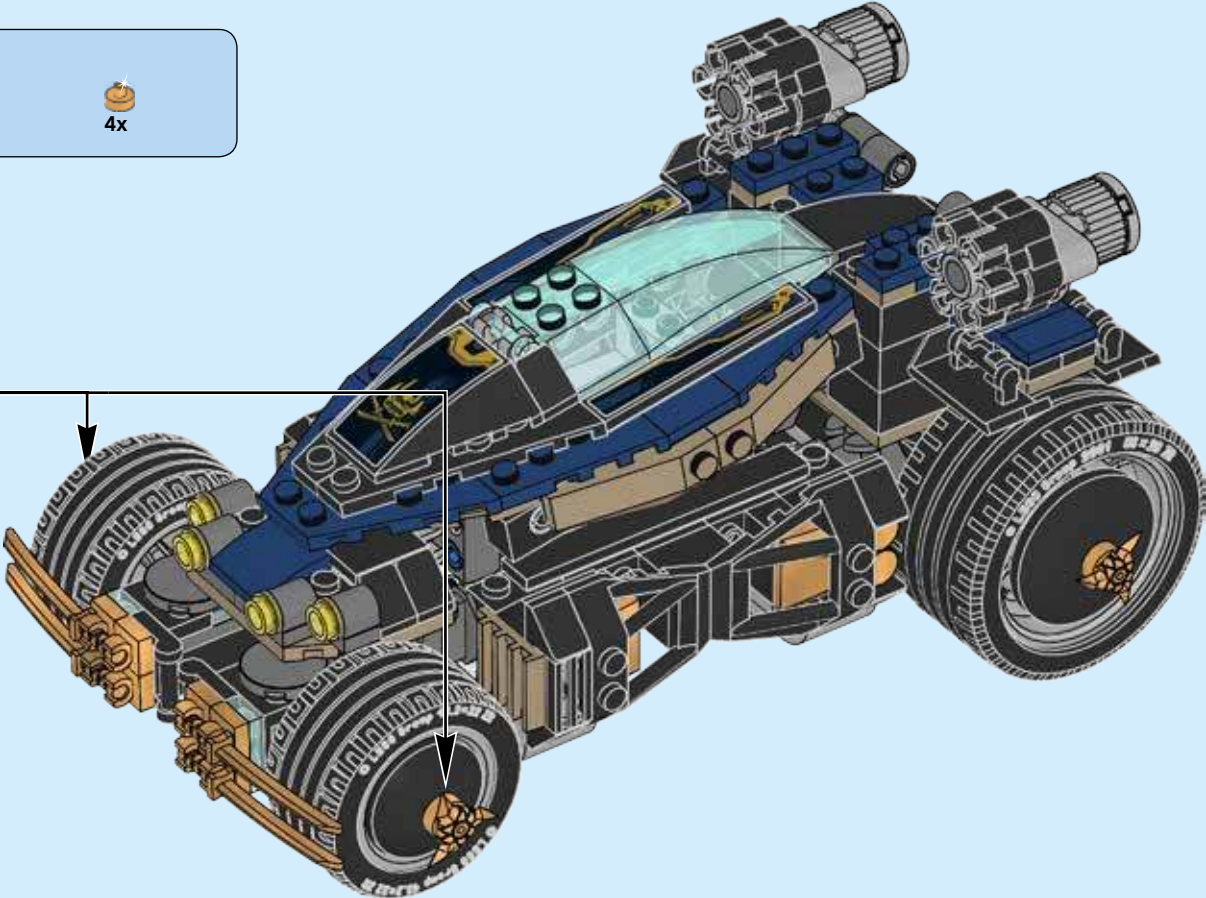
115



4x  4x 

# 116

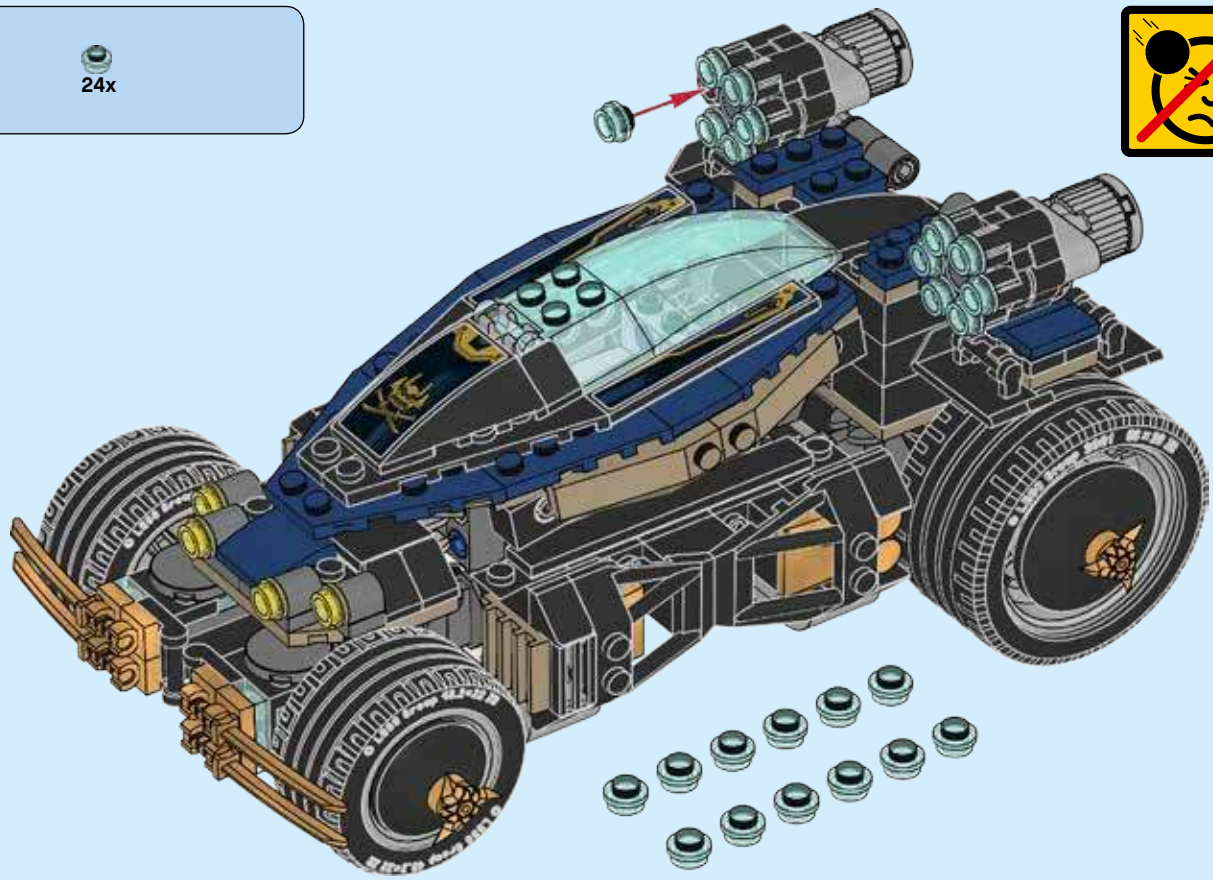
  4x

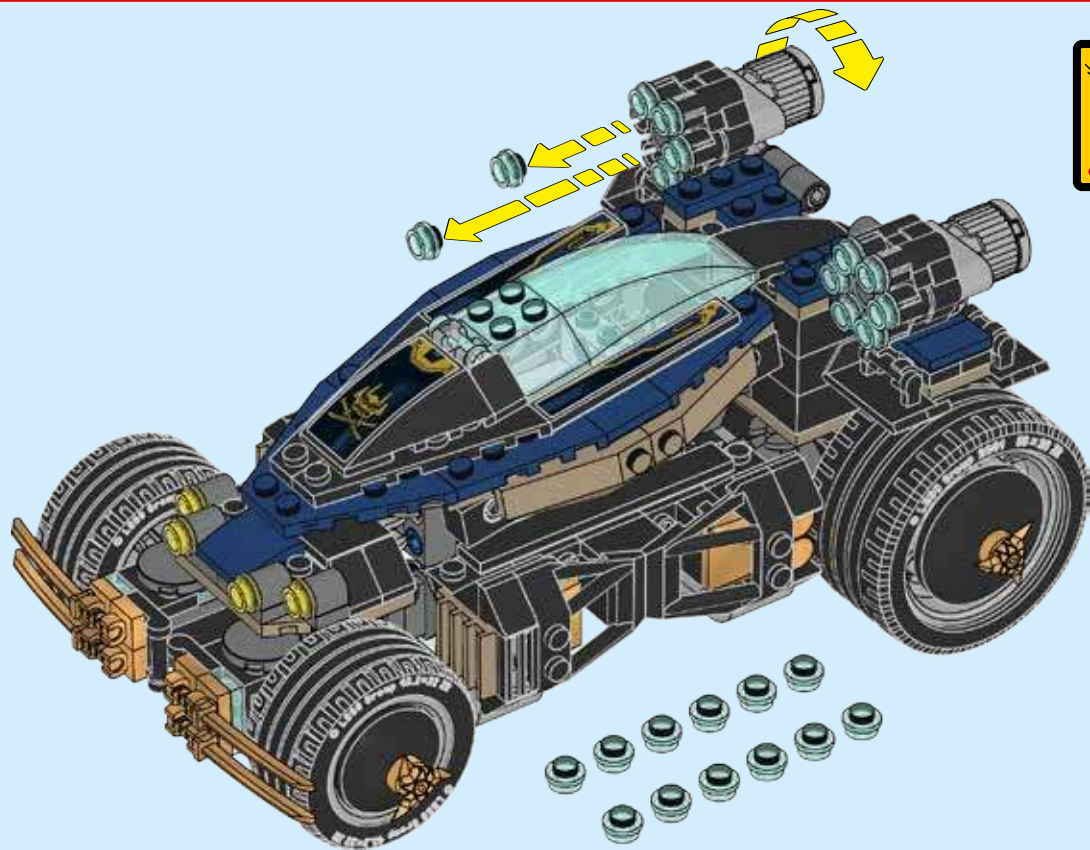


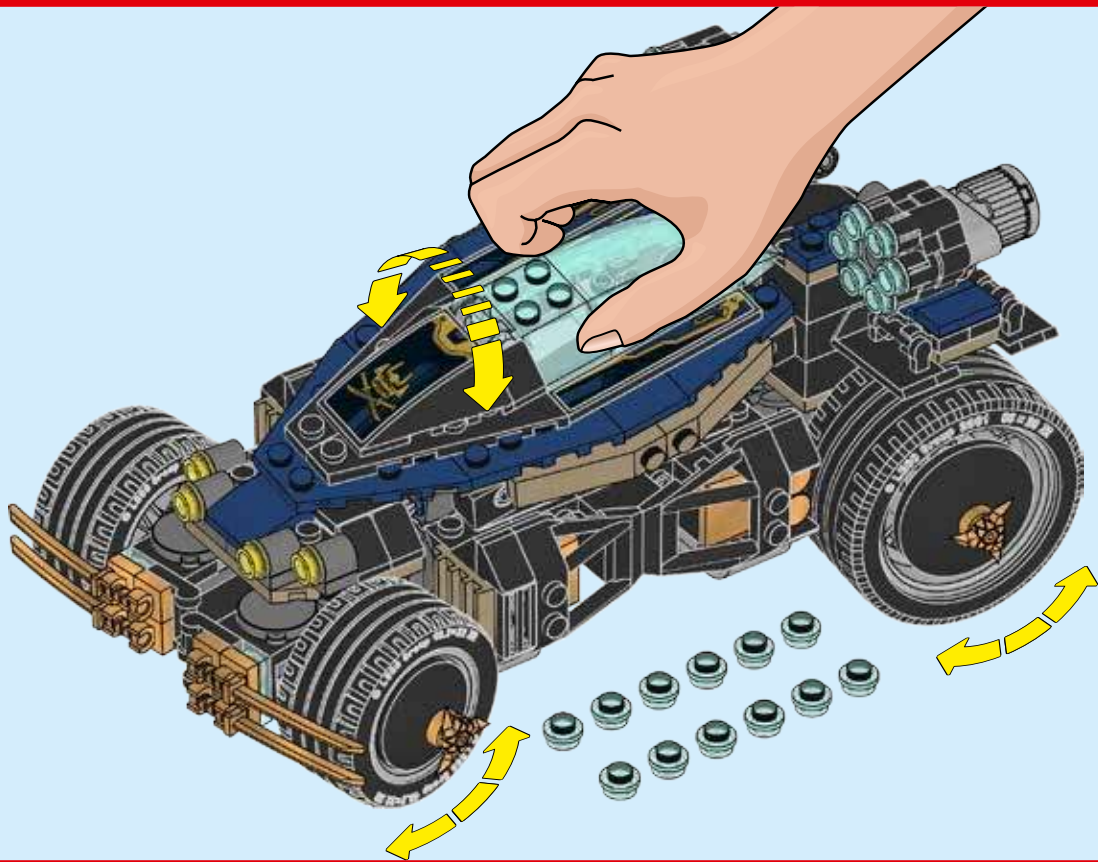


24x

117









LEGO

# NINJAGO

Masters of Spinjitzu





# NINJAGO

Masters of Spinjitzu







# NINJAGO

Masters of Spinjitzu



[LEGO.COM/NINJAGO](http://LEGO.COM/NINJAGO)



Download on the  
App Store



Apple and the Apple logo are trademarks of Apple Inc., registered in the U.S. and other countries. App Store is a service mark of Apple Inc.

Google Play is a trademark of Google Inc.

Ask parents' permission first./Bitte frage erst deine Eltern um Erlaubnis./Demande d'abord l'autorisation d'un parent./Pide antes permiso a tus padres./Pede primeiro permissão aos teus pais./Először kérj engedélyt a szüleidtől! /先请求家长的许可。



All your LEGO® fun in one app



Minifigure yourself



Create



Share



LEGO, the LEGO logo, the Minifigure, the Brick and Knob configurations and the LIFE logo are trademarks of the LEGO Group. ©2017 The LEGO Group.

Check availability of LEGO LIFE in your country now on [LEGO.com/life](http://LEGO.com/life)  
Ask parents' permission first.

Consulta si LEGO LIFE está disponible en tu país en [LEGO.com/life](http://LEGO.com/life)  
Pide antes permiso a tus padres.

Auf [LEGO.com/life](http://LEGO.com/life) erfährst du jetzt, ob LEGO LIFE in deinem Land verfügbar ist  
Bitte frage erst deine Eltern um Erlaubnis.

Verifica agora a disponibilidade de LEGO LIFE no teu país em [LEGO.com/life](http://LEGO.com/life)  
Pede primeiro permissão aos teus pais.

Vérifie la disponibilité de LEGO LIFE dans ton pays sur [LEGO.com/life](http://LEGO.com/life)  
Demande d'abord l'autorisation d'un parent.

Ellenőrizd a LEGO LIFE elérhetőségét a lakóhelyeden, most a [LEGO.com/life](http://LEGO.com/life) honlapon!  
Először kérj engedélyt a szüleidtől!

访问 [LEGO.com/life](http://LEGO.com/life) 网站, 查看乐高生活系列是否已在你所在国家上线。先请求家长的许可。

Apple and the Apple logo are trademarks of Apple Inc., registered in the U.S. and other countries.  
App Store is a service mark of Apple Inc. Google Play is a trademark of Google Inc.

**LEGO** NINJAGO<sup>®</sup>  
The Ride



**LEGO**  
**LEGOLAND**  
RESORTS

BILLUND • DEUTSCHLAND  
WINDSOR • MALAYSIA

**EXCLUSIVELY • EXKLUSIV • EXCLUSIVEMENT • EN EXCLUSIVA  
EXCLUSIVAMENTE • KIZÁRÓLAGOSAN • 独家所有 • EKSKLUSIVT • ここだけの特典 • ÖZEL**

**LEGO**  
**LEGOLAND**  
DISCOVERY CENTRE

Manchester • Berlin • Oberhausen  
Istanbul • Osaka • Shanghai • Tokyo



LEGO, the LEGO logo, the Brick and Knob configurations, NINJAGO, the Minifigure and LEGOLAND are trademarks of the LEGO Group.  
©2017 The LEGO Group. LEGOLAND is part of Merlin Entertainments plc.

**LEGOLAND.COM**



# NEXO KNIGHTS



[LEGO.COM/NEXOKNIGHTS](http://LEGO.COM/NEXOKNIGHTS)

[LEGO.COM/DEVICECHECK](http://LEGO.COM/DEVICECHECK)





2x  
4143005



2x  
4206482



2x  
4514553



2x  
4239601



1x  
4651443



2x  
302224



1x  
4114348



2x  
4278412



2x  
3000841



4x  
4201019

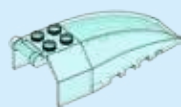
**46**



24x  
4163917



4x  
6051918



1x  
6172928



4x  
3005744



1x  
4504705



10x  
4549436



2x  
4528604



2x  
6172767



2x  
6004712



2x  
6004711



1x  
6096108



4x  
4550329



2x  
6097646



2x  
4529954



2x  
4502091



2x  
4528488



3x  
6061569



2x  
4205004



2x  
4153653



2x  
4177735



2x  
6132157



1x  
6172284



1x  
6176371



1x  
6164191



1x  
6029774



1x  
6162975



1x  
6102360



2x  
4211199



1x  
4278756



2x  
6052200



2x  
4650645



4x  
4540203



2x  
6097090



4x  
4654580



2x  
4598526



2x  
4530469



2x  
4211353



1x  
6045988



1x  
4237084



2x  
4211865



2x  
4538007



4x  
4217918



2x  
4211356



8x  
4211441



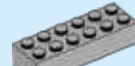
2x  
4297210



1x  
4211466



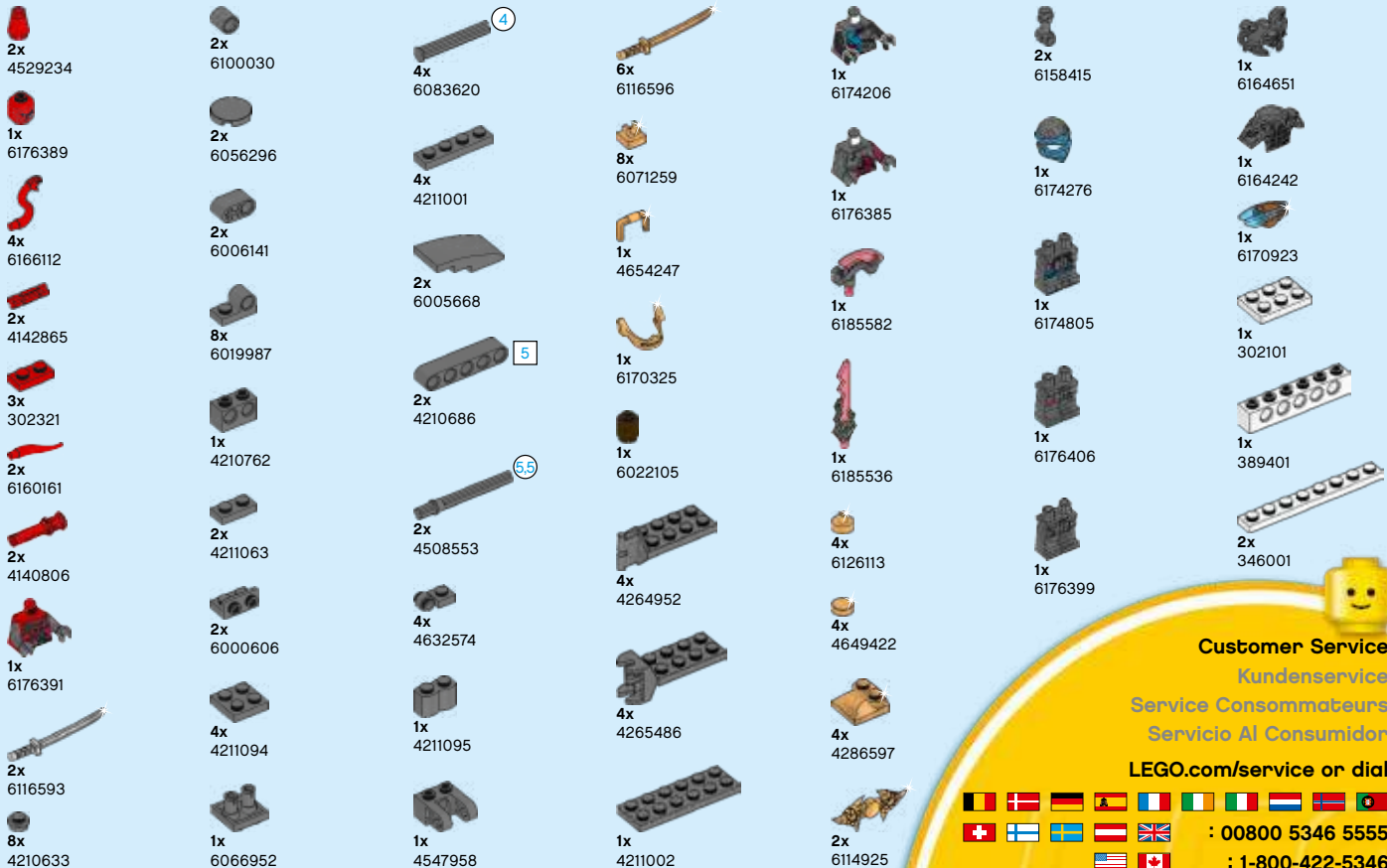
2x  
4243797



2x  
4211795



2x  
4634091



**Customer Service**

**Kundenservice**

**Service Consommateurs**

**Servicio Al Consumidor**

**LEGO.com/service or dial**



**: 00800 5346 5555**

**: 1-800-422-5346**

# WIN

GO TO [WWW.LEGO.COM/PRODUCTFEEDBACK](http://WWW.LEGO.COM/PRODUCTFEEDBACK) AND  
GIVE US YOUR SHORT **FEEDBACK** ABOUT THIS  
LEGO® SET FOR A CHANCE TO WIN  
A COOL LEGO PRIZE.

Terms & Conditions apply



## LEGO.com/productfeedback

### GEWINNE



Erzähle uns auf  
[www.LEGO.com/productfeedback](http://www.LEGO.com/productfeedback)

etwas über die Erfahrungen, die du mit  
diesem LEGO® Set gemacht hast, und  
sichere dir die Chance auf einen coolen  
LEGO Preis!

Es gelten die Teilnahmebedingungen

### GAGNE



Rends-toi sur  
[www.LEGO.com/productfeedback](http://www.LEGO.com/productfeedback)

et donne-nous quelques commentaires sur  
ce produit LEGO® pour avoir une chance  
de gagner un prix LEGO !

Voir Conditions Générales

### GANAN



Visita  
[www.LEGO.com/productfeedback](http://www.LEGO.com/productfeedback)

y envíanos tu opinión acerca de este set  
LEGO®. ¡Participarás en el sorteo de un  
premio LEGO!

Términos y Condiciones aplicables

### 获取奖品



登录  
[www.LEGO.com/productfeedback](http://www.LEGO.com/productfeedback)

给出关于此乐高®套装的简短反馈，  
就有机会获得炫酷乐高奖品

《条款及条件》适用

LEGO, the LEGO logo and NINJAGO are trademarks of the LEGO Group. ©2017 The LEGO Group.

6196180