

Handy 2-in-1

Instructions for use



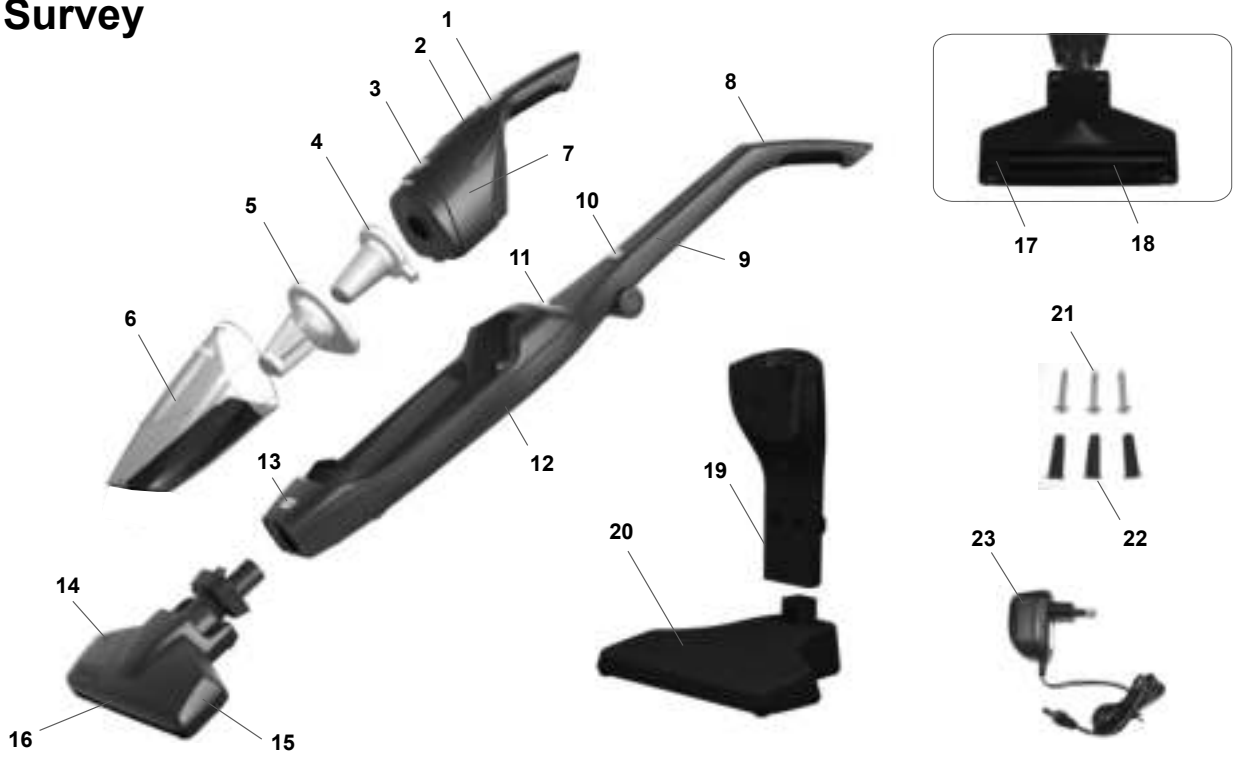
81942401 m (08.2016)
EN-DE-FR-ES-PT-IT-NL-SV-NO-DA-FI-EL-TR-CS-SL-SK-HU-RO-BG-PL-JA

 **Nilfisk**



Ⓔ	Operating Instructions	3
Ⓓ	Betriebsanleitung	10
Ⓕ	Instructions d'utilisation	18
Ⓔ	Instrucciones de manejo.....	26
Ⓕ	Instruções de operação	33
Ⓘ	Istruzioni sull'uso	41
Ⓖ	Gebruiksaanwijzing	48
Ⓖ	Instruktionsbok	55
Ⓓ	Instruksjonsbok.....	62
Ⓕ	Instruktionsbog	69
Ⓔ	Käyttöohje.....	76
Ⓙ	Οδηγίες χρήσης.....	83
Ⓒ	Kullanım Kılavuzu.....	91
Ⓔ	Návod k obsluze	99
Ⓕ	Navodila za uporabo.....	107
Ⓙ	Návod na použitie	114
Ⓖ	Használati útmutató.....	121
Ⓕ	Instrucțiuni de utilizare.....	128
Ⓙ	Инструкции за употреба	135
	Instrukcja użycia	143
	取扱説明書.....	150
	WEEE	157-160

Survey



Prepare your vacuum cleaner

3.2.1

Click



3.2.2

Click

3.2.3

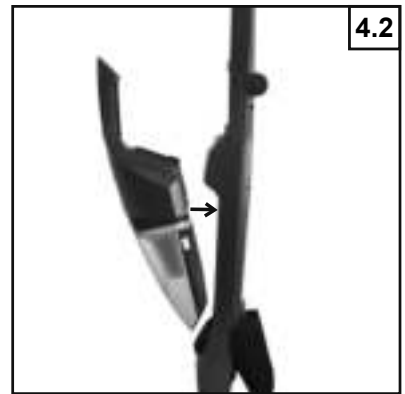
3.2.4

3.2.5

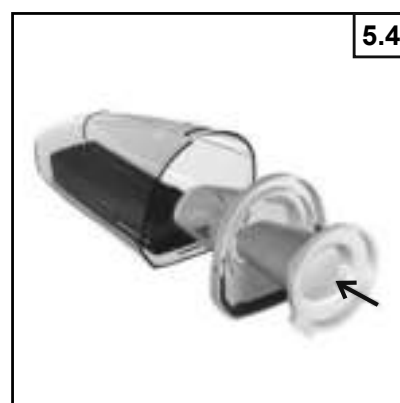
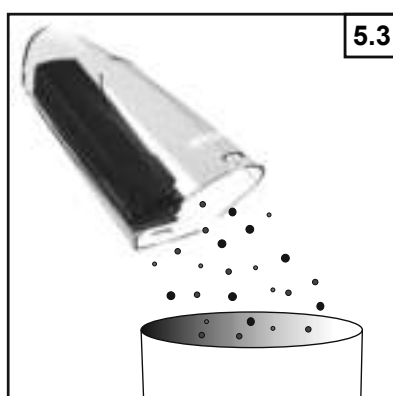
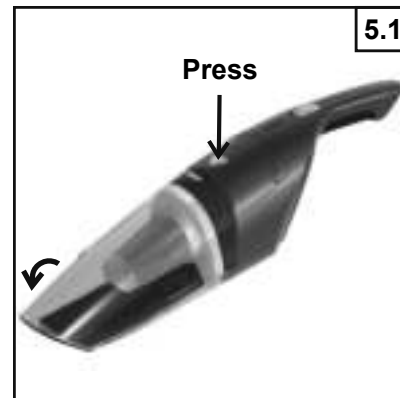
Using your vacuum cleaner

3.3

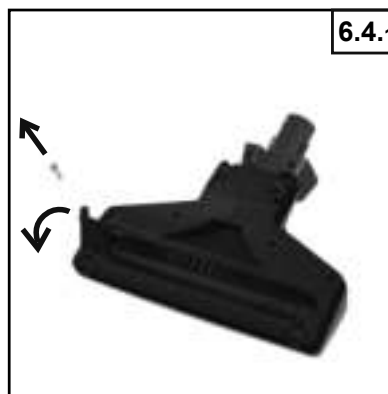
Charging the battery



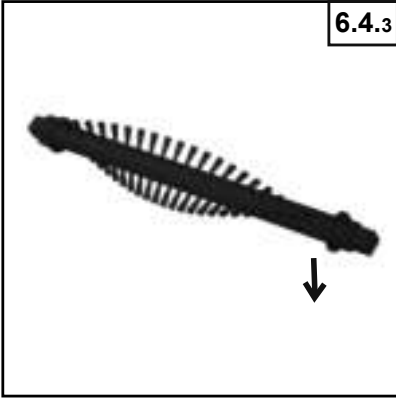
Waste disposal



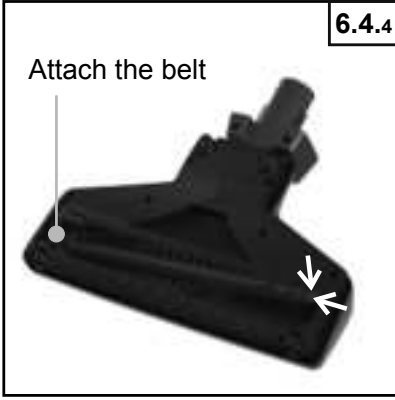
Service and maintenance



6.4.3



6.4.4



6.4.4

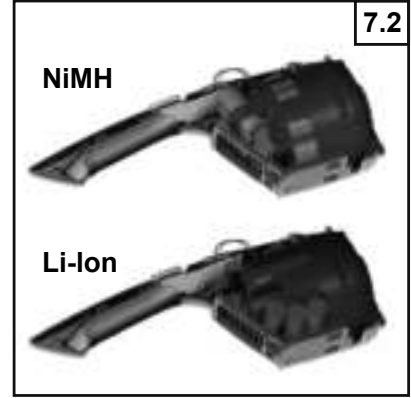


Product disposal

7.1



7.2



7.3

NiMH



Li-Ion



Index

1. Overview	3
2. Safety instructions	3
3. Instruction for use	5
4. Charging the battery	5
5. Waste disposal	6
6. Service and maintenance	6
7. Product disposal	7
8. Guarantee and service	7
9. Technical Specifications	8
10. CE Declaration of Conformity	9
11. WEEE	156

1. Survey

- 1 On/Off switch (hand unit)
- 2 Charging indication light
- 3 Dust container release button
- 4 Secondary filter
- 5 Primary filter
- 6 Dust container
- 7 Vacuum unit
- 8 On/Off switch (stick unit)
- 9 Folding handle
- 10 Handle lock button
- 11 Hand unit release button
- 12 Stick body
- 13 Floor brush lock button
- 14 Floor brush indicator
- 15 Floor brush
- 16 Light (only Li-Ion models)
- 17 Rotating brush cover
- 18 Rotating brush
- 19 Charging stand
- 20 Charging base
- 21 Wall-mount screws
- 22 Wall-mount anchors
- 23 Adaptor

2. Safety instructions



- This appliance can be used by children aged from 8 years and above and persons with reduced physical, sensory or mental capabilities or lack of experience and knowledge if they have been given supervision or

instruction concerning use of the appliance in a safe way and understand the hazards involved.

- Children shall be supervised to make sure that they do not play with the appliance.
- Cleaning and user maintenance shall not be made by children without supervision.
- This product is designed for vacuuming small areas of dry material only; Do not use for vacuuming water or other liquids.
- Sparks inside the motor can ignite flammable vapours or dust. Do not vacuum or use this product near flammable or combustible liquids (e.g., gasoline or other fuels, lighter fluid, cleaners, oil-based paints), gases (e.g., natural gas, hydrogen), or explosive dust (e.g., coal dust, magnesium dust, grain dust, gunpowder). Do not vacuum anything that is smoking or burning (e.g., cigarettes, matches, hot ashes). Never vacuum toxic materials as the vapours or dust may cause a health hazard.
- Close attention is neces-

EN

DE

FR

ES

PT

IT

NL

SV

NO

DA

FI

EL

TR

CS

SL

SK

HU

RO

BG

PL

JA

EN

sary when used by or near children or pets. Never use this product on pets.

- Only use original AC adapter.
- The appliance must only be supplied at SELV (Safety Extra Low Voltage).
- Never use a damaged vacuum, AC adapter, or charging base.
- Do not mutilate or incinerate the battery packs, as they will explode at high temperatures.
- Do not plug/unplug the AC adapter into/from the electrical outlet with a wet hand. Dry the product completely before placing it onto the charging base.
- Do not place or drop the product into water or other liquids. If the product falls into water or other liquid, do not touch or reach into the water.
- Do not charge the product if the power cord is cut, damaged, or if the wires are exposed.
- Keep the adapter cord and the product away from heated surfaces.
- To disconnect the AC adapter from an electric outlet, pull directly on the adapter base; do not pull

on the cord.

- Do not put any stress on the adapter cord where it connects to the product, as the cord could fray and break.
- If using an extension cord with this product, the marked electrical rating of the cord set or extension cord must be at least as great as the electrical rating of the product.
- Do not operate this product if it has a damaged adapter cord or plug, malfunctions, is dropped or damaged, is left outdoors, or is dropped in water. All repairs must be carried out by an authorized service center.
- Do not use this product outdoors. For optimal operation, keep the product in a location that does not exceed 40°C (104°F).
- Do not operate the product while it is charging.
- Keep the charging base where it will not be subjected to heat, flames, or liquids.
- Never insert objects into any of the openings in the product. Do not use the product if any of the openings are blocked.
- Do not use the product to

DE

FR

ES

PT

IT

NL

SV

NO

DA

FI

EL

TR

CS

SL

SK

HU

RO

BG

PL

JA

vacuum metal objects such as coins, screws, nails, tacks, etc.

- Make sure to check that the wheels and the brush on the nozzle are clean in order to avoid scratching of sensitive floors.
- Empty the product after each use. Keep it free of dust, lint, hair, or anything that reduces airflow.
- Keep hair, loose clothing, and body parts away from openings or moving parts, especially the part of the product where there is suction.
- Never place the vacuum nozzle near your face, especially eyes and ears, during operation.
- Do not use the product without the filters and the dust container in place.
- Take care when using the product on stairs in order to prevent falls.
- The battery charging terminals on the vacuum cleaner and the charging base must be kept clean and free of debris.
- Only use the charging base and AC adapter provided with the product. Do not use any parts not provided or recommended by Nilfisk.

3. Instructions for Use

3.1 Start and Stop

3.1.1 Start

Switch ON the unit by switching the On/Off button downwards. **Note:** Li-Ion models have two speed levels. Middle position = low speed, bottom position = high speed.

Please fully charge the battery before using the product for the first time.

- NiMH models: The battery is fully charged after 16 hours. Prolonged charging can reduce the life time of the battery and is not optimal for the environment.
- Please switch OFF the product when the battery is empty. The battery will be damaged if the product is stored in "ON" position.

3.1.2 Stop

Switch OFF the unit by switching the On/Off button upwards.

3.2 Prepare your Vacuum Cleaner

Make sure the switches are in "OFF" Position.

1. Straighten up the foldable handle to 'Click'.
2. Connect the floor brush to 'Click'.
3. Assemble the charging base.
4. Insert the vacuum unit in stick body.
5. Place the Nilfisk Handy 2-in-1 in the charging stand for first charging. (Refer to the charging section)

3.3 Using your vacuum cleaner

During short pauses in vacuuming, the vacuum cleaner can be left standing by leaning it slightly forward until it rests on the floor brush.

Caution ! Always switch off the vacuum cleaner when left standing because the brush can damage the floor or the carpet.

3.4 Indication light (Li-Ion models)

Battery full	Blue light on
Battery below 20%	Blue light flashing
Battery low	Red light flashing
Brush motor jammed	Red light flashing 10 seconds (*)
(*) Please refer to page 6 to clean Power Brush. If red light is still flashing, it means that the motor is jammed. Please contact service.	

EN

DE

FR

ES

PT

IT

NL

SV

NO

DA

FI

EL

TR

CS

SL

SK

HU

RO

BG

PL

JA

EN

4. Charging the Battery

Make sure to charge the battery in the following situations:

- When using the product for the first time after purchase
- When the battery is low or the suction power reaches an insufficient level
- When the product has been stored for a prolonged period (more than a month)

1. Connect the adapter to the charging stand
2. Insert the vacuum unit in the stick body.
Always switch **OFF** the stick on the On/Off button when inserting the hand-held unit in the stick body.
Avoid any substances between the contacts of single unit and stick body.
3. Place the Nilfisk Handy 2-in-1 in the charging stand.
If the Nilfisk Handy 2-in-1 is not placed properly in the battery stand, it will not be charged or it may fall over.
Avoid any unstable surfaces when charging, otherwise the battery will not be charged due to the insecure contact. Select a stable floor for the charging stand.
Be careful not to trip over the power cable when charging the battery.
4. Connect the power plug to the power outlet.
When the power plug of the battery charger is connected to the AC power outlet, the indication light will light up.

Charging	Red light on
Charge complete	Blue light on
Bad battery	Blue and red light alternately flashing (**)
(**) Please contact service	

The main body may become warm during charging. This is not an abnormal sign.

4.1 Charging time

	Hours
NiMH model	16
Li-Ion models	4

5. Waste disposal

- Try to dispose the vacuumed waste as frequently as possible. The dust attached to the filter can cause poor vacuuming performance and stress the motor.
 - Always switch OFF the power when operating for disposal.
1. Detach the dust container.

2. Pull out the filters.
3. Empty the dust container.
4. Re-install the filters in correct order and position.
5. Re-install the dust container to the vacuum unit.

Caution

Do not vacuum a lot of dust at one time and do not vacuum large objects. May cause the suction port to clog and loose the suction power.

Do not vacuum kerosene, petrol or butts of smoked cigarettes. This may cause a fire.

Dispose dust frequently in order not to damage the product.

6. Service and Maintenance

Always switch OFF the power and disconnect the power plug for the battery charger from the power outlet before starting maintenance.

6.1 Vacuum Unit, Stick Body, Charging Base
Wipe off any dirt from the product using a dry and soft rag.

In case of stubborn dirt, clean using a soft damp rag soaked in a water solution diluted with a little neutral detergent and then wipe with a dry rag.

Do not use solvents like thinner, benzene, and spray type cleaners.

6.2 Dust Container

Remove any collected dust inside the dust container first and wash using lukewarm water. Make sure that the dust container is completely dry before re-assembling.

6.3 Filter

Do not wash the filters in the washing machine. Do not dry them using a hot air blower such as a dryer or a hair dryer.

In case of stubborn dirt or loss in suction power, wash as instructed below:

1. Remove the dust first
2. Wash with water
3. Make sure that the filters are completely dry before the parts are re-assembled.

6.4 Power Brush

Carry out the maintenance if any waste threads or hair gets tangled in the brush.

DE

FR

ES

PT

IT

NL

SV

NO

DA

FI

EL

TR

CS

SL

SK

HU

RO

BG

PL

JA

Regular Maintenance

Slowly rotate the brush manually and remove any foreign objects tangled around the brush.

Maintenance when the power brush cannot be manually rotated

1. Unscrew, lift and dislodge the brush cover.
2. Lift the rotating brush and then remove the belt from the end of the rotating brush.
3. Take out the rotating brush and remove the blockage. Take out the wastes.
4. Re-install the rotating brush. Finally, check that the brush cover is securely fixed and the rotating brush rotates properly.

7. Product Disposal

When the battery packs will no longer hold a charge, the product has reached the end of its useful life.

The battery pack is not replaceable. After removing the battery pack, the product must be discarded.

Before discarding the product, the rechargeable battery pack must be removed and recycled in accordance with federal and local laws, as outlined below.

WARNING: The vacuum cleaner must be disconnected from the charging station and batteries must be run flat before removing the battery pack.

1. Use a screwdriver to unscrew the housing
2. Cut the wires in order to free the battery compartment from the unit. Cover visible metal areas with tape.
3. Take out the battery compartment with motor, Unscrew the battery bracket. Remove the battery from the unit. **WARNING:** Do not mutilate or incinerate the battery pack, as it will explode at high temperatures.

WARNING-- Risk of fire or serious injury:

Never touch both terminals of a battery pack with metal objects and/or body parts as a short circuit may occur. Do not attempt to destroy or disassemble a battery pack or remove any of its components. Batteries must be recycled or disposed properly. Keep battery packs away from children.

8. Guarantee and Service

This Nilfisk Handy 2-in-1 Rechargeable Vacuum Cleaner is covered by a two (2) years guarantee

on the machine, which covers the motor, Adaptor, switch and casing. The batteries, filters, floor brush and other accessories are covered twelve months due to manufacturing fault only and exclude wear and tear.

The guarantee includes spare parts and labour costs, and covers manufacturing and material defects that may occur during normal domestic use. Service under the guarantee will only be performed if it can be proven that the defect occurred within the product's guarantee period (a correctly completed guarantee certificate or printed/stamped cash register receipt with date and product type) and on the condition that the vacuum cleaner was bought as a new product and distributed by Nilfisk. In the event of the repair of defects, the customer must contact Nilfisk to be directed to a service agent at the customers own expense. Upon completion of any repairs necessary, the vacuum cleaner will be returned to the customer at the risk and expense of Nilfisk.

The guarantee does not cover:

- Normal wear and tear of accessories and filters.
- Defects or damage occurring as a direct or indirect result of incorrect use - such as the vacuuming of rubble, hot ashes or carpet deodorant powder.
- Abuse, loss or lack of maintenance as described in Instructions for use.
- If the machine has been used for home renovations.
- If the machine has been used for suction of water, plaster dust or sawdust.

Nor will it cover incorrect or poor configuration, i.e. setting up or connection, nor fire-damage, fire, lightning strike or unusual voltage fluctuations or any other electrical disturbances such as defective fuses or defective electrical installations on the supply grid, and defects or damage in general that Nilfisk consider to be the result of causes other than manufacturing and material defects.

The guarantee becomes void:

- If a defect is caused by the use of non-original Nilfisk parts.
- If the identity number is removed from the vacuum cleaner.
- If the vacuum cleaner has been repaired by a non-Nilfisk authorized dealer.
- If the machine is used in a commercial environment, i.e. building contractors, cleaning contractors, professional trades or any other non-domestic usage.

EN

DE

FR

ES

PT

IT

NL

SV

NO

DA

FI

EL

TR

CS

SL

SK

HU

RO

BG

PL

JA

EN

The guarantee is valid in:

Denmark, Sweden, Norway, Great Britain, Ireland, Belgium, Holland, France, Germany, Poland, Russia, Austria, Switzerland, Spain, Portugal, Australia and New Zealand, Estonia, Latvia, Lithuania, Hungary, Greece, Slovenia, Slovakia, The Czech Republic, Italy, Finland, Bulgaria, Romania and Turkey.

Addendum Australia:

Our goods come with guarantees that cannot be excluded under the Australian Consumer Law. You are entitled to a replacement or refund for a major failure and for compensation for any other reasonably foreseeable loss or damage. You are also entitled to have the goods repaired or replaced if the goods fail to be of acceptable quality and the failure does not amount to a major failure.

Nilfisk vacuum cleaners for domestic use are warranted for 2 years from the date of purchase by:

Nilfisk Pty Ltd
Unit 1/13 Bessemer Street
Blacktown NSW 2148
Phone: 1300 556 710
E-mail: warranty@nilfisk.com.au

Find your local service agent here: <http://www.nilfisk.com.au>.

The benefits under this warranty are in addition to your national law of sale.

DE

FR

ES

PT

IT

NL

SV

NO

DA

FI

EL

TR

CS

SL

SK

HU

RO

BG

PL

JA

9. Technical Specifications

		Handy 2-in-1 14.4 V			Handy 2-in-1 18 V			Handy 2-in-1 25.2 V		
		EU	UK	JP	EU	UK	JP	EU	UK	JP
Voltage	V	230	230-240	100	230	230-240	100	230	230-240	100
Main frequency	Hz	50		50/60	50		50/60	50		50/60
Battery capacity	mAh	1800			2000			2000		
Suction power, handheld	W	11			13			19		
Battery voltage	V	14.4			18			25.2		
Runtime high/low	Min.	18			20/35			20/40		
Sound pressure level, IEC 60704-2-1	dB (A)	74±2			78±2			79±2		
Dust pick up, IEC 312	%	24			37			41		
Insulation class	-	IP20								
Type of protection	-	II								
Dust bag net filling	l	0,5								
Width	mm	15								
Depth	mm	26								
Height	mm	110								
Weight, cleaner only	kg	4.1			3.8			3.9		

10. EU Declaration of Conformity

We,
 Nilfisk A/S
 Kornmarksvej 1
 DK-2605 Broendby
 DENMARK

Hereby declare that the

Product: Battery powered Vacuum Cleaner
 Description: 220-240V, 50/60 Hz
 Type: Handy 2-in-1

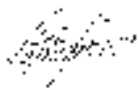
Is in compliance with the following standards:

EN 60335-1:2012+A11:2014
 EN 60335-2-2:2010+A11:2012+A1:2013
 EN 61558-1:2005+A1:2009
 EN 61558-2-16:2009+A1:2013
 EN 55014-1:2006+A1:2009+A2:2011
 EN 55014-2:1997+A1:2001+A2:2008
 EN 61000-3-2:2014
 EN 61000-3-3:2013
 EN 50581:2012

Following the provisions of:

Low Voltage Directive 2014/35/EC
 EMC Directive 2014/30/EU
 RoHS Directive 2011/65/EC
 Ecodesign Directive 2009/125/EC
 Ecodesign requirements for external power supplies 278/2009/EC
 Ecodesign requirements for standby and off mode 1275/2008/EC

Hadsund, 03-08-2016



Anton Sørensen
 Senior VP, Global R&D

EN

DE

FR

ES

PT

IT

NL

SV

NO

DA

FI

EL

TR

CS

SL

SK

HU

RO


BG

PL

JA


English

WEEE - Waste of Electric and Electronic

The symbol  on the product and the batteries indicates that they may not be treated as household waste. Instead they shall be handed over to the applicable collection point for the recycling of electrical and electronic equipment. By ensuring this product and the batteries are disposed of correctly, you will help prevent potential negative consequences for the environment and human health, which could otherwise be caused by inappropriate waste handling. For more detailed information about recycling, please contact your local city office, your household waste disposal service or the shop where you purchased the product.


Deutsch

Entsorgung von Elektro- und Elektronikgeräten

Die Kennzeichnung  am Produkt sowie an den Akkus verweist darauf, dass eine Entsorgung über den Hausmüll untersagt ist. Die bezeichneten Komponenten/Geräte sind in dafür vorgesehenen Sammelstellen für elektrische/elektronische Altgeräte abzugeben. Durch die sachgerechte Entsorgung dieses Produkts und der Akkus tragen Sie dazu bei, potenzielle Umwelt- und Gesundheitsgefährdungen zu vermeiden, die bei einer unsachgerechten Abfallaufbereitung auftreten können. Ausführliche Auskünfte zur Altstoffrückgewinnung erhalten Sie von der Stadt-/Kommunalverwaltung, Ihrer Abfallentsorgungseinrichtung oder im Geschäft, in dem das Produkt erworben wurde.


Français

DEEE – Déchets d'équipements électriques et électroniques

Le symbole  sur le produit et les batteries indique qu'il ne faut pas les traiter comme des déchets ménagers. Au lieu de cela, il faut les remettre au point de collecte approprié pour le recyclage des équipements électriques et électroniques. En veillant à ce que ce produit et les batteries soient correctement mis au rebut, vous contribuerez à éviter les éventuelles conséquences négatives pour l'environnement et la santé des personnes qui pourraient résulter sans cela d'un traitement inapproprié des déchets. Pour obtenir des informations plus détaillées sur le recyclage, veuillez contacter les services municipaux dont vous dépendez, les services responsables de l'enlèvement des ordures ménagères dans votre localité, ou le magasin où vous avez acheté le produit.


Español

RAEE - Residuos de aparatos eléctricos y electrónicos

El símbolo  en el producto y en las baterías indica que no debe tratarse como basura. Debe llevarse al punto para recogida y reciclaje de equipos eléctricos y electrónicos. Al asegurarse de que se deshace correctamente de este producto y de las baterías, ayuda a prevenir consecuencias negativas para el medioambiente y para la salud, que pueden producirse cuando los residuos no se procesan adecuadamente. Para obtener información más detallada acerca del reciclaje, póngase en contacto con su ayuntamiento, su servicio de recogida de basura o la tienda en la adquirió el producto.


Português

REEE – Resíduos de Equipamentos Eléctricos e Electrónicos

O símbolo  no produto e nas baterias indica que estes componentes não podem ser tratados como resíduos domésticos. Pelo contrário, devem ser entregues num ponto de recolha aplicável para reciclagem de equipamentos eléctricos e electrónicos. Assegurando que este produto e as baterias são eliminados correctamente, ajudará a evitar possíveis consequências adversas para o ambiente e a saúde humana que, de outra forma, poderiam ser provocadas por um tratamento incorrecto dos resíduos. Para obter informações mais detalhadas acerca da reciclagem, contacte o gabinete adequado da sua cidade, os serviços de eliminação de resíduos domésticos da sua área ou a loja onde adquiriu o produto.

Italiano

WEEE – Corretto smaltimento del prodotto (rifiuti elettrici ed elettronici)

Il simbolo  riportato sul prodotto e sulle batterie indica che essi non possono essere smaltiti come normali rifiuti domestici. Per evitare eventuali danni all'ambiente o alla salute causati dall'inopportuno smaltimento dei rifiuti, si invita l'utente a riciclare prodotto e batterie presso l'apposita struttura preposta allo smaltimento di apparecchiature elettriche ed elettroniche. Per informazioni più dettagliate in merito alle pratiche di riciclaggio, contattare il competente ufficio locale, il servizio smaltimento rifiuti domestici o il rivenditore presso il quale è stato effettuato l'acquisto.



HEAD QUARTER

DENMARK

Nilfisk A/S
Kornmarksvej 1
DK-2605 Broendby
Tel.: (+45) 4323 8100
Website: www.nilfisk.com

SALES COMPANIES

ARGENTINA

Nilfisk srl.
Edificio Central Park
Herrera 1855, 6th floor/604
Ciudad de Buenos Aires
Tel.: (+54) 11 6091 1571
Website: www.nilfisk.com.ar

AUSTRALIA

Nilfisk Pty Ltd
Unit 1/13 Bessemer Street
Blacktown NSW 2148
Tel.: (+61) 2 98348100
Website: www.nilfisk.com.au

AUSTRIA

Nilfisk GmbH
Metzgerstrasse 68
5101 Bergheim bei Salzburg
Tel.: (+43) 662 456 400 90
Website: www.nilfisk.at

BELGIUM

Nilfisk n.v.s.a.
Riverside Business Park
Boulevard Internationale/leaan 55
Bâtiment C3/C4 Gebouw
Bruxelles 1070
Tel.: (+32) 14 67 60 50
Website: www.nilfisk.be

BRAZIL

Nilfisk do Brasil
Av. Eng. Luis Carlos Berrini, 550
40 Andar, Sala 03
SP - 04571-000 Sao Paulo
Tel.: (+11) 3959-0300 / 3945-4744
Website: www.nilfisk.com.br

CANADA

Nilfisk Canada Company
240 Superior Boulevard
Mississauga, Ontario L5T 2L2
Tel.: (+1) 800-668-8400
Website: www.nilfisk.ca

CHILE

Nilfisk S.A. (Comercial KCS Ltda)
Salar de Llamara 822
8320000 Santiago
Tel.: (+56) 2684 5000
Website: www.nilfisk.cl

CHINA

Nilfisk
4189 Yindu Road
Xinzhuang Industrial Park
201108 Shanghai
Tel.: (+86) 21 3323 2000
Website: www.nilfisk.cn

CZECH REPUBLIC

Nilfisk s.r.o.
VGP Park Horní Počernice
Do Čertous 1/2658
193 00 Praha 9
Tel.: (+420) 244 090 912
Website: www.nilfisk.cz

DENMARK

Nilfisk Danmark A/S
Industrivej 1
Hadsund, DK-9560
Tel.: 72 18 21 20
Website: www.nilfisk.dk

FINLAND

Nilfisk Oy Ab
Koskelontie 23 E
02920 Espoo
Tel.: (+358) 207 890 600
Website: www.nilfisk.fi

FRANCE

Nilfisk SAS
26 Avenue de la Baltique
Villebon sur Yvette
91978 Courtabouef Cedex
Tel.: (+33) 169 59 87 24
Website: www.nilfisk.fr

GERMANY

Nilfisk GmbH
Guido-Oberdorfer-Straße 2-10
89287 Bellenberg
Tel.: (+49) (0)7306/72-444
Website: www.nilfisk.de

GREECE

Nilfisk A.E.
Αντισσώως 29
Κορωπί Τ.Κ. 194 00
Tel.: (30) 210 9119 600
Website: www.nilfisk.gr

HOLLAND

Nilfisk B.V.
Versterkerstraat 5
1322 AN Almere
Tel.: (+31) 036 5460760
Website: www.nilfisk.nl

HONG KONG

Nilfisk Ltd.
2001 HK Worsted Mills
Industrial Building
31-39, Wo Tong Tsui St.
Kwai Chung, N.T.
Tel.: (+852) 2427 5951
Website: nilfisk.com

HUNGARY

Nilfisk Kft.
II. Rákóczi Ferenc út 10
2310 Szigetszentmiklós-Lakihegy
Tel.: (+36) 24 475 550
Website: www.nilfisk.hu

INDIA

Nilfisk India Limited
Pramukh Plaza, 'B' Wing, 4th floor, Unit No. 403
Cardinal Gracious Road, Chakala
Andheri (East) Mumbai 400 099
Tel.: (+91) 22 6118 8188
Website: www.nilfisk.in

IRELAND

Nilfisk
1 Stokes Place
St. Stephen's Green
Dublin 2
Tel.: (+35) 3 12 94 38 38
Website: www.nilfisk.ie

ITALY

Nilfisk SpA
Strada Comunale della Braglia, 18
26862 Guardamiglio (LO)
Tel.: (+39) (0) 377 414021
Website: www.nilfisk.it

JAPAN

Nilfisk Inc.
1-6-6 Kita-shinyokohama, Kouhoku-ku
Yokohama, 223-0059
Tel.: (+81) 45548 2571
Website: www.nilfisk.com

MALAYSIA

Nilfisk Sdn Bhd
Sd 33, Jalan KIP 10
Taman Perindustrian KIP
Sri Damansara
52200 Kuala Lumpur
Tel.: (60) 3603 627 43 120
Website: www.nilfisk.com

MEXICO

Nilfisk de Mexico, S. de R.L. de C.V.
Pirineos 515, Int. 60-70
Zona Industrial Benito Juárez
Querretaro, QRO, CP 76120
Tel.: (+52) 442 427 77 00
Website: www.nilfisk.com

NEW ZEALAND

Nilfisk Limited
Suite F, Building E
42 Tawa Drive
0632 Albany Auckland
Tel.: (+64) 9 414 1996
Website: www.nilfisk.com

NORWAY

Nilfisk AS
Bjørnerudveien 24
1266 Oslo
Tel.: (+47) 22 75 17 80
Website: www.nilfisk.no

PERU

Nilfisk S.A.C.
Calle Boulevard 162, Of. 703, Lima 33- Perú
Lima
Tel.: (511) 435-6840
Website: www.nilfisk.com

POLAND

Nilfisk Sp. Z. O. O.
Millenium Logistic Park
ul. 3 Maja 8, Bud. B4
05-800 Pruszków
Tel.: (+48) 22 738 3750
Website: www.nilfisk.pl

PORTUGAL

Nilfisk Lda.
Sintra Business Park
Zona Industrial Da Abrunheira
Edificio 1, 1º A
P2710-089 Sintra
Tel.: (+351) 21 911 2670
Website: www.nilfisk.pt

RUSSIA

Nilfisk LLC
Vyatskaya str. 27, bld. 7/1st
127015 Moscow
Tel.: (+7) 495 783 9602
Website: www.nilfisk.ru

SINGAPORE

Den-Sin
22 Tuas Avenue 2
639453 Singapore
Tel.: (+65) 6268 1006
Website: www.densin.com

SLOVAKIA

Nilfisk s.r.o.
Bancíkovej 1/A
SK-821 03 Bratislava
Tel.: (+421) 910 222 928
Website: www.nilfisk.sk

SOUTH AFRICA

WAP South Africa
12 Newton Street
Spartan 1630
Tel.: (+27) 11 975 7060
Website: www.wap.com.za

SOUTH KOREA

Nilfisk Korea
3F Duksoo B/D, 317-15
Sungsoo-Dong 2Ga
Sungdong-Gu, Seoul
Tel.: (+82) 2497 8636
Website: www.nilfisk.co.kr

SPAIN

Nilfisk S.A.
Torre d'Ara,
Passeig del Rengle, 5 Plta. 10º
08302 Mataró
Tel.: (34) 93 741 2400
Website: www.nilfisk.es

SWEDEN

Nilfisk AB
Täljegårdsgatan 4
431 53 Mölndal
Tel.: (+46) 31 706 73 00
Website: www.nilfisk.se

SWITZERLAND

Nilfisk AG
Ringstrasse 19
Kircheberg/Industri Stelz
9500 Wil
Tel.: (+41) 71 92 38 444
Website: www.nilfisk.ch

TAIWAN

Nilfisk Ltd
Taiwan Branch (H.K)
No. 5, Wan Fang Road
Taipei
Tel.: (+88) 6227 00 22 68
Website: www.nilfisk.tw

THAILAND

Nilfisk Co. Ltd.
89 Soi Chokechai-Ruammitr
Viphavadee-Rangsit Road
Ladyao, Jatuchak, Bangkok 10900
Tel.: (+66) 2275 5630
Website: www.nilfisk.co.th

TURKEY

Nilfisk A.S.
Serifali Mh. Bayraktar Bulv. Sehit Sk. No:7
Umraniye, 34775 Istanbul
Tel.: +90 216 466 94 94
Website: www.nilfisk.com.tr

UNITED ARAB EMIRATES

Nilfisk Middle East Branch
SAIF-Zone
P.O. Box 122298
Sharjah
Tel.: (+971) (0) 655-78813
Website: www.nilfisk.com

UNITED KINGDOM

Nilfisk Ltd
Nilfisk House, Bowerbank Way
Gilwilly Industrial Estate, Penrith
Cumbria CA11 9BQ
Tel.: (+44) (0) 1768 868995
Website: www.nilfisk.co.uk

UNITED STATES

Nilfisk Inc.
14600 21st Avenue North
Plymouth, MN-55447
Tel.: (+1) 800-989-2235
Website: www.nilfisk.com

VIETNAM

Nilfisk Vietnam
No. 51 Doc Ngu Str.
P. Vinh Phúc, Q.Ba Dinh
Hanoi
Tel.: (+84) 761 5642
Website: www.nilfisk.com