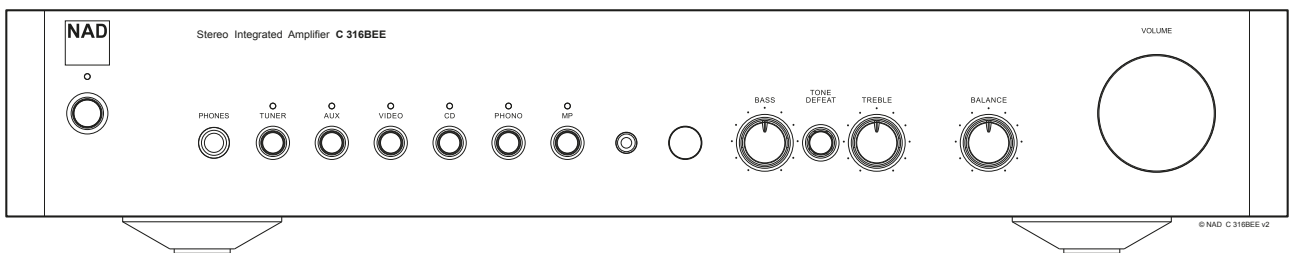




C 316BEE

Stereo Integrated Amplifier


ENGLISH



Owner's Manual

IMPORTANT SAFETY INSTRUCTIONS

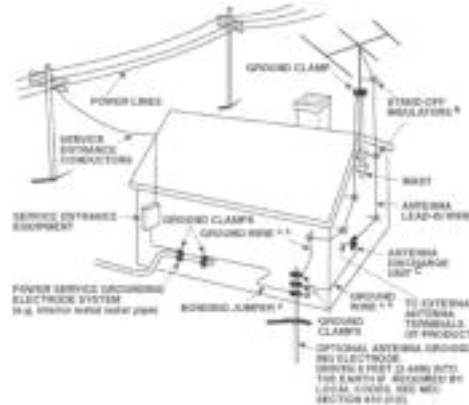
**SAVE THESE INSTRUCTIONS FOR LATER USE.
FOLLOW ALL WARNINGS AND INSTRUCTIONS MARKED ON THE AUDIO EQUIPMENT.**

- 1 Read instructions** - All the safety and operating instructions should be read before the product is operated.
- 2 Retain instructions** - The safety and operating instructions should be retained for future reference.
- 3 Heed Warnings** - All warnings on the product and in the operating instructions should be adhered to.
- 4 Follow Instructions** - All operating and use instructions should be followed.
- 5 Cleaning** - Unplug this product from the wall outlet before cleaning. Do not use liquid cleaners or aerosol cleaners. Use a damp cloth for cleaning.
- 6 Attachments** - Do not use attachments not recommended by the product manufacturer as they may cause hazards.
- 7 Water and Moisture** - Do not use this product near water-for example, near a bath tub, wash bowl, kitchen sink, or laundry tub; in a wet basement; or near a swimming pool; and the like.
- 8 Accessories** - Do not place this product on an unstable cart, stand, tripod, bracket, or table. The product may fall, causing serious injury to a child or adult, and serious damage to the product. Use only with a cart, stand, tripod, bracket, or table recommended by the manufacturer, or sold with the product. Any mounting of the product should follow the manufacturer's instructions, and should use a mounting accessory recommended by the manufacturer.
-  A product and cart combination should be moved with care. Quick stops, excessive force, and uneven surfaces may cause the product and cart combination to overturn.
- 10 Ventilation** - Slots and openings in the cabinet are provided for ventilation and to ensure reliable operation of the product and to protect it from overheating, and these openings must not be blocked or covered. The openings should never be blocked by placing the product on a bed, sofa, rug, or other similar surface. This product should not be placed in a built-in installation such as a bookcase or rack unless proper ventilation is provided or the manufacturer's instructions have been adhered to.
- 11 Power Sources** - This product should be operated only from the type of power source indicated on the marking label. If you are not sure of the type of power supply to your home, consult your product dealer or local power company. The primary method of isolating the amplifier from the mains supply is to disconnect the mains plug. Ensure that the mains plug remains accessible at all times. Unplug the AC power cord from the AC outlet if the unit will not be used for several months or more.
- 12 Grounding or Polarization** - This product may be equipped with a polarized alternating-current line plug (a plug having one blade wider than the other). This plug will fit into the power outlet only one way. This is a safety feature. If you are unable to insert the plug fully into the outlet, try reversing the plug. If the plug should still fail to fit, contact your electrician to replace your obsolete outlet. Do not defeat the safety purpose of the polarized plug.
- 13 Power Cord Protection** - Power-supply cords should be routed so that they are not likely to be walked on or pinched by items placed upon or against them, paying particular attention to cords at plugs, convenience receptacles, and the point where they exit from the product.

- 14 Outdoor Antenna Grounding** - If an outside antenna or cable system is connected to the product, be sure the antenna or cable system is grounded so as to provide some protection against voltage surges and built-up static charges. Article 810 of the National Electrical Code, ANSI/NFPA 70, provides information with regard to proper grounding of the mast and supporting structure, grounding of the lead-in wire to an antenna discharge unit, size of grounding conductors, location of antenna discharge unit, connection to grounding electrodes, and requirements for the grounding electrode.

NOTE TO CATV SYSTEM INSTALLER

This reminder is provided to call the CATV system installer's attention to Section 820-40 of the NEC which provides guidelines for proper grounding and, in particular, specifies that the cable ground shall be connected to the grounding system of the building, as close to the point of cable entry as practical.



- 15 Lightning** - For added protection for this product during a lightning storm, or when it is left unattended and unused for long periods of time, unplug it from the wall outlet and disconnect the antenna or cable system. This will prevent damage to the product due to lightning and power-line surges.
- 16 Power Lines** - An outside antenna system should not be located in the vicinity of overhead power lines or other electric light or power circuits, or where it can fall into such power lines or circuits. When installing an outside antenna system, extreme care should be taken to keep from touching such power lines or circuits as contact with them might be fatal.
- 17 Overloading** - Do not overload wall outlets, extension cords, or integral convenience receptacles as this can result in a risk of fire or electric shock.
- 18 Object and Liquid Entry** - Never push objects of any kind into this product through openings as they may touch dangerous voltage points or short-out parts that could result in a fire or electric shock. Never spill liquid of any kind on the product.

WARNING: THE APPARATUS SHOULD NOT BE EXPOSED TO DRIPPING OR SPLASHING, AND OBJECTS FILLED WITH LIQUIDS, SUCH AS VASES, SHOULD NOT BE PLACED ON THE APPARATUS. AS WITH ANY ELECTRONIC PRODUCTS, USE CARE NOT TO SPILL LIQUIDS INTO ANY PART OF THE SYSTEM. LIQUIDS CAN CAUSE A FAILURE AND/OR A FIRE HAZARD.

IMPORTANT SAFETY INSTRUCTIONS

19 Damage Requiring Service - Unplug this product from the wall outlet and refer servicing to qualified service personnel under the following conditions:

- a) When the power-supply cord or plug is damaged.
- b) If liquid has been spilled, or objects have fallen into the product.
- c) If the product has been exposed to rain or water.
- d) If the product does not operate normally by following the operating instructions. Adjust only those controls that are covered by the operating instructions as an improper adjustment of other controls may result in damage and will often require extensive work by a qualified technician to restore the product to its normal operation.
- e) If the product has been dropped or damaged in any way.
- f) when the product exhibits a distinct change in performance-this indicates a need for service.

20 Replacement Parts - When replacement parts are required, be sure the service technician has used replacement parts specified by the manufacturer or have the same characteristics as the original part. Unauthorized substitutions may result in fire, electric shock, or other hazards.

21 Safety Check - Upon completion of any service or repairs to this product, ask the service technician to perform safety checks to determine that the product is in proper operating condition.

22 Wall or Ceiling Mounting - The product should be mounted to a wall or ceiling only as recommended by the manufacturer.

23 Heat - The product should be situated away from heat sources such as radiators, heat registers, stoves or other products (including amplifiers) that produce heat.

24 Headphones - Excessive sound pressure from earphones and headphones can cause hearing loss.

25 Battery Disposal - When disposing of used batteries, please comply with governmental regulations or environmental public instruction's rules that apply in your country or area. Batteries (battery pack or batteries installed) must not be exposed to excessive heat such as sunshine, fire or the like.

WARNING

TO REDUCE THE RISK OF FIRE OR ELECTRIC SHOCK, DO NOT EXPOSE THIS PRODUCT TO RAIN OR MOISTURE.

CAUTION

TO PREVENT ELECTRIC SHOCK, MATCH WIDE BLADE OF PLUG TO WIDE SLOT, FULLY INSERT.



THE LIGHTNING FLASH WITH ARROWHEAD SYMBOL, WITHIN AN EQUILATERAL TRIANGLE, IS INTENDED TO ALERT THE USER TO THE PRESENCE OF UNINSULATED "DANGEROUS VOLTAGE" WITHIN THE PRODUCT'S ENCLOSURE THAT MAYBE OF SUFFICIENT MAGNITUDE TO CONSTITUTE A RISK OF ELECTRIC SHOCK TO PERSONS.



THE EXCLAMATION POINT WITHIN AN EQUILATERAL TRIANGLE IS INTENDED TO ALERT THE USER TO THE PRESENCE OF IMPORTANT OPERATING AND MAINTENANCE (SERVICING) INSTRUCTIONS IN THE LITERATURE ACCOMPANYING THE APPLIANCE.



CAUTION

Changes or modifications to this equipment not expressly approved by NAD Electronics for compliance could void the user's authority to operate this equipment.

CAUTION REGARDING PLACEMENT

To maintain proper ventilation, be sure to leave a space around the unit (from the largest outer dimensions including projections) that is equal to or greater than shown below.

- Left and Right Panels: 10 cm
- Rear Panel: 10 cm
- Top Panel: 10 cm

IMPORTANT SAFETY INSTRUCTIONS

NOTES ON ENVIRONMENTAL PROTECTION



At the end of its useful life, this product must not be disposed of with regular household waste but must be returned to a collection point for the recycling of electrical and electronic equipment. The symbol on the product, user's manual and packaging, point this out.

The materials can be reused in accordance with their markings. Through re-use, recycling of raw materials or other forms of recycling of old products, you are making an important contribution to the protection of our environment. Your local administrative office can advise you of the responsible waste disposal point.

INFORMATION ABOUT COLLECTION AND DISPOSAL OF WASTE BATTERIES (DIRECTIVE 2006/66/EC OF THE EUROPEAN PARLIAMENT AND THE COUNCIL OF EUROPEAN UNION) (FOR EUROPEAN CUSTOMERS ONLY)

Batteries bearing any of these symbols indicate that they should be treated as "separate collection" and not as municipal waste. It is encouraged that necessary measures are implemented to maximize the separate collection of waste batteries and



to minimize the disposal of batteries as mixed municipal waste.

Pb

End-users are exhorted not to dispose waste batteries as unsorted municipal waste. In order to achieve a high level of recycling waste batteries, discard waste batteries separately and properly through an accessible collection point in your vicinity. For more information about collection and recycling of waste batteries, please contact your local municipality, your waste disposal service or the point of sale where you purchased the items.



Hg

Cd

By ensuring compliance and conformance to proper disposal of waste batteries, potential hazardous effects on human health is prevented and the negative impact of batteries and waste batteries on the environment is minimized, thus contributing to the protection, preservation and quality improvement of the environment.

NOTE: THE C 316BEE IS NOT AN AUTO VOLTAGE UNIT. CONNECT ONLY TO THE PRESCRIBED AC OUTLET, I.E., 120V 60HZ OR 230V 50HZ.

RECORD YOUR MODEL NUMBER (NOW, WHILE YOU CAN SEE IT)

The model and serial number of your new C 316BEE are located on the back of the cabinet. For your future convenience, we suggest that you record these numbers here:

Model no.:

Serial no.:

UNPACKING AND SETUP

WHAT'S IN THE BOX

Packed with your C 316BEE you will find:

- AMP 4 remote control with 3V CR2025 battery
- Quick Setup Guide

SAVE THE PACKAGING

Please save the box and all the packaging in which your C 316BEE arrived. Should you move or otherwise need to transport your C 316BEE, this is by far the safest container in which to do so. We've seen too many otherwise perfect components damaged in transit for lack of a proper shipping carton, so please: Save that box!

CHOOSING A LOCATION

Choose a location that is well ventilated (with at least several inches to both sides and behind), and that will provide a clear line of sight, within 23 feet/7 meters, between the C 316BEE's front panel and your primary listening/viewing position. This will ensure reliable infrared remote control communications. The C 316BEE generates a modest amount of heat, but nothing that should trouble adjacent components. It is perfectly possible to stack the C 316BEE atop other components, but the reverse usually should be avoided.

It is especially important that sufficient ventilation be provided. If you are contemplating locating the C 316BEE within a cabinet or other furniture, consult your NAD audio/video specialist for advice on providing adequate airflow.

NOTES ON INSTALLATION

- Place your C 316BEE on a firm, level surface.
- Avoid placing the unit in direct sunlight or near sources of heat and damp.
- Allow adequate ventilation.
- Do not place the unit on a soft surface like a carpet. Do not place it in an enclosed position such a bookcase or cabinet that may impede the air-flow through the ventilation slots.
- Make sure the unit is switched off before making any connections.
- The RCA sockets on your C 316BEE are colour coded for convenience. Red and white are Right and Left audio respectively. Use high quality leads and sockets for optimum performance and reliability. Ensure that leads and sockets are not damaged in any way and all sockets are firmly pushed home.
- For best performance, use quality speaker leads of 16 gauge (1.5mm) thickness or more. If the unit is not going to be used for some time, disconnect the plug from the AC socket.
- Should water get into your C 316BEE, shut off the power to the unit and remove the plug from the AC socket. Have the unit inspected by a qualified service technician before attempting to use it again.

DO NOT REMOVE THE COVER; THERE ARE NO USER-SERVICEABLE PARTS INSIDE.

- Use a dry soft cloth to clean the unit. If necessary, lightly dampen the cloth with soapy water. Do not use solutions containing benzol or other volatile agents.

BARE WIRES AND PIN CONNECTORS



WARNING: The terminals marked with this symbol are hazardous live. External wiring connected to these terminals requires installation by an instructed person or the use of ready-made leads or cords.

Bare wires and pin sockets should be inserted into the hole in the shaft of the terminal. Unscrew the speaker terminal's plastic bushing until the hole in the screw shaft is revealed. Insert the pin or bare cable end into the hole and secure the cable by tightening down the terminal's bushing. Ensure bare wire from the speaker cables does not touch the back panel or another socket. Ensure that there is only 1/2" (1cm) of bare cable or pin and no loose strands of speaker wire.

QUICK START

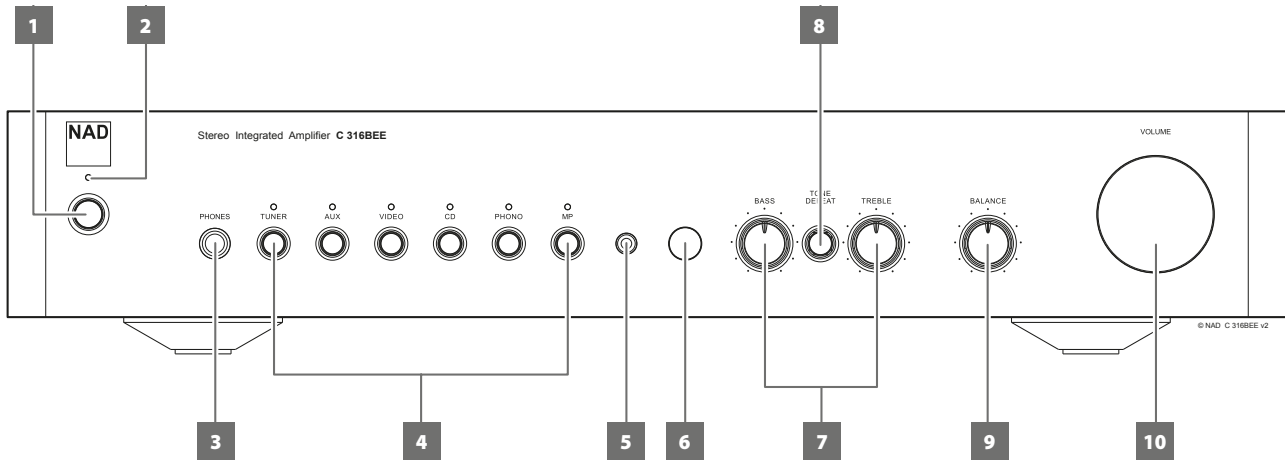
In case you simply cannot wait to experience the performance of your new NAD C 316BEE, we provide the following "QUICK START" instructions to get you underway.

Please make all the connections to your C 316BEE with the unit unplugged. It is also advisable to power-down or unplug all associated components while making or breaking any signal or AC power connections.

- 1 Connect the speakers to the rear Speaker terminals and sources to the relevant rear input sockets.
- 2 Connect the AC cord into an AC outlet.
- 3 Set the POWER switch on the rear panel to the "ON" setting. The front panel Standby LED will turn amber and the C 316BEE will go into standby mode.
- 4 Press the front panel STANDBY button to turn the C 316BEE ON. The Standby LED indicator will turn from amber to blue.
- 5 Press the desired input selector.

IDENTIFICATION OF CONTROLS

FRONT PANEL



1 STANDBY

- With the rear panel POWER switch set to ON position, press this button to turn the C 316BEE ON. The Standby LED indicator will turn from amber to blue. Pressing the STANDBY button again returns the unit to standby mode.
- The C 316BEE can also be switched ON from standby mode by pressing any of the front panel buttons.

2 STANDBY LED

- This indicator is amber when the C 316BEE is in standby state. When the C 316BEE is at ON state, the indicator will be blue.
- The indicator will flash momentarily when an infrared command from the AMP 4 remote is received.
- The C 316BEE will engage its Protection circuitry (indicated by the Standby LED turning from blue to red and muting the sound) should an issue such as excessively low speaker impedance, short circuit, or other environmental problems occur.
- Should such an issue occur, switch OFF the C 316BEE via the rear panel POWER switch, wait for it to cool down and check the speaker connections to ensure the overall loudspeaker impedance doesn't go below 4 ohms. Once the cause has been removed, switch ON the rear panel POWER switch and then, press the front panel STANDBY button to resume normal operation.

3 PHONES

- A 1/4" stereo jack socket is supplied for headphone listening and will work with conventional headphones of any impedance.
- Inserting a headphone jack into this socket automatically switches off the loudspeakers.
- The volume, tone and balance controls are operative for headphone listening.
- Use a suitable adapter to connect headphones with other types of sockets, such as 3.5mm "personal stereo" jack plugs.

NOTE

Make certain that the volume control is turned to minimum (fully counter-clockwise) before connecting or disconnecting headphones. Listening at high levels can damage your hearing.

4 INPUT SELECTORS

- These buttons select the active input to the NAD C 316BEE and the signal sent to the loudspeakers or headphones. The AMP 4 remote control duplicates these buttons. When selected, the corresponding input LED indicator will illuminate blue.

TUNER: Selects the tuner (or other line-level source) connected to the tuner sockets as the active input.

AUX: Selects a line-level source connected to the AUX sockets as the active input.

VIDEO: Selects the VCR (or stereo TV/Satellite/Cable receiver) connected to the VIDEO sockets as the active input.

CD: Selects the CD (or other line-level source) connected to the CD sockets as the active input.

PHONO: Selects the turntable as the active input.

MP: Selects the MP Socket as the active input.

5 MP SOCKET

- Using a 3.5mm stereo plug, connect into this socket the audio output of a Media Player.

NOTE

It is recommended to mute the volume or switch to a different input before plugging/unplugging the external Media Player cable.

6 REMOTE SENSOR

- Point the AMP 4 remote control at the remote sensor and press the buttons. Do not expose the remote sensor of the C 316BEE to a strong light source such as direct sunlight or illumination. If you do so, you may not be able to operate the C 316BEE with the remote control.

Distance: About 23ft (7m) from the front of the remote sensor.

Angle: About 30° in each direction of the front of the remote sensor.

7 TONE CONTROLS

- The NAD C 316BEE is fitted with BASS and TREBLE tone controls to adjust the tonal balance of your system. The 12 o'clock position is "flat" with no boost or cut (an indent indicates this position).
- Rotate the control clockwise to increase the amount of Bass or Treble. Rotate the control counterclockwise to decrease the amount of Bass or Treble.

8 TONE DEFEAT

- The TONE DEFEAT switch bypasses the tone control section of the C 316BEE.
- If the Tone Controls are not normally used and left in the 12 o'clock position, then it is advisable to switch out the Tone Control section altogether by using this switch.
- In the 'out' position, the Tone Control circuits are active; pushing the TONE DEFEAT switch 'in' bypasses the Tone Control section.

9 BALANCE

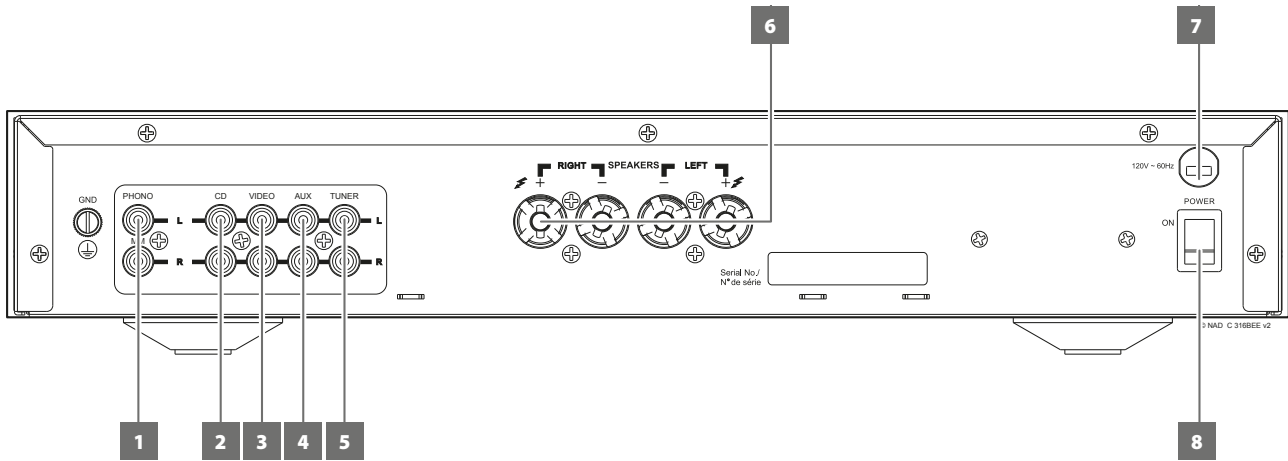
- The BALANCE control adjusts the relative levels of the left and right speakers.
- The 12 o'clock position provides equal levels to both the left and right speakers. A detent indicates this position.
- Rotating the control clockwise moves the balance towards the right. Rotating the control counterclockwise moves the balance to the left.

10 VOLUME

- The VOLUME control adjusts the overall loudness of the signals sent to the loudspeakers or headphones.

IDENTIFICATION OF CONTROLS

REAR PANEL



ATTENTION!

Please make sure that the C 316BEE is powered off or unplugged before making any connections. It is also advisable to power down or unplug all associated components while making or breaking any signal or AC power connections.

1 PHONO INPUT

- Input for a turntable. This unit is compatible with turntables equipped with a moving magnet (MM) phono cartridge.
- Use a twin RCA-to-RCA lead to connect the turntable's left and right "Outputs" to this input.

2 CD INPUT

- Input for a CD or other line-level signal source.
- Use a twin RCA-to-RCA lead to connect the CD player's left and right "Audio Outputs" to this input.

3 VIDEO INPUT

- Input for the audio signal from a stereo VCR (or stereo TV/Satellite/Cable receiver) or other line-level audio source.
- Using twin RCA-to-RCA leads, connect to the left and right "Audio Outputs" of the unit to these inputs.

NOTE

These are audio inputs only.

4 AUX INPUT

- Input for additional line level input signals such as another CD player.
- Use a twin RCA-to-RCA lead to connect the auxiliary unit's left and right "Audio Outputs" to this input.

5 TUNER INPUT

- Input for a tuner or other line-level signal source.
- Use a twin RCA-to-RCA lead to connect the tuner left and right "Audio Outputs" to this input.

6 SPEAKERS

- Connect the right speaker to the terminals marked "R+" and "R-" ensuring that the "R+" is connected to the "+" terminal on your loudspeaker and the "R-" is connected to the loudspeaker's "-" terminal. Connect the terminals marked "L+" and "L-" to the left speaker in the same way.
- Always use heavy duty (16 gauge; 1.5mm, or thicker) stranded wire to connect loudspeakers to your C 316BEE. The high-current binding post terminals can be used as a screw terminal for cables terminating in spade or pin sockets or for cables with bare wire ends.
- The C 316BEE is designed to produce optimum sound quality when connected to speakers with impedances within its operating range. Please make sure that all the speakers are rated 4 ohms minimum per speaker.

7 AC POWER CORD

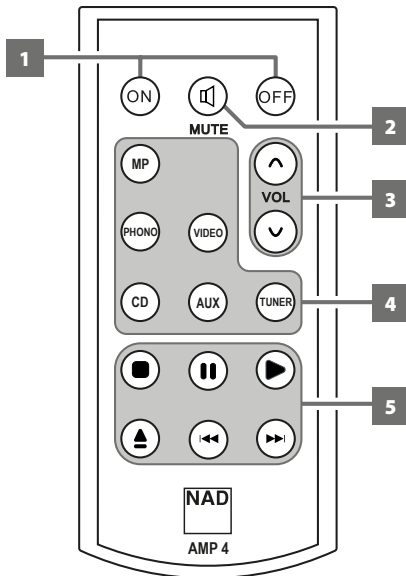
- Connect AC power cord only to the prescribed AC Outlet, i.e., 120V 60 Hz or 230V 50 Hz.

8 POWER SWITCH

- The POWER switch supplies the master AC mains power for the C 316BEE. When this switch is in the ON position, the unit is in standby mode, as shown by the amber status condition of the standby LED.
- Press the front panel's STANDBY button to turn ON the C 316BEE or press again to return to standby mode.
- Switch off the POWER switch if you intend not to use the C 316BEE for long periods of time (such as when on vacation).
- If the rear panel POWER switch is switched off the C 316BEE cannot be turned ON using the front panel STANDBY button or AMP 4 remote control's [ON] button.

IDENTIFICATION OF CONTROLS

AMP 4 REMOTE CONTROL



USING THE AMP 4 REMOTE CONTROL

The AMP 4 remote control handset handles the key functions of the C 316BEE. It has additional controls to remotely operate NAD CD Players. It will operate up to a distance of 23ft (7m). When a command from the remote control is received, the Standby LED indicator will blink.

- 1 ON/OFF:** The AMP 4 remote has a separate ON and OFF button. Press the ON button to switch the unit from Standby to operating mode. Press the OFF button to switch the unit to Standby mode.
- 2 MUTE:** Press the [MUTE] button to temporarily switch OFF the sound to the speakers or headphones. Press MUTE again to restore sound.
- 3 VOL ▲/▼:** Press [VOL ▲/▼] button to increase or decrease the loudness level. Release the button when the desired level is reached.
- 4 INPUT SELECTORS:** Refer to the corresponding labels printed on the remote control buttons to make use of these functions. The input selector buttons perform the same functions as the buttons labeled the same on the front panel.
- 5 CD PLAYER CONTROL (for use with NAD CD Player):** Some of the control buttons below are applicable only to specific NAD CD Player models; check the owner's manual of your NAD CD Player for control button compatibility.
 - : Stop playback.
 - || : Pause playback temporarily.
 - ▶ : Start playback.
 - ▲ : Open or close disc tray.
 - ▶▶ : Go to next track or file.
 - ◀◀ : Go to beginning of current/ previous track or file.

REFERENCE

TROUBLESHOOTING

CONDITION	POSSIBLE CAUSES	POSSIBLE SOLUTIONS
No sound.	• Power AC lead unplugged or power not switched ON.	• Check if AC lead is plugged in and power switched ON.
	• Mute on.	• Switch off Mute.
No sound one channel.	• Balance control not centered.	• Center Balance control.
	• Speaker not properly connected or damaged.	• Check connections and speakers.
	• Input lead disconnected or damaged.	• Check leads and connections.
Weak bass/diffused stereo image.	• Speakers wired out of phase.	• Check connections to all speakers in the system.
Remote control handset not working.	• Battery flat or incorrectly inserted.	• Check or replace battery.
	• IR transmitter or receiver windows obstructed.	• Remove obstruction.
	• IR receiver in direct sun or very bright ambient light.	• Place unit away from direct sun, reduce amount of ambient light.
Standby LED turns red during operation.	• C 316BEE has overheated.	• Turn C 316BEE OFF; make sure ventilation slots on top and bottom of C 316BEE are not blocked. After C 316BEE has cooled down, turn back ON.
	• Overall impedance of loudspeakers too low.	• Ensure the overall loudspeaker impedance is not below 4 ohms.

All specs are measured according to IHF 202 CEA 490-AR-2008 standard. THD is measured using AP AUX 0025 passive filter and AES 17 active filter.

AUDIO SPECIFICATIONS

LINE IN/HEADPHONE OUT

THD (20 Hz – 20 kHz)	<0.03 % in 300 ohms at 2 V out
Signal-to-Noise Ratio	>100 dB (A-weighted, 32 ohms, ref. 2V out, unity gain)
Frequency response	±0.3 dB (20 Hz - 20 kHz)
Output impedance	68 ohms

LINE IN/SPEAKER OUT

Continuous output power into 8 ohms and 4 ohms	40W (ref. 20 Hz-20 kHz at rated THD, both channels driven)
THD (20 Hz – 20 kHz)	<0.03 % (250 mW to 40 W, 8 ohms and 4 ohms)
Signal-to-Noise Ratio	>95 dB (A-weighted, 500 mV input, ref. 1 W out in 8 ohms)
	>97 dB (A-weighted, 500 mV input, unity gain in 32 ohms)
Clipping power (at 1 kHz 0.1 % THD)	>45 W in 8 ohms
	>60 W in 4 ohms
IHF dynamic power	8 ohms: 90 W
	4 ohms: 120 W
	2 ohms: 170 W
Damping factor	>200 (ref. 8 ohms, 1 kHz)
Frequency response	±0.3 dB (20 Hz - 20 kHz, Tone Defeat ON)
	Treble: ± 5dB at 10 kHz
	Bass: ± 8 dB at 100 Hz
Channel separation	>70 dB (1 kHz)
Maximum input level	4.3V (1 kHz THD 0.1%)
Input sensitivity (for 40 W in 8 ohms)	200 mV
Standby power	<0.5 W

PHONO IN/SPEAKER OUT

THD (20 Hz – 20 kHz)	<0.03 % (1 W to 40 W, 8 ohms and 4 ohms)
Signal-to-Noise Ratio	>75 dB with IHF MM cartridge (A-weighted, ref. 5mV input 1 kHz and 1W output in 8 ohms)
Frequency response (RIAA deviation)	±0.3 dB (20 Hz - 20 kHz, Tone Defeat ON) <i>Note: The RIAA response is consistent with a pre-emphasis that is rolled off at 50kHz by a second order filter, such as used in Neumann cutting lathes.</i>
Maximum input level	71 mV (1 kHz THD 0.1%)
Input sensitivity (for 40 W in 8 ohms)	2.95 mV

DIMENSION AND WEIGHT

Gross dimensions (W x H x D)	435 x 90 x 285 mm
	17 7/8 x 3 3/8 x 11 1/4 inches
Net weight	5.5 kg (12.1 lbs)
Shipping weight	6.4 kg (14.1 lbs)

Gross dimension includes feet, volume knob and extended rear panel terminals.
Specifications are subject to change without notice. For updated documentation and features please log onto www.nadelectronics.com for the latest information about your C316BEE.



www.NADelectronics.com

**©2017 NAD ELECTRONICS INTERNATIONAL
A DIVISION OF LENBROOK INDUSTRIES LIMITED**

All rights reserved. NAD and the NAD logo are trademarks of NAD Electronics International, a division of Lenbrook Industries Limited.
No part of this publication may be reproduced, stored or transmitted in any form without the written permission of NAD Electronics International.
While every effort has been made to ensure the contents are accurate at the time of publication, features and specifications may be subject to change without prior notice.

C316BEEV2_ENG_OM_V06 - DEC 2017