

# Electric Food Slicer

User's Manual

EN



**SENCOR®**

SFS 1000WH / SFS 1001GR

SFS 1070WH / SFS 1071GR

Prior to using this appliance, please read the user's manual thoroughly, even in cases, when one has already familiarised themselves with previous use of similar types of appliances. Only use the appliance in the manner described in this user's manual. Keep the user's manual in a safe place where it can be easily retrieved for future use.

We recommend saving the original shipping cardboard box, packaging material, receipt and warranty card for the duration of warranty. In the case of transportation, pack the appliance using the original packaging materials only.

# Electric Food Slicer

SFS 1000WH / SFS 1001GR / SFS 1070WH / SFS 1071GR

## CONTENTS

IMPORTANT SAFETY INSTRUCTIONS .....	3
DESCRIPTION OF THE ELECTRIC FOOD SLICER .....	4
BEFORE FIRST USE .....	5
ASSEMBLING THE ELECTRIC FOOD SLICER .....	5
USING THE ELECTRIC FOOD SLICER .....	6
CLEANING AND MAINTENANCE .....	8
STORAGE .....	8
TECHNICAL SPECIFICATIONS .....	8
INSTRUCTIONS AND INFORMATION REGARDING THE DISPOSAL OF USED PACKAGING MATERIALS ...	9
DISPOSAL OF USED ELECTRICAL AND ELECTRONIC EQUIPMENT .....	9

## IMPORTANT SAFETY INSTRUCTIONS

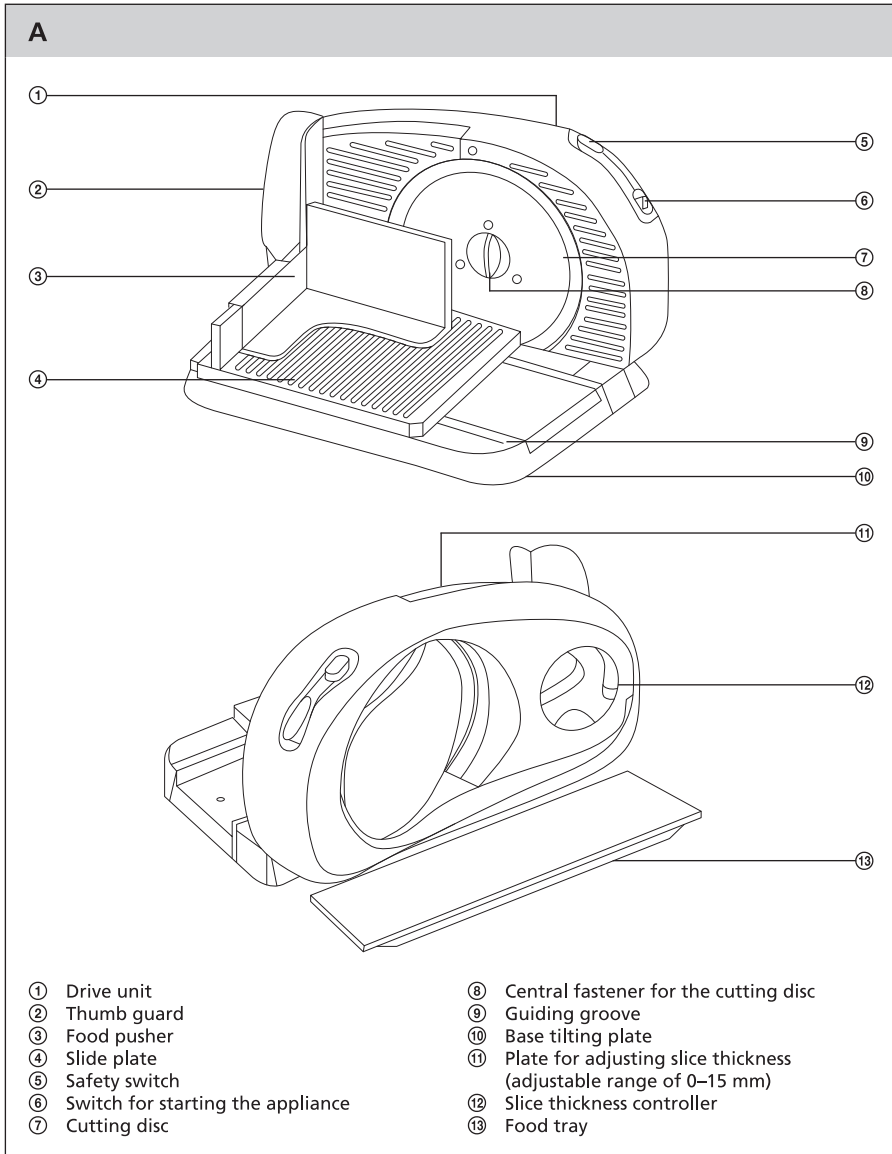
### READ CAREFULLY AND STORE IT FOR FUTURE USE.

- Persons with diminished physical, sensory or mental capacity can use this appliance or persons with limited experience and knowledge, if they are under supervision or were instructed on use of the appliance in a safe manner, and understand its potential dangers.
- Children may not operate this appliance or play with it. Keep the appliance and its power cord out of the reach of children.
- Before connecting this appliance to the socket outlet, make sure the voltage stated on the label of the product corresponds to the voltage in your wall socket.
- Never use accessories, which have not been supplied with this appliance or which have not been explicitly recommended by the manufacturer for this appliance.
- This appliance is designed for household use.
- Do not use the appliance in an industrial environment or outdoors!
- Do not place the appliance on window sills or on unstable surfaces. Only place the appliance on an even, dry and stable surface.
- Do not place the appliance in the vicinity of an open flame or appliances that are sources of heat.
- Ensure that the power plug contacts do not come into contact with water or moisture.
- Do not wash the drive unit under running water or submerge it in water or another liquid.
- Only use the appliance for slicing food excluding hard baked goods, frozen food, food in plastic or aluminium foils, meat with bones, fruit with hard stones, etc.
- Before every use check that the slicing disc is properly attached to the appliance.
- For pushing food against the cutting disc use only the food pusher supplied with this appliance.
- Do not touch the rotating cutting disc.
- If food gets stuck on the cutting disc, clean it using a plastic spatula. Before cleaning the appliance, turn it off and disconnect it from the power outlet.
- Do not insert your fingers or any other items, such as knives, forks, etc., between the slice thickness adjustment plate and the slicing blade.
- Check that the cutting disc has come to a complete stop before taking away the food.
- The maximum time of non-stop operation is 5 minutes. After 5 minutes of operation leave the appliance idle for 15 minutes.
- Always disconnect the appliance from the power socket, if you will not be using it and if you are leaving it without supervision, before assembly, disassembly or cleaning.
- Do not disconnect the appliance from the power socket by pulling on the power cord. This could damage the power cord or the power socket. Disconnect the cord from the power socket by gently pulling out the plug of the power cord.
- Pay increased attention when handling the cutting disc to prevent injury caused by the blade.
- If the power cord is damaged, have it replaced at a expert service centre. It is forbidden to use the appliance if it has a damaged power cord or plug.
- To avoid the danger of injury by electrical shock, do not repair the appliance yourself or make any adjustments to it. Have all repairs or adjustments of the appliance performed at an authorised service centre. Tampering with the appliance during the warranty period may void the warranty policy.

# Electric Food Slicer

SFS 1000WH / SFS 1001GR / SFS 1070WH / SFS 1071GR

## DESCRIPTION OF THE ELECTRIC FOOD SLICER



# Electric Food Slicer

SFS 1000WH / SFS 1001GR / SFS 1070WH / SFS 1071GR

EN

## BEFORE FIRST USE

- 1) Take the appliance and its accessories out of the packaging materials.
- 2) Wash accessories (disassembled cutting disc A⑦, sliding plate A④, food pusher A③, thumb guard A② and food tray A⑬) that come into contact with foodstuffs, in hot water using kitchen detergent. Then thoroughly rinse them under flowing water and dry thoroughly with a wiping cloth.  
Wipe the slice thickness adjustment plate A⑪ with a damp cloth and then dry using a kitchen towel.

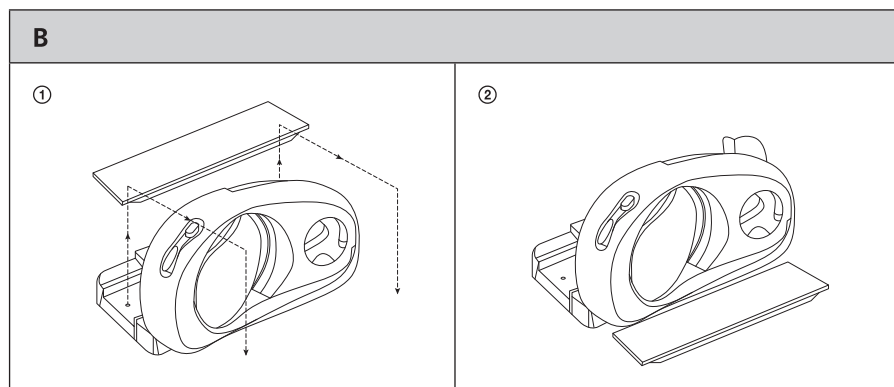


### Attention:

Be careful when handling the cutting disc A⑦ to prevent injury caused by the blade.

## ASSEMBLING THE ELECTRIC FOOD SLICER

- 1) Place the food slicer on an even, dry and stable surface, e.g. on a kitchen workbench.
- 2) Tilt the base plate A⑩ into the horizontal position, take out the food tray A⑬ and place it next to the food slicer.



- 3) Secure the cutting blade A⑦ to the drive unit A① by rotating the mounting centre A⑧ counter-clockwise until it stops.



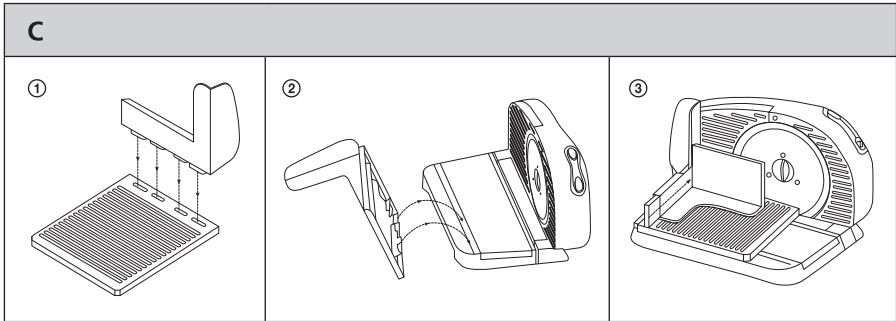
### Attention:

When handling the cutting disc use the central fastener A⑧. Do not touch the blade to avoid injury.

- 4) Using the thickness adjustment dial A⑫ set the plate A⑪ to position 0 mm. Attach the thumb guard A② to the sliding plate A④. Set the sliding plate A④ onto the hinged base plate A⑩; according to image C② so that the protrusions found on the bottom of the sliding plate A④ slide into the guide groove of the hinged base plate A⑩. The sliding plate A④ is correctly seated when it can freely move back and forward. From the side insert the food pusher A③ on to the thumb guard A②.

# Electric Food Slicer

SFS 1000WH / SFS 1001GR / SFS 1070WH / SFS 1071GR



5) Now the food slicer is ready for use.

## USING THE ELECTRIC FOOD SLICER

- 1) Using the controller A<sup>12</sup> set the plate A<sup>11</sup> to the required position.
- 2) Connect the power cord to an el. power socket.



### Attention:

Before connecting the power cord to an electrical power socket, check that the cutting disc A<sup>7</sup> is properly attached to the drive unit A<sup>1</sup>.

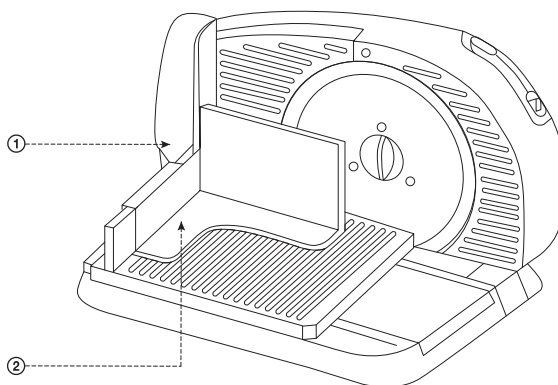
- 3) Place food on the sliding plate A<sup>4</sup> so that it is located between the food pusher A<sup>3</sup> and the plate for setting the slice thickness A<sup>11</sup>.
- 4) Use your left thumb to press the safety switch A<sup>5</sup> and hold it pressed down. Use your left index finger to press the power switch A<sup>6</sup>. The drive unit A<sup>1</sup> will start and the cutting disc A<sup>7</sup> will start to rotate. Rest your right thumb against the thumb guard A<sup>2</sup> and place the remaining fingers on the outer side of the food pusher A<sup>3</sup>. Move the sliding plate A<sup>4</sup> back and forward and move the food using the food pusher A<sup>3</sup> to the cutting disc A<sup>7</sup>. The cut slices will fall onto plate A<sup>13</sup>.

# Electric Food Slicer

SFS 1000WH / SFS 1001GR / SFS 1070WH / SFS 1071GR

EN

D



- ① Placement of the right thumb
- ② Placement of the remaining fingers on the right hand



**Note:**

If you release switch A⑥ at any time while slicing, the slicer shuts off.

If food gets stuck to the cutting disc A⑦, stop slicing and clean the cutting disc A⑦ using a plastic spatula. Before cleaning the food slicer, turn it off and disconnect it from the power outlet.

We recommend that you wet the cutting disc A⑦ before cutting cheese.

Some food may cause discolouration of plastics. However, this does not have any effect on the functionality of the food slicer.

- 5) Turn off the food slicer by releasing switches A⑤ and A⑥.
- 6) Before taking away slices or remains of sliced food, ensure that the cutting disc A⑦ has come to a complete stop.
- 7) After finishing using the appliance, disconnect it from the power socket.

# Electric Food Slicer

SFS 1000WH / SFS 1001GR / SFS 1070WH / SFS 1071GR

## CLEANING AND MAINTENANCE

- Before cleaning the appliance, always turn it off and disconnect it from the power outlet. Using the thickness adjustment dial A⑫ set the plate A⑪ to position 0 mm.
- After each use remove any food remains from the food slicer. Clean parts that come into contact with food using a wiping cloth dipped in clean water and then dry with a wiping cloth.
- For a more thorough clean, disassemble the food pusher A③, the sliding plate A④ and the cutting disc A⑦. Clean these parts using warm water and kitchen detergent. Then thoroughly rinse under flowing water and dry them.



### Note:

Disassemble the slicing blade A⑦ by turning the mounting centre A⑧ clockwise and removing it from the drive A①.



### Attention:

Pay extra attention when handling the cutting disc A⑦. Do not touch the blade to avoid injury.

- Before using again, assemble the appliance according to the instructions in chapter Assembling the electric food slicer.
- Wipe the outer surface of the drive unit and the base plate using a dry wiping cloth.
- For cleaning do not use thinners, solvents or cleaning agents that cause abrasion.

## STORAGE

- If you will not be using the appliance, store it in a dry place out of children's reach.

## TECHNICAL SPECIFICATIONS

Nominal voltage range .....	220–240 V
Nominal frequency .....	50 Hz
Rated power input .....	100 W
Safety class (for electric shock protection) .....	II
Noise level .....	69 dB(A)

The declared noise emission level for this appliance is 69 dB(A), which represents level A of the acoustic power relative to the reference acoustic power of 1 pW.

### Glossary of technical terms

Safety class for electric shock protection:

Class II – Electric shock protection is provided by double or heavy-duty insulation.

Changes to text and technical parameters are reserved.



# Electric Food Slicer

SFS 1000WH / SFS 1001GR / SFS 1070WH / SFS 1071GR

EN

## INSTRUCTIONS AND INFORMATION REGARDING THE DISPOSAL OF USED PACKAGING MATERIALS

Dispose of packaging material at a public waste disposal site.

## DISPOSAL OF USED ELECTRICAL AND ELECTRONIC EQUIPMENT



The meaning of the symbol on the product, its accessory or packaging indicates that this product shall not be treated as household waste. Please, dispose of this product at your applicable collection point for the recycling of electrical & electronic equipment waste. Alternatively in some states of the European Union or other European states you may return your products to your local retailer when buying an equivalent new product. The correct disposal of this product will help save valuable natural resources and help in preventing the potential negative impact on the environment and human health, which could be caused as a result of improper liquidation of waste. Please ask your local authorities or the nearest waste collection centre for further details. The improper disposal of this type of waste may fall subject to national regulations for fines.

### For business entities in the European Union

If you wish to dispose of an electrical or electronic device, request the necessary information from your seller or supplier.

### Disposal in other countries outside the European Union

If you wish to dispose of this product, request the necessary information about the correct disposal method from local government departments or from your seller.



This product meets all the basic EU regulation requirements that relate to it.

# Electric Food Slicer

SFS 1000WH / SFS 1001GR / SFS 1070WH / SFS 1071GR