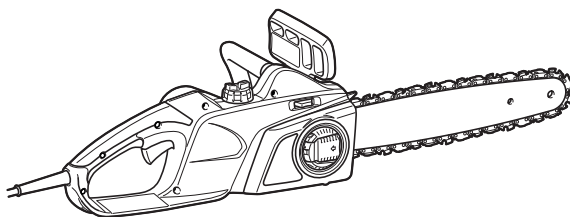




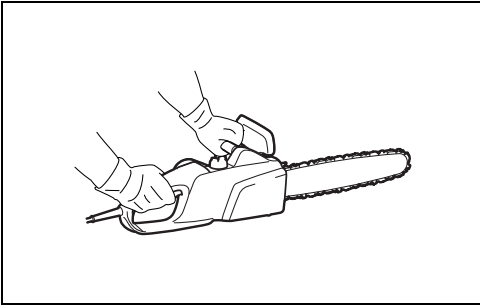
GB	Electric Chain Saw	Instruction manual
F	Tronçonneuse Électrique	Manuel d'instructions
D	Elektro-Motorsäge	Betriebsanleitung
I	Motosega elettrica	Istruzioni per l'uso
NL	Elektrische kettingzaag	Gebruiksaanwijzing
E	Electrosierra	Manual de instrucciones
P	Motosserra Elétrica	Manual de instruções
DK	Ei-kædesav	Brugsanvisning
GR	Ηλεκτρικό αλυσοπρίοο	Οδηγίες χρήσης
TR	Elektrikli Ağaç Kesim Motoru	Kullanım kılavuzu

UC3041A
UC3541A
UC4041A



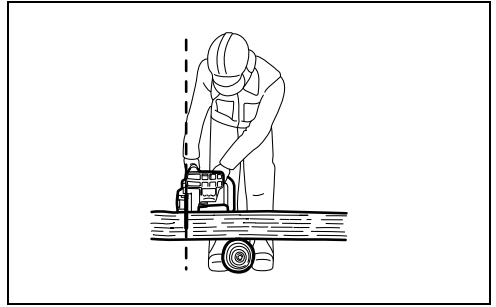
014315





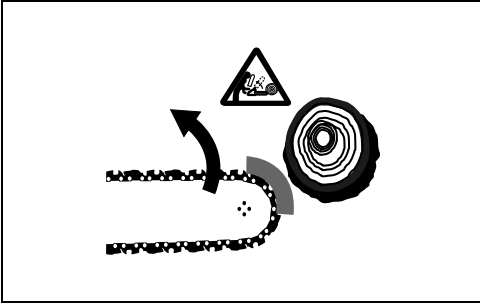
1

014316



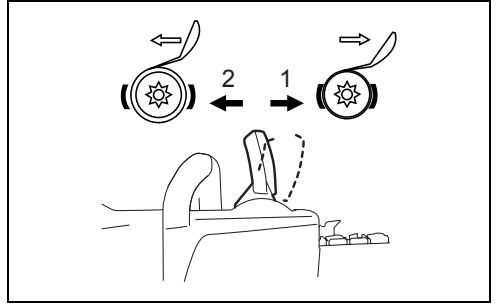
2

006909



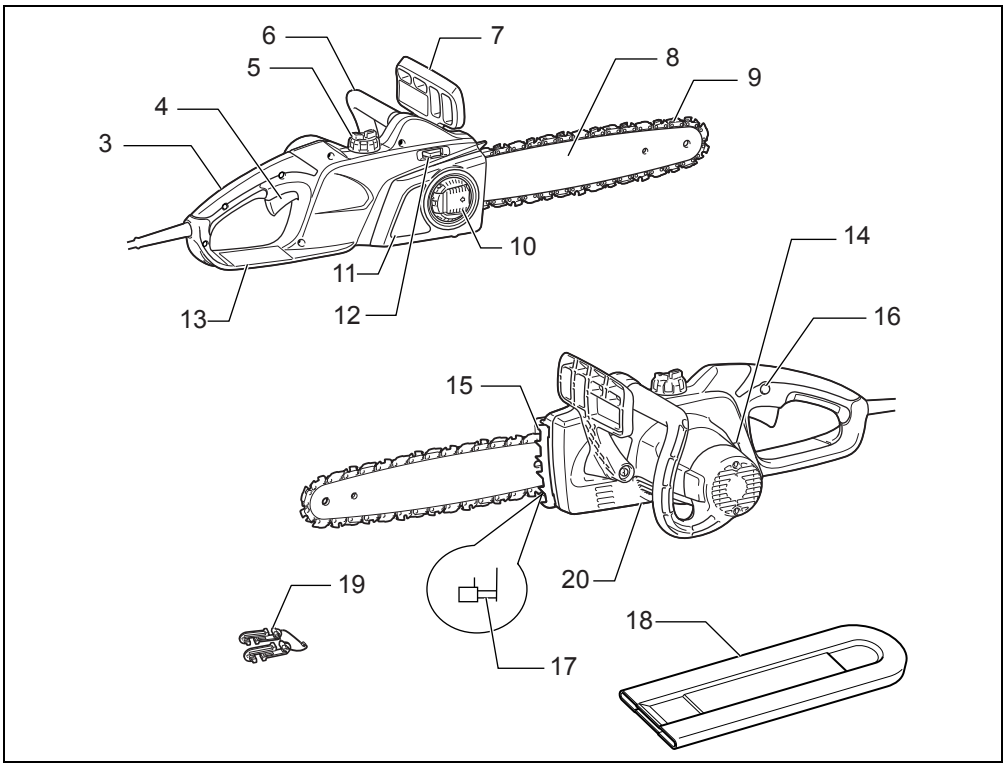
3

006919



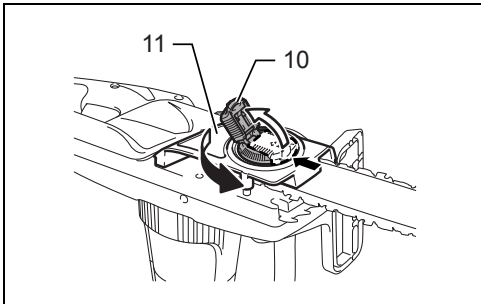
4

014317



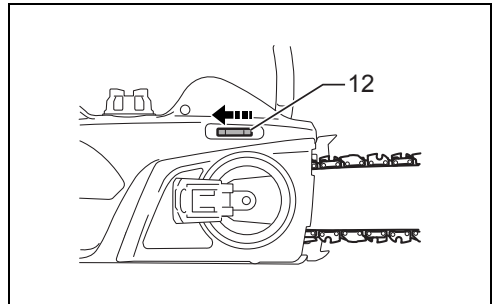
5

014318



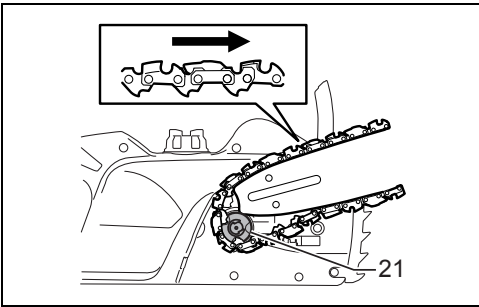
6

014342



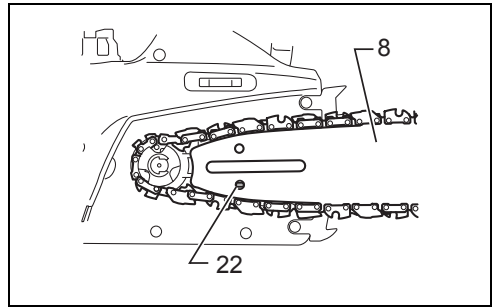
7

014324



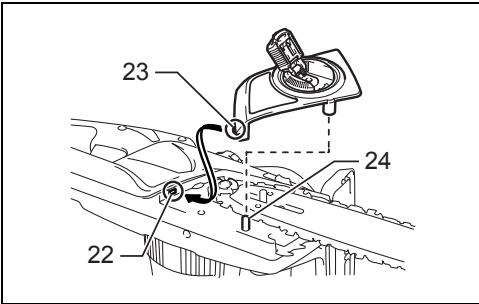
8

014323



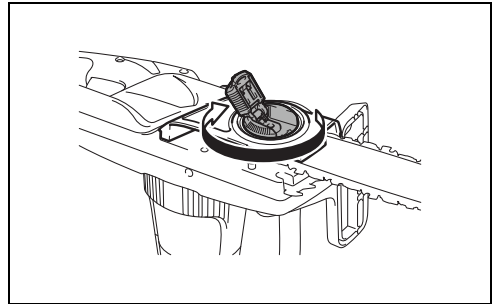
9

014422



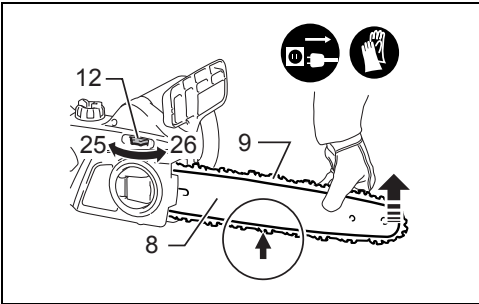
10

014325



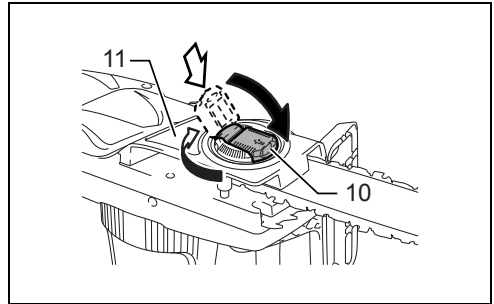
11

014326



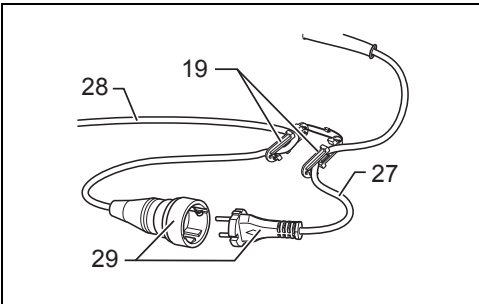
12

014678



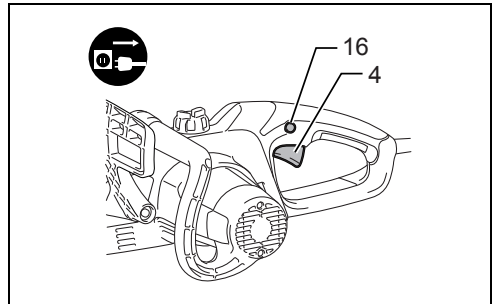
13

014343



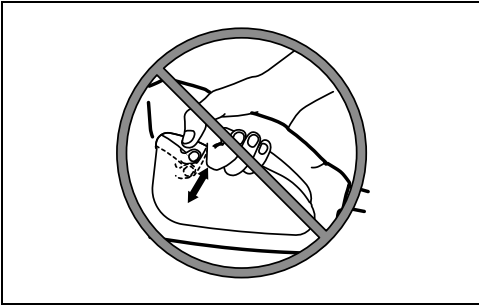
14

014359



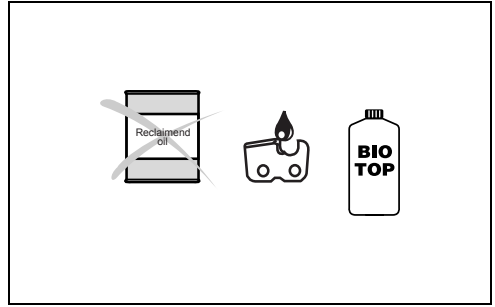
15

014320



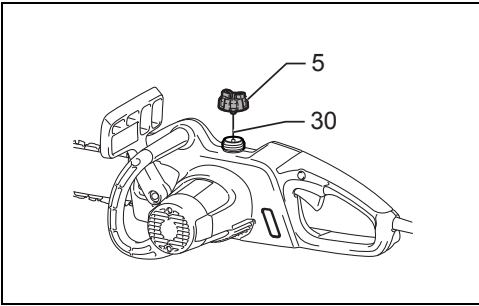
16

010373



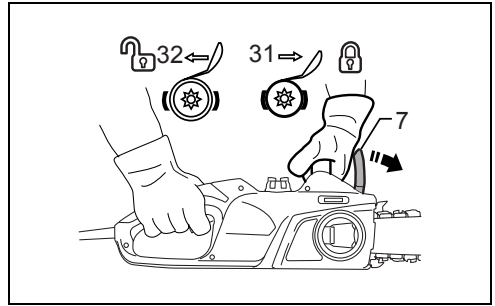
17

006921



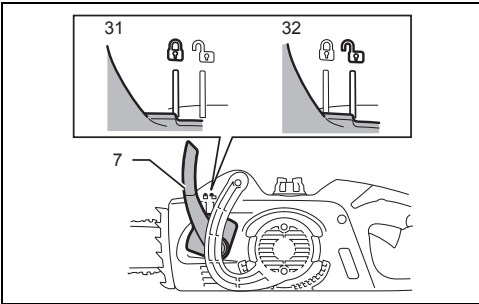
18

014330



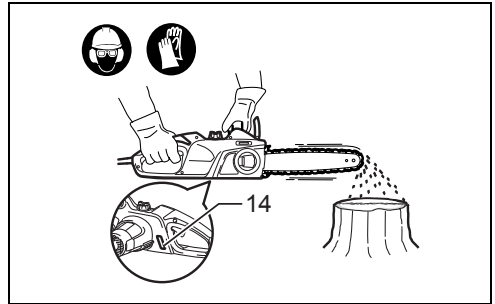
19

014331



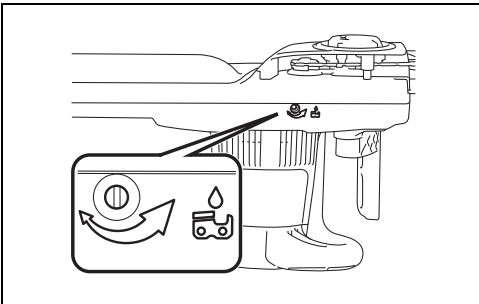
20

014438



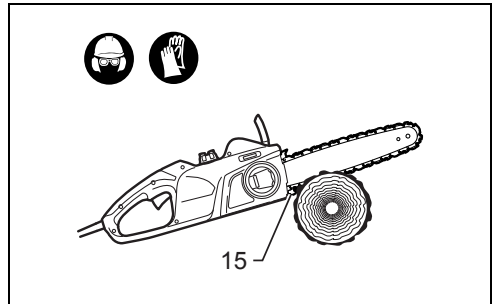
21

014332



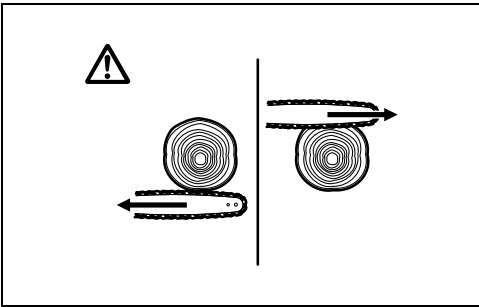
22

014341



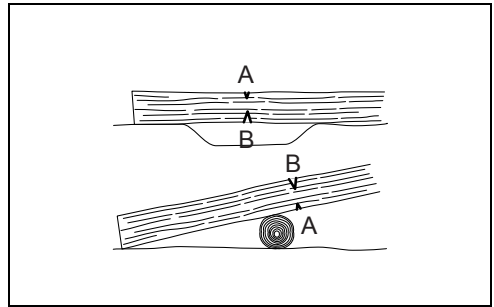
23

014333



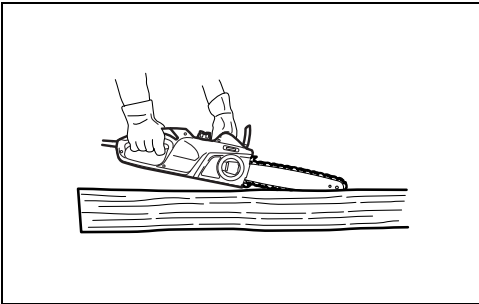
24

006914



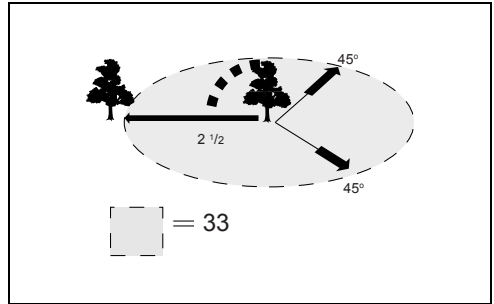
25

006915



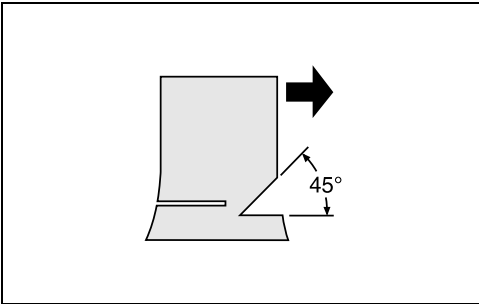
26

014334



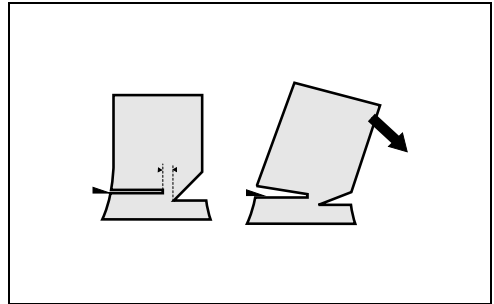
27

006917



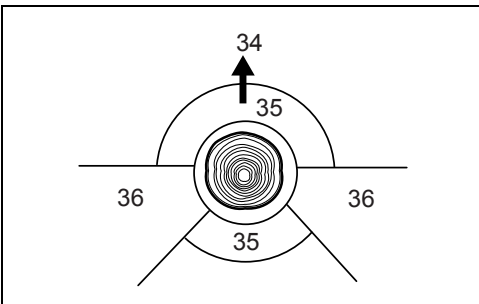
28

006918



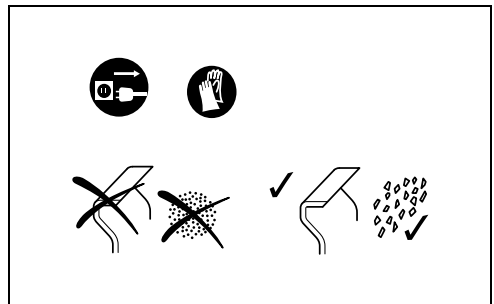
29

006923



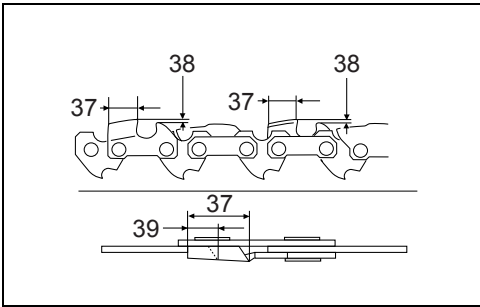
30

009202



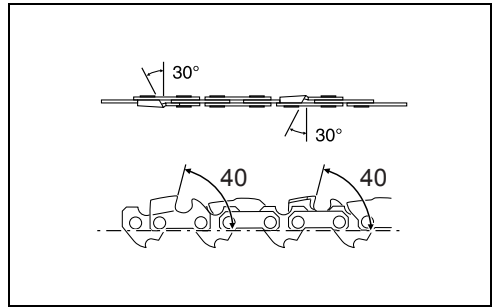
31

006924



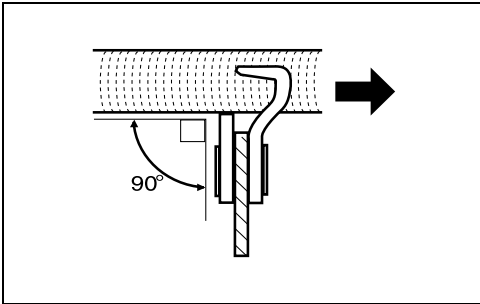
32

014335



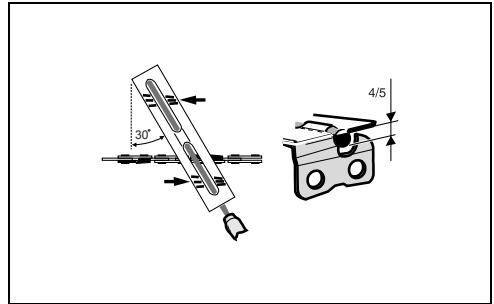
33

014338



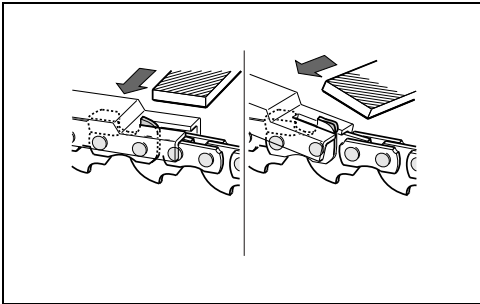
34

006927



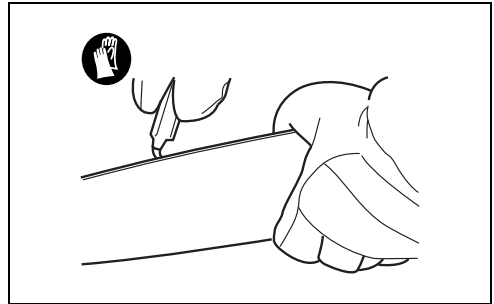
35

006928



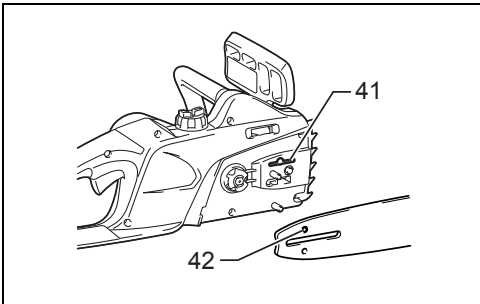
36

014344



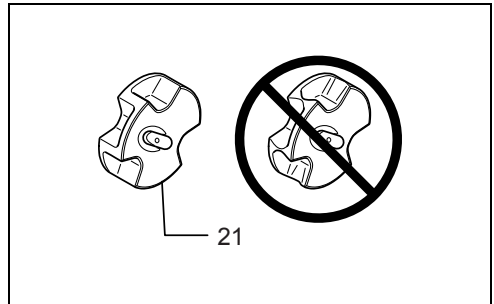
37

006930



38

014357



39

006932

ENGLISH (Original instructions)

Explanation of general view

- | | | |
|-------------------------|--|---|
| 1. Chain brake applied | 17. Chain catcher | 31. Lock |
| 2. Chain brake released | 18. Guide bar cover | 32. Unlock |
| 3. Rear handle | 19. Cord hook | 33. Felling area |
| 4. Switch trigger | 20. Adjusting screw for oil pump (at the bottom) | 34. Felling direction |
| 5. Oil filler cap | 21. Sprocket | 35. Danger zone |
| 6. Front handle | 22. Hole | 36. Escape route |
| 7. Front hand guard | 23. Hook | 37. Cutter length |
| 8. Guide bar | 24. Pin | 38. Distance between cutting edge and depth gauge |
| 9. Saw chain | 25. Loosen | 39. Minimum 3 mm |
| 10. Lever | 26. Tighten | 40. Side plate angle |
| 11. Sprocket cover | 27. Tool's cord | 41. Oil guide groove |
| 12. Adjusting dial | 28. Extension cord | 42. Oil feed hole |
| 13. Rear hand guard | 29. Plug and socket (the shape may differ from country to country) | |
| 14. Oil level sight | 30. Strap | |
| 15. Spike bumper | | |
| 16. Lock-off button | | |

SPECIFICATIONS



Model		UC3041A		UC3541A		UC4041A	
Max. chain speed		14.5 m/s (870 m/min)					
Standard guide bar	Bar length	300 mm		350 mm		400 mm	
	Cutting length	265 mm		325 mm		360 mm	
	Guide bar type	Sprocket nose bar					
Standard saw chain	Type	90PX	91PX	90PX	91PX	90PX	91PX
	Pitch	3/8"					
	No. of drive links	46		52		56	
Recommended guide bar length		300 - 400 mm					
Overall length (without guide bar)		455 mm					
Net weight		4.6 kg		4.7 kg		4.7 kg	
Extension cable (optional)		DIN 57282/HO 7RN -F L = 30 m max., 3 x 1.5 mm ²					



- Due to our continuing program of research and development, the specifications herein are subject to change without notice.
- Specifications may differ from country to country.
- Weight according to EPTA-Procedure 01/2003



Symbol


END218-7


The following show the symbols used for the equipment. Be sure that you understand their meaning before use.


  Read instruction manual and follow the warnings and safety instructions.


  Wear eye protection.


  Wear ear protection.


 DOUBLE INSULATION


 Caution: particular care and attention required!


 Caution: withdraw the mains plug immediately if the cable is damaged!


 Caution: kickback!


 Protect against rain and damp!

 Wear a helmet, goggles and ear protection!


 Wear safety gloves!

 Withdraw the mains plug!

 First aid


 Maximum permissible length of cut

 Direction of chain travel

 Chain oil

 Chain brake released

 Chain brake applied

 Prohibited!



..... Only for EU countries

Do not dispose of electric equipment together with household waste material! In observance of the European Directive, on Waste Electric and Electronic Equipment and its implementation in accordance with national law, electric equipment that have reached the end of their life must be collected separately and returned to an environmentally compatible recycling facility.

Intended use ENE085-1
The tool is intended for cutting lumbers and logs.

Power supply ENF002-2
The tool should be connected only to a power supply of the same voltage as indicated on the nameplate, and can only be operated on single-phase AC supply. They are double-insulated and can, therefore, also be used from sockets without earth wire.

For public low-voltage distribution systems of between 220 V and 250 V. ENF100-1

Switching operations of electric apparatus cause voltage fluctuations. The operation of this device under unfavorable mains conditions can have adverse effects to the operation of other equipment. With a mains impedance equal or less than 0.29 Ohms it can be presumed that there will be no negative effects. The mains socket used for this device must be protected with a fuse or protective circuit breaker having slow tripping characteristics.

General Power Tool Safety Warnings GEA010-1

⚠ WARNING Read all safety warnings and all instructions. Failure to follow the warnings and instructions may result in electric shock, fire and/or serious injury.

Save all warnings and instructions for future reference.

Chain saw safety warnings GEB037-8

1. **Keep all parts of the body away from the saw chain when the chain saw is operating. Before you start the chain saw, make sure the saw chain is not contacting anything.** A moment of inattention while operating chain saws may cause entanglement of your clothing or body with the saw chain.
2. **Always hold the chain saw with your right hand on the rear handle and your left hand on the front handle.** Holding the chain saw with a reversed hand configuration increases the risk of personal injury and should never be done.
3. **Hold the power tool by insulated gripping surfaces only, because the saw chain may contact hidden wiring or its own cord.** Saw chains contacting a "live" wire may make exposed metal parts of the power tool "live" and could give the operator an electric shock.
4. **Wear safety glasses and hearing protection.**
Further protective equipment for head, hands,

legs and feet is recommended. Adequate protective clothing will reduce personal injury by flying debris or accidental contact with the saw chain.

5. **Do not operate a chain saw in a tree.** Operation of a chain saw while up in a tree may result in personal injury.
6. **Always keep proper footing and operate the chain saw only when standing on fixed, secure and level surface.** Slippery or unstable surfaces such as ladders may cause a loss of balance or control of the chain saw.
7. **When cutting a limb that is under tension be alert for spring back.** When the tension in the wood fibres is released the spring loaded limb may strike the operator and/or throw the chain saw out of control.
8. **Use extreme caution when cutting brush and saplings.** The slender material may catch the saw chain and be whipped toward you or pull you off balance.
9. **Carry the chain saw by the front handle with the chain saw switched off and away from your body. When transporting or storing the chain saw always fit the guide bar cover.** Proper handling of the chain saw will reduce the likelihood of accidental contact with the moving saw chain.
10. **Follow instructions for lubricating, chain tensioning and changing accessories.** Improperly tensioned or lubricated chain may either break or increase the chance for kickback.
11. **Keep handles dry, clean, and free from oil and grease.** Greasy, oily handles are slippery causing loss of control.
12. **Cut wood only. Do not use chain saw for purposes not intended. For example: do not use chain saw for cutting plastic, masonry or non-wood building materials.** Use of the chain saw for operations different than intended could result in a hazardous situation.
13. **Causes and operator prevention of kickback:**
Kickback may occur when the nose or tip of the guide bar touches an object, or when the wood closes in and pinches the saw chain in the cut.
Tip contact in some cases may cause a sudden reverse reaction, kicking the guide bar up and back towards the operator.
Pinching the saw chain along the top of the guide bar may push the guide bar rapidly back towards the operator.
Either of these reactions may cause you to lose control of the saw which could result in serious personal injury. Do not rely exclusively upon the safety devices built into your saw. As a chain saw user, you should take several steps to keep your cutting jobs free from accident or injury.
Kickback is the result of tool misuse and/or incorrect operating procedures or conditions and can be avoided by taking proper precautions as given below:
 - **Maintain a firm grip, with thumbs and fingers encircling the chain saw handles, with both hands on the saw and position your body and arm to allow you to resist kickback forces.** Kickback forces can be controlled by the operator, if proper precautions are taken. Do not let go of the chain saw. (Fig. 1)

- **Do not overreach and do not cut above shoulder height.** This helps prevent unintended tip contact and enables better control of the chain saw in unexpected situations.
- **Only use replacement bars and chains specified by the manufacturer.** Incorrect replacement bars and chains may cause chain breakage and/or kickback.
- **Follow the manufacturer's sharpening and maintenance instructions for the saw chain.** Decreasing the depth gauge height can lead to increased kickback.

Protection against electric shock



The chain saw must not be used in wet weather or damp environments, as the electric motor is not waterproof.

1. Only plug the saw into sockets in tested electrical circuits. Check that the system voltage matches that on the rating plate. Ensure that a 16 A line fuse is fitted. Saws used in the open air must be connected to a residual current-operated circuit-breaker with an operating current no higher than 30 mA.



Should the connecting cable be damaged, withdraw the mains plug immediately.

ADDITIONAL SAFETY RULES

1. Read the instruction manual in order to familiarize yourself with operation of the chain saw.
2. Before using the chain saw for the first time, arrange to have instruction in its operation. If this is not possible, at least practice cutting round timber on a trestle before beginning work.
3. The chain saw must not be used by children or young persons under 18 years of age. Young persons over 16 years of age may be exempted from this restriction if they are undergoing training under the supervision of an expert.
4. Working with the chain saw requires a high level of concentration. Do not work with the saw if you are not feeling fit and well. Carry out all work calmly and carefully.
5. Never work under the influence of alcohol, drugs or medication.

Proper use

1. The chain saw is intended solely for cutting wood. Do not use it for example to cut plastic or porous concrete.
2. Only use the chain saw for operations described in this instruction manual. Do **not**, for example, use it to trim hedges or for similar purposes.
3. The chain saw must not be used for forestry work, i.e. for felling and limbing standing timber. The chain saw cable does not provide the operator with the mobility and safety required for such work.
4. The chain saw is not intended for commercial use.
5. Do not overload the chain saw.

Personal protective equipment

1. Clothing must be close-fitting, but must not obstruct mobility.
2. Wear the following protective clothing during work:
 - A tested safety helmet, if a hazard is presented by falling branches or similar;
 - A face mask or goggles;
 - Suitable ear protection (ear muffs, custom or mouldable ear plugs). Octave band analysis upon request.
 - Firm leather safety gloves;
 - Long trousers manufactured from strong fabric;
 - Protective dungarees of cut-resistant fabric;
 - Safety shoes or boots with non-slip soles, steel toes, and cut-resistant fabric lining;
 - A breathing mask, when carrying out work which produces dust (e.g. sawing dry wood).

Safe working practices

1. Before starting work, check that the chain saw is in proper working order and that its condition complies with the safety regulations. Check in particular that:
 - The chain brake is working properly;
 - The run-down brake is working properly;
 - The bar and the sprocket cover are fitted correctly;
 - The chain has been sharpened and tensioned in accordance with the regulations;
 - The mains cable and mains plug are undamaged;

Refer to the "CHECKS" section.

2. Always ensure in particular that the extension cable used is of adequate cross-section (see "SPECIFICATIONS"). When using a cable reel, wind the cable completely off the reel. When using the saw in the open air, ensure that the cable employed is intended for open-air use and is rated accordingly.
3. Keep the cord away from the cutting area and to position cord so that it will not be caught on branches, and the like, during cutting.
4. Do not operate the chain saw in the vicinity of flammable dust or gases, as the motor generates sparks and presents a **risk of explosion**.
5. Work only on firm ground and with a good footing. Pay particular attention to obstacles (e.g. the cable) in the working area. Take particular care where moisture, ice, snow, freshly cut wood or bark may make surfaces slippery. Do not stand on ladders or trees when using the saw.
6. Take particular care when working on sloping ground; rolling trunks and branches pose a potential hazard.
7. Never cut above shoulder height.
8. **Hold the chain saw with both hands when switching it on and using it.** Hold the rear handle with your right hand and the front handle with your left. Hold the handles firmly with your thumbs. The bar and the chain must not be in contact with any objects when the saw is switched on. **(Fig. 1)**
9. Clean the area to be cut of foreign objects such as sand, stones, nails, wire, etc. Foreign objects damage the bar and chain, and can lead to dangerous kickback.
10. Take particular care when cutting in the vicinity of wire fences. Do not cut into the fence, as the saw may kick back.
11. Do not cut into the ground.
12. Cut pieces of wood singly, not in bunches or stacks.
13. Avoid using the saw to cut thin branches and roots, as these can become entangled in the chain saw. Loss of balance presents a hazard.

14. Use a secure support (trestle) when cutting sawn timber.
15. Do not use the chain saw to prise off or brush away pieces of wood and other objects.
16. Guide the chain saw such that no part of your body is within the extended path of the saw chain (see figure). (Fig. 2)
17. When moving around between sawing operations, apply the chain brake in order to prevent the chain from being operated unintentionally. Hold the chain saw by the front handle when carrying it, and do not keep your finger on the switch.
18. Withdraw the mains plug when taking breaks or leaving the chain saw unattended. Leave the chain saw where it cannot present a hazard.

Kickback

1. Hazardous kickback may arise during work with the chain saw. Kickback arises when the tip of the bar (in particular the upper quarter) comes into contact with wood or another solid object. This causes the chainsaw to be deflected in the direction of the operator. (Fig. 3)
2. In order to avoid kickback, observe the following:
 - Never begin the cut with the tip of the bar.
 - Never use the tip of the bar for cutting. Take particular care when resuming cuts which have already been started.
 - Start the cut with the chain running.
 - Always sharpen the chain correctly. In particular, set the depth gauge to the correct height.
 - Never saw through several branches at a time.
 - When limbing, take care to prevent the bar from coming into contact with other branches.
 - When bucking, keep clear of adjacent trunks. Always observe the bar tip.
 - Use a trestle.

Safety features

1. Always check that the safety features are in working order before starting work. Do not use the chain saw if the safety features are not working properly.
- **Chain brake:**
The chain saw is fitted with a chain brake which brings the saw chain to a standstill within a fraction of a second. It is activated when the hand guard is pushed forwards. The saw chain then stops within 0.15 s, and the power supply to the motor is interrupted. (Fig. 4)
 - **Run-down brake:**
The chain saw is equipped with an run down brake which brings the saw chain to an immediate stop when the ON/OFF switch is released. This prevents the saw chain from running on when switched off, and thus presenting a hazard.
 - The **front and rear hand guards** protect the user against injury from pieces of wood which may be thrown backwards, or a broken saw chain.
 - The **trigger lockout** prevents the chain saw from being switched on accidentally.
 - The **chain catcher** protects the user against injury should the chain jump or break.

Transport and storage



When the chain saw is not in use or is being transported, withdraw the mains plug and fit the guide bar cover supplied with the saw. Never carry or transport the saw with the saw chain running.

1. Carry the chain saw by the front handle only, with the bar pointing backwards.
2. Keep the chain saw in a secure, dry and locked room out of the reach of children. Do not store the chain saw outdoors.

Maintenance

1. Withdraw the plug from the socket before carrying out any adjustments or maintenance.
2. Check the power cable regularly for damage to the insulation.
3. Clean the chain saw regularly.
4. Have any damage to the plastic housing repaired properly and immediately.
5. Do not use the saw if the switch trigger is not working properly. Have it properly repaired.
6. Under no circumstances should any modifications be made to the chain saw. Your safety is at risk.
7. Do not carry out maintenance or repair work other than that described in this instruction manual. Any other work must be carried out by authorized service centers.
8. Only use genuine replacement parts and accessories intended for your model of saw. The use of other parts increases the risk of accident.
9. We accept no responsibility for accidents or damage should non-approved bars, saw chains or other replacement parts or accessories be used.

First aid



Do not work alone. Always work within shouting distance of a second person.

1. Always keep a first-aid box to hand. Replace any items taken from it immediately.
2. Should you request assistance in the event of an accident, state the following:
 - Where did the accident happen?
 - What happened?
 - How many persons are injured?
 - What injuries do they have?
 - Who is reporting the accident?

NOTE:

Individuals with poor circulation who are exposed to excessive vibration may experience injury to blood vessels or the nervous system.

Vibration may cause the following symptoms to occur in the fingers, hands or wrists: "Falling asleep" (numbness), tingling, pain, stabbing sensation, alteration of skin colour or of the skin.

If any of these symptoms occur, see a physician!

SAVE THESE INSTRUCTIONS.



WARNING:

DO NOT let comfort or familiarity with product (gained from repeated use) replace strict adherence to safety rules for the subject product. MISUSE or failure to

follow the safety rules stated in this instruction manual may cause serious personal injury.

DESIGNATION OF PARTS (Fig. 5)

ASSEMBLY

CAUTION:

- Always be sure that the tool is switched off and unplugged before carrying out any work on the tool.

Removing or installing saw chain

CAUTION:

- Always wear gloves when installing or removing the saw chain.

To remove the saw chain, perform the following steps:

1. Press and fully open the lever until it stops. (Fig. 6)
2. Turn the lever counterclockwise to loosen the sprocket cover until it comes off.
3. Turn the adjusting dial to “-” direction to release the saw chain tension. (Fig. 7)
4. Remove the sprocket cover.
5. Remove the saw chain and guide bar from the chain saw.

To install the saw chain, perform the following steps:

6. Make sure the direction of the chain. The arrow mark on the chain shows the direction of the chain. (Fig. 8)
7. Fit in one end of the saw chain on the top of the guide bar and the other end of it around the sprocket.
8. Rest the guide bar in place on the chain saw.
9. Align the tension slide with the hole of the guide bar. (Fig. 9)
10. Holding the guide bar, and turn the adjusting dial to “+” direction to adjust the saw chain tension.
11. Place the sprocket cover so that the hooks fit alongside the holes and the pin fits its counterpart on the sprocket cover. (Fig. 10)
12. Turn the lever clockwise to secure the sprocket cover. (Fig. 11)
13. Press and return the lever to its original position.

Adjusting saw chain tension

The saw chain may become loose after many hours of use. From time to time check the saw chain tension before use.

1. Press and fully open the lever until it clicks. Turn it counterclockwise a little to loosen sprocket cover lightly. (Fig. 6)
2. Lift up the guide bar tip slightly. (Fig. 12)
3. Turn the adjusting dial to adjust the saw chain tension. Tighten the saw chain until the lower side of the saw chain fits in the guide bar rail (see circle).
4. Keep holding the guide bar lightly, tighten the sprocket cover after adjusting the chain tension. Make sure that the saw chain does not loose at lower side.
5. Press and return the lever to its original position. (Fig. 13)

Make sure the saw chain fits snugly against the lower side of the bar.

CAUTION:

- Do not tighten the saw chain too much. Excessively high tension of saw chain may cause breakage of saw

chain, wear of the guide bar and breakage of the adjusting dial.

- A chain which is too loose can jump off the bar, and therefore presents an accident risk.
- Carry out the procedure of installing or removing saw chain in a clean place free from sawdust and the like.

Engaging extension cord

CAUTION:

- Make sure that the extension cord is unplugged to the mains outlet. (Fig. 14)

When engaging the extension cord, secure it to the chain saw's cord with the cord hook.

Attach the cord hook about 100 - 200 mm from the extension cord connector. This helps prevent unintentional disconnection.

OPERATION

Switch action (Fig. 15)

CAUTION:

- Always be sure that the tool is switched off and unplugged before checking function on the switch trigger.
- Before plugging in the tool, always check to see that the switch trigger actuates properly and returns to the “OFF” position when released.

NOTE:

- Do not turn on and off too often within a short time (five seconds or less). The temperature inside the tool will rise and may cause the tool damage. The time varies by atmosphere temperature and other conditions. (Fig. 16)

To prevent the switch trigger from being accidentally pulled, a lock-off button is provided.

To start the tool, depress the lock-off button and pull the switch trigger. Release the switch trigger to stop.

Lubrication

CAUTION:

- Always be sure that the tool is switched off and unplugged before lubricating the saw chain.

Lubricate the saw chain and bar using biologically degradable saw chain oil with an adhesion agent. The adhesion agent in the saw chain oil prevents the oil from being thrown off the saw excessively quickly. Mineral oils must not be used, as they are harmful to the environment. (Fig. 17)

CAUTION:

- Prevent the oil from coming into contact with the skin and eyes. Contact with the eyes causes irritation. In the event of eye contact, flush the affected eye immediately with clear water, then consult a doctor at once.
- Never use waste oil. Waste oil contains carcinogenic substances. The contaminants in waste oil cause accelerated wear of the oil pump, the bar and the chain. Waste oil is harmful to the environment.
- When filling the chain saw with chain oil for the first time, or refilling the tank after it has been completely

emptied, add oil up to the bottom edge of the filler neck. The oil delivery may otherwise be impaired.

To fill the oil, perform the following steps: (Fig. 18)

1. Clean the area around the oil filler cap thoroughly to prevent any dirt from entering the oil tank.
2. Unscrew the oil filler cap and add oil up to the lower edge of the filler neck.
3. Screw the oil filler cap firmly back in place.
4. Wipe away any spill chain oil carefully.

NOTE:

- When the chain saw is used for the first time, it may take up to two minutes for the saw chain oil to begin its lubricating effect upon the saw mechanism. Run the saw without load until it does so (see "CHECKS").

CHECKS

Before starting work, carry out the following checks:

Checking the chain tension

⚠ WARNING:

- Always withdraw the mains plug before checking the chain tension, and wear safety gloves.
- Make sure the saw chain fits snugly against the lower side of the bar (see circle). (Fig. 12)
- Check the chain tension frequently, as new chains are subject to elongation.
- Excessively high tension of saw chain may cause breakage of saw chain, wear of the guide bar and breakage of the adjusting dial.
- A chain which is too loose can jump off the bar, and therefore presents an accident risk.
- If the chain is too loose: Refer to the section titled "Adjusting saw chain tension" and adjust the saw chain tension again.

Checking the switch action

⚠ CAUTION:

- Before plugging in the tool, always check to see that the switch trigger actuates properly and returns to the "OFF" position when released.
- To prevent the switch trigger from being accidentally pulled, a lock-off button is provided.
- To start the tool, depress the lock-off button and pull the switch trigger. Release the switch trigger to stop.
- Do not pull the switch trigger hard without depressing the lock-off button. This may cause switch breakage.

Checking the chain brake

NOTE:

- If the chain saw fails to start, check whether the chain brake is released. To release the chain brake, pull the hand guard backwards firmly until you feel it engage. (Fig. 19 & 20)
- Check the chain brake as follows:
1. Hold the chain saw with both hands when switching it on. Hold the rear handle with your right hand, the front handle with your left. Make sure that the bar and the chain do not contact with any object.
 2. First press the lock-off button, then the switch trigger. The saw chain starts immediately.

3. Press the front hand guard forwards using the back of your hand. Make sure that the saw chain comes to an immediate standstill.

⚠ CAUTION:

- If the saw chain does not stop immediately, do not use the saw under any circumstances. Consult Makita authorized service centers.

Checking the run-down brake

Switch on the chain saw.

Release the switch trigger completely. Make sure the saw chain comes to a standstill within a second.

⚠ CAUTION:

- If the saw chain does not stop immediately, do not use the saw under any circumstances. Consult Makita authorized service centers.

Checking the chain oiler

Before starting work, check the oil level in the tank, and the oil delivery.

The oil level can be seen in the oil level sight shown in the figure. (Fig. 21)

Check the oil delivery as follows:

Start the chain saw.

With the saw running, hold the saw chain approximately 15 cm above a tree trunk or the ground. If lubrication is adequate, the oil spray will produce a light oil trace. Observe the wind direction, and do not expose yourself to the oil spray unnecessarily.

⚠ CAUTION:

- If an oil trace is not formed, do not use the saw. The lifespan of the chain will otherwise be reduced. Check the oil level. Clean the oil feed groove and the oil feed hole in the bar (refer to "MAINTENANCE").

Adjusting the chain lubrication (Fig. 22)

You can adjust the oil pump feed rate with the adjusting screw.

⚠ CAUTION:

- Always use a front handle and rear handle and firmly hold the tool by both front handle and rear handle during operations.
- Always secure the timber to be cut, otherwise the cut fragments may cause personal injury.

WORKING WITH THE CHAIN SAW

Bucking (Fig. 23)

For bucking cuts, rest the spike bumper shown in the figure on the wood to be cut.

With the saw chain running, saw into the wood, using the rear handle to raise the saw and the front one to guide it. Use the spike bumper as a pivot.

Continue the cut by applying slight pressure to the front handle, easing the saw back slightly. Move the spike bumper further down the timber and raise the front handle again.

When making several cuts, switch the chain saw off between cuts.

CAUTION:

- If the upper edge of the bar is used for cutting, the chain saw may be deflected in your direction if the chain becomes trapped. For this reason, cut with the lower edge, so that the saw will be deflected away from your body. (Fig. 24)

Cut wood under tension on the pressure side (A) first. Then make the final cut on the tension side (B). This prevents the bar from becoming trapped. (Fig. 25)

Limbing

CAUTION:

- Limbing may only be performed by trained persons. A hazard is presented by the risk of kick-back.

When limbing, support the chain saw on the trunk if possible. Do not cut with the tip of the bar, as this presents a risk of kickback.

Pay particular attention to branches under tension. Do not cut unsupported branches from below.

Do not stand on the felled trunk when limbing.

Burrowing and parallel-to-grain cuts

CAUTION:

- Burrowing and parallel-to-grain cuts may only be carried out by persons with special training. The possibility of kickback presents a risk of injury.

Perform parallel-to-grain cuts at as shallow an angle as possible. Carry out the cut as carefully as possible, as the spike bumper cannot be used. (Fig. 26)

Felling

CAUTION:

- Felling work may only be performed by trained persons. The work is hazardous.

Observe local regulations if you wish to fell a tree.

(Fig. 27)

- Before starting felling work, ensure that:
 - (1) Only persons involved in the felling operation are in the vicinity;
 - (2) Any person involved has an unhindered path of retreat through a range of approximately 45° either side of the felling axis. Consider the additional risk of tripping over electrical cables;
 - (3) The base of the trunk is free of foreign objects, roots and ranches;
 - (4) No persons or objects are present over a distance of 2 1/2 tree lengths in the direction in which the tree will fall.
- Consider the following with respect to each tree:
 - Direction of lean;
 - Loose or dry branches;
 - Height of the tree;
 - Natural overhang;
 - Whether or not the tree is rotten.
- Consider the wind speed and direction. Do not carry out felling work if the wind is gusting strongly.
- Trimming of root swellings: Begin with the largest swellings. Make the vertical cut first, then the horizontal cut.
- Cut a scarf: The scarf determines the direction in which the tree will fall, and guides it. It is made on the side towards which the tree is to fall. Cut the scarf as close

to the ground as possible. First make the horizontal cut to a depth of 1/5 -1/3 of the trunk diameter. Do not make the scarf too large. Then make the diagonal cut.

(Fig. 28)

- Cut any corrections to the scarf across its entire width.
- Make the back cut a little higher than the base cut of the scarf. The back cut must be exactly horizontal. Leave approximately 1/10 of the trunk diameter between the back cut and the scarf. The wood fibers in the uncut trunk portion act as a hinge. Do not cut right through the fibers under any circumstances, as the tree will otherwise fall unchecked. Insert wedges into the back cut in time. (Fig. 29)
- Only plastic or aluminum wedges may be used to keep the back cut open. The use of iron wedges is prohibited.
- Stand to the side of the falling tree. Keep an area clear to the rear of the falling tree up to an angle of 45° either side of the tree axis (refer to the “felling area” figure). Pay attention to falling branches.
- An escape path should be planned and cleared as necessary before cuts are started. The escape path should extend back and diagonally to the rear of the expected line of fall as illustrated in figure. (Fig. 30)

MAINTENANCE

CAUTION:

- Always be sure that the tool is switched off and unplugged before attempting to perform inspection or maintenance.
- Always wear gloves when performing any inspection or maintenance.
- Never use gasoline, benzine, thinner, alcohol or the like. Discoloration, deformation or cracks may result.

Carry out the maintenance work described below at regular intervals. Warranty claims will be accepted only if these operations have been performed regularly and properly.

Only maintenance work described in this instruction manual may be performed by the user. Any other work must be carried out by MAKITA authorized service centers.

Cleaning the chain saw

Clean the saw regularly with a clean rag. The handles, in particular, must be kept free of oil.

Checking the plastic housing

Carry out regular visual inspections of all parts of the housing. If any parts are damaged, have them repaired immediately and properly in MAKITA authorized service centers.

Sharpening the saw chain

CAUTION:

- Always withdraw the mains plug and wear safety gloves when performing work on the saw chain.

Sharpen the saw chain when: (Fig. 31)

- Mealy sawdust is produced when damp wood is cut;
- The chain penetrates the wood with difficulty, even when heavy pressure is applied;

- The cutting edge is obviously damaged;
- The saw pulls to the left or right in the wood. The reason for this behavior is uneven sharpening of the saw chain, or damage to one side only.

Sharpen the saw chain frequently, but remove only a little material each time.

Two or three strokes with a file are usually sufficient for routine reshaping. When the saw chain has been reshaped several times, have it sharpened in MAKITA authorized service center.

Sharpening criteria:

- All cutter length must be equal. Cutters of differing length prevent the chain from running smoothly, and may cause the chain to break.
- Do not sharpen the chain once a minimum cutter length of 3 mm has been reached. A new chain must then be fitted.
- The chip thickness is determined by the distance between the depth gauge (round nose) and the cutting edge.
- The best cutting results are obtained with following distance between cutting edge and depth gauge.
 - Chain blade 90PX: 0.5 mm
 - Chain blade 91PX: 0.65 mm (Fig. 32)

⚠ WARNING:

- An excessive distance increases the risk of kick-back.
- The sharpening angle of 30° must be the same on all cutters. Differences in angle cause the chain to run roughly and unevenly, accelerate wear, and lead to chain breaks.
- The side plate angle of the cutter is determined by the depth of penetration of the round file. If the specified file is used properly, the correct side plate angle is produced automatically.
- Side plate angle for each saw chain are as follows:
 - Chain blade 90PX: 75°
 - Chain blade 91PX: 80° (Fig. 33)

File and file guiding

- Use a special round file (optional accessory) for saw chains to sharpen the chain. Normal round files are not suitable.
- Diameter of the round file for each saw chain is as follows:
 - Chain blade 90PX: 4.5 mm
 - Chain blade 91PX: 4.0 mm
- The file should only engage the cutter on the forward stroke. Lift the file off the cutter on the return stroke.
- Sharpen the shortest cutter first. Then the length of this shortest cutter becomes the standard for all other cutters on the saw chain.
- Guide the file as shown in the figure. (Fig. 34)
- The file can be guided more easily if a file holder (optional accessory) is employed. The file holder has markings for the correct sharpening angle of 30° (align the markings parallel to the saw chain) and limits the depth of penetration (to 4/5 of the file diameter). (Fig. 35)
- After sharpening the chain, check the height of the depth gauge using the chain gauge tool (optional accessory). (Fig. 36)
- Remove any projecting material, however small, with a special flat file (optional accessory).

- Round off the front of the depth gauge again.

Cleaning the guide bar and lubricating the return sprocket

⚠ CAUTION:

- Always wear safety gloves for this task. Burrs present a risk of injury.

Check the running surfaces of the bar regularly for damage. Clean using a suitable tool, and remove burrs if necessary. (Fig. 37)

If the chain saw receives frequent use, lubricate the return sprocket bearing at least once a week. Before adding new fresh grease, carefully clean the 2 mm hole on the tip of the guide bar, then force a small quantity of multi-purpose grease (optional accessory) into the hole.

Cleaning the oil guide (Fig. 38)

- Clean the oil guide groove and the oil feed hole in the bar at regular intervals.

New saw chains

Use two or three saw chains alternately, so that the saw chain, sprocket and running surfaces of the bar wear evenly.

Turn the bar over when changing the chain so that the bar groove wears evenly.

⚠ CAUTION:

- Only use chains and bars which are approved for this model of saw (refer to "SPECIFICATIONS").

Before fitting a new saw chain, check the condition of the sprocket. (Fig. 39)

⚠ CAUTION:

- A worn sprocket damages a new saw chain. Have the sprocket replaced in this case.

Always fit a new locking ring when replacing the sprocket.

Maintaining the chain and run-down brakes

The braking systems are very important safety features. Like any other component of the chain saw, they are subject to a certain degree of wear. They must be inspected regularly by MAKITA authorized service centers. This measure is for your own safety.

Storing tool

Biologically degradable saw chain oil can only be kept for a limited period. Beyond two years after manufacture, biological oils begin to acquire an adhesive quality, and cause damage to the oil pump and components in the lubricating system.

- Before taking the chain saw out of service for a longer period, empty the oil tank and fill it with a small quantity of engine oil (SAE 30).
- Run the chain saw briefly to flush all residue of the biological oil out of the tank, lubricating system and saw mechanism.

NOTE:

- When the chain saw is taken out of service, small quantities of chain oil leaks from it for some time afterwards. This is normal, and is not a sign of a fault. Store the chain saw on a suitable surface.

Before returning the chain saw to service, fill up with fresh BIOTOP saw chain oil.

To maintain product SAFETY and RELIABILITY, repairs, carbon brush inspection and replacement, any other maintenance or adjustment should be performed by Makita Authorized Service Centers, always using Makita replacement parts.

TROUBLE SHOOTING

Before asking for repairs, conduct your own inspection first. If you find a problem that is not explained in the manual, do not attempt to dismantle the tool. Instead, ask Makita Authorized Service Centers.

Malfunction status	Possible cause	Remedy
The chain saw does not start.	No power supply.	Connect to the power supply. Check the power supply.
	Cable defective.	Stop using the tool immediately, and ask your local authorized service center.
	Tool malfunction.	Stop using the tool immediately, and ask your local authorized service center.
Chain does not run.	Chain brake is engaged.	Release chain brake.
Insufficient performance.	Carbon brush worn down.	Ask your local authorized service center for repair.
No oil on the chain.	Oil tank is empty.	Fill the oil tank.
	Oil guide groove is dirty.	Clean the groove.
	Oil pump adjusting screw incorrectly adjusted.	Adjust the oil pump feed rate.
Chain does not stop even the chain brake is engaged.	Brake band worn down.	Stop using the tool immediately, and ask your local authorized service center.
The tool vibrates abnormally.	Loose guide bar or saw chain.	Adjust the guide bar and saw chain tension.
	Tool malfunction.	Stop using the tool immediately, and ask your local authorized service center.

014314

OPTIONAL ACCESSORIES

CAUTION:

- These accessories or attachments are recommended for use with your Makita tool specified in this manual. The use of any other accessories or attachments might present a risk of injury to persons. Only use accessory or attachment for its stated purpose.

If you need any assistance for more details regarding these accessories, ask your local Makita Service Center.

- Saw chain
- Guide bar cover
- Guide bar
- Chain gauge
- Round file 4.0 mm
- Round file 4.5 mm
- Flat file
- File holder with 4.0 mm file
- File holder with 4.5 mm file
- File handle
- Saw chain oil
- Multi-purpose grease
- Grease gun

NOTE:

- Some items in the list may be included in the tool package as standard accessories. They may differ from country to country.

Noise

ENG905-1

The typical A-weighted noise level determined according to EN60745:

- Sound pressure level (L_{pA}): 90.3 dB (A)
- Sound power level (L_{WA}): 101.3 dB (A)
- Uncertainty (K): 2.5 dB (A)

Wear ear protection.

Vibration

ENG900-1

The vibration total value (tri-axial vector sum) determined according to EN60745:

- Work mode: cutting wood
- Vibration emission (a_h): 4.7 m/s²
- Uncertainty (K): 1.5 m/s²

ENG901-1

- The declared vibration emission value has been measured in accordance with the standard test method and may be used for comparing one tool with another.
- The declared vibration emission value may also be used in a preliminary assessment of exposure.

WARNING:

- The vibration emission during actual use of the power tool can differ from the declared emission value depending on the ways in which the tool is used.
- Be sure to identify safety measures to protect the operator that are based on an estimation of exposure in the actual conditions of use (taking account of all parts of the operating cycle such as the times when the tool is switched off and when it is running idle in addition to the trigger time).

For European countries only

ENH021-8

EC Declaration of Conformity

Makita declares that the following Machine(s):

Designation of Machine:

Chain Saw

Model No./Type: UC3041A, UC3541A, UC4041A

Specifications: see "SPECIFICATIONS" table.

Conforms to the following European Directives:

2000/14/EC, 2006/42/EC

They are manufactured in accordance with the following Standard or standardized documents:

EN60745

The Technical file in accordance with 2006/42/EC is available from:

Makita, Jan-Baptist Vinkstraat 2, 3070, Belgium

The conformity assessment procedure required by Directive 2000/14/EC was in Accordance with annex V.

Measured Sound Power Level: 102.2 dB (A)

Guaranteed Sound Power Level: 104 dB (A)

26. 4. 2013



Yasushi Fukaya
Director

Makita, Jan-Baptist Vinkstraat 2, 3070, Belgium

FRANÇAIS (Instructions d'origine)

Descriptif

- | | | |
|--|---|---|
| 1. Frein de chaîne serré | 16. Bouton de sécurité | 31. Verrouiller |
| 2. Frein de chaîne desserré | 17. Attrape-chaîne | 32. Déverrouiller |
| 3. Poignée arrière | 18. Protecteur de guide-chaîne | 33. Zone d'abattage |
| 4. Gâchette | 19. Crochet du cordon | 34. Sens d'abattage |
| 5. Bouchon de remplissage d'huile | 20. Vis de réglage pour la pompe à huile (en bas) | 35. Zone de danger |
| 6. Poignée avant | 21. Pignon | 36. Chemin d'évacuation |
| 7. Carter de protection de la poignée avant | 22. Orifice | 37. Longueur des arêtes |
| 8. Guide-chaîne | 23. Crochet | 38. Distance entre la face de coupe et la jauge de profondeur |
| 9. Chaîne | 24. Broche | 39. 3 mm au minimum |
| 10. Levier | 25. Desserrer | 40. Angle d'attaque latérale |
| 11. Carter du pignon | 26. Serrer | 41. Rainure de guidage d'huile |
| 12. Cadran de réglage | 27. Cordon d'alimentation de l'outil | 42. Orifice de débit d'huile |
| 13. Carter de protection de la poignée arrière | 28. Rallonge électrique | |
| 14. Viseur du niveau d'huile | 29. Fiche et prise (la forme peut différer d'un pays à l'autre) | |
| 15. Butée à crampons | 30. Bandoulière | |

SPÉCIFICATIONS

Modèle		UC3041A	UC3541A	UC4041A
Vitesse max. de la chaîne		14,5 m/s (870 m/min)		
Guide-chaîne standard	Longueur du guide	300 mm	350 mm	400 mm
	Longueur de coupe	265 mm	325 mm	360 mm
	Type de guide-chaîne	Guide à pignon de renvoi		
Chaîne standard	Type	90PX	91PX	90PX 91PX
	Hauteur	3/8"		
	Nombre de maillons d'entraînement	46	52	56
Longueur recommandée du guide-chaîne		300 - 400 mm		
Longueur totale (sans guide-chaîne)		455 mm		
Poids net		4,6 kg	4,7 kg	4,7 kg
Cordon prolongateur (en option)		DIN 57282/HO 7RN -F L = 30 m max., 3 x 1,5 mm ²		

- Étant donné l'évolution constante de notre programme de recherche et de développement, les spécifications contenues dans ce manuel sont sujettes à des modifications sans préavis.
- Les spécifications peuvent varier suivant les pays.
- Poids conforme à la procédure EPTA 01/2003

Symbole

END218-7

Les symboles utilisés pour l'appareil sont indiqués ci-dessous. Assurez-vous d'avoir bien compris leur signification avant d'utiliser l'appareil.



..... Veuillez lire le mode d'emploi et respecter les mises en garde et consignes de sécurité.



..... Portez des lunettes de protection.



..... Portez des protections auditives.



..... DOUBLE ISOLATION



..... Attention : la prudence et une attention particulière sont exigées !



..... Attention : débranchez immédiatement l'outil si son cordon est endommagé !



..... Attention : choc en retour !



..... Protégez l'outil contre la pluie et l'humidité !



..... Portez un casque protecteur, des lunettes de sécurité et des protections d'oreilles !



..... Portez des gants de travail !



..... Débranchez l'outil !



..... Premiers soins



..... Longueur maximale de coupe permise



..... Sens de rotation de la chaîne



..... Huile à chaîne



Frein de chaîne desserré



Frein de chaîne serré

Interdit !



Pour les pays européens uniquement
Ne pas jeter les appareils électriques dans les ordures ménagères !
Conformément à la directive européenne relative aux déchets d'équipements électriques et électroniques (DEEE), et à sa transposition dans la législation nationale, les appareils électriques doivent être collectés à part et être soumis à un recyclage respectueux de l'environnement.

Utilisations

ENE085-1

L'outil est conçu pour la coupe du petit bois d'œuvre et des rondins.

Alimentation

ENF002-2

L'outil ne doit être raccordé qu'à une alimentation de la même tension que celle qui figure sur la plaque signalétique, et il ne peut fonctionner que sur un courant secteur monophasé. Réalisé avec une double isolation, il peut de ce fait être alimenté sans mise à la terre.

Pour système d'alimentation électrique à basse tension, de 220 V à 250 V.

ENF100-1

La mise sous/hors tension des appareils électriques entraîne des fluctuations de la tension. L'utilisation de cet appareil sur une source d'alimentation inadéquate peut affecter le fonctionnement d'autres appareils. On peut considérer qu'il n'aura pas d'effets négatifs si l'impédance de la source d'alimentation est inférieure ou égale à 0,29 Ohm. La prise de courant utilisée pour cet appareil doit être protégée par un fusible ou un disjoncteur de protection à déclenchement lent.

Consignes de sécurité générales des outils électriques

GEA010-1

⚠ AVERTISSEMENT Veuillez lire toutes les consignes de sécurité et les instructions. Il y a un risque de choc électrique, d'incendie et/ou de blessure grave si les consignes et les instructions ne sont pas toutes respectées.

Conservez toutes les consignes et instructions pour référence ultérieure.

Avertissements de sécurité relatifs à la tronçonneuse

GEB037-8

1. **Éloignez l'ensemble du corps de la chaîne lorsque la tronçonneuse est en fonctionnement. Avant de démarrer la tronçonneuse, assurez-vous que la chaîne n'est en contact avec aucun objet.** Un instant d'inattention pendant le fonctionnement de la tronçonneuse risque de provoquer l'accrochage de vos vêtements ou d'une partie du corps par la chaîne.

2. **Tenez toujours la tronçonneuse en plaçant la main droite sur la poignée arrière et la main gauche sur la poignée avant.** Si vous tenez la tronçonneuse selon une configuration inverse des mains, vous augmentez le risque de blessure corporelle et vous devez toujours l'éviter.
3. **Tenez l'outil électrique par ses surfaces de prise isolées uniquement car la chaîne peut entrer en contact avec des fils cachés ou son propre cordon d'alimentation.** Les chaînes qui entrent en contact avec un fil sous tension peuvent mettre les parties métalliques exposées de l'outil sous tension, risquant ainsi de provoquer un choc électrique chez l'utilisateur.
4. **Portez des lunettes de sécurité et des protections d'oreilles. Il est recommandé de porter également un équipement de protection pour la tête, les mains, les jambes et les pieds.** Des vêtements de protection adéquats réduiront les blessures corporelles dues à des débris volants ou un contact accidentel avec la chaîne.
5. **Ne faites pas fonctionner la tronçonneuse dans un arbre.** Le fonctionnement de la tronçonneuse dans un arbre peut entraîner des blessures corporelles.
6. **Conservez toujours une bonne prise au sol et faites fonctionner la tronçonneuse uniquement lorsque vous vous trouvez sur une surface fixe, sûre et plane.** Les surfaces glissantes ou instables, telles que des échelles, risquent de provoquer une perte d'équilibre ou de contrôle de la tronçonneuse.
7. **Lorsque vous coupez une branche sous tension, méfiez-vous du retour.** Lorsque la tension des fibres de bois est relâchée, la branche sous l'effet du ressort risque de heurter l'opérateur et/ou de renvoyer la tronçonneuse de manière incontrôlée.
8. **Soyez extrêmement vigilant lorsque vous coupez des broussailles et de jeunes arbres.** Les petites branches risquent de s'accrocher à la chaîne et de vous fouetter ou de vous déséquilibrer.
9. **Transportez la tronçonneuse par la poignée avant après l'avoir désactivée et éloignée de votre corps.** Lors du transport ou du stockage de la tronçonneuse, installez toujours le protecteur de guide-chaîne. Une manipulation correcte de la tronçonneuse réduira les risques de contact accidentel lorsque la chaîne est en mouvement.
10. **Suivez les instructions de lubrification, de tension de la chaîne et de changement des accessoires.** Une chaîne mal tendue ou mal lubrifiée risque de se briser ou d'augmenter les risques de choc en retour.
11. **Gardez les poignées de l'outil sèches, propres et exemptes d'huile ou de graisse.** Des poignées grasses ou huileuses sont glissantes et risquent de provoquer une perte de contrôle.
12. **Coupez uniquement du bois. N'utilisez pas la tronçonneuse à d'autres fins que celles prévues.** Par exemple : n'utilisez pas la tronçonneuse pour découper du plastique, de la maçonnerie ou des matériaux de construction qui ne sont pas en bois. L'utilisation de la tronçonneuse à d'autres fins que celles prévues comporte un risque de situation dangereuse.
13. **Causes du choc en retour et mesures préventives :**

Un choc en retour peut se produire lorsque le nez ou la pointe du guide-chaîne touche un objet ou lorsque le bois se resserre et pince la chaîne lors de la coupe. Dans certains cas, le contact avec la pointe peut entraîner une réaction inverse soudaine, renvoyant le guide-chaîne vers le haut, puis vers l'opérateur.

Si vous pincez la chaîne le long de la partie supérieure du guide-chaîne, ce dernier risque d'être renvoyé rapidement vers vous.

Ces réactions risquent de vous faire perdre le contrôle de la tronçonneuse et d'entraîner des blessures corporelles graves. Ne vous fiez pas exclusivement aux dispositifs de sécurité intégrés à votre tronçonneuse. En tant qu'utilisateur de tronçonneuse, vous devez prendre plusieurs mesures afin de procéder à vos travaux de coupe sans accident ni blessure.

Le choc en retour est dû à une mauvaise utilisation de l'outil et/ou à des procédures ou conditions de travail inappropriées. Il peut être évité en prenant les mesures appropriées, telles que celles indiquées ci-dessous :

- **Maintenez fermement l'outil, vos pouces et vos doigts encerclant les poignées de la tronçonneuse, les deux mains étant placées sur la tronçonneuse et positionnez votre corps et votre bras de manière à résister aux forces du choc en retour.** Vous pouvez contrôler les forces du choc si vous prenez les précautions appropriées. Ne laissez pas partir la tronçonneuse. (Fig. 1)
- **Ne tendez pas trop le bras et ne coupez pas au-dessus de la hauteur de votre épaule.** Vous éviterez ainsi le contact involontaire de la pointe et permettrez un meilleur contrôle de la tronçonneuse dans des situations inattendues.
- **Utilisez uniquement des guides et chaînes de rechange spécifiés par le fabricant.** L'utilisation de guides et de chaînes de rechange incorrects risque d'entraîner une rupture de la chaîne et/ou un choc en retour.
- **Respectez les instructions du fabricant relatives à l'affûtage et à l'entretien de la chaîne.** Le fait de diminuer la hauteur de la jauge de profondeur risque de provoquer un choc en retour accru.

CONSIGNES DE SÉCURITÉ ADDITIONNELLES

1. Veuillez lire le mode d'emploi afin de vous familiariser avec le fonctionnement de la tronçonneuse.
2. Avant d'utiliser la tronçonneuse pour la première fois, demandez qu'on vous explique son fonctionnement. Si cela n'est pas possible, vous devez au moins vous entraîner en coupant des rondins sur un tréteau avant de commencer votre véritable travail.
3. La tronçonneuse ne doit pas être utilisée par les enfants ni les jeunes âgées de moins de 18 ans. Cette restriction ne s'applique pas aux jeunes de 16 ans ou plus ayant reçu une formation sous la supervision d'un spécialiste.
4. Le travail avec la tronçonneuse exige un haut niveau de concentration. N'utilisez pas la tronçonneuse si

vous ne vous sentez pas parfaitement bien. Effectuez tout le travail de manière calme et prudente.

5. Ne travaillez jamais après avoir consommé de l'alcool, une drogue ou un médicament.

Utilisation adéquate

1. La tronçonneuse est conçue exclusivement pour couper du bois. Vous ne devez pas l'utiliser, par exemple, pour couper du plastique ou du béton poreux.
2. Utilisez la tronçonneuse exclusivement pour les opérations décrites dans ce mode d'emploi. Par exemple, ne l'utilisez **pas** pour tailler des haies ou effectuer des travaux similaires.
3. La tronçonneuse ne doit pas être utilisée pour les travaux forestiers tels que l'abattage et l'ébranchage. Le cordon de la tronçonneuse ne laisse pas à l'utilisateur la mobilité nécessaire à l'exécution de ce genre de travail en toute sécurité.
4. La tronçonneuse n'est pas conçue pour un usage industriel.
5. N'imposez pas une surcharge à la tronçonneuse.

Équipement de protection individuelle

1. Les vêtements portés doivent être moulants, sans toutefois gêner les mouvements.
2. Portez les vêtements de protection suivants pendant l'exécution du travail :
 - Un casque de sécurité homologué en cas de risque de chute de branches ou d'autre risque similaire ;
 - Une visière ou des lunettes de sécurité ;
 - Des protections d'oreilles adéquates (protège-oreilles ou bouches-oreilles souples). Analyse par bande d'octave sur demande.
 - Des gants de travail en cuir rigide ;
 - Un pantalon fabriqué avec un matériau résistant ;
 - Un bleu de travail fabriqué avec un matériau résistant aux objets tranchants ;
 - Des chaussures de sécurité ou des bottes à semelle antidérapante, bouts en acier et doublure en matériau résistant aux objets tranchants ;
 - Un masque filtrant lorsque vous effectuez des travaux qui génèrent de la poussière (par exemple, le sciage de bois sec).

Protection contre les chocs électriques



La tronçonneuse ne doit pas être utilisée par temps humide ni dans les endroits humides, car son moteur électrique ne pas être étanche.

1. Branchez la tronçonneuse uniquement sur une prise de courant d'un circuit électrique homologué. Assurez-vous que la tension du système d'alimentation correspond à celle indiquée sur la plaque signalétique. Assurez-vous de la présence d'un fusible de 16 A. Les tronçonneuses utilisées à l'extérieur doivent être connectées à un disjoncteur de courant résiduel, avec un courant de fonctionnement ne dépassant pas 30 mA.



Débranchez immédiatement l'outil si son cordon d'alimentation est endommagé.

Habitudes de travail sûres

1. Avant de commencer votre travail, assurez-vous que la tronçonneuse est en bon état de fonctionnement et conforme aux règlements de sécurité. Assurez-vous tout particulièrement que :
 - Le frein de chaîne fonctionne correctement ;
 - Le frein de mise hors tension fonctionne correctement ;
 - Le guide-chaîne et le carter du pignon sont correctement posés ;
 - La chaîne a été affûtée et sa tension est conforme aux réglementations ;
 - Le cordon d'alimentation et sa fiche ne sont pas endommagés ;

Reportez-vous à la section « VÉRIFICATIONS ».

2. En particulier, assurez-vous toujours que la section transversale du cordon prolongateur utilisé est adéquate (voir « SPÉCIFICATIONS »). Si vous utilisez un touret, déroulez complètement le cordon. Lorsque vous utilisez la tronçonneuse à l'extérieur, assurez-vous que le cordon utilisé est conçu pour l'extérieur et qu'il a les spécifications requises.
3. Éloignez le cordon de la zone de coupe et positionnez-le de sorte qu'il ne soit pas agrippé par des branches ou autres pendant la coupe.
4. N'utilisez pas la tronçonneuse à proximité de poussières ou gaz inflammables, car le moteur génère des étincelles et présente **un risque d'explosion**.
5. Travaillez uniquement sur un sol rigide et avec une bonne prise au sol. Prêtez une attention particulière aux obstacles (par exemple le cordon d'alimentation) dans la zone de travail. Méfiez-vous tout particulièrement des surfaces rendues glissantes par l'humidité, la glace ou la neige, ou encore par le bois ou l'écorce fraîchement coupé(e). N'utilisez pas la tronçonneuse après être monté sur une échelle ou dans un arbre.
6. Soyez particulièrement prudent lorsque vous travaillez sur une surface en pente, car les troncs et branches qui déboulent représentent un danger.
7. Ne coupez jamais à une hauteur supérieure aux épaules.
8. **Tenez la tronçonneuse à deux mains au démarrage et pendant l'utilisation.** Saisissez la poignée arrière avec votre main droite et la poignée avant avec votre main gauche. Utilisez vos pouces pour assurer une prise ferme sur les poignées. Le guide-chaîne et la chaîne ne doivent entrer en contact avec aucun objet au moment du démarrage de la tronçonneuse. (Fig. 1)
9. Retirez les corps étrangers présents dans la zone de coupe, tels que le sable, les graviers, les clous, le fil de fer, etc. Les corps étrangers endommagent le guide-chaîne et la chaîne et peuvent provoquer un choc en retour dangereux.
10. Soyez tout particulièrement prudent lorsque vous coupez à proximité de clôtures métalliques. Ne coupez pas dans la clôture, au risque de provoquer un choc en retour de la tronçonneuse.
11. Ne coupez pas dans le sol.
12. Coupez les pièces de bois une à une plutôt qu'en paquets ou en piles.
13. Évitez d'utiliser la tronçonneuse pour couper les branches minces et les racines, car celles-ci

pourraient se coincer dans la tronçonneuse. Toute perte d'équilibre comporte un danger.

14. Utilisez un support (tréteau) solide lorsque vous coupez du petit bois d'œuvre.
15. N'utilisez pas la tronçonneuse pour enlever ou balayer les bouts de bois et autres objets.
16. Tenez la tronçonneuse de sorte qu'aucune partie de votre corps ne se trouve dans le prolongement de la chaîne (voir la figure). (Fig. 2)
17. Lorsque vous vous déplacez entre deux travaux de coupe, serrez le frein de chaîne pour éviter que la chaîne fonctionne accidentellement. Tenez la tronçonneuse par sa poignée avant pour la transporter, et ne placez pas le doigt sur l'interrupteur.
18. Avant de faire une pause ou de laisser la tronçonneuse sans surveillance, débranchez-la. Déposez la tronçonneuse dans un endroit où elle ne constituera pas un danger.

Choc en retour

1. Un dangereux choc en retour peut se produire lors des travaux effectués avec la tronçonneuse. Les chocs en retour surviennent lorsque le bout du guide-chaîne (en particulier le quart supérieur) entre en contact avec du bois ou autre objet solide. Cela a pour conséquence de faire rebondir la tronçonneuse vers l'utilisateur. (Fig. 3)
2. Prenez les précautions suivantes pour éviter les chocs en retour :
 - Ne commencez jamais la coupe par le bout du guide-chaîne.
 - N'utilisez jamais le bout du guide-chaîne pour couper. Soyez tout particulièrement prudent lorsque vous reprenez une coupe déjà entamée.
 - Faites tourner la chaîne avant de commencer la coupe.
 - Affûtez toujours la chaîne correctement. En particulier, réglez correctement la hauteur de la jauge de profondeur.
 - Ne coupez jamais plusieurs branches à la fois.
 - Lors de l'ébranchage, prenez garde d'éviter que le guide-chaîne entre en contact avec d'autres branches.
 - Lors du tronçonnage, gardez la tronçonneuse à l'écart des autres troncs adjacents. Ne perdez pas des yeux le bout du guide-chaîne.
 - Utilisez un tréteau.

Dispositifs de sécurité

1. Assurez-vous toujours que les dispositifs de sécurité sont en bon état de fonctionnement avant de commencer votre travail. N'utilisez pas la tronçonneuse si ses dispositifs de sécurité ne fonctionnent pas correctement.
- **Frein de chaîne :**
La tronçonneuse est équipée d'un frein à chaîne qui immobilise la chaîne en une fraction de seconde. Il s'active lorsque vous poussez le carter de protection de la main vers l'avant. La chaîne s'arrête alors en 0,15 s., et l'alimentation du moteur est coupée. (Fig. 4)
 - **Frein de mise hors tension :**
La tronçonneuse est équipée d'un frein de mise hors tension qui immobilise immédiatement la chaîne lorsque vous relâchez l'interrupteur d'alimentation (ON/

OFF). Cela empêche la chaîne de tourner après sa mise hors tension, ce qui présente un danger.

- Les **carters de protection des poignées avant et arrière** protègent l'utilisateur des blessures que peuvent causer une pièce de bois projetée vers l'arrière ou le bris de la chaîne.
- Le **verrou de la gâchette** empêche la mise sous tension accidentelle de la tronçonneuse.
- L'**attrape-chaîne** protège l'utilisateur contre les blessures lorsque la chaîne déraile ou se casse.

Transport et rangement



Lorsque vous n'utilisez plus la tronçonneuse ou devez la transporter, débranchez-la et mettez-la dans le protecteur de guide-chaîne fourni. Ne déplacez et ne transportez jamais la tronçonneuse alors que la chaîne tourne.

1. Transportez la tronçonneuse uniquement par la poignée avant, en pointant le guide-chaîne vers l'arrière.
2. Rangez la tronçonneuse dans une pièce sûre, sèche et verrouillée, hors de la portée des enfants. Ne rangez pas la tronçonneuse à l'extérieur.

Entretien

1. Débranchez l'outil avant d'effectuer tout travail de réglage ou de maintenance.
2. Vérifiez régulièrement le cordon d'alimentation pour vous assurer que sa gaine isolante n'est pas endommagée.
3. Nettoyez régulièrement la tronçonneuse.
4. Faites réparer le carter de plastique immédiatement si vous constatez qu'il est endommagé.
5. N'utilisez pas la tronçonneuse si sa gâchette ne fonctionne pas correctement. Faites-la réparer.
6. Toute modification de la tronçonneuse est interdite, quelles que soient les circonstances. Il en va de votre sécurité.
7. N'effectuez aucun travail de maintenance ou de réparation autre que ceux décrits dans ce mode d'emploi. Tout autre travail doit être effectué par du personnel d'entretien agréé.
8. Utilisez exclusivement des pièces de rechange et accessoires conçus pour votre modèle de tronçonneuse. L'utilisation d'autres pièces accroît les risques d'accident.
9. Nous déclinons toute responsabilité en cas d'accident ou de dommages, de guide-chaînes, de chaînes ou d'autres pièces de rechange ou d'accessoires non homologués.

Premiers soins



Ne travaillez jamais seul. Travaillez toujours à portée de voix d'une autre personne.

1. Gardez toujours une trousse de premiers soins à portée de la main. Remplacez immédiatement par un neuf tout élément de la trousse utilisé.
2. Pour demander de l'aide en cas d'accident, spécifiez ce qui suit :
 - Où l'accident s'est-il produit ?
 - Que s'est-il passé ?
 - Combien y a-t-il de blessés ?
 - Quelles sont les blessures ?
 - Qui fait rapport de l'accident ?

REMARQUE :

Les personnes souffrant de troubles circulatoires peuvent subir des blessures au niveau des vaisseaux sanguins ou du système nerveux si elles sont exposées à des vibrations excessives.

Les vibrations peuvent entraîner les symptômes suivants aux doigts, mains ou poignets : engourdissement, picotements, douleur, sensation lancinante, changement de couleur de la peau ou altération de la peau.

Si l'un ou l'autre de ces symptômes apparaît, consultez un médecin !

CONSERVEZ CES INSTRUCTIONS.



AVERTISSEMENT :

NE vous laissez PAS tromper (au fil d'une utilisation répétée) par un sentiment d'aisance et de familiarité avec le produit, en négligeant le respect rigoureux des consignes de sécurité qui accompagnent l'outil. Une UTILISATION INCORRECTE de l'outil ou le non-respect des consignes de sécurité indiquées dans ce manuel d'instructions peuvent causer des blessures graves.

DÉSIGNATION DES PIÈCES (Fig. 5)

MONTAGE



ATTENTION :

- Avant d'effectuer toute intervention sur l'outil, assurez-vous toujours qu'il est éteint et débranché.

Retrait ou pose de la chaîne



ATTENTION :

- Portez toujours des gants pour installer ou retirer la chaîne.

Pour retirer la chaîne, effectuez les étapes suivantes :

1. Appuyez sur le levier et ouvrez-le entièrement jusqu'à ce qu'il se bloque. (Fig. 6)
2. Tournez le levier dans le sens antihoraire pour desserrer le carter du pignon jusqu'à ce qu'il se désolidarise.
3. Tournez le cadran de réglage dans le sens « - » pour libérer la tension de la chaîne. (Fig. 7)
4. Retirez le carter du pignon.
5. Retirez la chaîne et le guide-chaîne de la tronçonneuse.

Pour installer la chaîne, effectuez les étapes suivantes :

6. Vérifiez le sens de la chaîne. La flèche représentée au-dessus de la chaîne indique le sens de celle-ci. (Fig. 8)
7. Insérez une extrémité de la chaîne sur la partie supérieure du guide-chaîne et l'autre extrémité autour du pignon.
8. Laissez le guide-chaîne en place sur la tronçonneuse.
9. Alignez le coulisseau de tension sur l'orifice du guide-chaîne. (Fig. 9)
10. Tenez le guide-chaîne tout en tournant le cadran de réglage dans le sens « + » pour régler la tension de la chaîne.

11. Placez le carter du pignon de sorte que les crochets s'insèrent le long des orifices et que la broche s'adapte sur sa partie correspondante sur le carter du pignon. (Fig. 10)
12. Tournez le levier dans le sens horaire pour fixer le carter du pignon. (Fig. 11)
13. Appuyez sur le levier et remettez-le dans sa position initiale.

Réglage de la tension de la chaîne

Il est possible que la chaîne se desserre après plusieurs heures d'utilisation. De temps à autre, vérifiez la tension de la chaîne avant de l'utiliser.

1. Appuyez sur le levier et ouvrez-le entièrement jusqu'à émission d'un dé clic. Tournez-le dans le sens antihoraire pour desserrer légèrement le carter du pignon. (Fig. 6)
2. Soulevez légèrement la pointe du guide-chaîne. (Fig. 12)
3. Tournez le cadran de réglage pour régler la tension de la chaîne. Serrez la chaîne jusqu'à ce que le côté inférieur de la chaîne s'insère dans le rail du guide-chaîne (voir le cercle).
4. Continuez à tenir légèrement le guide-chaîne, serrez le carter du pignon après avoir réglé la tension de la chaîne. Assurez-vous que la chaîne ne se desserre pas sur le côté inférieur.
5. Appuyez sur le levier et remettez-le sur sa position initiale. (Fig. 13)

Assurez-vous que la chaîne s'adapte parfaitement contre le côté inférieur du guide.

⚠ ATTENTION :

- Ne serrez pas trop la chaîne. Une tension excessive de la chaîne risque de causer son bris, d'user le guide-chaîne et de casser le cadran de réglage.
- Une chaîne trop lâche risque de dérailler du guide-chaîne et constitue ainsi un risque d'accident.
- Procédez à l'installation ou au retrait de la chaîne dans un lieu propre, exempt de sciure de bois ou autre.

Installation de la rallonge électrique

⚠ ATTENTION :

- Assurez-vous que la rallonge est débranchée de la prise secteur. (Fig. 14)

Lors de l'installation de la rallonge électrique, fixez-la au cordon de la tronçonneuse à l'aide du crochet du cordon. Fixez le crochet du cordon à une distance de 100 à 200 mm environ du connecteur de la rallonge électrique. Vous éviterez ainsi tout débranchement accidentel.

FONCTIONNEMENT

Interrupteur (Fig. 15)

⚠ ATTENTION :

- Avant de vérifier le fonctionnement de la gâchette, assurez-vous toujours que l'outil est hors tension et débranché.
- Avant de brancher l'outil, vérifiez toujours que la gâchette fonctionne correctement et revient en position d'arrêt (« OFF ») lorsqu'elle est relâchée.

REMARQUE :

- Ne procédez pas à la mise sous tension et hors tension de l'outil de manière répétée (en moins de cinq secondes). La température à l'intérieur de l'outil augmenterait, ce qui risquerait de l'endommager. La durée varie selon la température ambiante et d'autres conditions. (Fig. 16)

Pour éviter tout déclenchement accidentel de la gâchette, l'outil est muni d'un bouton de sécurité.

Pour démarrer l'outil, enfoncez le bouton de sécurité, puis appuyez sur la gâchette. Pour l'arrêter, relâchez la gâchette.

Lubrification

⚠ ATTENTION :

- Assurez-vous toujours que l'outil est hors tension et débranché avant de lubrifier la chaîne.

Pour lubrifier la chaîne et le guide-chaîne, utilisez de l'huile à chaîne biodégradable avec agent adhésif. L'agent adhésif de l'huile à chaîne empêche l'éjection trop rapide de l'huile de la tronçonneuse. Les huiles minérales sont à éviter, car elles sont nocives pour l'environnement.

(Fig. 17)

⚠ ATTENTION :

- Évitez que l'huile n'entre en contact avec votre peau ou vos yeux. Le contact avec les yeux entraîne des irritations. En cas de contact avec les yeux, rincez immédiatement l'œil atteint à l'eau claire, puis consultez un médecin sans tarder.
- N'utilisez jamais d'huile usagée. L'huile usagée contient des substances cancérigènes. Les contaminants contenus dans l'huile usagée provoquent l'usure rapide de la pompe à huile, du guide-chaîne et de la chaîne. L'huile usagée est nocive pour l'environnement.
- La première fois que vous faites le plein d'huile dans la tronçonneuse ou lorsque vous refaites le plein une fois le réservoir complètement vide, versez de l'huile jusqu'au bord inférieur du goulot de remplissage. Dans le cas contraire, l'alimentation en huile risque d'être insuffisante.

Pour remplir le réservoir d'huile, effectuez les étapes suivantes : (Fig. 18)

1. Nettoyez soigneusement la zone située autour du bouchon de remplissage d'huile pour éviter que la saleté pénètre dans le réservoir d'huile.
2. Dévissez le bouchon de remplissage d'huile et versez de l'huile jusqu'au bord inférieur du goulot de remplissage.
3. Remettez le bouchon de remplissage d'huile en place en le vissant fermement.
4. Essuyez soigneusement toute trace d'huile renversée.

REMARQUE :

- Lors de la première utilisation de la tronçonneuse, l'effet lubrifiant de l'huile à chaîne peut mettre jusqu'à deux minutes pour atteindre le mécanisme de la tronçonneuse. Faites tourner la tronçonneuse à vide jusqu'à ce que la lubrification soit complète (voir « VÉRIFICATIONS »).

VÉRIFICATIONS

Avant de commencer votre travail, procédez aux vérifications suivantes :

Vérification de la tension de la chaîne

AVERTISSEMENT :

- Débranchez toujours l'outil avant de vérifier la tension, et portez des gants de travail.

Assurez-vous que la chaîne s'adapte parfaitement contre le côté inférieur du guide (voir le cercle). (Fig. 12)

Vérifiez régulièrement la tension de la chaîne, car les chaînes neuves ont tendance à s'allonger.

Une tension excessive de la chaîne risque de causer son bris, d'user le guide-chaîne et de casser le cadran de réglage.

Une chaîne trop lâche risque de dérailler du guide-chaîne et constitue ainsi un risque d'accident.

Si la chaîne est trop lâche : Reportez-vous à la section intitulée « Réglage de la tension de la chaîne » et réglez à nouveau sa tension.

Vérification du fonctionnement de l'interrupteur

ATTENTION :

Avant de brancher l'outil, vérifiez toujours que la gâchette fonctionne correctement et revient en position d'arrêt (« OFF ») lorsqu'elle est relâchée.

Pour éviter tout déclenchement accidentel de la gâchette, l'outil est muni d'un bouton de sécurité.

Pour démarrer l'outil, enfoncez le bouton de sécurité, puis appuyez sur la gâchette. Pour l'arrêter, relâchez la gâchette.

Ne forcez pas en appuyant sur la gâchette sans avoir d'abord enfoncé le bouton de sécurité. Vous risqueriez de casser l'interrupteur.

Vérification du frein de chaîne

REMARQUE :

- Si la tronçonneuse ne démarre pas, vérifiez que le frein de chaîne est desserré. Pour desserrer le frein de chaîne, poussez fermement le carter de protection de la main vers l'arrière jusqu'à ce que vous sentiez qu'il s'enclenche. (Fig. 19 et 20)

Pour vérifier le frein de chaîne, procédez comme suit :

1. Tenez la tronçonneuse à deux mains pour la faire démarrer. Saisissez la poignée arrière avec votre main droite et la poignée avant avec votre main gauche. Assurez-vous que le guide-chaîne et la chaîne n'entrent en contact avec aucun objet.
2. Appuyez d'abord sur le bouton de sécurité, puis sur la gâchette. La chaîne de la tronçonneuse démarre immédiatement.
3. Poussez le carter de protection de la poignée avant avec le revers de la main. Assurez-vous que la chaîne s'immobilise immédiatement.

ATTENTION :

- Si la chaîne ne s'arrête pas immédiatement, n'utilisez en aucun cas la tronçonneuse. Contactez un centre d'entretien agréé Makita.

Vérification du frein de mise hors tension

Démarez la tronçonneuse.

Relâchez complètement la gâchette. Assurez-vous que la chaîne s'immobilise immédiatement en moins d'une seconde.

ATTENTION :

- Si la chaîne ne s'arrête pas immédiatement, n'utilisez en aucun cas la tronçonneuse. Contactez un centre d'entretien agréé Makita.

Vérification du lubrificateur

Avant de commencer le travail, vérifiez le niveau d'huile dans le réservoir, ainsi que le débit d'huile.

Le niveau d'huile est visible dans le viseur du niveau d'huile indiqué sur l'illustration. (Fig. 21)

Pour vérifier le débit d'huile, procédez comme suit : Démarrez la tronçonneuse.

Alors que la tronçonneuse tourne, placez sa chaîne à environ 15 cm au-dessus d'un tronc d'arbre ou du sol. Si la lubrification est adéquate, le jet d'huile produira une légère trace d'huile.

Tenez compte de la direction du vent pour éviter de vous exposer inutilement au jet d'huile.

ATTENTION :

- En l'absence de trace d'huile, n'utilisez pas la tronçonneuse. Dans le cas contraire, la durée de vie de la chaîne sera réduite. Vérifiez le niveau d'huile. Nettoyez la rainure de débit d'huile et l'orifice de débit d'huile dans le guide-chaîne (reportez-vous à « ENTRETIEN »).

Réglage de la lubrification de la chaîne (Fig. 22)

Vous pouvez régler le débit de la pompe à huile à l'aide de la vis de réglage.

ATTENTION :

- Utilisez toujours une poignée avant et une poignée arrière et tenez fermement l'outil par les poignées avant et arrière pendant les opérations.
- Sécurisez toujours le bois à couper, au risque de vous blesser avec les fragments coupés.

UTILISATION DE LA TRONÇONNEUSE

Tronçonnage (Fig. 23)

Pour le tronçonnage, posez la butée à crampons illustrée sur la pièce de bois à couper.

Tandis que la chaîne tourne, sciez la pièce de bois en utilisant la poignée arrière pour soulever la tronçonneuse et la poignée avant pour la guider. Utilisez la butée à crampons en guise de pivot.

Poursuivez la coupe en appliquant une légère pression sur la poignée avant et en retirant légèrement la tronçonneuse à l'arrière. Déplacez la butée à crampons plus bas sur la pièce de bois, et soulevez à nouveau la poignée avant.

Lorsque vous effectuez plusieurs coupes, mettez la tronçonneuse hors tension entre chaque coupe.

ATTENTION :

- Si le bord supérieur du guide-chaîne est utilisé pour la coupe, la tronçonneuse risque de rebondir dans votre direction si la chaîne se coince. Pour cette raison, vous devez couper avec le bord inférieur, de sorte que la tronçonneuse rebondisse en s'éloignant de votre corps. (Fig. 24)

Coupez d'abord le bois par le côté soumis à une pression (A). Passez ensuite à la coupe finale sur le côté soumis à une tension (B). Cela évitera que le guide-chaîne se coince. (Fig. 25)

Ébranchage

ATTENTION :

- L'ébranchage doit être exécuté uniquement par des personnes ayant reçu une formation. Les risques de choc en retour constituent un danger.

Pour l'ébranchage, appuyez si possible la tronçonneuse contre le tronc. Ne coupez pas avec le bout du guide-chaîne, car il y a risque de choc en retour.

Prêtez une attention particulière aux branches soumises à une tension. Ne coupez pas par le dessous les branches sans soutien.

Ne montez pas sur le tronc abattu pour l'ébrancher.

Évidage et coupes dans le sens du grain

ATTENTION :

- L'évidage et les coupes dans le sens du grain ne doivent être exécutés que par des personnes ayant reçu une formation. Il y a risque de choc en retour et de blessure.

Effectuez les coupes dans le sens du grain avec l'angle le plus faible possible. Comme la butée à crampons ne peut pas être utilisée, vous devez procéder à la coupe avec la plus grande prudence possible. (Fig. 26)

Abattage

ATTENTION :

- Les travaux d'abattage doivent être exécutés uniquement par des personnes ayant reçu une formation. Il s'agit d'un travail dangereux.

Si vous désirez abattre un arbre, respectez les réglementations locales. (Fig. 27)

- Avant d'abattre l'arbre, assurez-vous que :
 - (1) Seules les personnes participant à l'abattage se trouvent dans la zone d'abattage ;
 - (2) Toute personne impliquée dans le travail d'abattage doit s'assurer d'une voie de retraite sur une plage d'environ 45° de chaque côté de l'axe d'abattage de l'arbre. Tenez également compte des risques de trébuchage sur des câbles électriques ;
 - (3) La base du tronc doit être exempte de corps étrangers, racines et branches ;
 - (4) Il ne doit y avoir aucune personne ni aucun objet sur une distance égale à 2,5 fois la longueur de l'arbre dans le sens où sa chute est prévue.
- Pour chaque arbre, tenez compte des éléments suivants :
 - Le sens d'abattage ;
 - La présence de branches détachées ou sèches ;
 - La hauteur de l'arbre ;
 - La présence d'un surplomb naturel ;

- La pourriture ou non de l'arbre.
- Tenez compte de la vitesse et de la direction du vent. N'effectuez pas de travaux d'abattage si le vent souffle en fortes rafales.
- Ébranchage des pattes de la racine : commencez par les plus grosses pattes de la racine. Procédez d'abord à la coupe verticale, puis à la coupe horizontale.
- Pratiquez une entaille : l'entaille détermine le sens dans lequel l'arbre tombera et elle l'entraîne dans ce sens. Elle se trouve du côté vers lequel l'arbre doit tomber. Pratiquez l'entaille le plus près du sol possible. Coupez d'abord à l'horizontale sur une profondeur comprise entre 1/5 et 1/3 du diamètre du tronc. L'entaille ne doit pas être trop large. Passez ensuite à la coupe en diagonale. (Fig. 28)
- Les corrections apportées à l'entaille doivent l'être sur toute sa largeur.
- Pratiquez le trait d'abattage un peu plus haut que la semelle de l'entaille. Le trait d'abattage doit être parfaitement horizontal. Laissez environ 1/10 du diamètre du tronc entre le trait d'abattage et l'entaille. Les fibres de la partie non coupée remplissent un rôle de charnières. Ne coupez en aucun cas ces fibres, car l'arbre tomberait alors en chute libre. Insérez des chevilles dans le trait d'abattage au moment opportun. (Fig. 29)
- Pour maintenir le trait d'abattage ouvert, utilisez exclusivement des chevilles en plastique ou en aluminium. Il est interdit d'utiliser des chevilles en fer.
- Tenez-vous à côté de l'arbre à abattre, pas devant ni derrière par rapport à la direction d'abattage. Assurez-vous de la présence d'une aire bien dégagée derrière l'arbre, sur un angle de 45° par rapport à l'axe de l'arbre (reportez-vous à la figure « zone d'abattage »). Prenez garde aux chutes de branches.
- Au besoin, un chemin d'évacuation doit être prévu et défini avant le début de la coupe. Ce chemin d'évacuation doit se prolonger vers l'arrière et en diagonale par rapport à la ligne d'abattage prévue, comme illustré sur la figure. (Fig. 30)

ENTRETIEN

ATTENTION :

- Assurez-vous toujours que l'outil est éteint et débranché avant d'effectuer tout travail d'inspection ou d'entretien.
- Portez toujours des gants pour effectuer tout travail d'inspection ou de maintenance.
- N'utilisez jamais d'essence, de benzine, de diluant, d'alcool ou de produit similaire. Ces produits risquent de provoquer des décolorations, des déformations ou des fissures.

Effectuez régulièrement les travaux d'entretien décrits ci-dessous. Les demandes d'application de la garantie ne seront acceptées que si les opérations suivantes ont été effectuées régulièrement et de manière adéquate. L'utilisateur n'est autorisé à effectuer que les travaux d'entretien décrits dans ce mode d'emploi. Tout autre travail doit être effectué par du personnel d'entretien agréé MAKITA.

Nettoyage de la tronçonneuse

Nettoyez régulièrement la tronçonneuse avec un chiffon propre. Les poignées, en particulier, doivent toujours être exemptes d'huile.

Vérification du carter en plastique

Procédez régulièrement à l'inspection visuelle de toutes les pièces du carter. Si des pièces sont endommagées, faites-les réparer immédiatement et de manière adéquate dans un centre d'entretien agréé MAKITA.

Affûtage de la chaîne

⚠ ATTENTION :

- Débranchez toujours l'outil et portez des gants de travail avant d'effectuer tout travail sur la chaîne.

Affûtez la chaîne lorsque : (Fig. 31)

- Une poussière farineuse est produite lors de la coupe du bois humide ;
- La chaîne pénètre avec difficulté dans le bois, même si vous appliquez une forte pression ;
- La face de coupe est de toute évidence endommagée ;
- La tronçonneuse tire vers la gauche ou la droite dans le bois. Cela est dû à un mauvais affûtage de la chaîne ou au fait qu'elle est endommagée d'un côté seulement.

Affûtez fréquemment la chaîne, en ne retirant qu'une faible quantité de matériau chaque fois.

Pour un affûtage de routine, deux ou trois passes avec une lime suffisent généralement. Après plusieurs affûtages de la chaîne, faites-la affûter dans un centre d'entretien agréé MAKITA.

Critères d'affûtage :

- La longueur de toutes les arêtes doit être identique. La chaîne ne tournera pas en douceur et elle risque de se casser si les arêtes sont de longueur inégale.
- N'affûtez pas la chaîne lorsque la longueur minimale des arêtes, à savoir 3 mm, est atteinte. Vous devez alors installer une chaîne neuve.
- L'épaisseur des copeaux est déterminée par la distance entre la jauge de profondeur (nez rond) et la face de coupe.
- Les meilleurs résultats de coupe sont obtenus avec la distance suivante entre la face de coupe et la jauge de profondeur.
Lame de chaîne 90PX : 0,5 mm
Lame de chaîne 91PX : 0,65 mm (Fig. 32)

⚠ AVERTISSEMENT :

- Une distance trop grande entraîne une augmentation des risques de choc en retour.
- L'angle d'affûtage de 30° doit être le même sur toutes les arêtes. La chaîne risque de tourner de manière saccadée et inégale, de s'user rapidement et de casser si les angles sont différents.
- L'angle d'attaque latérale des arêtes est déterminé par la profondeur de pénétration de la lime ronde. Si la lime spécifiée est utilisée correctement, le bon angle d'attaque latérale sera naturellement obtenu.
- Les angles d'attaque latérale pour chaque chaîne sont les suivants :
Lame de chaîne 90PX : 75°
Lame de chaîne 91PX : 80° (Fig. 33)

Lime et guidage de la lime

- Pour affûter la lame, utilisez une lime ronde conçue spécialement (accessoire en option) pour les tronçonneuses. Il est préférable de ne pas utiliser une lime ronde ordinaire.
- Le diamètre de la lime ronde pour chaque chaîne est le suivant :
Lame de chaîne 90PX : 4,5 mm
Lame de chaîne 91PX : 4,0 mm
- La lime ne doit être pénétrer l'arête que dans son mouvement vers l'avant. Soulevez la lime pour qu'elle ne touche pas l'arête dans son mouvement de retour.
- Affûtez d'abord l'arête la plus courte. La longueur de cette arête la plus courte devient alors la longueur de référence pour toutes les autres arêtes de la chaîne.
- Guidez la lime comme indiqué sur la figure. (Fig. 34)
- Il est plus facile de guider la lime si vous utilisez le porte-lime (accessoire en option). Le porte-lime possède des indications pour le réglage correct de l'angle d'affûtage sur 30° (alignez les indications parallèlement à la chaîne), et il limite la profondeur de pénétration (jusqu'aux 4/5 du diamètre de la lime). (Fig. 35)
- Après avoir affûté la chaîne, vérifiez la hauteur de la jauge de profondeur au moyen de l'outil pour jauge de chaîne (accessoire en option). (Fig. 36)
- Retirez toute partie saillante, même petite, au moyen d'une lime plate spécialement conçue à cet effet (accessoire en option).
- Arrondissez à nouveau la partie avant de la jauge de profondeur.

Nettoyage du guide-chaîne et lubrification du pignon de retour

⚠ ATTENTION :

- Portez toujours des gants de travail pour effectuer cette tâche. Les bavures peuvent causer des blessures.

Vérifiez régulièrement l'absence de dommages sur les surfaces mobiles du guide-chaîne. Utilisez un outil adéquat pour le nettoyage, et retirez les bavures au besoin. (Fig. 37)

Si vous utilisez fréquemment la tronçonneuse, lubrifiez l'engrenage du pignon de retour au moins une fois par semaine. Avant d'ajouter de la graisse neuve, nettoyez soigneusement l'orifice de 2 mm qui se trouve au bout du guide-chaîne, puis poussez une petite quantité de graisse multi-usage (accessoire en option) dans l'orifice.

Nettoyage du guidage d'huile (Fig. 38)

- Nettoyez régulièrement la rainure de guidage d'huile et l'orifice de débit d'huile dans le guide-chaîne.

Chaînes neuves

Utilisez deux ou trois chaînes de façon alternée, de sorte que la chaîne, le pignon et les surfaces mobiles du guide-chaîne s'usent de manière égale.

Retournez le guide-chaîne lorsque vous remplacez la chaîne, pour favoriser l'usure égale des rainures du guide-chaîne.

ATTENTION :

- Utilisez exclusivement des chaînes et guide-chaînes approuvés pour ce modèle de tronçonneuse (reportez-vous à « SPÉCIFICATIONS »).

Avant de poser une chaîne neuve, vérifiez l'état du pignon. (Fig. 39)

ATTENTION :

- Un pignon usé endommagera la chaîne neuve. Remplacez le pignon s'il est usé.

Lorsque vous remplacez le pignon, posez toujours un anneau de verrouillage neuf.

Entretien de la chaîne et du frein de mise hors tension

Les systèmes de freinage sont très importants pour la sécurité. Comme tout autre composant de la tronçonneuse, ils sont sujets à une certaine usure. Ils doivent être examinés régulièrement par un centre d'entretien agréé MAKITA. Cette mesure a pour but d'assurer votre propre sécurité.

Rangement de l'outil

L'huile à chaîne biodégradable ne se conserve que pendant une durée limitée. Deux ans après leur fabrication, les huiles biologiques deviennent adhésives et entraînent des dommages au niveau de la pompe à huile et des composants du dispositif de lubrification.

- Si vous prévoyez de ne pas utiliser la tronçonneuse pendant une période prolongée, videz le réservoir d'huile et versez-y une petite quantité d'huile à moteur (SAE 30).
- Faites tourner la tronçonneuse un court instant pour éliminer les résidus d'huile biologique du réservoir, du dispositif de lubrification et du mécanisme de la tronçonneuse.

REMARQUE :

- De petites quantités d'huile à chaîne coulent pendant un certain temps après l'utilisation de la tronçonneuse. Cela est normal et n'indique aucun dysfonctionnement. Rangez la tronçonneuse sur une surface adéquate. Avant de faire réparer la tronçonneuse, remplissez-la d'huile à chaîne BIOTOP fraîche. Pour assurer la SÉCURITÉ et la FIABILITÉ du produit, toute réparation, inspection et remplacement des charbons, ainsi que toute autre tâche de maintenance ou de réglage, doivent être effectués par un centre de service agréé Makita, exclusivement avec des pièces de rechange Makita.

DÉPANNAGE

Avant de faire réparer l'outil, menez votre propre inspection. Si vous rencontrez un problème non recensé dans ce manuel, n'essayez pas de démonter l'outil. Consultez plutôt un centre d'entretien agréé Makita.

État du dysfonctionnement	Cause possible	Solution
La tronçonneuse ne démarre pas.	Pas de courant.	Branchez l'outil dans une prise de courant. Vérifiez l'alimentation.
	Câble défectueux.	Cessez immédiatement d'utiliser l'outil et consultez votre centre d'entretien agréé le plus proche.
	Dysfonctionnement de l'outil.	Cessez immédiatement d'utiliser l'outil et consultez votre centre d'entretien agréé le plus proche.
La chaîne ne tourne pas.	Le frein de chaîne est serré.	Desserrez le frein de chaîne.
Performances insuffisantes.	Balai de charbon usé.	Faites réparer l'outil par le centre d'entretien agréé le plus proche.
Pas d'huile sur la chaîne.	Le réservoir d'huile est vide.	Remplissez le réservoir d'huile.
	La rainure de guidage d'huile est sale.	Nettoyez la rainure.
	Vis de réglage de la pompe à huile mal serrée.	Réglez le débit de la pompe à huile.
La chaîne ne s'arrête pas, même lorsque le frein de chaîne est serré.	Bande de frein usée.	Cessez immédiatement d'utiliser l'outil et consultez votre centre d'entretien agréé le plus proche.
L'outil vibre anormalement.	Le guide-chaîne ou la chaîne est lâche.	Réglez la tension du guide-chaîne et de la chaîne.
	Dysfonctionnement de l'outil.	Cessez immédiatement d'utiliser l'outil et consultez votre centre d'entretien agréé le plus proche.

014314

ACCESSOIRES FOURNIS EN OPTION

ATTENTION :

- Ces accessoires ou pièces complémentaires sont recommandés pour être utilisés avec l'outil Makita spécifié dans ce mode d'emploi. L'utilisation de tout autre accessoire ou pièce complémentaire peut

comporter un risque de blessure. N'utilisez les accessoires ou pièces qu'aux fins auxquelles ils ont été conçus.

Pour obtenir plus de détails sur ces accessoires, contactez votre Centre de service local Makita.

- Chaîne
- Protecteur de guide-chaîne
- Guide-chaîne

- Jauge de chaîne
- Lime ronde de 4,0 mm
- Lime ronde de 4,5 mm
- Lime plate
- Porte-lime avec lime de 4,0 mm
- Porte-lime avec lime de 4,5 mm
- Poignée de lime
- Huile de chaîne
- Graisse multi-usage
- Pistolet graisseur

REMARQUE :

- Certains éléments de la liste peuvent être inclus en tant qu'accessoires standard dans le coffret de l'outil envoyé. Ils peuvent varier suivant les pays.

Bruit ENG905-1
 Les niveaux de bruit pondéré A typiques ont été mesurés selon la norme EN60745 :

Niveau de pression sonore (L_{pA}) : 90,3 dB (A)
 Niveau de puissance sonore (L_{WA}) : 101,3 dB (A)
 Incertitude (K) : 2,5 dB (A)

Portez des protections auditives.

Vibrations ENG900-1
 La valeur totale de vibration (somme du vecteur triaxial) a été déterminée selon la norme EN60745 :

Mode de fonctionnement : coupe de bois
 Émission des vibrations (a_{R1}) : 4,7 m/s²
 Incertitude (K) : 1,5 m/s²

ENG901-1

- La valeur de l'émission des vibrations déclarée a été mesurée conformément à la méthode de test standard et peut être utilisée afin de comparer des outils entre eux.
- La valeur de l'émission des vibrations déclarée peut également être utilisée lors d'une évaluation préliminaire de l'exposition.

⚠ AVERTISSEMENT :

- Selon la manière dont l'outil est utilisé, il est possible que l'émission des vibrations pendant l'utilisation réelle de l'outil électrique diffère de la valeur de l'émission déclarée.
- Veillez à identifier les mesures de sécurité destinées à protéger l'opérateur et établies en fonction de l'estimation de l'exposition dans les conditions réelles d'utilisation (en prenant en compte toutes les étapes du cycle de fonctionnement, telles que les périodes de mise hors tension de l'outil, les périodes de fonctionnement au ralenti et les périodes de mise en route).

Pour les pays d'Europe uniquement ENH021-8
Déclaration de conformité CE

Makita déclare que la/les machine(s) suivante(s) :

Nom de la machine :
 Tronçonneuse
 N° de modèle/Type : UC3041A, UC3541A, UC4041A
 Spécifications : voir le tableau
 « SPÉCIFICATIONS ».

sont conformes aux directives européennes suivantes :

2000/14/CE, 2006/42/CE

sont produites conformément aux normes ou documents de normalisation suivants :

EN60745

Le dossier technique conforme à la norme 2006/42/CE est disponible auprès de :

Makita, Jan-Baptist Vinkstraat 2, 3070, Belgique

La procédure d'évaluation de la conformité requise par la directive 2000/14/CE est conforme à l'annexe V. Niveau de puissance sonore mesurée : 102,2 dB (A) Niveau de puissance sonore garantie : 104 dB (A)

26. 4. 2013



Yasushi Fukaya
 Directeur

Makita, Jan-Baptist Vinkstraat 2, 3070, Belgique

DEUTSCH (Originalanweisungen)

Erklärung der Gesamtdarstellung

- | | | |
|---------------------------|--|--|
| 1. Kettenbremse aktiviert | 17. Kettenfänger | 31. Verriegelung |
| 2. Kettenbremse frei | 18. Schutz für die Führungsschiene | 32. Entriegeln |
| 3. Hinterer Griff | 19. Kabelhaken | 33. Fällbereich |
| 4. Ein/Aus-Schalter | 20. Einstellschraube für Ölpumpe (an der Unterseite) | 34. Fallrichtung |
| 5. Öltankverschluss | 21. Kettenrad | 35. Gefahrenbereich |
| 6. Vorderer Griff | 22. Öffnung | 36. Fluchtweg |
| 7. Vorderer Handschutz | 23. Haken | 37. Schnittlänge |
| 8. Führungsschiene | 24. Stift | 38. Abstand zwischen Schnittkante und Tiefenanschlag |
| 9. Sägekette | 25. Lösen | 39. Mindestens 3 mm |
| 10. Hebel | 26. Festziehen | 40. Zahnbrustwinkel |
| 11. Kettenradschutz | 27. Werkzeugkabel | 41. Ölführungsnut |
| 12. Einstellrad | 28. Verlängerungskabel | 42. Öleintrittsbohrung |
| 13. Hinterer Handschutz | 29. Netzstecker und Steckdose (Form kann je nach Land abweichen) | |
| 14. Ölstandsanzeige | 30. Riemen | |
| 15. Zackenleiste | | |
| 16. Arretiertaste | | |

SPEZIFIKATIONEN

Modell		UC3041A		UC3541A		UC4041A	
Max. Kettendrehzahl		14,5 m/s (870 m/min)					
Standard-Führungsschiene	Schienenlänge	300 mm		350 mm		400 mm	
	Schnittlänge	265 mm		325 mm		360 mm	
	Führungsschientyp	Kettenradschiene					
Standard-Sägekette	Typ	90PX	91PX	90PX	91PX	90PX	91PX
	Teilung	3/8"					
	Anz. Antriebsverbindungen	46		52		56	
Empfohlene Länge der Führungsschiene		300 bis 400 mm					
Gesamtlänge (ohne Führungsschiene)		455 mm					
Nettogewicht		4,6 kg		4,7 kg		4,7 kg	
Verlängerungskabel (optional)		DIN 57282/HO 7RN -F L = 30 m max., 3 x 1,5 mm ²					

- Aufgrund unserer beständigen Forschungen und Weiterentwicklungen sind Änderungen an den hier angegebenen Technischen Daten ohne Vorankündigung vorbehalten.
- Die Technischen Daten können in den einzelnen Ländern voneinander abweichen.
- Gewicht entsprechend EPTA-Verfahren 01/2003

Symbol

END218-7

Im Folgenden sind die im Zusammenhang mit diesem Gerät verwendeten Symbole dargestellt. Machen Sie sich vor der Benutzung des Geräts unbedingt mit diesen Symbolen vertraut!

..... Bitte lesen Sie die Betriebsanleitung und befolgen Sie die Warnungen und Sicherheitshinweise.

..... Tragen Sie eine Schutzbrille!

..... Tragen Sie Gehörschutz!

..... DOPPELT SCHUTZISOLIERT

..... Achtung: Besondere Vorsicht und Aufmerksamkeit sind erforderlich!

..... Achtung: Bei beschädigtem Kabel sofort Netzstecker ziehen!

..... Achtung: Rückschlag!

..... Vor Regen und Feuchtigkeit schützen!

..... Helm, Augen- und Gehörschutz tragen!

..... Tragen Sie Sicherheitshandschuhe!

..... Netzstecker ziehen!

..... Erste Hilfe

..... Maximal zulässige Schnittlänge

..... Laufrichtung der Sägekette

..... Sägekettenöl

..... Kettenbremse frei



..... Kettenbremse aktiviert



..... Verboten!



..... Nur für EU-Länder
Werfen Sie Elektrowerkzeuge nicht in den Hausmüll!
Gemäß der Europäischen Richtlinie über Elektro- und Elektronik-Altgeräte und ihrer Umsetzung in nationales Recht müssen verbrauchte Elektrowerkzeuge getrennt gesammelt und einer umweltgerechten Wiederverwertung zugeführt werden.

Verwendungszweck ENE085-1

Das Werkzeug wurde für das Sägen von Bauholz und Baustämmen entwickelt.

Stromversorgung ENF002-2

Das Werkzeug darf nur an eine Stromversorgung mit Einphasen-Wechselstrom mit der auf dem Typenschild angegebenen Spannung angeschlossen werden. Das Werkzeug verfügt über ein doppelt isoliertes Gehäuse und kann daher auch an einer Stromversorgung ohne Schutzkontakt betrieben werden.

Für das öffentliche Stromnetz mit einer Spannung zwischen 220 V und 250 V. ENF100-1

Schaltvorgänge von Elektrogeräten verursachen Spannungsschwankungen. Der Betrieb dieses Gerätes unter ungünstigen Netzstrombedingungen kann sich nachteilig auf den Betrieb anderer Geräte auswirken. Bei einer Netzstromimpedanz von 0,29 Ohm oder weniger ist anzunehmen, dass keine negativen Effekte auftreten. Die für dieses Gerät verwendete Netzsteckdose muss durch eine Sicherung oder einen Schutzschalter mit trägen Auslöseeigenschaften geschützt sein.

Allgemeine Sicherheitshinweise für Elektrowerkzeuge GEA010-1

⚠ WARNUNG Lesen Sie alle Sicherheitshinweise und Anweisungen sorgfältig durch. Wenn die Hinweise und Anweisungen nicht beachtet werden, besteht die Gefahr eines Stromschlags, Brands und/oder das Risiko von ernsthaften Verletzungen.

Bewahren Sie alle Hinweise und Anweisungen zur späteren Referenz gut auf.

Sicherheitshinweise zur Motorsäge GEB037-8

1. **Halten Sie mit allen Körperteilen Abstand zur Sägekette, wenn der Motor der Motorsäge läuft. Stellen Sie vor dem Starten der Motorsäge sicher, dass die Sägekette frei ist und keinerlei Gegenstände berührt.** Beim Arbeiten mit Motorsägen kann schon der kürzeste Moment der Unaufmerksamkeit zu einer Berührung zwischen Sägekette und Kleidung oder Körper führen.
2. **Halten Sie die Motorsäge stets mit der rechten Hand am hinteren Griff und mit der linken Hand**

3. **Erfassen Sie das Elektrowerkzeug ausschließlich an den isolierten Griffflächen, da die Sägekette verborgene Elektroleitungen oder das eigene Kabel berühren kann.** Bei Kontakt der Sägekette mit einem stromführenden Kabel wird der Strom an die Metallteile des Elektrowerkzeugs und dadurch an den Bediener weitergeleitet, und der Bediener erleidet einen Stromschlag.
4. **Tragen Sie Schutzbrille und Gehörschutz. Außerdem wird das Tragen von Schutzausrüstung für Kopf, Hände, Beine und Füße empfohlen.** Bei geeigneter Schutzkleidung verringert sich das Verletzungsrisiko durch herumfliegende Sägeabfälle oder durch versehentlichen Kontakt mit der Sägekette.
5. **Betreiben Sie die Motorsäge nicht auf einem Baum.** Beim Betrieb einer Motorsäge auf einem Baum kann es zu Verletzungen kommen.
6. **Achten Sie immer auf einen sicheren Stand, die Benutzung der Motorsäge ist nur dann zulässig, wenn Sie auf einer festen, sicheren und waagerechten Fläche stehen.** Auf rutschigen und instabilen Standflächen, wie z. B. auf einer Leiter, können Sie das Gleichgewicht und die Kontrolle über die Motorsäge verlieren.
7. **Achten Sie beim Sägen von unter Spannung stehenden Ästen auf ein mögliches Zurückschnellen.** Wenn die Spannung im Holz frei wird, kann der Bediener der Säge vom unter Spannung stehenden Ast getroffen werden oder die Motorsäge kann außer Kontrolle geraten.
8. **Beim Sägen von Gebüsch und jungen Bäumen ist besondere Vorsicht geboten.** Die Sägekette kann das schlanke Material erfassen und in Ihre Richtung peitschen oder Sie aus dem Gleichgewicht bringen.
9. **Tragen Sie die Motorsäge immer ausgeschaltet und am vorderen Griff und vom Körper entfernt. Transportieren und lagern Sie die Motorsäge immer mit aufgesetztem Schutz über der Führungsschiene.** Durch einen sachgemäßen Umgang mit der Motorsäge können Sie eine Berührung der sich bewegenden Sägekette vermeiden.
10. **Halten Sie die Anweisungen für Schmierer, Spannen der Kette und Austauschen von Zubehörteilen ein.** Eine unsachgemäß geschmierte oder unsachgemäß gespannte Sägekette kann reißen oder einen Rückschlag verursachen.
11. **Achten Sie darauf, dass die Griffe trocken, sauber und frei von Öl und Schmiermittel sind.** Fettige oder ölige Griffe sind schlüpfrig, wodurch Sie die Kontrolle über die Säge verlieren können.
12. **Sägen Sie ausschließlich Holz. Verwenden Sie die Motorsäge ausschließlich für den vorgesehenen Zweck. Beispiel: Mit dieser Motorsäge ist das Sägen von Kunststoffen, Ziegeln oder Baumaterialien, die nicht aus Holz sind, zu unterlassen.** Die zweckentfremdete Verwendung der Motorsäge kann zu Gefahrensituationen führen.

13. Ursachen für Rückschläge und geeignete

Vorkehrungen:

Wenn die Nase oder die Spitze der Führungsschiene ein Objekt berührt oder wenn sich das Holz in den Schnitt biegt und die Sägekette einklemmt, kann es zu einem Rückschlag kommen.

Wenn die Spitze mit Gegenständen in Berührung kommt, kann es zu einer plötzlichen Bewegungsumkehr kommen, wodurch die Führungsschiene nach oben und in Richtung des Bedieners gestoßen wird.

Wenn die Sägekette oben an der Führungsschiene eingeklemmt wird, kann die Führungsschiene plötzlich nach hinten in Richtung des Bedieners gedrückt werden.

All diese Reaktionen können zu einem Verlust der Kontrolle über die Säge und dadurch zu schweren Verletzungen führen. Verlassen Sie sich nicht ausschließlich auf die Sicherheitsvorrichtungen der Säge. Als Benutzer einer Motorsäge müssen Sie bezüglich Arbeitsschutz mehrere Dinge beachten: Rückschlag wird durch eine zweckentfremdete Nutzung des Werkzeugs und/oder unsachgemäße Bedienschritte oder -umstände verursacht und kann durch die unten aufgeführten Maßnahmen vermieden werden:

- **Halten Sie die Säge mit beiden Händen und mit festem Griff und legen Sie dabei Finger und Daumen um die Griffe der Motorsäge, halten Sie Körper und Arme so, dass Sie Rückschlagkräften standhalten können.** Bei sachgerechter Vorgehensweise kann der Bediener auf sichere Weise mit Rückschlagkräften umgehen. Lassen Sie die Motorsäge nicht los. (**Abb. 1**)
- **Beugen Sie sich nicht zu weit nach vorn und sägen Sie nicht über Schulterhöhe.** Dadurch können unbeabsichtigte Berührungen der Spitze mit Gegenständen vermieden werden. Außerdem kann die Motorsäge in unerwarteten Situationen besser unter Kontrolle gehalten werden.
- **Verwenden Sie ausschließlich die vom Hersteller vorgeschriebenen Ersatzschiene und -ketten.** Nicht zugelassene Ersatzschiene und -ketten können zu einem Riss der Kette und/oder Rückschlag führen.
- **Halten Sie die Vorschriften des Herstellers für das Schärfen und die Wartung der Sägekette ein.** Bei Absenken des Tiefenanschlags kann es zu höheren Rückschlagkräften kommen.

ZUSÄTZLICHE SICHERHEITSGELTEN

1. Lesen Sie diese Betriebsanleitung, um sich mit der Handhabung der Motorsäge vertraut zu machen.
2. Vor der ersten Inbetriebnahme der Motorsäge sollten Sie sich deren Arbeitsweise erklären lassen. Falls das nicht möglich ist, üben Sie vor Beginn der Arbeit zumindest das Ablängen von Rundholz auf einem Sägebock.
3. Kinder und Jugendliche unter 18 Jahren dürfen die Motorsäge nicht bedienen. Jugendliche über 16 Jahren sind von diesem Verbot ausgenommen,

wenn sie zum Zweck der Ausbildung unter Aufsicht eines Fachkundigen stehen.

4. Das Arbeiten mit der Motorsäge erfordert ein hohes Maß an Aufmerksamkeit. Nur in guter körperlicher Verfassung arbeiten. Führen Sie alle Arbeiten ruhig und sorgfältig aus.
5. Arbeiten Sie niemals unter Einfluss von Alkohol, Drogen oder Medikamenten.

Bestimmungsgemäßer Gebrauch

1. Die Motorsäge wurde eigens für das Sägen von Holz entwickelt. Verwenden Sie sie beispielsweise nicht zum Sägen von Kunststoff oder porösem Beton.
2. Verwenden Sie die Motorsäge nur für Arbeiten, die in dieser Betriebsanleitung beschrieben sind. Verwenden Sie sie zum Beispiel **nicht** zum Heckenschneiden oder Ähnlichem.
3. Die Motorsäge darf nicht für Forstarbeiten, d.h. zum Fällen und Entasten von Nutzholz verwendet werden. Die Kabelverbindung gewährleistet dem Bediener nicht die notwendige Beweglichkeit und Sicherheit, die für diese Arbeiten erforderlich ist.
4. Die Motorsäge ist nicht für den gewerblichen Gebrauch bestimmt.
5. Die Motorsäge nicht überlasten.

Persönliche Schutzausrüstung

1. Die Kleidung muss eng anliegen, darf jedoch nicht die Bewegungsfreiheit einschränken.
2. Tragen Sie bei der Arbeit folgende Schutzkleidung:
 - Einen geprüften Schutzhelm, wenn mit herabfallenden Ästen oder Ähnlichem zu rechnen ist;
 - Einen Gesichts- oder Augenschutz;
 - Geeigneten Gehörschutz (Gehörschutzkapseln, maßgeschneiderte oder formbare Gehörschutzstöpsel). Oktavbandanalyse auf Anfrage.
 - Schutzhandschuhe aus festem Leder;
 - eine lange Hose aus festem Stoff;
 - eine Sicherheits-Latzhose mit Schnittschutz;
 - Sicherheitsschuhe oder -stiefel mit rutschfesten Sohlen, Stahlkappen und schnittfestem Futter;
 - eine Atemmaske für Arbeiten mit Staubeentwicklung (z. B. Sägen von trockenem Holz).

Schutz vor elektrischem Schlag



Die Motorsäge darf nicht bei nassem Wetter oder in feuchter Umgebung verwendet werden, da der Elektromotor nicht wasserdicht ist.

1. Schließen Sie die Säge nur an eine Steckdose mit geprüfter Installation an. Prüfen Sie, ob die Netzspannung den Angaben auf dem Typenschild entspricht. Stellen Sie sicher, dass eine 16 A Vorsicherung eingebaut ist. Sägen, die im Freien verwendet werden, müssen über einen Fehlerstrom-Schutzschalter mit maximal 30 mA Auslösestrom ans Netz angeschlossen werden.



Sollte das Anschlusskabel beschädigt sein, ziehen Sie sofort den Netzstecker.

Sicheres Arbeiten

1. Vor Arbeitsbeginn sicherstellen, dass die Motorsäge einwandfrei funktioniert und deren Zustand den Sicherheitsbestimmungen entspricht. Stellen Sie insbesondere sicher, dass:
 - die Kettenbremse ordnungsgemäß funktioniert,
 - die Auslaufbremse ordnungsgemäß funktioniert,
 - die Schiene und der Kettenradschutz ordnungsgemäß angebracht sind,
 - die Kette vorschriftsgemäß geschärft und gespannt ist,
 - das Netzkabel und der Netzstecker nicht beschädigt sind;

Siehe Abschnitt „PRÜFUNGEN“.

2. Stellen Sie insbesondere stets sicher, dass das verwendete Verlängerungskabel einen entsprechenden Durchmesser hat (siehe „SPEZIFIKATIONEN“). Bei Verwendung einer Kabelrolle sollte das Kabel vollständig abgewickelt werden. Wenn Sie die Säge im Freien verwenden, stellen Sie sicher, dass das verwendete Kabel für den Einsatz im Freien zugelassen und entsprechend gekennzeichnet ist.
3. Halten Sie das Kabel vom Sägebereich fern und positionieren Sie das Kabel so, dass es sich nicht beim Sägen in Ästen u.ä. verfängt.
4. Die Motorsäge nicht in der Nähe von entzündlichem Staub oder Gasen betreiben, da der Motor Funken erzeugt. **Explosionsgefahr!**
5. Arbeiten Sie nur auf stabilem Untergrund und achten Sie dabei auf sicheren Stand. Achten Sie besonders auf Hindernisse (z.B. das Kabel) im Arbeitsbereich. Seien Sie besonders vorsichtig bei Glätte durch Nässe, Eis, Schnee, frisch geschnittenes Holz oder frisch geschälte Rinde. Nicht auf Leitern oder Bäumen mit der Säge arbeiten.
6. Seien Sie besonders vorsichtig, wenn Sie in schrägem Gelände arbeiten, da heranrollende Baumstämme und Äste eine mögliche Gefahr darstellen.
7. Sägen Sie niemals über Schulterhöhe.
8. **Halten Sie beim Einschalten und bei der Arbeit die Motorsäge mit beiden Händen fest.** Halten Sie den hinteren Griff mit Ihrer rechten und den vorderen Griff mit Ihrer linken Hand fest. Umfassen Sie die Griffe fest mit Ihren Daumen. Die Schiene und die Kette dürfen beim Einschalten der Säge keine Gegenstände berühren. (**Abb. 1**)
9. Säubern Sie den zu sägenden Bereich von Fremdkörpern wie Sand, Steinen, Nägeln, Draht, etc. Fremdkörper beschädigen die Schiene und Sägekette und können zum gefährlichen Rückschlag führen.
10. Seien Sie besonders vorsichtig, wenn Sie in der Nähe von Drahtzäunen sägen. Sägen Sie nicht in den Zaun, da sonst ein Rückschlagen der Säge möglich ist.
11. Sägen Sie niemals in den Untergrund.
12. Sägen Sie Holzstücke stets einzeln, niemals in Bündeln oder Stapeln.
13. Vermeiden Sie das Sägen von dünnen Ästen und Wurzeln, da sich diese in der Motorsäge verfangen können. Gefahr durch Verlust des Gleichgewichts.
14. Verwenden Sie beim Sägen von Schnittholz eine sichere Auflage (Sägebock).

15. Verwenden Sie die Motorsäge nicht zum Abhebeln oder Wegschaufeln von Holzstücken und sonstigen Gegenständen.
16. Führen Sie die Motorsäge so, dass sich kein Körperteil im verlängerten Schwenkbereich der Sägekette befindet (siehe Abbildung). (**Abb. 2**)
17. Aktivieren Sie bei einem Standortwechsel während der Arbeit die Kettenbremse, um ein unbeabsichtigtes Anlaufen der Sägekette zu vermeiden. Tragen Sie die Motorsäge am vorderen Griff und halten Sie Ihren Finger nicht am Schalter.
18. Ziehen Sie den Netzstecker, wenn Sie eine Pause einlegen oder die Motorsäge unbeaufsichtigt lassen. Die Motorsäge ist so abzustellen, dass niemand gefährdet werden kann.

Rückschlag

1. Beim Arbeiten mit der Motorsäge kann es zum gefährlichen Rückschlag kommen. Dieser Rückschlag entsteht, wenn die Schienenspitze (insbesondere das obere Viertel) mit Holz oder einem anderen festen Gegenstand in Berührung kommt. Dies führt dazu, dass die Motorsäge in Richtung des Bedieners ausschlägt. (**Abb. 3**)
2. Um einen Rückschlag zu vermeiden, beachten Sie Folgendes:
 - Setzen Sie niemals mit der Schienenspitze zum Schnitt an.
 - Sägen Sie niemals mit der Schienenspitze. Seien Sie besonders vorsichtig, wenn Sie bereits begonnene Schnitte fortsetzen.
 - Beginnen Sie den Schnitt mit laufender Sägekette.
 - Die Sägekette stets richtig schärfen. Dabei ist besonders auf die richtige Höhe des Tiefenanschlags zu achten.
 - Niemals mehrere Äste auf einmal durchsägen.
 - Achten Sie beim Entasten darauf, dass die Schiene nicht mit anderen Ästen in Berührung kommt.
 - Beim Ablängen von angrenzenden Baumstämmen fernhalten. Achten Sie stets auf die Schienenspitze.
 - Verwenden Sie einen Sägebock.

Sicherheitseinrichtungen

1. Prüfen Sie vor Arbeitsbeginn immer die Funktionstüchtigkeit der Sicherheitseinrichtungen. Verwenden Sie die Motorsäge nicht, wenn die Sicherheitseinrichtungen nicht ordnungsgemäß funktionieren.
 - **Kettenbremse:**
Die Motorsäge ist mit einer Kettenbremse ausgerüstet, die im Bruchteil einer Sekunde die Sägekette zum Stillstand bringt. Sie wird ausgelöst, wenn der Handschutz nach vorne gedrückt wird. Die Sägekette stoppt innerhalb von 0,15 s und die Stromzufuhr zum Motor wird unterbrochen. (**Abb. 4**)
 - **Auslaufbremse:**
Die Motorsäge ist mit einer Auslaufbremse ausgestattet. Sie bewirkt, dass nach dem Loslassen des Ein/Aus-Schalters die Sägekette unmittelbar zum Stillstand kommt. Dies verhindert das gefährliche Nachlaufen der Sägekette nach dem Ausschalten.
 - Der **vordere und hintere Handschutz** schützen den Bediener vor Verletzungen durch nach hinten

geschleuderte Holzstücke oder durch eine gerissene Sägekette.

- Die **Schalerverriegelung** verhindert ein unbeabsichtigtes Einschalten der Motorsäge.
- Der **Kettenfänger** schützt den Bediener vor Verletzungen, die durch eine abgesprungene oder gerissene Kette entstehen können.

Transport und Lagerung



Bei Nichtgebrauch oder zum Transport den Netzstecker ziehen und den mitgelieferten Schutz auf die Führungsschiene aufsetzen. Niemals die Motorsäge mit laufender Sägekette tragen oder transportieren.

1. Tragen Sie die Motorsäge nur am vorderen Griff, so dass die Schiene nach hinten zeigt.
2. Bewahren Sie die Motorsäge in einem sicheren, trockenen und abschließbaren Raum, außerhalb der Reichweite von Kindern auf. Lagern Sie die Motorsäge nicht im Freien.

Wartung

1. Ziehen Sie den Netzstecker aus der Steckdose, bevor Sie Einstellungen oder Wartungsarbeiten durchführen.
2. Überprüfen Sie das Stromkabel regelmäßig auf Beschädigungen der Isolierung.
3. Reinigen Sie die Motorsäge regelmäßig.
4. Veranlassen Sie bei Beschädigungen des Kunststoffgehäuses sofort eine fachgerechte Reparatur.
5. Verwenden Sie die Säge nicht, wenn der Ein/Aus-Schalter nicht ordnungsgemäß funktioniert. Lassen Sie diesen bei Bedarf fachgerecht reparieren.
6. Es dürfen unter keinen Umständen bauliche Veränderungen an der Motorsäge vorgenommen werden. Sie gefährden hierdurch Ihre Sicherheit.
7. Führen Sie ausschließlich die in dieser Betriebsanleitung beschriebenen Wartungs- oder Reparaturarbeiten durch. Alle darüber hinausgehenden Arbeiten müssen von autorisierten Servicecentern durchgeführt werden.
8. Verwenden Sie nur Original-Ersatzteile und Zubehör, die für Ihr Sägemodell bestimmt sind. Bei Verwendung von anderen Teilen besteht erhöhte Unfallgefahr.
9. Wir übernehmen keine Haftung für Unfälle oder Schäden, die durch den Einsatz von nicht zugelassenen Schienen, Sägeketten, anderen Ersatzteilen oder Zubehör entstehen.

Erste Hilfe



Arbeiten Sie niemals alleine. Eine weitere Person sollte sich stets in Rufweite befinden.

1. Halten Sie immer einen Verbandskasten zur Hand. Füllen Sie entnommenes Material sofort wieder auf.
2. Wenn Sie bei einem Unfall Hilfe anfordern, geben Sie folgende Angaben durch:
 - Wo ist der Unfall passiert?
 - Was ist passiert?
 - Wie viele Verletzte gibt es?
 - Welche Verletzungen haben diese?
 - Wer meldet den Unfall?

HINWEIS:

Wenn sich Personen mit Durchblutungsstörungen zu starken mechanischen Schwingungen aussetzen, kann es zu Schädigungen von Blutgefäßen und/oder Nervensystem kommen.

Folgende Symptome können durch Vibrationen an Fingern, Händen oder Handgelenken auftreten: „Einschlafen“ von Körperteilen (Benommenheit), Kribbeln, Schmerz, Stechen, Veränderung von Hautfarbe oder Haut.

Falls eines dieser Symptome auftritt, suchen Sie einen Arzt auf!

BEWAHREN SIE DIESE ANLEITUNG SORGFÄLTIG AUF.

⚠️ WARNUNG:

Lassen Sie sich NIEMALS aus Bequemlichkeit oder (aus fortwährendem Gebrauch gewonnener) Vertrautheit mit dem Werkzeug dazu verleiten, die Sicherheitsregeln für das Werkzeug zu missachten. Bei MISSBRÄUCLICHER Verwendung des Werkzeugs oder bei Missachtung der in diesem Handbuch enthaltenen Sicherheitshinweise kann es zu schweren Verletzungen kommen.

BEZEICHNUNG DER BAUTEILE (Abb. 5)

MONTAGE

⚠️ ACHTUNG:

- Schalten Sie das Werkzeug stets aus und ziehen Sie den Netzstecker, bevor Sie irgendwelche Arbeiten am Werkzeug durchführen.

Montieren und Demontieren der Sägekette

⚠️ ACHTUNG:

- Tragen Sie während der Montage oder Demontage der Sägekette stets Handschuhe.

Führen Sie zur Demontage der Sägekette die folgenden Schritte durch:

1. Drücken und öffnen Sie den Hebel vollständig bis zum Anschlag. **(Abb. 6)**
2. Drehen Sie den Hebel entgegen dem Uhrzeigersinn, um den Kettenradschutz zu lösen, bis dieser sich abnehmen lässt.
3. Drehen Sie das Einstellrad in „-“ Richtung, um die Kettenspannung zu lockern. **(Abb. 7)**
4. Entfernen Sie den Kettenradschutz.
5. Entfernen Sie die Sägekette und die Führungsschiene von der Motorsäge.

Führen Sie zur Montage der Sägekette die folgenden Schritte durch:

6. Vergewissern Sie sich bezüglich der Laufrichtung der Kette. Die Markierung auf der Kette zeigt die Laufrichtung der Kette. **(Abb. 8)**
7. Führen Sie das eine Ende der Sägekette auf die Oberseite der Führungsschiene und das andere Ende um das Kettenrad.
8. Setzen Sie die Führungsschiene an der richtigen Stelle auf die Motorsäge.

9. Richten Sie die Zugseite mit der Öffnung auf der Führungsschiene aus. **(Abb. 9)**
10. Halten Sie die Führungsschiene und drehen Sie das Einstellrad in „+“ Richtung, um die Sägekettenspannung zu regulieren.
11. Positionieren Sie den Kettenradschutz so, dass die Haken in die Öffnungen passen und der Stift in sein Gegenstück auf dem Kettenradschutz passt. **(Abb. 10)**
12. Drehen Sie den Hebel im Uhrzeigersinn, um den Kettenradschutz zu sichern. **(Abb. 11)**
13. Drücken Sie auf den Hebel und bringen Sie ihn wieder in seine Ausgangsposition.

Einstellen der Kettenspannung

Die Sägekette kann nach vielen Betriebsstunden locker werden. Prüfen Sie daher vor der Inbetriebnahme von Zeit zu Zeit die Kettenspannung.

1. Drücken und öffnen Sie den Hebel vollständig bis zum Klick. Drehen Sie ihn ein wenig entgegen dem Uhrzeigersinn, um den Kettenradschutz etwas zu lösen. **(Abb. 6)**
2. Heben Sie die Spitze der Führungsschiene leicht an. **(Abb. 12)**
3. Drehen Sie am Einstellrad, um die Sägekettenspannung einzustellen. Spannen Sie die Sägekette, bis die untere Seite der Sägekette in der Nut der Führungsschiene anliegt (siehe Kreis).
4. Halten Sie die Führungsschiene weiterhin leicht fest und ziehen Sie den Kettenradschutz fest an, nachdem die Kettenspannung eingestellt wurde. Achten Sie darauf, dass die Sägekette auf der unteren Seite nicht durchhängt.
5. Drücken Sie auf den Hebel und bringen Sie ihn wieder in seine Ausgangsposition. **(Abb. 13)**

Achten Sie darauf, dass die Sägekette eng an der unteren Seite der Schiene anliegt.

ACHTUNG:

- Ziehen Sie die Sägekette nicht zu fest an. Eine übermäßig hohe Kettenspannung kann zur Beschädigung der Sägekette, zum Verschleiß der Führungsschiene und zum Bruch des Einstellrads führen.
- Eine zu lockere Kette kann abspringen und stellt deshalb ein Unfallrisiko dar!
- Führen Sie den Vorgang zur Montage oder Demontage der Sägekette an einem sauberen Ort durch, der frei von Sägespänen u.ä. ist.

Anschluss des Verlängerungskabels

ACHTUNG:

- Vergewissern Sie sich, dass das Verlängerungskabel nicht an die Hauptsteckdose angeschlossen ist. **(Abb. 14)**

Sichern Sie beim Anschließen des Verlängerungskabels dieses mit dem Kabelhaken am Kabel der Motorsäge. Bringen Sie den Kabelhaken im Abstand von 100 bis 200 mm vom Stecker des Verlängerungskabels an. Dadurch wird ein versehentliches Abtrennen besser verhindert.

BETRIEB

Bedienen des Ein/Aus-Schalters (Abb. 15)

ACHTUNG:

- Schalten Sie das Werkzeug stets aus und ziehen Sie den Stecker, bevor Sie Einstellungen oder eine Funktionsprüfung am Ein/Aus-Schalter vornehmen.
- Achten Sie vor dem Einstecken des Werkzeugnetzsteckers in die Steckdose darauf, dass sich der Ein/Aus-Schalter korrekt bedienen lässt und beim Loslassen in die Position „OFF“ (AUS) zurückkehrt.

HINWEIS:

- Schalten Sie das Werkzeug nicht innerhalb einer kurzen Zeit (unter fünf Sekunden) zu oft ein- und aus. Dadurch kommt es zu einem Temperaturanstieg im Inneren des Werkzeugs, wodurch das Werkzeug beschädigt werden kann. Diese Zeitspanne ist von der Lufttemperatur und von weiteren Faktoren abhängig. **(Abb. 16)**

Damit der Ein/Aus-Schalter nicht versehentlich betätigt wird, verfügt das Werkzeug über eine Arretiertaste. Um das Werkzeug zu starten, drücken Sie zuerst die Arretiertaste und betätigen Sie dann den Ein/Aus-Schalter. Lassen Sie zum Ausschalten des Werkzeugs den Ein/Aus-Schalter los.

Schmierung

ACHTUNG:

- Schalten Sie das Werkzeug aus und ziehen Sie den Stecker, bevor Sie die Sägekette schmieren.
- Verwenden Sie zur Schmierung der Sägekette und Schiene ein biologisch abbaubares Sägekettenöl mit Haftzusatz. Der Haftzusatz im Sägekettenöl verhindert ein zu schnelles Abschleudern des Öls von der Sägevorrichtung. Die Verwendung von Mineralölen ist nicht zulässig, da dies zu Umweltschäden führt. **(Abb. 17)**

ACHTUNG:

- Haut- und Augenkontakt mit dem Öl vermeiden. Augenkontakt mit Öl führt zu Reizungen. Bei Augenkontakt sofort das betroffene Auge mit klarem Wasser spülen. Danach sofort einen Arzt aufsuchen.
- Verwenden Sie niemals Altöl. Altöl enthält krebserregende Wirkstoffe. Die Verunreinigungen im Altöl führen zu vorzeitigem Verschleiß der Ölpumpe, der Schiene und der Sägekette. Altöl ist umweltschädlich.
- Wenn die Motorsäge das erste Mal mit Kettenöl befüllt wird oder der Tank vorher komplett entleert wurde, dann unbedingt Öl bis zur Unterkante des Einfüllstutzens einfüllen. Ansonsten kann die Ölzufuhr beeinträchtigt werden.

Führen Sie zum Befüllen mit Öl die folgenden Schritte durch: **(Abb. 18)**

1. Säubern Sie den Bereich um den Öltankverschluss sorgfältig, um zu verhindern, dass Schmutz in den Öltank eindringt.
2. Schrauben Sie den Öltankverschluss ab und füllen Sie bis zur Unterkante des Einfüllstutzens Öl ein.
3. Schrauben Sie den Öltankverschluss wieder fest auf.
4. Wischen Sie eventuell übergelaufenes Kettenöl sorgfältig ab.

HINWEIS:

- Bei der ersten Inbetriebnahme der Motorsäge kann es bis zu zwei Minuten dauern, bis das Sägekettenöl beginnt, die Sägevorrichtung zu schmieren. Lassen Sie die Säge so lange ohne Last laufen (siehe „PRÜFUNGEN“).

PRÜFUNGEN

Führen Sie vor Arbeitsbeginn die folgenden Prüfungen durch:

Überprüfung der Kettenspannung

⚠️ WARNUNG:

- Ziehen Sie immer den Netzstecker, bevor Sie die Kettenspannung überprüfen und tragen Sie Schutzhandschuhe.

Achten Sie darauf, dass die Sägekette eng an der unteren Seite der Schiene anliegt (siehe Kreis). **(Abb. 12)** Überprüfen Sie die Kettenspannung häufig, da sich neue Sägeketten längen.

Eine übermäßig hohe Kettenspannung kann zur Beschädigung der Sägekette, zum Verschleiß der Führungsschiene und zum Bruch der Einstellrad führen. Eine zu lockere Kette kann abspringen und stellt deshalb ein Unfallrisiko dar!

Falls die Kette zu locker ist: Spannen Sie die Kette wieder wie unter „Einstellen der Kettenspannung“ beschrieben.

Überprüfen des Ein/Aus-Schalters

⚠️ ACHTUNG:

Achten Sie vor dem Einstecken des Werkzeugnetzsteckers in die Steckdose darauf, dass sich der Ein/Aus-Schalter korrekt bedienen lässt und beim Loslassen in die Position „OFF“ (AUS) zurückkehrt. Damit der Ein/Aus-Schalter nicht versehentlich betätigt wird, verfügt das Werkzeug über eine Arretiertaste.

Um das Werkzeug zu starten, drücken Sie zuerst die Arretiertaste und betätigen Sie dann den Ein/Aus-Schalter. Lassen Sie zum Ausschalten des Werkzeugs den Ein/Aus-Schalter los.

Betätigen Sie den Ein/Aus-Schalter niemals mit Gewalt, ohne dabei die Arretiertaste zu drücken. Dadurch kann der Schalter beschädigt werden.

Überprüfen der Kettenbremse

HINWEIS:

- Überprüfen Sie, ob die Kettenbremse gelöst ist, falls die Motorsäge nicht anläuft. Ziehen Sie zum Lösen der Kettenbremse den Handschutz fest zurück, bis Sie ein Einrasten bemerken. **(Abb. 19 und 20)**

So prüfen Sie die Kettenbremse:

1. Halten Sie die Motorsäge beim Einschalten mit beiden Händen fest. Halten Sie die rechte Hand am hinteren Griff und die linke Hand am vorderen Griff. Vergewissern Sie sich, dass die Schiene und die Kette nicht mit irgendwelchen Objekten in Berührung kommen.
2. Drücken Sie zunächst die Arretiertaste, danach den Ein/Aus-Schalter. Die Sägekette läuft sofort an.

3. Drücken Sie den vorderen Handschutz mit dem Handrücken nach vorne. Vergewissern Sie sich, dass die Sägekette unverzüglich zum Stillstand kommt.

⚠️ ACHTUNG:

- Sollte die Sägekette nicht sofort stoppen, verwenden Sie die Säge unter keinen Umständen weiter. Wenden Sie sich an ein von Makita autorisiertes Servicecenter.

Überprüfen der Auslaufbremse

Schalten Sie die Motorsäge ein.

Lassen Sie den Ein/Aus-Schalter ganz los. Vergewissern Sie sich, dass die Sägekette innerhalb einer Sekunde zum Stillstand kommt.

⚠️ ACHTUNG:

- Sollte die Sägekette nicht sofort stoppen, verwenden Sie die Säge unter keinen Umständen weiter. Wenden Sie sich an ein von Makita autorisiertes Servicecenter.

Überprüfung der Kettenschmierung

Überprüfen Sie vor Arbeitsbeginn den Ölstand im Tank und die Ölzufuhr.

Sie können den Ölstand im Sichtfenster wie in der Abbildung dargestellt ablesen. **(Abb. 21)**

So prüfen Sie die Ölzufuhr:

Starten Sie die Motorsäge.

Halten Sie die laufende Motorsäge ca. 15 cm über einen Baumstumpf oder den Boden. Bei ausreichender Schmierung bildet sich eine leichte Ölspur durch das abspritzende Öl.

Achten Sie auf die Windrichtung und setzen Sie sich nicht unnötig dem Schmierölnebel aus.

⚠️ ACHTUNG:

- Wenn sich keine Ölspur bildet, nehmen Sie die Säge nicht in Betrieb. Ansonsten wird die Lebensdauer der Sägekette verkürzt. Überprüfen Sie den Ölstand. Reinigen Sie die Ölführungsnut und die Öleintrittsbohrung in der Schiene (siehe „WARTUNG“).

Einstellen der Kettenschmierung (Abb. 22)

Die Förderrate der Ölpumpe kann mit der Einstellschraube eingestellt werden.

⚠️ ACHTUNG:

- Verwenden Sie immer einen vorderen Griff und einen hinteren Griff und halten Sie das Werkzeug während des Betriebs sowohl am vorderen als auch am hinteren Griff fest.
- Sichern Sie stets das zu sägende Holz. Andernfalls können Sägebruchstücke zu Verletzungen führen.

ARBEITEN MIT DER MOTORSÄGE

Ablängen (Abb. 23)

Bei Ablängschnitten die Zackenleiste wie in der Abbildung dargestellt an das zu schneidende Holz ansetzen.

Mit laufender Motorsäge in das Holz sägen. Die Säge dabei am hinteren Griff hochziehen und am vorderen Griff führen. Verwenden Sie die Zackenleiste als Drehpunkt. Setzen Sie mit leichtem Druck auf den vorderen Griff nach. Ziehen Sie dabei die Säge etwas zurück. Die

Zackenleiste tiefer ansetzen und erneut den vorderen Griff hochziehen.

Wenn Sie mehrere Schnitte durchführen, schalten Sie die Motorsäge zwischen den Schnitten aus.

ACHTUNG:

- Beim Sägen mit der Schienenoberseite kann die Säge in Ihre Richtung ausschlagen, wenn die Sägekette einklemmt. Deshalb sollten Sie mit der Schienenunterseite sägen, da dann die Säge vom Körper weg ausschlägt. **(Abb. 24)**

Sägen Sie Holz unter Spannung zuerst auf der Druckseite (A) ein. Sägen Sie dann den Trennschnitt auf der Zugseite (B). So vermeiden Sie ein Einklemmen der Sägechiene. **(Abb. 25)**

Entasten

ACHTUNG:

- Entastungsarbeiten dürfen nur von geschulten Personen durchgeführt werden. Es droht Verletzungsgefahr durch Rückschlag.

Beim Entasten sollte die Motorsäge möglichst am Stamm abgestützt werden. Sägen Sie nicht mit der Schienenspitze, da dies zum Rückschlag führen kann. Unbedingt auf unter Spannung stehende Äste achten. Freihängende Äste nicht von unten durchtrennen. Führen Sie Entastungsarbeiten niemals auf dem liegenden Stamm stehend durch.

Stech- und Längsschnitte

ACHTUNG:

- Stech- und Längsschnitte dürfen nur von geschulten Personen durchgeführt werden. Verletzungsgefahr durch Rückschlag.

Setzen Sie Längsschnitte in einem möglichst flachen Winkel an. Gehen Sie dabei besonders vorsichtig vor, da die Zackenleiste nicht verwendet werden kann. **(Abb. 26)**

Fällen

ACHTUNG:

- Fällarbeiten dürfen nur von geschulten Personen durchgeführt werden. Diese Arbeiten sind gefährlich. Beachten Sie die lokalen Vorschriften, wenn Sie einen Baum fällen möchten. **(Abb. 27)**
- Vor Beginn des Fällens sicherstellen, dass:
 - (1) sich im Fällbereich nur Personen aufhalten, die mit den Fällarbeiten beschäftigt sind,
 - (2) alle beteiligten Personen an beiden Seiten der Fällachse in einem Winkel von etwa 45° ungehindert zurückweichen können. Beachten Sie die zusätzliche Stolpergefahr über Elektrokabel;
 - (3) der Stammfuß frei von Fremdkörpern, Wurzeln und Ästen ist,
 - (4) sich in Fallrichtung in einer Entfernung von 2 1/2 Baumlängen weder Personen noch Gegenstände befinden.
- Beachten Sie bei jedem Baum Folgendes:
 - Neigungsrichtung,
 - lose oder trockene Äste,
 - Baumhöhe,
 - natürlichen Überhang,
 - ob der Baum faul ist.

- Beachten Sie die Windgeschwindigkeit und -richtung. Führen Sie bei stärkeren Windböen keine Fällarbeiten durch.
- Beschneiden der Wurzelanläufe: Beginnen Sie mit dem größten Wurzelanlauf. Führen Sie zunächst den senkrechten und danach den waagerechten Schnitt durch.
- Fallkerb schneiden: Der Fallkerb gibt dem Baum die Fallrichtung und Führung. Er wird auf der Seite angelegt, zu der der Baum fallen soll. Fallkerb möglichst bodennah anlegen. Sägen Sie zuerst den waagerechten Schnitt bis auf eine Tiefe von 1/5 - 1/3 des Stammdurchmessers. Fallkerb nicht zu groß sägen. Sägen Sie dann den schrägen Schnitt. **(Abb. 28)**
- Schneiden Sie Fallkerbkorrekturen auf der ganzen Breite nach.
- Legen Sie den Fällschnitt etwas höher als die Fallkerbsohle an. Der Fällschnitt muss genau waagrecht ausgeführt werden. Lassen Sie vor dem Fallkerb ca. 1/10 des Stammdurchmessers als Bruchleiste stehen. Die Holzfasern im nicht durchtrennten Stamm dienen als Gelenkteil. Die Fasern dürfen auf keinen Fall durchtrennt werden, da sonst der Baum unkontrolliert fällt. Bringen Sie rechtzeitig Keile in den Fällschnitt ein. **(Abb. 29)**
- Der Fällschnitt darf nur mit Keilen aus Kunststoff oder Aluminium offengehalten werden. Die Verwendung von Eisenkeilen ist verboten.
- Nur seitwärts vom fallenden Baum aufhalten. In einem Winkel von 45° nach hinten vom fallenden Baum entfernen (siehe Abbildung „Fällbereich“). Achten Sie dabei auf fallende Äste.
- Ein Fluchtweg sollte geplant und bei Bedarf geräumt werden, bevor mit dem Schneiden begonnen wird. Der Fluchtweg sollte sich nach hinten und diagonal zur Rückseite der erwarteten Fallrichtung erstrecken, wie in der Abbildung dargestellt. **(Abb. 30)**

WARTUNG

ACHTUNG:

- Schalten Sie das Gerät aus und ziehen Sie immer den Netzstecker, bevor Sie Inspektionen oder Wartungsarbeiten am Gerät vornehmen.
 - Tragen Sie während der Inspektion oder Wartung immer Handschuhe.
 - Verwenden Sie zum Reinigen niemals Kraftstoffe, Benzin, Verdünner, Alkohol oder ähnliches. Dies kann zu Verfärbungen, Verformungen oder Rissen führen.
- Führen Sie die unten aufgeführten Wartungsarbeiten in regelmäßigen Abständen durch. Garantieansprüche werden nur dann anerkannt, wenn diese Arbeiten regelmäßig und ordnungsgemäß ausgeführt wurden. Sie dürfen nur Wartungsarbeiten durchführen, die in dieser Bedienungsanleitung beschrieben sind. Alle darüber hinausgehenden Arbeiten müssen von MAKITA autorisierten Servicecentern durchgeführt werden.

Reinigen der Motorsäge

Reinigen Sie die Säge regelmäßig mit einem sauberen Tuch. Besonders die Griffe müssen frei von Öl sein.

Überprüfen des Kunststoffgehäuses

Führen Sie regelmäßig eine Sichtprüfung aller Gehäuseteile durch. Lassen Sie beschädigte Teile sofort und ordnungsgemäß in von MAKITA autorisierten Servicecentern reparieren.

Schärfen der Sägekette

⚠️ ACHTUNG:

- Bei allen Arbeiten an der Sägekette unbedingt den Netzstecker ziehen und Schutzhandschuhe tragen.

Die Sägekette schärfen, wenn: (Abb. 31)

- mehliges Sägespäne beim Sägen von feuchtem Holz entstehen,
- die Sägekette auch bei stärkerem Druck nur mühevoll ins Holz zieht,
- die Schnittkante sichtbar beschädigt ist,
- die Säge im Holz einseitig nach links oder rechts verläuft. Die Ursache hierfür liegt in einer ungleichmäßigen Schärfung der Sägekette oder in einer einseitigen Beschädigung.

Schärfen Sie die Sägekette häufig, aber entfernen Sie dabei nur wenig Material.

Für das einfache Nachschärfen genügen meist zwei bis drei Feilenstriche. Lassen Sie nach mehrmaligem Schärfen die Sägekette in einem von MAKITA autorisierten Servicecenter nachschärfen.

Schärfkriterien:

- Die Höhe aller Hobelzähne muss gleich sein. Verschieden hohe Hobelzähne verursachen einen rauen Kettenlauf und können zum Kettenriss führen.
- Sägekette nicht erneut schärfen, wenn die Mindestlänge der Hobelzähne von 3 mm erreicht ist. Sie müssen dann eine neue Sägekette einbauen.
- Die Spandicke wird durch den Abstand zwischen dem Tiefenanschlag (runde Nase) und der Schnittkante bestimmt.
- Die besten Schnittergebnisse werden durch den folgenden Abstand zwischen der Schnittkante und dem Tiefenanschlag erzielt.
Kettenblatt 90PX: 0,5 mm
Kettenblatt 91PX: 0,65 mm (Abb. 32)

⚠️ WARNUNG:

- Ein zu großer Abstand erhöht die Rückschlaggefahr.
- Der Schärfwinkel von 30° muss bei allen Hobelzähnen gleich sein. Unterschiedliche Winkel verursachen einen rauen, ungleichmäßigen Kettenlauf, führen zu vorzeitigem Verschleiß und zum Kettenbruch.
- Der Zahnbrustwinkel wird durch die Eindringtiefe der Rundfeile bestimmt. Wenn die vorgeschriebene Feile richtig geführt wird, ergibt sich der korrekte Zahnbrustwinkel automatisch.
- Der Zahnbrustwinkel für jede Sägekette beträgt:
Kettenblatt 90PX: 75°
Kettenblatt 91PX: 80° (Abb. 33)

Feile und Feilenführung

- Verwenden Sie zum Schärfen eine Spezial-Sägekettenrundfeile (optionales Zubehör). Normale Rundfeilen sind nicht geeignet.
- Der Durchmesser der Rundfeile für jede Sägekette beträgt:

Kettenblatt 90PX: 4,5 mm
Kettenblatt 91PX: 4,0 mm

- Die Feile sollte nur im Vorwärtsstrich in den Hobelzahn greifen. Beim Zurückführen die Feile vom Hobelzahn abheben.
- Schärfen Sie den kürzesten Hobelzahn zuerst. Dann wird die Länge des kürzesten Hobelzahns zum Richtwert für alle anderen Hobelzähne auf der Sägekette.
- Führen Sie die Feile wie in der Abbildung dargestellt. (Abb. 34)
- Ein Feilenhalter (optionales Zubehör) erleichtert die Feilenführung. Er besitzt Markierungen für den korrekten Schärfwinkel von 30° (Markierungen parallel zur Sägekette ausrichten) und begrenzt die Eindringtiefe (4/5 des Feilendurchmessers). (Abb. 35)
- Nach dem Nachschärfen der Sägekette die Höhe des Tiefenanschlags mit der Kettenmesslehre (optionales Zubehör) prüfen. (Abb. 36)
- Entfernen Sie jeglichen Überstand, auch wenn noch so gering, mit einer Spezial-Flachfeile (optionales Zubehör).
- Runden Sie den Tiefenanschlag vorne wieder ab.

Reinigen der Führungsschiene und Schmieren des Kettenrads

⚠️ ACHTUNG:

- Bei dieser Arbeit unbedingt Schutzhandschuhe tragen. Verletzungsgefahr an Graten.

Die Laufflächen der Schiene regelmäßig auf Beschädigungen überprüfen. Diese mit geeignetem Werkzeug reinigen und falls notwendig entgraten.

(Abb. 37)

Bei intensiver Nutzung der Motorsäge das Lager des Kettenrads mindestens einmal wöchentlich nachschmieren. Reinigen Sie die 2 mm große Öffnung an der Führungsschienspitze vor dem Nachschmieren sorgfältig und pressen Sie eine geringe Menge Mehrzweckfett (optionales Zubehör) in die Öffnung ein.

Reinigen der Ölführung (Abb. 38)

- Reinigen Sie die Ölführungsnut und die Öleintrittsbohrung der Sägeschiene in regelmäßigen Abständen.

Neue Sägeketten

Verwenden Sie zwei bis drei Sägeketten wechselweise, damit sich Sägekette, Kettenrad und Laufflächen der Schiene gleichmäßig abnutzen.

Wenden Sie beim Kettenwechsel die Schiene, um ein gleichmäßiges Abnutzen der Schienennut zu erreichen.

⚠️ ACHTUNG:

- Nur für diese Säge zugelassene Ketten und Schienen verwenden (siehe „SPEZIFIKATIONEN“).

Bevor Sie eine neue Sägekette auflegen, überprüfen Sie den Zustand des Kettenrades. (Abb. 39)

⚠️ ACHTUNG:

- Ein abgenutztes Kettenrad führt an einer neuen Kette zu Beschädigungen. Lassen Sie das Kettenrad unbedingt auswechseln.

Setzen Sie beim Wechsel des Kettenrades immer einen neuen Sicherungsring ein.

Wartung der Ketten- und Auslaufbremse

Die Bremssysteme sind sehr wichtige Sicherheitseinrichtungen. Wie alle anderen Teile der Motorsäge unterliegen sie einem gewissen Verschleißgrad. Sie müssen regelmäßig von MAKITA autorisierten Servicecentern überprüft werden. Diese Maßnahme dient Ihrer persönlichen Sicherheit.

Aufbewahrung des Werkzeugs

Biologisch abbaubares Sägekettenöl ist nur begrenzt haltbar. Nach einer Frist von zwei Jahren ab dem Herstellungsdatum neigen Bio-Öle zu Verklebungen und verursachen dadurch Schäden an der Ölpumpe und den Öl führenden Bauteilen.

- Vor einer längeren Außerbetriebnahme den Öltank entleeren und anschließend mit einer geringen Menge Motoröl (SAE 30) befüllen.
- Lassen Sie die Motorsäge einige Zeit laufen, damit alle Rückstände des Bio-Öls aus dem Tank, Ölleitungssystem und Sägevorrichtung gespült werden.

HINWEIS:

- Wenn die Motorsäge außer Betrieb genommen wird, laufen noch einige Zeit geringe Mengen von Kettenöl aus. Dies ist normal und deutet nicht auf einen Fehler hin.

Bewahren Sie die Motorsäge auf einer geeigneten Unterlage auf.

Für die erneute Inbetriebnahme wieder frisches BIOTOP Sägekettenöl einfüllen.

Zur Gewährleistung der SICHERHEIT und ZUVERLÄSSIGKEIT des Produkts dürfen Reparaturen, Inspektion und Austausch der Kohlebürsten sowie alle anderen Wartungsarbeiten und Einstellungen nur in von Makita autorisierten Servicecentern ausgeführt werden. Dabei sind ausschließlich Makita-Ersatzteile zu verwenden.

PROBLEMBEHEBUNG

Prüfen Sie das Werkzeug erst selbst, bevor Sie eine Reparatur in Auftrag geben. Falls Sie vor einem Problem stehen, das nicht in der Betriebsanleitung erläutert ist, bauen Sie das Werkzeug nicht selbst auseinander. Wenden Sie sich stattdessen an ein von Makita autorisiertes Servicecenter.

Fehlfunktionsstatus	Mögliche Ursache	Abhilfe
Die Motorsäge startet nicht.	Keine Stromzufuhr.	An die Stromversorgung anschließen. Stromversorgung überprüfen.
	Kabel defekt.	Beenden Sie die Verwendung des Werkzeuges sofort und wenden Sie sich an ein autorisiertes Servicecenter in Ihrer Nähe.
	Fehlfunktion des Werkzeuges.	Beenden Sie die Verwendung des Werkzeuges sofort und wenden Sie sich an ein autorisiertes Servicecenter in Ihrer Nähe.
Die Kette läuft nicht.	Die Kettenbremse ist angezogen.	Lösen Sie die Kettenbremse.
Unzureichende Leistung.	Kohlebürsten abgenutzt.	Wenden Sie sich zwecks Reparatur an Ihr örtliches, autorisiertes Servicecenter.
Kein Öl auf der Sägekette.	Öltank ist leer.	Füllen Sie den Öltank.
	Ölführungsnut ist verschmutzt	Reinigen Sie die Nut.
	Einstellschraube der Ölpumpe ist falsch eingestellt.	Stellen Sie die Förderrate der Ölpumpe ein.
Die Kette stoppt nicht, selbst wenn die Kettenbremse angezogen ist.	Bremsband verschlissen.	Beenden Sie die Verwendung des Werkzeuges sofort und wenden Sie sich an ein autorisiertes Servicecenter in Ihrer Nähe.
Das Werkzeug vibriert unnormal.	Lösen Sie die Führungsschiene oder Sägekette.	Stellen Sie die Spannung der Führungsschiene und der Sägekette ein.
	Fehlfunktion des Werkzeuges.	Beenden Sie die Verwendung des Werkzeuges sofort und wenden Sie sich an ein autorisiertes Servicecenter in Ihrer Nähe.

014314

SONDERZUBEHÖR

ACHTUNG:

- Für das in diesem Handbuch beschriebene Makita-Gerät werden die folgenden Zubehör- und Zusatzteile empfohlen. Bei Verwendung anderer Zubehör- und Zusatzteile kann es zu Verletzungen kommen.

Verwenden Sie Zubehör- und Zusatzteile nur für den vorgesehenen Zweck.

Informationen zu diesem Zubehör erhalten Sie von Ihrem Makita-Servicecenter.

- Sägekette
- Schutz für die Führungsschiene
- Führungsschiene
- Kettenmesslehre

- Rundfeile 4,0 mm
- Rundfeile 4,5 mm
- Flachfeile
- Feilenhalter mit 4,0 mm Feile
- Feilenhalter mit 4,5 mm Feile
- Feilengriff
- Sägenkettenöl
- Mehrzweckfett
- Fettpresse

HINWEIS:

- Einige der in der Liste aufgeführten Elemente sind dem Werkzeugpaket als Standardzubehör beigelegt. Diese können in den einzelnen Ländern voneinander abweichen.

Schallpegel

ENG905-1

Typischer A-bewerteter Schallpegel nach EN60745:

- Schalldruckpegel (L_{pA}): 90,3 dB (A)
- Schalleistungspegel (L_{WA}): 101,3 dB (A)
- Abweichung (K): 2,5 dB (A)

Tragen Sie Gehörschutz!

Schwingung

ENG900-1

Schwingungsgesamtwerte (Vektorsumme dreier Achsen) nach EN60745:

- Betriebsmodus: Sägen von Holz
- Schwingungsbelastung (a_h): 4,7 m/s²
- Abweichung (K): 1,5 m/s²

ENG901-1

- Der hier angegebene Wert für die erzeugten Schwingungen wurde gemäß dem genormten Testverfahren ermittelt und kann als Vergleich zu anderen Werkzeugen herangezogen werden.
- Der angegebene Wert für die erzeugten Schwingungen ist außerdem für eine vorbeugende Bewertung der Belastung zu verwenden.

⚠️ WARNUNG:

- Die Schwingungsbelastung kann bei tatsächlichem Gebrauch des Elektrowerkzeugs in Abhängigkeit von der Handhabung des Elektrowerkzeugs von dem hier aufgeführten Wert abweichen.
- Stellen Sie sicher, dass Schutzmaßnahmen für den Bediener getroffen werden, die auf den unter den tatsächlichen Arbeitsbedingungen zu erwartenden Belastungen beruhen (beziehen Sie alle Bestandteile des Arbeitsablaufs ein, also zusätzlich zu den Arbeitszeiten auch Zeiten, in denen das Werkzeug ausgeschaltet ist oder ohne Last läuft).

Nur für europäische Länder

ENH021-8

EG-Konformitätserklärung

Makita erklärt, dass die nachfolgende(n) Maschine(n):

- Bezeichnung der Maschine(n):
Motorsäge
- Nummer/Typ des Modells: UC3041A, UC3541A, UC4041A
- Spezifikationen: siehe Tabelle „SPEZIFIKATIONEN“.

den folgenden Richtlinien der Europäischen Union genügt/genügen:

2000/14/EG, 2006/42/EG

Sie werden gemäß den folgenden Standards oder Normen gefertigt:

EN60745

Die technischen Unterlagen gemäß 2006/42/EG sind erhältlich von:

Makita, Jan-Baptist Vinkstraat 2, 3070, Belgien

Das Verfahren zur Konformitätsbewertung, vorgesehen in 2000/14/EG, erfolgte in Übereinstimmung mit Anhang V. Gemessener Schalleistungspegel: 102,2 dB (A) Garantierter Schalleistungspegel: 104 dB (A)

26. 4. 2013



Yasushi Fukaya
Direktor

Makita, Jan-Baptist Vinkstraat 2, 3070, Belgien

ITALIANO (Istruzioni originali)

Spiegazione della vista generale

- | | | |
|-------------------------------|--|--------------------------------------|
| 1. Freno catena innestato | 17. Perno fermacatena | 31. Chiudere |
| 2. Freno catena disinnestato | 18. Coperchio della barra di guida | 32. Aprire |
| 3. Impugnatura posteriore | 19. Gancio del cavo | 33. Area di abbattimento |
| 4. Interruttore di accensione | 20. Vite di regolazione per la pompa dell'olio (in fondo) | 34. Direzione dell'abbattimento |
| 5. Tappo serbatoio olio | 21. Pignone | 35. Zona di pericolo |
| 6. Impugnatura anteriore | 22. Foro | 36. Via di fuga |
| 7. Paramano anteriore | 23. Gancio | 37. Lunghezza lama |
| 8. Barra di guida | 24. Perno | 38. Distanza tra tagliente e bordino |
| 9. Catena della sega | 25. Allentare | 39. Minimo 3 mm |
| 10. Leva | 26. Serrare | 40. Angolo di inclinazione laterale |
| 11. Carter pignone | 27. Cavo di alimentazione | 41. Scanalatura di guida dell'olio |
| 12. Ghiera di regolazione | 28. Prolunga | 42. Foro di lubrificazione |
| 13. Paramani posteriore | 29. Spina e presa (la forma può variare a seconda del paese) | |
| 14. Vetro spia olio | 30. Cinghia | |
| 15. Paraurti spike | | |
| 16. Sicura di accensione | | |

SPECIFICHE TECNICHE

Modello		UC3041A		UC3541A		UC4041A	
Velocità max. della catena		14,5 m/s (870 m/min)					
Barra di guida standard	Lunghezza barra	300 mm		350 mm		400 mm	
	Lunghezza di taglio	265 mm		325 mm		360 mm	
	Tipo di barra di guida	Barra del pignone					
Catena standard	Tipo	90PX	91PX	90PX	91PX	90PX	91PX
	Passo	3/8"					
	N. maglie traz.	46		52		56	
Lungh. consigliata barra di guida		300 - 400 mm					
Lunghezza (senza barra di guida)		455 mm					
Peso netto		4,6 kg		4,7 kg		4,7 kg	
Prolunga (opzionale)		DIN 57282/HO 7RN -F L = 30 m max., 3 x 1,5 mm ²					

- Le caratteristiche tecniche riportate di seguito sono soggette a modifiche senza preavviso in virtù del nostro programma continuo di ricerca e sviluppo.
- Le caratteristiche tecniche possono differire da paese a paese.
- Peso determinato in conformità con la EPTA-Procedure 01/2003

Simbolo

END218-7

Di seguito sono riportati i simboli utilizzati per l'apparecchio. È importante comprenderne il significato prima dell'uso.



..... Attenzione: contraccolpo!



..... Proteggere da pioggia e umidità!



..... Indossare elmetto, occhiali protettivi e cuffie antirumore!



..... Indossare guanti protettivi!



..... Scollegare la spina!



..... Pronto soccorso



..... Lunghezza di taglio massima consentita



..... Direzione della catena



..... Olio catena



..... Freno catena disinnestato



..... Leggere il manuale di istruzioni attenendosi alle avvertenze e alle prescrizioni di sicurezza.



..... Indossare una protezione visiva.



..... Indossare una protezione acustica.



..... ISOLAMENTO DOPPIO



..... Attenzione: si richiede un'attenzione speciale!



..... Attenzione: nell'eventualità che il cavo venga danneggiato, scollegare immediatamente l'alimentazione!



..... Freno catena innestato



..... Vietato!



..... Solo per Paesi UE

Non gettare le apparecchiature elettriche tra i rifiuti domestici.

Secondo la Direttiva Europea sui rifiuti di apparecchiature elettriche ed elettroniche e la sua attuazione in conformità alle norme nazionali, le apparecchiature elettriche esauste devono essere raccolte separatamente, al fine di essere riciclate in modo eco-compatibile.

Uso previsto

ENE085-1

L'utensile è concepito per il taglio di legname e tronchi.

Alimentazione

ENF002-2

L'utensile deve essere collegato a una presa di corrente con la stessa tensione di quella indicata sulla targhetta e può funzionare soltanto con corrente alternata monofase. L'utensile è dotato di doppio isolamento, pertanto può essere usato anche con prese di corrente sprovviste della messa a terra.

Per reti elettriche a bassa tensione tra 220 V e 250 V.

ENF100-1

L'accensione e lo spegnimento degli apparecchi elettrici causano oscillazioni della tensione. Il funzionamento del presente dispositivo in condizioni diverse da quelle consigliate può provocare effetti negativi sul funzionamento di altri apparecchi. Non dovrebbero presentarsi problemi con un'impedenza di rete pari o inferiore a 0,29 Ohm. La presa di corrente utilizzata per il dispositivo deve essere protetta da un fusibile o da un interruttore di protezione del circuito con caratteristiche di scatto lento.

Avvertenze generali di sicurezza per l'uso dell'utensile

GEA010-1

⚠ AVVERTENZA Leggere attentamente tutte le avvertenze di sicurezza e le istruzioni. La mancata osservanza delle istruzioni e delle avvertenze riportate di seguito potrebbe provocare scosse elettriche, incendi e/o lesioni gravi.

Conservare le avvertenze e le istruzioni per riferimenti futuri.

Avvertenze di sicurezza per l'uso della motosega

GEB037-8

1. **Tenere lontane tutte le parti del corpo dalla catena durante il funzionamento della motosega. Prima di avviare la motosega, assicurarsi che la catena non sia a contatto con qualcosa.** Un attimo di disattenzione durante il lavoro con la motosega può far sì che abiti o parti del corpo si impiglino nella catena.
2. **Tenere sempre l'impugnatura posteriore della motosega con la mano destra e quella anteriore con la mano sinistra.** Tenere la motosega al contrario rispetto a quanto indicato precedentemente

aumenta il rischio di lesioni personali e ciò non dovrebbe mai essere fatto.

3. **Impugnare l'utensile esclusivamente per le superfici di presa isolate, poiché la catena della motosega potrebbe venire a contatto con conduttori nascosti o con il proprio cavo di alimentazione.** Se la catena della motosega entra a contatto con un filo percorso da corrente, le parti metalliche esposte dell'utensile si troveranno anch'esse sotto tensione e potrebbero provocare scosse elettriche all'operatore.
4. **Indossare occhiali di sicurezza e protezioni acustiche. Si consiglia di indossare un ulteriore equipaggiamento di protezione per la testa, le mani, le gambe e i piedi.** Indumenti di protezione adeguati riducono il rischio di lesioni personali causate dai residui volanti o dal contatto accidentale con la catena.
5. **Non utilizzare la motosega su un albero.** L'utilizzo della motosega mentre ci si trova su un albero può provocare lesioni personali.
6. **Mantenere sempre un equilibrio adeguato e utilizzare la motosega solo quando ci si trova su una superficie stabile, sicura e piana.** Le superfici scivolose o instabili, quali ad esempio le scale a pioli, potrebbero causare la perdita dell'equilibrio o del controllo della motosega.
7. **Quando si taglia un ramo che si trova in tensione, prestare attenzione al ritorno elastico.** Quando la tensione nelle fibre del legno viene rilasciata, il ramo carico di tensione elastica potrebbe colpire l'operatore e/o causare la perdita di controllo della motosega.
8. **Prestare estrema cautela quando si tagliano cespugli e arbusti.** I rami sottili potrebbero colpire la catena ed essere scagliati verso l'operatore o provocare la perdita di equilibrio.
9. **Trasportare la motosega tenendola dall'impugnatura anteriore, assicurandosi che l'alimentazione sia disattivata, e mantenendola lontana dal corpo. Quando si trasporta o si ripone la motosega, inserire sempre il coperchio della barra di guida.** Se si maneggia adeguatamente la motosega, si ridurrà la probabilità di contatti accidentali con la catena in movimento.
10. **Osservare le istruzioni di lubrificazione, tensione della catena e sostituzione degli accessori.** Se la tensione o la lubrificazione della catena non sono adeguate, si potrebbero verificare guasti o potrebbe aumentare il rischio di contraccolpi.
11. **Accertarsi che le maniglie siano asciutte, pulite e prive di olio e grasso.** La presenza di olio o grasso sulle maniglie può renderle scivolose e può causare la perdita di controllo.
12. **Utilizzare solamente per il taglio del legno. Non utilizzare la motosega per usi diversi da quelli previsti. Ad esempio: non utilizzare la motosega per tagliare plastica, muratura o materiali diversi dal legno.** L'uso della motosega per operazioni diverse da quelle previste potrebbe portare a situazioni pericolose.
13. **Cause e prevenzione dei contraccolpi:** Potrebbero verificarsi contraccolpi quando il becco o la punta della barra di guida toccano un oggetto, o

quando il legno si richiude e intrappola la catena all'interno del taglio.

In alcuni casi il contatto della punta potrebbe provocare un improvviso movimento inverso, sollevando la barra di guida e colpendo l'operatore. L'incastro della catena lungo l'estremità della barra di guida potrebbe spingere velocemente la barra di guida verso l'operatore.

Entrambe queste reazioni potrebbero causare la perdita di controllo della motosega e provocare lesioni personali gravi. Non fare affidamento esclusivamente sui dispositivi di sicurezza previsti dalla motosega. L'operatore dovrebbe sempre prendere vari accorgimenti per evitare che il lavoro effettuato provochi incidenti o lesioni.

I contraccolpi sono determinati dall'uso improprio dell'utensile e/o da procedure o condizioni operative errate e possono essere evitati adottando le specifiche precauzioni illustrate di seguito:

- **Impugnare saldamente l'utensile, posizionando il pollice e le dita di entrambe le mani attorno alle maniglie della motosega e posizionando il corpo e il braccio in modo tale da poter resistere ai contraccolpi.** I contraccolpi possono essere controllati dall'operatore adottando precauzioni appropriate. Non lasciare andare la motosega. (Fig. 1)
- **Evitare rischi inutili e non eseguire tagli a un'altezza superiore a quella delle spalle.** Questo eviterà il contatto accidentale della punta e consentirà di controllare meglio la motosega in situazioni impreviste.
- **Utilizzare solamente barre e catene di ricambio specificate dal produttore.** Barre e catene di ricambio non adeguate potrebbero causare la rottura della catena e/o contraccolpi.
- **Attenersi alle indicazioni di affilatura e manutenzione della catena fornite dal produttore.** Ridurre l'altezza del bordino potrebbe causare un aumento dei contraccolpi.

REGOLE DI SICUREZZA AGGIUNTIVE

1. Prima dell'uso, leggere il manuale di istruzioni relativamente al funzionamento della motosega.
2. Al primo utilizzo dell'utensile, fare in modo di ricevere istruzioni sul funzionamento. Nel caso non sia possibile, fare una prova di taglio appoggiando un ceppo di legno su un cavalletto.
3. L'uso della motosega non è consentito ai minori di 18 anni. Le persone tra 16 anni e 18 anni possono essere esentate da questa restrizione se stanno imparando l'uso dell'utensile sotto la supervisione di un esperto.
4. L'utilizzo della motosega richiede molta concentrazione. Non utilizzare la motosega quando non si è in buone condizioni fisiche! Eseguire il lavoro con calma e precisione.
5. Non utilizzare l'utensile quando si è sotto l'influenza di alcool, droghe o farmaci.

Uso corretto

1. La motosega è concepita esclusivamente per il taglio di legname. Non utilizzarla per tagliare altri materiali come plastica o calcestruzzo.
2. Utilizzare la motosega esclusivamente per le operazioni descritte nel presente manuale. Ad esempio, **non** utilizzarla per tagliare siepi o operazioni simili.
3. Non utilizzare la motosega per lavori forestali, come l'abbattimento di alberi e la sramatura tronchi in posizione verticale. Infatti, il cavo della motosega non consente all'operatore la mobilità e la sicurezza richieste per questo tipo di lavori.
4. La motosega non è pensata per un uso commerciale.
5. Non sovraccaricare la motosega.

Dispositivi di protezione personale

1. L'abbigliamento deve essere aderente, ma non tale da limitare i movimenti.
2. Durante l'utilizzo dell'utensile, indossare i seguenti dispositivi di protezione:
 - Elmetto di protezione omologato, nei casi in cui vi sia rischio di caduta di rami o materiale simile;
 - Visiera facciale o occhiali di protezione;
 - Protezione acustica adeguata (cuffie foniche, tappi fonizzanti personalizzati o modellabili). Su richiesta è disponibile l'analisi in bande di ottava.
 - Guanti protettivi in pelle resistente;
 - Pantaloni lunghi in tessuto resistente;
 - Tuta di cotone protettiva in tessuto resistente al taglio;
 - Calzature antinfortunistiche (scarpe o stivali) con soles antiscivolo, puntale in acciaio e fodera in tessuto resistente al taglio;
 - Maschera per i lavori in cui si producano polveri, ad esempio nella segatura di legno secco.

Protezione contro le scosse elettriche



Non utilizzare la motosega in condizioni ambientali o ambienti umidi poiché il motore elettrico non è a tenuta stagna.

1. Inserire la spina esclusivamente in prese di impianti elettrici omologati. Verificare che la tensione di rete corrisponda a quella indicata sulla targhetta dell'utensile. Verificare che sia predisposto un fusibile di linea da 16 A. Se utilizzata all'aperto, la sega deve essere collegata a un interruttore differenziale avente una corrente di funzionamento non superiore a 30 mA.



In caso di danni al cavo, scollegare subito la spina.

Linee guida per un utilizzo sicuro

1. Prima di usare la motosega, verificare che la stessa sia in buone condizioni di funzionamento e risponda alle norme di sicurezza. In particolare, verificare che:
 - Il freno catena funzioni correttamente;
 - Il freno motore funzioni correttamente;
 - La barra di guida e il carter del pignone siano montati correttamente;
 - La catena sia affilata e abbia una tensione rispondente alle disposizioni in vigore;
 - Il cavo e la spina non siano danneggiati.

Vedere la sezione "VERIFICHE".

2. Verificare, nello specifico, che il cavo della prolunga utilizzata sia della sezione adeguata (vedere la sezione "SPECIFICHE TECNICHE"). Se si usa un avvolgicavo, srotolare totalmente il cavo. Per utilizzare la sega all'aperto, verificare che il cavo impiegato sia adatto all'uso per esterni e abbia la portata adeguata.
3. Tenere il cavo lontano dall'area di taglio e posizionarlo in modo tale che non rimanga impigliato nei rami e simili durante le operazioni di taglio.
4. Poiché il motore genera scintille, non avviare la motosega in prossimità di polveri o gas infiammabili, che sarebbero causa di **rischio di esplosioni**.
5. Lavorare solo su terreni solidi e avere un equilibrio stabile. Verificare che non vi siano ostacoli, ad esempio cavi, nell'area di lavoro. Prestare particolare attenzione durante il lavoro quando l'umidità, il ghiaccio, la neve, legna appena tagliata o corteccia possono rendere scivolose le superfici. Non utilizzare la sega quando si è su una scala o su un albero.
6. Prestare particolare attenzione quando si lavora su terreni inclinati; tronchi che rotolano e rami possono rappresentare un potenziale pericolo.
7. Non eseguire tagli a un'altezza superiore a quella delle spalle.
8. **Afferrare la motosega con entrambe le mani durante l'accensione e l'uso.** Tenere l'impugnatura posteriore con la mano destra e quella anteriore con la mano sinistra. Tenere ferme le impugnature usando i pollici. La barra di guida e la catena non devono essere a contatto con l'oggetto da tagliare quando si accende la motosega. **(Fig. 1)**
9. Pulire la zona da tagliare eliminando oggetti estranei come sabbia, sassi, chiodi, cavi, ecc. Tali oggetti estranei danneggiano la barra di guida e la catena, con la possibilità di pericolosi contraccolpi.
10. Prestare particolare attenzione quando si lavora in prossimità di recinzioni elettrificate. Non tagliare la recinzione: pericolo di contraccolpo.
11. Non inserire la motosega accesa nel terreno.
12. Tagliare i ceppi singolarmente, non in fascine o pile.
13. Non utilizzare la sega per tagliare rami e radici sottili, che potrebbero rimanere impigliati nella catena. La perdita di equilibrio rappresenta un potenziale pericolo.
14. Utilizzare un supporto stabile (cavalletto) per tagliare ceppi sezionati.
15. Non utilizzare la motosega per fare leva o spazzare lo sporco da ceppi o altri oggetti.
16. Guidare la motosega facendo in modo che nessuna parte del corpo dell'operatore si trovi nel raggio di azione della catena (vedere figura). **(Fig. 2)**
17. Mentre ci si sposta da un punto all'altro di lavoro, inserire il freno catena per evitare l'avvio accidentale della stessa. Tenere la motosega dall'impugnatura anteriore durante gli spostamenti e allontanare il dito dall'interruttore.
18. Durante le pause o quando si lascia la motosega incustodita, scollegare la spina. Lasciare la motosega in zone dove non rappresenti un pericolo.

Contraccolpo

1. Mentre si usa la motosega sono possibili pericolosi contraccolpi, che si verificano quando la punta della barra di guida, specialmente il quarto superiore, entra

in contatto con il legno o altro oggetto solido. A seguito del contraccolpo, la motosega viene deviata verso l'operatore. **(Fig. 3)**

2. Per evitare il contraccolpo, attenersi alle seguenti linee guida:
 - Non iniziare mai a tagliare usando la punta della barra di guida.
 - Non utilizzare la punta della barra di guida per eseguire tagli. Prestare particolare attenzione quando si riprendono tagli già iniziati.
 - Avviare il taglio con la catena già in funzione.
 - Tenere la catena correttamente affilata. In particolare, mantenere il bordino all'altezza corretta.
 - Non segare più rami alla volta.
 - Durante la sramatura, evitare che la barra di guida tocchi altri rami.
 - Durante la sezionatura, stare lontani dai ceppi adiacenti. Tenere sempre sotto controllo la punta della barra di guida.
 - Utilizzare un cavalletto.

Elementi di sicurezza

1. Prima dell'uso, verificare sempre che gli elementi di sicurezza funzionino correttamente. Non utilizzare la motosega se tali elementi presentano un funzionamento non conforme.
 - **Freno catena:**
La motosega è provvista di un freno catena che arresta la catena in una frazione di secondo. Viene attivato spingendo in avanti il paramano. La motosega si arresta entro 0,15 secondi e l'alimentazione viene staccata. **(Fig. 4)**
 - **Freno motore:**
La motosega è provvista di un freno motore che la arresta immediatamente agendo sull'interruttore principale (ON/OFF). Esso evita che la motosega si accenda dopo lo spegnimento e sia causa di pericolo per l'operatore.
 - **I paramenti anteriore e posteriore** proteggono l'operatore da lesioni dovute a pezzi di legno scagliati all'indietro o alla rottura della catena.
 - **Il dispositivo di blocco** del grilletto evita l'accensione accidentale della motosega.
 - **Il perno fermacatena** protegge l'operatore dalle lesioni che possono essere causate dai contraccolpi o la rottura della catena.

Trasporto e conservazione



Quando la motosega non viene utilizzata e durante il trasporto, scollegare la spina e inserire il coperchio della barra di guida fornito con la motosega. Non trasportare o spostare la motosega mentre è in funzione.

1. Trasportare la motosega afferrandola esclusivamente dall'impugnatura anteriore, con la barra di guida rivolta all'indietro.
2. Tenere la motosega in luogo sicuro, asciutto e chiuso a chiave, lontano dalla portata dei bambini. Non conservare la motosega in ambiente esterno.

Manutenzione

1. Estrarre la spina dalla presa di corrente prima di eseguire qualsiasi intervento di regolazione o manutenzione.
2. Controllare con regolarità che il cavo di alimentazione sia sempre ben isolato.
3. Pulire la motosega con regolarità.
4. Far riparare immediatamente e in modo adeguato l'alloggiamento in plastica.
5. Non utilizzare la sega se l'interruttore di accensione non funziona correttamente. In tal caso, farlo riparare.
6. In nessun caso apportare modifiche alla motosega. Qualsiasi intervento di questo tipo rappresenta un rischio per la sicurezza.
7. Eseguire solo gli interventi di manutenzione o riparazione indicati nel presente manuale di istruzioni. Eventuali altri lavori devono essere svolti dai centri di assistenza autorizzati.
8. Utilizzare solo i ricambi originali e gli accessori previsti per il proprio modello di motosega. L'utilizzo di ricambi non originali aumenta il rischio di incidenti.
9. Makita non si assume alcuna responsabilità per incidenti o danni dovuti all'uso di barre, catene o altri ricambi o accessori non approvati.

Pronto soccorso



Non lavorare da soli. Tenersi sempre a una distanza da altri operatori tale da poterli chiamare gridando.

1. Tenere a portata di mano una cassetta di pronto soccorso. Sostituire subito eventuali articoli rimossi o utilizzati.
2. Nel caso si richieda assistenza per un incidente, indicare quanto segue:
 - Dove si è verificato l'incidente
 - Cosa è accaduto
 - Il numero di persone ferite
 - Quali lesioni sono state procurate
 - La persona che riferisce dell'incidente

NOTA:

Gli operatori che soffrono di insufficienza venosa, se esposti a vibrazioni eccessive, possono riportare danni ai vasi sanguigni o al sistema nervoso.

Le vibrazioni possono causare i seguenti sintomi alle dita, alle mani o ai polsi: torpore, formicolio, dolore, fitte acute, alterazione della pelle o del suo colore.

Consultare un medico non appena si manifestano tali sintomi.

CONSERVARE QUESTE ISTRUZIONI.

⚠ AVVERTENZA:

NON lasciare che la familiarità acquisita con il prodotto (dovuta all'uso ripetuto) provochi l'inosservanza delle norme di sicurezza. L'USO IMPROPRIO o la mancata osservanza delle norme di sicurezza indicate in questo manuale di istruzioni possono provocare gravi danni alla persona.

NOMENCLATURA DELLE PARTI (Fig. 5)

MONTAGGIO

⚠ ATTENZIONE:

- Prima di iniziare qualsiasi operazione sull'utensile, verificare sempre di averlo spento e scollegato dall'alimentazione.

Installazione o rimozione della catena della sega

⚠ ATTENZIONE:

- Per queste operazioni, indossare sempre i guanti protettivi.

Per rimuovere la catena, adottare la seguente procedura:

1. Premere e aprire completamente la leva fino all'arresto. (Fig. 6)
2. Ruotare la leva in senso antiorario per allentare il carter del pignone finché non si stacca.
3. Girare la ghiera di regolazione nella direzione " - " per disinnestare la tensione della catena. (Fig. 7)
4. Rimuovere il carter del pignone.
5. Rimuovere la catena e la barra di guida.

Per installare la catena, adottare la seguente procedura:

6. Assicurarsi che la direzione della catena sia corretta. La direzione è indicata dalla freccia sulla catena. (Fig. 8)
7. Agganciare un'estremità della catena sulla punta della barra di guida e l'altra estremità intorno al pignone.
8. Posizionare la barra di guida nella motosega.
9. Allineare la slitta tenditrice al foro della barra di guida. (Fig. 9)
10. Tenere la barra di guida e girare la ghiera di regolazione nella direzione " + " per regolare la tensione della catena.
11. Posizionare il carter del pignone in modo tale che i ganci si inseriscano nei fori e il perno nel carter del pignone. (Fig. 10)
12. Girare la leva in senso orario per fissare il carter del pignone. (Fig. 11)
13. Premere e riportare la leva nella posizione di partenza.

Regolazione della tensione della catena

Dopo diverse ore di utilizzo, la catena può allentarsi. È quindi necessario verificarne periodicamente la tensione prima dell'uso.

1. Premere e aprire completamente la leva fino al clic. Ruotarla un po' in senso antiorario per allentare leggermente il carter del pignone. (Fig. 6)
2. Sollevare leggermente la punta della barra di guida. (Fig. 12)
3. Girare la ghiera di regolazione per calibrare la tensione della catena della sega. Serrare la catena della sega finché il lato inferiore di quest'ultima non si inserisce nel binario della barra di guida (vedere il cerchio).
4. Continuando a mantenere leggermente la barra di guida, serrare il carter del pignone dopo aver regolato la tensione della catena. Accertarsi che la catena della sega non sia allentata sul lato inferiore.

5. Premere e riportare la leva nella posizione di partenza. (Fig. 13)

Accertarsi che la catena della sega sia ben collocata contro il lato inferiore della barra.

⚠ ATTENZIONE:

- Non serrare troppo la catena. Una tensione eccessiva può provocare la rottura della catena, l'usura della barra di guida e la rottura della ghiera di regolazione.
- Una catena troppo allentata può sganciarsi dalla barra di guida e rappresentare un pericolo.
- Eseguire la procedura di installazione o rimozione della catena in un luogo pulito privo di polvere e simili.

Uso della prolunga

⚠ ATTENZIONE:

- Verificare che la prolunga non sia collegata alla presa elettrica. (Fig. 14)

Per utilizzare la prolunga, collegarla al cavo di alimentazione della motosega mediante il gancio del cavo.

Collegare il gancio del cavo a circa 100 - 200 mm dalla spina della prolunga. Questo impedirà che la prolunga si scolleghi accidentalmente.

USO

Azionamento dell'interruttore (Fig. 15)

⚠ ATTENZIONE:

- Accertarsi sempre che l'utensile sia spento e scollegato prima di verificare il funzionamento dell'interruttore di accensione.
- Prima di collegare l'utensile, controllare se l'interruttore funziona correttamente e ritorna alla posizione "OFF" una volta rilasciato.

NOTA:

- Non accendere e spegnere l'utensile a intervalli di tempo troppo ravvicinati (cinque secondi o meno). La temperatura interna potrebbe salire causando danni all'utensile stesso. L'intervallo varia in base alla temperatura ambientale e ad altre condizioni. (Fig. 16)

La sicura di accensione consente di evitare l'azionamento involontario dell'interruttore di accensione.

Per accendere l'utensile, premere la sicura di accensione e tirare l'interruttore di accensione. Rilasciare l'interruttore di accensione per spegnerlo.

Lubrificazione

⚠ ATTENZIONE:

- Prima di lubrificare la catena, accertarsi sempre che l'utensile sia spento e scollegato.

Lubrificare la catena e la barra di guida utilizzando olio specifico biodegradabile avente l'adeguata viscosità. La sostanza viscosa presente nell'olio per catena evita che questo venga versato troppo velocemente sulla sega.

Non utilizzare olii minerali, poiché dannosi per l'ambiente. (Fig. 17)

⚠ ATTENZIONE:

- Evitare che l'olio entri in contatto con pelle e occhi, ai quali provoca irritazione. In caso di contatto con gli

occhi, lavare subito con abbondante acqua corrente e rivolgersi a un medico.

- Non utilizzare olio esausto, in quanto contenente sostanze cancerogene. Le sostanze inquinanti presenti nell'olio esausto accelerano l'usura della pompa dell'olio, della barra di guida e della catena. L'olio esausto è dannoso per l'ambiente.
- Quando si carica per la prima volta la motosega con l'olio per catena o si rabbocca il serbatoio dopo il suo totale svuotamento, aggiungere olio fino all'orlo del bocchettone di riempimento. In caso contrario, potrebbe essere compromessa l'alimentazione dell'olio.

Per rabboccare l'olio, adottare la seguente procedura: (Fig. 18)

1. Pulire accuratamente l'area intorno al tappo del serbatoio dell'olio, per evitare che corpi estranei entrino nel serbatoio.
2. Svitare il tappo del serbatoio dell'olio e rabboccare fino all'orlo del bocchettone.
3. Riavvitare saldamente il tappo.
4. Pulire con cura l'eventuale olio versato.

NOTA:

- Quando si usa la motosega per la prima volta, possono essere necessari fino a due minuti di attesa prima che l'olio inizi a lubrificare l'ingranaggio della catena. Far funzionare la motosega a vuoto fino a quando le maglie risultano ben lubrificate (vedere la sezione "VERIFICHE").

VERIFICHE

Prima di avviare il lavoro, svolgere le seguenti verifiche:

Verifica della tensione della catena

⚠ AVVERTENZA:

- Prima di verificare la tensione della catena, scollegare la spina e indossare guanti protettivi.

Accertarsi che la catena della sega sia ben collocata contro il lato inferiore della barra (vedere il cerchio). (Fig. 12)

(Fig. 12)

Verificare con regolarità la tensione della catena, poiché le catene nuove sono soggette ad allungamento.

Una tensione eccessiva può provocare la rottura della catena, l'usura della barra di guida e la rottura della ghiera di regolazione.

Una catena troppo allentata può sganciarsi dalla barra di guida e rappresentare un pericolo.

Se la catena è allentata: fare riferimento alla sezione "Regolazione della tensione della catena" e apportare le modifiche necessarie.

Verifica di funzionamento dell'interruttore

⚠ ATTENZIONE:

Prima di collegare l'utensile, controllare se l'interruttore funziona correttamente e ritorna in posizione "OFF" una volta rilasciato.

La sicura di accensione consente di evitare l'azionamento involontario dell'interruttore di accensione.

Per accendere l'utensile, premere la sicura di accensione e tirare l'interruttore di accensione. Rilasciare l'interruttore di accensione per spegnerlo.

Non tirare con forza l'interruttore senza aver prima premuto la sicura di accensione. In caso contrario, l'interruttore potrebbe rompersi.

Verifica del freno catena

NOTA:

- Se la motosega non si avvia, è necessario disinnestare il freno catena. Per allentare il freno catena, tirare il paramano con forza all'indietro fino allo scatto. (Fig. 19 e 20)

Controllare il freno catena procedendo come segue:

1. Afferrare la motosega con entrambe le mani durante l'accensione. Tenere l'impugnatura posteriore con la mano destra e quella anteriore con la mano sinistra. Assicurarsi che la barra di guida e la catena non siano a contatto con altri oggetti.
2. Premere innanzitutto la sicura, quindi l'interruttore di accensione. La catena si avvia direttamente.
3. Premere il paramano anteriore in avanti usando il dorso della mano. Assicurarsi che la catena si arresti immediatamente.

⚠ ATTENZIONE:

- Se la catena non si arresta immediatamente, non usare la motosega in nessun caso. Rivolgersi ai centri di assistenza autorizzati Makita.

Verifica del freno motore

Accendere la motosega.

Rilasciare totalmente l'interruttore di accensione.

Assicurarsi che la catena si arresti entro un secondo.

⚠ ATTENZIONE:

- Se la catena non si arresta immediatamente, non usare la motosega in nessun caso. Rivolgersi ai centri di assistenza autorizzati Makita.

Controllo dell'oliatore della catena

Prima di iniziare il lavoro, verificare il livello dell'olio nel serbatoio e controllare che la lubrificazione avvenga correttamente.

Il livello dell'olio è visibile dal vetro spia mostrato in figura.

(Fig. 21)

Verificare la lubrificazione procedendo come segue:

Avviare la motosega.

Mentre è in funzione, tenere la catena circa 15 cm sopra un ceppo d'albero o il terreno. Se la lubrificazione è corretta, lo spruzzo d'olio lascerà una lieve traccia.

Prestare attenzione alla direzione del vento e non esporsi al getto dell'olio inutilmente.

⚠ ATTENZIONE:

- Se l'olio non lascia tracce, non utilizzare la sega. L'assenza di lubrificazione riduce la vita d'uso della catena. Controllare il livello dell'olio. Pulire il canale e il foro di lubrificazione della barra di guida (vedere la sezione "MANUTENZIONE").

Regolazione della lubrificazione della catena (Fig. 22)

Si può regolare la velocità di avanzamento della pompa dell'olio con la vite di regolazione.

⚠ ATTENZIONE:

- Durante il funzionamento, afferrare sempre l'utensile utilizzando sia l'impugnatura anteriore sia l'impugnatura posteriore.
- Fissare sempre il ceppo da tagliare, onde evitare possibili lesioni da frammenti dello stesso.

FUNZIONAMENTO DELLA MOTOSEGA

Sezionatura (Fig. 23)

Per la sezionatura, appoggiare il paraurti spike nel tronco da tagliare (come mostrato in figura).

Con la catena azionata, segare il ceppo utilizzando l'impugnatura posteriore per sollevare la sega e quella posteriore per guidarla. Utilizzare il paraurti spike come punto di appoggio.

Continuare il taglio esercitando una leggera pressione sull'impugnatura anteriore e alleggerendo delicatamente la parte posteriore della sega. Spingere il paraurti spike più profondamente nel ceppo e sollevare di nuovo l'impugnatura anteriore.

Per eseguire più tagli, spegnere la motosega tra un taglio e l'altro.

⚠ ATTENZIONE:

- Se si utilizza il bordo superiore della barra di guida per tagliare, la motosega può essere deviata verso l'operatore se la catena si incastra. Per questo motivo, eseguire i tagli utilizzando il bordo inferiore, in modo che la sega sia deviata lontano dall'operatore. (Fig. 24)
- Eseguire il primo taglio sul lato in compressione (A). Quindi, eseguire l'ultimo taglio sul lato in trazione (B). Ciò evita che la barra di guida rimanga impigliata. (Fig. 25)

Sramatura

⚠ ATTENZIONE:

- La sramatura deve essere eseguita solo da personale preparato. Il possibile contraccolpo rappresenta un serio pericolo.

Durante la sramatura, se possibile appoggiare la motosega sul tronco. Non eseguire il taglio utilizzando la punta della barra di guida, poiché ciò può provocare un contraccolpo.

Prestare particolare attenzione ai rami in tensione. Non tagliare da sotto i rami non sorretti.

Durante la sramatura, non sostare sul tronco abbattuto.

Tagli a perforazione e tagli paralleli alla fibratura

⚠ ATTENZIONE:

- I tagli a perforazione e i tagli paralleli alla fibratura possono essere eseguiti esclusivamente da personale preparato. La possibilità di contraccolpi rappresenta un serio rischio di lesioni.

Eseguire i tagli paralleli alla fibratura con un'angolazione il più ridotta possibile. Poiché non è possibile utilizzare il paraurti spike, eseguire il taglio con la massima attenzione. (Fig. 26)

Abbattimento

ATTENZIONE:

• L'abbattimento deve essere eseguito solo da personale preparato, poiché si tratta di un'operazione pericolosa. Per l'abbattimento di un albero, osservare i regolamenti nazionali vigenti. (Fig. 27)

– Prima di iniziare l'abbattimento, verificare che:

- (1) Nell'area di lavoro siano presenti solo gli addetti;
- (2) Tutti gli addetti dispongano di una via di scampo priva di ostacoli entro un'angolazione di circa 45° nella direzione opposta a quella di caduta. Considerare il rischio aggiuntivo della presenza di cavi elettrici sulla via di scampo;
- (3) La base del tronco sia priva di oggetti estranei, radici e rami;
- (4) Non siano presenti persone o oggetti per una distanza pari a 2,5 volte l'altezza dell'albero nella direzione di caduta.

– In riferimento al singolo albero da abbattere, tenere in considerazione i seguenti fattori:

- Direzione di inclinazione;
- Rami sparsi o secchi;
- Altezza dell'albero;
- Sporgenze naturali;
- Condizioni dell'albero (marcio).

– Considerare la velocità e la direzione del vento. Non abbattere alberi in presenza di raffiche di vento eccessive.

– Taglio delle cordonature delle radici: iniziare con le cordonature grosse. Eseguire prima il taglio verticale, poi quello orizzontale.

– Tagliare la tacca: essa determina la direzione di caduta dell'albero e lo guida. Deve essere eseguita sul lato in cui deve cadere l'albero. Eseguire la tacca il più vicino possibile al suolo. Eseguire prima il taglio orizzontale a una profondità da 1/5 a 1/3 del diametro del tronco. Non incidere una tacca troppo ampia. Infine, eseguire il taglio diagonale. (Fig. 28)

– Eventuali correzioni alla tacca devono essere eseguite su tutta la sua ampiezza.

– Eseguire il taglio di abbattimento (sul lato opposto) leggermente sopra quello orizzontale della tacca. Il taglio di abbattimento deve essere esattamente orizzontale. Tra il taglio di abbattimento e la tacca lasciare circa 1/10 del diametro del tronco.

Le fibre di legno della porzione non tagliata fungono da cerniera. Non tagliare la cerniera durante il taglio di abbattimento, poiché l'albero potrebbe cadere senza controllo. Inserire tempestivamente dei cunei nel taglio di abbattimento. (Fig. 29)

– Usare solo cunei di plastica o alluminio per tenere aperto il taglio di abbattimento. È vietato l'uso di cunei di acciaio.

– Mantenersi lateralmente all'albero. Mantenere libera l'area di lavoro posteriormente all'albero con un'angolazione di 45° nella direzione opposta a quella di caduta (vedere la figura relativa "all'area di abbattimento"). Prestare attenzione ai rami in caduta.

– Prima di iniziare le operazioni di taglio, è necessario prevedere e sgomberare una via di fuga in base alle necessità. La via di fuga deve estendersi all'indietro e diagonalmente rispetto alla parte posteriore della linea prevista di caduta come illustrato in figura. (Fig. 30)

MANUTENZIONE

ATTENZIONE:

- Prima di effettuare operazioni di ispezione e manutenzione sull'utensile, verificare sempre di averlo spento e scollegato dall'alimentazione.
- Durante i controlli e la manutenzione indossare sempre i guanti protettivi.
- Evitare assolutamente di usare benzina, diluenti, solventi, alcol o sostanze simili. In caso contrario, potrebbero verificarsi scoloriture, deformazioni o incrinature.

Eseguire la manutenzione descritta di seguito a intervalli regolari. Le richieste di assistenza in garanzia sono valide solo se le operazioni seguenti vengono eseguite correttamente e regolarmente.

L'utente può eseguire esclusivamente gli interventi di manutenzione descritti nel presente manuale. Eventuali altri lavori devono essere svolti dai centri di assistenza autorizzati MAKITA.

Pulizia della motosega

Pulire con regolarità la motosega usando un panno pulito. In particolare, rimuovere tracce di olio dalle impugnature.

Verifica della scocca in plastica

Eseguire controlli visivi regolari su tutte le parti della scocca. Qualora qualsiasi parte risulti danneggiata, farla subito riparare correttamente dai centri di assistenza autorizzati MAKITA.

Affilatura della catena

ATTENZIONE:

- Per eseguire lavori sulla catena, scollegare sempre la spina e indossare guanti protettivi.

Affilare la catena se: (Fig. 31)

- Il taglio di legno bagnato produce segatura farinosa;
- La catena penetra nel legno con difficoltà, anche applicando una forte pressione;
- Il tagliente delle maglie è visibilmente danneggiato;
- La sega vira a destra o sinistra nel ceppo di legno. Tale comportamento è causato da un'affilatura non uniforme della catena o da rotture su un solo lato.

Affilare la catena con una certa frequenza, ma a ogni affilatura asportare solo una superficie ridotta.

Per un'affilatura ordinaria, sono sufficienti due o tre colpi di lima. Dopo diverse affilature, far affilare la catena da un centro di assistenza autorizzato MAKITA.

Criteri di affilatura:

- Le lame devono essere tutte della stessa lunghezza. Lame di lunghezza diversa non consentono un corretto funzionamento della catena e possono essere causa della sua rottura.
- Non affilare più la lama quando la lunghezza di taglio rimasta è di 3 mm. In tal caso, montare una catena nuova.
- Lo spessore dei trucioli è determinato dalla distanza esistente tra il bordino (dentino) e il tagliente.
- I migliori risultati di taglio si ottengono con la seguente distanza tra il tagliente e il bordino.
 - Lama della catena 90PX: 0,5 mm
 - Lama della catena 91PX: 0,65 mm (Fig. 32)

⚠ AVVERTENZA:

- Una distanza eccessiva accresce il rischio di contraccolpo.
- L'angolo di affilatura di 30° deve essere uguale per tutte le lame. Eventuali differenze di angolatura provocano un funzionamento irregolare dell'utensile, maggiore usura e più frequenti rotture della catena.
- L'angolo di inclinazione laterale della lama è determinato dalla profondità di penetrazione della lima tonda. Se la lima specifica viene utilizzata in modo corretto, si ottiene automaticamente l'angolatura di inclinazione laterale richiesta.
- Gli angoli di inclinazione laterale per ciascuna catena sono i seguenti:
 - Lama della catena 90PX: 75°
 - Lama della catena 91PX: 80° (Fig. 33)

Lima e guida della lima

- Per affilare la catena, utilizzare una lima tonda (accessorio opzionale) specifica. Non è possibile utilizzare le normali lime tonde.
- I diametri delle lime tonde per ciascuna catena sono i seguenti:
 - Lama della catena 90PX: 4,5 mm
 - Lama della catena 91PX: 4,0 mm
- La lima deve passare sulla lama solo nel colpo in avanti. Sollevare la lima dalla lama nel percorso di ritorno.
- Limare innanzitutto la lama più corta. Fatto questo, la lunghezza della lama più corta costituirà lo standard per tutte le altre lame della catena.
- Guidare la lima come mostrato in figura. (Fig. 34)
- L'uso della lima può essere ottimizzato utilizzando un affilatore (accessorio opzionale). L'affilatore presenta dei segni di riferimento per eseguire un corretto angolo di affilatura di 30° (allineare i segni parallelamente alla catena); esso limita inoltre la profondità di penetrazione (a 4/5 del diametro della lima). (Fig. 35)
- Dopo l'affilatura, verificare l'altezza del bordino utilizzando un calibro di misurazione della catena (accessorio opzionale). (Fig. 36)
- Rimuovere eventuale materiale sporgente, benché di minima entità, utilizzando una speciale lima piatta (accessorio opzionale).
- Arrotondare nuovamente il bordo anteriore del bordino.

Pulizia della barra di guida e lubrificazione del pignone

⚠ ATTENZIONE:

- Per questa operazione indossare sempre guanti protettivi. Le bave prodotte possono causare lesioni. Verificare regolarmente che le superfici mobili della barra di guida non siano danneggiate. Pulire utilizzando un apposito utensile e, se necessario, rimuovere le bave. (Fig. 37)
- Se la motosega è sottoposta a un uso frequente, lubrificare il cuscinetto del pignone almeno una volta alla settimana. Prima di aggiungere grasso nuovo, pulire accuratamente il foro da 2 mm sulla punta della barra di guida, quindi forzare nel foro una piccola quantità di grasso tipo multipurpose (accessorio opzionale).

Pulizia della guida dell'olio (Fig. 38)

- Pulire la scanalatura di guida dell'olio e il foro di lubrificazione della barra di guida a intervalli regolari.

Catene nuove

Alternare due o tre catene, in modo che la catena, il pignone e le superfici mobili si usurino uniformemente. Affinché la scanalatura della barra di guida si usuri in modo uniforme, rovesciare la barra quando si sostituisce la catena.

⚠ ATTENZIONE:

- Utilizzare solo catene e barre omologate per questo modello di motosega (vedere la sezione "SPECIFICHE TECNICHE").

Prima di montare la nuova catena, verificare lo stato del pignone. (Fig. 39)

⚠ ATTENZIONE:

- Un pignone usurato provoca danni alla nuova catena. In tal caso, far sostituire il pignone.

Quando si sostituisce il pignone, montare sempre una nuova ghiera di serraggio.

Manutenzione del freno catena e del freno motore

I sistemi di frenatura sono elementi di sicurezza molto importanti. Come qualsiasi altro componente della motosega, sono soggetti a usura. A intervalli regolari devono essere fatti controllare dai centri di assistenza autorizzati MAKITA. Tale disposizione è diretta a salvaguardare l'incolumità dell'operatore.

Immagazzinaggio

L'olio biodegradabile per catena può essere conservato per un periodo limitato. A due anni dalla produzione, gli oli di questo tipo acquisiscono una certa viscosità che provoca danni alla pompa dell'olio e ai componenti del sistema di lubrificazione.

- Se la motosega non viene utilizzata per lunghi periodi, svuotare il serbatoio dell'olio e riempirlo con una piccola quantità di olio per motori (SAE 30).
- Accendere la motosega per qualche secondo e far espellere i residui di olio biodegradabile dal serbatoio, dal sistema di lubrificazione e dall'ingranaggio della sega.

NOTA:

- Quando si ripone la motosega, piccole quantità di olio per catena fuoriescono per un breve periodo. Si tratta di un fenomeno normale e non è un segnale di guasto. Conservare la motosega su una superficie idonea. Prima di riutilizzare la motosega, riempire il serbatoio con olio per catena nuovo BIOTOP.
- Per mantenere la SICUREZZA e l'AFFIDABILITÀ del prodotto, le riparazioni, l'ispezione e la sostituzione delle spazzole in carbonio e qualsiasi altra operazione di manutenzione o regolazione devono essere eseguiti da un centro di assistenza Makita autorizzato, sempre utilizzando ricambi Makita.

RISOLUZIONE DEI PROBLEMI

Prima di richiedere la riparazione, condurre autonomamente un'ispezione. Se si individua un

problema non specificato nel manuale, non tentare di smontare l'utensile. Rivolgersi invece ai centri di assistenza autorizzati Makita.

Problema di funzionamento	Possibile causa	Soluzione
La motosega non si avvia.	Nessuna alimentazione.	Collegare la motosega all'alimentazione. Controllare l'alimentazione.
	Cavo difettoso.	Interrompere immediatamente l'uso dell'utensile e rivolgersi al locale centro di assistenza autorizzato.
	Malfunzionamento dell'utensile.	Interrompere immediatamente l'uso dell'utensile e rivolgersi al locale centro di assistenza autorizzato.
La catena non funziona.	Il freno catena è inserito.	Sbloccare il freno catena.
Prestazioni insufficienti.	Spazzola di carbone usurata.	Rivolgersi al più vicino centro di assistenza autorizzato per la riparazione.
Olio assente nella catena.	Serbatoio dell'olio vuoto.	Riempire il serbatoio dell'olio.
	Scanalatura di guida dell'olio sporca.	Pulire la scanalatura.
	La vite di regolazione della pompa dell'olio non è regolata correttamente.	Regolare la velocità di avanzamento della pompa dell'olio.
La catena non si arresta nemmeno inserendo il freno catena.	Banda frenante usurata.	Interrompere immediatamente l'uso dell'utensile e rivolgersi al locale centro di assistenza autorizzato.
L'utensile vibra in modo anomalo.	Barra di guida e/o catena allentata.	Regolare la tensione della barra di guida e/o della catena.
	Malfunzionamento dell'utensile.	Interrompere immediatamente l'uso dell'utensile e rivolgersi al locale centro di assistenza autorizzato.

014314

ACCESSORI OPZIONALI

ATTENZIONE:

- Si consiglia l'uso dei seguenti accessori per l'utensile Makita descritto in questo manuale. L'uso di qualsiasi altro accessorio potrebbe provocare lesioni personali. Utilizzare gli accessori esclusivamente per l'uso dichiarato.

Per l'assistenza e per ulteriori informazioni su tali accessori, rivolgersi al centro assistenza Makita di zona.

- Catena della sega
- Coperchio della barra di guida
- Barra di guida
- Calibro di misurazione della catena
- Lima tonda 4,0 mm
- Lima tonda 4,5 mm
- Lima piatta
- Affilatore con lima da 4,0 mm
- Affilatore con lima da 4,5 mm
- Manico per lima
- Olio della catena
- Grasso multipurpose
- Ingrassatore

NOTA:

- Alcuni degli accessori elencati potrebbero essere inclusi nella confezione dell'utensile come accessori standard. Gli accessori standard possono differire da paese a paese.

Rumore

ENG905-1

Il tipico livello di rumore ponderato A è determinato in conformità alla norma EN60745:

- Livello di pressione sonora (L_{pA}): 90,3 dB (A)
- Livello di potenza sonora (L_{WA}): 101,3 dB (A)
- Variazione (K): 2,5 dB (A)

Indossare una protezione acustica.

Vibrazioni

ENG900-1

Il valore totale delle vibrazioni (somma vettoriale triassiale) è determinato in conformità alla norma EN60745:

- Modalità operativa: taglio del legno
- Emissione di vibrazioni (a_h): 4,7 m/s²
- Variazione (K): 1,5 m/s²

ENG901-1

- Il valore di emissione delle vibrazioni dichiarato è stato misurato in conformità con il metodo di test standard e può essere utilizzato per confrontare tra loro diversi utensili.
- Il valore dell'emissione delle vibrazioni dichiarato può anche essere usato per stime preliminari dell'esposizione.

AVVERTENZA:

- L'emissione delle vibrazioni durante l'uso effettivo dell'utensile elettrico può risultare diversa rispetto al valore dichiarato, in base alla modalità d'uso dell'utensile.
- Assicurarsi di individuare le necessarie misure di sicurezza per proteggere l'operatore in base a una stima dell'esposizione nelle condizioni reali di utilizzo (prendendo in considerazione tutte le fasi del ciclo operativo, come quante volte l'utensile viene spento e i

periodi in cui rimane inattivo, oltre al tempo di avviamento).

Solo per i paesi europei

ENH021-8

Dichiarazione di conformità CE

Makita dichiara che le macchine seguenti:

Denominazione dell'utensile:

Motosega

N. modello/Tipo: UC3041A, UC3541A, UC4041A

Caratteristiche tecniche: vedere la tabella

"SPECIFICHE TECNICHE".

sono conformi alle seguenti direttive europee:

2000/14/EC, 2006/42/EC

Sono prodotte in conformità agli standard o ai documenti standardizzati riportati di seguito:

EN60745

Il documento tecnico ai sensi della Direttiva europea 2006/42/EC è disponibile presso:

Makita, Jan-Baptist Vinkstraat 2, 3070, Belgio

La procedura di valutazione della conformità richiesta dalla direttiva 2000/14/EC è stata effettuata secondo quanto specificato nell'allegato V.

Livello di potenza sonora misurato: 102,2 dB (A)

Livello di potenza sonora garantito: 104 dB (A)

26. 4. 2013



Yasushi Fukaya
Direttore

Makita, Jan-Baptist Vinkstraat 2, 3070, Belgio

NEDERLANDS (Originele instructies)

Verklaring van het onderdelenoverzicht

- | | | |
|--|---|--|
| 1. Kettingrem vastgezet | 16. Uit-vergrendelknop | 30. Draagriem |
| 2. Kettingrem losgezet | 17. Kettingvanger | 31. Vergrendelen |
| 3. Achterhandgreep | 18. Schede | 32. Ontgrendelen |
| 4. Aan-uitschakelaar | 19. Snoerhaak | 33. Werkgebied bij omzagen |
| 5. Olivuldop | 20. Stelschroef voor oliepomp
(op de onderkant) | 34. Valrichting |
| 6. Voorhandgreep | 21. Kettingwiel | 35. Gevarezone |
| 7. Beschermkap van voorhandgreep | 22. Opening | 36. Vluichtroute |
| 8. Zaagblad | 23. Haak | 37. Lengte van mes |
| 9. Zaagketting | 24. Pen | 38. Afstand tussen punt van mes en
dieptevoeler |
| 10. Hendel | 25. Losdraaien | 39. Minimaal 3 mm |
| 11. Afdekking van kettingwiel | 26. Vastdraaien | 40. Hoek van zijplaat |
| 12. Stelknop | 27. Netsnoer van gereedschap | 41. Olietoevoergroef |
| 13. Beschermkap van
achterhandgreep | 28. Verlengsnoer | 42. Olietoevoergat |
| 14. Oliepeilglas | 29. Stekker en stopcontact (de vorm
kan van land tot land verschillen) | |
| 15. Getande kam | | |

TECHNISCHE GEGEVENS

Model		UC3041A		UC3541A		UC4041A	
Max. kettingsnelheid		14,5 m/s (870 m/min)					
Standaardzaagblad	Lengte van zaagblad	300 mm		350 mm		400 mm	
	Zaaglengte	265 mm		325 mm		360 mm	
	Type zaagblad	Kettingwielzaagblad					
Standaardzaagketting	Type	90PX	91PX	90PX	91PX	90PX	91PX
	Steek	3/8"					
	Aantal schakels	46		52		56	
Aanbevolen zaagbladlengte		300 - 400 mm					
Totale lengte (zonder zaagblad)		455 mm					
Nettogewicht		4,6 kg		4,7 kg		4,7 kg	
Verlengsnoer (los verkrijgbaar)		DIN 57282/HO 7RN -F L = 30 m max., 3 x 1,5 mm ²					

- Als gevolg van ons doorlopende onderzoeks- en ontwikkelingsprogramma, zijn de technische gegevens van dit gereedschap onderhevig aan veranderingen zonder voorafgaande kennisgeving.
- De technische gegevens kunnen van land tot land verschillen.
- Gewicht volgens EPTA-procedure 01/2003

Symbool

END218-7

Hieronder staan de symbolen die voor het gereedschap worden gebruikt. Zorg ervoor dat u weet wat ze betekenen alvorens de accu te gebruiken.



..... Lees de gebruiksaanwijzing en volg de waarschuwingen en veiligheidsinstructies op.



..... Draag oogbescherming.



..... Draag gehoorbescherming.



..... DUBBEL GEÏSOLEERD



..... Let op: bijzondere voorzichtigheid en aandacht vereist!



..... Let op: trek de stekker onmiddellijk uit het stopcontact als het netsnoer beschadigd is!



..... Let op: terugslag!



..... Bescherm tegen regen en vocht!



..... Draag een veiligheidshelm, veiligheidsbril en oorbescherming!



..... Draag veiligheidshandschoenen!



..... Trek de stekker uit het stopcontact!



..... EHBO



..... Maximaal toelaatbare lengte van zaagsnede



..... Draairichting van de ketting





..... Kettingolie



..... Kettingrem losgezet

 Kettingrem vastgezet

 Verboden!

 Alleen voor EU-landen
Geef elektrisch gereedschap niet met het huisvuil mee!
Volgens de Europese richtlijn inzake oude elektrische en elektronische apparaten en de toepassing daarvan binnen de nationale wetgeving, dient gebruikt elektrisch gereedschap gescheiden te worden ingezameld en te worden afgevoerd naar een recycle bedrijf dat voldoet aan de geldende milieueisen.


Gebruiksdoelinden ENE085-1
Het gereedschap is bedoeld om stammen te zagen.

Voeding ENF002-2
Het gereedschap mag uitsluitend worden aangesloten op een voeding met dezelfde spanning als aangegeven op het typeplaatje en werkt alleen op enkele-fase wisselstroom. Het gereedschap is dubbel geïsoleerd en mag derhalve ook op een niet-geaard stopcontact worden aangesloten.

Voor het openbare laagspanningsnet van 220 V t/m 250 V. ENF100-1

Het in- en uitschakelen van elektrische apparatuur veroorzaakt spanningsfluctuaties. Het gebruik van dit gereedschap terwijl het elektriciteitsnet in een slechte toestand verkeert, kan de werking van andere apparatuur nadelig beïnvloeden. Als de netweerstand lager is dan 0,29 ohm, mag u ervan uitgaan dat geen nadelige effecten optreden. Het stopcontact waarop dit gereedschap is aangesloten moet zijn beveiligd met een zekering of veiligheidsstroomonderbreker met trage uitschakeling.

Algemene veiligheidswaarschuwingen voor elektrisch gereedschap GEA010-1

 **WAARSCHUWING** Lees alle veiligheidswaarschuwingen en alle instructies. Het niet volgen van de waarschuwingen en instructies kan leiden tot elektrische schokken, brand en/of ernstig letsel.

Bewaar alle waarschuwingen en instructies om in de toekomst te kunnen raadplegen.

Veiligheidswaarschuwingen specifiek voor kettingzagen GEB037-8

1. **Houd alle lichaamsdelen uit de buurt van de zaagketting terwijl de kettingzaag in bedrijf is. Alvorens de kettingzaag te starten, controleert u dat de zaagketting niet raakt.** In slechts een kort moment van onoplettendheid tijdens het gebruik van de kettingzaag kan uw kleding of lichaam in aanraking komen met de zaagketting.

2. **Houd de kettingzaag altijd vast met uw rechterhand aan de achterhandgreep en uw linkerhand aan de voorhandgreep.** Houd de kettingzaag nooit vast met uw handen verwisseld, omdat dan de kans op persoonlijk letsel groter is.
3. **Houd het elektrisch gereedschap alleen vast bij het geïsoleerde oppervlak omdat de kettingzaag met verborgen bedrading of zijn eigen snoer in aanraking kan komen.** Wanneer de kettingzaag in aanraking komt met onder spanning staande draden, zullen de niet-geïsoleerde metalen delen van het gereedschap onder spanning komen te staan zodat de gebruiker een elektrische schok kan krijgen.
4. **Draag een veiligheidsbril en gehoorbescherming. Verdere veiligheidsmiddelen voor hoofd, handen, benen en voeten worden aanbevolen.** Afdoende beschermende kleding verkleint de kans op persoonlijk letsel als gevolg van rondvliegend afval of het per ongeluk aanraken van de zaagketting.
5. **Werk niet met de kettingzaag in een boom.** Het gebruik van de kettingzaag terwijl u in een boom zit, verhoogt de kans op persoonlijk letsel.
6. **Zorg altijd voor een stevige stand en bedien de kettingzaag alleen terwijl u op een vaste, stabiele en horizontale ondergrond staat.** Een gladde of instabiele ondergrond, zoals een ladder, kan leiden tot verlies van evenwicht of controle over de kettingzaag.
7. **Bij het afzagen van een tak die onder spanning staat, let u goed op eventuele terugslag.** Wanneer de spanning in de houtvezels vrij komt, kan de onder spanning staande tak de gebruiker een tik geven of ertoe leiden dat hij/zij de controle over de kettingzaag verliest.
8. **Wees uiterst voorzichtig bij het zagen van struiken en jonge boompjes.** Het dunne materiaal kan zich vasthaken aan de zaagketting en naar u toe geslingerd worden of u uit balans brengen.
9. **Draag de kettingzaag aan de voorhandgreep terwijl deze uitgeschakeld is en van uw lichaam af gekeerd is.** Bij het transporteren of opbergen van de kettingzaag moet altijd de schede om het zaagblad worden gedaan. Een juiste behandeling van de kettingzaag verkleint de kans op het per ongeluk aanraken van de bewegende zaagketting.
10. **Volg de instructies voor het smeren, kettingspannen en verwisselen van accessoires.** Een verkeerd gespannen of gesmeerde ketting kan breken of verhoogt de kans op terugslag.
11. **Houd de handgrepen droog, schoon en vrij van olie en vetten.** Met vet of olie bevulde handgrepen zijn glad en leiden tot verlies van controle over de kettingzaag.
12. **Zaag uitsluitend hout. Gebruik de kettingzaag niet voor doeleinden waarvoor deze niet bedoeld is. Bijvoorbeeld: gebruik de kettingzaag niet om kunststof, steen of bouwmaterialen anders dan hout te zagen.** Het gebruik van de kettingzaag bij andere werkzaamheden dan waarvoor deze bedoeld is, kan leiden tot gevaarlijke situaties.
13. **Oorzaken van terugslag en wat de gebruiker hieraan kan doen:**
Terugslag kan zich voordoen wanneer de neus of punt van het zaagblad een voorwerp raakt of wanneer het

hout zich sluit en de zaagketting in de zaagsnede vastklemt.

Zagen met alleen de punt van het zaagblad kan een plotselinge, omgekeerde reactie veroorzaken waardoor het zaagblad omhoog geworpen wordt in de richting van de gebruiker.

Het bekennen van de zaagketting langs de bovenrand van het zaagblad kan het zaagblad snel terugwerpen in de richting van de gebruiker.

Deze beide reacties kunnen ertoe leiden dat u de controle over de kettingzaag verliest waardoor ernstig persoonlijk letsel kan ontstaan. Wees niet afhankelijk van alleen de veiligheidsvoorzieningen ingebouwd in uw kettingzaag. Als gebruiker van de kettingzaag moet u meerdere stappen ondernemen om ervoor te zorgen dat uw zaagwerkzaamheden zonder ongevallen of letsel verlopen.

Terugslag is het gevolg van misbruik van het gereedschap en/of onjuiste gebruikprocedures of -omstandigheden, en kan worden voorkomen door goede voorzorgsmaatregelen te treffen, zoals hieronder vermeld:

- **Houd de kettingzaag stevig vast, met de duimen en vingers rondom de handgrepen van de kettingzaag, met beide handen en positioneer uw lichaam en armen zodanig dat u een eventuele terugslag kan opvangen.** De kracht van een terugslag kan worden opgevangen door de gebruiker mits de juiste voorzorgsmaatregelen getroffen worden. Laat de kettingzaag nooit los (zie **afb. 1**).
- **Reik niet te ver en zaag nooit boven schouderhoogte.** Dit helpt te voorkomen dat de punt van het zaagblad per ongeluk iets raakt en biedt een betere controle van de kettingzaag in onverwachte situaties.
- **Gebruik bij het vervangen van het zaagblad of de zaagketting uitsluitend onderdelen die zijn opgegeven door de fabrikant.** Vervanging door een verkeerd zaagblad of zaagketting kan ertoe leiden dat de zaagketting breekt en/of terugslaat.
- **Volg de instructies van de fabrikant over het slijpen en onderhouden van de zaagketting.** Het verlagen van de hoogte van de dieptevoeler kan leiden tot toegenomen terugslag.

AANVULLENDE VEILIGHEIDSVORSCHRIFTEN

1. Lees de gebruiksaanwijzing om uzelf bekend te maken met de bediening van de kettingzaag.
2. Alvorens de kettingzaag voor het eerst te gebruiken dient u de bediening ervan uitgelegd te krijgen. Als dat niet mogelijk is, moet u eerst proefzagen met ronde stammen op een bok voordat u daadwerkelijk met de kettingzaag werkt.
3. De kettingzaag mag niet worden gebruikt door kinderen of jeugd jonger dan 18 jaar. Jongeren ouder dan 16 jaar kunnen uitgezonderd worden van deze regel mits zijn les krijgen onder toezicht van een expert.
4. Werken met een kettingzaag vereist een hoge mate van concentratie. Werk niet met een kettingzaag als u

zich niet volledig fit voelt. Werk altijd rustig en voorzichtig.

5. Werk nooit onder invloed van alcohol, drugs of medicijnen.

Juist gebruik

1. De kettingzaag is uitsluitend bedoeld voor het zagen van hout. Gebruik hem niet voor het zagen van bijvoorbeeld kunststof of poreus beton.
2. Gebruik de kettingzaag uitsluitend voor bedieningen die beschreven staan in deze gebruiksaanwijzing. Gebruik hem bijvoorbeeld **niet** voor het snoeien van hagen of soortgelijke werkzaamheden.
3. De kettingzaag mag niet worden gebruikt voor bosbouwwerkzaamheden, bijv. voor het omzagen en takken afzagen van staande bomen. Door het netsnoer van de kettingzaag heeft de gebruiker niet de mobiliteit en veiligheid die noodzakelijk zijn voor dergelijk werk.
4. De kettingzaag is niet bedoeld voor commercieel gebruik.
5. Overbelast de kettingzaag niet.

Persoonlijke-veiligheidsuitrusting

1. Kleding moet nauwsluitend zijn, maar de bewegelijkheid niet belemmeren.
2. Draag de volgende beschermende kleding tijdens het werk:
 - Een goedgekeurde veiligheidshelm, als er gevaar bestaat voor vallende takken en dergelijke;
 - Een gezichtsmasker of veiligheidsbril;
 - Geschikte gehoorbescherming (oorschelpen, of aangepaste of kneedbare oordoppen). Octaafbandanalyse op verzoek beschikbaar.
 - Stevige, lederen veiligheidshandschoenen;
 - Lange broek gemaakt van een sterke stof;
 - Veiligheidsoverall van snijbestendige stof;
 - Veiligheidsschoenen met antislipzolen, stalen neus en snijbestendige, stoffen voering;
 - Een mondmasker, indien tijdens het werk stof wordt geproduceerd (bijv. bij het zagen van droog hout).

Beveilig uzelf tegen elektrische schokken



De kettingzaag mag niet worden gebruikt tijdens nat weer of in een vochtige omgeving omdat de elektromotor niet waterdicht is.

1. Steek de stekker van de kettingzaag alleen in een stopcontact van een getest elektrisch circuit. Controleer dat de netspanning overeenkomt met die op het typeplaatje. Zorg ervoor dat het stopcontact op een groep zit met een zekering van 16 A. Als de kettingzaag in de open lucht wordt gebruikt, moet deze zijn aangesloten op een op reststroom werkende stroomonderbreker die in werking treedt bij een reststroom van maximaal 30 mA.



Als het netsnoer of verlengsnoer beschadigd raakt, moet u onmiddellijk de stekker uit het stopcontact trekken.

Veilige werkmethoden

1. Alvorens met het werk te beginnen, controleert u dat de kettingzaag zich in goede werkende staat bevindt,

en dat deze voldoet aan de veiligheidsregels.

Controleer met name dat:

- De kettingrem goed werkt;
- De uitlooprem goed werkt;
- Het zaagblad en de afdekking van het kettingwiel goed zijn gemonteerd;
- De ketting is geslepen en gespannen overeenkomstig de regels;
- Het netsnoer en de stekker niet beschadigd zijn;

Raadpleeg het hoofdstuk "CONTROLES".

2. Zorg er met name altijd voor dat het gebruikte verlengsnoer de juiste dwarsdoorsnede heeft (zie "TECHNISCHE GEGEVENS"). Bij gebruik van een kabelhaspel moet u het snoer helemaal uitrollen. Bij gebruik van de kettingzaag in de open lucht, controleert u dat het gebruikte snoer geschikt is voor gebruik in de open lucht en als zodanig is gemarkeerd.
3. Houd het netsnoer uit de buurt van het zaaggebied en geleid het netsnoer zodanig dat het tijdens het omzagen niet blijft haken achter takken en dergelijke.
4. Gebruik de kettingzaag niet in de buurt van brandbaar stof of gas aangezien de motor vonken kan produceren en **explosiegevaar** oplevert.
5. Werk uitsluitend op een vaste ondergrond en terwijl u stevig staat. Let met name goed op obstakels (bijv. het snoer) in het werkgebied. Let met name goed op op plaatsen waar vocht, ijs, verse houtsnippers of schors de ondergrond glad kunnen maken. Gebruik de kettingzaag niet terwijl u op een ladder of in een boom staat.
6. Let met name goed op wanneer u op een schuine ondergrond staat omdat weggelonde stammen en takken een gevaarlijke situatie kunnen opleveren.
7. Zaag nooit boven schouderhoogte.
8. **Houd de kettingzaag met beide handen vast bij het inschakelen en tijdens gebruik.** Houd de achterhandgreep met uw rechterhand vast en de voorhandgreep met uw linkerhand. Houd de handgrepen stevig vast met uw duim. Het zaagblad en de zaagketting mogen niet geen enkel voorwerp in aanraking zijn op het moment dat de kettingzaag wordt ingeschakeld (**zie afb. 1**).
9. Verwijder vreemde voorwerpen, zoals zand, stenen, spijkers, draad, enz., uit het gebied waarin wordt gezaagd. Vreemde voorwerpen beschadigen het zaagblad en de zaagketting, en kunnen gevaarlijke terugslag veroorzaken.
10. Wees met name voorzichtig wanneer u zaagt in de buurt van afrasteringen. Raak de afrastering niet met de kettingzaag want hierdoor kan een terugslag ontstaan.
11. Raak de grond niet met de kettingzaag.
12. Zaag alleen enkele stukken hout en geen bundels of stapels.
13. Vermijd het zagen van dunne takjes en wortels omdat deze in de kettingzaag verstrengeld kunnen raken. Hierdoor kunt u uw evenwicht verliezen.
14. Gebruik een stabiele ondersteuning (bok) wanneer u in gezaagd hout zaagt.
15. Gebruik de kettingzaag niet voor het los peuteren of wegvegen van stukjes hout en andere voorwerpen.

16. Houd de kettingzaag zodanig vast dat geen enkel lichaamsdeel van u in het verlengde van de lijn van de zaagketting ligt (zie de afbeelding) (**zie afb. 2**).
17. Bij het verplaatsen tussen twee zaagsneden, gebruik u de kettingrem om te voorkomen dat de ketting per ongeluk in werking wordt gesteld. Houd de kettingzaag bij het dragen vast aan de voorhandgreep en houdt uw vinger daarbij niet om de aan-uitschakelaar.
18. Trek de stekker uit het stopcontact wanneer u een pauze neemt of de kettingzaag alleen achterlaat. Leg de kettingzaag neer op een plaats waar deze geen gevaar oplevert.

Terugslag

1. Tijdens het gebruik van de kettingzaag kan een gevaarlijke terugslag optreden. Een terugslag treedt op wanneer de punt van het zaagblad (met name het laatste kwart) in aanraking komt met hout of een ander massief voorwerp. Hierdoor zal de kettingzaag in de richting van de gebruiker worden gedwongen (**zie afb. 3**).
2. Let op de volgende punten om terugslag te voorkomen:
 - Begin een zaagsnede nooit met de punt van het zaagblad.
 - Gebruik de punt van het zaagblad niet om te zagen. Let met name goed op wanneer u verder gaat zagen in een reeds gemaakte zaagsnede.
 - Begin te zagen met draaiende ketting.
 - Slijp de ketting altijd op de juiste wijze. Stel vooral de dieptevoeler in op de juiste hoogte.
 - Zaag nooit door meerdere takken tegelijk.
 - Let er bij het afzagen van takken op dat het zaagblad niet in aanraking komt met andere takken.
 - Houd bij het afzagen afstand tot andere stammen in de buurt. Kijk altijd naar de punt van het zaagblad.
 - Gebruik een bok.

Veiligheidsvoorzieningen

1. Controleer altijd dat de veiligheidsvoorzieningen in werkende staat verkeren alvorens met het werk te beginnen. Gebruik de kettingzaag niet als de veiligheidsvoorzieningen niet goed werken.
- **Kettingrem:**
De kettingzaag is uitgerust met een kettingrem die de zaagketting binnen een fractie van een seconde tot stilstand brengt. De kettingrem wordt in werking gesteld wanneer de beschermkap van de voorhandgreep naar voren wordt geduwd. De zaagketting staat dan binnen 0,15 seconde stil en de voeding naar de motor wordt onderbroken (**zie afb. 4**).
- **Uitlooprem:**
De kettingzaag is uitgerust met een uitlooprem die de zaagketting onmiddellijk tot stilstand brengt wanneer de aan-uitschakelaar wordt losgelaten. Hierdoor wordt voorkomen dat de zaagketting blijft draaien terwijl de kettingzaag is uitgeschakeld, zodat gevaarlijke situaties worden voorkomen.
- **De beschermkappen van de voor- en achterhandgrepen** beschermen de gebruiker tegen verwondingen door houtsnippers die naar achteren

kunnen worden geworpen, of door een gebroken zaagketting.

- De **uit-vergrendeling** voorkomt dat de kettingzaag per ongeluk wordt ingeschakeld.
- De **kettingvanger** beschermt de gebruiker tegen verwonding in het geval dat de ketting springt of breekt.

Vervoer en opslag



Wanneer de kettingzaag niet in gebruik is of wordt vervoerd, trekt u de stekker uit het stopcontact en plaatst u de schede om het zaagblad. Draag of vervoer de kettingzaag nooit met draaiende zaagketting.

1. Draag de kettingzaag aan alleen de voorhandgreep met het zaagblad naar achteren gericht.
2. Bewaar de kettingzaag op een veilige, droge en afgesloten plaats, buiten het bereik van kinderen. Bewaar de kettingzaag niet buitenshuis.

Onderhoud

1. Trek de stekker uit het stopcontact alvorens enige instel- of onderhoudswerkzaamheden uit te voeren.
2. Controleer het netsnoer regelmatig op beschadiging van de isolatie.
3. Maak de kettingzaag regelmatig schoon.
4. Laat eventuele beschadiging van de kunststof behuizing onmiddellijk en vakkundig repareren.
5. Gebruik de kettingzaag niet als de aan-uitschakelaar niet goed werkt. Laat deze eerst vakkundig repareren.
6. Onder geen beding mag de kettingzaag op enigerlei wijze worden veranderd. Uw veiligheid staat op het spel.
7. Voer geen onderhouds- of reparatiewerkzaamheden uit anders dan beschreven in deze gebruiksaanwijzing. Alle andere werkzaamheden moeten worden uitgevoerd door een erkend servicecentrum.
8. Gebruik uitsluitend originele vervangingsonderdelen en accessoires die ontworpen zijn voor uw model kettingzaag. Als u andere onderdelen gebruikt, wordt de kans op een ongeval vergroot.
9. Wij accepteren geen enkele aansprakelijkheid voor ongevallen of schade in geval een niet-goedgekeurd zaagblad, zaagketting of ander vervangingsonderdeel of accessoire wordt gebruikt.

EHBO



Werk niet alleen. Werk altijd binnen hoorafstand van iemand anders.

1. Houd altijd een EHBO-dooos bij de hand. Vervang de verbruikte items uit de EHBO-dooos onmiddellijk.
2. Mocht u hulp nodig hebben na een ongeval, vermeld het volgende:
 - Waar vond het ongeval plaats?
 - Wat is er gebeurd?
 - Hoeveel gewonden zijn er?
 - Welke verwondingen hebben zij?
 - Wie meldt het ongeval?

OPMERKING:

Personen met een slechte bloedsomloop die worden blootgesteld aan sterke trillingen, kunnen verwondingen aan bloedvaten of het zenuwstelsel oplopen.

Trillingen kunnen de volgende symptomen veroorzaken in de vingers, handen of polsen: "slapen" (ongevoeligheid), tintelingen, pijn, stekend gevoel, veranderen van huidskleur of van de huid.

Als een van deze symptomen zich voordoet, raadpleegt u uw huisarts!

BEWAAR DEZE INSTRUCTIES.

⚠ WAARSCHUWING:

Laat u NIET misleiden door een vals gevoel van comfort en bekendheid met het gereedschap (na veelvuldig gebruik) en neem alle veiligheidsvoorschriften van het betreffende product altijd strikt in acht. VERKEERD GEBRUIK of het niet volgen van de veiligheidsinstructies in deze gebruiksaanwijzing kan leiden tot ernstig persoonlijk letsel.

NAMEN VAN ONDERDELEN (zie afb. 5)

ONDERDELEN AANBRENGEN EN VERWIJDEREN

⚠ LET OP:

- Controleer altijd of het gereedschap is uitgeschakeld en de stekker uit het stopcontact is getrokken alvorens enige werk aan het gereedschap uit te voeren.

De zaagketting aanbrengen en verwijderen

⚠ LET OP:

- Draag altijd handschoenen tijdens het aanbrengen en verwijderen van de zaagketting.

Om de zaagketting te verwijderen voert u de volgende stappen uit:

1. Duw tegen de hendel om hem volledig te openen tot hij stopt (**zie afb. 6**).
2. Draai de hendel linksom om de afdekking van het kettingwiel los te maken tot deze eraf komt.
3. Draai de stelknop in de richting "–" om de spanning van de zaagketting af te halen (**zie afb. 7**).
4. Verwijder de afdekking van het kettingwiel.
5. Haal de zaagketting en het zaagblad van de kettingzaag af.

Om de zaagketting aan te brengen voert u de volgende stappen uit:

6. Controleer de richting van de zaagketting. De pijlmarkering op de zaagketting toont de richting van de ketting (**zie afb. 8**).
7. Leg een uiteinde van de zaagketting rond de voorkant van het zaagblad en het andere uiteinde rondom het kettingwiel.
8. Leg het zaagblad op zijn plaats op de kettingzaag.
9. Lijn de spanschuif uit met de opening in het zaagblad (**zie afb. 9**).
10. Houd het zaagblad vast en draai de stelknop in de richting "+" om de spanning van de zaagketting in te stellen.
11. Plaats de afdekking van het kettingwiel zodanig dat de haken langs de openingen liggen en de pen in de bus van de afdekking van het kettingwiel valt (**zie afb. 10**).

- Draai de hendel rechtsom om de afdekking van het kettingwiel vast te zetten (zie afb. 11).
- Duw de hendel omlaag naar zijn oorspronkelijke stand.

De kettingspanning instellen

De zaagketting kan na vele gebruiksuren los gaan zitten. Controleer regelmatig de kettingspanning vóór gebruik.

- Duw de hendel omhoog tot hij volledig is geopend en klikt. Draai hem iets linksom zodat de afdekking van het kettingwiel iets los komt (zie afb. 6).
- Til de punt van het zaagblad iets op (zie afb. 12).
- Draai de stelknop om de kettingspanning in te stellen. Span de zaagketting totdat de onderkant van de zaagketting in de groef in het zaagblad valt (zie cirkel).
- Blijf het zaagblad licht vasthouden, stel de kettingspanning in en zet u de afdekking van het kettingwiel vast. Controleer of de zaagketting niet los hangt aan de onderkant.
- Duw de hendel omlaag naar zijn oorspronkelijke stand (zie afb. 13).

Controleer of de zaagketting goed langs de onderkant van het zaagblad loopt.

⚠ LET OP:

- Span de zaagketting niet te strak. Door een buitensporig hoge kettingspanning kan de zaagketting breken, het zaagblad slijten en de stelknop afbreken.
- Een te slappe zaagketting kan van het zaagblad af lopen en verhoogt daarmee de kans op een ongeval.
- Voer de werkzaamheden van het aanbrengen en verwijderen van de zaagketting uit op een schone plaats zonder zaagsel en dergelijk vuil.

Een verlengsnoer aansluiten

⚠ LET OP:

- Zorg ervoor dat de stekker van het verlengsnoer niet in het stopcontact is gestoken (zie afb. 14).

Om het verlengsnoer aan te sluiten, maakt u het met behulp van de snoerhaak vast aan het netsnoer van de kettingzaag.

Maak de snoerhaak vast aan het verlengsnoer op ongeveer 100 - 200 mm vanaf de contrastekker. Hierdoor wordt per ongeluk loskoppelen voorkomen.

BEDIENING

Aan-uitschakelaar (zie afb. 15)

⚠ LET OP:

- Controleer altijd of het gereedschap is uitgeschakeld en de stekker uit het stopcontact is getrokken alvorens de werking van de aan-uitschakelaar te controleren.
- Controleer altijd, voordat u de stekker in het stopcontact steekt, of de aan-uitschakelaar op de juiste manier schakelt en weer terugkeert naar de uit-stand nadat deze is losgelaten.

OPMERKING:

- Schakel het gereedschap niet veelvuldig in en uit binnen een korte tijdsduur (vijf seconden of minder). De temperatuur binnenin het gereedschap zal oplopen waardoor het gereedschap kan worden beschadigd.

De tijdsduur verschilt afhankelijk van de luchttemperatuur en andere factoren (zie afb. 16). Om te voorkomen dat de aan-uitschakelaar per ongeluk wordt bediend, is een uit-vergrendelknop aangebracht. Om het gereedschap te starten, drukt u de uit-vergrendelknop in en knijpt u de aan-uitschakelaar in. Laat de aan-uitschakelaar los om het gereedschap te stoppen.

Smeren

⚠ LET OP:

- Zorg er altijd voor dat het gereedschap is uitgeschakeld en de stekker uit het stopcontact is getrokken, voordat u de zaagketting smert.

Smeer de zaagketting en het zaagblad met een biologisch afbreekbare zaagkettingolie met een hechttoevoeging. De hechttoevoeging in de zaagkettingolie voorkomt dat de olie te snel van de zaagketting afvliegt. Minerale olie mag niet worden gebruikt vanwege het schadelijke effect op het milieu (zie afb. 17).

⚠ LET OP:

- Vermijd dat de olie in aanraking komen met uw huid en ogen. Olie in het oog veroorzaakt irritatie. In het geval de olie in het oog komt, moet u het betreffende oog onmiddellijk spoelen met schoon water en direct een huisarts raadplegen.
- Gebruik nooit afvalolie. Afvalolie bevat kankerverwekkende bestanddelen. De verontreinigingen in afvalolie veroorzaken een versnelde slijtage van de oliepomp, het zaagblad en de zaagketting. Afvalolie is schadelijk voor het milieu.
- Wanneer u de kettingzaag voor het eerst vult met zaagkettingolie, of de olietank bijvult nadat deze geheel leeg is geraakt, vult u olie bij tot aan de onderrand van de vulnek. Anders kan de olietoevoer gehinderd worden.

Om olie bij te vullen voert u de volgende stappen uit (zie afb. 18):

- Reinig het gebied rondom de olievuldop zorgvuldig om te voorkomen dat vuil in de olietank kan komen.
- Draai de olievuldop eraf en vul olie bij tot aan de onderrand van de vulnek.
- Draai de olievuldop stevig terug op zijn plaats.
- Veeg eventueel gemorste olie zorgvuldig weg.

OPMERKING:

- Als de kettingzaag voor het eerst wordt gebruikt, kan het maximaal twee minuten duren voordat de zaagkettingolie het zaagmechanisme begint te smeren. Laat gedurende deze tijd de kettingzaag onbelast draaien (zie "CONTROLES").

CONTROLES

Alvorens met de werkzaamheden te beginnen, voert u de volgende controles uit:

De kettingspanning controleren

⚠ WAARSCHUWING:

- Trek altijd de stekker uit het stopcontact voordat u de kettingspanning controleert en draag daarbij een veiligheidsbril.

Controleer of de zaagketting goed langs de onderkant van het zaagblad loopt (zie cirkel) (zie afb. 12).

Controleer de kettingspanning veelvuldig omdat een nieuwe ketting door gebruik langer wordt.

Door een buitensporig hoge kettingspanning kan de zaagketting breken, het zaagblad slijten en de stelknop afbreken.

Een te slappe zaagketting kan van het zaagblad af lopen en verhoogt daarmee de kans op een ongeval.

Als de zaagketting te slap staat: Raadpleeg het tekstdeel getiteld "De kettingspanning instellen" en stelt u de kettingspanning opnieuw in.

De werking van de aan-uitschakelaar controleren

⚠ LET OP:

Controleer altijd, voordat u de stekker in het stopcontact steekt, of de aan-uitschakelaar op de juiste manier schakelt en weer terugkeert naar de uit-stand nadat deze is losgelaten.

Om te voorkomen dat de aan-uitschakelaar per ongeluk wordt bediend, is een uit-vergrendelknop aangebracht.

Om het gereedschap te starten, drukt u de uit-vergrendelknop in en knijpt u de aan-uitschakelaar in. Laat de aan-uitschakelaar los om het gereedschap te stoppen.

Knijp de aan-uitschakelaar niet hard in zonder de uit-vergrendelknop in te drukken. Hierdoor kan de aan-uitschakelaar kapot gaan.

De kettingrem controleren

OPMERKING:

- Als de kettingzaag niet kan worden gestart, controleert u of de kettingrem is losgezet. Om de kettingrem los te zetten, trekt u de beschermkap van de voorhandgreep stevig naar achteren tot u voelt dat deze aangrijpt (zie afb. 19 en 20).

Controleer de kettingrem als volgt:

- Houd de kettingzaag met beide handen vast bij het inschakelen. Houd de achterhandgreep met uw rechterhand vast en de voorhandgreep met uw linkerhand. Zorg ervoor dat het zaagblad en de zaagketting geen enkel voorwerp raken.
- Druk eerst de uit-vergrendelknop in en knijp daarna de aan-uitschakelaar in. De zaagketting begint onmiddellijk te draaien.
- Duw de beschermkap van de voorhandgreep naar voren met de rug van uw hand. Controleer of de zaagketting onmiddellijk tot stilstand komt.

⚠ LET OP:

- Als de zaagketting niet onmiddellijk tot stilstand komt, mag u de kettingzaag onder geen enkele voorwaarde gebruiken. Neem contact op met een erkend Makita-servicecentrum.

De uitlooprem controleren

Schakel de kettingzaag in.

Laat de aan-uitschakelaar helemaal los. Controleer of de zaagketting binnen één seconde tot stilstand komt.

⚠ LET OP:

- Als de zaagketting niet onmiddellijk tot stilstand komt, mag u de kettingzaag onder geen enkele voorwaarde gebruiken. Neem contact op met een erkend Makita-servicecentrum.

De kettingsmeerinrichting controleren

Alvorens met het werk te beginnen, controleert u het oliepeil in de olietank en de olietoevoer.

Het oliepeil kan worden gecontroleerd door het peilglas aangegeven in de afbeelding (zie afb. 21).

Controleer de olietoevoer op de volgende manier:

Start de kettingzaag.

Terwijl de zaagketting draait, houdt u de zaagketting ongeveer 15 cm boven een boomstam of de grond. Als de smering voldoende is, zullen de oliespetters een dunne oliestreek vormen.

Let op de windrichting en stel uzelf niet onnodig bloot aan de oliespetters.

⚠ LET OP:

- Als geen oliestreek wordt gevormd, mag u de kettingzaag niet gebruiken. De levensduur van de zaagketting zal dan worden verkort. Controleer het oliepeil. Maak de olietoevoergroef en het olietoevoergat in het zaagblad schoon (raadpleeg "ONDERHOUD").

De kettingsmering afstellen (zie afb. 22)

U kunt de toevoersnelheid van de oliepomp afstellen met behulp van de stelschroef.

⚠ LET OP:

- Gebruik altijd de voorhandgreep en achterhandgreep, en houd het gereedschap tijdens gebruik stevig vast aan zowel de voorhandgreep als de achterhandgreep.
- Zet het hout dat u gaat zagen altijd vast omdat anders de houtsnippers kunnen leiden tot persoonlijk letsel.

WERKEN MET DE KETTINGZAAG

Afzagen (zie afb. 23)

Plaats bij het afzagen de getande kam op het hout waarin u wilt zagen, zoals aangegeven in de afbeelding.

Zaag met draaiende zaagketting in het hout en til de achterhandgreep op terwijl u met de voorhandgreep het zagen geleidt. Gebruik op deze manier de getande kam als scharnierpunt.

Vervolg de zaagsnede door licht op de voorhandgreep te drukken en de kettingzaag iets terug te trekken. Plaats de getande kam lager tegen het hout en til de voorhandgreep weer op.

Als u meerdere zaagsneden maakt, schakelt u de kettingzaag uit tussen de zaagsneden.

⚠ LET OP:

- Als de zaagketting langs de bovenrand van het zaagblad wordt gebruikt om te zagen, kan de kettingzaag in uw richting worden bewogen als de ketting klem komt te zitten. Om deze reden moet u met de onderrand van het zaagblad zagen zodat de kettingzaag van uw lichaam af wordt bewogen (zie afb. 24).

Als hout onder spanning staat, zaagt u eerst de kant met de duwkracht (A). Maak de eindsnede aan de kant met de

trekkracht (B). Hiermee voorkomt u dat het zaagblad bekneld raakt (zie afb. 25).

Takken afzagen

LET OP:

- Takken afzagen mag uitsluitend worden uitgevoerd door opgeleide personen. Door het risico van terugslag kan een gevaarlijke situatie ontstaan.

Ondersteun bij het afzagen van takken zo mogelijk de kettingzaag op de boomstam. Zaag niet met de punt van het zaagblad omdat hierdoor de kans op terugslag ontstaat.

Let met name goed op bij takken die onder spanning staan. Zaag geen takken vanaf de onderkant als deze niet worden ondersteund.

Ga bij het afzagen van takken niet bovenop de omgezaagde boomstam staan.

Inzagen en in de richting van de houtnerf zagen

LET OP:

- Inzagen en in de richting van de houtnerf zagen mag uitsluitend worden uitgevoerd door personen met speciale training. Het risico van terugslag vormt een kans op letsel.

Als u in de richting van de houtnerf zaagt, moet de hoek zo klein mogelijk zijn. Voer het zagen zo voorzichtig mogelijk uit, want de getande kam kan niet worden gebruikt (zie afb. 26).

Omzagen

LET OP:

- Omzagen mag uitsluitend worden uitgevoerd door opgeleide personen. Het werk is gevaarlijk.
- Houd u aan de plaatselijke regelgeving als u een boom wilt omzagen (zie afb. 27).
- Voordat u met het omzagen begint, controleert u de volgende punten:
 - (1) Uitsluitend de personen die betrokken zijn bij het omzagen mogen zich in de buurt bevinden;
 - (2) Iedere betrokken persoon moet een ongehinderde vluchtroute hebben door een gebied van ongeveer 45° aan weerskanten van de vallijn. Let op het risico van struikelen over elektrische snoeren;
 - (3) De voet van de stam met vrij zijn van vreemde voorwerpen, wortels en takken;
 - (4) Binnen een afstand van 2 1/2 keer de lengte van de boom mogen zich geen personen of voorwerpen bevinden in de richting waarin de boom zal vallen.
 - Let met betrekking tot ieder boom op de volgende punten:
 - De richting waarin de boom overhelt;
 - Losse of droge takken;
 - Hoogte van de boom;
 - Natuurlijke overhang;
 - Of de boom verrot is of niet.
 - Let op de windsnelheid en -richting. Zaag geen bomen om als er sterke rukwinden zijn.
 - Afkorten van worteluitwassen: Begin met de grootste uitwassen. Maak eerst de verticale zaagsnede.
 - Zaag een inkeping: De inkeping bepaalt de richting waarin de boom valt en geleidt de val. De inkeping

wordt gemaakt aan de kant waarheen de boom moet vallen. Maak de inkeping zo dicht mogelijk bij de grond. Maak eerst de horizontale zaagsnede tot een diepte van 1/5 tot 1/3 van de stamdiameter. Maak de inkeping niet te groot. Maak vervolgens de diagonale zaagsnede (zie afb. 28).

- Maak eventuele correcties aan de inkeping over de gehele breedte ervan.
- Maak de zaagsnede aan de achterkant iets hoger dan de horizontale zaagsnede van de inkeping. De zaagsnede aan de achterkant moet precies horizontaal zijn. Laat ongeveer 1/10 van de stamdiameter over tussen de zaagsnede aan de achterkant en de inkeping. De houtvezels in het niet-doorgezaagde deel van de stam werken als een scharnier. Zaag niet de volledige diameter van de stam door omdat dan de boom ongecontroleerd zal vallen. Plaats tijds wiggens in de zaagsnede aan de achterkant (zie afb. 29).
- Alleen kunststof- of aluminiumwiggens mogen worden gebruikt om de zaagsnede aan de achterkant open te houden. IJzeren wiggens mogen niet worden gebruikt.
- Ga aan de zijkant van de vallende boom staan. Houd aan de achterkant van de vallende boom een gebied vrij met een hoek van 45° aan weerskanten van de vallijn (zie de afbeelding bij "Werkgebied bij omzagen"). Let goed op vallende takken.
- Alvorens met het omzagen te beginnen, moet een vluchtroute worden voorbereid en vrijgemaakt. De vluchtroute dient schuin naar achteren van de verwachte vallijn te lopen, zoals aangegeven in de afbeelding (zie afb. 30).

ONDERHOUD

LET OP:

- Zorg er altijd voor dat het gereedschap is uitgeschakeld en de stekker uit het stopcontact is getrokken, voordat u een inspectie of onderhoud uitvoert.
- Draag altijd handschoenen tijdens het uitvoeren van inspectie- of onderhoudswerkzaamheden.
- Gebruik nooit benzine, wasbenzine, thinner, alcohol, enz. Dit kan leiden tot verkleuren, vervormen of barsten.

Voer de hieronder beschreven onderhoudswerkzaamheden regelmatig uit. Garantieclaims worden uitsluitend geaccepteerd als deze werkzaamheden regelmatig en goed zijn uitgevoerd. Alleen de onderhoudswerkzaamheden die in deze gebruiksaanwijzing worden beschreven, mogen door de gebruiker worden uitgevoerd. Alle andere werkzaamheden moeten worden uitgevoerd door een erkend MAKITA-servicecentrum.

De kettingzaag schoonmaken

Maak de kettingzaag regelmatig schoon met een poetsdoek. Met name de handgrepen moeten vrij van olie worden gehouden.

De kunststofbehuizing controleren

Voer regelmatig een visuele controle uit op alle onderdelen van de behuizing. In het geval een onderdeel

beschadigd is, laat u dit onmiddellijk op de juiste wijze repareren door een erkend MAKITA-servicecentrum.

De zaagketting slijpen

LET OP:

- Trek altijd de stekker uit het stopcontact en draag veiligheidshandschoenen bij het uitvoeren van werkzaamheden aan de zaagketting.

Slijp de zaagketting als (zie afb. 31):

- Poederachtig zaagsel wordt geproduceerd tijdens het zagen van vochtig hout;
- De zaagketting moeizaam in het hout binnendringt, zelfs wanneer hoge druk wordt uitgeoefend;
- De messen duidelijk beschadigd zijn;
- De kettingzaag naar links of rechts trekt in het hout. De reden hiervan is een ongelijkmatige scherpte van de zaagketting, of een beschadiging aan slechts een kant.

Slijp de zaagketting veelvuldig, maar slijp iedere keer slechts een weinig materiaal weg.

Twee of drie bewegingen met een vijl zijn doorgaans voldoende voor regelmatig bijslijpen. Als de zaagketting meerdere malen is bijgeslepen, laat u deze een keer slijpen door een erkend MAKITA-servicecentrum.

Regels met betrekking tot het slijpen:

- Alle messen moeten dezelfde lengte hebben. Als de messen een verschillende lengte hebben, draait de zaagketting niet soepel en kan de zaagketting breken.
- Slijp de zaagketting niet meer als de messen de minimale lengte van 3 mm bereikt hebben. In dat geval moet een nieuwe zaagketting worden gemonteerd.
- De dikte van de houtsnippers wordt bepaald door het hoogteverschil tussen de dieptevoeler (ronde neus) en de punt van de messen.
- De beste zaagprestaties worden bereikt met de volgende afstand tussen de dieptevoeler en de punt van de messen.
Kettingmes 90PX: 0,5 mm
Kettingmes 91PX: 0,65 mm (zie afb. 32)

WAARSCHUWING:

- Een te groot hoogteverschil verhoogt de kans op terugslag.
- De slijphoek van 30° moet hetzelfde zijn voor alle messen. Als de slijphoek verschillend is, draait de zaagketting niet soepel en ongelijkmatig, slijt de zaagketting sneller, en kan de zaagketting breken.
- De zijplaathoek van de messen wordt bepaald door de diepte waarmee de ronde vijl doordringt. Als de opgegeven vijl goed wordt gebruikt, wordt de juiste zijplaathoek automatisch verkregen.
- De juiste hoek voor de zijplaat van elke zaagketting is als volgt:
Kettingmes 90PX: 75°
Kettingmes 91PX: 80° (zie afb. 33)

Vijl en vijlbeweging

- Gebruik een speciale ronde vijl (los verkrijgbaar) voor het slijpen van een zaagketting. Normale ronde vijlen zijn niet geschikt.
- De diameter van de ronde vijl voor elke zaagketting is als volgt:
Kettingmes 90PX: 4,5 mm
Kettingmes 91PX: 4,0 mm

- De vijl mag alleen tijdens de voorwaartse beweging met het mes in aanraking komen. Til de vijl van het mes af tijdens de achterwaartse beweging.
- Slijp eerst het kortste mes. Daarna is de lengte van het kortste mes de standaard voor alle overige messen van de zaagketting.
- Beweeg de vijl zoals aangegeven in de afbeelding (zie afb. 34).
- De vijl kan gemakkelijker worden bewogen als een vijlhouder (los verkrijgbaar) wordt gebruikt. Op de vijlhouder staan merktekens voor de juiste slijphoek van 30° (lijn de merktekens parallel uit met de zaagketting) en beperkt de diepte waartoe de vijl doordringt (tot 4/5 van de vijldiameter) (zie afb. 35).
- Nadat de zaagketting is geslepen, controleert u de hoogte van de dieptevoeler met behulp van het kettingmeetgereedschap (los verkrijgbaar) (zie afb. 36).
- Verwijder eventueel uitstekend materiaal, ongeacht hoe klein, met een speciale platte vijl (los verkrijgbaar).
- Maak de voorkant van de dieptevoeler weer rond.

Het zaagblad schoonmaken en het retourkettingswiel smeren

LET OP:

- Draag tijdens deze werkzaamheden altijd een veiligheidsbril. Bramen vormen een kans op letsel.
- Controleer de loopvlakken van het kettingwiel regelmatig op beschadigingen. Maak het zaagblad schoon met behulp van een geschikt gereedschap en verwijder zo nodig bramen (zie afb. 37).
- Als de kettingzaag veel wordt gebruikt, smeert u het retourkettingswiel minstens eenmaal per week. Voordat u nieuw vet aanbrengt, maakt u eerst het gat van 2 mm in de punt van het zaagblad schoon, en perst u vervolgens een kleine hoeveelheid universeelvet (los verkrijgbaar) in het gat.

De olietoevoer schoonmaken (zie afb. 38)

- Maak de olietoevoergroef en het olietoevoergat in het zaagblad schoon.

Nieuwe zaagketting

Gebruik beurtelings twee of drie zaagkettingen, zodat de zaagketting, het kettingwiel en de loopvlakken van het zaagblad gelijkmatig slijten.

Draai het kettingwiel om bij het verwisselen van de zaagketting zodat de gleuf in het zaagblad gelijkmatig slijt.

LET OP:

- Gebruik uitsluitend zaagkettingen en zaagbladen die zijn goedgekeurd voor gebruik met dit model kettingzaag (zie "TECHNISCHE GEGEVENS").
- Controleer de conditie van het kettingwiel voordat u een nieuwe zaagketting monteert (zie afb. 39).

LET OP:

- Een versleten kettingwiel beschadigt een nieuw zaagketting. Vervang in dat geval eerst het kettingwiel. Monteer bij het vervangen van het kettingwiel altijd een nieuwe borgring.

De kettingrem en uitlooprem onderhouden

De remmen zijn uiterst belangrijke veiligheidsvoorzieningen. Net als ieder ander onderdeel van de kettingzaag zijn de remmen onderhevig aan een bepaalde mate van slijtage. Ze moeten regelmatig worden geïnspecteerd door een erkend MAKITA-servicecentrum. Deze maatregel is voor uw eigen veiligheid.

Het gereedschap bewaren

Biologisch afbreekbare zaagkettingolie kan slechts een beperkte tijdsduur bewaard worden. Twee jaar na de productiedatum begint biologisch afbreekbare olie hechteigenschappen te ontwikkelen, waardoor schade aan de oliepomp en de onderdelen van het smeersysteem kan worden veroorzaakt.

- Alvorens de kettingzaag gedurende langere tijd buiten gebruik te stellen, leegt u de olietank en giet u er een kleine hoeveelheid motorolie (SAE 30) in.
- Laat de kettingzaag een korte tijd draaien om alle resten van de biologisch afbreekbare olie uit de

olietank, het smeersysteem en het zaagmechanisme te spoelen.

OPMERKING:

- Nadat de kettingzaag buiten gebruik is gesteld, zal gedurende enige tijd een kleine hoeveelheid kettingolie eruit lekken. Dit is normaal en duidt niet op een defect.

Bewaar de kettingzaag op een geschikte ondergrond. Voordat u de kettingzaag weer in gebruik neemt, vult u de olietank met nieuwe BIOTOP-zaagkettingolie.

Om de VEILIGHEID en BETROUWBAARHEID van het gereedschap te handhaven, dienen alle reparaties, controle en vervanging van de koolborstels, onderhoud en afstellingen te worden uitgevoerd door een erkend Makita-servicecentrum, en altijd met gebruikmaking van originele Makita-vervangingsonderdelen.

PROBLEMEN OPLOSSEN

Alvorens om reparatie te verzoeken, voert u eerst zelf een inspectie uit. Als u een probleem ondervindt dat niet in deze handleiding wordt beschreven, mag u niet proberen het gereedschap uit elkaar te halen. Vraag in plaats daarvan aan een erkend Makita-servicecentrum.

Toestand tijdens defect	Mogelijke oorzaak	Oplossing
De kettingzaag start niet.	Geen voeding.	Sluit aan op de voeding. Controleer de voeding.
	Netsnoer defect.	Stop onmiddellijk met het gebruik van het gereedschap en vraag uw plaatselijke, erkende servicecentrum het gereedschap te repareren.
	Storing van gereedschap.	Stop onmiddellijk met het gebruik van het gereedschap en vraag uw plaatselijke, erkende servicecentrum het gereedschap te repareren.
Zaagketting draait niet.	Kettingrem is vastgezet.	Zet de kettingrem los.
Onvoldoende prestaties.	Koolborstels versleten.	Vraag uw plaatselijke, erkende servicecentrum het gereedschap te repareren.
Geen olie op de zaagketting.	Olietank is leeg.	Vul de olietank.
	Olietoevoergroef is verstopt.	Reinig de groef.
	De stelschroef van de oliepomp is verkeerd afgesteld.	Stel de toevoersnelheid van de oliepomp af.
De zaagketting stopt niet, ook niet wanneer de kettingrem in werking treedt.	Remband is versleten.	Stop onmiddellijk met het gebruik van het gereedschap en vraag uw plaatselijke, erkende servicecentrum het gereedschap te repareren.
Het gereedschap trilt abnormaal sterk.	Zaagblad of zaagketting zit los.	Stel het zaagblad en de kettingspanning in.
	Storing van gereedschap.	Stop onmiddellijk met het gebruik van het gereedschap en vraag uw plaatselijke, erkende servicecentrum het gereedschap te repareren.

014314

VERKRIJGBARE ACCESSOIRES

⚠ LET OP:

- Deze accessoires of hulpstukken worden aanbevolen voor gebruik met het Makita-gereedschap dat in deze gebruiksaanwijzing wordt beschreven. Het gebruik van andere accessoires of hulpstukken kan gevaar voor persoonlijk letsel opleveren. Gebruik de accessoires of hulpstukken uitsluitend voor de aangegeven gebruiksdoeleinden.

Mocht u meer informatie willen hebben over deze accessoires, dan kunt u contact opnemen met uw plaatselijke Makita-servicecentrum.

- Zaagketting
- Schede
- Zaagblad
- Kettingmeetgereedschap
- Ronde vijl van 4,0 mm
- Ronde vijl van 4,5 mm
- Platte vijl

- Vijlhouder met vijl van 4,0 mm
- Vijlhouder met vijl van 4,5 mm
- Vijlhandvat
- Zaagkettlingolie
- Universeelvet
- Vetspuit

OPMERKING:

- Sommige items op de lijst kunnen zijn inbegrepen in de doos van het gereedschap als standaard toebehoren. Zij kunnen van land tot land verschillen.

Geluid ENG905-1
De typische, A-gewogen geluidsniveaus zijn gemeten volgens EN60745:

- Geluidsdrukniveau (L_{pA}): 90,3 dB (A)
- Geluidsvermogeniveau (L_{WA}): 101,3 dB (A)
- Onzekerheid (K): 2,5 dB (A)

Draag gehoorbescherming.

Trillingen ENG900-1
De totale trillingswaarde (triaxiale vectorsom) zoals vastgesteld volgens EN60745:

- Gebruikstoepassing: zagen in hout
- Trillingsemisatie (a_h): 4,7 m/s²
- Onzekerheid (K): 1,5 m/s²

ENG901-1

- De opgegeven trillingsemisatie waarde is gemeten volgens de standaardtestmethode en kan worden gebruikt om dit gereedschap te vergelijken met andere gereedschappen.
- De opgegeven trillingsemisatie waarde kan ook worden gebruikt voor een beoordeling vooraf van de blootstelling.

⚠ WAARSCHUWING:

- De trillingsemisatie tijdens het gebruik van het elektrisch gereedschap in de praktijk kan verschillen van de opgegeven trillingsemisatie waarde afhankelijk van de manier waarop het gereedschap wordt gebruikt.
- Zorg ervoor dat veiligheidsmaatregelen worden getroffen ter bescherming van de operator die zijn gebaseerd op een schatting van de blootstelling onder praktijkomstandigheden (rekening houdend met alle fasen van de bedrijfscyclus, zoals de tijdsduur gedurende welke het gereedschap is uitgeschakeld en stationair draait, naast de ingeschakelde tijdsduur).

Alleen voor Europese landen ENH021-8

EU-verklaring van conformiteit

Makita verklaart dat de volgende machine(s):

- Aanduiding van de machine: Kettingzaag
- Modelnr./Type: UC3041A, UC3541A, UC4041A
- Technische gegevens: zie de tabel "TECHNISCHE GEGEVENS".

Voldoen aan de volgende Europese richtlijnen:

2000/14/EG, 2006/42/EG

Deze zijn gefabriceerd in overeenstemming met de volgende normen of genormaliseerde documenten: EN60745

Het technische bestand volgens 2006/42/EG is verkrijgbaar bij:

Makita, Jan-Baptist Vinkstraat 2, 3070, België

De conformiteitsbeoordelingsprocedure vereist door Richtlijn 2000/14/EG was in Overeenstemming met annex V.

Gemeten geluidsvermogeniveau: 102,2 dB (A)

Gegarandeerd geluidsvermogeniveau: 104 dB (A)

26. 4. 2013



Yasushi Fukaya
Directeur

Makita, Jan-Baptist Vinkstraat 2, 3070, België

ESPAÑOL (Instrucciones originales)

Explicación de los dibujos

- | | | |
|------------------------------------|--|---|
| 1. Freno de la cadena aplicado | 17. Receptor de cadena | 30. Correa |
| 2. Freno de la cadena desbloqueado | 18. Cubierta de la barra de guía | 31. Bloquear |
| 3. Mango trasero | 19. Gancho del cable | 32. Desbloquear |
| 4. Interruptor disparador | 20. Tornillo de ajuste para la bomba de aceite (en la parte inferior) | 33. Área de tala |
| 5. Tapa de llenado de aceite | 21. Rueda dentada | 34. Dirección de caída |
| 6. Mango frontal | 22. Orificio | 35. Zona peligrosa |
| 7. Protector de mano delantero | 23. Gancho | 36. Ruta de escape |
| 8. Barra de guía | 24. Pasador | 37. Longitud de la cortadora |
| 9. Cadena de la sierra | 25. Aflojar | 38. Distancia entre el borde de corte y el calibre de profundidad |
| 10. Palanca | 26. Apretar | 39. Mínimo, 3 mm |
| 11. Cubierta de rueda dentada | 27. Cable de la herramienta | 40. Ángulo de la placa lateral |
| 12. Dial de ajuste | 28. Cable de extensión | 41. Ranura de guía de aceite |
| 13. Protector de mano trasero | 29. Clavija y toma de corriente (la forma puede diferir de un país a otro) | 42. Orificio de alimentación de aceite |

ESPECIFICACIONES

Modelo		UC3041A		UC3541A		UC4041A	
Velocidad máx. de la cadena		14,5 m/s (870 m/min)					
Barra de guía estándar	Longitud de la barra	300 mm		350 mm		400 mm	
	Longitud de corte	265 mm		325 mm		360 mm	
	Tipo de barra de guía	Barra de extremo de rueda dentada					
Cadena de la sierra estándar	Tipo	90PX	91PX	90PX	91PX	90PX	91PX
	Paso de los dientes	3/8"					
	Nº de eslabones	46		52		56	
Longitud recomendada de la barra de guía		300 - 400 mm					
Longitud total (sin barra de guía)		455 mm					
Peso neto		4,6 kg		4,7 kg		4,7 kg	
Cable de extensión (opcional)		DIN 57282/HO 7RN -F L = 30 m máx., 3 x 1,5 mm ²					

- Debido a nuestro programa continuo de investigación y desarrollo, las especificaciones aquí descritas están sujetas a cambios sin previo aviso.
- Las especificaciones pueden ser diferentes de un país a otro.
- Peso de acuerdo con el procedimiento EPTA 01/2003

Símbolos

END218-7

Se utilizan los siguientes símbolos para el equipo.

Asegúrese de que comprende su significado antes del uso.



..... Lea el manual de instrucciones y siga las advertencias y las instrucciones de seguridad.



..... Utilice protección para los ojos.



..... Utilice protección para los oídos.



..... DOBLE AISLAMIENTO



..... Precaución: extreme la precaución y el cuidado.



..... Precaución: desenchufe la herramienta de la toma de corriente si el cable está dañado.



..... Precaución: contragolpe.



..... Proteja de la lluvia y la humedad.



..... Lleve casco y protección para los ojos y oídos.



..... Póngase guantes de seguridad.



..... Desenchufe la herramienta de la toma de corriente.



..... Primeros auxilios



..... Longitud de corte máxima permitida



..... Dirección de desplazamiento de la cadena



..... Aceite de la cadena



..... Freno de la cadena desbloqueado



..... Freno de la cadena aplicado



..... Prohibido.



Sólo para países de la Unión Europea
¡No deseche los aparatos eléctricos junto con los residuos domésticos!

De conformidad con la Directiva Europea sobre residuos de aparatos eléctricos y electrónicos y su aplicación de acuerdo con la legislación nacional, las herramientas eléctricas cuya vida útil haya llegado a su fin se deberán recoger por separado y trasladar a una planta de reciclaje que cumpla con las exigencias ecológicas.

Uso previsto

ENE05-1

Esta herramienta está diseñada para cortar madera y troncos.

Alimentación

ENF002-2

La herramienta debe conectarse solamente a una fuente de alimentación de la misma tensión que la indicada en la placa de características, y sólo puede funcionar con corriente alterna monofásica. La herramienta cuenta con un doble aislamiento y puede, por lo tanto, usarse también en tomacorrientes sin conductor de tierra.

En sistemas públicos de distribución de baja tensión, entre 220 V y 250 V.

ENF100-1

Cambiar de operaciones en los aparatos eléctricos puede provocar fluctuaciones de tensión. El funcionamiento de esta herramienta en condiciones desfavorables de alimentación eléctrica puede afectar negativamente al funcionamiento de otros equipos. Con una impedancia eléctrica igual o inferior a 0,29 ohmios, se puede prever que no habrá ningún efecto negativo. La toma de corriente que se utilice para esta herramienta debe estar protegida con un fusible o disyuntor de protección con características de disyunción lenta.

Advertencias de seguridad generales para herramientas eléctricas

GEA010-1

⚠ ADVERTENCIA Lea todas las advertencias de seguridad y todas las instrucciones. La no observancia de las advertencias y las instrucciones puede provocar descargas eléctricas, incendios y/o lesiones graves.

Guarde todas las advertencias e instrucciones para futuras consultas.

Advertencias de seguridad de la sierra

GEB037-8

1. **Mantenga todas las partes del cuerpo alejadas de la cadena de la sierra cuando esté en funcionamiento. Antes de poner en marcha la sierra, asegúrese de que no esté en contacto con ningún objeto.** Un momento de falta de atención

mientras se utiliza la sierra puede provocar que su ropa o su cuerpo se enrede con la cadena de la sierra.

2. **Sujete siempre la sierra con su mano derecha en el mango trasero y su mano izquierda en el mango frontal.** Sujetar la sierra con las manos en la posición contraria aumenta el riesgo de lesiones personales y nunca debe hacerse.
3. **Sujete la herramienta eléctrica solamente por las superficies de agarre aisladas, ya que la cadena de la sierra puede entrar en contacto con cables ocultos o su propio cable.** Las cadenas de sierra que entren en contacto con un cable con corriente pueden provocar que las partes metálicas expuestas de la herramienta eléctrica conduzcan la electricidad y el operario sufra una descarga eléctrica.
4. **Utilice gafas de seguridad y protectores para los oídos. Se recomienda utilizar equipo de protección adicional para la cabeza, las manos, las piernas y los pies.** Una ropa protectora adecuada reducirá las lesiones personales producidas por objetos que salen despedidos o por un contacto accidental con la cadena de la sierra.
5. **No utilice una sierra en un árbol.** El uso de una sierra mientras está subido a un árbol puede provocar lesiones personales.
6. **Mantenga siempre un apoyo estable y utilice la sierra solamente cuando esté sobre una superficie firme, segura y nivelada.** Las superficies resbaladizas o inestables como las escaleras pueden provocar la pérdida del equilibrio o del control de la sierra.
7. **Cuando corte una rama que esté sometida a tensión, esté preparado para su rebote.** Cuando se libera la tensión de las fibras de la madera, la rama bajo el efecto de torsión puede golpear al operador y/ o hacer perder el control de la sierra.
8. **Tome precauciones extremas cuando corte arbustos y árboles jóvenes.** El material delgado puede quedar atrapado en la cadena de la sierra y salir despedido hacia usted o bien puede hacerle perder el equilibrio.
9. **Transporte la sierra por el mango frontal manteniéndola apagada y alejada de su cuerpo. Cuando transporte o almacene la sierra, siempre debe colocar la cubierta de la barra de guía.** Un manejo correcto de la sierra reducirá la probabilidad de contacto accidental con la cadena de la sierra en movimiento.
10. **Siga las instrucciones para lubricar, tensar la cadena y cambiar accesorios.** Una cadena tensada o lubricada incorrectamente puede romperse o aumentar la probabilidad de un contragolpe.
11. **Mantenga los mangos secos, limpios y libres de aceite y grasa.** Los mangos manchados de grasa o aceite resbalan y causan la pérdida de control.
12. **Corte madera solamente. No utilice la sierra con finalidades para las que no se ha diseñado. Por ejemplo: no utilice la sierra para cortar plástico, mampostería o materiales de construcción que no sean de madera.** Si utiliza la sierra para realizar operaciones distintas de las previstas, puede presentarse una situación peligrosa.
13. **Causas de contragolpes y prevención por parte del operario:**

El contragolpe se puede producir cuando el extremo o la punta de la barra de guía toca un objeto o cuando la madera se cierra y atrapa la cadena de la sierra en el corte.

En algunos casos, el contacto de la punta puede provocar una repentina reacción inversa, empujando la barra de guía hacia arriba y hacia atrás, hacia el operario.

Si la cadena de la sierra queda atrapada en la parte superior de la barra de guía, la barra puede verse empujada rápidamente hacia atrás, hacia el operario. Cualquiera de esas reacciones puede provocar la pérdida del control de la sierra, lo que puede provocar graves lesiones personales. No dependa exclusivamente de los dispositivos de seguridad integrados en la sierra. Como usuario de la sierra, debe seguir varios pasos adicionales para evitar accidentes y lesiones en los trabajos de corte.

El contragolpe es el resultado de un mal uso de la herramienta o de condiciones o procedimientos de uso incorrectos y se puede evitar tomando las precauciones que se indican a continuación:

- **Sujete firmemente la herramienta, con los dedos alrededor de los mangos de la sierra, con ambas manos en la sierra, y colóquese su cuerpo y sus brazos de forma que pueda resistir las fuerzas del contragolpe.** El operario puede controlar las fuerzas del contragolpe si se toman las precauciones adecuadas. No suelte la sierra. (Fig. 1)
- **No intente llegar demasiado lejos y no corte por encima de la altura de los hombros.** Esto ayuda a evitar un contacto no intencionado de la punta y permite un mejor control de la sierra en situaciones inesperadas.
- **Utilice únicamente barras y cadenas de repuesto especificadas por el fabricante.** Las barras y las cadenas de reemplazo incorrectas pueden provocar la rotura de la cadena y/o contragolpes.
- **Siga las instrucciones de afilado y mantenimiento del fabricante para la cadena de la sierra.** La reducción de la profundidad del calibre de la cadena puede provocar un aumento de los contragolpes.

5. No trabaje nunca bajo la influencia de alcohol, drogas o medicamentos.

Uso adecuado

1. La sierra se ha diseñado exclusivamente para cortar madera. No la utilice para cortar otros materiales como plástico u hormigón poroso.
2. Utilice únicamente la sierra para las operaciones descritas en este manual de instrucciones. **No** la utilice, por ejemplo, para recortar setos o para tareas similares.
3. La sierra no debe utilizarse en trabajos de silvicultura como, por ejemplo, la tala de ramas en vertical. El cable de la sierra no proporciona al operador la movilidad y seguridad necesarias para dichos trabajos.
4. La sierra no se ha diseñado para un uso comercial.
5. No sobrecargue la sierra.

Equipo de protección personal

1. La vestimenta debe estar pegada al cuerpo pero sin impedir la movilidad.
2. Póngase la siguiente vestimenta protectora durante el trabajo:
 - Un casco de seguridad probado, por un posible riesgo de caída de ramas o similar.
 - Una careta o gafas protectoras.
 - Protección adecuada para los oídos (orejeras, o tapones para los oídos amoldables o personalizados). Análisis de banda de octavas bajo petición.
 - Guantes de seguridad de piel rígida.
 - Pantalones largos de una tela resistente.
 - Mono de trabajo protector de una tela resistente a cortes.
 - Zapatos o botas de seguridad con suelas no resbaladizas, punteras de acero y revestimiento de un tejido resistente a cortes.
 - Mascarilla para realizar trabajos que produzcan polvo (por ejemplo, serrar madera seca).

Protección frente a descargas eléctricas



La sierra no debe utilizarse bajo la lluvia ni en lugares húmedos, pues el motor eléctrico no es impermeable.

1. Enchufe la sierra únicamente en tomas de corriente circuitos eléctricos probados. Compruebe que la tensión del sistema coincide con la de la placa de clasificación. Compruebe que se ha instalado un fusible de línea de 16 A. Las sierras que se utilizan al aire libre deben conectarse a un disyuntor de corriente residual con una corriente de funcionamiento no superior a los 30 mA.



Si se daña el cable de conexión, desenchufe inmediatamente la herramienta de la toma de corriente.

Prácticas para un trabajo seguro

1. Antes de empezar a trabajar, compruebe que la sierra está en perfecto estado de funcionamiento y que cumple las normas de seguridad. En concreto, compruebe que:
 - El freno de la cadena funciona correctamente.

NORMAS DE SEGURIDAD ADICIONALES

1. Lea el manual de instrucciones para familiarizarse con el funcionamiento de la sierra.
2. Antes de utilizar la sierra por primera vez, procure recibir instrucciones sobre su uso. Si esto no es posible, al menos practique cortando madera en un caballete antes de empezar a trabajar.
3. La sierra no debe ser utilizada por niños ni jóvenes menores de 18 años. Los jóvenes mayores de 16 años pueden quedar excluidos de esta restricción si reciben formación bajo la supervisión de un experto.
4. Trabajar con la sierra requiere un gran nivel de concentración. No trabaje con la sierra si no se encuentra del todo bien. Realice todo el trabajo con calma y con cuidado.

- El freno de detención funciona correctamente.
- La barra y la cubierta de la rueda dentada están instaladas correctamente.
- La cadena se ha afilado y tensado de acuerdo con las normas.
- El cable y el enchufe de la toma de corriente no están dañados.

Consulte la sección "COMPROBACIONES".

2. En concreto, compruebe siempre que el cable de extensión utilizado tiene un corte transversal adecuado (consulte "ESPECIFICACIONES"). Si utiliza un rollo de cable, desenrolle completamente el cable. Si utiliza la sierra al aire libre, asegúrese de que el cable utilizado ha sido diseñado para su uso al aire libre y tiene la clasificación correcta.
3. Mantenga el cable alejado del área de corte y colóquelo de forma que no quede atrapado en ramas y objetos similares durante el corte.
4. No utilice la sierra cerca de polvo o gases inflamables, ya que el motor genera chispas y **podría provocar una explosión**.
5. Trabaje solamente sobre tierra firme y con un buen apoyo. Preste atención especialmente a los obstáculos (por ejemplo, el cable) en el área de trabajo. Tenga cuidado especialmente en las superficies cubiertas de humedad, hielo, nieve, madera recién cortada o corteza, pues podría resbalar. No se suba a escaleras ni a los árboles cuando utilice la sierra.
6. Tenga cuidado especialmente cuando trabaje en una pendiente, pues las ramas y troncos podrían rodar cuesta abajo y ser peligrosos.
7. No corte nunca por encima de la altura de los hombros.
8. **Sujete la sierra con ambas manos cuando la encienda y la utilice.** Sujete el mango trasero con la mano derecha y el mango frontal con la izquierda. Sujete firmemente los mangos con los pulgares. La barra y la cadena no deben estar en contacto con ningún objeto cuando encienda la sierra. (Fig. 1)
9. Limpie el área que va a cortar de objetos tales como arena, piedra, clavos, cables, etc. Los objetos extraños dañan la barra y la cadena y pueden provocar un retroceso peligroso de la herramienta.
10. Tenga cuidado especialmente cuando corte cerca de vallas de alambre. No corte en la valla, pues la sierra podría retroceder.
11. No corte en la tierra.
12. Corte los trozos de madera individualmente, no en grupos ni pilas.
13. Evite utilizar la sierra para cortar ramas y raíces, pues pueden enredarse en la sierra. La pérdida de equilibrio supone un riesgo.
14. Utilice un soporte seguro (caballete) cuando corte madera serrada.
15. No utilice la sierra para levantar ni cepillar trozos de madera y otros objetos.
16. Guíe la sierra de forma que ninguna parte del cuerpo se encuentre en la línea de trabajo de la cadena de la sierra (consulte la figura). (Fig. 2)
17. Cuando se mueva entre las distintas operaciones de serrado, aplique el freno de la cadena para evitar que ésta se accione accidentalmente. Sujete la sierra por

el mango frontal cuando la transporte y no deje el dedo sobre el interruptor.

18. Desenchufe la herramienta de la toma de corriente durante las pausas de trabajo o cuando deje la sierra desatendida. Deje la sierra en un lugar donde no suponga un riesgo.

Contragolpe

1. Puede producirse un contragolpe peligroso mientras trabaja con la sierra. El contragolpe se produce cuando el extremo de la barra (en particular, en el cuarto superior) entra en contacto con madera o con otro objeto sólido. Esto provoca un desvío de la sierra en la dirección del operador. (Fig. 3)
2. Para evitar el contragolpe, tenga en cuenta lo siguiente:
 - No empiece nunca el corte con el extremo de la barra.
 - No utilice nunca el extremo de la barra para cortar. Tenga cuidado especialmente cuando reanude cortes que ya había iniciado.
 - Inicie el corte con la cadena en funcionamiento.
 - Afile siempre la cadena correctamente. En particular, establezca el calibre de profundidad en la altura correcta.
 - No sierre nunca a través de varias ramas de una sola vez.
 - Cuando tale ramas, procure evitar que la barra entre en contacto con las demás ramas.
 - Cuando corte troncos, aléjese de los troncos adyacentes. Observe siempre el extremo de la barra.
 - Utilice un caballete.

Características de seguridad

1. Antes de empezar a trabajar, compruebe siempre que las características de seguridad están en perfecto estado de funcionamiento. No utilice la sierra si las características de seguridad no funcionan correctamente.
 - **Freno de la cadena:**
La sierra incluye un freno de la cadena que detiene la cadena de la sierra en una fracción de segundo. Se activa cuando se empuja hacia adelante el protector de mano. La cadena de la sierra se detiene en menos de 0,15 segundos y se interrumpe la alimentación de corriente al motor. (Fig. 4)
 - **Freno de detención:**
La sierra incluye un freno de detención que detiene inmediatamente la cadena de la sierra cuando se suelta el interruptor ON/OFF. De esta forma, se evita el riesgo que supone que la cadena de la sierra se ponga en marcha cuando está apagada.
 - Los **protectores de mano delantero y trasero** protegen al usuario de las lesiones que podría provocar el lanzamiento hacia atrás de trozos de madera o la rotura de la cadena de la sierra.
 - El **cierre del disparador** evita que la sierra se encienda por accidente.
 - El **receptor de cadena** protege al usuario de posibles lesiones en caso de que la cadena salte o se rompa.

Transporte y almacenamiento



Cuando no utilice la sierra o cuando la transporte, desenchufe la herramienta de la toma de corriente y proteja la sierra con la cubierta de la barra de guía suministrada. Nunca transporte la sierra con la cadena de la sierra en funcionamiento.

1. Transporte la sierra sujetándola únicamente por el mango frontal, con la barra apuntando hacia atrás.
2. Guarde la sierra en una habitación segura, seca y cerrada bajo llave, fuera del alcance de los niños. No almacene la sierra en el exterior.

Mantenimiento

1. Desenchufe la herramienta de la toma de corriente antes de realizar tareas de ajuste o mantenimiento.
2. Compruebe periódicamente el cable de alimentación para ver si está correctamente aislado.
3. Limpie la sierra con regularidad.
4. Repare de forma inmediata y adecuada cualquier daño en el alojamiento de plástico.
5. No utilice la sierra si el interruptor disparador no funciona correctamente. Procure que sea reparado correctamente.
6. En ningún caso deben realizarse modificaciones en la sierra. Su seguridad está en riesgo.
7. No realice tareas de mantenimiento o reparaciones que no sean las descritas en este manual de instrucciones. Cualquier otro trabajo debe ser realizado por los centros de servicio técnico autorizados.
8. Utilice solamente repuestos y accesorios originales diseñados para su modelo de sierra. El uso de otras piezas puede aumentar el riesgo de accidente.
9. No aceptamos ninguna responsabilidad por los accidentes o daños provocados por el uso de barras, cadenas de sierra u otros repuestos y accesorios no aprobados.

Primeros auxilios



No trabaje en solitario. Trabaje siempre en un radio que permita a una segunda persona escuchar sus gritos.

1. Tenga siempre a mano un botiquín de primeros auxilios. Reponga inmediatamente el contenido del botiquín que haya utilizado.
2. Si necesita ayuda en caso de accidente, informe de lo siguiente:
 - ¿Dónde ha tenido lugar el accidente?
 - ¿Qué ha ocurrido?
 - ¿Cuántos heridos hay?
 - ¿Qué heridas tienen?
 - ¿Quién está informando del accidente?

NOTA:

Las personas con problemas circulatorios que están expuestas a vibraciones excesivas pueden sufrir lesiones en los vasos sanguíneos o en el sistema nervioso. La vibración puede provocar los siguientes síntomas en los dedos, manos o muñecas: "adormecimiento", hormigueo, dolor, sensación punzante, alteración del color de la piel o de la piel.

Si sufre alguno de estos síntomas, acuda a un médico.

GUARDE ESTAS INSTRUCCIONES.



ADVERTENCIA:

NO deje que la comodidad o la familiaridad con el producto (a base de utilizarlo repetidamente) sustituya la estricta observancia de las normas de seguridad del producto en cuestión. El MAL USO o la no observancia de las normas de seguridad expuestas en este manual de instrucciones pueden ocasionar graves daños corporales.

DENOMINACIÓN DE LAS PIEZAS (Fig. 5)

MONTAJE



PRECAUCIÓN:

- Asegúrese siempre de que la herramienta esté apagada y desenchufada antes de intentar realizar cualquier trabajo en ella.

Extracción o instalación de la cadena de la sierra



PRECAUCIÓN:

- Protéjase con guantes siempre que instale o extraiga la cadena de la sierra.

Para extraer la cadena de la sierra, siga estos pasos:

1. Pulse y abra completamente la palanca hasta que se detenga. (Fig. 6)
2. Gire la palanca en el sentido contrario a las agujas del reloj para aflojar la cubierta de la rueda dentada hasta que se desprenda.
3. Gire el dial de ajuste hacia "-" para destensar la cadena de la sierra. (Fig. 7)
4. Extraiga la cubierta de la rueda dentada.
5. Extraiga la cadena de la sierra y la barra de guía de la sierra.

Para instalar la cadena de la sierra, siga estos pasos:

6. Asegúrese de la dirección de la cadena. La marca de flecha de la cadena indica la dirección de giro de la misma. (Fig. 8)
7. Encaje un extremo de la cadena de la sierra en la parte superior de la barra de guía y el otro extremo alrededor de la rueda dentada.
8. Coloque la barra de guía sobre la sierra.
9. Alinee el control deslizante de tensión con el orificio de la barra de guía. (Fig. 9)
10. Mientras sujeta la barra de guía, gire el dial de ajuste hacia "+" para ajustar la tensión de la cadena de la sierra.
11. Coloque la cubierta de la rueda dentada de forma que los ganchos encajen en los orificios y el pasador encaje en su lugar específico en la cubierta de la rueda dentada. (Fig. 10)
12. Gire la palanca en el sentido de las agujas de reloj para fijar la cubierta de la rueda dentada. (Fig. 11)
13. Pulse y devuelva la palanca a su posición original.

Ajuste de la tensión de la cadena de la sierra

La cadena de la sierra puede aflojarse después de muchas horas de uso. Revise periódicamente la tensión de la cadena de la sierra antes de utilizarla.

1. Pulse y abra completamente la palanca hasta que oiga un chasquido. Gírela un poco en el sentido contrario a las agujas del reloj para aflojar la cubierta de la rueda dentada ligeramente. (Fig. 6)
2. Levante la punta de la barra de guía ligeramente. (Fig. 12)
3. Gire el dial de ajuste para ajustar la tensión de la cadena de la sierra. Apriete la cadena de la sierra hasta que la parte inferior de la cadena de la sierra encaje en el carril de la barra de guía (vea el círculo).
4. Siga sujetando la barra de guía ligeramente y apriete la cubierta de rueda dentada tras ajustar la tensión de la cadena. Asegúrese de que la cadena de la sierra no se afloje en el lado inferior.
5. Presione y devuelva la palanca a su posición original. (Fig. 13)

Asegúrese de que la cadena de la sierra se ajuste perfectamente contra el lado inferior de la barra.

PRECAUCIÓN:

- No apriete demasiado la cadena de la sierra. Si la cadena de la sierra está demasiado tensada, puede romperse, desgastar la barra de guía y romper el dial de ajuste.
- Una cadena demasiado floja puede salirse de la barra, por lo que supone un riesgo de accidente.
- Realice el procedimiento de instalación o extracción de la cadena de la sierra en un lugar libre de serrín y elementos similares.

Acoplamiento de un cable de extensión

PRECAUCIÓN:

- Asegúrese de que el cable de extensión esté desenchufado del enchufe de pared. (Fig. 14)

Cuando conecte el cable de extensión, fíjelo al cable de la sierra con el gancho para cables.

Acople el gancho a unos 100 – 200 mm del conector del cable de extensión. Esto evitará la desconexión accidental.

FUNCIONAMIENTO

Accionamiento del interruptor (Fig. 15)

PRECAUCIÓN:

- Asegúrese siempre de que la herramienta esté apagada y desenchufada antes de comprobar el funcionamiento del interruptor disparador.
- Antes de enchufar la herramienta, asegúrese siempre de que el interruptor disparador funcione como es debido y de que vuelva a la posición "OFF" (apagado) al soltarlo.

NOTA:

- No encienda y apague la herramienta demasiadas veces en un período de tiempo breve (cinco segundos o menos). La temperatura dentro de la herramienta aumentará y puede dañar la herramienta. El tiempo

varía en función de la temperatura atmosférica y otras condiciones. (Fig. 16)

Para evitar que el interruptor disparador pueda ser apretado accidentalmente, se ha provisto un botón de desbloqueo.

Para poner en marcha la herramienta, presione el botón de desbloqueo y tire del interruptor disparador. Suelte el interruptor disparador para detener la herramienta.

Lubricación

PRECAUCIÓN:

- Asegúrese siempre de que la herramienta esté apagada y desenchufada antes de lubricar la cadena de la sierra.

Lubrique la cadena de la sierra con un aceite para cadenas de sierra biodegradable con un agente adherente. El agente adherente del aceite para cadenas de sierra evita que el aceite se elimine de la sierra con excesiva rapidez. No se deben utilizar aceites minerales, pues son dañinos para el medioambiente. (Fig. 17)

PRECAUCIÓN:

- Evite que el aceite entre en contacto con la piel y los ojos. El contacto con los ojos provoca irritación. Si entra en contacto con los ojos, lávelos inmediatamente con abundante agua y consulte a un doctor en seguida.
- No utilice nunca aceite residual. El aceite residual contiene sustancias cancerígenas. Los contaminantes del aceite residual pueden provocar un desgaste acelerado de la bomba de aceite, la barra y la cadena. El aceite residual es dañino para el medioambiente.
- Cuando llene la sierra con aceite para cadena por primera vez, o cuando rellene el depósito después de que se haya vaciado por completo, añada aceite hasta el borde inferior del cuello de llenado. De lo contrario, es posible que el aceite no se distribuya correctamente.

Para rellenar el aceite, siga estos pasos: (Fig. 18)

1. Limpie a fondo el área alrededor de la tapa de llenado de aceite para evitar que entre suciedad en el depósito de aceite.
2. Desatornille la tapa de llenado de aceite y añada aceite hasta el borde inferior del cuello de llenado.
3. Atornille nuevamente y con firmeza la tapa de llenado de aceite.
4. Limpie con cuidado el aceite para cadena que haya podido salpicar.

NOTA:

- Si utiliza la sierra por primera vez, el aceite para cadenas de sierra puede tardar un par de minutos en iniciar su efecto lubricante sobre el mecanismo de la sierra. Accione la sierra sin carga hasta que se lubrique el mecanismo (consulte "COMPROBACIONES").

COMPROBACIONES

Antes de empezar a trabajar, realice las siguientes comprobaciones:

Compruebe la tensión de la cadena

ADVERTENCIA:

- Desenchufe siempre la herramienta de la toma de corriente antes de comprobar la tensión de la cadena y póngase guantes de seguridad.

Asegúrese de que la cadena de la sierra se ajuste perfectamente contra el lado inferior de la barra (vea el círculo). **(Fig. 12)**

Compruebe con frecuencia la tensión de la cadena, ya que las nuevas cadenas pueden alargarse.

Si la cadena de la sierra está demasiado tensada, puede romperse, desgastar la barra de guía y romper el dial de ajuste.

Una cadena demasiado floja puede salirse de la barra, por lo que supone un riesgo de accidente.

Si la cadena está demasiado floja: consulte la sección titulada "Ajuste de la tensión de la cadena de la sierra" y ajuste nuevamente la tensión de la cadena de la sierra.

Comprobación de la acción del interruptor

PRECAUCIÓN:

Antes de enchufar la herramienta, asegúrese siempre de que el interruptor disparador funcione como es debido y de que vuelva a la posición "OFF" (apagado) al soltarlo. Para evitar que el interruptor disparador pueda ser apretado accidentalmente, se ha provisto un botón de desbloqueo.

Para poner en marcha la herramienta, presione el botón de desbloqueo y tire del interruptor disparador. Suelte el interruptor disparador para detener la herramienta. No tire con fuerza del interruptor disparador sin presionar el botón de desbloqueo. Podría romper el interruptor.

Comprobación del freno de la cadena

NOTA:

- Si la sierra no se pone en marcha, compruebe si el freno de la cadena está suelto. Para soltar el freno de la cadena, tire del protector de mano hacia atrás firmemente hasta que note cómo se acciona. **(Fig. 19 y 20)**

Compruebe el freno de la cadena de la siguiente manera:

1. Sujete la sierra con ambas manos cuando la encienda. Sujete el mango trasero con la mano derecha y el mango frontal con la izquierda. Asegúrese de que la barra y la cadena no estén en contacto con ningún objeto.
2. Presione primero el botón de desbloqueo y, a continuación, el interruptor disparador. La cadena de la sierra se pondrá en marcha inmediatamente.
3. Presione el protector de mano frontal hacia adelante con el reverso de la mano. Asegúrese de que la cadena de la sierra se detiene por completo inmediatamente.

PRECAUCIÓN:

- Si la cadena de la sierra no se detiene inmediatamente, no utilice la sierra bajo ninguna circunstancia. Consulte con los centros de servicio autorizados de Makita.

Comprobación del freno de detención

Encienda la sierra.

Suelte completamente el interruptor disparador.

Asegúrese de que la cadena de la sierra se detenga por completo antes de que transcurra un segundo.

PRECAUCIÓN:

- Si la cadena de la sierra no se detiene inmediatamente, no utilice la sierra bajo ninguna circunstancia. Consulte con los centros de servicio autorizados de Makita.

Compruebe el engrasador de la cadena

Antes de empezar a trabajar, compruebe el nivel de aceite del depósito y la distribución de aceite.

El nivel de aceite puede verse en el visor del nivel de aceite que se muestra en la figura. **(Fig. 21)**

Compruebe la distribución de aceite de la siguiente manera:

Ponga en marcha la sierra.

Con la sierra en funcionamiento, sujete la sierra unos 15 cm por encima de un tronco o de la tierra. Si la lubricación es adecuada, el pulverizador de aceite producirá una ligera huella de aceite.

Observe la dirección del viento y no se esponga innecesariamente a la pulverización de aceite.

PRECAUCIÓN:

- Si no se forma una huella de aceite, no utilice la sierra. De lo contrario, la vida útil de la cadena puede verse reducida. Compruebe el nivel de aceite. Limpie la ranura de alimentación de aceite y el orificio de alimentación de aceite en la barra (consulte "MANTENIMIENTO").

Ajuste de la lubricación de la cadena (Fig. 22)

Puede ajustar la velocidad de alimentación de la bomba de aceite con el tornillo de ajuste.

PRECAUCIÓN:

- Utilice siempre un mango frontal y un mango trasero y sujete firmemente la herramienta por el mango frontal y el mango trasero durante el funcionamiento.
- Fije siempre la madera que desea cortar, de lo contrario los fragmentos cortados pueden provocar lesiones personales.

TRABAJO CON LA SIERRA

Corte de troncos (Fig. 23)

Quando corte troncos, apoye las púas de tope que se muestran en la figura sobre la madera que va a cortar. Con la cadena de la sierra en funcionamiento, sierre la madera utilizando el mango trasero para elevar la sierra y el mango frontal para guiarla. Utilice las púas de tope como pivote.

Siga cortando aplicando una ligera presión en el mango frontal y moviendo ligeramente hacia atrás la sierra. Mueva las púas de tope introduciéndolas más en la madera y eleve nuevamente el mango frontal.

Si realiza varios cortes, apague la sierra entre corte y corte.

PRECAUCIÓN:

- Si utiliza el borde superior de la barra para cortar, la sierra podría desviarse en dirección hacia usted si la cadena queda atrapada. Por este motivo, corte con el borde inferior, de forma que la sierra se desvíe lejos de su cuerpo. **(Fig. 24)**

Si se trata de madera sometida a tensión, corte primero el lado bajo presión (A). Luego realice el corte final en el lado bajo tensión (B). De esta forma evitará que la barra quede atrapada. **(Fig. 25)**

Tala de ramas

PRECAUCIÓN:

- La tala de ramas sólo debe ser realizada por personas que hayan recibido tal formación. Existe el peligro de contragolpe de la herramienta.

Cuando tale ramas, apoye la sierra sobre el tronco si es posible. No corte con el extremo de la barra, pues podría provocar el contragolpe de la herramienta.

Preste especial atención a las ramas sometidas a tensión. No corte desde abajo las ramas que no tengan apoyo.

No se ponga encima del tronco talado cuando tale las ramas.

Perforación y cortes paralelos a la fibra

PRECAUCIÓN:

- La perforación y los cortes paralelos a la fibra deben ser realizados únicamente por personas con una formación especial. La posibilidad de contragolpe puede provocar lesiones.

Realice cortes paralelos a la fibra en un ángulo lo más plano posible. Realice el corte con el mayor cuidado, pues no es posible utilizar las púas de tope. **(Fig. 26)**

Tala de árboles

PRECAUCIÓN:

- La tala de árboles sólo debe ser realizada por personas que hayan recibido tal formación. Es un trabajo peligroso.

Observe las normas locales si desea talar un árbol.

(Fig. 27)

- Antes de iniciar el trabajo de tala, asegúrese de que:
 - (1) Sólo se encuentran en las cercanías las personas que van a intervenir en la tala.
 - (2) Todas las personas que intervienen en el trabajo tienen una vía de retirada sin estorbos en un rango de 45° aproximadamente en cualquier lado del eje de tala. Tenga en cuenta el riesgo adicional que supone tropezar con cables eléctricos.
 - (3) La base del tronco no tiene objetos extraños, raíces ni ramas.
 - (4) No hay ninguna persona u objeto en una distancia igual al doble y medio de la longitud del árbol en la dirección en que éste va a caer.
- Tenga en cuenta los siguientes aspectos en cada uno de los árboles:
 - Dirección de inclinación.
 - Ramas secas o sueltas.
 - Altura del árbol.
 - Saliente natural.
 - Si el árbol está podrido o no.

- Tenga en cuenta la dirección y la velocidad del viento. No realice trabajos de tala si el viento sopla a rachas fuertes.
- Recorte de raíces dilatadas: comience por las dilataciones más grandes. Realice primero el corte vertical y luego el horizontal.
- Realice un corte en la base del árbol: este corte determina la dirección en la que caerá el árbol y lo guía. Se realiza en el lado hacia el cual debe caer el árbol. Realice el corte lo más cerca de la tierra como sea posible. Primero realice el corte horizontal con una profundidad de 1/5 a 1/3 del diámetro del árbol. No realice un corte demasiado grande. A continuación, realice el corte diagonal. **(Fig. 28)**
- Corte las correcciones en toda la anchura del corte realizado en la base.
- Realice el corte trasero un poco más arriba que el corte de la base. El corte trasero debe ser exactamente horizontal. Deje aproximadamente una décima parte del diámetro del tronco entre el corte trasero y el corte de la base. Las fibras de madera de la parte del tronco no cortada actúan como bisagra. No corte directamente a través de las fibras bajo ningún concepto, pues de lo contrario el árbol caerá libremente. Inserte cuñas en el corte trasero a su debido tiempo. **(Fig. 29)**
- Sólo debe utilizar cuñas de aluminio o plástico para mantener el corte trasero abierto. El uso de cuñas de hierro está prohibido.
- Manténgase en pie junto al árbol que va a caer. Mantenga una área despejada en la parte trasera del árbol que va a caer con un ángulo máximo de 45° a cualquier lado del eje del árbol (consulte la figura relativa al "área de tala"). Preste atención a las ramas que caen.
- Debe planificarse una ruta de escape y debe despejarse, si es necesario, antes de iniciar el trabajo de corte. La ruta de escape debería extenderse en diagonal y por detrás de la línea de caída esperada, tal y como se ilustra en la figura. **(Fig. 30)**

MANTENIMIENTO

PRECAUCIÓN:

- Asegúrese siempre de que la herramienta esté apagada y desenchufada antes de intentar realizar cualquier trabajo de inspección o mantenimiento en ella.
 - Póngase siempre guantes cuando realice cualquier tarea de inspección o mantenimiento.
 - Nunca utilice gasolina, benceno, disolvente, alcohol o un producto similar. Se puede provocar una decoloración, una deformación o grietas.
- Realice a intervalos regulares el trabajo de mantenimiento descrito a continuación. Sólo se aceptarán reclamaciones de garantías si se realizan estas operaciones correctamente y de forma regular. El usuario sólo puede realizar el trabajo de mantenimiento descrito en este manual de instrucciones. Cualquier otro trabajo debe ser realizado por los centros de servicio técnico autorizados de MAKITA.

Limpieza de la sierra

Limpie la sierra regularmente con un trapo limpio. Los mangos, en concreto, no deben ensuciarse de aceite.

Comprobación del alojamiento de plástico

Realice regularmente inspecciones visuales de todas las piezas del alojamiento. Si cualquier pieza está dañada, haga que se repare inmediatamente y de forma correcta en centros de servicio autorizados de MAKITA.

Afilado de la cadena de la sierra

⚠ PRECAUCIÓN:

- Desenchufe siempre la herramienta de la toma de corriente y póngase guantes de seguridad cuando realice trabajos en la cadena de la sierra.

Afile la cadena de la sierra cuando: (Fig. 31)

- Se produzca polvo de sierra harinoso al cortar madera húmeda.
- La cadena penetre en la madera con dificultad, incluso si se aplica una fuerte presión.
- El borde de corte esté visiblemente dañado.
- La sierra se desplace a la izquierda o la derecha en la madera. El motivo de este comportamiento es que la cadena de la sierra no está afilada de forma uniforme o que sólo está dañada de un lado.

Afile la cadena de la sierra con frecuencia pero extraiga solamente un poco de material cada vez.

Dos o tres golpes de lima suelen ser suficientes para el afilado rutinario de la sierra. Si ha afilado varias veces la cadena de la sierra, llévela a un centro de servicio autorizado de MAKITA para que la afilen.

Criterios de afilado:

- Las longitudes de todas las cortadoras deben ser idénticas. Las cortadoras de distinta longitud evitan que la cadena funcione suavemente y pueden hacer que se rompa.
- No afile la cadena cuando la longitud de la cortadora tenga menos de 3 mm. En tal caso, deberá cambiar la cadena.
- El grosor de las virutas viene determinado por la distancia entre el calibre de profundidad y el borde de corte.
- Para obtener los mejores resultados de corte, debe haber la siguiente distancia entre el borde de corte y el calibre de profundidad.
 - Cuchilla de cadena 90PX: 0,5 mm
 - Cuchilla de cadena 91PX: 0,65 mm (Fig. 32)

⚠ ADVERTENCIA:

- Si la distancia es excesiva, aumenta el riesgo de retroceso.
- El ángulo de 30° de afilado debe ser el mismo en todas las cortadoras. Las diferencias de ángulo provocan que la cadena se mueva con dificultad y de forma no uniforme, que se acelere el desgaste y que se rompa la cadena.
- El ángulo de la placa lateral de la cortadora viene determinado por la profundidad de penetración de la lima redonda. Si se utiliza correctamente la lima especificada, se produce automáticamente el ángulo de la placa lateral correcto.

- El ángulo de la placa lateral de cada cadena de la sierra es el siguiente:

Cuchilla de cadena 90PX: 75°

Cuchilla de cadena 91PX: 80° (Fig. 33)

Lima y guiado de lima

- Para afilar la cadena, utilice una lima redonda especial (accesorio opcional) para cadenas de sierra. Las limas redondas normales no son adecuadas.
- El diámetro de la lima redonda para cada cadena de la sierra es el siguiente:
 - Cuchilla de cadena 90PX: 4,5 mm
 - Cuchilla de cadena 91PX: 4,0 mm
- La lima sólo debe aplicarse a la cortadora en el golpe de avance. Retire la lima de la cortadora en el golpe de retroceso.
- Afíle primero la cortadora de menor longitud. A continuación, la longitud de esta cortadora más corta se convierte en el estándar para todas las otras cortadoras de la cadena de la sierra.
- Guíe la lima como se muestra en la figura. (Fig. 34)
- La lima puede guiarse con mayor facilidad si se utiliza un portalimas (accesorio opcional). El portalimas tiene marcas que indican el ángulo de afilado correcto de 30° (alinee las marcas en paralelo a la cadena de la sierra) y limita la profundidad de penetración (a 4/5 del diámetro de la lima). (Fig. 35)
- Tras afilar la cadena, compruebe la altura del calibre de profundidad con la herramienta para medir el calibre de la cadena (accesorio opcional). (Fig. 36)
- Retire cualquier material que pueda salir proyectado, por pequeño que sea, con una lima plana especial (accesorio opcional).
- Remate nuevamente la parte delantera del calibre de profundidad.

Limpieza de la barra de guía y lubricación de la rueda dentada de retorno

⚠ PRECAUCIÓN:

- Póngase siempre guantes de seguridad para realizar esta tarea. Las rebabas pueden provocar lesiones. Inspeccione regularmente las superficies de funcionamiento de la barra para ver si están dañadas. Limpielas con una herramienta adecuada y retire las rebabas si es necesario. (Fig. 37)
- Si la sierra se utiliza con frecuencia, lubrique el cojinete de la rueda dentada de retorno al menos una vez por semana. Antes de añadir grasa nueva, limpie cuidadosamente el orificio de 2 mm en el extremo de la barra de guía e introduzca una pequeña cantidad de grasa multiuso (accesorio opcional) en el orificio.

Limpieza de la guía de aceite (Fig. 38)

- Limpie regularmente la ranura de la guía de aceite y el orificio de alimentación de aceite en la barra.

Nuevas cadenas de la sierra

Utilice alternativamente dos o tres cadenas de la sierra para que la cadena de la sierra, la rueda dentada y las superficies de funcionamiento se desgasten uniformemente.

Dé la vuelta a la barra cuando cambie la cadena para que las ranuras de la barra se desgasten uniformemente.

PRECAUCIÓN:

- Utilice solamente cadenas y barras aprobadas para este modelo de sierra (consulte "ESPECIFICACIONES").

Antes de instalar una nueva cadena de la sierra, compruebe el estado de la rueda dentada. (Fig. 39)

PRECAUCIÓN:

- Si la rueda dentada está desgastada, podría dañar la nueva cadena de la sierra. En este caso, sustituya la rueda dentada.

Coloque siempre un anillo de retención cuando sustituya la rueda dentada.

Mantenimiento de la cadena y de los frenos de detención

Los sistemas de freno son unas características de seguridad muy importantes. Al igual que cualquier otro componente de la sierra, pueden sufrir un cierto grado de desgaste. Deben inspeccionarse periódicamente en centros de servicio autorizados de MAKITA. Esta medida es para su propia seguridad.

Almacenamiento de la herramienta

El aceite para cadenas de sierra biodegradable sólo puede almacenarse durante un período limitado. Dos años después de su fabricación, los aceites biológicos comienzan a adquirir una calidad adhesiva y provocan daños en la bomba de aceite y en los componentes del sistema de lubricación.

- Cuando no vaya a utilizar la sierra durante un período superior a este plazo, vacíe el depósito de aceite y llénelo con una pequeña cantidad de aceite para motor (SAE 30).
- Ponga en marcha la sierra brevemente para extraer los residuos del aceite biológico del depósito, el sistema de lubricación y el mecanismo de la sierra.

NOTA:

- Tras dejar de utilizar la sierra, se producirán pequeñas fugas de aceite de cadena durante algún tiempo. Esto es normal y no indica ningún fallo.

Almacene la sierra sobre una superficie adecuada.

Antes de volver a utilizar la sierra, llene el depósito con aceite para cadenas de sierra BIOTOP nuevo.

Para conservar la SEGURIDAD y la FIABILIDAD del producto, los trabajos de reparación, la inspección y la sustitución de las escobillas de carbón, así como otros trabajos de mantenimiento y ajuste, deberán ser realizados en centros de servicio autorizados de Makita, utilizando siempre piezas de repuesto de Makita.

SOLUCIÓN DE PROBLEMAS

Antes de solicitar reparaciones, lleve a cabo su propia inspección. Si encuentra un problema que no se explica en el manual, no intente desmontar la herramienta. En su lugar, solicite asistencia a centros de servicio autorizado de Makita.

Estado de la avería	Posible causa	Solución
La sierra no se pone en marcha.	No hay alimentación eléctrica.	Conéctela a una fuente de alimentación. Compruebe la fuente de alimentación.
	Cable defectuoso.	Deje de utilizar la herramienta inmediatamente y solicite asistencia a su centro de servicio autorizado local.
	Avería de la herramienta.	Deje de utilizar la herramienta inmediatamente y solicite asistencia a su centro de servicio autorizado local.
La cadena no gira.	El freno de la cadena está activado.	Suelte el freno de la cadena.
Rendimiento insuficiente.	Escobillas de carbón gastadas.	Solicite a su centro de servicio autorizado local una reparación.
No hay aceite en la cadena.	El depósito de aceite está vacío.	Rellene el depósito de aceite.
	La ranura de guía del aceite está sucia.	Limpie la ranura.
	Tornillo de ajuste de la bomba de aceite ajustado incorrectamente.	Ajuste la velocidad de alimentación de la bomba de aceite.
La cadena no se detiene aunque se active el freno de la cadena.	Banda de freno gastada.	Deje de utilizar la herramienta inmediatamente y solicite asistencia a su centro de servicio autorizado local.
La herramienta vibra de forma anómala.	Afloje la barra de guía o la cadena de la sierra.	Ajuste la barra de guía y la tensión de la cadena de la sierra.
	Avería de la herramienta.	Deje de utilizar la herramienta inmediatamente y solicite asistencia a su centro de servicio autorizado local.

ACCESORIOS OPCIONALES

PRECAUCIÓN:

- Se recomienda el uso de estos accesorios o complementos con la herramienta Makita especificada en este manual. El uso de otros accesorios o complementos puede conllevar el riesgo de ocasionar daños corporales. Utilice los accesorios o complementos solamente para su fin establecido.

Si necesita cualquier ayuda para obtener más información relativa a estos accesorios, pregunte a su centro de servicio Makita local.

- Cadena de la sierra
- Cubierta de la barra de guía
- Barra de guía
- Calibre de cadena
- Lima redonda de 4,0 mm
- Lima redonda de 4,5 mm
- Lima plana
- Portalimas con lima de 4,0 mm
- Portalimas con lima de 4,5 mm
- Mango de lima
- Aceite para la cadena de la sierra
- Grasa multiuso
- Pistola de engrase

NOTA:

- Algunos elementos de la lista se pueden incluir en el paquete de la herramienta como accesorios estándar. Pueden ser diferentes de un país a otro.

Ruido ENG905-1

Niveles típicos de ruido ponderado A determinados conforme a EN60745:

- Nivel de presión de sonido (L_{pA}): 90,3 dB (A)
- Nivel de potencia de sonido (L_{WA}): 101,3 dB (A)
- Incertidumbre (K): 2,5 dB (A)

Utilice protección para los oídos.

Vibración ENG900-1

Valor total de la vibración (suma de vectores triaxiales) determinado según el estándar EN60745:

- Modo de trabajo: corte de madera
- Emisión de vibraciones (a_h): 4,7 m/s²
- Incertidumbre (K): 1,5 m/s²

ENG901-1

- El valor de emisión de vibraciones se ha medido de acuerdo con el método de prueba estándar y se puede utilizar para comparar herramientas.
- El valor de emisión de vibraciones declarado también se puede usar en una evaluación preliminar de la exposición.

ADVERTENCIA:

- La emisión de vibraciones durante el uso de la herramienta eléctrica puede diferir del valor de emisiones declarado, dependiendo de las formas en que se utiliza la herramienta.
- Asegúrese de identificar las mediciones correctas para proteger al operario, que se basan en una estimación de la exposición en condiciones de uso reales (teniendo en cuenta todas las partes del ciclo de operaciones, como los momentos en los que la herramienta está apagada y cuando funciona al ralentí además del tiempo en que está activado el interruptor).

Solo para países europeos

ENH021-8

Declaración de conformidad de la CE

Makita declara que las siguientes máquinas:

Designación de la máquina:

Sierra

Nº de modelo/Tipo: UC3041A, UC3541A, UC4041A

Especificaciones: consulte la tabla

"ESPECIFICACIONES".

Cumplen con las siguientes Directivas europeas:

2000/14/CE, 2006/42/CE

Se han fabricado de acuerdo con los siguientes estándares o documentos estandarizados:

EN60745

El archivo técnico de acuerdo con 2006/42/CE está disponible en:

Makita, Jan-Baptist Vinkstraat 2, 3070, Bélgica

El procedimiento de evaluación de conformidad requerido por la Directiva 2000/14/CE se realizó de acuerdo con el anexo V.

Nivel de potencia sonora medido: 102,2 dB (A)

Nivel de potencia sonora garantizado: 104 dB (A)

26. 4. 2013



Yasushi Fukaya
Director

Makita, Jan-Baptist Vinkstraat 2, 3070, Bélgica

PORTUGUÊS (Instruções de origem)

Descrição geral

- | | | |
|---------------------------------|--|--|
| 1. Travão da corrente aplicado | 17. Retentor da corrente | 31. Bloqueio |
| 2. Travão da corrente libertado | 18. Tampa da barra guia | 32. Desbloqueio |
| 3. Pega traseira | 19. Gancho do cabo | 33. Zona do abate |
| 4. Gatilho | 20. Parafuso de regulação para bomba de óleo (na parte inferior) | 34. Direcção de queda |
| 5. Tampão de enchimento do óleo | 21. Roda dentada | 35. Zona de perigo |
| 6. Pega dianteira | 22. Orifício | 36. Percurso de fuga |
| 7. Protecção dianteira das mãos | 23. Gancho | 37. Comprimento de corte |
| 8. Barra de guia | 24. Pino | 38. Distância entre a extremidade de corte e medidor de profundidade |
| 9. Corrente da serra | 25. Desapertar | 39. Mínimo 3 mm |
| 10. Alavanca | 26. Apertar | 40. Ângulo da chapa lateral |
| 11. Tampa da roda dentada | 27. Cabo da ferramenta | 41. Ranhura do guia de óleo |
| 12. Manípulo de ajuste | 28. Cabo de extensão | 42. Orifício de fornecimento do óleo |
| 13. Protecção traseira das mãos | 29. Ficha e tomada (a forma pode variar consoante o país) | |
| 14. Visor do nível do óleo | 30. Tira | |
| 15. Acessório de espigões | | |
| 16. Botão de bloqueio | | |

ESPECIFICAÇÕES

Modelo		UC3041A		UC3541A		UC4041A	
Velocidade máx. da corrente		14,5 m/s (870 m/min)					
Barra guia padrão	Comprimento da barra	300 mm		350 mm		400 mm	
	Comprimento de corte	265 mm		325 mm		360 mm	
	Tipo de barra guia	Barra de roda dentada					
Corrente de serra padrão	Tipo	90PX	91PX	90PX	91PX	90PX	91PX
	Ângulo de inclinação	3/8"					
	N.º de elos	46		52		56	
Comprimento recomendado da barra guia		300 - 400 mm					
Comprimento total (sem barra de guia)		455 mm					
Peso líquido		4,6 kg		4,7 kg		4,7 kg	
Cabo de extensão (opcional)		DIN 57282/HO 7RN -F L = 30 m máx., 3 x 1,5 mm ²					


- Devido à pesquisa e desenvolvimento constantes, estas especificações estão sujeitas a alteração sem aviso prévio.
- Estas especificações podem diferir de país para país.
- Peso de acordo com procedimento EPTA de 01/2003


Símbolo


END218-7


Descrição dos símbolos utilizados no equipamento.


Certifique-se de que compreende o seu significado, antes da utilização.


 Leia o manual de instruções e siga os avisos e instruções de segurança.


 Utilize protecção para os olhos.


 Use protecção para os ouvidos.


 BLINDAGEM DUPLA


 Precaução: é necessário um cuidado e atenção especiais!

 Precaução: retire imediatamente a ficha da tomada se o cabo estiver danificado!


 Precaução: recuo!


 Proteger contra chuva e humidade!

 Usar um capacete, óculos e protecção para os ouvidos!


 Usar luvas de segurança!


 Retirar a ficha da tomada!


 Primeiros-socorros


 Comprimento máximo de corte admissível

 Direcção da corrente

 Óleo da corrente

 Travão da corrente libertado

 Travão da corrente aplicado

 Proibido!



..... Apenas para países da UE
Não deite equipamentos eléctricos no lixo doméstico!

De acordo com a directiva europeia sobre ferramentas eléctricas e electrónicas usadas e a sua aplicação para as leis nacionais, as ferramentas eléctricas usadas devem ser recolhidas em separado e encaminhadas a uma instalação de reciclagem dos materiais ecológicos.

Utilização destinada ENE085-1

A ferramenta destina-se a cortar madeira e troncos.

Fonte de alimentação ENF002-2

A ferramenta apenas deve ser ligada a uma fonte de alimentação da mesma tensão que a indicada na chapa de especificações, e apenas pode funcionar com uma alimentação CA monofásica. Estão blindadas duplamente e podem, assim, ser igualmente ligadas a tomadas sem fio terra.

Para sistemas de distribuição de baixa tensão pública entre 220 V e 250 V. ENF100-1

As operações de mudança dos aparelhos eléctricos podem provocar variações de tensão. O funcionamento deste aparelho em condições de corrente eléctrica desfavoráveis pode causar efeitos adversos no funcionamento de outros equipamentos. Com uma impedância da corrente eléctrica de 0,29 Ohms, poderá presumir-se que não existam efeitos negativos. A tomada utilizada para este dispositivo deve estar protegida com um fusível ou disjuntor de protecção com características de accionamento baixas.

Avisos gerais de segurança para ferramentas eléctricas GEA010-1

⚠ AVISO Leia todos os avisos de segurança e todas as instruções. O não cumprimento dos avisos e instruções pode resultar na ocorrência de choques eléctricos, incêndios e/ou ferimentos graves.

Guarde todos os avisos e instruções para referência futura.

Avisos de segurança da motosserra GEB037-8

1. **Mantenha o corpo afastado da corrente da serra quando esta se encontra em funcionamento. Antes de ligar a motosserra, certifique-se de que a corrente da serra não está em contacto com nada.** Um momento de distração enquanto utiliza motosserras pode causar um emaranhamento do vestuário ou do corpo com a corrente da serra.
2. **Segure sempre a motosserra com a mão direita na pega traseira e a mão esquerda na pega dianteira.** Segurar a motosserra com uma disposição de mãos diferente aumenta o risco de ferimentos pessoais e nunca deve ser efectuado.
3. **Apenas segure na ferramenta eléctrica pelas superfícies de pega isoladas, uma vez que a serra pode tocar em cabos eléctricos escondidos ou**

com o seu próprio cabo. As correntes de serras que entrem em contacto com um fio eléctrico ligado à corrente podem expor as partes metálicas e causar um choque.

4. **Use óculos de protecção e protecção para os ouvidos. Recomenda-se também o uso de equipamento de protecção para a cabeça, mãos, pernas e pés.** Um vestuário de protecção adequado reduz os ferimentos pessoais devido a detritos projectados ou contacto acidental com a corrente da serra.
5. **Não utilize a motosserra numa árvore.** Utilizar uma motosserra em cima de uma árvore pode resultar em ferimentos pessoais.
6. **Apoie sempre bem os pés e utilize a motosserra apenas quando estiver numa superfície fixa, segura e nivelada.** Superfícies escorregadias ou instáveis, tais como escadas, podem causar uma perda de equilíbrio ou de controlo da motosserra.
7. **Quando cortar um ramo sob tensão, tenha cuidado com o recuo repentino.** Quando a tensão nas fibras da madeira é libertada no ramo puxado, pode atingir o operador e/ou fazer com que a motosserra fique fora de controlo.
8. **Tenha muito cuidado ao cortar mato e árvores novas.** O material fino pode fazer prender na corrente da serra e atingi-lo, fazendo-o perder o equilíbrio.
9. **Transporte a motosserra pela pega dianteira, desligada e afastada do corpo. Quando transportar ou guardar a motosserra, coloque sempre a tampa da barra de guia.** O manuseamento adequado da motosserra irá reduzir a probabilidade de contacto acidental com a corrente da serra em funcionamento.
10. **Siga as instruções para lubrificar, aplicar tensão na corrente da serra e mudar acessórios.** Uma corrente com a tensão errada ou mal lubrificada pode partir ou aumentar as hipóteses de coice.
11. **Mantenha as pegas secas, limpas e sem óleo ou gordura.** Pegas gordurosas e oleosas são escorregadias e causam perda de controlo.
12. **Corte apenas madeira. Não utilize a motosserra em situações para as quais não foi concebida. Por exemplo: não utilize a motosserra para cortar plástico, alvenaria ou materiais de construção que não de madeira.** A utilização da motosserra para operações diferentes das previstas pode resultar numa situação perigosa.
13. **Causas e prevenção do coice por parte do operador:**
O coice pode ocorrer quando a ponta da barra de guia toca num objecto ou quando a madeira aperta e atraca a corrente da serra no corte.
Em alguns casos, o contacto da ponta pode causar uma reacção oposta repentina, recuando a barra de guia para cima e em direcção ao operador.
Apertar a corrente da serra ao longo da parte superior da barra de guia pode causar o recuo rápido da barra de guia em direcção ao operador.
Qualquer uma destas reacções pode causar a perda de controlo da serra, provocando ferimentos pessoais graves. Não confie exclusivamente nos dispositivos de segurança integrados na serra. Como utilizador de uma motosserra, deve tomar várias precauções para

manter os trabalhos de corte livres de ferimentos ou acidentes.

O coice é o resultado da má utilização da ferramenta e/ou procedimentos de funcionamento incorrectos, podendo ser evitado tomando as devidas precauções, tal como indicado em baixo:

- **Mantenha um punho firme, com os polegares e os dedos a envolver as pegas da motosserra, com ambas as mãos na serra, e coloque o corpo e o braço de forma a poder resistir às forças de coice.** As forças de coice podem ser controladas pelo operador, se forem tomadas precauções adequadas. Não largue a motosserra. (Fig. 1)
- **Mantenha as mãos em segurança e não corte acima da altura dos ombros.** Isto ajuda a evitar contacto indesejado com a ponta e permite um controlo melhor da motosserra em situações inesperadas.
- **Utilize apenas barras e correntes de reposição especificadas pelo fabricante.** Barras e correntes de reposição incorrectas podem causar quebra da corrente e/ou coice.
- **Siga as instruções de manutenção e de afiação para a corrente da serra.** Diminuir a altura do medidor de profundidade pode provocar um aumento de coices.

REGRAS DE SEGURANÇA ADICIONAIS

1. Leia o manual de instruções de forma a familiarizar-se com o funcionamento da motosserra.
2. Antes de utilizar a motosserra pela primeira vez, obtenha instruções sobre como utilizá-la. Se isto não for possível, pelo menos pratique cortar uma secção redonda de madeira num cavalete antes de começar a trabalhar.
3. A motosserra não deve ser utilizada por crianças ou jovens com menos de 18 anos. Os jovens com mais de 16 anos podem estar isentos desta restrição se estiverem a receber formação sob a supervisão de um perito.
4. Trabalhar com motosserras requer um elevado nível de concentração. Não trabalhe com a serra se não estiver em forma ou a sentir-se bem. Efectue todos os trabalhos com calma e cuidado.
5. Nunca trabalhe sob a influência do álcool, drogas ou medicamentos.

Utilização adequada

1. A motosserra apenas se destina a cortar madeira. Não a utilize, por exemplo, para cortar plástico ou cimento poroso.
2. Apenas utilize a motosserra para as operações descritas neste manual de instruções. **Não** utilize, por exemplo, para aparar sebes ou fins semelhantes.
3. A motosserra não deve ser utilizada para trabalhos florestais, por exemplo, deitar abaixo ou cortar parcialmente madeira vertical. O cabo da motosserra não fornece ao operador a mobilidade e segurança necessárias para tal trabalho.
4. A motosserra não se destina a uma utilização comercial.

5. Não sobrecarregue a motosserra.

Equipamento de protecção pessoal

1. O vestuário deve ficar justo, mas não impedir a mobilidade.
2. Use vestuário protector durante o trabalho:
 - Um capacete de segurança testado, se existir o perigo de queda de ramos ou semelhante;
 - Uma máscara para a cara ou óculos de protecção;
 - Protecção adequada para os ouvidos (protectores de ouvidos, protectores personalizados ou adaptáveis). Análise do nível sonoro sob pedido.
 - Luvas de segurança robustas de cabedal;
 - Calças compridas em tecido robusto;
 - Gangas protectoras de tecido resistente ao corte;
 - Sapatos ou botas de segurança com solas não derrapantes, biqueiras em aço e forro de tecido resistente ao corte;
 - Uma máscara de respiração, quando efectuar trabalhos que produzam pó (por exemplo, serrar madeira seca).

Protecção contra choques eléctricos



A motosserra não deve ser utilizada em tempo frio ou ambientes húmidos, uma vez que o motor eléctrico não é à prova de água.

1. Apenas ligue a motosserra a tomadas em circuitos eléctricos testados. Verifique se a tensão do sistema corresponde à da chapa de características. Certifique-se de que está instalado um fusível de linha de 16 A. As serras que são utilizadas ao ar livre devem estar ligadas a um disjuntor residual accionado por corrente com uma corrente de funcionamento não superior a 30 mA.



Se o cabo de ligação for danificado, retire imediatamente a ficha da tomada.

Práticas de trabalho seguras

1. Antes de iniciar o trabalho, verifique se a motosserra está a funcionar correctamente e se a respectiva condição está em conformidade com as normas de segurança. Verifique especialmente se:
 - O travão da corrente está a funcionar correctamente;
 - O travão de desaceleração está a funcionar correctamente;
 - A barra e a tampa da roda dentada estão correctamente instaladas;
 - A corrente foi afiada e esticada de acordo com as normas;
 - O cabo de alimentação e ficha não estão danificados;

Consulte a secção "VERIFICAÇÕES".

2. Certifique-se sempre de que o cabo de extensão utilizado possui uma secção transversal adequada (consulte "ESPECIFICAÇÕES"). Quando utilizar uma bobina de cabo, retire todo o cabo da bobina. Quando utilizar a serra ao ar livre, certifique-se de que o cabo utilizado se destina a utilização ao ar livre e possui uma capacidade nominal adequada.
3. Mantenha o cabo afastado da área de corte e posicione-o de forma a que não seja apanhado por ramos, e semelhantes, durante o corte.

4. Não utilize a motosserra perto de pó ou gases inflamáveis, uma vez que o motor gera faíscas e representa um **risco de explosão**.
 5. Trabalhe apenas em solo firme e com um bom apoio. Tome especial atenção aos obstáculos (por exemplo, o cabo) na zona de trabalho. Tome especial cuidado nas situações em que a humidade, gelo, neve, madeira recentemente cortada ou cascas possam tornar as superfícies escorregadias. Não fique de pé em escadas ou árvores quando utilizar a serra.
 6. Tome especial cuidado quando trabalhar num solo inclinado; os troncos e ramos em movimento constituem um potencial perigo.
 7. Nunca corte acima da altura dos ombros.
 8. **Segure na motosserra com ambas as mãos quando a ligar e utilizar.** Segure na pega traseira com a mão direita e a pega dianteira com a esquerda. Segure bem nas pegas com os polegares. A barra e a corrente não devem estar em contacto com quaisquer objectos quando a serra estiver ligada. **(Fig. 1)**
 9. Retire quaisquer objectos estranhos da área a cortar, tais como areia, pedras, pregos, fios, etc. Os objectos estranhos danificam a barra e a corrente e podem provocar recuos perigosos.
 10. Tome especial cuidado quando cortar na proximidade de vedações. Não corte a vedação, uma vez que a serra pode recuar abruptamente.
 11. Não corte para dentro do solo.
 12. Corte peças de madeira individuais, não em conjuntos ou pilhas.
 13. Evite usar a serra para cortar ramos e raízes finos, uma vez que estes podem ficar emaranhados na motosserra. A perda de equilíbrio representa um perigo.
 14. Utilize um suporte seguro (cavalete) quando cortar madeira serrada.
 15. Não utilize a motosserra para retirar ou afastar pedaços de madeira e outros objectos.
 16. Guie a motosserra de forma a que nenhuma parte do seu corpo esteja dentro do percurso da corrente da serra (consulte a figura). **(Fig. 2)**
 17. Quando se deslocar entre operações de serragem, aplique o travão da corrente de forma a evitar que a corrente seja utilizada inadvertidamente. Segure a motosserra pela pega dianteira quando a transportar e não mantenha o dedo no interruptor.
 18. Retire a ficha quando fizer pausas ou deixar a motosserra sem supervisão. Deixe a motosserra num local onde não represente um perigo.
- Afie sempre correctamente a corrente. Em particular, defina o medidor de profundidade para a altura correcta.
 - Nunca serre vários ramos ao mesmo tempo.
 - Quando cortar ramos, tome cuidado para evitar que a barra entre em contacto com outros ramos.
 - Quando cortar troncos, mantenha-se afastado de troncos adjacentes. Esteja sempre atento à ponta da barra.
 - Utilize um cavalete.

Funções de segurança

1. Verifique sempre se as funções de segurança estão a funcionar antes de iniciar o trabalho. Não utilize a motosserra se as funções de segurança não estiverem a funcionar correctamente.
 - **Travão da corrente:**
A motosserra possui um travão de corrente que pára a corrente da serra numa fracção de segundo. É activada quando a protecção das mãos é empurrada para a frente. A corrente da serra pára dentro de 0,15 s e a alimentação de corrente para o motor é interrompida. **(Fig. 4)**
 - **Travão de desaceleração:**
A motosserra está equipada com um travão de desaceleração que pára imediatamente a corrente da serra quando o botão Ligar/Desligar é libertado. Isto evita que a corrente da serra continue a trabalhar quando é desligada, representando assim um perigo.
 - **As protecções dianteiras e traseiras das mãos** protegem o utilizador contra ferimentos devido a peças de madeira que podem ressaltar ou uma corrente da serra quebrada.
 - O **bloqueio do gatilho** evita que a motosserra seja acidentalmente ligada.
 - O **dispositivo retentor da corrente** protege o utilizador contra ferimentos se a corrente saltar ou quebrar.

Transporte e armazenamento



Quando a motosserra não está a ser utilizada ou está a ser transportada, retire a ficha da tomada e coloque a tampa da barra guia fornecida com a serra. Nunca transporte a serra com a corrente da serra em funcionamento.

1. Apenas transporte a motosserra pela pega dianteira, com a barra a apontar para trás.
2. Mantenha a motosserra num local seguro, seco e trancado, fora do alcance das crianças. Não guarde a motosserra ao ar livre.

Manutenção

1. Retire a ficha da tomada antes de efectuar quaisquer regulações ou manutenção.
2. Verifique regularmente a existência de danos na blindagem do cabo de alimentação.
3. Limpe regularmente a motosserra.
4. Mandar reparar imediatamente e correctamente quaisquer estragos no revestimento plástico.
5. Não utilize a serra se o gatilho não estiver a funcionar correctamente. Mandar-o reparar correctamente.
6. Em nenhuma circunstância devem ser feitas quaisquer modificações à motosserra. A sua segurança está em causa.

Recuo

1. Podem ocorrer recuos perigosos durante o trabalho com a motosserra. O recuo deve-se à ponta da barra (especialmente na secção superior) entrar em contacto com madeira ou outro objecto sólido. Isto faz com que a motosserra seja deflectida na direcção do operador. **(Fig. 3)**
2. De forma a evitar recuo, observe o seguinte:
 - Nunca inicie o corte com a ponta da barra.
 - Nunca utilize a ponta da barra para cortar. Tome especial cuidado quando continuar cortes que já tenham sido iniciados.
 - Inicie o corte com a corrente a funcionar.

7. Não efectue qualquer trabalho de manutenção ou reparação além do descrito neste manual de instruções. Qualquer outro procedimento deve ser efectuado pelos centros de assistência autorizados.
8. Apenas utilize peças e acessórios genuínos que se destinem ao seu modelo de serra. A utilização de outras peças aumenta o risco de acidente.
9. Não aceitamos qualquer responsabilidade por acidentes ou danos caso sejam utilizadas barras, correntes de serras ou outros acessórios ou peças não aprovados.

Primeiros-socorros



Não trabalhe sozinho. Trabalhe sempre a uma distância que permita ser ouvido por outra pessoa.

1. Mantenha sempre uma caixa de primeiros-socorros à mão. Substitua imediatamente quaisquer itens que retire do seu interior.
2. Se necessitar de assistência em caso de acidente, indique o seguinte:
 - Onde ocorreu o acidente?
 - O que aconteceu?
 - Quantas pessoas estão feridas?
 - Quais são os ferimentos que apresentam?
 - Quem está a comunicar o acidente?

NOTA:

As pessoas com má circulação que sejam expostas a vibrações excessivas podem sofrer ferimentos nos vasos sanguíneos ou no sistema nervoso.

As vibrações podem causar os seguintes sintomas nos dedos, mãos ou pulsos: "Adormecimento" (falta de sensação), formigamento, dor, sensação de picadas, alteração da cor da pele ou da própria pele.

Se ocorrer qualquer um destes sintomas, consulte um médico!

GUARDE ESTAS INSTRUÇÕES.



AVISO:

NÃO deixe que o conforto ou familiaridade com o produto (obtida de uma utilização regular) substituam um cumprimento severo das regras de segurança do produto em causa. Uma UTILIZAÇÃO INCORRECTA ou não cumprimento das regras de segurança indicadas neste manual de instruções podem provocar ferimentos pessoais sérios.

DESIGNAÇÃO DAS PEÇAS (Fig. 5)

MONTAGEM



PRECAUÇÃO:

- Certifique-se sempre de que a ferramenta está desligada no interruptor e da tomada antes de efectuar qualquer trabalho na mesma.

Remover ou instalar a corrente da serra



PRECAUÇÃO:

- Use sempre luvas ao instalar ou remover a corrente da serra.

Para remover a corrente da serra, efectue os passos seguintes:

1. Prima e abra por completo a alavanca até parar. (Fig. 6)
2. Rode a alavanca no sentido contrário aos ponteiros do relógio para desapertar a tampa da roda dentada até sair.
3. Rode o manípulo de ajuste na direcção "-" para libertar a tensão da corrente da serra. (Fig. 7)
4. Retire a tampa da roda dentada.
5. Retire a corrente da serra e a barra guia da motosserra.

Para instalar a corrente da serra, efectue os passos seguintes:

6. Verifique o sentido da corrente. A marca de seta na corrente mostra o sentido da corrente. (Fig. 8)
7. Instale uma extremidade da corrente da serra no topo da barra guia e a outra extremidade à volta da roda dentada.
8. Coloque a barra guia na motosserra.
9. Alinhe o regulador de tensão com o orifício da barra guia. (Fig. 9)
10. Segurando a barra guia, rode o manípulo de ajuste na direcção "+" para ajustar a tensão da corrente da serra.
11. Coloque a tampa da roda dentada de modo a que os ganchos encaixem ao longo dos orifícios e o pino encaixe na respectiva parte na tampa da roda dentada. (Fig. 10)
12. Rode a alavanca no sentido dos ponteiros do relógio para fixar a tampa da roda dentada. (Fig. 11)
13. Pressione e volte a colocar a alavanca na posição inicial.

Ajustar a tensão da corrente da serra

A corrente da serra pode ficar solta após muitas horas de utilização. Verifique periodicamente a tensão da corrente da serra, antes de utilizar.

1. Prima e abra por completo a alavanca até ouvir um estalido. Rode um pouco no sentido contrário aos ponteiros do relógio para desapertar ligeiramente a tampa da roda dentada. (Fig. 6)
2. Levante ligeiramente a ponta da barra de guia. (Fig. 12)
3. Rode o manípulo de ajuste para regular a tensão da corrente da serra. Aperte a corrente da serra até o lado inferior da corrente da serra encaixar na calha da barra de guia (ver círculo).
4. Continue a segurar a barra de guia, aperte a tampa da roda dentada após ajustar a tensão da corrente. Certifique-se de que a corrente da serra não está solta no lado inferior.
5. Pressione e volte a colocar a alavanca na posição inicial. (Fig. 13)

Certifique-se de que a corrente da serra encaixa bem no lado inferior da barra.

PRECAUÇÃO:

- Não aperte demasiadamente a corrente da serra. Uma tensão demasiado excessiva da corrente pode provocar a sua quebra, desgaste da barra guia e quebra do manípulo de ajuste.
- Uma corrente com demasiada folga pode saltar da barra e representar um risco de acidente.

- Efectue o procedimento de instalação ou remoção da corrente da serra num local limpo sem serrim e materiais semelhantes.

Engatar o cabo de extensão

PRECAUÇÃO:

- Certifique-se de que o cabo da extensão está desligado da corrente. (Fig. 14)

Ao engatar o cabo de extensão, prenda-o ao cabo da motosserra com o gancho do cabo.

Prenda o gancho do cabo a cerca de 100 – 200 mm do conector do cabo de extensão. Isto ajuda a evitar a desactivação não intencional.

FUNCIONAMENTO

O gatilho/interruptor (Fig. 15)

PRECAUÇÃO:

- Certifique-se sempre de que a ferramenta está desligada e com o cabo desligado antes de verificar o funcionamento do gatilho.
- Antes de inserir a ficha da ferramenta na tomada, verifique se o gatilho está a funcionar correctamente e se volta à posição "OFF" quando o solta.

NOTA:

- Não ligue e desligue com demasiada frequência num curto período (cinco segundos ou menos). A temperatura no interior da ferramenta aumentará e provocará danos na ferramenta. O tempo varia consoante a temperatura ambiente e outras condições. (Fig. 16)

Para evitar que o gatilho seja acidentalmente puxado, é fornecido botão de bloqueio.

Para iniciar a ferramenta, pressione o botão de bloqueio e puxe o gatilho. Para parar a ferramenta, solte o gatilho.

Lubrificação

PRECAUÇÃO:

- Certifique-se sempre de que a ferramenta está desligada e com a ficha desligada da tomada antes de lubrificar a corrente.

Lubrifique a corrente e a barra utilizando um lubrificante para correntes biodegradável, com um agente adesivo. O agente adesivo no lubrificante para correntes evita que o óleo saia demasiadamente rápido da corrente. Não devem ser utilizados óleos minerais, uma vez que são nocivos ao ambiente. (Fig. 17)

PRECAUÇÃO:

- Evite que o óleo entre em contacto com a pele e os olhos. O contacto com os olhos causa irritações. Em caso de contacto com os olhos, lave imediatamente o olho afectado com água limpa e consulte imediatamente um médico.
- Nunca utilize óleo residual. O óleo residual contém substâncias cancerígenas. Os contaminantes no óleo residual provocam um desgaste acelerado da bomba de óleo, da barra e da corrente. O óleo residual é nocivo ao ambiente.
- Quando encher a motosserra com óleo para correntes pela primeira vez, ou abastecer o depósito após este estar completamente vazio, ateste de óleo até à

extremidade inferior do gargalo de enchimento. O fornecimento de óleo pode por vezes estar obstruído.

Para abastecer o óleo, efectue os passos seguintes:

(Fig. 18)

1. Limpe bem a zona em volta do tampão de enchimento do óleo, para evitar que entre sujidade no depósito de óleo.
2. Desaperte o tampão do enchimento de óleo e acrescente óleo até à extremidade inferior do gargalo de enchimento.
3. Aperte bem o tampão de enchimento do óleo.
4. Limpe cuidadosamente qualquer resíduo de óleo para correntes entornado.

NOTA:

- Quando a motosserra for utilizada pela primeira vez, poderá demorar até dois minutos até que o óleo da corrente inicie o seu efeito de lubrificação no mecanismo da serra. Coloque a serra a funcionar sem carga até que o efeito de lubrificação tenha início (consulte "VERIFICAÇÕES").

VERIFICAÇÕES

Antes de iniciar o trabalho, efectue as seguintes verificações:

Verificar a tensão da corrente

AVISO:

- Retire sempre a ficha da tomada antes de verificar a tensão da corrente e use luvas de segurança.

Certifique-se de que a corrente da serra encaixa bem no lado inferior da barra (ver círculo). (Fig. 12)

Verifique frequentemente a tensão da corrente, uma vez que as correntes novas estão sujeitas a alongamento.

Uma tensão demasiado excessiva da corrente pode provocar a sua quebra, desgaste da barra guia e quebra do manípulo de ajuste.

Uma corrente com demasiada folga pode saltar da barra e representar um risco de acidente.

Se a corrente estiver com demasiada folga: Consulte a secção intitulada "Ajustar a tensão da corrente da serra" e ajuste novamente a tensão da corrente.

Verificar a acção do interruptor

PRECAUÇÃO:

Antes de inserir a ficha da ferramenta na tomada, verifique se o gatilho está a funcionar correctamente e se volta à posição "OFF" quando o solta.

Para evitar que o gatilho seja acidentalmente puxado, é fornecido botão de bloqueio.

Para iniciar a ferramenta, pressione o botão de bloqueio e puxe o gatilho. Para parar a ferramenta, solte o gatilho.

Não puxe com força o gatilho sem pressionar o botão de bloqueio. Isto poderá quebrar o interruptor.

Verificar o travão da corrente

NOTA:

- Se a motosserra não arrancar, verifique se o travão da corrente está solto. Para soltar o travão da corrente, puxe firmemente a protecção da mão para trás até sentir o encaixe. (Fig. 19 e 20)

Verifique o travão da corrente da seguinte forma:

1. Segure na motosserra com ambas as mãos quando a ligar. Segure na pega traseira com a mão direita e a pega dianteira com a esquerda. Certifique-se de que a barra e a corrente não entram em contacto com qualquer objecto.
2. Prima primeiro o botão de bloqueio e, de seguida, o gatilho. A corrente da serra começa imediatamente a funcionar.
3. Pressione a protecção dianteira das mãos para a frente, utilizando a parte posterior da mão. Certifique-se de que a corrente da serra pára imediatamente.

⚠️ PRECAUÇÃO:

- Se a corrente da serra não parar imediatamente, não utilize, de modo algum, a serra. Consulte os centros de assistência autorizados da Makita.

Verificar o travão de desaceleração

Ligue a motosserra.

Liberte totalmente o gatilho. Certifique-se de que a corrente da serra pára no espaço de um segundo.

⚠️ PRECAUÇÃO:

- Se a corrente da serra não parar imediatamente, não utilize, de modo algum, a serra. Consulte os centros de assistência autorizados da Makita.

Verificar o lubrificador da corrente

Antes de começar a trabalhar, verifique o nível de óleo no depósito e o fornecimento de óleo.

O nível do óleo pode ser visto no visor do nível do óleo, tal como indicado na ilustração. (Fig. 21)

Verifique o fornecimento de óleo da seguinte forma:

Ligue a motosserra.

Com a serra a trabalhar, segure a corrente da serra aproximadamente 15 cm acima do tronco de uma árvore ou do solo. Se a lubrificação for adequada, a pulverização de óleo produzirá uma leve camada de óleo. Observe a direcção do vento e não se exponha desnecessariamente à pulverização do óleo.

⚠️ PRECAUÇÃO:

- Se não se formar uma película de óleo, não utilize a serra. Caso contrário, a longevidade da corrente será reduzida. Verifique o nível do óleo. Limpe a ranhura de fornecimento de óleo e o orifício de fornecimento do óleo na barra (consulte "MANUTENÇÃO").

Regular a lubrificação da corrente (Fig. 22)

Pode regular a velocidade de alimentação da bomba de óleo com o parafuso de regulação.

⚠️ PRECAUÇÃO:

- Utilize sempre a pega dianteira e a pega traseira e segure firmemente a ferramenta através de ambas as pegas enquanto trabalha.
- Fixe sempre a madeira a cortar, caso contrário, os fragmentos de corte podem causar ferimentos pessoais.

TRABALHAR COM A MOTOSSERRA

Cortar troncos (Fig. 23)

Para cortar troncos, coloque o acessório de espigões, mostrado na ilustração, na madeira a cortar.

Com a corrente da serra a funcionar, serre a madeira, utilizando a pega traseira para elevar a serra e a pega dianteira para a guiar. Utilize um acessório de espigões como suporte.

Continue o corte aplicando uma ligeira pressão à pega dianteira, empurrando ligeiramente a serra. Mova o acessório de espigões mais para baixo na madeira e levante novamente a pega dianteira.

Quando efectuar vários cortes, desligue a motosserra entre cortes.

⚠️ PRECAUÇÃO:

- Se a extremidade superior da barra for utilizada para cortar, a motosserra deve ser deflectida na sua direcção se a corrente ficar encravada. Por esta razão, corte com a extremidade inferior, de forma a que a motosserra seja deflectida para longe do seu corpo. (Fig. 24)

Corte primeiro a madeira sob tensão no lado de pressão (A). De seguida, faça o corte final no lado da tensão (B). Isto evita que a barra fique encravada. (Fig. 25)

Cortar ramos

⚠️ PRECAUÇÃO:

- Cortar ramos apenas deve ser efectuado por pessoas com formação adequada. Existe o perigo de recuo. Quando cortar ramos, suporte a motosserra no tronco, se possível. Não corte com a ponta da barra, uma vez que isto apresenta o risco de recuo. Tome especial atenção aos ramos sob tensão. Não corte ramos não suportados a partir de baixo. Não fique em cima de um tronco cortado quando cortar ramos.

Cortes transversais e paralelos ao grão

⚠️ PRECAUÇÃO:

- Os cortes transversais e paralelos ao grão apenas deve ser efectuados por pessoas com formação especial. A possibilidade de recuo representa um perigo de ferimentos.

Efectue os cortes paralelos ao grão a um ângulo mais baixo possível. Efectue o corte o mais cuidadosamente possível, uma vez que o acessório de espigões não pode ser utilizado. (Fig. 26)

Abate de árvores

⚠️ PRECAUÇÃO:

- O abate de árvores apenas deve ser efectuado por pessoas com formação adequada. O trabalho é perigoso.

Obedeça às normas locais se pretender abater uma árvore. (Fig. 27)

– Antes de iniciar o abate, certifique-se de que:

- (1) Apenas estão por perto pessoas directamente envolvidas na operação de abate;

- (2) Qualquer pessoa envolvida possui um caminho de retirada sem obstáculos num ângulo de cerca de 45° em relação a qualquer eixo do abate.
Considere o risco adicional de tropeçar em cabos eléctricos;
- (3) A base do tronco está livre de objectos estranhos, raízes e ramos;
- (4) Não existem pessoas ou objectos presentes a uma distância de 2 1/2 comprimentos de árvore na direcção em que a árvore irá cair.
- Considere o seguinte em relação a cada árvore:
 - Direcção da inclinação;
 - Ramos secos ou soltos;
 - Altura da árvore;
 - Inclinação natural;
 - Se a árvore está ou não podre.
- Considere a velocidade e direcção do vento. Não efectue o trabalho de abate se o vento estiver com fortes rajadas.
- Corte de raízes inchadas: Comece com os inchaços maiores. Efectue primeiro o corte vertical e, de seguida, o corte horizontal.
- Cortar um traço de abate: O traço de abate determina a direcção em que a árvore irá cair, e guia-a. É efectuado de lado, na direcção em que a árvore vai cair. Corte o traço de abate o mais perto do solo possível. Faça primeiro o corte horizontal a uma profundidade de 1/5 -1/3 do diâmetro do tronco. Não faça o traço de abate demasiado largo. De seguida, faça o corte diagonal. (Fig. 28)
- Corte quaisquer correcções no traço de abate ao longo de todo o respectivo comprimento.
- Efectue o corte tangencial um pouco mais alto do que o corte base do traço de abate. O corte tangencial deve ser exactamente na horizontal. Deixe cerca de 1/10 do diâmetro do tronco entre o corte tangencial e o traço de abate.
As fibras da madeira na parte não cortada do tronco funcionam como uma dobradiça. Não corte directamente através das fibras em nenhuma circunstância, caso contrário a árvore cairá sem ser verificada. Introduza atempadamente calços no corte posterior. (Fig. 29)
- Apenas devem ser utilizados calços de plástico ou alumínio para manter o corte aberto. A utilização de calços de ferro é proibida.
- Fique ao lado da árvore a cair. Mantenha uma área livre na zona traseira da árvore a cair até um ângulo de 45° em ambos os lados do eixo da árvore (consulte a ilustração “zona do abate”). Tome atenção aos ramos em queda.
- Deve ser planeado e criado um percurso de fuga antes de iniciar o corte. O percurso de fuga deve dirigir-se para trás e na diagonal da linha de queda prevista, tal como ilustrado na figura. (Fig. 30)

MANUTENÇÃO

PRECAUÇÃO:

- Certifique-se sempre de que a ferramenta está desligada no interruptor e da tomada antes de inspeccionar ou fazer a manutenção da ferramenta.
- Use sempre luvas quando efectuar qualquer inspecção ou manutenção.

- Nunca utilize gasolina, benzina, diluente, álcool ou semelhante. Podem formar-se descolorações, deformações ou fissuras.

Efectue periodicamente os trabalhos de manutenção descritos em baixo. As reclamações de garantia apenas serão aceites se estas operações forem efectuadas regular e adequadamente.

Apenas podem ser efectuados pelo utilizador os trabalhos de manutenção descritos neste manual de instruções. Qualquer outro procedimento deve ser efectuado pelos centros de assistência autorizados da MAKITA.

Limpar a motosserra

Limpe regularmente a serra com um pano limpo. As pegas, em especial, devem ser mantidas livres de óleo.

Verificar o corpo de plástico

Efectue inspecções visuais regulares em todas as partes do corpo da motosserra. Se alguma peça estiver danificada, solicite uma reparação imediata e adequada nos centros de assistência autorizados da MAKITA.

Afiar a corrente da serra

PRECAUÇÃO:

- Retire sempre a ficha da tomada e use luvas de segurança quando trabalhar na corrente.

Afie a corrente da serra quando: (Fig. 31)

- É produzido serrim afinhado quando é cortada madeira húmida;
- A corrente penetra na madeira com dificuldade, mesmo quando é aplicada bastante pressão;
- A extremidade de corte está obviamente danificada;
- A serra puxa para a esquerda ou direita da madeira. A razão para este comportamento é uma afiação desigual da corrente, ou danos em apenas um lado.

Afie com frequência a corrente da serra, mas remova pouco material de cada vez.

Duas ou três passagens com uma lima são normalmente suficientes para as afiações de rotina. Quando a corrente da serra tiver sido afiada várias vezes, mande-a afiar num centro de assistência autorizado da MAKITA.

Críticos de afiação:

- Os comprimentos dos cortadores têm de ser iguais. Os cortadores com comprimentos diferentes evitam que a corrente funcione com suavidade e poderá fazer quebrar a corrente.
- Não afie a corrente quando o comprimento mínimo de 3 mm do cortador tiver sido alcançado. Deve ser instalada uma nova corrente.
- A espessura de corte é determinada pela distância entre o medidor de profundidade (ponta redonda) e a extremidade de corte.
- Os melhores resultados de corte são obtidos com a seguinte distância entre a extremidade de corte e o medidor de profundidade.

Lâmina da corrente 90PX: 0,5 mm

Lâmina da corrente 91PX: 0,65 mm (Fig. 32)

AVISO:

- Uma distância excessiva aumenta o risco de recuo.
- O ângulo de afiação de 30° deve ser o mesmo em todos os cortadores. As diferenças em ângulo fazem

com que a corrente funcione de forma irregular, aumenta o desgaste e pode fazer quebrar a corrente.

- O ângulo da chapa lateral do cortador é determinado pela profundidade da penetração da lima redonda. Se a lima especificada for utilizada correctamente, o ângulo da chapa lateral correcto é produzido automaticamente.
- O ângulo da chapa lateral para cada corrente de serra é o seguinte:
 - Lâmina da corrente 90PX: 75°
 - Lâmina da corrente 91PX: 80° (Fig. 33)

Lima e utilização da lima

- Utilize uma lima especial redonda (acessório opcional) para correntes de serra, para afiar a corrente. As limas redondas normais não são adequadas.
- O diâmetro da lima redonda para cada corrente de serra é o seguinte:
 - Lâmina da corrente 90PX: 4,5 mm
 - Lâmina da corrente 91PX: 4,0 mm
- A lima apenas deve entrar em contacto com o cortador na passagem para a frente. Levante a lima do cortador na passagem de regresso.
- Afie primeiro o cortador mais curto. De seguida, o comprimento deste cortador mais pequeno passa a ser a referência para todos os cortadores na corrente da serra.
- Guie a lima tal como indicado na ilustração. (Fig. 34)
- A lima pode ser guiada mais facilmente se for utilizada um suporte para limas (acessório opcional). O suporte para limas possui marcas para a afiação correcta a um ângulo de 30° (alinhe as marcas em paralelo com a corrente) e limita a profundidade de penetração (até 4/5 do diâmetro da lima). (Fig. 35)
- Após afiar a corrente, verifique a altura do medidor de profundidade utilizando o medidor da corrente (acessório opcional). (Fig. 36)
- Retire qualquer material de projecção, mesmo que pequeno, com uma lima especial plana (acessório opcional).
- Arredonde novamente a parte dianteira do medidor de profundidade.

Limpar a barra guia e lubrificar a roda dentada de retorno

⚠ PRECAUÇÃO:

- Use sempre luvas de segurança para esta tarefa. As limalhas representam um risco de ferimento.
- Verifique regularmente a existência de danos nas superfícies corrediças da barra. Limpe utilizando uma ferramenta adequada e remova as limalhas, se necessário. (Fig. 37)
- Se a motosserra for utilizada com frequência, lubrifique o rolamento do da roda dentada de retorno pelo menos uma vez por semana. Antes de adicionar nova massa lubrificante, limpe cuidadosamente o orifício de 2 mm na ponta da barra guia e force uma pequena quantidade de massa lubrificante multifunções (acessório opcional) para dentro do orifício.

Limpar o guia de óleo (Fig. 38)

- Limpe regularmente a ranhura guia de óleo e o orifício de fornecimento do óleo na barra.

Novas correntes de serra

Utilize duas ou três correntes de forma alternada, de forma a que a corrente, roda dentada e superfícies corrediças da barra sejam desgastadas uniformemente. Rode a barra quando mudar a corrente, de forma a ranhura da barra se desgaste uniformemente.

⚠ PRECAUÇÃO:

- Utilize apenas correntes e barras que são aprovadas para este modelo de serra (consulte "ESPECIFICAÇÕES").

Antes de instalar uma nova corrente, verifique o estado da roda dentada. (Fig. 39)

⚠ PRECAUÇÃO:

- Uma roda dentada desgastada danifica uma corrente nova. Neste caso, mande substituir a roda dentada. Instale sempre uma nova anilha de bloqueio quando substituir a roda dentada.

Efectuar a manutenção da corrente e travões de desaceleração

Os sistemas de travagem representam funcionalidades de segurança muito importantes. Tal como qualquer outro componente da motosserra, estão sujeitos a um determinado grau de desgaste. Têm que ser inspeccionados regularmente pelos centros de assistência autorizados da MAKITA. Esta medida é para sua segurança.

Guardar a ferramenta

O óleo biodegradável da corrente da serra apenas pode ser guardado durante um período limitado. Após dois anos da data de fabrico, os óleos biodegradáveis começam a adquirir uma qualidade adesiva e danificam a bomba de óleo e os componentes no sistema de lubrificação.

- Antes retirar a motosserra fora de serviço durante um período mais prolongado, esvazie o depósito de óleo e encha-o com uma pequena quantidade de óleo do motor (SAE 30).
- Coloque a motosserra a funcionar brevemente para esvaziar todos os resíduos de óleo biológico do depósito, sistema de lubrificação e mecanismo de serra.

NOTA:

- Quando a motosserra é retirada de serviço, ocorrem pequenas fugas de óleo da corrente durante algum tempo. Isto é normal e não constitui uma avaria.

Guarde a motosserra numa superfície adequada.

Antes voltar a colocar a motosserra em serviço, abasteça com óleo para correntes BIOTOP novo.

Para manter os níveis de SEGURANÇA e FIABILIDADE, as reparações, inspecção e substituição das escovas de carvão e outras operações de manutenção ou ajuste devem ser executadas por centros de assistência Makita autorizados e, no caso de substituição de peças, estas devem ser igualmente peças originais Makita.

RESOLUÇÃO DE PROBLEMAS

Antes de pedir reparações, efectue primeiro a sua própria inspecção. Se encontrar um problema que não é explicado no manual, não tente desmontar a ferramenta. Em vez disso, consulte os centros de assistência autorizados da Makita.

Estado da avaria	Causa possível	Solução
A motosserra não liga.	Sem fonte de alimentação.	Ligue à fonte de alimentação. Verifique a fonte de alimentação.
	Cabo com defeito.	Pare imediatamente de utilizar a ferramenta e dirija-se ao centro de assistência autorizado local.
	Funcionamento irregular da ferramenta.	Pare imediatamente de utilizar a ferramenta e dirija-se ao centro de assistência autorizado local.
A corrente não funciona.	O travão da corrente está accionado.	Solte o travão da corrente.
Desempenho insuficiente.	Escova de carvão gasta.	Consulte o seu centro de assistência autorizado local para reparação.
Sem óleo na corrente.	O depósito de óleo está vazio.	Abasteça o depósito de óleo.
	Ranhura de guia de óleo suja.	Limpe a ranhura.
	Parafuso de regulação da bomba de óleo regulado incorrectamente.	Regule a velocidade de alimentação da bomba de óleo.
A corrente não pára mesmo que o travão da corrente esteja accionado.	Banda do travão gasta.	Pare imediatamente de utilizar a ferramenta e dirija-se ao centro de assistência autorizado local.
A ferramenta vibra de forma anómala.	Barra guia ou corrente da serra solta.	Ajuste a tensão da barra guia e da corrente da serra.
	Funcionamento irregular da ferramenta.	Pare imediatamente de utilizar a ferramenta e dirija-se ao centro de assistência autorizado local.

014314

ACESSÓRIOS OPCIONAIS

PRECAUÇÃO:

- Os seguintes acessórios ou extensões são os recomendados para utilizar com a ferramenta Makita especificada neste manual. A utilização de quaisquer outros acessórios poderá representar um risco de ferimento para as pessoas. Apenas utilize o acessório para o fim indicado.

Se precisar de informações adicionais relativas aos acessórios, contacte o centro local de assistência Makita.

- Corrente da serra
- Tampa da barra guia
- Barra de guia
- Medidor da corrente
- Lima redonda de 4,0 mm
- Lima redonda de 4,5 mm
- Lima plana
- Suporte para limas com lima de 4,0 mm
- Suporte para limas com lima de 4,5 mm
- Pega da lima
- Óleo da corrente da serra
- Massa lubrificante multifunções
- Pistola de lubrificar

NOTA:

- Alguns itens na lista podem estar incluídos no pacote de ferramentas como acessórios de série. Podem diferir de país para país.

Ruído

ENG905-1

O nível de ruído ponderado A típico determinado, de acordo com EN60745:

Nível de pressão sonora (L_{pA}): 90,3 dB (A)

Nível de potência sonora (L_{WA}): 101,3 dB (A)

Incerteza (K): 2,5 dB (A)

Use protecção ocular.

Vibração

ENG900-1

O valor total de vibração (soma vector triaxial) determinado, de acordo com EN60745:

Modo de trabalho: cortar madeira

Emissão de vibrações (a_n): 4,7 m/s²

Incerteza (K): 1,5 m/s²

ENG901-1

- O valor da emissão de vibração declarado foi medido de acordo com o método de teste padrão e pode ser utilizado para comparar uma ferramenta com outra.
- O valor da emissão de vibração declarado pode também ser utilizado numa avaliação preliminar de exposição.

AVISO:

- A emissão de vibração durante a utilização real da ferramenta eléctrica pode ser diferente do valor de emissão declarado, dependendo da forma como a ferramenta é utilizada.
- Certifique-se de que identifica medidas de segurança, para proteger o operador, que são baseadas numa estimativa de exposição nas condições reais de

utilização (tendo em conta todas as partes do ciclo de funcionamento, como as vezes que a ferramenta é desligada e quando está a trabalhar ao ralenti, além do tempo de utilização).

Apenas para países europeus

ENH021-8

Declaração de conformidade CE

A Makita declara que as máquinas:

Designação da máquina:

Motosserra

Nº/Tipo de modelo: UC3041A, UC3541A, UC4041A

Especificações: consulte a tabela

"ESPECIFICAÇÕES".

Estão em conformidade com as directivas europeias seguintes:

2000/14/EC, 2006/42/EC

São fabricadas de acordo com as normas e documentos padronizados seguintes:

EN60745

O ficheiro técnico em conformidade com a norma 2006/42/EC está disponível a partir de:

Makita, Jan-Baptist Vinkstraat 2, 3070, Bélgica

O procedimento de avaliação da conformidade requisitado pela Directiva 2000/14/EC estava em conformidade com o anexo V.

Nível de potência sonora medida: 102,2 dB (A)

Nível de potência sonora garantida: 104 dB (A)

26. 4. 2013



Yasushi Fukaya

Director

Makita, Jan-Baptist Vinkstraat 2, 3070, Bélgica

DANSK (Originalvejledning)

Forklaring til generel oversigt

- | | | |
|-----------------------------|---|--|
| 1. Kædebremse aktiveret | 17. Kædefanger | 31. Lås |
| 2. Kædebremse løsnest | 18. Sværdhylster | 32. Lås op |
| 3. Bageste håndtag | 19. Ledningskrog | 33. Fældningsområde |
| 4. Afbryderkontakt | 20. Justeringskkrue til oliepumpen (på undersiden) | 34. Fældningsretning |
| 5. Olieåksel | 21. Kædehjul | 35. Farezone |
| 6. Forreste håndtag | 22. Hul | 36. Flugtrute |
| 7. Forreste håndbeskytter | 23. Krog | 37. Skærlængde |
| 8. Sværd | 24. Split | 38. Afstand mellem skærekant og dybdemåler |
| 9. Savkæde | 25. Løsn | 39. Minimum 3 mm |
| 10. Håndtag | 26. Stram | 40. Sidepladevinkel |
| 11. Kædehjulsdæksel | 27. Maskinens ledning | 41. Olietransporttrille |
| 12. Drejeknap til justering | 28. Forlængerledning | 42. Oliepåfyldningshul |
| 13. Bagerste håndbeskytter | 29. Hanstik og hunstik (udformningen kan variere fra land til land) | |
| 14. Oliestandsmåler | 30. Samleled | |
| 15. Barkstøtte | | |
| 16. Sikringsknap | | |

SPECIFIKATIONER

Model		UC3041A		UC3541A		UC4041A	
Maks. kædehastighed		14,5 m/s (870 m/min)					
Standardsværd	Sværdlængde	300 mm		350 mm		400 mm	
	Skærelængde	265 mm		325 mm		360 mm	
Standardsværd		Kædehjulssværd					
Standardsavkæde	Type	90PX	91PX	90PX	91PX	90PX	91PX
	Tandafstand	3/8"					
	Antal drivled	46		52		56	
Anbefalet sværdlængde		300 - 400 mm					
Længde i alt (uden sværd)		455 mm					
Nettovægt		4,6 kg		4,7 kg		4,7 kg	
Forlængerledning (tilbehør)		DIN 57282/HO 7RN -F L = 30 m maks., 3 x 1,5 mm ²					

- På grund af vores løbende forsknings- og udviklingsprogram kan specifikationerne heri ændres uden forudgående varsel.
- Specifikationerne kan variere fra land til land.
- Vægt i henhold til EPTA-procedure 01/2003

Symbol

END218-7

Her vises de symboler, der benyttes til udstyret. Vær sikker på, at du forstår deres betydning, før du bruger udstyret.



..... Læs brugsanvisningen, og følg advarselserne og sikkerhedsinstruktionerne.



..... Bær beskyttelsesbriller.



..... Bær høreværn.



..... DOBBELT ISOLERET



..... Forsigtig: Vær ekstra forsigtig og opmærksom!



..... Forsigtig: Tag med det samme stikket ud af stikkontakten, hvis ledningen er beskadiget!



..... Forsigtig: Tilbageslag!



..... Beskyt mod regn og fugt!



..... Bær hjelm, beskyttelsesbriller og høreværn!



..... Bær arbejdshandsker!



..... Tag stikket ud af stikkontakten!



..... Førstehjælp



..... Maks. tilladte længde af snit



..... Kædens rotationsretning




..... Kædeolie



..... Kædebremse løsnest

 Kædebremse aktiveret

 Forbudt!

 Kun for EU-lande
Elektrisk udstyr må ikke bortskaffes som almindeligt affald!

I henhold til det europæiske direktiv om bortskaffelse af elektriske og elektroniske produkter og dets implementering i overensstemmelse med gældende national lovgivning skal brugt elektrisk udstyr, der har udtjent dets levetid, indsamles separat og returneres til miljøgodkendt genindvinding.


Tilsigtet brug ENE085-1
Denne maskine er beregnet til at skære i tømmer og træstammer.

Strømforsyning ENF002-2
Værktøjet bør kun slutes til en strømforsyning med den spænding, der er angivet på mærkepladen, og det kan kun benyttes med enkeltfaset vekselstrøm. Det er dobbelt isoleret og kan derfor også slutes til stikkontakter uden jordforbindelse.

Til offentlige lavspændingssystemer på mellem 220 V og 250 V. ENF100-1

Når der tændes og slukkes for elektriske apparater, medfører det spændingsudsving. Anvendelse af dette udstyr under dårlige strømforsyningsforhold kan have negativ indflydelse på anvendelsen af andet udstyr. Ved en strømforsyningsimpedans på eller under 0,29 Ohm vil der sandsynligvis ikke være negative effekter. Den stikkontakt, der benyttes til udstyret, skal være beskyttet med en sikring eller beskyttende kortslutningsafbryder med langsom udløsning.

Generelle sikkerhedsadvarsler for maskiner GEA010-1

 **ADVARSEL** Læs alle sikkerhedsadvarsler og alle instruktioner. Hvis De ikke følger alle advarsler og instruktioner, kan det medføre elektrisk stød, brand og/eller alvorlig personskade.

Gem alle advarsler og instruktioner til senere reference.

Sikkerhedsadvarsler for kædesav

GEB037-8

1. **Hold alle dele af kroppen væk fra savkæden, når kædesaven kører. Inden du starter kædesaven, skal du sørge for, at savkæden ikke er i kontakt med noget.** Et øjeblik uopmærksomhed under brug af kædesaven kan forårsage, at tøj eller en kropsdel kommer i kontakt med kædesaven.
2. **Hold altid kædesaven med højre hånd på det bagerste håndtag og venstre hånd på det forreste håndtag.** Holder du kædesaven med omvendt håndstilling forøges risikoen for personskader og bør derfor aldrig anvendes.

3. **Hold kun maskinen i de isolerede gribeblader, da savkæden kan komme i kontakt med skjulte ledninger eller maskinens egen ledning.** Hvis savkæden kommer i kontakt med en strømførende ledning, kan udsatte metaldele på maskinen blive strømførende, hvorved operatøren kan få elektrisk stød.
4. **Bær sikkerhedsbriller og høreværn. Det anbefales, at du anvender beskyttelsesudstyr til hoved, hænder, ben og fødder.** Passende beskyttelsesudstyr reducerer personskader opstået på grund af flyvende afskårne dele eller utilsigtet kontakt med kædesaven.
5. **Brug ikke kædesaven oppe i et træ.** Brug af en kædesav oppe i et træ kan resultere i personskader.
6. **Hold for altid at have et ordentligt fodfæste og brug kun kædesaven, når du står på en fast, stabil og jævn overflade.** Overflader, der er glatte eller ustabile som fx stiger, kan forårsage tab af balancen eller kontrollen over kædesaven.
7. **Når du saver i en gren, der er under spænd, skal du være opmærksom på, at den kan springe tilbage.** Når spændingen i træfibrene udløses, kan grenen springe tilbage mod operatøren og/eller slå kædesaven ud af kontrol.
8. **Vær yderst forsigtig når du saver i buske og unge træer.** Det tynde materiale kan sætte sig fast i savkæden og svinge over imod dig, eller trække dig ud af balance.
9. **Bær kædesaven i det forreste håndtag med kædesaven slukket og sværdet vendende væk fra kroppen. Når du transporterer eller opbevarer kædesaven, skal du altid sætte sværdhylstret på.** Korrekt håndtering af kædesaven reducerer risikoen for utilsigtet kontakt med den kørende savkæde.
10. **Følg anvisningerne for smøring, spænding af kæde og udskiftning af tilbehør.** En forkert spændt eller dårligt smurt kæde kan enten knække eller forøge risikoen for tilbageslag.
11. **Hold håndtagene tørre, rene og fri for olie og fedtstoffer.** Fedtede, olierede håndtag er glatte og giver ringere kontrol over maskinen.
12. **Sav kun i træ. Brug ikke kædesaven til formål den ikke er beregnet til. Eksempel: Brug ikke kædesaven til at save i plastic, murværk eller bygningsmaterialer, der ikke er af træ.** Brug af kædesaven til formål, den ikke er beregnet til, kan medføre farlige situationer.
13. **Årsager til tilbageslag og forebyggelse af dette:**
Tilbageslag kan opstå, når næsen eller spidsen af sværdet kommer i kontakt med en genstand, eller når træet lukker sammen og klemmer savkæden fast i snittet.
I nogle tilfælde kan kontakt med spidsen udløse en pludselig modsatrettet reaktion, der slår sværdet op og bagover mod operatøren.
Hvis savkæden klemmes langs den øverste del af sværdet, kan det skubbe sværdet kraftigt tilbage mod operatøren.
Begge disse reaktioner kan forårsage, at du mister kontrollen over saven og resultere i alvorlige personskader. Afhængig af den sikkerhedsforanstaltning som er indbygget i saven. Du bør som bruger af kædesaven tage flere

forholdsregler for at holde savearbejdet fri for uheld og skader.

Tilbageslag skyldes forkert brug af maskinen og/eller forkerte betjeningsprocedurer eller betingelser og kan undgås ved at træffe de nødvendige forholdsregler som beskrevet nedenfor:

- **Hold godt fast, med tommelfingrene og fingrene sluttet rundt om kædesavens håndtag, med begge hænder på saven samt krop og arm i en sådan position, at du kan modstå tilbageslagskræfterne.** Tilbageslagskræfterne kan kontrolleres af operatøren, hvis der tages de rigtige forholdsregler. Slip ikke kædesaven. (Fig. 1)
- **Stræk dig ikke for langt ud og sav ikke over skulderhøjde.** Dette hjælper til at forebygge utilsigtet kontakt med spidsen og giver bedre kontrol med kædesaven i uventede situationer.
- **Udskift kun med de sværd og kæder som er angivet af producenten.** Udskiftning med forkerte sværd og kæder kan forårsage brud og/eller tilbageslag.
- **Følg producentens instruktioner for slibning og vedligeholdelse af savkæden.** Mindskes højden på dybdemåleren kan det føre til flere tilbageslag.

YDERLIGERE SIKKERHEDSREGLER

1. Læs brugsanvisningen for at gøre dig selv bekendt med brugen af kædesaven.
2. Før du bruger kædesaven første gang, skal du sørge for at være instrueret i brugen. Hvis dette ikke er muligt, skal du øve dig ved at save i rundt tømmer på en savbuk, før du påbegynder arbejdet.
3. Kædesaven må ikke anvendes af børn eller unge på under 18 år. Unge over 16 år er muligvis undtaget fra denne regel, hvis de er under oplæring under opsyn af en ekspert.
4. Arbejde med kædesaven kræver et højt koncentrationsniveau. Du må ikke arbejde med saven, hvis du er syg eller utilpas. Udfør alt arbejde roligt og forsigtigt.
5. Du må ikke arbejde under påvirkning af alkohol, narkotika eller medicin.

Korrekt brug

1. Kædesaven er udelukkende beregnet til at save i træ. Anvend den ikke til f.eks. at save i plastik eller gasbeton.
2. Anvend kun kædesaven til formål, der er beskrevet i denne brugsanvisning. Anvend den **ikke** til f.eks. at klippe hæk eller til lignende formål.
3. Kædesaven må ikke anvendes til skovarbejde, dvs. til at fælde og beskære stående træer. Kædesavens ledning giver ikke operatøren den mobilitet og sikkerhed, der kræves til denne type arbejde.
4. Kædesaven er ikke beregnet til kommercielt brug.
5. Undlad at overbelaste kædesaven.

Personligt sikkerhedsudstyr

1. Der skal bæres tøj, der sidder tæt uden at begrænse bevægeligheden.
2. Bær følgende beskyttelsesudstyr under arbejdet:

- En afprøvet sikkerhedshjelm for det tilfælde, at der opstår fare pga. nedfaldende grene eller lignende.
- En ansigtsmaske eller beskyttelsesbriller.
- Passende høreværn (øreklapper, tilpassede eller formbare ørepropper). Oktavbåndsanalyse efter anmodning.
- Solide læderarbejdshandsker.
- Lange bukser fremstillet af slidstærkt stof.
- Beskyttende arbejdsbukser af skæresikkert stof.
- Sikkerhedssko eller støvler med skridsikre såler, stålsnuder og skæresikkert stof.
- En beskyttelsesmaske, når der udføres arbejde, som udvikler støv (f.eks. savning i tørt træ).

Beskyttelse mod elektrisk stød



Kædesaven må ikke anvendes under våde vejrforhold eller i fugtige miljøer, da elmotoren ikke er vandtæt.

1. Sæt kun saven ind i stikkontakter i testede elektriske kredsløb. Kontroller, at spændingen svarer til den, der er angivet på mærkepladen. Sørg for, at der er monteret en 16 A sikring. Hvis saven benyttes udendørs, skal den sluttes til en strømdrevet afledningskortslytningsafbryder med en driftsstrøm på højst 30 mA.



Tag med det samme stikket ud af stikkontakten, hvis netledningen bliver beskadiget.

Sikre arbejds måder

1. Før du påbegynder arbejdet, skal du sikre dig, at kædesaven er i korrekt funktionsstand, og at dens tilstand overholder sikkerhedsreglerne. Se især efter, at:
 - Kædebremsen fungerer korrekt.
 - Stoppbremsen fungerer korrekt.
 - Sværdet og kædehjulsdækslet er monteret korrekt.
 - Kæden er sletet og strammet i overensstemmelse med reglerne.
 - Netledningen og stikket ikke er beskadiget.

Se afsnittet "KONTROL".

2. Sørg især altid for, at den forlængerledning, der benyttes, har det rigtige tværsnit (se under "SPECIFIKATIONER"). Når der anvendes et kabelhjul, skal ledningen ruller helt af hjulet. Hvis saven benyttes udendørs, skal du sikre dig, at den anvendte ledning er beregnet til udendørs brug, og at den er normeret korrekt.
3. Sørg for at holde ledningen væk fra saveområdet samt placere den sådan, at den ikke sætter sig fast i grene og lignede under savningen.
4. Anvend ikke kædesaven i nærheden af brændbart støv eller dampe, da motoren udvikler gnister og kan medføre **eksplosionsfare**.
5. Arbejd kun på solidt underlag og med et sikkert fodfæste. Vær især opmærksom på forhindringer (f.eks. ledningen) i arbejdsområdet. Vær særligt forsigtig, når fugt, is, sne, nyfældet træ eller bark kan gøre overflader glatte. Stå ikke på stiger eller træer under anvendelse af saven.
6. Vær især forsigtig, når du arbejder på hældende steder. Rullende stammer og grene kan udgøre en fare.
7. Skær aldrig over skulderhøjde.

8. **Hold kædesaven med begge hænder, når den tændes og anvendes.** Hold det bageste håndtag med højre hånd og det forreste håndtag med venstre hånd. Hold fast omkring håndtagene med tommelfingrene. Sværdet og kæden må ikke berøre genstande, når der tændes for saven. (Fig. 1)
9. Ryd det sted, der skal saves, for fremmedobjekter som sand, sten, søm, ståltråd osv. Fremmedobjekter kan beskadige sværdet og kæden og kan medføre farligt tilbageslag.
10. Vær især opmærksom, hvis du saver i nærheden af ståltrådshegn. Sav ikke ind i hegnet, da saven kan slå tilbage.
11. Sav ikke ned i jorden.
12. Sav træemner enkeltvis, ikke i bundter eller stabler.
13. Undlad at bruge saven til at save i tynde grene og rødder, da du kan blive viklet ind i kædesaven. Du risikerer at miste balancen.
14. Anvend en solid støtte (savbuk) ved savning i savet tømmer.
15. Anvend ikke kædesaven til at fjerne eller børste træstykker og andre genstande væk.
16. Vend kædesaven sådan, at ingen del af dig selv befinder sig i forlængelse af savkæden (se figur). (Fig. 2)
17. Når du bevæger dig omkring mellem savningsarbejder, skal du anvende kædebremsen for at forhindre, at kæden går i gang utilsigtet. Hold kædesaven i det forreste håndtag, når den bæres, og sæt ikke fingeren på kontakten.
18. Tag stikket ud af stikkontakten, når du holder pauser eller efterlader kædesaven uden opsyn. Læg kædesaven på et sted, hvor den ikke udgør en risiko.

Tilbageslag

1. Der kan opstå farligt tilbageslag under arbejdet med kædesaven. Tilbageslag opstår, når spidsen af sværdet (især den øverste fjerdedel) kommer i kontakt med træ eller andre faste genstande. Derved slås kædesaven tilbage i retning mod operatøren. (Fig. 3)
2. Overhold følgende retningslinjer for at undgå tilbageslag:
 - Start aldrig et snit med spidsen af sværdet.
 - Anvend aldrig spidsen af sværdet til savning. Vær især opmærksom ved genoptagelse af snit, der allerede er påbegyndt.
 - Start først snittet, når kæden kører.
 - Slib altid kæden korrekt. Sørg især for at indstille dybdemåleren til den korrekte højde.
 - Sav aldrig i flere grene ad gangen.
 - Sørg for, at sværdet ikke kommer i kontakt med andre grene under afgrøning.
 - Hold afstand til nærliggende stammer ved savning i træstammer. Hold altid øje med sværds spidsen.
 - Anvend en savbuk.

Sikkerhedsfunktioner

1. Kontroller altid, at sikkerhedsfunktionerne fungerer korrekt, før du påbegynder arbejdet. Anvend ikke kædesaven, hvis sikkerhedsfunktionerne ikke fungerer korrekt.
- **Kædebremse:**
Kædesaven har en kædebremse, der stopper savkædens bevægelse på en brøkdæl af et sekund.

Bremsen aktiveres, når håndbeskytteren skubbes fremad. Savkæden stoppes inden for 0,15 sekund, og strømmen til motoren afbrydes. (Fig. 4)

– Stopbremse:

- Kædesaven er udstyret med en stopbremse, der stopper savkæden med det samme, når der trykkes på ON/OFF-kontakten. Dette forhindrer savkæden i at udgøre en fare ved at fortsætte med at køre, når der er slukket for saven.
- **De forreste og bageste håndbeskyttere** beskytter brugeren mod personskade på grund af træstykker, der slynges bagud, eller på grund af en knækket savkæde.
- **Håndtagslåsen** forhindrer, at kædesaven tændes ved et uheld.
- **Kædefangeren** beskytter brugeren mod personskade i tilfælde af, at kæden hopper af eller knækker.

Transport og opbevaring



Når kædesaven ikke er i brug, eller når den transporteres, skal du tage stikket ud af stikkontakten og sætte det sværdhulster, der fulgte med saven, på. Du må aldrig bære eller transportere saven, mens savkæden kører.

1. Bær kædesaven i det forreste håndtag, så sværdet peger bagud.
2. Opbevar kædesaven i et sikkert, tørt og aflåst rum og utilgængeligt for børn. Undlad at opbevare kædesaven udendørs.

Vedligeholdelse

1. Tag stikket ud af stikkontakten, før du udfører nogen justeringer eller vedligeholdelse.
2. Kontroller regelmæssigt netledningen før, om isoleringen er beskadiget.
3. Rengør jævnligt kædesaven.
4. Beskadigelse af plastdækslet skal repareres med det samme og korrekt.
5. Undlad at anvende saven, hvis afbryderkontakten ikke fungerer korrekt. Få den repareret korrekt.
6. Du må under ingen omstændigheder foretage ændringer til kædesaven. Det kan udgøre en risiko for din sikkerhed.
7. Undlad at udføre anden vedligeholdelse eller reparation end det, der er beskrevet i denne brugsanvisning. Alt andet arbejde skal udføres af et autoriseret servicecenter.
8. Anvend kun originale reservedele og tilbehør, der er beregnet til din savmodel. Ved brug af andre reservedele forøges risikoen for uheld.
9. Vi påtager os ikke ansvar for uheld eller skade, hvis der er benyttet ikke-godkendte sværd, savkæder eller andre reservedele eller andet tilbehør.

Førstehjælp



Arbejd altid inden for kaldeafstand af en anden person.

1. Hav altid en førstehjælpkasse ved hånden. Erstat med det samme genstande, der benyttes fra den.
2. Hvis du har brug for at tilkalde hjælp i tilfælde af et uheld, skal du oplyse følgende:
 - Hvor er uheldet sket?
 - Hvad er der sket?
 - Hvor mange personer er kommet til skade?
 - Hvilke læsioner har de?

- Hvem rapporterer uheldet?

BEMÆRK:

Personer med dårligt blodomløb, der udsættes for kraftige vibrationer, risikerer beskadigelse af blodkar eller nervesystemet.

Vibrationer kan medføre følgende symptomer i fingre, hænder eller håndled: Leddet "sover" (følelsesløshed), prikken, smerte, stikken, ændring af hudfarven eller af huden.

Søg læge, hvis nogle af disse symptomer opstår!

GEM DISSE INSTRUKTIONER.

⚠ ADVARSEL:

LAD IKKE tryghed eller kendskab til produktet (fra gentagen brug) føre til, at du ikke strengt overholder sikkerhedsreglerne for det gældende produkt.

MISBRUG eller manglende overholdelse af sikkerhedsreglerne i denne brugsanvisning kan medføre alvorlig personskade.

DELENES BETEGNELSE (Fig. 5)

MONTERING

⚠ FORSIGTIG:

- Sørg altid for, at maskinen er slukket, og stikket er taget ud af stikkontakten, før du udfører nogen form for arbejde på maskinen.

Afmontering eller montering af savkæden

⚠ FORSIGTIG:

- Bær altid handsker, når du monterer eller afmonterer savkæden.

Udfør de følgende trin for at afmontere savkæden:

1. Tryk og åbn håndtaget fuldstændigt, indtil det stopper. (Fig. 6)
 2. Drej håndtaget mod uret for at løsne kædehjulsdækslet, indtil det kommer af.
 3. Drej drejknappen i "-"-retningen for at løsne stramningen af savkæden. (Fig. 7)
 4. Fjern kædehjulsdækslet.
 5. Tag savkæden og sværdet af kædesaven.
- Udfør de følgende trin for at montere savkæden:
6. Sørg for, at retningen på kæden er korrekt. Pilemærket på kæden viser kædens retning. (Fig. 8)
 7. Anbring den ene ende af savkæden på spidsen af sværdet, og den anden ende sættes omkring kædehjulet.
 8. Sæt sværdet på plads på kædesaven.
 9. Ret strammingskyderen ind med hullet i sværdet. (Fig. 9)
 10. Hold sværdet og drej drejknappen i "+"-retningen for at justere stramningen af savkæden.
 11. Placer kædehjulsdækslet så krogene passer langs hullerne, og splitten passer ind i dens modpart på kædehjulsdækslet. (Fig. 10)
 12. Drej håndtaget med uret for at fastgøre kædehjulsdækslet. (Fig. 11)
 13. Tryk og returner håndtaget til dets oprindelige position.

Justering af savkædens stramning

Savkæden kan blive løs, når den har været brugt i mange timer. Kontrollér regelmæssigt savkædens stramning før brugen.

1. Tryk og åbn håndtaget fuldstændigt, indtil det klikker. Drej det lidt mod uret for at løsne kædehjulsdækslet en smule. (Fig. 6)
2. Løft sværdspidsen en smule op. (Fig. 12)
3. Drej på drejknappen for at justere savkædens stramning. Stram savkæden indtil den nederste side af savkæden passer ind i sværdets skinne (se cirkel).
4. Bliv ved med at holde let i sværdet og stram kædehjulet, efter du har justeret kædespændingen. Sørg for at savkæden ikke løsner sig på den nederste side.
5. Tryk og sæt håndtaget tilbage i den oprindelige position. (Fig. 13)

Sørg for, at savkæden sidder tæt ind mod den nederste side af sværdet.

⚠ FORSIGTIG:

- Stram ikke savkæden for meget. Hvis savkæden strammes for meget, kan det medføre, at savkæden knækker, slid på sværdet og beskadigelse af drejknappen.
- Hvis kæden sidder for løst, kan den hoppe af sværdet og derved udgøre en risiko for uheld.
- Udfør proceduren for montering eller afmontering af savkæden på et rent sted, fri for savsmuld og lignende.

Tilslutning af forlængerledning

⚠ FORSIGTIG:

- Sikr dig, at forlængerledningens stik ikke sidder i stikkontakten. (Fig. 14)

Når du tilslutter forlængerledningen, skal du fastgøre den til kædesavens ledning med ledningskrogen.

Fastgør ledningskrogen cirka 100 - 200 mm fra forlængerledningens stik. Dette er med til at forhindre utilsigtet ledningsfrakobling.

BETJENING

Betjening af afbryderkontakt (Fig. 15)

⚠ FORSIGTIG:

- Sørg altid for, at maskinen er slukket, og stikket taget ud af stikkontakten, før du kontrollerer funktionen på afbryderkontakten.
- Før maskinen tilsluttes, skal du altid kontrollere, at afbryderkontakten fungerer korrekt og vender tilbage til "OFF"-stillingen, når du slipper den.

BEMÆRK:

- Undlad at tænde og slukke for ofte inden for kort tid (fem sekunder eller mindre). Temperaturen inde i maskinen vil stige, og det kan eventuelt beskadige maskinen. Tiden varierer efter lufttemperatur og andre forhold. (Fig. 16)

En sikringsknap forhindrer, at afbryderkontakten trykkes ind ved et uheld.

Maskinen startes ved at trykke sikringsknappen ind og trække i afbryderkontakten. Slip afbryderkontakten for at stoppe.

Smøring

FORSIGTIG:

- Sørg altid for, at maskinen er slukket, og at stikket er taget ud af stikkontakten, før du smører savkæden. Smør savkæden og sværdet med biologisk nedbrydelig savkædeolie med en klæbetilsætning. Klæbetilsætningen i savkædeolien forhindrer, at olien slynges for hurtigt af saven. Der må ikke benyttes mineralske olier, da de er skadelige for miljøet. (Fig. 17)

FORSIGTIG:

- Undgå at få olien på huden eller i øjnene. Kontakt med øjnene medfører irritation. Hvis du får olie i øjnene, skal du med det samme skylle øjet med rindende vand og derefter straks søge læge.
- Anvend aldrig spildolie. Spildolie indeholder kræftfremkaldende stoffer. Forureningen i spildolie medfører øget slid på oliepumpen, sværdet og kæden. Spildolie er skadeligt for miljøet.
- Når du kommer kædeolie på kædesaven for første gang, eller når du fylder beholderen igen, efter at den har været helt tømt, skal du påfylde olie til den nederste kant af påfyldningshalsen. Ellers kan olieafledningen blive forhindret.

Udfør de følgende trin for at påfylde olie: (Fig. 18)

1. Rengør området omkring oliedækslet grundigt for at forhindre, at der kommer snavs i oliebeholderen.
2. Skru oliedækslet af, og påfyld olie til den nederste kant af påfyldningshalsen.
3. Skru oliedækslet fast på plads.
4. Tør omhyggeligt spildt kædeolie væk.

BEMÆRK:

- Når kædesaven anvendes for første gang, kan det tage op til to minutter, før kædeolien begynder at smøre savmekanismen. Lad saven køre uden belastning indtil den gør det (se under "KONTROL").

KONTROL

Udfør følgende kontroller, før du påbegynder arbejdet:

Kontrol af kædestramningen

ADVARSEL:

- Tag altid stikket ud af stikkontakten, før du kontrollerer kædens stramning, og bær arbejdshandsker. Sørg for, at savkæden sidder tæt ind mod den nederste side af sværdet (se cirkel). (Fig. 12)
- Kontroller kædens stramning regelmæssigt, da nye kæder strækker sig. Hvis savkæden strammes for meget, kan det medføre, at savkæden knækker, slid på sværdet og beskadigelse af drejknappen. Hvis kæden sidder for løst, kan den hoppe af sværdet og derved udgøre en risiko for uheld. Hvis kæden sidder for løst: Se i afsnittet "Justering af savkædens stramning", og juster stramningen af savkæden igen.

Kontrol af kontaktens funktion

FORSIGTIG:

- Før maskinen tilsættes, skal du altid kontrollere, at afbryderkontakten fungerer korrekt og vender tilbage til "OFF"-stillingen, når du slipper den. En sikringsknap forhindrer, at afbryderkontakten trykkes ind ved et uheld. Maskinen startes ved at trykke sikringsknappen ind og trække i afbryderkontakten. Slip afbryderkontakten for at stoppe. Træk ikke hårdt i afbryderkontakten uden at trykke ind på sikringsknappen. Dette kan muligvis ødelægge kontakten.

Kontrol af kædebremsen

BEMÆRK:

- Hvis kædesaven ikke starter, skal du kontrollere, om kædebremsen er sluppet. For at slippe kædebremsen skal du trække håndbeskytteren tilbage indtil du mærker, at den går i indgreb. (Fig. 19 og 20)

Sådan kontrolleres kædebremsen:

1. Hold kædesaven med begge hænder, når den tændes. Hold det bageste håndtag med højre hånd og det forreste håndtag med venstre hånd. Sørg for, at sværdet og kæden ikke er i berøring med nogen genstande.
2. Tryk først på sikringsknappen og derefter på afbryderkontakten. Savkæden starter med det samme.
3. Tryk den forreste håndbeskytter fremad med bagsiden af hånden. Kontroller, at kædesaven straks stopper fuldstændig.

FORSIGTIG:

- Hvis kædesaven ikke stopper med det samme, skal du under ingen omstændigheder anvende saven. Kontakt et autoriseret Makita-servicecenter.

Kontrol af stopbremsen

Tænd for kædesaven.

Slip afbryderkontakten helt. Kontroller, at kædesaven stopper inden for et sekund.

FORSIGTIG:

- Hvis kædesaven ikke stopper med det samme, skal du under ingen omstændigheder anvende saven. Kontakt et autoriseret Makita-servicecenter.

Kontrol af kædesmøreren

- Før du påbegynder arbejdet, skal du kontrollere oliestanden i beholderen samt olieafledningen. Oliestanden kan kontrolleres i oliestandsmåleren, der vises på figuren. (Fig. 21)
- Sådan kontrolleres olieafledningen: Start kædesaven. Hold savkæden cirka 15 cm over en træstub eller over jorden, mens saven kører. Ved tilstrækkelig smøring frembringer olietænk et tyndt oliespor. Vær opmærksom på vindretningen, og udsæt ikke dig selv for unødige olietænk.

FORSIGTIG:

- Hvis der ikke dannes et oliespor, må saven ikke anvendes. I modsat fald forkortes kædens levetid. Kontroller oliestanden. Rengør oliepåfyldningsrillen og

oliepåfyldningshullet i sværdet (se under "VEDLIGEHOJDELSE").

Justering af kædesmøringen (Fig. 22)

Du kan justere oliepumpens tilførselshastighed med justeringseskruen.

⚠ FORSIGTIG:

- Brug altid et forreste håndtag og bagerste håndtag, og hold maskinen ordentligt fast i både det forreste håndtag og bagerste håndtag under anvendelsen.
- Fastgør altid det træ som skal saves, ellers kan savefragmenter muligvis forårsage personskader.

ARBEJDE MED KÆDESAVEN

Savning i træstammer (Fig. 23)

Ved skæring i træstammer placeres barkstøtten på det træ, der skal skæres i, som vist på figuren.

Lad savkæden køre, og sav ned i træet, idet du benytter det bageste håndtag til at løfte saven og det forreste håndtag til at styre den. Brug barkstøtten som omdrejningspunkt.

Fortsæt skæret ved at trykke let på det forreste håndtag og trække saven let tilbage. Flyt barkstøtten længere ned ad tømmeret, og løft det forreste håndtag igen.

Sluk for kædesaven mellem snittene, når du foretager flere snit.

⚠ FORSIGTIG:

- Hvis den øverste kant af sværdet bruges til at skære, kan kædesaven blive slynget imod dig, hvis kæden kommer i klemme. Skær derfor med den nederste kant, så saven i givet fald slynges væk fra dig selv. (Fig. 24)

Ved savning i træ, der ligger i spænd, skal der først saves på tryksiden (A). Foretag derefter det sidste snit på spændsiden (B). Dette forhindrer, at sværdet kommer i klemme. (Fig. 25)

Afgrening

⚠ FORSIGTIG:

- Afgrening må kun udføres af øvede personer. Risikoen for tilbageslag udgør en fare.

Ved afgrening skal kædesaven så vidt muligt understøttes på stammen. Sav ikke med spidsen af sværdet, da dette medfører risiko for tilbageslag.

Vær især opmærksom på grene, der ligger i spænd. Sav ikke grene, der ikke er understøttet, nedefra.

Stå ikke på det fældede træ, mens du afgrener.

Indsnit og savning på langs af træårene

⚠ FORSIGTIG:

- Indsnit og savning på langs af årene må kun udføres af personer med specialtræning. Muligheden for tilbageslag medfører risiko for personskade.

Udfør savning på langs af årene i så lille en vinkel som muligt. Foretag snittet så forsigtigt som muligt, da barkstøtten ikke kan benyttes. (Fig. 26)

Fældning

⚠ FORSIGTIG:

- Fældningsarbejde må kun udføres af øvede personer. Dette arbejde er farligt.

Vær opmærksom på den lokale lovgivning, hvis du vil fælde et træ. (Fig. 27)

- Før du påbegynder fældningsarbejde, skal du sikre dig, at:
 - (1) Kun personer, der har med fældningsarbejdet at gøre, er i nærheden.
 - (2) Alle involverede personer har en ublokeret flugtvej i et område på cirka 45° til hver side af fældningsaksen. Vær desuden opmærksom på risikoen for at falde over elektriske ledninger.
 - (3) Basis af træstubben er fri for fremmedlegemer, rødder og grene.
 - (4) Der ikke er nogen personer eller genstande i en afstand af 2 1/2 gange træets længde i den retning, træet vil falde i.
- Vær opmærksom på følgende for hvert træ:
 - Den retning, det hælder i.
 - Løse eller tørre grene.
 - Træets højde.
 - Naturlige fremspring.
 - Om træet er råddent.
- Vær opmærksom på vindstyrken og -retningen. Undlad at udføre fældningsarbejde, hvis vinden varierer meget.
- Beskæring af rodremspring: Start med de største fremspring. Udfør det lodrette snit først og derefter det vandrette snit.
- Skær et vinkelsnit: Vinkelsnittet bestemmer, hvilken retning træet falder i, og fører det. Snittet foretages på den side, som træet skal falde til. Skær vinkelsnittet så tæt på jorden som muligt. Skær først det vandrette snit til en dybde af 1/5 – 1/3 af stammens diameter. Gør ikke vinkelsnittet for stort. Skær derefter det skrå snit. (Fig. 28)
- Skær alle korrektioner til vinkelsnittet i hele dets bredde.
- Skær bagsnittet lidt højere end grundsnittet i vinkelsnittet. Bagsnittet skal være helt vandret. Lad cirka 1/10 af stammens diameter mellem bagsnittet og vinkelsnittet være. Træfibrene i den uskårede del af stammen fungerer som et hængsel. Du må under ingen omstændigheder gennemskære fibrene, da træet ellers vil falde ukontrolleret. Indsæt kiler i bagsnittet i tide. (Fig. 29)
- Der må kun anvendes plastik- eller aluminiumskiler til at holde bagsnittet åbent. Brug af jernkiler er forbudt.
- Stå til siden af det faldende træ. Hold et område bag det faldende træ ryddet i en vinkel på op til 45° til hver side af træets akse (se figuren "fældningsområde"). Vær opmærksom på faldende grene.
- Der bør planlægges, og om nødvendigt ryddes, en flugtvej, inden savningen starter. Flugtvejen bør strække sig bagud og diagonalt i forhold til den forventede faldlinje som vist på figuren. (Fig. 30)

VEDLIGEHODELSE

FORSIGTIG:

- Sørg altid for, at maskinen er slukket, og at stikket er taget ud, før du udfører inspektion eller vedligeholdelse.
- Bær altid handsker, når du udfører inspektion eller vedligeholdelse.
- Brug aldrig benzin, benzen, fortynder, alkohol eller lignende. Det kan muligvis medføre misfarvning, deformation eller revner.

Udfør de ovenfor beskrevne vedligeholdelsesopgaver regelmæssigt. Krav i henhold til garantien accepteres kun, hvis opgaverne er udført regelmæssigt og korrekt. Brugeren må kun udføre de vedligeholdelsesopgaver, der er beskrevet i denne brugsanvisning. Alt andet arbejde skal udføres af et autoriseret MAKITA-servicecenter.

Rengøring af kædesaven

Rengør saven regelmæssigt med en ren klud. Håndtagene skal især holdes fri for olie.

Rengøring af plastikdækslet

Inspicer regelmæssigt alle dele af dækslet. Hvis der er nogen beskadigede dele, skal du straks få dem repareret ordentligt af autoriseret MAKITA-servicecenter.

Slibning af savkæden

FORSIGTIG:

- Tag altid stikket ud af stikkontakten, og bær handsker, når du udfører arbejde på savkæden.

Slib savkæden, når: (Fig. 31)

- Der frembringes melet savsmuld, når der skæres i fugtigt træ.
- Kæden har svært ved at skære i træet, også selvom der trykkes hårdt på saven.
- Skærekanten er tydeligt beskadiget.
- Saven trækker til venstre eller højre i træet. Årsagen til denne virkemåde er, at savkæden er ujævnt sletet, eller at den ene side er beskadiget.

Slib jævnlige savkæden, men fjern kun en lille smule materiale ad gangen.

Ved rutineslibning er to eller tre strøg med en fil som regel tilstrækkeligt. Når savkæden er sletet adskillige gange, skal den slibes på et autoriseret MAKITA-servicecenter.

Slibningskriterier:

- Al skærlængde skal være ens. Hvis skærene har forskellige længder, kører kæden ikke jævnt, hvilket kan medføre, at kæden knækker.
- Slib ikke kæden, når en mindste skærlængde på 3 mm er nået. Der skal monteres en ny kæde.
- Tykkelsen af spånerne bestemmes af afstanden mellem dybdemåleren (afrundet spids) og den skærende kant.
- De bedste saveresultater opnås ved en afstand på mellem skærekanten og dybdemåleren.
 - Kædesavskæde 90PX: 0,5 mm
 - Kædesavskæde 91PX: 0,65 mm (Fig. 32)

ADVARSEL:

- Risikoen for tilbageslag forøges, hvis afstanden er for stor.

- Slibningsvinklen på 30° skal være den samme på alle skær. Forskellige vinkler får kæden til at køre ujævnt og ustabil, forøger sliddet og medfører, at kæden knækker.
- Sidepladevinklen på skæret bestemmes af gennemtrængningsdybden af den runde fil. Hvis den angivne fil bruges korrekt, fremkommer den korrekte sidepladevinkel automatisk.
- Sidepladevinkel for hver savkæde er som følger:
 - Kædesavskæde 90PX: 75°
 - Kædesavskæde 91PX: 80° (Fig. 33)

Fil og filføring

- Brug en særlig rund fil (fås som tilbehør) til savkæder til at slibe kæden. Normale runde file kan ikke anvendes.
- Diameteren på den runde fil for hver savkæde er som følger:
 - Kædesavskæde 90PX: 4,5 mm
 - Kædesavskæde 91PX: 4,0 mm
- Filen må kun berøre skæret på det fremadrettede strøg. Løft filen fra skæret på tilbagestrøget.
- Slib det korteste skær først. Derefter bliver længden af dette korteste skær standarden for alle andre skær på savkæden.
- Før filen som vist på figuren. (Fig. 34)
- Filen kan føres lettere, hvis der anvendes en filholder (fås som tilbehør). Filholderen har mærker for den korrekte slibningsvinkel på 30° (juster mærkerne, så de er parallelle med savkæden) og begrænser gennemtrængningsdybden (til 4/5 af filens diameter). (Fig. 35)
- Når kæden er sletet, skal du kontrollere dybdemålerens højde ved hjælp af kædemålerværktøjet (fås som tilbehør). (Fig. 36)
- Fjern alt udstikkende materiale, uanset hvor småt det er, med en særlig flad fil (fås som tilbehør).
- Afrund forsiden af dybdemåleren igen.

Rengøring af sværdet og smøring af returkædehjulet

FORSIGTIG:

- Bær altid arbejdshandsker ved udførelse af denne opgave. Grater udgør en risiko for personskade. Kontroller jævnligt sværdets køreoverflader for beskadigelse. Rengør det med et passende værktøj, og fjern om nødvendigt grater. (Fig. 37)
- Hvis kædesaven anvendes hyppigt, skal du smøre returkædehjulets leje mindst en gang om ugen. Før der tilføres nyt fedtstof, skal du omhyggeligt rengøre 2 mm-hullet øverst på sværdet og derefter presse en lille mængde flerfunktionsfedtstof (fås som tilbehør) ned i hullet.

Rengøring af oliestret (Fig. 38)

- Rengør oliepåfyldningsrillen og oliepåfyldningshullet i sværdet.

Nye savkæder

Skift mellem brugen af to eller tre savkæder, så savkæden, kædehjulet og køreoverfladerne på sværdet slides jævnt. Vend sværdet, når du skifter kæden, så sværdrillen slides jævnt.

FORSIGTIG:

- Brug kun kæder og sværd, der er beregnet til denne savmodel (se under "SPECIFIKATIONER").

Før du monterer en ny savkæde, skal du kontrollere kædehjulets tilstand. (Fig. 39)

FORSIGTIG:

- Et slidt kædehjul beskadiger en ny savkæde. Udskift i dette tilfælde kædehjulet.

Monter altid en ny låsering, når kædehjulet udskiftes.

Vedligeholdelse af kædebremsen og stopbremsen

Bremsesystemerne er yderst vigtige sikkerhedsfunktioner. Som alle kædesavens andre komponenter er de udsat for en vis grad af slid. De skal efterses regelmæssigt af et autoriseret MAKITA-servicecenter. Dette er for din egen sikkerheds skyld.

Opbevaring af maskinen

Biologisk nedbrydelig savkædeolie kan kun opbevares i et begrænset tidsrum. To år efter fremstillingen begynder biologiske olier at blive klæbende, og de beskadiger oliepumpen og komponenterne i smøringssystemet.

- Før kædesaven gemmes i et længere tidsrum, skal du tømme oliebeholderen og fylde den med en lille mængde maskinolie (SAE 30).
- Lad kædesaven køre et kort stykke tid for at rense alle rester af den biologiske olie ud af holderen, smøringssystemet og savmekanismen.

BEMÆRK:

- Når kædesaven lægges til side, lækker der i et stykke tid små mængder kædeolie fra den. Dette er normalt og er ikke tegn på fejl.

Opbevar kædesaven på et passende underlag.

Før kædesaven tages i brug igen, skal du fylde den op med frisk BIOTOP-savkædeolie.

For at holde produktet SIKKERT og PÅLIDELIGT skal reparationer, kontrol og udskiftning af kulbørsterne samt al anden vedligeholdelse eller justering udføres af autoriserede Makita-servicecentre, der altid benytter Makita-reservedele.

FEJLFINDING

Foretag først selv eftersyn, inden du beder om reparation. Hvis du finder et problem, der ikke er forklaret i brugsanvisningen, skal du ikke forsøge at skille maskinen ad. Henvend dig i stedet et autoriseret Makita-servicecenter.

Fejlfunktionsstatus	Mulig årsag	Afhjælpning
Kædesaven starter ikke.	Ingen strømforsyning.	Tilslut den til strømforsyningen. Kontroller strømforsyningen.
	Defekt kabel.	Stop straks brugen af maskinen og henvend dig til dit lokale autoriserede servicecenter.
	Funktionsfejl på maskinen.	Stop straks brugen af maskinen og henvend dig til dit lokale autoriserede servicecenter.
Kæden kører ikke.	Kædebremsen er aktiveret.	Løsn kædebremsen.
Manglende ydeevne.	Kulbørste er slidt ned.	Henvend dig til dit lokale autoriserede servicecenter angående reparation.
Ingen olie på kæden.	Olietank er tom.	Fyld olietanken.
	Olietransportrille er beskidt.	Rens rillen.
	Oliepumpens justeringsskrue er justeret forkert.	Juster oliepumpens tilførselshastighed.
Kæden stopper ikke, selvom kædebremsen er aktiveret.	Bremsebånd er slidt ned.	Stop straks brugen af maskinen og henvend dig til dit lokale autoriserede servicecenter.
Maskinen vibrerer unormalt.	Løsn sværdet eller savkæden.	Juster stramningen af sværdet og savkæden.
	Funktionsfejl på maskinen.	Stop straks brugen af maskinen og henvend dig til dit lokale autoriserede servicecenter.

014314

EKSTRAUDSTYR

FORSIGTIG:

- Dette tilbehør eller ekstraudstyr anbefales til brug med det Makita-værktøj, som er beskrevet i denne brugsanvisning. Brug af andet tilbehør eller ekstraudstyr kan forårsage personskade. Brug kun tilbehør eller ekstraudstyr til det formål, det er beregnet til.

Henvend dig til dit lokale Makita-servicecenter, hvis du har brug for hjælp eller yderligere oplysninger vedrørende tilbehøret.

- Savkæde

- Sværdhylster
- Sværd
- Kædemåler
- Rund fil 4,0 mm
- Rund fil 4,5 mm
- Flad fil
- Filholder med 4,0 mm-fil
- Filholder med 4,5 mm-fil
- Filhåndtag
- Savkædeolie
- Flerfunktionsfedtstof
- Fedtsmerer

BEMÆRK:

- Visse dele på listen er muligvis indeholdt maskinindpakningen som standardtilbehør. De kan variere fra land til land.

Støj

ENG905-1

Det typiske A-vægtede støjniveau bestemt i overensstemmelse med EN60745:

- Lydtryksniveau (L_{pA}): 90,3 dB (A)
- Lydeffektniveau (L_{wA}): 101,3 dB (A)
- Usikkerhed (K): 2,5 dB (A)

Bær høreværn.**Vibration**

ENG900-1

Den samlede vibrationsværdi (treaksiel vektorsum) bestemt i overensstemmelse med EN60745:

- Arbejdstilstand: savning i træ
- Vibrationsemission (a_h): 4,7 m/s²
- Usikkerhed (K): 1,5 m/s²

ENG901-1

- Den opgivne vibrationsemissionsværdi er målt i overensstemmelse med standardtestmetoden og kan bruges til at sammenligne et værktøj med et andet.
- Den opgivne vibrationsemissionsværdi kan muligvis også bruges til en indledende eksponeringsvurdering.

⚠ ADVARSEL:

- Vibrationsemissionen under den faktiske brug af maskinen kan afvige fra den opgivne emissionsværdi afhængigt af den måde, maskinen anvendes på.
- Sørg for at bestemme sikkerhedsforanstaltninger for beskyttelse af operatøren, som er baseret på en eksponeringsvurdering for brug under faktiske forhold (hvor alle anvendelsescyklussens dele inddrages, som f.eks. antal gange maskinen slukkes, og når den kører i tomgang ud over triggertiden).

Kun for europæiske lande

ENH021-8

EF-overensstemmelseserklæring**Makita erklærer at følgende Makita-maskine(r):**

- Maskinens betegnelse:
Kædesav
- Modelnummer/type: UC3041A, UC3541A, UC4041A
- Specifikationer: se tabellen "SPECIFIKATIONER".

Overholder følgende europæiske direktiver:

2000/14/EF, 2006/42/EF

De er produceret i overensstemmelse med den følgende standard eller standardiserede dokumenter:

EN60745

Den tekniske fil er i overensstemmelse med 2006/42/EF til rådighed fra:

Makita, Jan-Baptist Vinkstraat 2, 3070, Belgien

Den konformitetsvurderingsprocedure, der kræves af Direktiv 2000/14/EF, blev udført i henhold til appendiks V.

Målt lydeffektniveau: 102,2 dB (A)

Garanteret lydeffektniveau: 104 dB (A)

26. 4. 2013



Yasushi Fukaya
Direktør

Makita, Jan-Baptist Vinkstraat 2, 3070, Belgien

ΕΛΛΗΝΙΚΑ (Πρωτογενείς οδηγίες)

Περιγραφή γενικής όψης

- | | | |
|---|--|---|
| 1. Φρένο αλυσίδας ενεργό | 17. Συγκρατητήρας αλυσίδας | 31. Κλειδωμένο |
| 2. Φρένο αλυσίδας ανενεργό | 18. Κάλυμμα οδηγητικής λάμας της αλυσίδας | 32. Ξεκλειδωτό |
| 3. Πίσω λαβή | 19. Γάντζος καλωδίου | 33. Περιοχή ρίψης δέντρου |
| 4. Σκανδάλη διακόπτης | 20. Ρυθμιστική βίδα για την αντλία λαδιού (στο κάτω μέρος) | 34. Διεύθυνση πτώσης |
| 5. Τάπα πλήρωσης λαδιού | 21. Οδοντωτός τροχός | 35. Ζώνη κινδύνου |
| 6. Μπροστινή λαβή | 22. Οπή | 36. Οδός διαφυγής |
| 7. Μπροστινό προστατευτικό χεριού | 23. Αγκιστρο | 37. Μήκος κόπτη |
| 8. Οδηγητική λάμα αλυσίδας | 24. Πείρος | 38. Απόσταση μεταξύ του άκρου κοπής και του ρυθμιστή βάθους |
| 9. Πριοναλυσίδα | 25. Ξεσφίξτε | 39. Ελάχιστο 3 mm |
| 10. Μοχλός | 26. Σφίξτε | 40. Γωνία πλαισίου χείλους |
| 11. Κάλυμμα οδοντωτού τροχού | 27. Καλώδιο εργαλείου | 41. Εγκοπτή οδηγού λαδιού |
| 12. Επιλογέας ρύθμισης | 28. Καλώδιο προέκτασης | 42. Οπή τροφοδοσίας λαδιού |
| 13. Πίσω προστατευτικό χεριού | 29. Βύσμα και πρίζα (το σχήμα μπορεί να διαφέρει από χώρα σε χώρα) | |
| 14. Διαφανές παραθυράκι για τον έλεγχο της στάθμης λαδιού | 30. Λουριδα | |
| 15. Οδοντωτός προφυλακτήρας | | |
| 16. Κουμπί ασφάλισης | | |

ΠΡΟΔΙΑΓΡΑΦΕΣ


Μοντέλο	UC3041A		UC3541A		UC4041A		
Μέγιστη ταχύτητα αλυσίδας	14,5 m/s (870 m/min)						
Κανονική οδηγητική λάμα	Μήκος λάμας	300 mm	350 mm		400 mm		
	Μήκος κοπής	265 mm	325 mm		360 mm		
	Τύπος οδηγητικής λάμας	Λάμα με οδοντωτό τροχό στη μύτη					
Κανονική πριοναλυσίδα	Τύπος	90PX	91PX	90PX	91PX	90PX 91PX	
	Βήμα αλυσίδας	3/8"					
	Αριθμός κρίκων κίνησης	46		52		56	
Συνιστώμενο μήκος οδηγητικής λάμας	300 - 400 mm						
Ολικό μήκος (χωρίς οδηγητική λάμα)	455 mm						
Καθαρό βάρος	4,6 kg		4,7 kg		4,7 kg		
Καλώδιο επέκτασης (μπαλαντζά) (προαιρετικό)	DIN 57282/HO 7RN -F L = 30 m μεγ., 3 x 1,5 mm ²						

- Λόγω του συνεχόμενου προγράμματος που εφαρμόζουμε για έρευνα και ανάπτυξη, τα τεχνικά χαρακτηριστικά στο παρόν έντυπο υπόκεινται σε αλλαγή χωρίς προειδοποίηση.
- Τα τεχνικά χαρακτηριστικά ενδέχεται να διαφέρουν ανάλογα με τη χώρα.
- Βάρος σύμφωνα με τη διαδικασία EPTA 01/2003


Σύμβολο


END218-7


Τα παρακάτω παρουσιάζουν τα σύμβολα που χρησιμοποιούνται για τον εξοπλισμό. Βεβαιωθείτε ότι κατανοείτε τη σημασία τους πριν από τη χρήση.


 Διαβάστε το εγχειρίδιο οδηγιών και ακολουθήστε τις προειδοποιήσεις και τις οδηγίες ασφάλειας.

 Να φοράτε προστατευτικά ματιών.


 Να φοράτε ωτοασπίδες.


 ΔΙΠΛΗ ΜΟΝΩΣΗ


 Προσοχή: απαιτείται ιδιαίτερη φροντίδα και προσοχή!


 Προσοχή: αν το ηλεκτρικό καλώδιο είναι φθαρμένο, βγάλτε αμέσως το φως του


ηλεκτρικού καλωδίου από την πρίζα της κεντρικής ηλεκτρικής παροχής!


 Προσοχή: κλότσημα!

 Να προστατεύετε από βροχή και υγρασία!

 Να φοράτε κράνος ασφαλείας, προστατευτικά γυαλιά και ωτοασπίδες!


 Να φοράτε προστατευτικά γάντια!


 Βγάλτε το φως του ηλεκτρικού καλωδίου από την πρίζα της κεντρικής ηλεκτρικής παροχής!


 Πρώτες βοήθειες


 Μέγιστο επιτρεπτό μήκος κοπής


 Κατεύθυνση της διαδρομής αλυσίδας

 Λάδι αλυσίδας

 Φρένο αλυσίδας ανενεργό

 Φρένο αλυσίδας ενεργό

 Απαγορεύεται!

 Μόνο για τις χώρες της ΕΕ
Μην απορρίπτετε ηλεκτρικές συσκευές στον κάδο οικιακών απορριμμάτων!
Σύμφωνα με την Ευρωπαϊκή Οδηγία περί των απορριμμάτων ηλεκτρικών και ηλεκτρονικών συσκευών και την ενσωμάτωση της στο εθνικό δίκαιο, οι ηλεκτρικές συσκευές, των οποίων έχει παρέλθει ο χρόνος ωφέλιμης ζωής τους, θα πρέπει να συλλέγονται ξεχωριστά και να επιστρέφονται σε εγκαταστάσεις περιβαλλοντικής ανακύκλωσης.

Προοριζόμενη χρήση ENE085-1
Το εργαλείο προορίζεται για κοπή ξυλείας και κορμών.


Ηλεκτρική παροχή ENF002-2
Το εργαλείο πρέπει να συνδέεται μόνο σε ηλεκτρική παροχή της ίδιας τάσης με αυτήν που αναγράφεται στην πινακίδα ονομαστικών τιμών και μπορεί να λειτουργήσει μόνο με εναλλασσόμενο μονοφασικό ρεύμα. Τα εργαλεία αυτά διαθέτουν διπλή μόνωση και συνεπώς μπορούν να συνδεθούν με πρίζες χωρίς γείωση.

Για δημόσια συστήματα διανομής χαμηλής τάσης μεταξύ 220 V και 250 V. ENF100-1

Η εναλλαγή της λειτουργίας των ηλεκτρικών συσκευών προκαλεί διακυμάνσεις ηλεκτρικής τάσης. Η λειτουργία αυτής της συσκευής κάτω από δυσμενείς συνθήκες κεντρικής ηλεκτρικής παροχής μπορεί να επιδράσει αρνητικά στη λειτουργία άλλου εξοπλισμού. Όταν η αντίσταση του κεντρικού ηλεκτρικού ρεύματος είναι ίση ή μικρότερη των 0,29 Ω, μπορεί να θεωρηθεί ότι δεν θα υπάρξουν αρνητικές επιδράσεις. Η πρίζα της κεντρικής ηλεκτρικής παροχής που θα χρησιμοποιηθεί για αυτήν τη συσκευή θα πρέπει να προστατεύεται με τη χρήση ασφάλειας ή προστατευτικού διακόπτη κυκλώματος με χαρακτηριστικά αργής ενεργοποίησης.

Γενικές Προειδοποιήσεις Ασφαλείας Του Ηλεκτρικού Εργαλείου

GEA010-1

 **ΠΡΟΕΙΔΟΠΟΙΗΣΗ Διαβάστε όλες τις προειδοποιήσεις ασφαλείας και όλες τις οδηγίες.** Αν δεν ακολουθήσετε όλες τις προειδοποιήσεις και τις οδηγίες, υπάρχει κίνδυνος ηλεκτροπληξίας, πυρκαγιάς ή/και σοβαρού τραυματισμού.

Φυλάξτε όλες τις προειδοποιήσεις και τις οδηγίες για μελλοντική αναφορά.

Προειδοποιήσεις ασφαλείας αλυσοπρίονου

GEB037-8

- Κρατήστε όλα τα μέρη του σώματος μακριά από την πριονοαλυσίδα όταν αυτή βρίσκεται σε λειτουργία. Πριν θέσετε σε λειτουργία το αλυσοπρίονο, βεβαιωθείτε ότι η πριονοαλυσίδα δεν βρίσκεται σε επαφή με οποιοδήποτε αντικείμενο.** Η στιγμή αμέλειας ή έλλειψη προσοχής κατά την χρήση του αλυσοπρίονου μπορεί να προκαλέσει την εμπλοκή των ρούχων σας ή του σώματός σας στο αλυσοπρίονο.
- Πάντοτε να κρατάτε το αλυσοπρίονο με το δεξί σας χέρι στην πίσω λαβή και το αριστερό σας χέρι στην μπροστινή λαβή.** Το κράτημα του αλυσοπρίονου σε μια διάταξη με το αντίθετο χέρι αυξάνει τον κίνδυνο του προσωπικού τραυματισμού και αυτό δεν θα πρέπει να γίνεται ποτέ.
- Κρατήστε το ηλεκτρικό εργαλείο μόνο από τις μονωμένες επιφάνειες, επειδή η πριονοαλυσίδα μπορεί να έρθει σε επαφή με κρυμμένη καλωδίωση ή με το δικό του καλώδιο.** Τα αλυσοπρίονα που διαθέτουν ηλεκτροφόρο καλώδιο μπορεί να καταστήσουν τα εκτεθειμένα μεταλλικά τμήματα του ηλεκτρικού εργαλείου και αυτά ηλεκτροφόρα και να προκαλέσουν ηλεκτροπληξία στο χειριστή.
- Να φοράτε προστατευτικά γυαλιά και υποσσιδέες. Συνίσταται επιπρόσθετος προστατευτικός εξοπλισμός για το κεφάλι, τα χέρια, τα πόδια και τα πέλματα.** Ο κατάλληλος προστατευτικός ρουχισμός θα ελαττώσει τον κίνδυνο του προσωπικού τραυματισμού από τα εκτινασόμενα θραύσματα ή από την τυχαία επαφή με το αλυσοπρίονο.
- Μη χρησιμοποιείτε το αλυσοπρίονο όταν βρίσκεστε πάνω σε ένα δέντρο.** Η χρήση του αλυσοπρίονου καθώς βρίσκεστε πάνω σε δέντρο μπορεί να προκαλέσει προσωπικό τραυματισμό.
- Πάντοτε να έχετε το κατάλληλο πάτημα και να χρησιμοποιείτε το αλυσοπρίονο μόνο όταν βρίσκεστε πάνω σε μια σταθερή, ασφαλή και επίπεδη επιφάνεια.** Οι ολισθαίνουσες ή οι ασταθείς επιφάνειες όπως οι σκάλες μπορούν να προκαλέσουν την απώλεια της ισορροπίας ή του ελέγχου του αλυσοπρίονου.
- Κατά την κοπή ενός κλαδιού που βρίσκεται υπό πίεση να προσέχετε το κλότσημα.** Όταν ελευθερωθεί η πίεση από τις ίνες του ξύλου το κλαδί που βρίσκεται υπό πίεση μπορεί να χτυπήσει το χειριστή και/ή να προκαλέσει την απώλεια του ελέγχου του αλυσοπρίονου.
- Δώστε μεγάλη προσοχή κατά την κοπή θάμνων και δενδρυλλίων.** Το λεπτό υλικό μπορεί να μαγκώσει η πριονοαλυσίδα και να σας κτυπήσει ή να σας βγάλει από την ισορροπία σας.
- Μεταφέρετε το αλυσοπρίονο κρατώντας το από την μπροστινή λαβή καθώς αυτό είναι σβηστό και βρίσκεται μακριά από το σώμα σας.** Κατά την μεταφορά ή την αποθήκευση του αλυσοπρίονου πάντοτε να τοποθετείτε το κάλυμμα της οδηγικής λάμας της αλυσίδας. Ο κατάλληλος χειρισμός του αλυσοπρίονου θα ελαττώσει την

πιθανότητα της τυχαίας επαφής με την κινούμενη αλυσίδα του πριονιού.

10. **Να ακολουθείτε τις οδηγίες για τη λίπανση, το σφίξιμο της αλυσίδας και την αλλαγή των αξεσουάρ.** Το ακατάλληλο σφίξιμο ή η ακατάλληλη λίπανση της αλυσίδας μπορεί να προκαλέσει είτε το σπάσιμο της αλυσίδας ή την αυξημένη πιθανότητα κλοστήματος.
11. **Να διατηρείτε τις λαβές στεγνές, καθαρές, χωρίς λάδι και γράσο.** Οι λαβές που έχουν γράσο ή λάδια είναι ολισθηρές και προκαλούν την απώλεια του ελέγχου.
12. **Κοπή ξύλου μόνο. Να μη χρησιμοποιείτε το αλυσοπρίονο για σκοπούς για τους οποίους δεν προορίζεται. Για παράδειγμα: να μην χρησιμοποιήσετε το αλυσοπρίονο για την κοπή πλαστικού, τοιχοποιίας ή υλικών οικοδομικών υλικών που δεν είναι φτιαγμένα από ξύλο.** Αν χρησιμοποιείτε το αλυσοπρίονο για λειτουργίες διαφορετικές από αυτές για τις οποίες προορίζεται, μπορεί να προκληθεί κάποια επικίνδυνη κατάσταση.
13. **Αιτίες και αποφυγή του κλοστήματος:**

Το κλότσημα μπορεί να συμβεί όταν η μύτη ή το άκρο της οδηγητικής λάμας της αλυσίδας αγγίζει ένα αντικείμενο ή όταν το ξύλο κλείσει και μαγκώσει την πριονοαλυσίδα μέσα στην κοπή.

Η επαφή με το άκρο σε ορισμένες περιπτώσεις μπορεί να προκαλέσει το ξρφνικό ανάποδο πέταγμα, κλοτσώντας την οδηγητική λάμα της αλυσίδας προς τα πάνω και πίσω προς την μεριά του χειριστή. Το μάγκωμα της πριονοαλυσίδας κατά μήκος της κορυφής της οδηγητικής λάμας της αλυσίδας μπορεί να σπρώξει γρήγορα την οδηγητική λάμα της αλυσίδας προς τα πίσω και προς την μεριά του χειριστή.

Η οποιασδήποτε από αυτές τις αντιδράσεις μπορεί να προκαλέσει την απώλεια του ελέγχου του πριονιού ή οποία μπορεί να οδηγήσει στο σοβαρό προσωπικό τραυματισμό. Ποτέ να μην βασίζεστε αποκλειστικά στις συσκευές ασφαλείας που υπάρχουν πάνω στο πριόνι σας. Ως χρήστης του αλυσοπριονίου, θα πρέπει να λαμβάνετε ορισμένα μέτρα για να διατηρήσετε τις εργασίες κοπής ασφαλείς από ατυχήματα και τραυματισμό.

Το κλότσημα προκαλείται όταν το εργαλείο χρησιμοποιείται λανθασμένα ή/και όταν οι διαδικασίες ή οι συνθήκες λειτουργίας είναι λανθασμένες και μπορεί να αποφευχθεί αν ληφθούν οι κατάλληλες προφυλάξεις που αναφέρονται παρακάτω:

 - **Να διατηρείτε ένα σταθερό κράτημα, με τους αντίχειρες και τα δάκτυλα να βρίσκονται γύρω από τις λαβές του αλυσοπριονίου και να τοποθετείτε το σώμα και το βραχίονά σας με τρόπο ώστε να αντιστέκονται στη δύναμη του κλοστήματος.** Ο χειριστής μπορεί να ελέγχει τις δυνάμεις κλοστήματος αν λάβει τις κατάλληλες προφυλάξεις. Μην τις αφήσετε να εκδηλωθούν από το αλυσοπρίονο. (Εικ. 1)
 - **Μην προεκτείνεστε και μην κόβετε πάνω από το ύψος του ώμου σας.** Αυτό βοηθά στην αποφυγή της τυχαίας επαφής του άκρου και καθιστά τον καλύτερο έλεγχο του αλυσοπριονίου σε απρόσμενες καταστάσεις.

- **Να χρησιμοποιείτε μόνο ανταλλακτικές λάμες και αλυσίδες που καθορίζονται από τον κατασκευαστή.** Οι λανθασμένες ανταλλακτικές λάμες και οι αλυσίδες μπορεί να προκαλέσουν το σπάσιμο της αλυσίδας και/ή το κλότσημα.
- **Να ακολουθείτε τις οδηγίες του κατασκευαστή για το ακόνισμα και την συντήρηση του αλυσοπριονίου.** Η ελάττωση του ύψους του ρυθμιστή βάρους μπορεί να οδηγήσει στα αυξημένα κλοστήματα.

ΠΡΟΣΘΕΤΟΙ ΚΑΝΟΝΕΣ ΑΣΦΑΛΕΙΑΣ

1. Διαβάστε το εγχειρίδιο οδηγιών για να εξοικειωθείτε με τη λειτουργία του αλυσοπριονίου.
2. Πριν χρησιμοποιήσετε το αλυσοπρίονο για πρώτη φορά, φροντίστε ώστε να εκπαιδευτείτε σε ό,τι αφορά τη λειτουργία του. Αν κάτι τέτοιο δεν είναι δυνατόν, τουλάχιστον εξασκηθείτε κόβοντας στρογγυλή ξυλεία επάνω σε τρίποδο πριν ξεκινήσετε την εργασία.
3. Το αλυσοπρίονο δεν πρέπει να χρησιμοποιείται από παιδιά και νέους κάτω των 18 ετών. Εξαιρούνται από αυτήν την απαγόρευση οι νέοι άνω των 16 ετών που εκπαιδεύονται υπό την επίβλεψη ειδικού.
4. Η εργασία με το αλυσοπρίονο απαιτεί μεγάλο βαθμό συγκέντρωσης. Μην εργάζεστε με το αλυσοπρίονο σε περίπτωση που αισθάνεστε αδυναμία ή δεν αισθάνεστε καλά. Να διεξάγετε κάθε εργασία με ηρεμία και προσοχή.
5. Μην εργάζεστε ποτέ υπό την επήρεια αλκοόλ, ναρκωτικών ουσιών ή φαρμάκων.

Σωστή χρήση

1. Το αλυσοπρίονο προορίζεται αποκλειστικά και μόνο για κοπή ξύλου. Μην χρησιμοποιείτε το αλυσοπρίονο, παραδείγματα χάριν, για να κόβετε πλαστικό υλικό ή πορώδεις τοιμέντο.
2. Να χρησιμοποιείτε το αλυσοπρίονο μόνο για εργασίες που περιγράφονται στο παρόν εγχειρίδιο οδηγιών. Για παράδειγμα, **μην** το χρησιμοποιείτε για να κλαδεύετε θάμνους ή για παρόμοιους σκοπούς.
3. Δεν θα πρέπει να χρησιμοποιείτε το αλυσοπρίονο για δασοκομικές εργασίες, δηλαδή για ρίψη και κλάδεμα δέντρων. Το καλώδιο του αλυσοπριονίου δεν παρέχει στο χειριστή την ευκίνησία και την ασφάλεια που απαιτούνται για τέτοιο είδους εργασίες.
4. Το αλυσοπρίονο δεν προορίζεται για εμπορική χρήση.
5. Μην υπερφορτώνετε το αλυσοπρίονο.

Προσωπικός προστατευτικός εξοπλισμός

1. Ο ρουχισμός πρέπει να είναι εφαρμοστός, αλλά να μην εμποδίζει την κίνηση.
2. Να φοράτε τον παρακάτω προστατευτικό ρουχισμό κατά τη διάρκεια των εργασιών:
 - Δοκιμασμένο κράνος ασφαλείας, σε περίπτωση που υπάρχει κίνδυνος από κλαριά που πέφτουν, ή παρόμοιο,
 - Προσωπικό ή προστατευτικό γυαλιά,
 - Κατάλληλες ωτοασπίδες (τύπου ακουστικών, συμβατικές ή προσαρμοσμένες ωτοασπίδες). Ανάλυση ζώνης οκτάβας, κατόπιν αιτήσεως.

- Ανθεκτικά, δερμάτινα προστατευτικά γάντια,
- Μακρύ παντελόνι κατασκευασμένο από ανθεκτικό ύφασμα,
- Προστατευτική φόρμα εργασίας από ύφασμα ανθεκτικό στο σχίσιμο,
- Παπούτσια ή μπότες με αντιολισθητικούς πάτους, αστάβινες μύτες και εσωτερική επένδυση από ύφασμα ανθεκτικό στο σχίσιμο,
- Αναπνευστική μάσκα, όταν εκτελείτε εργασίες κατά τις οποίες παράγεται σκόνη (π.χ. πριονίσματα στεγνού ξύλου).

Προστασία από την πρόκληση ηλεκτροπληξίας



Μη χρησιμοποιείτε το αλυσοπρίονο όταν ο καιρός είναι βροχερός ή σε υγρά περιβάλλοντα επειδή το ηλεκτρικό μοτέρ δεν είναι αδιάβροχο.

1. Να συνδέετε το πριόνι μόνο σε πρίζες με δοκιμασμένα ηλεκτρικά κυκλώματα. Ελέγξτε ότι η τάση του συστήματος αντιστοιχεί σε αυτήν που αναγράφεται στην πινακίδα ονομαστικών τιμών. Βεβαιωθείτε ότι το εργαλείο προστατεύεται από ασφάλεια γραμμής 16 A. Τα πριόνια που χρησιμοποιούνται σε εξωτερικό χώρο πρέπει να είναι συνδεδεμένα με ασφάλεια κυκλώματος που λειτουργεί με παραμένον ηλεκτρικό ρεύμα, με λειτουργικό ηλεκτρικό ρεύμα που δεν υπερβαίνει τα 30 mA.



Αν το καλώδιο σύνδεσης υποστεί βλάβη, βγάλτε το φως του ηλεκτρικού καλωδίου από την πρίζα της κεντρικής ηλεκτρικής παροχής.

Πρακτικές για ασφαλή εργασία

1. Πριν αρχίσετε την εργασία, ελέγξτε ότι το αλυσοπρίονο λειτουργεί σωστά και ότι η κατάσταση στην οποία βρίσκεται συμμορφώνεται με τους κανονισμούς ασφαλείας. Συγκεκριμένα ελέγξτε ότι:
 - Το άμεσο φρένο αλυσίδας λειτουργεί σωστά,
 - Η διάταξη διακοπής εργαλείου λειτουργεί σωστά,
 - Ο οδηγός και το κάλυμμα οδοντωτού τροχού είναι τοποθετημένα σωστά,
 - Η αλυσίδα έχει συντηρηθεί σύμφωνα με τους κανονισμούς που αφορούν το ακόνισμα και το τάνυσμά της,
 - Το κεντρικό καλώδιο και το φως δεν έχουν υποστεί βλάβη.

Ανατρέξτε στην ενότητα “ΕΛΕΓΧΟΙ”.

2. Συγκεκριμένα, να βεβαιώνετε πάντοτε ότι το καλώδιο επέκτασης (μπαλαντζά) που χρησιμοποιείτε έχει κατάλληλη διατομή (βλ. “ΠΡΟΔΙΑΓΡΑΦΕΣ”). Όταν χρησιμοποιείτε καρούλι ηλεκτρικού καλωδίου, να ξετυλίγετε το ηλεκτρικό καλώδιο εντελώς από το καρούλι. Όταν χρησιμοποιείτε το πριόνι σε ανοιχτό χώρο, να βεβαιώνετε ότι το ηλεκτρικό καλώδιο που χρησιμοποιείτε προορίζεται για χρήση σε ανοιχτό χώρο και έχει την κατάλληλη ονομαστική τάση.
3. Κρατήστε το καλώδιο μακριά από την περιοχή κοπής και τοποθετήστε το έτσι ώστε να μην πιαστεί στα κλαδιά και σε παρόμοια αντικείμενα κατά τη διάρκεια της κοπής.
4. Μην θέτετε το αλυσοπρίονο σε λειτουργία κοντά σε εύφλεκτη σκόνη ή αέρια επειδή το μοτέρ παράγει σπινθήκες και υπάρχει **κίνδυνος έκρηξης**.
5. Να εργάζεστε μόνο σε σταθερό έδαφος και να στέκεστε καλά. Να προσέχετε ιδιαίτερα τα εμπόδια

(π.χ. το ηλεκτρικό καλώδιο) στην περιοχή εργασίας. Να προσέχετε ιδιαίτερα στις περιοχές όπου ενδέχεται να δημιουργηθούν ολισθηρές επιφάνειες εξαιτίας υγρασίας, πάγου, χιονιού, φρεσκοκομμένου ξύλου ή φλοιών από δέντρα. Μη χρησιμοποιείτε το αλυσοπρίονο όταν βρίσκατε επάνω σε σκάλες ή επάνω σε δέντρα.

6. Να προσέχετε ιδιαίτερα όταν εργάζεστε σε εδάφη με κλίση. Οι κορμοί και τα κλαριά αποτελούν πιθανό κίνδυνο αν κυλήσουν.
7. Ποτέ μην κόβετε επάνω από το ύψος του ώμου σας.
8. **Όταν ανάβετε και χρησιμοποιείτε το αλυσοπρίονο, να το κρατάτε και με τα δύο χέρια.** Να κρατάτε την πίσω λαβή με το δεξί χέρι σας και την μπροστινή λαβή με αριστερό χέρι σας. Να κρατάτε τις λαβές σταθερά με τους αντίχειρές σας. Όταν ενεργοποιείτε το αλυσοπρίονο, η οδηγητική λάμα και η αλυσίδα δεν πρέπει να έρχονται σε επαφή με οποιοδήποτε αντικείμενο. **(Εικ. 1)**
9. Καθαρίστε την περιοχή που θα κόψετε από ξένα αντικείμενα όπως άμμο, πέτρες, καρφιά, σύρμα κτλ. Τα ξένα αντικείμενα προκαλούν βλάβη στην οδηγητική λάμα και στην αλυσίδα και μπορεί να προκαλέσουν επικίνδυνο κλότσημα.
10. Να προσέχετε ιδιαίτερα όταν κόβετε κοντά σε συρματένιους φράκτες. Μην κόβετε μέσα στο φράκτη επειδή το αλυσοπρίονο μπορεί να κλοτσήσει.
11. Μην κόβετε μέσα στο έδαφος.
12. Να κόβετε το ξύλο ξεχωριστά, και όχι σε δέσμες ή στοίβες.
13. Να αποφεύγετε να χρησιμοποιείτε το αλυσοπρίονο για να κόψετε λεπτά κλαριά ή ρίζες επειδή αυτά μπορεί να μπλεχτούν μέσα στο αλυσοπρίονο. Η απώλεια της ισορροπίας αποτελεί κίνδυνο.
14. Χρησιμοποιήστε ασφαλές στήριγμα (τρίποδο) όταν κόβετε ήδη κομμένη ξυλεία.
15. Μη χρησιμοποιείτε το αλυσοπρίονο για να αποσπάτε ή να παραμερίζετε κομμάτια ξύλου ή άλλα αντικείμενα.
16. Να καθοδηγείτε το αλυσοπρίονο με τέτοιο τρόπο ώστε κανένα μέλος του σώματός σας να μη βρίσκεται εντός της εκτεταμένης διαδρομής της πριονοαλυσίδας (δείτε την εικόνα). **(Εικ. 2)**
17. Όταν μετακινείστε κατά τα διαστήματα που μεσολαβούν ανάμεσα από τις εργασίες πριονίσματος, να εφαρμόζετε το φρένο της αλυσίδας ώστε να αποτρέπεται η τυχαία λειτουργία της αλυσίδας. Όταν μεταφέρετε το αλυσοπρίονο, κρατήστε το από την μπροστινή λαβή και κρατήστε το δάκτυλο σας μακριά από το διακόπτη.
18. Να αποσυνδέετε το εργαλείο από την κεντρική ηλεκτρική παροχή όταν κάνετε διαλείμματα και όταν δεν το επιτρέπει. Να αφήνετε το αλυσοπρίονο σε μέρος στο οποίο δεν θα αποτελέσει κίνδυνο.

Κλότσημα


1. Κατά την εργασία με το αλυσοπρίονο ενδέχεται να παρουσιαστεί κλότσημα. Το κλότσημα προκύπτει όταν η μύτη της οδηγητικής λάμας (συγκεκριμένα το μπροστινό τέταρτο) έρθει σε επαφή με το ξύλο ή άλλο συμπαγές αντικείμενο. Αυτό προκαλεί την άμεση εκτροπή του αλυσοπρίονου προς την κατεύθυνση που χειριστή. **(Εικ. 3)**
2. Για να αποφεύγετε το κλότσημα, να τηρείτε τις παρακάτω οδηγίες:

- Μην ξεκινάτε ποτέ να κόβετε με τη μύτη της οδηγητικής λάμας.
- Μη χρησιμοποιείτε ποτέ τη μύτη της οδηγητικής λάμας για κοπή. Να είσατε ιδιαίτερα προσεχτικοί όταν συνεχίζετε κοπές που είχατε αφήσει στη μέση.
- Ξεκινήστε την κοπή με την αλυσίδα να περιστρέφεται.
- Να ακονίζετε πάντοτε σωστά την αλυσίδα. Συγκεκριμένα, προσαρμόστε το ρυθμιστή βάθους στο κατάλληλο ύψος.
- Μην πριονίζετε ποτέ περισσότερα από ένα κλαρί ταυτόχρονα.
- Όταν κλαδεύετε, να είστε ιδιαίτερα προσεχτικοί ώστε η οδηγητική λάμα να μην έρχεται σε επαφή με άλλα κλαριά.
- Όταν τεμαχίζετε, να μην πλησιάζετε γειτονικούς κορμούς. Πάντοτε να έχετε το νου σας στη μύτη της οδηγητικής λάμας της αλυσίδας.
- Να χρησιμοποιείτε τρίποδο.

Διατάξεις ασφάλειας

1. Πριν αρχίζετε την εργασία, να ελέγχετε πάντοτε ότι οι διατάξεις ασφάλειας λειτουργούν σωστά. Μην χρησιμοποιείτε το αλυσοπρίονο αν οι διατάξεις ασφάλειας δεν λειτουργούν σωστά.
- **Φρένο αλυσίδας:**
Το αλυσοπρίονο διαθέτει άμεσο φρένο αλυσίδας το οποίο ακινητοποιεί την πριονοαλυσίδα μέσα σε κλάσματα δευτερολέπτου. Ενεργοποιείται όταν πιέζετε το προστατευτικό χεριού προς τα μπροστά. Η πριονοαλυσίδα θα ακινητοποιηθεί εντός 0,15 δευτερολέπτου και θα διακοπεί η ηλεκτρική παροχή στο μωτέρ. **(Εικ. 4)**
- **Διάταξη διακοπής εργαλείου:**
Το αλυσοπρίονο διαθέτει διάταξη διακοπής εργαλείου η οποία ακινητοποιεί αμέσως την πριονοαλυσίδα όταν αφήνεται το διακόπτη λειτουργίας ON/OFF. Έτσι, εμποδίζεται η περιστροφή της πριονοαλυσίδας όταν το εργαλείο είναι απενεργοποιημένο, γεγονός που αποτελεί κίνδυνο.
- **Το μπροστινό και το πίσω προστατευτικό χεριού** προστατεύουν το χειριστή από τραυματισμό λόγω των κομματιών ξύλου που μπορεί να εκτοξευτούν προς τα πίσω ή λόγω του σπασίματος της πριονοαλυσίδας.
- **Το κλειδώμα της σκανδάλης** εμποδίζει την τυχαία ενεργοποίηση του αλυσοπρίονου.
- **Ο συγκρατήρας αλυσίδας** προστατεύει το χειριστή από τραυματισμό σε περίπτωση που η αλυσίδα αναπηδήσει ή σπάσει.


Μεταφορά και αποθήκευση

-  Όταν το αλυσοπρίονο δεν χρησιμοποιείται ή όταν αυτό μεταφέρεται, αποσυνδέστε το από την κεντρική ηλεκτρική παροχή και προσαρμόστε το κάλυμμα της οδηγητικής λάμας της αλυσίδας που παρέχεται με το πριόνι. Ποτέ μη μεταφέρετε το πριόνι με την πριονοαλυσίδα να περιστρέφεται.
1. Να μεταφέρετε το αλυσοπρίονο μόνο από την μπροστινή λαβή, με τον οδηγό στραμμένο προς τα πίσω.
 2. Να φυλάσσετε το αλυσοπρίονο σε ασφαλές, στεγνό και κλειδωμένο χώρο, μακριά από παιδιά. Μην αποθηκεύετε το αλυσοπρίονο σε εξωτερικό χώρο.

Συντήρηση

1. Βγάζετε το φιλτράκι του ηλεκτρικού καλωδίου από την πρίζα πριν εκτελέσετε οποιαδήποτε εργασία ρύθμισης ή συντήρησης.
2. Να ελέγχετε τακτικά το ηλεκτρικό καλώδιο για φθορές στη μόνωση.
3. Να καθαρίζετε τακτικά το αλυσοπρίονο.
4. Να φροντίζετε ώστε να επισκευάζονται σωστά και άμεσα τυχόν βλάβες στο πλαστικό περίβλημα.
5. Μη χρησιμοποιείτε το πριόνι εάν η σκανδάλη-διακόπτης δεν λειτουργεί σωστά. Να φροντίζετε ώστε να είναι επισκευασμένη σωστά.
6. Σε καμία περίπτωση μην εκτελέσετε οποιαδήποτε τροποποίηση στο αλυσοπρίονο. Θέτετε σε κίνδυνο την ασφάλειά σας.
7. Μην εκτελείτε εργασίες συντήρησης ή επισκευής διαφορετικές από αυτές που περιγράφονται στο παρόν χειρίδιο οδηγίων. Οποιοσδήποτε άλλες εργασίες πρέπει να εκτελούνται από εξουσιοδοτημένα κέντρα σέρβις.
8. Να χρησιμοποιείτε μόνο γνήσια ανταλλακτικά και αξεσουάρ που προορίζονται για το συγκεκριμένο μοντέλο αλυσοπρίονου. Αν χρησιμοποιήσετε άλλα εξαρτήματα, αυξάνεται ο κίνδυνος ατυχήματος.
9. Δεν αναλαμβάνουμε καμία ευθύνη για ατυχήματα και βλάβες που προέκυψαν λόγω της χρήσης μη εγκριμένων οδηγητικών λαμών της αλυσίδας, πριονοαλυσίδων ή άλλων ανταλλακτικών και αξεσουάρ.

Πρώτες βοήθειες

 Να μην εργάζεστε μόνοι. Να εργάζεστε πάντοτε σε μέρος απ' όπου θα μπορούσατε να καλέσετε για βοήθεια ένα δεύτερο άτομο.

1. Να έχετε πάντοτε κοντά σας κοutti πρώτων βοηθειών. Να αντικαθιστάτε αμέσως ο,τιδήποτε χρησιμοποιείτε από αυτό.
2. Να χρειαστείτε βοήθεια σε περίπτωση ατυχήματος, να δηλώσετε τα παρακάτω:
 - Πού συνέβη το ατύχημα;
 - Τι συνέβη;
 - Πόσα άτομα τραυματίστηκαν;
 - Τι τραυματισμούς φέρουν;
 - Ποιος αναφέρει το ατύχημα;

ΣΗΜΕΙΩΣΗ:

Τα άτομα με κακό κυκλοφορικό σύστημα ή που εκτίθενται σε υπερβολικούς κραδασμούς μπορεί να παρουσιάσουν βλάβη στα αιμοφόρα αγγεία ή στο νευρικό σύστημα.

Οι κραδασμοί ενδέχεται να προκαλέσουν τα ακόλουθα συμπτώματα στα δάχτυλα, τα χέρια ή τους καρπούς: “Κοίμισμα” (μούδιασμα), μυρμηγκιασμα, πόνο, σουβλιές, αλλαγή χρώματος του δέρματος.

Εάν έχετε οποιαδήποτε από αυτά τα συμπτώματα, δείτε ένα γιατρό!

ΦΥΛΑΞΤΕ ΑΥΤΕΣ ΤΙΣ ΟΔΗΓΙΕΣ.

ΠΡΟΕΙΔΟΠΟΙΗΣΗ:

ΜΗΝ επιτρέψετε στη βολικότητα ή στην εξοικειώσή σας με το προϊόν (που αποκτήθηκε από επανειλημμένη χρήση) να αντικαταστήσει την αυστηρή προσήλωση στους κανόνες ασφάλειας του

εν λόγω προϊόντος. Η ΛΑΝΘΑΣΜΕΝΗ ΧΡΗΣΗ ή η μη τήρηση των κανόνων ασφαλείας που διατυπώνονται στο παρόν εγχειρίδιο οδηγιών μπορεί να προκαλέσει σοβαρό τραυματισμό.

ΠΕΡΙΓΡΑΦΗ ΜΕΡΩΝ (Εικ. 5)

ΣΥΝΑΡΜΟΛΟΓΗΣΗ

ΠΡΟΣΟΧΗ:

- Να βεβαιώνετε πάντοτε ότι το εργαλείο είναι σβηστό και αποσυνδεδεμένο από το ηλεκτρικό ρεύμα πριν εκτελέσετε οποιαδήποτε εργασία σε αυτό.

Αφαίρεση ή τοποθέτηση της πριονοαλυσίδας

ΠΡΟΣΟΧΗ:

- Να φοράτε πάντοτε γάντια όταν τοποθετείτε ή αφαιρείτε την πριονοαλυσίδα.

Για να αφαιρέσετε την πριονοαλυσίδα εκτελέστε τα παρακάτω βήματα:

1. Πιέστε και ανοίξτε πλήρως το μοχλό έως ότου σταματήσει. **(Εικ. 6)**
2. Γυρίστε το μοχλό αριστερόστροφα για να χαλαρώσει το καπάκι του οδοντωτού τροχού, μέχρι να ξεκολλήσει.
3. Περιστρέψτε προς την κατεύθυνση “-” τον επιλογέα ρύθμισης για να χαλαρώσετε την τάση της πριονοαλυσίδας. **(Εικ. 7)**
4. Αφαίρεση του καλύμματος οδοντωτού τροχού.
5. Βγάλτε την πριονοαλυσίδα και την οδηγητική λάμα της αλυσίδας από το αλυσοπρίονο.

Για να τοποθετήσετε την πριονοαλυσίδα εκτελέστε τα παρακάτω βήματα:

6. Βεβαιωθείτε για την διεύθυνση της αλυσίδας. Το σημάδι του βέλους πάνω στην αλυσίδα δείχνει τη διεύθυνση της αλυσίδας. **(Εικ. 8)**
7. Προσαρμόστε το ένα άκρο της πριονοαλυσίδας στο επάνω μέρος της οδηγητικής λάμας της αλυσίδας και το άλλο άκρο γύρω από τον οδοντωτό τροχό.
8. Ακουμπήστε την οδηγητική λάμα της αλυσίδας στη θέση του επάνω στο αλυσοπρίονο.
9. Ευθυγραμμίστε το κλείστρο τάσης με την οπή της οδηγητικής λάμας της αλυσίδας. **(Εικ. 9)**
10. Κρατώντας την οδηγητική λάμα της αλυσίδας και γυρίζοντας τον επιλογέα ρύθμισης στην κατεύθυνση “+”, ρυθμίστε την τάση της πριονοαλυσίδας.
11. Τοποθετήστε το κάλυμμα του οδοντωτού τροχού, έτσι ώστε τα άγκιστρα να ταιριάζουν παράλληλα με τις οπές και ο πείρος να ταιριάζει με το αντίστοιχο του στο κάλυμμα του οδοντωτού τροχού. **(Εικ. 10)**
12. Περιστρέψτε το μοχλό αριστερόστροφα για ασφάλιση του καλύμματος του οδοντωτού τροχού. **(Εικ. 11)**
13. Πιέστε και επιστρέψτε το μοχλό στην αρχική του θέση.

Ρύθμιση τάσης της πριονοαλυσίδας

Η πριονοαλυσίδα μπορεί να χαλαρώσει μετά από αρκετές ώρες χρήσης. Να ελέγχετε κατά διαστήματα την τάση της πριονοαλυσίδας πριν από τη χρήση.

1. Πιέστε και ανοίξτε πλήρως το μοχλό έως ότου κάνει κλικ. Περιστρέψτε τον αριστερόστροφα για λίγο ώστε να χαλαρώσει ελαφρά το κάλυμμα του οδοντωτού τροχού. **(Εικ. 6)**

2. Ανυψώστε ελαφρά την οδηγητική λάμα της αλυσίδας. **(Εικ. 12)**
3. Περιστρέψτε τον επιλογέα ρύθμισης για να ρυθμίσετε την τάση της πριονοαλυσίδας. Σφίξτε την πριονοαλυσίδα έως ότου η κάτω πλευρά της πριονοαλυσίδας να ταιριάζει στη ράγα της οδηγητικής λάμας της αλυσίδας (δείτε τον κύκλο).
4. Συνεχίστε να κρατάτε ελαφρά την οδηγητική λάμα της αλυσίδας, σφίξτε το κάλυμμα του οδοντωτού τροχού μετά τη ρύθμιση της τάσης της αλυσίδας. Βεβαιωθείτε ότι η πριονοαλυσίδα δεν είναι χαλαρή στην κάτω πλευρά.
5. Πιέστε και επιστρέψτε το μοχλό στην αρχική του θέση. **(Εικ. 13)**

Βεβαιωθείτε ότι η πριονοαλυσίδα εφαρμόζει άνετα στην κάτω πλευρά της λάμας.

ΠΡΟΣΟΧΗ:

- Μην σφίξτε πάρα πολύ την πριονοαλυσίδα. Η υπερβολική τάση της πριονοαλυσίδας ενδέχεται να προκαλέσει το σπάσιμό της, τη φθορά της οδηγητικής λάμας της αλυσίδας και το σπάσιμο του επιλογέα ρύθμισης.
- Εάν η αλυσίδα είναι πολύ χαλαρή, μπορεί να αναπηδηήσει από την οδηγητική λάμα της αλυσίδας και συνεπώς αποτελεί κίνδυνο ατυχήματος.
- Εκτελέστε η διαδικασία για την εγκατάσταση ή την αφαίρεση της πριονοαλυσίδας σε καθαρό χώρο, απαλλαγμένο από πριονίδι και παρόμοια υλικά.

Σύνδεση καλωδίου προέκτασης

ΠΡΟΣΟΧΗ:

- Να βεβαιώνετε ότι το καλώδιο προέκτασης είναι αποσυνδεδεμένο από την ηλεκτρική παροχή. **(Εικ. 14)**
- Κατά την σύνδεση του καλωδίου προέκτασης, στερεώστε το στο καλώδιο του αλυσοπρίονου με τον γάντζο του καλωδίου.
- Στερεώστε τον γάντζο του καλωδίου περίπου στα 100-200 mm από το σύνδεσμο του καλωδίου προέκτασης. Αυτό αποτρέπει την τυχαία αποσύνδεση.

ΛΕΙΤΟΥΡΓΙΑ

Δράση διακόπτη (Εικ. 15)

ΠΡΟΣΟΧΗ:

- Να βεβαιώνετε πάντοτε ότι το εργαλείο είναι σβηστό και αποσυνδεδεμένο από το ηλεκτρικό ρεύμα πριν ελέγξετε τη λειτουργία της σκανδάλης-διακόπτης.
- Πριν συνδέσετε το εργαλείο στο ρεύμα, πάντοτε να ελέγχετε ότι η σκανδάλη-διακόπτης ενεργοποιείται κανονικά και επιστρέφει στη θέση “OFF” όταν την αφήνετε.

ΣΗΜΕΙΩΣΗ:

- Μην το ανοιγοκλείνετε πολύ συχνά μέσα σε ένα σύντομο χρονικό διάστημα (πέντε δευτερόλεπτα ή λιγότερο). Η θερμοκρασία μέσα στο εργαλείο θα αυξηθεί και μπορεί να προκληθεί βλάβη στο εργαλείο. Ο χρόνος διαφέρει ανάλογα με την ατμοσφαιρική θερμοκρασία και από άλλες συνθήκες. **(Εικ. 16)**
- Για να μην τραβιέται η σκανδάλη-διακόπτης κατά λάθος, παρέχεται ένα κουμπάκι ασφάλισης.
- Για να ξεκινήσετε τη λειτουργία του εργαλείου, πιέστε το κουμπάκι ασφάλισης και τραβήξτε τη σκανδάλη-διακόπτης.

Για να σταματήσετε το εργαλείο, αφήστε τη σκανδάλη-διακόπτη.

Λίπανση

ΠΡΟΣΟΧΗ:

- Να βεβαιώνετε πάντοτε ότι το εργαλείο είναι σβηστό και αποσυνδεδεμένο από το ηλεκτρικό ρεύμα πριν από τη λίπανση της πριονοαλυσίδας.

Να λιπαίνετε την πριονοαλυσίδα και την οδηγητική λάμα της αλυσίδας με βιοαποικοδομήσιμο λάδι για πριονοαλυσίδες με συγκολλητικό παράγοντα. Ο συγκολλητικός παράγοντας εμποδίζει τη γρήγορη αποβολή του λαδιού της πριονοαλυσίδας από το πριόνι. Μη χρησιμοποιείτε ορυκτέλαια επειδή είναι βλαβερά για το περιβάλλον. **(Εικ. 17)**

ΠΡΟΣΟΧΗ:

- Να αποφεύγετε την επαφή του λιπαντικού με το δέρμα και τα μάτια. Η επαφή με τα μάτια προκαλεί ερεθισμό. Σε περίπτωση επαφής με τα μάτια, ξεπλύνετε αμέσως το προσβεβλημένο μάτι με καθαρό νερό και κατόπιν συμβουλευτείτε αμέσως γιατρό.
- Μη χρησιμοποιείτε ποτέ απόβλητα λάδια. Τα απόβλητα λάδια περιέχουν καρκινογόνες ουσίες. Τα μολυσμένα απόβλητα προκαλούν γρήγορη φθορά στην αντλία λαδιού, τον οδηγό και την αλυσίδα. Τα απόβλητα λάδια είναι βλαβερά για το περιβάλλον.
- Κατά την πρώτη πλήρωση του αλυσοπριόνου με λάδι αλυσίδας ή σε επακόλουθη πλήρωση του δοχείου όταν αυτό έχει αδειάσει εντελώς, προσθέστε λάδι μέχρι το κάτω μέρος του στομίου πλήρωσης. Διαφορετικά, η διανομή λαδιού ενδέχεται να μη γίνει σωστά.

Για να γεμίσετε το λάδι εκτελέστε τα παρακάτω βήματα: **(Εικ. 18)**

1. Καθαρίστε καλά την περιοχή γύρω από την τάπα πλήρωσης λαδιού για να αποφύγετε την είσοδο ακαθαρσιών στο δοχείο λαδιού.
2. Ξεβιδώστε την τάπα πλήρωσης λαδιού και προσθέστε λάδι έως το κατώτερο άκρο του στομίου πλήρωσης.
3. Βιδώστε καλά την τάπα πλήρωσης λαδιού ξανά στη θέση της.
4. Σκουπίστε προσεχτικά τυχόν χυμένο λάδι αλυσίδας.

ΣΗΜΕΙΩΣΗ:

- Όταν χρησιμοποιήσετε το αλυσοπριόνιο για πρώτη φορά, μπορεί να χρειαστούν έως δύο λεπτά για να επιδράσει το λάδι αλυσίδας στο μηχανισμό του πριονιού. Αφήστε το πριόνι να λειτουργήσει χωρίς φορτίο έως ότου αρχίσει η επίδραση λίπανσης (βλ. "ΕΛΕΓΧΟΙ").

ΕΛΕΓΧΟΙ

Πριν ξεκινήσετε την εργασία, εκτελέστε τους παρακάτω ελέγχους:

Έλεγχος του τέντωσης της αλυσίδας

ΠΡΟΕΙΔΟΠΟΙΗΣΗ:

- Να αποσυνδέετε πάντοτε το εργαλείο από την κεντρική ηλεκτρική παροχή πριν ελέγξετε το τέντωμα της αλυσίδας και να φοράτε προστατευτικά γάντια. Βεβαιωθείτε ότι η πριονοαλυσίδα εφαρμόζει άνετα στην κάτω πλευρά της λάμας (δείτε τον κύκλο). **(Εικ. 12)**

Να ελέγχετε τακτικά την τάνυση της αλυσίδας επειδή οι καινούργιες αλυσίδες έχουν την τάση να επιμηκύνονται. Η υπερβολική τάνυση της πριονοαλυσίδας ενδέχεται να προκαλέσει το σπάσιμο της, τη φθορά της οδηγητικής λάμας της αλυσίδας και το σπάσιμο του επιλογέα ρύθμισης.

Εάν η αλυσίδα είναι πολύ χαλαρή, μπορεί να αναπηδήσει από την οδηγητική λάμα της αλυσίδας και συνεπώς αποτελεί κίνδυνο ατυχήματος.

Αν η αλυσίδα είναι πολύ χαλαρή: Ανατρέξτε στην ενότητα με τίτλο "Ρύθμιση τάνυσης της πριονοαλυσίδας" και ρυθμίστε ξανά την τάνυση της πριονοαλυσίδας.

Έλεγχος της δράσης διακόπτη

ΠΡΟΣΟΧΗ:

Πριν συνδέετε το εργαλείο, πάντοτε να ελέγχετε ότι η σκανδάλη-διακόπτης ενεργοποιείται κανονικά και επιστρέφει στη θέση "OFF" όταν την αφήνετε.

Για να μην τραβιέται η σκανδάλη-διακόπτης κατά λάθος, παρέχεται ένα κουμπί ασφάλισης.

Για να ξεκινήσετε τη λειτουργία του εργαλείου, πιάστε το κουμπί ασφάλισης και τραβήξτε τη σκανδάλη-διακόπτης. Για να σταματήσετε το εργαλείο, αφήστε τη σκανδάλη-διακόπτη.

Μην τραβήξετε δυνατά τη σκανδάλη διακόπτης χωρίς να πιάσετε το κουμπί ασφάλισης. Αυτό μπορεί να προκαλέσει το σπάσιμο του διακόπτη.

Έλεγχος άμεσου φρένου αλυσίδας

ΣΗΜΕΙΩΣΗ:

- Αν το αλυσοπριόνιο δεν ξεκινά, ελέγξτε αν έχει ελευθερωθεί το φρένο της αλυσίδας. Για να ελευθερώσετε το φρένο της αλυσίδας, τραβήξτε προς τα πίσω καλά το προστατευτικό χεριού έως ότου να αισθανθείτε ότι έχει δεσμευτεί. **(Εικ. 19 & 20)**

Ελέγξτε τη το φρένο της αλυσίδας ως εξής:

1. Όταν ανάβετε το αλυσοπριόνιο να το κρατάτε και με τα δύο χέρια. Να κρατάτε την πίσω λαβή με το δεξί χέρι σας και την μπροστινή λαβή με αριστερό χέρι σας. Βεβαιωθείτε ότι η οδηγητική λάμα της αλυσίδας και η αλυσίδα δεν βρίσκονται σε επαφή με κανένα αντικείμενο.
2. Πιάστε πρώτα το κουμπί ασφάλισης και κατόπιν τη σκανδάλη-διακόπτη. Το αλυσοπριόνιο θα ξεκινήσει αμέσως.
3. Πιάστε το μπροστινό προστατευτικό χεριού προς τα μπροστά με το πίσω μέρος του χεριού σας. Βεβαιωθείτε ότι η αλυσοπριόνιο σταματά αμέσως.

ΠΡΟΣΟΧΗ:

- Αν το αλυσοπριόνιο δεν σταματά αμέσως μην το χρησιμοποιήσετε σε καμία περίπτωση. Επικοινωνήστε με ένα εξουσιοδοτημένο κέντρο εξυπηρέτησης της Makita.

Έλεγχος της διάταξης διακοπής εργαλείου

Ανάψτε το αλυσοπριόνιο.

Αφήστε εντελώς τη σκανδάλη-διακόπτη. Βεβαιωθείτε ότι το αλυσοπριόνιο σταματά εντός δευτερολέπτου.

ΠΡΟΣΟΧΗ:

- Αν το αλυσοπρίονο δεν σταματά αμέσως μην το χρησιμοποιήσετε σε καμία περίπτωση. Επικοινωνήστε με ένα εξουσιοδοτημένο κέντρο εξυπηρέτησης της Makita.

Έλεγχος του λιπαντή της αλυσίδας

Πριν ξεκινήσετε οποιαδήποτε εργασία, ελέγξτε τη στάθμη λαδιού στο δοχείο και τη διανομή λαδιού.

Μπορείτε να δείτε τη στάθμη λαδιού μέσα από το διαφανές παραθυράκι λαδιού που απεικονίζεται στην εικόνα. (Εικ. 21)

Ελέγξτε τη διανομή λαδιού ως εξής:

Ξεκινήστε το αλυσοπρίονο.

Με το πριόνι σε λειτουργία, κρατήστε την πριονοαλυσίδα περίπου 15 cm πάνω από το κορμό ενός δέντρου ή το έδαφος. Εάν η λίπανση είναι επαρκής, ο ψεκασμός λαδιού θα αφήσει ένα ελαφρύ ίχνος λαδιού.

Προσέξτε την κατεύθυνση του αέρα και μην εκτίθεστε άσκοπα στον ψεκασμό λαδιού.

ΠΡΟΣΟΧΗ:

- Εάν δεν σχηματιστεί ίχνος λαδιού, μη χρησιμοποιήσετε το πριόνι. Διαφορετικά, θα μειωθεί η διάρκεια ζωής της αλυσίδας. Ελέγξτε τη στάθμη λαδιού. Καθαρίστε την εγκοπή τροφοδοσίας λαδιού και την σπή τροφοδοσίας λαδιού στην οδηγητική λάμα της αλυσίδας (ανατρέξτε στην ενότητα “ΣΥΝΤΗΡΗΣΗ”).

Ρύθμιση της λίπανσης της αλυσίδας (Εικ. 22)

Μπορείτε να ρυθμίσετε τον ρυθμό τροφοδοσίας της αντλίας λαδιού με τη ρυθμιστική βίδα.

ΠΡΟΣΟΧΗ:

- Να χρησιμοποιείτε πάντα την μπροστινή λαβή και την πίσω λαβή και, κατά τη λειτουργία, να κρατάτε το εργαλείο καλά και από την μπροστινή λαβή και από την πίσω λαβή.
- Πάντοτε να στερεώνετε την ζυλεια που πρόκειται να κοπεί, διαφορετικά τα θραύσματα από την κοπή μπορεί να προκαλέσουν προσωρικά τραυματισμό.

ΕΡΓΑΣΙΑ ΜΕ ΤΟ ΑΛΥΣΟΠΡΙΟΝΟ

Τεμαχισμός (Εικ. 23)

Για να εκτελέσετε τεμαχισμό, ακουμπήστε τον οδοντωτό προφυλακτήρα στο ξύλο που θα κόψετε, όπως απεικονίζεται στην εικόνα.

Με την πριονοαλυσίδα να περιστρέφεται, πριονίστε το ξύλο χρησιμοποιώντας την πίσω λαβή για να σηκώσετε το πριόνι και την μπροστινή λαβή για να το καθοδηγήσετε. Χρησιμοποιήστε τον οδοντωτό προφυλακτήρα ως άξονα περιστροφής.

Συνεχίστε την κοπή ασκώντας ελαφριά πίεση στην μπροστινή λαβή και κρατώντας το πριόνι λίγο προς τα πίσω. Μετακινήστε τον οδοντωτό προφυλακτήρα βαθύτερα στο ξύλο και σηκώστε ξανά την μπροστινή λαβή.

Όταν εκτελείται αρκετές κοπές, να σβήνετε το αλυσοπρίονο μεταξύ των κοπών.

ΠΡΟΣΟΧΗ:

- Αν χρησιμοποιείτε τη μύτη της οδηγητικής λάμας της αλυσίδας για κοπή, το αλυσοπρίονο ενδέχεται να

εκτοπιστεί προς την κατεύθυνσή σας εάν παγιδευτεί η αλυσίδα. Για το λόγο αυτό, να κόβετε με το κατώτερο άκρο ώστε το πριόνι να εκτοπιστεί αντίθετα από το μέρος σας. (Εικ. 24)

Να κόβετε ξύλο υπό πίεση πρώτα στην πλευρά υπό πίεση (Α). Κατόπιν, κόψετε την πλευρά τάνυσης (Β). Με τον τρόπο αποφεύγεται η παγίδευση της οδηγητικής λάμας της αλυσίδας. (Εικ. 25)

Κλάδεμα

ΠΡΟΣΟΧΗ:

- Το κλάδεμα πρέπει να εκτελείται μόνο από εκπαιδευμένα άτομα. Η πιθανότητα κλοστήματος αποτελεί κίνδυνο.

Κατά το κλάδεμα, να στηρίζετε το αλυσοπρίονο σε κορμό δέντρου, αν αυτό είναι δυνατόν. Μην κόβετε με την άκρη του οδηγού επειδή υπάρχει κίνδυνος κλοστήματος.

Να προσέχετε ιδιαίτερα τα κλαριά που βρίσκονται υπό τάνυση. Μην κόβετε από το κάτω μέρος κλαριά που δεν στηρίζονται.

Μη στέκεστε επάνω στο κομμένο δέντρο κατά το κλάδεμα.

Κοπή σε ανοίγματα και κοπή παράλληλα με τις ίνες

ΠΡΟΣΟΧΗ:

- Η κοπή σε ανοίγματα και η κοπή παράλληλα με τις ίνες θα πρέπει να εκτελούνται μόνο από ειδικά εκπαιδευμένα άτομα. Η πιθανότητα κλοστήματος αποτελεί κίνδυνο τραυματισμού.

Εκτελέστε την κοπή παράλληλα με τις ίνες με όσο το δυνατό πιο μικρή γωνία. Εκτελέστε την κοπή όσο το δυνατόν πιο προσεχτικά επειδή δεν μπορείτε να χρησιμοποιήσετε τον οδοντωτό προφυλακτήρα. (Εικ. 26)

Ρίψη

ΠΡΟΣΟΧΗ:

- Οι εργασίες ρίψης θα πρέπει να εκτελούνται μόνο από εκπαιδευμένα άτομα. Η εργασία αυτή είναι επικίνδυνη. Τηρήστε τους τοπικούς κανονισμούς για να κάνετε ρίψη ενός δέντρου. (Εικ. 27)

– Πριν ξεκινήσετε εργασίες ρίψης, βεβαιωθείτε ότι:

- (1) Βρίσκονται κοντά μόνο τα άτομα που εμπλέκονται στην επιχείρηση ρίψης,
- (2) Όλα τα εμπλεκόμενα άτομα έχουν ελεύθερο πεδίο διαφυγής σε ακτίνα περίπου 45° από την κάθε πλευρά του άξονα ρίψης. Να λάβετε υπόψη και τον κίνδυνο να σκοντάψει κάποιος στα ηλεκτρικά καλώδια,
- (3) Η βάση του κορμού είναι ελεύθερη από ξένα αντικείμενα, ρίζες και κλαριά,
- (4) Δεν βρίσκεται κανείς σε απόσταση ίση με το μήκος 2 1/2 δέντρων προς την κατεύθυνση που θα πέσει το δέντρο.

– Λάβετε υπόψη τα εξής για το κάθε δέντρο:

- την κατεύθυνση προς την οποία γέρνει,
- τα ελεύθερα ή στεγνά κλαριά,
- το ύψος του δέντρου,
- τη φυσική υπερέκταση,
- εάν το δέντρο έχει σαπίσει.

– Λάβετε υπόψη την ταχύτητα και την κατεύθυνση του ανέμου. Μην εκτελείτε εργασίες ρίψης εάν έχει δυνατό άνεμο.

- Κοπή των ριζών αντερείσματος: Ξεκινήστε με τα μεγαλύτερα αντερείσματα. Πραγματοποιήστε πρώτα μια κάθετη κοπή και μετά μια οριζόντια κοπή.
- Άνοιγμα εγκοπής: Η εγκοπή καθορίζει την κατεύθυνση κατά την οποία θα πέσει το δέντρο και το καθοδηγεί. Ανοίξτε την εγκοπή στην πλευρά κατά την οποία θα πέσει το δέντρο. Ανοίξτε την εγκοπή όσο το δυνατό πιο κοντά στο έδαφος. Κάντε πρώτα την οριζόντια κοπή με βάθος 1/5 έως 1/3 της διαμέτρου του δέντρου. Μην ανοίξετε πολύ μεγάλη εγκοπή. Κατόπιν κάντε τη διαγώνια κοπή. **(Εικ. 28)**
- Κάντε τυχόν διορθώσεις στην εγκοπή σε ολόκληρο το πλάτος της.
- Πρέπει να κάνετε την κοπή από πίσω, λίγο πιο ψηλά σε σχέση με την κοπή στη βάση της εγκοπής. Η κοπή από πίσω πρέπει να είναι εντελώς οριζόντια. Αφήστε απόσταση περίπου ίση με το 1/10 της διαμέτρου του κορμού ανάμεσα από την πίσω κοπή και την εγκοπή. Οι ίνες του ξύλου στο άκρο τμήμα του κορμού λειτουργούν σαν μεντεσές. Σε καμία περίπτωση δεν πρέπει να κόψετε διαμέσου των ινών επειδή το δέντρο θα πέσει χωρίς έλεγχο. Εισάγετε έγκαιρα σφήνες στην πίσω κοπή. **(Εικ. 29)**
- Μπορείτε να χρησιμοποιήσετε μόνο πλαστικές σφήνες ή σφήνες αλουμινίου για να διατηρήσετε την πίσω κοπή ανοιχτή. Απαγορεύεται η χρήση σιδηρένιων σφηνών.
- Μείνετε πλευρικά του δέντρου που πέφτει. Να διατηρείτε ελεύθερο το πεδίο πίσω από το δέντρο που θα πέσει σε ακτίνα έως 45° από την κάθε πλευρά του άξονα του δέντρου (ανατρέξτε στην εικόνα της "περιοχής ρίψης δέντρου"). Προσέχετε για κλαριά που πέφτουν.
- Πριν το ξεκίνημα των κοπών θα πρέπει να σχεδιαστεί μια οδός διαφυγής και να καθαριστεί όπως απαιτείται. Η οδός διαφυγής θα πρέπει να εκτείνεται προς τα πίσω και διαγώνια από το πίσω μέρος της εκτιμώμενης γραμμής πτώσης όπως δείχνεται στην εικόνα. **(Εικ. 30)**

ΣΥΝΤΗΡΗΣΗ

⚠️ ΠΡΟΣΟΧΗ:

- Να βεβαιώνετε πάντοτε ότι το εργαλείο είναι σβηστό και αποσυνδεδεμένο από το ηλεκτρικό ρεύμα πριν εκτελέσετε οποιαδήποτε εργασία ελέγχου ή συντήρησης σε αυτό.
- Να φοράτε πάντοτε γάντια όταν εκτελείτε οποιαδήποτε εργασία επιθεώρησης ή συντήρησης.
- Μην χρησιμοποιήσετε βενζίνη, βενζόλη, διαλυτικό, αλκοόλη ή κάτι παρόμοιο. Μπορεί να προκληθεί αποχρωματισμός, παραμόρφωση ή ρωγμές.

Να εκτελείτε τις εργασίες συντήρησης που περιγράφονται παρακάτω σε τακτά χρονικά διαστήματα. Η εγγύηση θα ισχύει μόνο αν έχετε εκτελέσει σωστά τις εργασίες αυτές σε τακτά χρονικά διαστήματα.

Ο χρήστης μπορεί να πραγματοποιήσει μόνο τις εργασίες συντήρησης που περιγράφονται στο παρόν γχειρίδιο οδηγιών. Οποιοδήποτε άλλες εργασίες πρέπει να εκτελούνται από εξουσιοδοτημένα κέντρα σέρβις της MAKITA.

Καθαρισμός του αλυσοπρίονου

Να καθαρίζετε το πριόνι τακτικά με ένα καθαρό πανί. Ιδιαίτερα στις λαβές δεν πρέπει να υπάρχει λάδι.

Έλεγχος του πλαστικού περιβλήματος

Να εκτελείτε τακτικές οπτικές επιθεωρήσεις όλων των εξαρτημάτων του περιβλήματος. Εάν έχουν καταστραφεί οποιαδήποτε μέρη, να τα επισκευάσετε άμεσα και σωστά στο εξουσιοδοτημένα κέντρα σέρβις της MAKITA.

Ακόνισμα της πριονοαλυσίδας

⚠️ ΠΡΟΣΟΧΗ:

- Να βγάξετε πάντοτε το φως του ηλεκτρικού καλωδίου από την πρίζα της κεντρικής ηλεκτρικής παροχής και να φοράτε προστατευτικά γάντια όταν εκτελείτε εργασίες στη πριονοαλυσίδα.

Ακονίστε την πριονοαλυσίδα όταν: **(Εικ. 31)**

- Παράγονται πριονίδια κατά την κοπή νυπού ξύλου,
- Η αλυσίδα διαπερνά το ξύλο με δυσκολία, ακόμα κι όταν σκεείτε μεγάλη πίεση,
- Η μύτη κοπής παρουσιάζει εμφανή σημάδια φθοράς,
- Το πριόνι τραβιέται προς τα αριστερά ή προς τα δεξιά μέσα στο ξύλο. Η αιτία για τη συμπεριφορά αυτή είναι το ακονίζετε ακόνισμα της πριονοαλυσίδας ή βλάβη μόνο στη μία πλευρά.

Να ακονίζετε την πριονοαλυσίδα συχνά, αλλά να αφαιρείτε μόνο λίγο υλικό κάθε φορά.

Για ακόνισμα ρουτίνας συνήθως επαρκούν δύο ή τρεις διαδρομές με τη λίμα. Όταν έχετε επαναλάβει το ακόνισμα της πριονοαλυσίδας αρκετές φορές, αυτή θα πρέπει να ακονιστεί σε εξουσιοδοτημένο κέντρο σέρβις της MAKITA.

Κριτήρια ακονίσματος:

- Όλοι οι κόφτες πρέπει να έχουν το ίδιο μήκος. Οι κόφτες με διαφορετικό μήκος εμποδίζουν την ομαλή λειτουργία της αλυσίδας και ενδέχεται να προκαλέσουν το σπάσιμο της αλυσίδας.
- Μην ακονίζετε την αλυσίδα όταν το ελάχιστο μήκος του κόφτη φτάσει στα 3 mm. Θα πρέπει να τοποθετήσετε καινούργια αλυσίδα.
- Το πάχος θραυσμάτων καθορίζεται από την απόσταση μεταξύ του ρυθμιστή βάθους (στρογγυλή μύτη) και της μύτης κοπής.
- Θα έχετε τα καλύτερα αποτελέσματα κοπής με την παρακάτω απόσταση μεταξύ του άκρου κοπής και του ρυθμιστή βάθους.
Αλυσοπρίονο 90PX: 0,5 mm
Αλυσοπρίονο 91PX: 0,65 mm **(Εικ. 32)**

⚠️ ΠΡΟΕΙΔΟΠΟΙΗΣΗ:

- Η υπερβολική απόσταση αυξάνει τον κίνδυνο κλοπήματος.
- Όλοι οι κόφτες θα πρέπει να έχουν την ίδια γωνία ακονίσματος των 30°. Εάν υπάρχουν διαφορές στη γωνία, η αλυσίδα κινείται δύσκολα και ανομοιόμορφα, επιταχύνεται η φθορά και προκαλείται σπάσιμο της αλυσίδας.
- Η γωνία του πλαινού χείλους του κόφτη καθορίζεται από το βάθος διείσδυσης της στρογγυλής λίμας. Εάν χρησιμοποιήσετε σωστά τη συγκεκριμένη λίμα, δημιουργείται αυτόματα η σωστή γωνία του πλαινού χείλους.
- Η γωνία πλαινού χείλους για κάθε πριονοαλυσίδα είναι η παρακάτω:
Αλυσοπρίονο 90PX: 7°
Αλυσοπρίονο 91PX: 80° **(Εικ. 33)**

Λίμα και κατεύθυνση λίμας

- Για να ακονίσετε την αλυσίδα, χρησιμοποιήστε μια ειδική στρογγυλή λίμα (προαιρετικό αξεσουάρ) για αλυσοπρίονα. Οι συνθησιμένες στρογγυλές λίμες δεν είναι κατάλληλες.
- Η διάμετρος της στρογγυλής λίμας για κάθε πριονοαλυσίδα είναι η παρακάτω:
Αλυσοπρίονο 90PX: 4,5 mm
Αλυσοπρίονο 91PX: 4,0 mm
- Η λίμα θα πρέπει να έρχεται σε επαφή με τον κόφτη μόνο κατά την εμπρόσθια κίνηση. Ανασηκώστε τη λίμα από τον κόφτη κατά τη διαδρομή επιστροφής.
- Ακονίστε πρώτα τον πιο κοντό κόφτη. Στη συνέχεια το μήκος αυτού του κοντότερου κόφτη γίνεται το πρότυπο για όλους τους άλλους κόφτες της πριονοαλυσίδας.
- Καθοδηγήστε τη λίμα όπως απεικονίζεται στην εικόνα. **(Εικ. 34)**
- Για να καθοδηγήτε τη λίμα πιο εύκολα, χρησιμοποιήστε φορέα λίμας (προαιρετικό αξεσουάρ). Ο φορέας λίμας έχει ενδείξεις για το σωστό ακόνισμα των 30° (ευθυγραμμίστε τις ενδείξεις παράλληλα με την πριονοαλυσίδα) και περιορίζει το βάθος διείσδυσης (στα 4/5 της διαμέτρου της λίμας). **(Εικ. 35)**
- Αφού ακονίσετε την αλυσίδα, ελέγξτε το ύψος του ρυθμιστή βάθους με το μετρητή βάθους αλυσίδας (προαιρετικό αξεσουάρ). **(Εικ. 36)**
- Με μια ειδική επίπεδη λίμα (προαιρετικό αξεσουάρ), αφαιρέστε τυχόν υλικά που προεξέχουν, όσο μικρά και αν είναι.
- Στρογγυλέψτε ξανά το μπροστινό μέρος του ρυθμιστή βάθους.

Καθαρισμός οδηγού αλυσίδας και λίπανση του οδοντωτού τροχού επιστροφής

⚠ ΠΡΟΣΟΧΗ:

- Για την εργασία αυτή να φοράτε πάντοτε προστατευτικά γυαλιά. Οι προεξοχές αποτελούν κίνδυνο τραυματισμού.

Να ελέγχετε τακτικά για βλάβη τις επιφάνειες λειτουργίας της οδηγητικής λάμας της αλυσίδας. Καθαρίστε με κατάλληλο εργαλείο και αφαιρέστε τις προεξοχές, αν απαιτείται. **(Εικ. 37)**

Εάν χρησιμοποιείτε συχνά το αλυσοπρίονο, να λιπαίνετε τον τριβέα του οδοντωτού τροχού επιστροφής τουλάχιστον μία φορά την εβδομάδα. Πριν προσθέσετε φρέσκο γράσο, καθαρίστε προσεκτικά την οπή 2 mm στη μύτη της οδηγητικής λάμας της αλυσίδας και κατόπιν εξαναγκάστε μια μικρή ποσότητα γράσου πολλαπλών χρήσεων (προαιρετικό αξεσουάρ) μέσα στην οπή.

Καθαρισμός του οδηγού λαδιού (Εικ. 38)

- Να καθαρίζετε την εγκοπή του οδηγού λαδιού και την οπή τροφοδοσίας λαδιού στον οδηγό σε τακτά διαστήματα.

Καινούργιες πριονοαλυσίδες

Να χρησιμοποιείτε εναλλάξ δύο ή τρεις πριονοαλυσίδες ώστε η πριονοαλυσίδα, ο οδοντωτός τροχός και οι επιφάνειες λειτουργίας του οδηγού να φθείρονται ομοιόμορφα.

Γυρίστε ανάποδα την οδηγητική λάμα της αλυσίδας όταν αλλάζετε την αλυσίδα ώστε η εγκοπή της οδηγητικής λάμας να φθείρεται ομοιόμορφα.

⚠ ΠΡΟΣΟΧΗ:

- Να χρησιμοποιείτε μόνο αλυσίδες και οδηγητικές λάμες της αλυσίδας που είναι εγκεκριμένοι για αυτό το μοντέλο πριονοαλυσίδας (ανατρέξτε στις "ΠΡΟΔΙΑΓΡΑΦΕΣ").

Πριν τοποθετήσετε καινούργια πριονοαλυσίδα, ελέγξτε την κατάσταση του οδοντωτού τροχού. **(Εικ. 39)**

⚠ ΠΡΟΣΟΧΗ:

- Ένας φθαρμένος οδοντωτός τροχός θα προκαλέσει βλάβη σε μια καινούργια πριονοαλυσίδα. Στην περίπτωση αυτή αλλάξτε τον οδοντωτό τροχό. Να τοποθετείτε πάντοτε ένα καινούργιο δακτύλιο ασφάλισης όταν αλλάζετε τον οδοντωτό τροχό.

Συντήρηση της αλυσίδας και των διατάξεων διακοπής εργαλείου

Τα συστήματα πέδησης αποτελούν πολύ σημαντικά χαρακτηριστικά ασφάλειας. Όπως κάθε άλλο εξάρτημα του αλυσοπρίονου, υπόκεινται σε ορισμένο βαθμό φθοράς. Θα πρέπει να επιθεωρούνται τακτικά από εξουσιοδοτημένα κέντρα σέρβις της MAKITA. Αυτό αποτελεί μέτρο για την προσωπική σας ασφάλεια.

Αποθήκευση εργαλείου

Μπορείτε να φυλάσετε το βιοαποικοδομήσιμο λάδι πριονοαλυσίδα μόνο για περιορισμένο διάστημα. Δύο χρόνια μετά από την παρασκευή τους, τα βιολογικά λάδια αποκτούν συγκολλητικές ιδιότητες και προκαλούν βλάβη στην αντλία λαδιού και τα εξαρτήματα του συστήματος λίπανσης.

- Πριν θέσετε το αλυσοπρίονο εκτός λειτουργίας για μεγάλο χρονικό διάστημα, αδειάστε το δοχείο λαδιού και γεμίστε το με μια μικρή ποσότητα λαδιού κινητήρα (SAE 30).
- Θέστε το αλυσοπρίονο σε λειτουργία για σύντομο χρονικό διάστημα για να εκπλύνετε όλα τα κατάλοιπα του βιολογικού λαδιού από το δοχείο, το σύστημα λίπανσης και το μηχανισμό πριονίσματος.

ΣΗΜΕΙΩΣΗ:

- Όταν θέσετε το αλυσοπρίονο εκτός λειτουργία, μια μικρή ποσότητα λαδιού αλυσίδας θα διαρρέει για κάποιο διάστημα. Αυτό είναι φυσιολογικό και δεν αποτελεί ένδειξη βλάβης.

Να φυλάσετε το αλυσοπρίονο σε κατάλληλη επιφάνεια. Πριν θέσετε ξανά το αλυσοπρίονο σε λειτουργία, γεμίστε το με λάδι πριονοαλυσίδας ΒΙΟΤΟΡ.

Για να διατηρείται η ΑΣΦΑΛΕΙΑ και η ΑΞΙΟΠΙΣΤΙΑ του προϊόντος, οι εργασίες επισκευής, ο έλεγχος και η αλλαγή των καρβονακίων, καθώς και οποιαδήποτε άλλη εργασία συντήρησης και ρύθμισης, θα πρέπει να εκτελούνται σε εξουσιοδοτημένα κέντρα σέρβις της Makita και πάντοτε με τη χρήση ανταλλακτικών της Makita.

ΕΠΙΛΥΣΗ ΠΡΟΒΛΗΜΑΤΩΝ

Πριν ζητήσετε επισκευές, προβείτε πρώτα στον δικό σας έλεγχο. Εάν βρείτε κάποιο πρόβλημα που δεν επεξηγείται στο εγχειρίδιο, μην προσπαθήσετε να αποσυναρμολογήσετε τη συσκευή. Αντί για αυτό ρωτήστε τα εξουσιοδοτημένα κέντρα εξυπηρέτησης της Makita.

Κατάσταση δυσλειτουργίας	Πιθανή αιτία	Αποκατάσταση
Το αλυσσπρίονο δεν ξεκινά.	Δεν υπάρχει τροφοδοσία ρεύματος.	Συνδέστε στη παροχή ρεύματος. Ελέγξτε την παροχή ρεύματος.
	Ελαττωματικό καλώδιο.	Σταματήστε αμέσως τη χρήση του εργαλείου και επικοινωνήστε με το τοπικό εξουσιοδοτημένο κέντρο σέρβις.
	Δυσλειτουργία εργαλείου.	Σταματήστε αμέσως τη χρήση του εργαλείου και επικοινωνήστε με το τοπικό εξουσιοδοτημένο κέντρο σέρβις.
Η αλυσίδα δεν περιστρέφεται.	Το φρένο της αλυσίδας είναι ενεργοποιημένο.	Απενεργοποιήστε το φρένο της αλυσίδας.
Ανεπαρκής απόδοση.	Τα καρβουνάκια έχουν φθαρεί.	Απευθυνθείτε στο τοπικό σας εξουσιοδοτημένο κέντρο σέρβις για την επισκευή.
Δεν υπάρχει λάδι στην αλυσίδα.	Το ρεζερβουάρ λαδιού είναι άδειο.	Γεμίστε το ρεζερβουάρ λαδιού.
	Η εγκοπτή οδηγού λαδιού είναι βρώμικη.	Καθαρίστε την εγκοπτή.
	Λανθασμένη ρύθμιση της ρυθμιστικής βίδας της αντλίας λαδιού.	Ρυθμίστε τον ρυθμό τροφοδοσίας της αντλίας λαδιού.
Η αλυσίδα δεν σταματά ακόμη και όταν ενεργοποιηθεί το φρένο της αλυσίδας.	Ο ιμάντας του φρένου έχει φθαρεί.	Σταματήστε αμέσως τη χρήση του εργαλείου και επικοινωνήστε με το τοπικό εξουσιοδοτημένο κέντρο σέρβις.
Το εργαλείο δονείται αφύσικα.	Χαλαρή οδηγητική λάμα ή πριονοαλυσίδα.	Ρυθμίστε την τάνυση της οδηγητικής λάμας και της πριονοαλυσίδας.
	Δυσλειτουργία εργαλείου.	Σταματήστε αμέσως τη χρήση του εργαλείου και επικοινωνήστε με το τοπικό εξουσιοδοτημένο κέντρο σέρβις.

014314

ΠΡΟΑΙΡΕΤΙΚΑ ΑΞΕΣΟΥΑΡ

ΠΡΟΣΟΧΗ:

- Συνιστάται η χρήση αυτών των αξεσουάρ ή εξαρτημάτων με το εργαλείο της Makita, όπως περιγράφεται στο παρόν εγχειρίδιο. Αν χρησιμοποιήσετε άλλα αξεσουάρ ή εξαρτήματα μπορεί να παρουσιαστεί κίνδυνος για πρόκληση τραυματισμού προσώπων. Να χρησιμοποιείτε τα αξεσουάρ και τα εξαρτήματα μόνο για το σκοπό για τον οποίο προορίζονται.

Αν χρειάζεστε κάποια βοήθεια ή περισσότερες πληροφορίες σχετικά με τα αξεσουάρ αυτά, απευθυνθείτε στο πλησιέστερο κέντρο εξυπηρέτησης της Makita.

- Πριονοαλυσίδα
- Κάλυμμα οδηγητικής λάμας της αλυσίδας
- Οδηγητική λάμα αλυσίδας
- Μετρητής βάθους αλυσίδας
- Στρογγυλή λίμα 4,0 mm
- Στρογγυλή λίμα 4,5 mm
- Επίπεδη λίμα
- Φορέας λίμας με λίμα 4,0 mm
- Φορέας λίμας με λίμα 4,5 mm
- Λαβή λίμας

- Λάδι για την πριονοαλυσίδα
- Γράσο πολλών χρήσεων
- Γρασαδόρος

ΣΗΜΕΙΩΣΗ:

- Ορισμένα από τα στοιχεία της λίστα μπορεί να περιέχονται στην συσκευασία του εργαλείου ως κανονικά αξεσουάρ. Αυτά ενδέχεται να διαφέρουν από χώρα σε χώρα.

Θορύβος

ENG905-1

Το σύνθηρες σταθμισμένο επίπεδο θορύβου που έχει

καθοριστεί σύμφωνα με την EN60745:

Επίπεδο ηχητικής πίεσης (L_{pA}): 90,3 dB (A)

Επίπεδο ηχητικής ισχύος (L_{WA}): 101,3 dB (A)

Αβεβαιότητα (K): 2,5 dB (A)

Να φοράτε ωτοασπίδες.

Δόνηση

ENG900-1

Η συνολική τιμή δόνησης (διανυσματικό άθροισμα τριών αξόνων) που έχει καθοριστεί σύμφωνα με την EN60745:

Τρόπος λειτουργίας: κοπή ξύλου

Εκπομπή δόνησης (a_{h1}): 4,7 m/s²

Αβεβαιότητα (K): 1,5 m/s²

- Η δηλωθείσα τιμή των παραγομένων κραδασμών έχει καταμετρηθεί σύμφωνα με την τυποποιημένη μέθοδο δοκιμασίας και μπορεί να χρησιμοποιηθεί για την σύγκριση ενός εργαλείου με ένα άλλο.
- Η δηλωθείσα τιμή των παραγομένων κραδασμών μπορεί επίσης να χρησιμοποιηθεί για μια προκαταρκτική αξιολόγηση της έκθεσης στους κραδασμούς.

⚠ ΠΡΟΕΙΔΟΠΟΙΗΣΗ:

- Η εκπομπή κραδασμών κατά τη διάρκεια της πραγματικής χρήσης του ηλεκτρικού εργαλείου μπορεί να διαφέρει από τη δηλωθείσα τιμή των εκπομπών, ανάλογα με τον τρόπο με τον οποίο χρησιμοποιείται το εργαλείο.
- Φροντίστε να λάβετε τα μέτρα ασφαλείας που απαιτούνται για την προστασία του χρήστη που βασίζονται σε μια εκτίμηση της έκθεσης σε πραγματικές συνθήκες χρήσης (λαμβάνοντας υπόψη όλα τα μέρη του κύκλου λειτουργίας, όπως είναι οι περιπτώσεις κατά τις οποίες το εργαλείο είναι απενεργοποιημένο και όταν λειτουργεί στο ρελαντί επιπροσθέτως του χρόνου κατά τον οποίο το εργαλείο βρίσκεται σε χρήση).

Για τις ευρωπαϊκές χώρες μόνο ENH021-8
EK – Δήλωση συμμόρφωσης

Η Makita δηλώνει ότι το παρακάτω μηχάνημα(τα):

Όνομασία μηχανήματος:
 Αλυσοσπρίονο
 Αρ. Μοντέλου/Τύπος: UC3041A, UC3541A,
 UC4041A
 Προδιαγραφές: δείτε τον πίνακα "ΠΡΟΔΙΑΓΡΑΦΕΣ".

Συμμορφώνονται με τις ακόλουθες Ευρωπαϊκές Οδηγίες:

2000/14/EK, 2006/42/EK

Κατασκευάζονται σύμφωνα με το παρακάτω πρότυπο ή τυποποιημένα έγγραφα:

EN60745

Το τεχνικό αρχείο σύμφωνα με την 2006/42/EK είναι διαθέσιμο από:

Makita, Jan-Baptist Vinkstraat 2, 3070, Belgium

Η διαδικασία εκτίμησης συμμόρφωσης που απαιτείται από την Οδηγία 2000/14/EK εκτελέστηκε σύμφωνα με το Παράρτημα V.

Μετρημένο Επίπεδο Ηχητικής Ισχύος: 102,2 dB (A)

Εγγυημένο Επίπεδο Ηχητικής Ισχύος: 104 dB (A)

26. 4. 2013



Yasushi Fukaya
 Διευθυντής

Makita, Jan-Baptist Vinkstraat 2, 3070, Belgium

TÜRKÇE (Orijinal talimatlar)

Genel görünüm

1. Zincir freni uygulanır
2. Zincir freni serbest bırakılır
3. Arka sap
4. Açma/kapama düğmesi
5. Yağ haznesi kapağı
6. Ön sap
7. Ön el siperi
8. Pala
9. Testere zinciri
10. Mandal
11. Zincir dişlisi kapağı
12. Ayar düğmesi
13. Arka el siperi
14. Yağ seviyesi penceresi
15. Kivircim muhafazası
16. Kilitleme düğmesi
17. Zincir yakalayıcı
18. Pala kapağı
19. Kablo askısı
20. Yağ pompası ayar vidası (altta)
21. Zincir dişlisi
22. Delik
23. Askı
24. Pim
25. Gevşer
26. Sıkılır
27. Makine kablosu
28. Uzatma kablosu
29. Fiş ve priz (şekilleri ülkeden ülkeye farklılık gösterebilir)
30. Kayış
31. Kilitletir
32. Açılır
33. Kesme alanı
34. Devrilme yönü
35. Tehlike bölgesi
36. Kaçış yolu
37. Bıçak uzunluğu
38. Kesici kenar ile derinlik mesnedi arasındaki mesafe
39. Minimum 3 mm
40. Yan plaka açısı
41. Yağ besleme oluğu
42. Yağ besleme deliği

TEKNİK ÖZELLİKLER


Model	UC3041A	UC3541A	UC4041A				
Maks. zincir hızı	14,5 m/san (870 m/dak)						
Standart pala	Pala uzunluğu	300 mm	350 mm	400 mm			
	Kesme uzunluğu	265 mm	325 mm	360 mm			
	Pala tipi	Zincir dişlisi koruyucu çubuğu					
Standart testere zinciri	Tipi	90PX	91PX	90PX	91PX	90PX	91PX
	Testere dişi	3/8"					
	Tahrik bağlantısı sayısı	46		52		56	
Önerilen pala uzunluğu	300 - 400 mm						
Toplam uzunluk (palasız)	455 mm						
Net ağırlık	4,6 kg		4,7 kg		4,7 kg		
Uzatma kablosu (opsiyonel)	DIN 57282/HO 7RN -F L = 30 m maks., 3 x 1,5 mm ²						


- Sürekli yapılan araştırma ve geliştirmelerden dolayı, burada belirtilen özellikler önceden bildirilmeksizin değiştirilebilir.
- Özellikler ülkeden ülkeye farklılıklar gösterebilir.
- EPTA Prosedürü 01/2003 uyarınca ağırlık


Simge


END218-7

Makine için kullanılan simgeler aşağıda gösterilmiştir. Makineyi kullanmaya başlamadan önce bu simgelerin ne anlama geldiğini öğrenin.


 Kullanım kılavuzunu okuyun ve uyarıları ve güvenlik talimatlarını dikkate alın.

 Koruyucu gözlük kullanın.


 Koruyucu kulaklık kullanın.


 ÇİFT YALITIMLI


 Dikkat: özellikle tedbiri ve dikkatli olun!


 Dikkat: kablo hasarlıysa, derhal elektrik fişini prizden çekin!


 Dikkat: geri tepme!


 Yağmurdan ve nemden koruyun!


 Koruyucu kask, gözlük ve kulaklık kullanın!


 Koruyucu iş eldiveni kullanın!


 Elektrik fişini çekin!


 İlk yardım


 İzin verilen maks. kesme uzunluğu

 Zincirin hareket yönü

 Zincir yağı

 Zincir freni serbest bırakılır

 Zincir freni uygulanır

 Yasak!



Sadece AB ülkeleri için

Elektrikli cihazları evdeki çöp kutusuna atmayın!

Kullanılmış elektrikli cihazları, Elektrikli ve Elektronik Cihaz Atıkları Hakkındaki Avrupa Yönergesine göre ve bu yönergeler ulusal hukuk kurallarına göre uyarlanarak, ayrı olarak toplanmalı ve çevre şartlarına uygun bir şekilde tekrar değerlendirilmeye gönderilmelidir.

Amaçlanan kullanım

ENE085-1

Bu makine ağaç kütükleri ve kereste kesim işleri için öngörülmüştür.

Güç kaynağı

ENF002-2

Makine yalnızca üzerindeki etikette belirtilen voltaj değerlerine sahip, tek fazlı AC güç kaynaklarına bağlanmalıdır. Çift yalıtımlıdır ve bu nedenle topraksız prizlerle de kullanılabilir.

220 V ile 250 V arası alçak gerilimli elektrik dağıtım şebekesi için öngörülmüştür.

ENF100-1

Elektrikli makinenin açılıp kapatılması, gerilimde dalgalanmaya yol açar. Elektrik tesisatı koşullarının yetersiz olduğu durumlarda makinenin çalıştırılması, diğer cihazların çalışmasını olumsuz yönde etkileyebilir. Elektrik direncinin 0,29 ohm'a eşit veya bu değer altında olduğu durumlarda olumsuz bir etkinin yaşanmayacağı varsayılabilir. Makinenin takılacağı elektrik prizinin yüksek tolerans özelliklerine sahip bir sigortayla korunması veya bir koruyucu devre kesiciyle donatılmış olması gerekir.

Genel Elektrikli Aletler Güvenlik Uyarıları

GEA010-1

⚠ UYARI Tüm güvenlik uyarılarını ve tüm talimatları okuyun. Verilen uyarılara ve talimatlara uyulmaması elektrik çarpmasına, yangına ve/veya ciddi yaralanmalara yol açabilir.

Tüm uyarıları ve talimatları ilerde başvurmak üzere saklayın.

Ağaç kesim motoruyla ilgili güvenlik uyarıları

GEB037-8

1. **Ağaç kesim motoru çalışırken vücudunuzun uzuvlarını testere zincirinden uzak tutun. Ağaç kesim motorunu çalıştırmaya başlamadan önce testere zincirinin herhangi bir şeyle temas etmediğinden emin olun.** Ağaç kesim motorlarını çalıştırırken, bir anlık dikkatsizlik giysilerinizin veya vücudunuzun testere zincirine kapılmasına neden olabilir.
2. **Ağaç kesim motorunu daima sağ elinizle arka sapından ve sol elinizle ön sapından tutun.** Ağaç kesim motorunu tutarken ters elin kullanılması yaralanma riskini artıracığından asla bu şekilde tutulmamalıdır.
3. **Testere zincirini gömülü kablolarla veya kendi kablosuna temas edebileceğinden, makineyi yalnızca yalıtımlı kavrama yüzeylerinden tutun.** Testere zincirlerinin "akım" taşıyan bir kabloya temas

- etmesi halinde makinenin metal parçalarına "akım" iletebilir ve neticesinde kullanıcıyı elektrik çarparabilir.
4. **Koruyucu gözlük ve koruyucu kulaklık kullanın. Baş, eller, bacaklar ve ayaklar için de ilave koruyucu ekipmanların kullanılmasını tavsiye ederiz.** Uygun koruyucu giysiler sıçrayan yabancı maddelere veya testere zincirine kazara temas edilmesinin sonucunu oluşturan yaralanma risklerini azaltır.
 5. **Ağaç kesim motorunu ağaç üzerinde çalıştırmayın.** Ağaç kesim motorunun ağaç üzerinde çalıştırılması yaralanmalara yol açabilir.
 6. **Daima uygun ayak üzerinde durun ve ağaç kesim motorunu yalnızca sabit, sağlam ve düz bir yüzey üzerinde çalıştırın.** Merdiven gibi kaygan ve sabit olmayan yüzeyler dengeyi ve dolayısıyla ağaç kesim motorunun kontrolünün kaybedilmesine neden olabilir.
 7. **Gerilim altındaki bir parçayı keserken geri tepmeye karşı hazırlıklı olun.** Ağaç elyafındaki gerilim serbest kalınca, iyice gerilmiş parça sıçrayarak operatöre çarpabilir ve/veya ağaç kesim motorunu kontrolden çıkarabilir.
 8. **Çalı ve fidanları keserken son derece dikkatli olun.** Narin malzeme testere zincirini tutabilir ve size doğru kırbaç hareketi yapmasına veya dengeyi bozulmasına neden olabilir.
 9. **Ağaç kesim motorunu taşırken ön sapından tutun, kapalı olmasına dikkat edin ve vücudunuzdan uzak tuttuğunuzdan emin olun. Ağaç kesim motorunu taşırken veya saklamak için kapıyı mutlaka takın.** Ağaç kesim motorunun düzgün tutulması, hareket halindeki testere zinciriyle kazara temas etme riskinizi azaltır.
 10. **Yağlama, zincir gergisi ve aksesuar değiştirmeye ilişkin talimatlara uygun hareket edin.** Düzgün şekilde gerilmemiş veya yağlanmamış zincir ya da geri tepme olasılığını artırır.
 11. **Makinenin saplarını mutlaka kuru ve temiz tutun ve saplara yağ veya gres bulaşmasına izin vermeyin.** Gresli ve yağlı saplar kayganlaşır ve kontrolün kaybedilmesine neden olur.
 12. **Yalnızca ahşap malzeme kesin. Ağaç kesim motorunu amacı dışında kullanmayın. Örneğin: ağaç kesim motorunu plastik, taş ürünleri veya ahşap olmayan malzemeleri kesmek için kullanmayın.** Ağaç kesim motorunun kullanım amacı dışında kullanılması tehlikeli durumlara yol açabilir.
 13. **Geri tepme nedenleri ve operatör tarafından önlenmesi:**
Palanın burnu veya ucu bir nesneye dokunursa veya ahşap malzeme, testere zincirini kesik içinde tutarsa geri tepme meydana gelebilir.
Bazı durumlarda ucun dokunduğu anda ani bir ters tepki meydana gelerek palayı yukarı ve operatöre doğru geriye iter.
Testere zinciri, pala ucu boyunca sıkışınca, pala hızla operatöre doğru geri hareket eder.
Bu tepkilerin herhangi biri ağaç kesim motorunun kontrolünü kaybetmenize ve ciddi şekilde yaralanmanıza neden olabilir. Sadece ağaç kesim motorundaki güvenlik aygıtlarına güvenmekle kalmayın. Ağaç kesim motorunun kullanıcıları olarak, kesme işlemlerinde kazalara veya yaralanmalara yol açmayacak çeşitli önlemleri almanız da şarttır.

Geride tepme, makinenin yanlış kullanımının ve/veya makinenin yanlış işlemlerle veya yanlış koşullar altında çalıştırılmasının bir sonucudur ve bundan kaçınmak için aşağıdaki önlemlerin alınması gerekir.

- **Ağaç kesim motorunun saplarını basparmak ve parmaklarınızla sıkıca kavrayın, iki eliniz ağaç kesim motorunun üzerinde ve vücudunuz ve kollarınız geri tepme kuvvetine karşı koyacak şekilde pozisyon alın.** Doğru önlemler alınır, geri tepme kuvvetleri operatör tarafından kontrol edilebilir. Ağaç kesim motorunu elinizden bırakmayın. (Şekil 1)
- **Uzanarak veya omuz yüksekliğinden yukarı kesme yapmayın.** Bu, istenmeyen uç temasını engellemeye ve ağaç kesim motorunun beklenmeyen durumlarda daha iyi kontrol edilebilmesine yardımcı olur.
- **Yalnızca üreticinin belirttiği yedek çubukları ve zincirleri kullanın.** Yanlış yedek çubuklar ve zincirler, zincir kırılmasına ve/veya geri tepmeye neden olur.
- **Testere zinciri için üreticinin bileme ve bakım talimatlarını uygulayın.** Derinlik mesnedinin azaltılması geri tepmenin artmasına neden olabilir.

EK GÜVENLİK KURALLARI

1. Ağaç kesim motorunun çalışma biçimi hakkında fikir edinmek için kullanım kılavuzunu okuyun.
2. Ağaç kesim motoruyla ilk kez çalışmaya başlamadan önce, makinenin nasıl kullanıldığına ilişkin pratik eğitim almaya çalışın. Bu mümkün değilse, çalışmaya başlamadan önce bir azından bir destek üzerinde yuvarlak odun keserek alıştırmaya başlayın.
3. Ağaç kesim motoru çocuklar veya 18 yaşından küçük gençler tarafından kullanılmamalıdır. 16 yaşın üzerindeki gençler, bir uzman gözetimi altında eğitim alması şartıyla bu kısıtlamanın dışında tutulabilir.
4. Ağaç kesim motoruyla çalışırken yüksek düzeyde konsantrasyon gerektirir. Kendinizi iyi ve zinde hissetmediğiniz durumlarda ağaç kesim motorunu kullanmayın. Tüm işlerinizi sakın ve dikkatli bir şekilde yürütün.
5. Asla alkol, uyuşturucu ve ilaç etkisi altında çalışmayın.

Doğru kullanım

1. Ağaç kesim motoru sadece ağaç kesme işlerinde kullanılabilir. Makineyi plastik veya gazbeton gibi malzemeler kesmek için kullanmayın.
2. Ağaç kesim motorunu sadece bu kullanım kılavuzunda belirtilen işlemler için kullanın. Makineyi, örneğin çalınları budama veya buna benzer işler için **kesinlikle** kullanmayın.
3. Ağaç kesim motoru ormanlık işlerinde, örneğin canlı ağaçları kesme veya budama işlerinde kullanılmamalıdır. Ağaç kesim motorunun kablosu kullanıcıya bu tür işlerin gerektirdiği hareket kabiliyetini ve güvenliği veremez.
4. Ağaç kesim motoru ticari amaçlı kullanım için öngörülmemiştir.
5. Ağaç kesim motorunu aşırı zorlamayın.

Kişisel koruyucu ekipmanlar

1. Giysiler vücudu sarmalı ancak hareket kabiliyetini engellememelidir.
2. Çalışma sırasında aşağıdaki koruyucu araçları kullanın:
 - Dal veya benzeri parçaların düşme tehlikesine karşı, test edilmiş bir koruyucu kask;
 - Koruyucu maske veya gözlük;
 - Uygun kulak koruyucuları (kulaklık, çeşitli kulak tıkaçları). Talep edilmesi üzerine, markalara göre ses düzeyi analizi verilebilir.
 - Dayanıklı deri iş eldiveni;
 - Sağlam kumaştan üretilmiş uzun iş pantolonu;
 - Kesilmeye kumaştan üretilmiş koruyucu iş elbisesi;
 - Kaymaz tabanlı, çelik burunlu ve kesilmeye kumaştan üretilmiş koruyucu ayakkabı veya botlar;
 - Toz oluşumuna yol açan işlerde (örn. kuru ağaç keserken), toz maskesi.

Elektrik çarpmasına karşı önlemler



Elektrikli motor su geçirmez olmadığından, ağaç kesim motoru yağmurlu havada veya nemli ortamlarda kullanılmamalıdır.

1. Ağaç kesim motorunu yalnızca elektrik devreleri test edilmiş prizlere takın. Sistem geriliminin cihaz üzerindeki etikette belirtilen değerlere uygun olup olmadığını kontrol edin. 16 A sigortanın takılı olduğundan emin olun. Açık havada kullanılan ağaç kesim motorlarının, çalıştırma akımı 30 mA'i aşmayacak, artık akımla çalışan bir devre kesiciye bağlanması şarttır.



Bağlantı kablosunda hasar tespit ettiğinizde, derhal elektrik fişini çekin.

Güvenli çalışma

1. Çalışmaya başlamadan önce ağaç kesim motorunun uygun çalışma ortamında bulunduğundan ve makinenin güvenlik talimatlarına uygun koşullarda olduğundan emin olun. Özellikle aşağıdaki koşulların sağlanıp sağlanmadığını kontrol edin:
 - Zincir freni kusursuz çalışıyor;
 - Motor freni kusursuz çalışıyor;
 - Pala ve zincir dişlisi kapağı doğru biçimde takılı;
 - Zincir talimatlara uygun şekilde bilmiş ve gerilmiş durumda;
 - Elektrik kablosu ve elektrik prizinde herhangi bir hasar bulunmuyor;

Bkz. "KONTROLLER" bölümü.

2. Kullandığınız uzatma kablosunun makineyle uyumlu olup olmadığını mutlaka kontrol edin (bkz. "TEKNİK ÖZELLİKLER"). Kablo bobini kullandığınızda, bobinin üzerindeki kabloyu sonuna kadar çözün. Ağaç kesim motorunu açık havada kullanırken, taktığınız kablolu açık havada kullanım için öngörüldüğünden ve uygun değerlere sahip olduğundan emin olun.
3. Kordonu kesme alanından uzak tutun ve kordonu, kesme sırasında kollara ya da benzeri yerlere takılmayacak şekilde yerleştirin.
4. Ağaç kesim motorunu yanıcı toz veya gazların yakınında çalıştırmayın. Motor kıvılcım ürettiğinden bu tür ortamlarda **patlama riski** oluşabilir.
5. Daima sağlam bir zeminde, sağlam ve dengeli basarak çalışın. Çalışma ortamında bulunabilecek engellere (örn. kablo) özellikle dikkat edin. Nem, buz,

- kar, yaş tahta veya ağaç kabuklarının zemini kayganlaştırdığı durumlarda özellikle tedbirli olun. Merdivende veya ağaç üzerindeyken ağaç kesim motorunu kullanmayın.
6. Eğimli bir zeminde çalışırken özellikle dikkatli olun; yuvarlanan kütükler ve dallar tehlike yaratabilir.
 7. Kestiğiniz yer asla omuz hizasını aşmamalıdır.
 8. **Ağaç kesim motorunu çalıştırırken ve kullanırken iki elinizle kavrayın.** Arka sapı sağ elinizle, ön sapı sol elinizle tutun. Sapları baş parmaklarınızla sıkıca kavrayın. Ağaç kesim motorunu çalıştırırken pala ve zincir hiçbir nesneyle temas etmemelidir. **(Şekil 1)**
 9. Kesilecek bölgeyi kum, taş, çivi, tel vs. gibi yabancı maddelerden arındırın. Bu tür nesnelere palaya ve zincire hasar verebilir ve makinenin tehlikeli biçimde geri tepmesine yol açabilir.
 10. Tel örgülerin yakınında çalışırken özellikle dikkat edin. Tel örgüye temas ettiğinde ağaç kesim motoru geri tepebilir.
 11. Kesme sırasında ağaç kesim motorunu toprağın içine doğru sokmayın.
 12. Ağaç parçalarını demet veya yığın halinde değil, tek tek kesin.
 13. Ağaç kesim motoruyla ince dal ve kökleri kesmemeye özen gösterin. Bunlar ağaç kesim motorunun zincirine takılabilir ve dengeyi bozarak tehlikeye yol açabilir.
 14. Biçilmiş odun keserken emniyetli bir destek (ayaklık) kullanın.
 15. Ağaç kesim motorunu ağaç parçalarını ve başka nesnelere zorlayarak açmak veya kenara itmek için kullanmayın.
 16. Ağaç kesim motorunu yönlendirirken, hiçbir vücut parçanızın testere zincirinin hareket yolunda bulunmamasına dikkat edin (bkz. şekil). **(Şekil 2)**
 17. Kesme işlemleri arasında hareket ederken, zincirin isteğiniz dışında çalışmasını engellemek için zincir frenini kullanın. Ağaç kesim motorunu taşırken ön sapından tutun ve parmağınızı açma/kapama düğmesinde bırakmayın.
 18. Çalışmaya ara verdiğinizde veya ağaç kesim motoru gözetiminizden uzak olduğunda, elektrik fişini çekin. Ağaç kesim motorunu, tehlike yaratmayacağı bir yerde bırakın.

Geri tepme

1. Ağaç kesim motoruyla çalışırken tehlikeli geri tepme hareketleri oluşabilir. Palanın ucu (özellikle üst çeyreği) ağaçla veya başka sert bir cisimle temas ettiğinde geri tepme meydana gelir. Bu hareket, ağaç kesim motorunun kullanıcı yönünde sekmesine yol açar. **(Şekil 3)**
2. Geri tepmeyi önlemek için şunlara dikkat edin:
 - Kesme işlemine asla palanın ucuyla başlamayın.
 - Kesme sırasında asla palanın ucunu kullanmayın. Özellikle daha önceden başladığınız bir kesme işlemine devam ederken dikkatli olun.
 - Kesme işlemine zincir hareket halindeyken başlayın.
 - Zinciri daima doğru şekilde bileyin. Özellikle, derinlik mesnedini doğru yüksekliğe ayarlayın.
 - Asla birden fazla dalı aynı anda kesmeyin.
 - Dal keserken palanın aynı anda başka dallara temas etmemesine dikkat edin.

- Ağaç gövdelerini keserken bitişik gövdelere dikkat edin. Daima pala ucunu izleyin.
- Emniyetli destek (ayaklık) kullanın.

Güvenlik tertibatları

1. Çalışmaya başlamadan önce güvenlik tertibatlarının çalışır durumda olup olmadığını daima kontrol edin. Güvenlik tertibatları gerektiği şekilde çalışmıyorsa, ağaç kesim motorunu kullanmayın.
 - **Zincir freni:**
Ağaç kesim motoru, bir saniyeden kısa bir süre içinde testere zincirini durduran bir zincir freniyle donatılmıştır. Zincir freni, el siperi öne doğru itildiğinde devreye girer. Bu durumda zincir 0,15 saniye içinde durur ve motorun elektrik beslemesi kesilir. **(Şekil 4)**
 - **Motor freni:**
Ağaç kesim motoru, AÇMA/KAPAMA düğmesi bırakıldığında testere zincirini aniden durduran bir motor freniyle donatılmıştır. Bu tertibat, motor kapandıktan sonra zincirin dönmeye devam ederek tehlike yaratmasını önler.
 - **Önde ve arka el siperleri,** tahta parçalarının geriye doğru sıçraması veya zincirin kopması durumunda kullanıcıyı yaralanmalara karşı korur.
 - **Açma/kapama düğmesi kilidi,** ağaç kesim motorunun yanlışlıkla çalıştırılmasını önler.
 - **Zincir yakalayıcı,** zincirin atması veya kopması durumunda kullanıcıyı yaralanmalara karşı korur.

Taşıma ve saklama



Ağaç kesim motorunu kullanmadığınız zaman veya taşırken elektrik fişini çekin ve ağaç kesim motoruyla birlikte verilen pala kapağını takın. Ağaç kesim motorunu asla zinciri hareket halindeyken taşımayın.

1. Ağaç kesim motorunu sadece ön sapından tutarak ve pala arkaya dönük şekilde taşıyın.
2. Ağaç kesim motorunu güvenli, kuru ve çocukların erişemeyeceği kilitleti bir odada tutun. Ağaç kesim motorunu açık havada bırakmayın.

Bakım

1. Herhangi bir ayarlama veya bakım işleminden önce elektrik fişini prizden çekin.
2. Elektrik kablosunun yalıtımında bir hasar olup olmadığını düzenli olarak kontrol edin.
3. Ağaç kesim motorunu düzenli olarak temizleyin.
4. Ağaç kesim motorunun plastik gövdesinde oluşan herhangi bir hasarın derhal doğru bir şekilde onarılmasını sağlayın.
5. Açma/kapama düğmesi doğru şekilde çalışmıyorsa, ağaç kesim motorunu kullanmayın. Açma/kapama düğmesinin uygun şekilde onarılmasını sağlayın.
6. Hiçbir durumda ağaç kesim motoru üzerinde değişiklik yapılmamalıdır. Aksi takdirde, güvenliğinizi tehlikeye girer.
7. Bu kullanım kılavuzunda belirtilenlerin dışında herhangi bir bakım veya onarım işleminde bulunmayın. Diğer her tür işlem yalnızca yetkili servis merkezleri tarafından yürütülmelidir.
8. Sadece testerenizin modeline uygun, orijinal yedek parçaları ve aksesuarları kullanın. Başka parçaların kullanılması kaza riskini artırır.

9. Onaylanmamış pala, testere zinciri veya diğer yedek parça veya aksesuarların kullanılmasından kaynaklanan kazalar veya hasarlar için hiçbir sorumluluk kabul edilmez.

İlk yardım

+ Yalnız çalışmayın. Daima ikinci bir kişiye seslenebileceğiniz bir uzaklıkta çalışın.

1. Yanınızda daima bir ilk yardım kutusunu hazır bulundurun. İçinden kullanılan malzemelerin yerine mutlaka yenilerini ekleyin.
2. Bir kaza durumunda yardım çağırarak istediğinizde aşağıdaki bilgileri verin:
 - Kaza nerede oldu?
 - Ne oldu?
 - Kaç kişi yaralandı?
 - Ne tür yaraları var?
 - Kazayı bildiren kim?

NOT:

Kan dolaşımı zayıf olan kişilerin aşırı titreşime maruz kalması, damarların veya sinir sisteminin zarar görmesine yol açabilir.

Titreşim parmaklarda, ellerde ve bileklerde şu semptomlara neden olabilir: "Uyuşma" (hissizlik), karıncalanma, ağrı, batma hissi, cilt renginin veya cildin değişmesi.

Bu semptomlardan herhangi biri ortaya çıkarsa, doktora başvurun!

BU TALİMATLARI SAKLAYIN.

⚠ UYARI:

Ürünü kullanırken defalarca kullanmanın getirdiği rahatlık ve tanıdıklık duygusunun, güvenlik kurallarına sıkı sıkıya bağlı kalmanızı önlemesine İZİN VERMEYİN. YANLIŞ KULLANIM veya bu kullanım kılavuzunda belirtilen güvenlik kurallarına uyulmaması ciddi yaralanmalara neden olabilir.

PARÇALARIN GÖSTERİMİ (Şekil 5)

KURULUM

⚠ DİKKAT:

- Makine üzerinde herhangi bir işlem yapmadan önce mutlaka makinenin kapalı ve fişinin çekili olduğundan emin olun.

Testere zincirinin sökülmesi ve takılması

⚠ DİKKAT:

- Testere zincirini takip sökerken daima eldiven kullanın. Testere zincirini çıkarmak için, şu adımları takip edin:
 1. Mandalı bastırın ve durana kadar tamamen açın. (Şekil 6)
 2. Zincir dişlisi kapağını çıkana kadar gevşetmek için mandalı saat yönünün tersine çevirin.
 3. Testere zincirini gerilimini boşaltmak için ayar düğmesini "-" yönüne çevirin. (Şekil 7)
 4. Zincir dişlisi kapağını çıkarın.
 5. Testere zincirini ve palayı ağaç kesim motorundan çıkarın.

Testere zincirini takmak için, şu adımları takip edin:

6. Zincir yönünün doğru olduğundan emin olun. Zincir üzerindeki ok işareti, zincirin dönüş yönünü gösterir. (Şekil 8)
7. Testere zincirinin bir ucunu palanın ucuna, diğer ucunu ise zincir dişlisinin etrafına geçirin.
8. Palayı ağaç kesim motorunun üzerindeki yerine yerleştirin.
9. Gerilim sürgüsünü pala deliğiyle hizalayın. (Şekil 9)
10. Testere zincirinin gerilimini boşaltmak için, palayı sabit tutarken ayar düğmesini "+" yönüne çevirin.
11. Zincir dişlisi kapağını askılar, delikler boyunca tam olarak oturacak ve pim zincir dişlisi kapağı üzerindeki karşı parçaya geçecek şekilde yerleştirin. (Şekil 10)
12. Zincir dişlisi kapağını sabitlemek için mandalı saat yönünde çevirin. (Şekil 11)
13. Mandalı bastırın ve başlangıçtaki konumuna geri getirin.

Testere zinciri gerginliğinin ayarlanması

Birkaç saatlik uzun çalışmalardan sonra testere zinciri gevşeyebilir. Kullanmaya başlamadan önce, testere zincirinin gerginliğini zaman zaman kontrol edin.

1. Mandalı bastırın ve takılana kadar tamamen açın. Zincir dişlisi kapağını hafifçe gevşetmek için saat yönünün tersine bir miktar çevirin. (Şekil 6)
2. Pala ucunu hafifçe kaldırın. (Şekil 12)
3. Testere zincirinin gerginliğini ayarlamak için ayar düğmesini çevirin. Testere zincirini, testere zincirinin alt tarafı pala rayına (daireye bakın) tam olarak oturacak şekilde sıkın.
4. Palayı hafifçe tutmaya devam ederken, zincir gerginliğini ayarladıktan sonra zincir dişlisi kapağını sıkın. Testere zincirinin alt taraftan gevşemediğinden emin olun.
5. Mandalı bastırın ve başlangıçtaki konumuna getirin. (Şekil 13)

Testere zincirinin palanın alt tarafına rahat şekilde oturduğundan emin olun.

⚠ DİKKAT:

- Testere zincirini çok fazla sıkmayın. Testere zincirinin aşırı gergin olması zincirin kopmasına, palanın aşınmasına ve ayar düğmesinin kırılmasına yol açabilir.
- Aşırı gevşek bir zincir ise paladan çıkabilir ve kaza riski yaratabilir.
- Testere zinciri takma ve söküm prosedürünü daima testere talaşı veya benzeri yabancı maddeler içermeyen temiz yerlerde tutun.

Uzatma kablosunun takılması

⚠ DİKKAT:

- Uzatma kablosunun elektrik prizine takılı olmadığından emin olun. (Şekil 14)
- Uzatma kablosunu takarken, ağaç kesim motorunun kablosunu kablo askısıyla sabitleyin. Kablo askısını uzatma kablosu bağlantı noktasının 100 - 200 mm uzağına takın. Böylece bağlantının kazara kesilmesi önlenmiş olur.

ÇALIŞTIRMA

Açma/kapatma (Şekil 15)

⚠ DİKKAT:

- Açma/kapama düğmesinin çalıştığını kontrol etmeye başlamadan önce, makinenin kapalı ve fişinin çekili olduğundan emin olun.
- Makineyi fişe takmadan önce, açma/kapama düğmesinin doğru şekilde çalışıp çalışmadığını ve serbest bırakıldığında "KAPALI" konumuna dönüp dönmediğini mutlaka kontrol edin.

NOT:

- Makineyi art arda (beş saniye ve daha kısa sürelerde) açıp, kapatmayın. Makine içerisindeki sıcaklık yükselerek, makinenin zarar görmesine neden olabilir. Bu süre atmosfer sıcaklığına ve diğer koşullara bağlı olarak değişir. (Şekil 16)

Açma/kapama düğmesine yanlışlıkla basılmasını önlemek için makinede bir kilitleme düğmesi bulunur. Makineyi çalıştırmak için kilitleme düğmesini basarak açın ve açma/kapama düğmesine basın. Makineyi durdurmak için parmağınızı açma/kapama düğmesinden çekin.

Yağlama

⚠ DİKKAT:

- Testere zincirini yağlama işlemine başlamadan önce, makinenin kapalı ve fişinin çekili olduğundan daima emin olun.

Testere zinciri ve pala için yapışkan madde içeren, biyolojik olarak ayrıştırılabilir bir testere zinciri yağı kullanın. Testere zinciri yağının içindeki yapışkan madde yağın çok kısa bir sürede testereden atılmasını önler. Çevreye verdikleri zarar nedeniyle mineral yağlar kullanılmamalıdır. (Şekil 17)

⚠ DİKKAT:

- Yağın cilt ve gözlerle temas etmemesine dikkat edin. Gözlerle temas tahrişe neden olur. Böyle bir durumda, etkilenen göz temiz suyla yıkanmalı ve hemen doktora başvurulmalıdır.
- Kesinlikle atık yağ kullanmayın. Atık yağ kanserojen maddeler içerir. Atık yağın içerdiği yabancı maddeler, yağ pompasının, palanın ve zincirin hızla aşınmasına yol açar. Atık yağ çevreye zararlıdır.
- Ağaç kesim motoruna ilk kez zincir yağı doldururken veya tamamen boşaldıktan sonra hazneyi yeniden doldururken, hazne ağzının alt kenarına kadar yağ ekleyin. Aksi takdirde yağ beslemesi zayıf kalabilir.

Yağ doldurmak için, şu adımları takip edin: (Şekil 18)

- Yağ haznesine toz, kir gibi yabancı maddelerin girmesini önlemek için yağ haznesi kapağının etrafındaki bölgeyi temizleyin.
- Yağ haznesi kapağını açın ve hazne ağzının alt kenarına kadar yağ ekleyin.
- Yağ haznesi kapağını tekrar sıkıca kapatın.
- Kenarlara dökülen yağı dikkatlice temizleyin.

NOT:

- Ağaç kesim motoru ilk kez kullanılıyorsa, zincir yağının testere mekanizmasında etkili olmaya başlaması yaklaşık iki dakika sürebilir. Bu süre içerisinde ağaç kesim motorunu yüksüz çalıştırın (bkz. "KONTROLLER").

KONTROLLER

Çalışmaya başlamadan önce şu kontrolleri yapın:

Zincir gerginliğinin kontrolü

⚠ UYARI:

- Zincir gerginliğini kontrol etmeye başlamadan önce daima elektrik fişini çekin ve koruyucu eldiven kullanın. Testere zincirinin palanın alt tarafına (daireye bakın) rahat şekilde oturduğundan emin olun. (Şekil 12)
- Yeni zincirlerin genleşme olasılığı yüksek olduğundan, zincir gerginliğini sık sık kontrol edin.
- Testere zincirinin aşırı gergin olması zincirin kopmasına, palanın aşınmasına ve ayar düğmesinin kırılmasına yol açabilir.
- Aşırı gevşek bir zincir ise paladan çıkabilir ve kaza riski yaratabilir.
- Zincir aşırı gevşek ise: "Testere zinciri gerginliğinin ayarlanması" bölümüne bakın ve zincirin gerginliğini tekrar ayarlayın.

Açma/kapama işleminin kontrolü

⚠ DİKKAT:

Makineyi fişe takmadan önce, açma/kapama düğmesinin doğru şekilde çalışıp çalışmadığını ve serbest bırakıldığında "KAPALI" konumuna dönüp dönmediğini mutlaka kontrol edin.

Açma/kapama düğmesine yanlışlıkla basılmasını önlemek için makinede bir kilitleme düğmesi bulunur. Makineyi çalıştırmak için kilitleme düğmesini basarak açın ve açma/kapama düğmesine basın. Makineyi durdurmak için parmağınızı açma/kapama düğmesinden çekin. Çalışma kilitleme düğmesine basmadan açma/kapama düğmesine basmaya çalışmayın. Aksi takdirde, açma/kapama düğmesi kırılabilir.

Zincir freninin kontrolü

NOT:

- Ağaç kesim motoru çalıştırılmıyorsa, zincir freni devrededir ve boşa alınması gerekir. Zincir frenini boşa almak için, el siperini takıldığını hissedene kadar sıkı bir şekilde geriye doğru çekin. (Şekil 19 ve 20)

Zincir frenini şu şekilde kontrol edin:

- Ağaç kesim motorunu çalıştırırken iki elinizle kavrayın. Arka sapı sağ elinizle, ön sapı sol elinizle tutun. Palanın ve zincirin herhangi bir nesneye dokunmadığından emin olun.
- Önce kilitleme düğmesine basarak kilidi açın ve ardından açma/kapama düğmesine basın. Testere zinciri hemen çalışmaya başlar.
- Elinizin üstüyle ön el siperini öne doğru itin. Testere zincirinin derhal rölanti konumuna geldiğinden emin olun.

⚠ DİKKAT:

- Testere zinciri hemen durmuyorsa, ağaç kesim motorunu kesinlikle kullanmaya çalışmayın. Yetkili Makita servis merkezlerine danışın.

Motor freni kontrolü

Ağaç kesim motorunu çalıştırın.

Açma/kapama düğmesini tamamen bırakın. Testere zincirinin bir saniye içerisinde rölanti konumuna geldiğinden emin olun.

⚠️ DİKKAT:

- Testere zinciri hemen durmuyorsa, ağaç kesim motorunu kesinlikle kullanmaya çalışmayın. Yetkilili Makita servis merkezlerine danışın.

Zincir yağlama mekanizması kontrolü

Çalışmaya başlamadan önce, haznedeki yağ seviyesini ve yağ beslemesini kontrol edin.

Yağ seviyesi, şekilde gösterilen yağ seviyesi penceresinden görülebilir. (Şekil 21)

Yağ beslemesini şu şekilde kontrol edebilirsiniz:

Ağaç kesim motorunu çalıştırın.

Ağaç kesim motoru çalışırken testere zincirini bir ağaç gövdesine veya toprağa yaklaşık 15 cm uzaklıkta tutun.

Yağlama gerektiği şekilde gerçekleşiyorsa, yağ püskürtmesi hafif bir yağ izi bırakır.

Bunu yaparken yağın üzerinize gelmemesi için rüzgar yönünü de dikkate alın.

⚠️ DİKKAT:

- Eğer yağ izi oluşmuyorsa, ağaç kesim motorunu kullanmayın. Aksi takdirde ağaç kesim motorunun ömrü önemli ölçüde azalır. Yağ seviyesini kontrol edin. Yağ besleme oluşunu ve palanın üzerindeki yağ besleme deliğini temizleyin (bkz. "BAKIM").

Zincir yağının ayarlanması (Şekil 22)

Yağ pompası besleme hızını ayar vidasıyla ayarlayabilirsiniz.

⚠️ DİKKAT:

- Makineyi çalıştırırken mutlaka ön sapı ve arka sapı kullanın ve makineyi hem ön saptan hem de arka saptan tutarak sıkı bir şekilde kavrayın.
- Kesilecek parçayı daima sabitleyin, aksi takdirde, parçalar sıçrayarak yaralanmalara yol açabilir.

AĞAÇ KESİM MOTORUYLA

Ağaç gövdesi kesme (Şekil 23)

Ağaç gövdelerini kesmek için, kıvılcım muhafazasını şekilde gösterildiği gibi kesilecek gövdenin üzerine dayayın.

Testere zinciri hareket halindeyken, gövdeyi kesmeye başlayın. Bu sırada arka sapı ağaç kesim motorunu kaldırmak, ön sapı ise ağaç kesim motorunu yönlendirmek için kullanın. Kıvılcım muhafazasını destek noktası olarak kullanın.

Ön sapı hafif baskı uygularken ağaç kesim motorunun arka kısmını hafifçe kaldırarak kesme işlemine devam edin. Kıvılcım muhafazasını daha aşağı indirin ve tekrar ön sapı kaldırın.

Birden çok kesme işlemi yaparken, aralarda ağaç kesim motorunu kapatın.

⚠️ DİKKAT:

- Kesme işleminde palanın üst kenarı kullanılıyorsa, zincir sıkıştığında ağaç kesim motoru aniden size doğru hareket edebilir. Bu nedenle palanın alt kenarını kesmeye dikkat edin. Böylece, sıkışma durumunda

ağaç kesim motoru size doğru değil, ileriye hareket eder. (Şekil 24)

Gerilim altındaki malzemeyi önce baskının uygulandığı taraftan (A) kesin. Ardından son kesme hamlesini gerilimin olduğu taraftan (B) yapın. Bu şekilde palanın sıkışmasını önlemiş olursunuz. (Şekil 25)

Dalları kesme

⚠️ DİKKAT:

- Dalları kesme işlemi sadece bu konuda eğitilmiş kişiler tarafından yapılmalıdır. Geri tepme riski tehlike yaratır. Dalları keserken ağaç kesim motorunu mümkünse ağacın gövdesine dayayın. Kesme işleminde palanın ucunu kullanmayın. Bu geri tepmelere yol açabilir. Özellikle gerilim altındaki dallara dikkat edin. Altan desteklenmeyen dalları kesmeyin. Dalları keserken ağacın gövdesi üzerinde durmayın.

Biçme ve boyuna kesme

⚠️ DİKKAT:

- Biçme ve boyuna kesme sadece bu konuda eğitilmiş kişiler tarafından yapılmalıdır. Geri tepme olasılığı yaralanma riski yaratır. Boyuna kesme işlemlerinde açığı olabildiğince dar tutmaya çalışın. Bu durumda kıvılcım muhafazası kullanılmadığından, kesme işlemi olabildiğince dikkatli yapmaya çalışın. (Şekil 26)

Ağaç kesme

⚠️ DİKKAT:

- Ağaç kesme işlemi sadece bu konuda eğitilmiş kişiler tarafından yapılmalıdır. Bu işlem tehlikelidir. Ağaç kesmeden önce ilgili yerel düzenlemeleri dikkate alın. (Şekil 27)
- Ağaç kesmeye başlamadan önce şunları kontrol edin:
 - (1) Etrafta sadece ağaç kesme çalışmasına katılan kişiler bulunuyor;
 - (2) Çalışmaya katılan kişilerin geri çekilebilmeleri için, devrilme ekseninin her iki yönünde yaklaşık 45°'lik açığı kapsayan alanda, engelsiz bir geri çekilme yolu var. Elektrik kablolarına takılma riskini de dikkate alın.
 - (3) Ağaç gövdesinin dibinde yabancı nesnelere, kök ve dallar bulunmuyor;
 - (4) Ağacın düşeceği yönde, 2 1/2 ağaç boyu kadar bir mesafede hiçbir kişi veya nesne bulunmuyor.
- Her bir ağaç için ayrıca şunları dikkate alın:
 - Ağacın doğal eğimi;
 - Kırılmış veya kurumuş dallar;
 - Ağacın yüksekliği;
 - Doğal uzantılar;
 - Ağacın çürük olup olmadığı.
- Rüzgar hızını ve yönünü dikkate alın. Aşırı rüzgarlı havada ağaç kesme işlemini yürütmeyin.
- Dışarıdaki kökleri kesme: En büyük köklerle başlayın. Önce dikey yönde, ardından yatay yönde kesin.
- Kertik açma: Kertik, ağacın düşme yönünü belirler ve yönlendirir. Kertik ağacın düşeceği tarafa açıılır. Kertici mümkün olduğu kadar aşağıdan açmaya çalışın. Önce, ağaç gövdesinin yaklaşık 1/5 - 1/3 derinliği kadar yatay kesimi gerçekleştirin. Kertici aşırı büyük açmayın. Ardından diyagonal kesimi gerçekleştirin. (Şekil 28)

- Kertik üzerinde yaptığınız herhangi bir düzeltmeyi kertiğin tüm genişliği boyunca uygulayın.
- Karşı kesimi, kertiğin taban kesiminden biraz daha yüksekte yapın. Karşı kesim tam olarak yatay olmalı. Kertik ile karşı kesimin arasında, ağaç gövdesinin yaklaşık 1/10'lük bir bölümü kesmeden bırakın. Gövdenin kesilmeyen bölümündeki ağaç lifleri menteşe işlevini görür. Kesinlikle tüm lifleri kesmeyin. Aksi takdirde ağaç kontrolsüz devrilir. Kamaları karşı kesige zamanında yerleştirin. **(Şekil 29)**
- Karşı kesigi açık tutmak için sadece plastik veya alüminyum kamalar kullanılabilir. Demir kamalar kullanılmamalıdır.
- Ağaç düşerken yana doğru çekilin. Düşen ağacın gerisinde, devrilme ekseninin her iki yönünde yaklaşık 45°'lik açığı kapsayan bir alanı boş bırakın (bkz. "Kesme alanı"). Düşen dallara dikkat edin.
- Kesme işlemine başlamadan önce bir kaçış yolu planlanmalı ve gerekirse bu yoldaki engeller kaldırılmalıdır. Bu kaçış yolu geriye ve resimde gösterildiği gibi düşme hattının arkasına doğru, çapraz bir şekilde uzanmalıdır. **(Şekil 30)**

BAKIM

⚠ DİKKAT:

- Makine üzerinde kontrol veya bakım işlemlerine başlamadan önce mutlaka makinenin kapalı ve fişinin çekili olduğundan emin olun.
 - Herhangi bir kontrol veya bakım işlemi sırasında daima koruyucu eldiven kullanın.
 - Kesinlikle gazolin, benzin, tiner, alkol veya benzeri bir madde kullanmayın. Aksi takdirde renk bozulması, deformasyon veya çatlaklar meydana gelebilir.
- Aşağıda gösterilen bakım işlemlerini düzenli aralıklarla uygulayın. Bu işlemlerin düzenli ve doğru şekilde uygulanmadığı durumlarda, garanti şartları geçerli değildir.

Sadece burada belirtilen bakım işlemleri kullanıcı tarafından yapılmalıdır. Diğer her tür işlem yalnızca MAKITA yetkili servis merkezleri tarafından yürütülmelidir.

Ağaç kesim motorunun temizlenmesi

Ağaç kesim motorunu temiz bir bezle düzenli olarak temizleyin. Özellikle sapların yağdan tamamen arındırılmış olması gerekir.

Plastik gövdeyi kontrol etme

Ağaç kesim motoru gövdesinin bütün parçalarını düzenli olarak gözden geçirerek kontrol edin. Herhangi bir parça arızalıysa, yetkili MAKITA servis merkezleri tarafından derhal ve doğru şekilde onarılmasını sağlayın.

Testere zincirinin bilenesmi

⚠ DİKKAT:

- Testere zinciri üzerinde herhangi bir işleme başlamadan önce daima elektrik fişini çekin ve koruyucu eldiven kullanın.

Şu durumlarda testere zincirini bileyin: **(Şekil 31)**

- Yaş ağaç kesilirken un gibi talaş oluşuyorsa;
- Kuvvetli baskı uygulanmasına rağmen, zincir ağaca girmekte zorlanıyorsa;

- Kesme kenarı net bir şekilde bozulmuş ve hasar görmüş ise;
- Testere ağacın içinde sola veya sağa çekiyoorsa. Bunun nedeni, testere zincirinin dengesiz bilenesmi veya sadece bir tarafın hasar görmüş olmasıdır.

Testere zincirini düzenli olarak bileyin ancak her bilemede sadece çok ince bir tabaka alın.

Rutin bileme işi için eğeyle iki üç darbe genellikle yeterlidir. Testere zinciri birçok kez bilenesmi ise, zincirin bir yetkili MAKITA servis merkezi tarafından bilenesmini sağlayın.

Bileme kriterleri:

- Tüm bıçak uzunluğu mutlaka eşit olmalıdır. Farklı uzunluklardaki bıçaklar, zincirin düzgün hareket etmesini önler ve zincirin kopmasına yol açabilir.
- Minimum bıçak uzunluğu olan 3 mm'ye ulaşıldığında zinciri bileyin. Bu durumda artık yeni bir zincirin takılması gerekir.
- Talaş kalınlığı, derinlik mesnedi (yuvarlak burun) ile kesme kenarı arasındaki mesafe tarafından belirlenir.
- En iyi kesme sonuçları, kesme kenarı ile derinlik mesnedi arasında aşağıdaki belirtilen mesafe elde edildiğinde alınmıştır.
90PX zincir bıçağı: 0,5 mm
91PX zincir bıçağı: 0,65 mm **(Şekil 32)**

⚠ UYARI:

- Mesafenin aşırı büyük olması, geri tepme riskini artırır.
- 30°'lik bileme açısı tüm bıçaklarda aynı olmalıdır. Açıların farklı olması, zincirin pürüzlü ve düzensiz çalışmasına, çabuk aşınmasına ve kopmasına yol açar.
- Bıçağın yan plaka açısı, yuvarlak eğenin nüfuz ettiği derinlik ile belirlenir. Belirtilen eğe kullanıldığında, doğru yan plaka açısı otomatik olarak oluşur.
- Her bir testere zinciri için uygun yan plaka açıları şu şekildedir:
90PX zincir bıçağı: 75°
91PX zincir bıçağı: 80° **(Şekil 33)**

Eğe ve eğe kullanımı

- Zinciri bilemek amacıyla, testere zincirleri için özel yuvarlak eğeler kullanın (opsiyonel aksesuar). Normal yuvarlak eğeler bu iş için uygun değildir.
- Her bir testere zinciri için yuvarlak eğe çapları şu şekildedir:
90PX zincir bıçağı: 4,5 mm
91PX zincir bıçağı: 4,0 mm
- Eğe sadece ileri doğru hareketinde bıçakla temas etmelidir. Eğeyi geriye doğru çekerken bıçağın üzerinden kaldırın.
- Bilemeye en kısa bıçaktan başlayın. Ardından, bu en kısa bıçağın uzunluğu testere zincirindeki diğer tüm bıçaklar için standart olarak alınmalıdır.
- Eğeyi şekilde gösterildiği gibi yönlendirin. **(Şekil 34)**
- Eğenin daha kolay yönlendirilebilmesi için bir eğe tutucu kullanılabilir (opsiyonel aksesuar). Eğe tutucu üzerinde, 30°'lik doğru bileme açısı işaretlenmiş (işaretleri testere zincirine paralel olarak hizalayın), aynı zamanda işleme derinliği de sınırlanmıştır (eğe çapının 4/5'i kadar). **(Şekil 35)**
- Zinciri biledikten sonra, derinlik mesnedinin yüksekliğini, zincir mesnedi (opsiyonel aksesuar) ile kontrol edin. **(Şekil 36)**

- Ne kadar küçük olursa olsun, çıkıntı oluşturan her tür malzemeyi özel bir yassı eğeyle (opsiyonel aksesuar) yok edin.
- Derinlik mesnedinin ön kısmını tekrar yuvarlatın.

Palayı temizleme ve zincir dişlisini yağlama

⚠ DİKKAT:

- Bu işlemi yaparken daima koruyucu eldiven kullanın. Çapaklar yaralanmalara yol açabilir.
- Palanın yüzeylerinde hasar olup olmadığını düzenli olarak kontrol edin. Palayı uygun bir araçla temizleyin ve gerekirse çapakları yok edin. (**Şekil 37**)
- Ağaç kesim motoru sık kullanılıyorsa, zincir dişlisi yatağını en az haftada bir kez yağlayın. Yeni gres eklemeyen önce, palanın ucundaki 2 mm'lik deliği dikkatlice temizleyin ve ardından küçük bir miktar çok amaçlı gresi (opsiyonel aksesuar) deliğe uygulayın.

Yağ beslemenin temizlenmesi (Şekil 38)

- Yağ besleme oluğunu ve palanın üzerindeki yağ besleme deliğini düzenli aralıklarla temizleyin.

Yeni testere zincirleri

İki veya üç testere zincirini dönüşümlü olarak kullanın. Böylece testere zinciri, zincir dişlisi ve palanın yüzeyleri eşit şekilde aşınır. Zinciri değiştirirken, pala oluğunun eşit şekilde aşınması için palayı çevirin.

⚠ DİKKAT:

- Sadece bu model için öngörülen zincirleri ve palaları kullanın (bkz. "TEKNİK ÖZELLİKLER").

Yeni bir testere zinciri takmadan önce, zincir dişlisinin durumunu kontrol edin. (**Şekil 39**)

⚠ DİKKAT:

- Aşınmış bir zincir dişlisi yeni testere zincirine hasar verir. Bu durumda zincir dişlisini yenileyin.
- Zincir dişlisini değiştirdiğinizde daima yeni bir sabitleme halkası kullanın.

Zincir ve motor frenlerinin bakımı

Frenleme sistemleri çok önemli güvenlik özellikleridir. Ağaç kesim motorunun tüm diğer bileşenleri gibi, bu tertibatlarda da belirli bir oranda aşınma gerçekleşir. Mutlaka yetkili MAKITA servis merkezleri tarafından düzenli olarak kontrol edilmelidir. Bu önlem kendi güvenliğiniz için önemlidir.

Makinenin muhafaza edilmesi

Biyolojik olarak ayrıştırılabilir zincir yağı sadece belirli bir süre muhafaza edilebilir. Üretim tarihinden iki yıl sonra biyolojik yağlar yapışkanlaşmaya başlar ve yağ pompasına ve yağlama sistemindeki diğer bileşenlere hasar verir.

- Ağaç kesim motorunu uzun bir süre kullanmayacağınız zaman, yağ haznesini boşaltın ve yerine küçük bir miktar makine yağı (SAE 30) doldurun.
- Biyolojik yağın kalıntılarını haznedeki yağlama sisteminden ve testere mekanizmasından atmak için ağaç kesim motorunu kısa bir süre çalıştırın.

NOT:

- Ağaç kesim motoru kullanım dışı kaldığında, bir süre sonra makineden az miktarda zincir yağı sızabilir. Bu durum normaldir ve bir arıza belirtisi olarak algılanmamalıdır.
- Ağaç kesim motorunu uygun bir yüzeyde muhafaza edin. Ağaç kesim motorunu tekrar kullanmaya başlamadan önce, haznesine yeni BIOTOP testere zinciri yağı doldurun.
- Ürünün EMNİYETLİ ve GÜVENİLİR durumda tutulması için tüm onarımlar, karbon fırça kontrolü, parça değiştirme, bakım veya ayarlamalar mutlaka Makita yedek parçaları kullanılarak, Makita yetkili servisleri veya fabrika servis merkezleri tarafından yapılmalıdır.

SORUN GİDERME

Onarım talebinde bulunmadan önce, kendiniz kontrol edin. Kılavuzda açıklanmamış herhangi bir sorunla karşılaşırsanız, makineyi sökmeye çalışmayın. Bunun yerine, Yetkili Makita Servis Merkezlerine danışın.

Arıza durumu	Olası nedeni	Çözümü
Ağaç kesim motoru çalışmıyor.	Güç beslemesi yoktur.	Güç beslemesine bağlayın. Güç beslemesini kontrol edin.
	Kablo hasarlıdır.	Makineyi kullanmayı derhal bırakın ve size en yakın yetkili servis merkezine danışın.
	Makine arızalıdır.	Makineyi kullanmayı derhal bırakın ve size en yakın yetkili servis merkezine danışın.
Zincir çalışmıyor.	Zincir freni takılmıştır.	Zincir frenini serbest bırakın.
Yetersiz performans.	Karbon fırça aşınmıştır.	Onarım için size en yakın yetkili servis merkezine danışın.
Zincirde yağ yoktur.	Yağ deposu boştur.	Yağ deposunu doldurun.
	Yağ besleme oluğu kirlidir.	Oluğu temizleyin.
	Yağ pompası ayar vidası yanlış ayarlanmıştır.	Yağ pompası besleme hızını ayarlayın.
Zincir freni devreye alınsa dahi zincir durmuyor.	Fren bandı aşınmıştır.	Makineyi kullanmayı derhal bırakın ve size en yakın yetkili servis merkezine danışın.
Makine anormal titreşimli çalışıyor.	Palayı veya testere zincirini gevşetin.	Palanın ve testere zincirinin gerilimini ayarlayın.
	Makine arızalıdır.	Makineyi kullanmayı derhal bırakın ve size en yakın yetkili servis merkezine danışın.

014314

OPSİYONEL AKSESUARLAR

⚠ DİKKAT:

- Bu kullanım kılavuzunda tanıtılan Makita marka makineyle aşağıdaki aksesuarların ve parçaların kullanılması önerilir. Bunların dışında başka aksesuarların veya parçaların kullanılması yaralanmalara yol açabilir. Aksesuarlar ve parçalar doğru şekilde ve öngörüldükleri işlevler için kullanılmalıdır.

Aksesuarlara ilişkin daha ayrıntılı bilgi almak için size en yakın yetkili Makita servisine başvurabilirsiniz.

- Testere zinciri
- Pala kapağı
- Pala
- Zincir mesnedi
- Yuvarlak ege, 4,0 mm
- Yuvarlak ege, 4,5 mm
- Düz ege
- Ege tutucu ve 4,0 mm'lik ege
- Ege tutucu ve 4,5 mm'lik ege
- Ege sapı
- Testere zinciri yağı
- Çok amaçlı gres
- Gres tabancası

NOT:

- Listedeki bazı parçalar makineyle birlikte standart aksesuar olarak verilebilir. Ürünle verilen aksesuarlar ülkeden ülkeye farklılıklar gösterebilir.

Gürültü

ENG905-1

EN60745 uyarınca belirlenen tipik A ağırlıklı gürültü seviyesi:

- Ses basıncı seviyesi (L_{pA}): 90,3 dB (A)
- Ses gücü seviyesi (L_{WA}): 101,3 dB (A)
- Belirsizlik (K): 2,5 dB (A)

Koruyucu kulaklık takın.

Titreşim

ENG900-1

EN60745'e göre belirlenen toplam titreşim değeri (üç eksenli vektörel toplam):

- Çalışma modu: ahşap kesme
- Titreşim emisyonu (a_{sa}): 4,7 m/san²
- Belirsizlik (K): 1,5 m/san²

ENG901-1

- Belirtilen titreşim emisyonu değeri, standart test yöntemine göre ölçülmüştür ve makinenin diğer makinelerle karşılaştırılması için kullanılabilir.
- Belirtilen titreşim emisyonu değeri ayrıca maruziyetin ön değerlendirilmesinde de kullanılabilir.

⚠ UYARI:

- Elektrikli aletin gerçek kullanımı sırasında ortaya çıkacak titreşim emisyonu, aletin kullanıma şekline bağlı olarak belirtilen emisyon değerinden farklı olabilir.
- Gerçek kullanım koşullarındaki maruziyeti tahmin ederek (örneğin, aletin açılma süresine ek olarak kapalı konuma getirildiği ve rölantide çalıştığı süreler gibi çalışma döngüsünün tüm bileşenlerini dikkate alın), kullanıcıyı korumak için gerekli güvenlik önlemlerinin alındığından emin olun.

AT Uygunluk Beyanı

Makita aşağıdaki Makine(ler) ile ilgili şu hususları beyan eder:

Makinenin Adı:
Ağaç Kesim Motoru
Model Numarası/Tipi: UC3041A, UC3541A,
UC4041A
Teknik Özellikler: bkz. "TEKNİK ÖZELLİKLER"
tablosu.

Şu Avrupa Yönergelerine uygundur:

2000/14/EC, 2006/42/EC

Şu Standartlara veya standartlaştırılmış belgelere uygun olarak üretilmiştir:

EN60745

2006/42/EC'ye uygun Teknik dosyaya şu adresten ulaşılabilir:

Makita, Jan-Baptist Vinkstraat 2, 3070, Belçika
2000/14/EC sayılı Direktif tarafından istenen uygunluk değerlendirme prosedürü, Ek V'e uygundur.
Ölçülen Ses Gücü Düzeyi: 102,2 dB (A)
Garanti Edilen Ses Gücü Düzeyi: 104 dB (A)

26. 4. 2013



Yasushi Fukaya
Müdür

Makita, Jan-Baptist Vinkstraat 2, 3070, Belçika

Makita Corporation

Anjo, Aichi, Japan/

Makita Jan-Baptist Vinkstraat 2, 3070, Belgium