

TUNTURI®

HG40 Home Gym

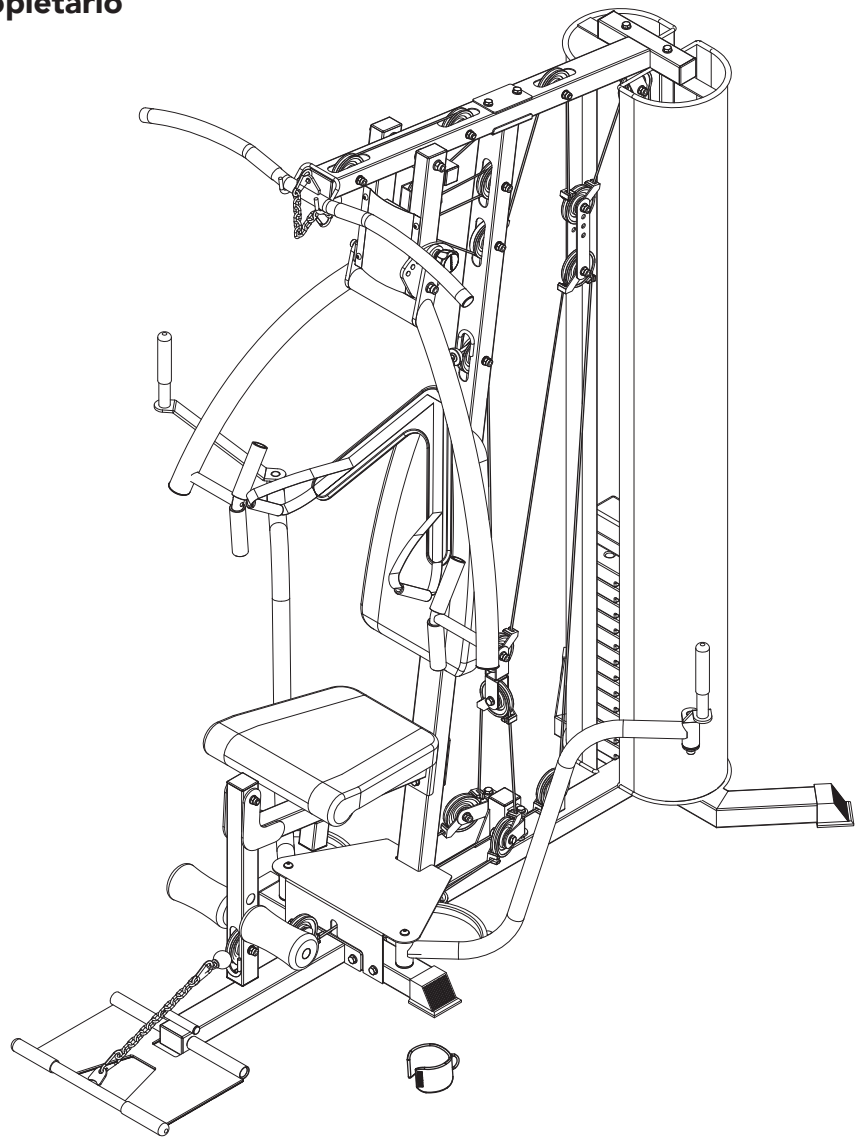
User manual

Benutzerhandbuch

Manuel de l'utilisateur

Gebruikershandleiding

Manual del propietario

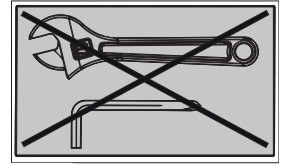


Important: Bitte beachten: Attention: Belangrijk: Nota:

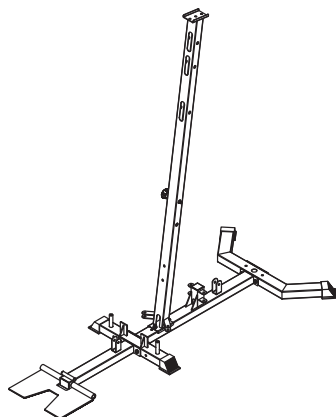
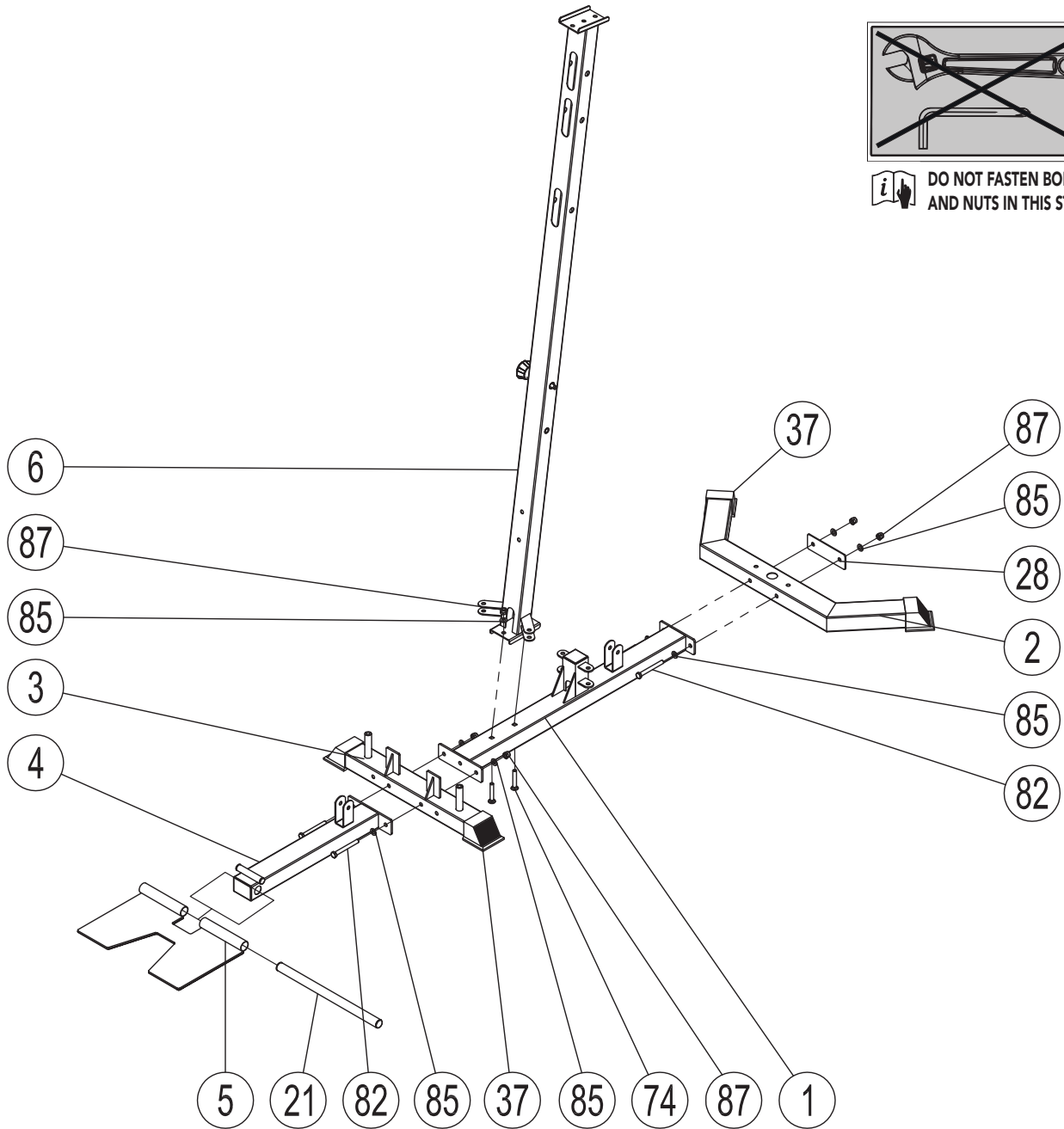
- Please read this Owner's manual before assembling this product.
- Bitte lesen Sie dieses Handbuch durch, bevor Sie mit er Montage dieses Produkts beginnen.
- Veuillez lire ce manuel avant de commencer le montage de ce produit.
- Leest u deze handleiding voordat u dit apparaat installeert.
- Lea este manual antes de iniciar el montaje de este producto.

#1

Assembly Step, Montagechritt, Assemblage Étape, Montagestap, Montaje paso



DO NOT FASTEN BOLTS AND NUTS IN THIS STEP



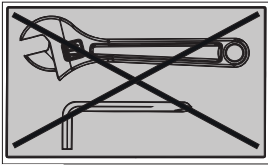
1#		Qty:1
2#		Qty:1
3#		Qty:1
4#		Qty:1
5#		Qty:1

6#		Qty:1
21#		Qty:1
28#		Qty:1
37#		Qty:4

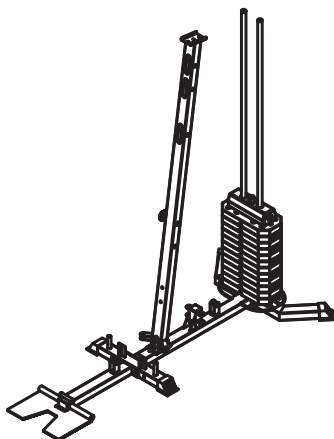
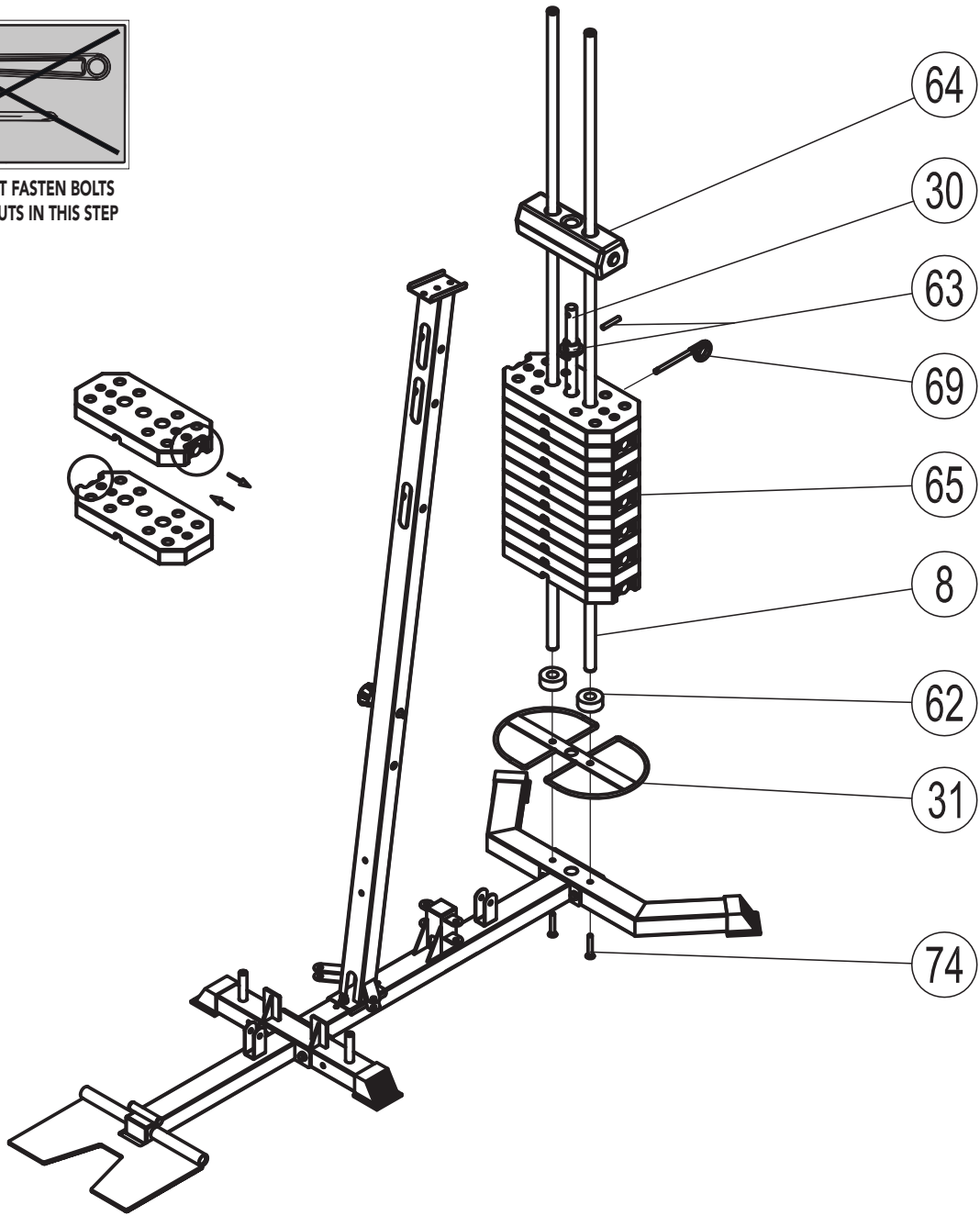
74#		M10*60	Qty:2
82#		M10*95	Qty:4
85#		10	Qty:10
87#		M10	Qty:6

2

Assembly Step, Montagechritt, Assemblage Étape, Montagestep, Montaje paso



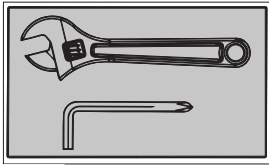
DO NOT FASTEN BOLTS AND NUTS IN THIS STEP



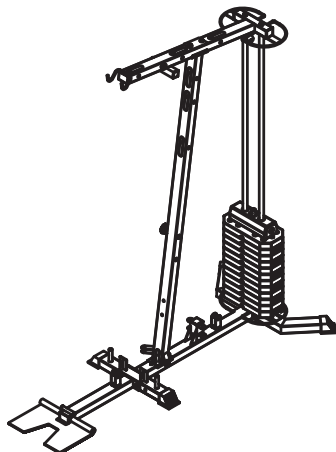
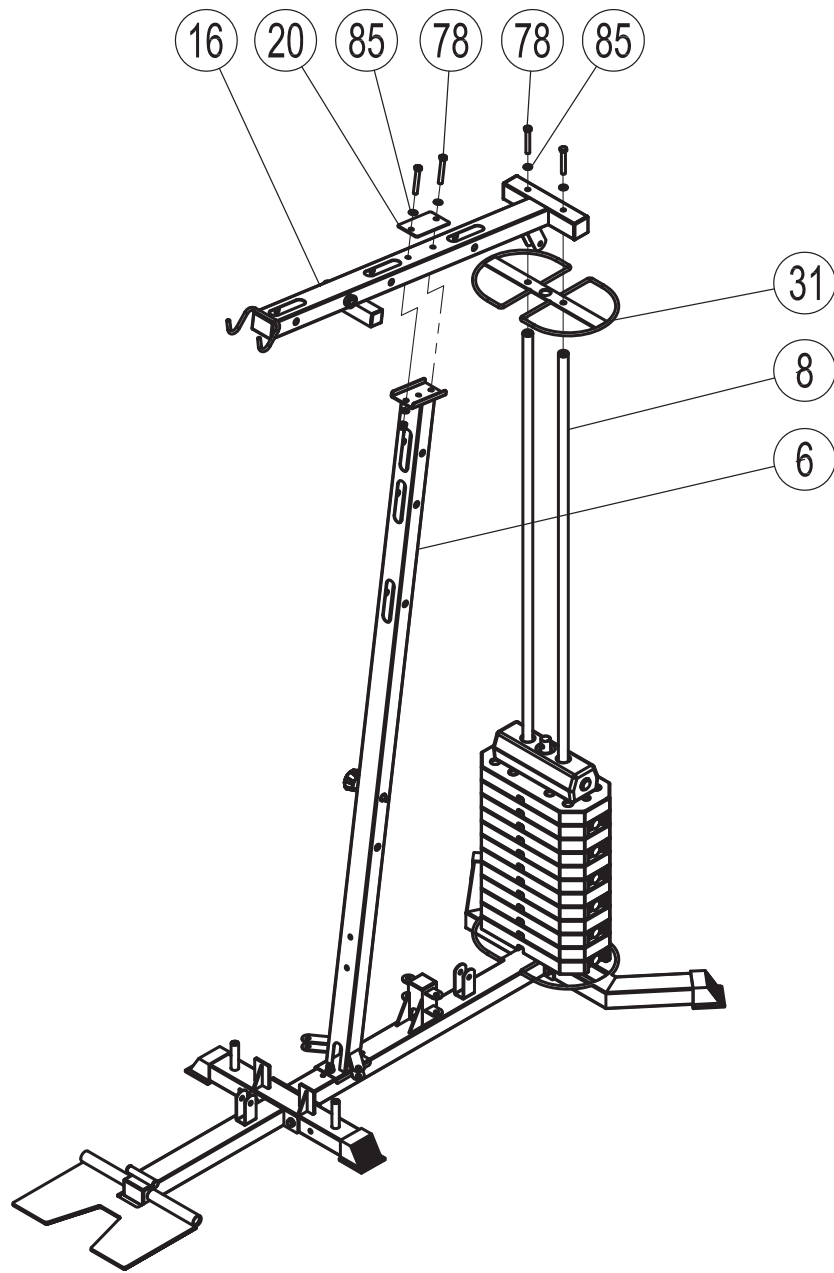
8#		Qty:2	63#		Qty:1	74#		M10*60	Qty:2
30#		Qty:1	64#		Qty:1				
31#		Qty:1	65#		Qty:12				
62#		Qty:2	69#		Qty:1				

3

Assemblby Step, Montagechritt, Assemblage Étape, Montagestap, Montaje paso



DO FASTEN ALL BOLTS AND NUTS IN THIS STEP AND BOLTS AND NUTS OF FORMER STEPS

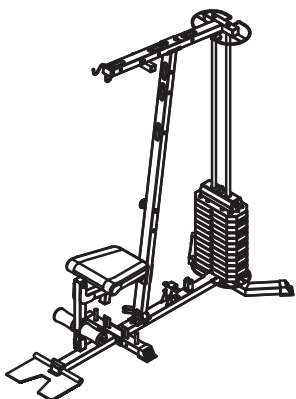
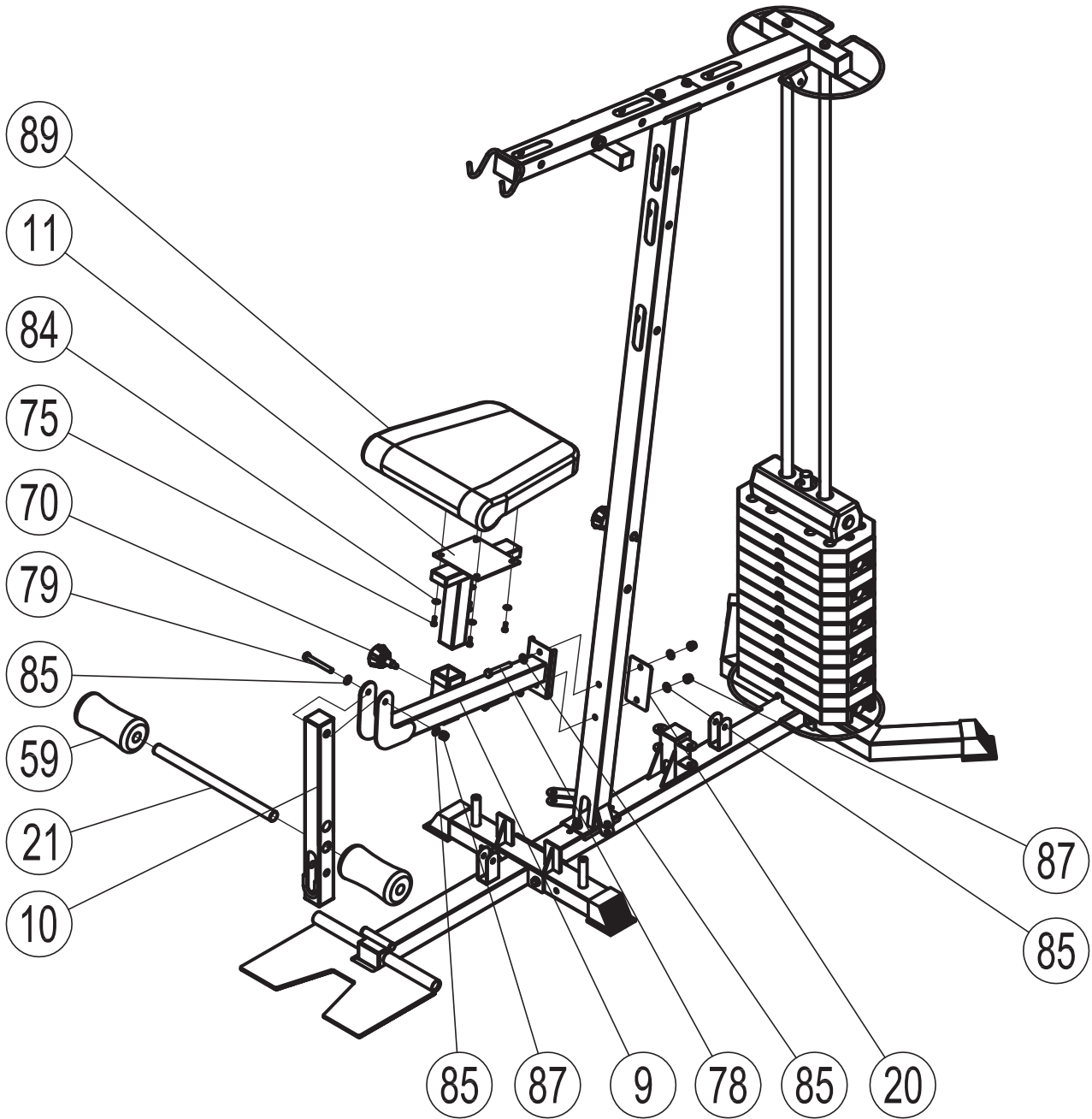


16#		Qty:1
20#		Qty:1
31#		Qty:1

78#		M10*70	Qty:4
85#		10	Qty:6
87#		M10	Qty:2

4

Assembly Step, Montagechritt, Assemblage Étape, Montageschritt, Montaje paso



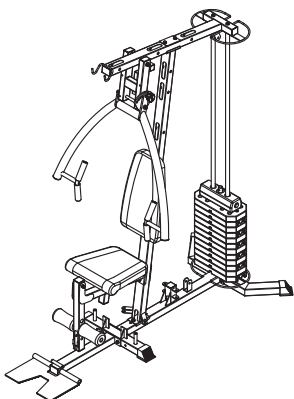
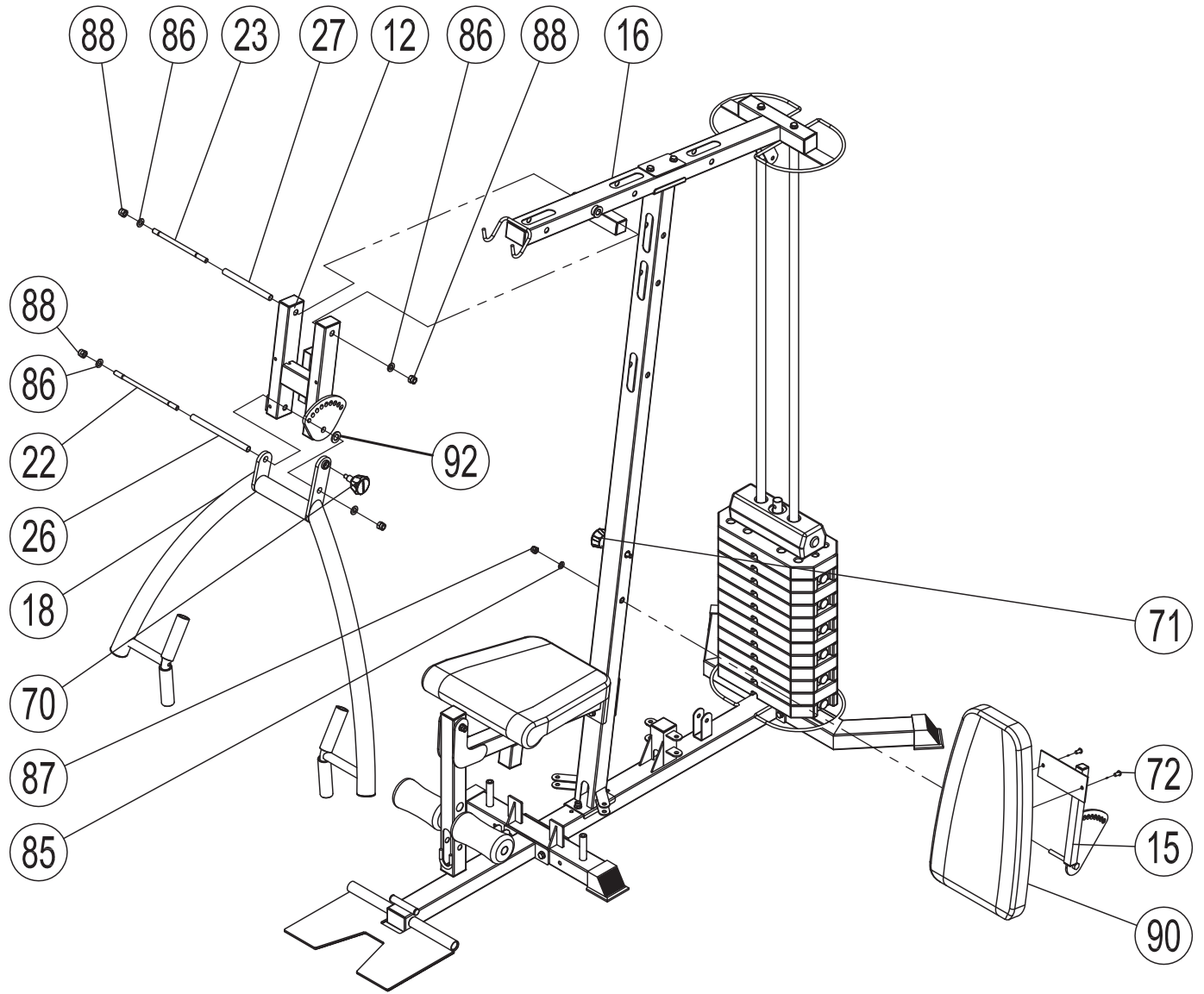
9#		Qty:1
10#		Qty:1
11#		Qty:1
20#		Qty:1

21#		Qty:1
59#		Qty:2
70#		Qty:1
89#		Qty:1

75#		M6*16	Qty:4
78#		M10*70	Qty:2
79#		M10*75	Qty:1
84#		6	Qty:4
85#		10	Qty:6
87#		M10	Qty:3

5

Assembly Step, Montagechritt, Assemblage Étape, Montagestap, Montaje paso



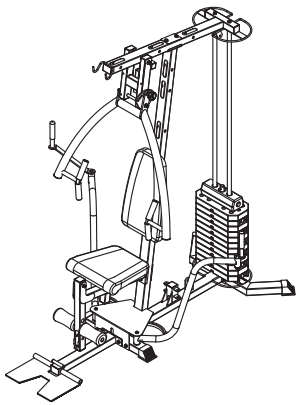
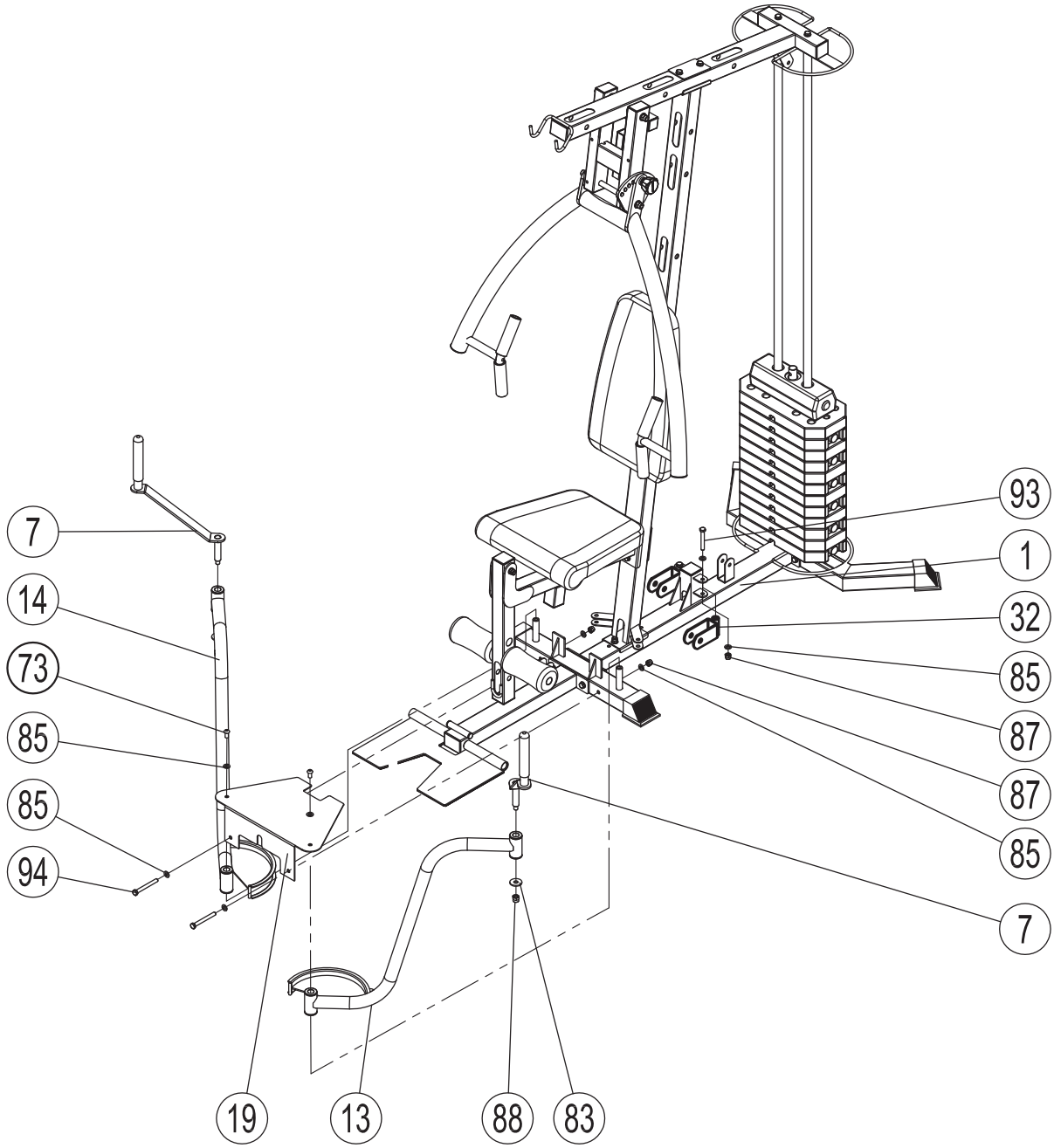
12#		Qty:1
15#		Qty:1
18#		Qty:1
22#		Qty:1
23#		Qty:1

26#		Qty:1
27#		Qty:1
70#		Qty:1
90#		Qty:1

72#		M8*16	Qty:2
85#		10	Qty:1
86#		12	Qty:4
87#		M10	Qty:1
88#		M12	Qty:4
92#		16	Qty:1

6

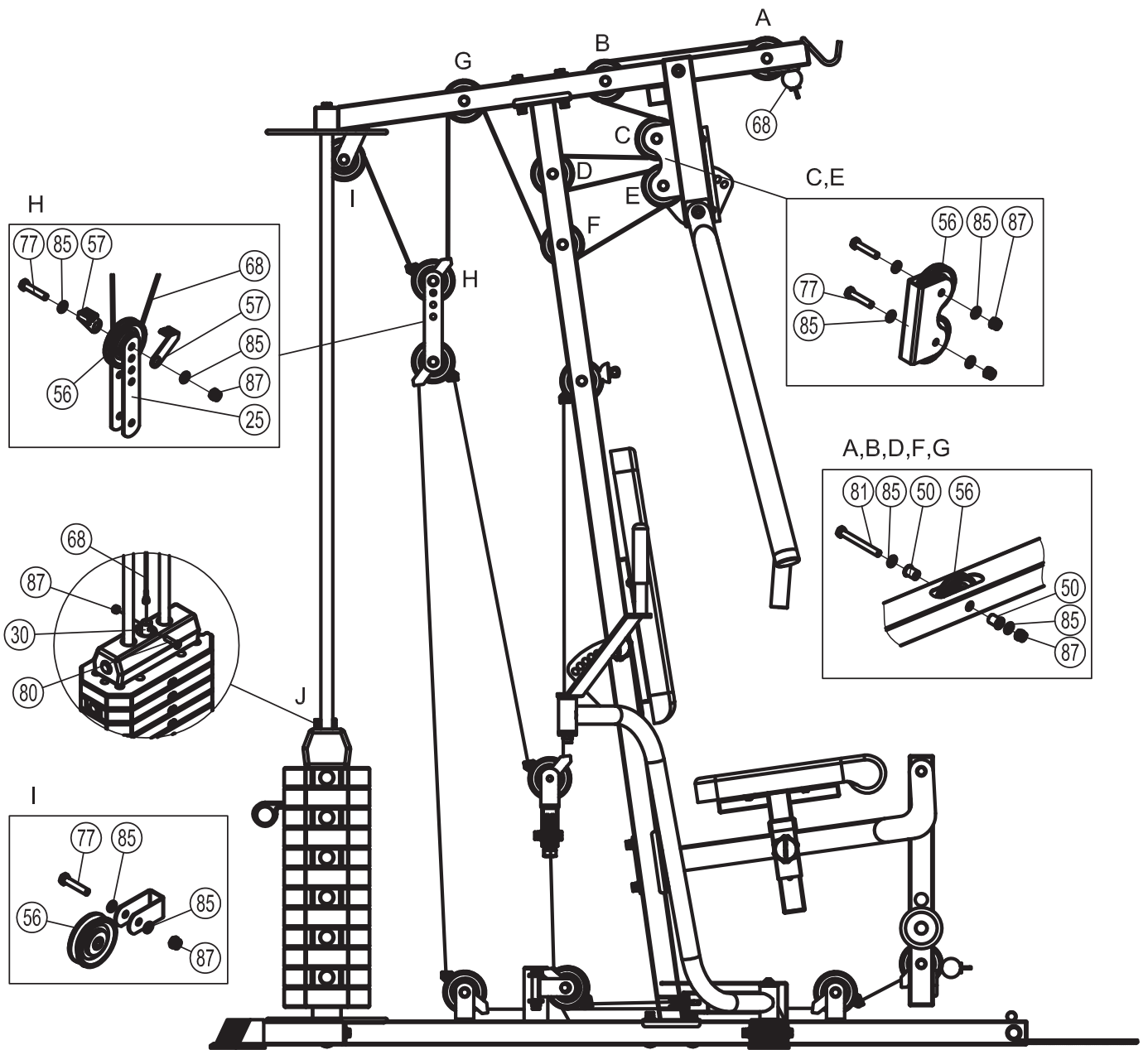
Assemblby Step, Montagechritt, Assemblage Étape, Montagestap, Montaje paso



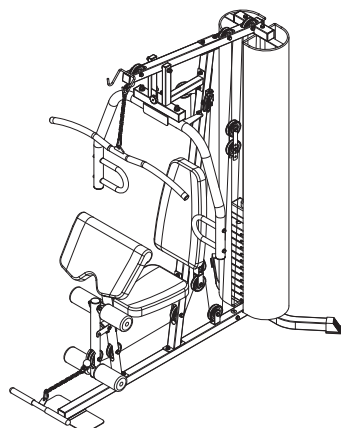
7#		Qty:2
13#		Qty:1
14#		Qty:1
19#		Qty:1
32#		Qty:2

73#		M10*20	Qty:2
83#		Big 12	Qty:2
85#		10	Qty:10
87#		M10	Qty:4
88#		M12	Qty:2
93#		M10*73	Qty:2
94#		M10*88	Qty:2

Assemby Step, Montagechritt, Assemblage Étape, Montagestap, Montaje paso



#68: A → B → C → D → E → F → G → H → I → J

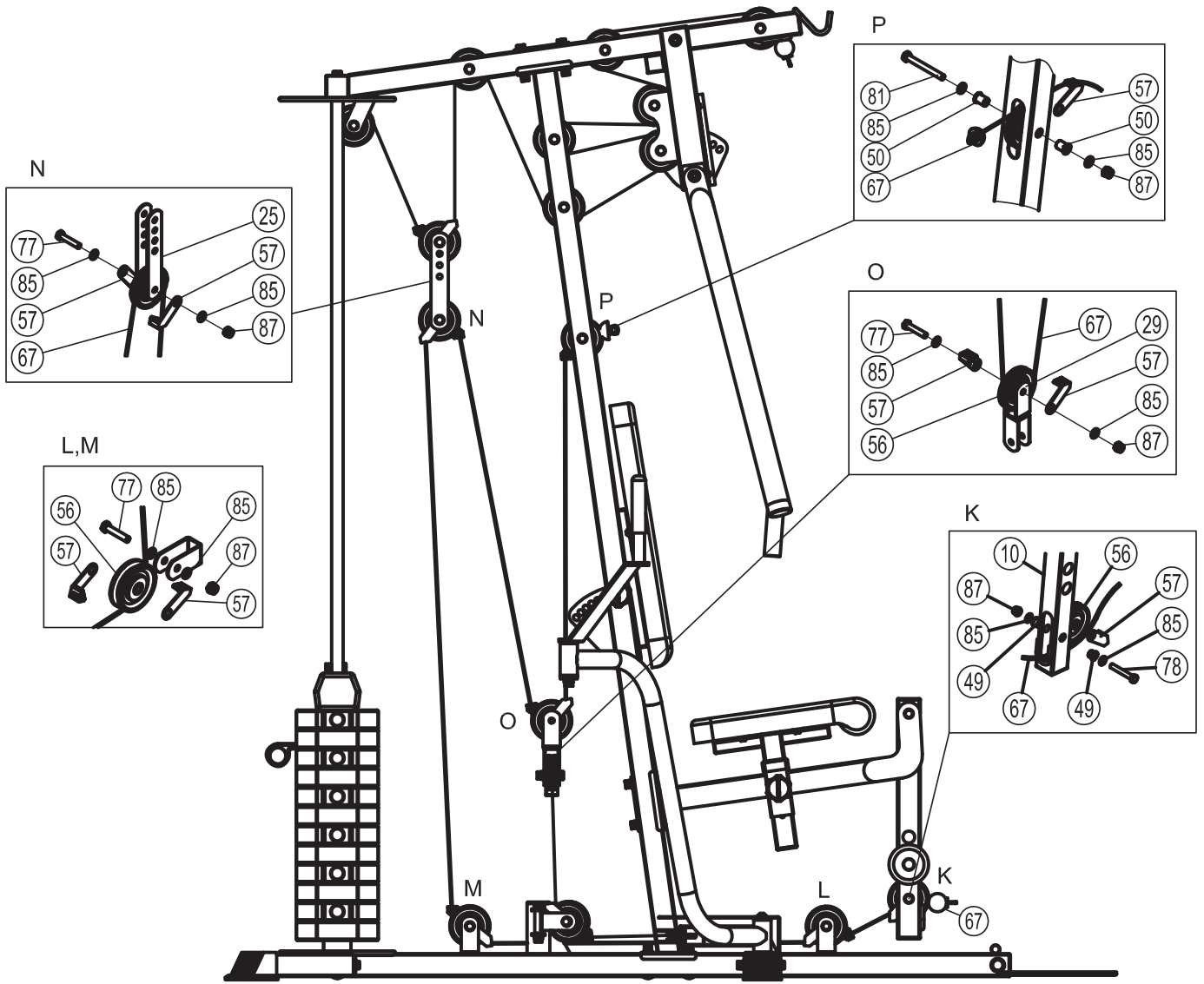


25#		Qty:2
57#		Qty:2
68#		Qty:1
50#		Qty:10

56#		φ 90	Qty:9
77#		M10*48	Qty:4
80#		M10*35	Qty:1
81#		M10*90	Qty:5
85#		10	Qty:18
87#		M10	Qty:10

8

Assembly Step, Montagechritt, Assemblage Étape, Montagestap, Montaje paso



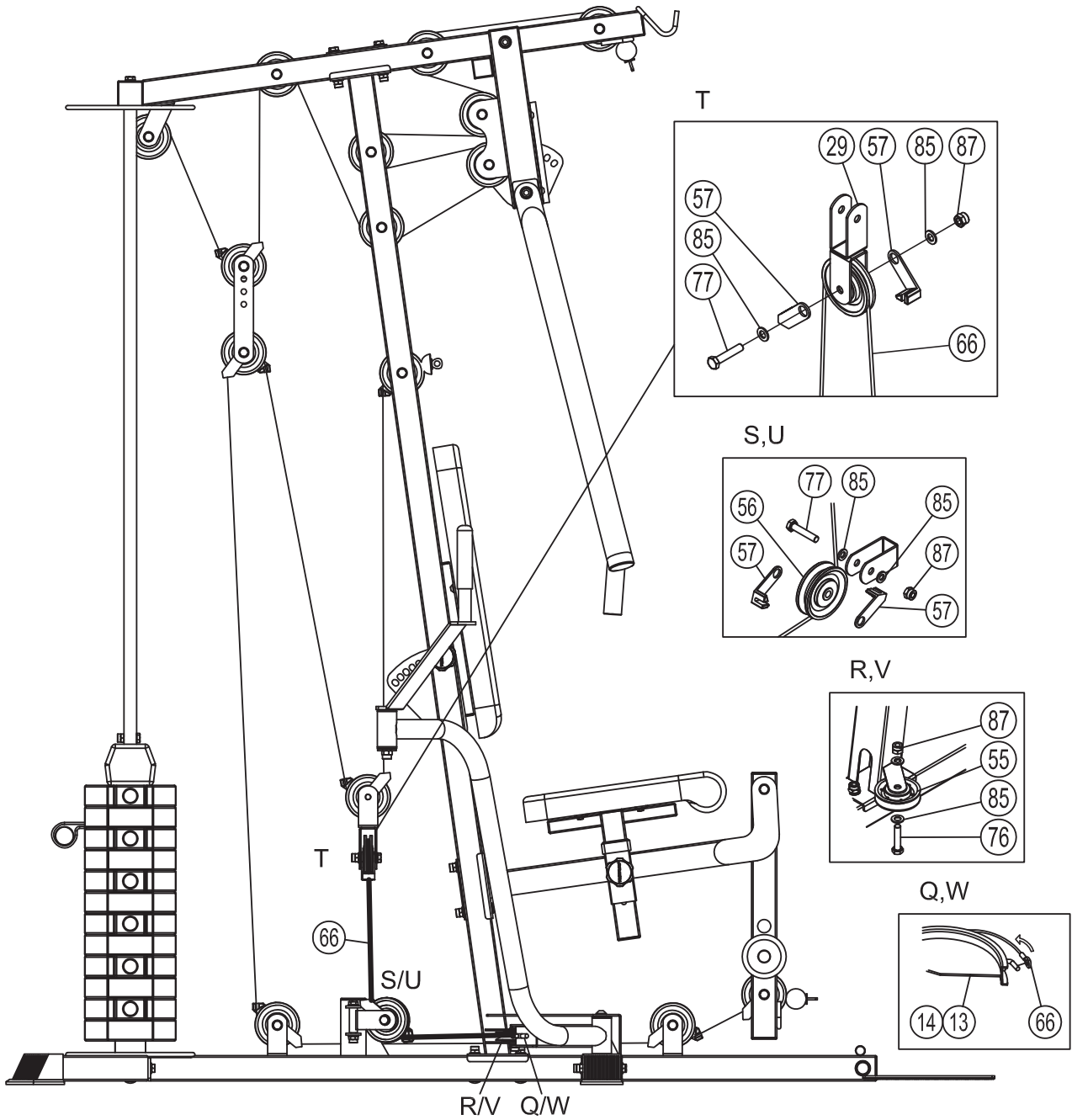
#67: K → L → M → N → O → P

29#		Qty:1
57#		Qty:10
67#		400cm Qty:1
49#		11 Qty:2
50#		24 Qty:2

56#		φ 90	Qty:6
77#		M10*48	Qty:4
78#		M10*70	Qty:1
81#		M10*90	Qty:1
85#		10	Qty:12
87#		M10	Qty:6

9

Assembly Step, Montagechritt, Assemblage Étape, Montagestap, Montaje paso



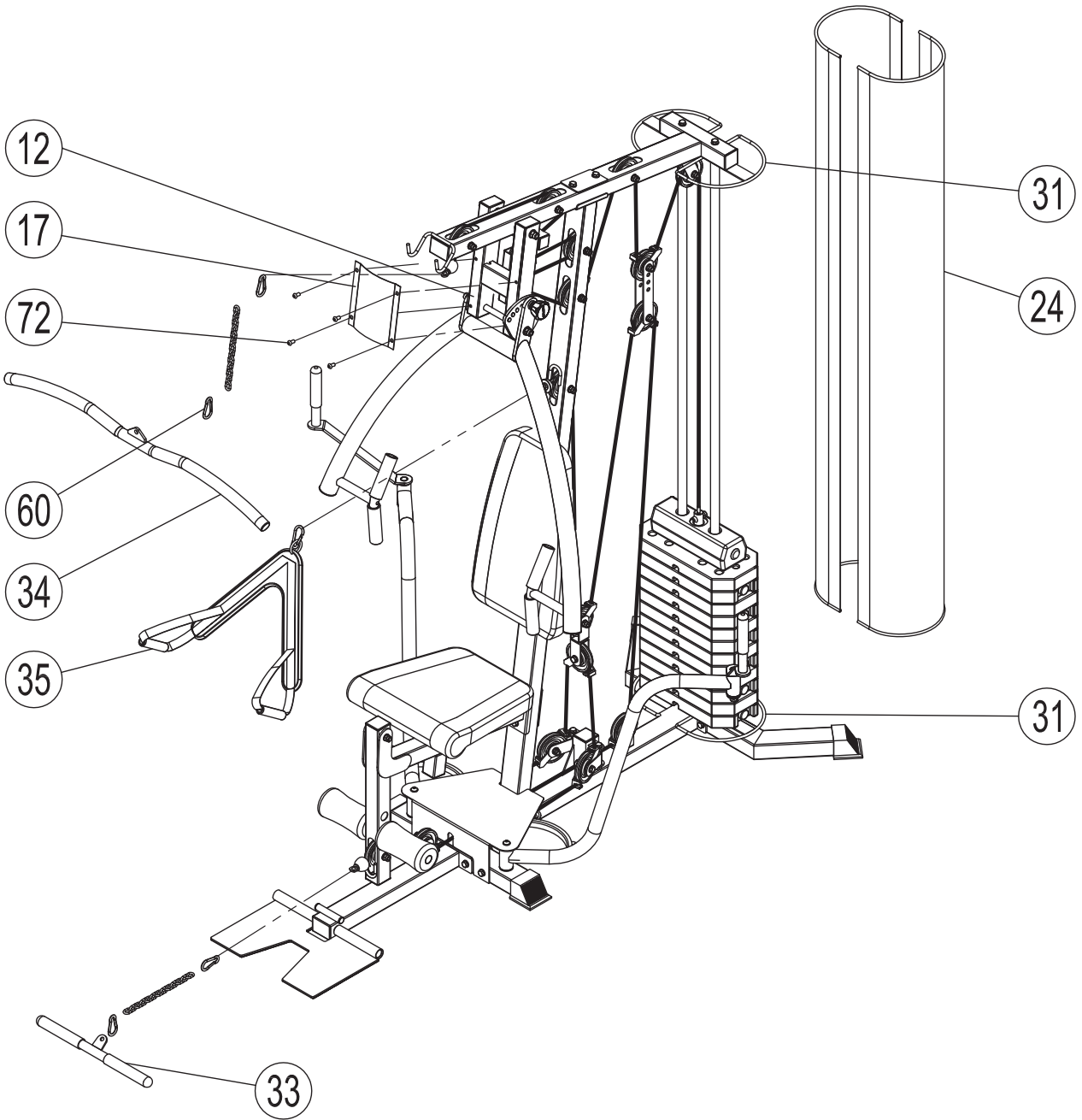
#66: Q → R → S → T → U → V → W

57#			Qty:6
66#		227cm	Qty:1
55#		φ 70	Qty:2
56#		φ 90	Qty:3


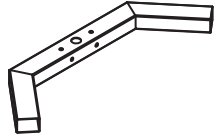
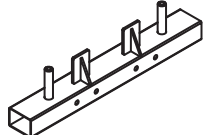
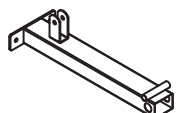
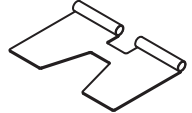

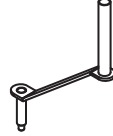
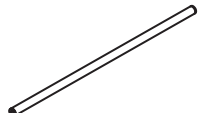
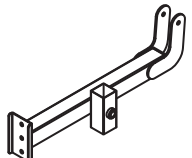
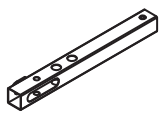
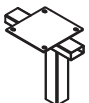
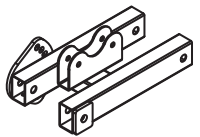
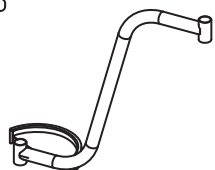
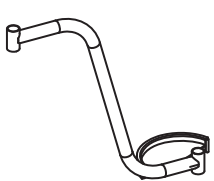
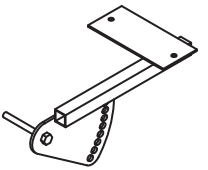

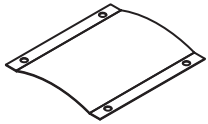
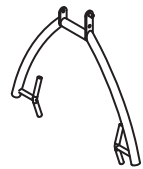
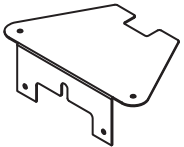
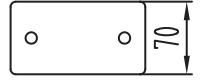
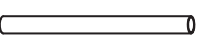
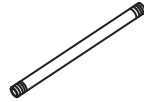
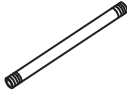


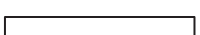

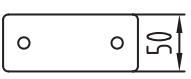
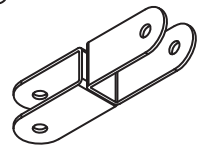
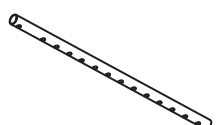
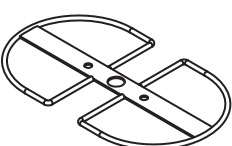
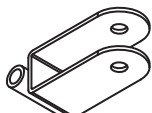

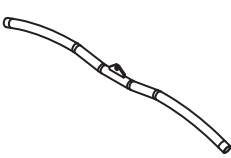
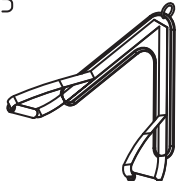

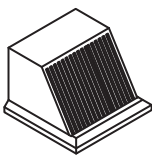



76#		M10*43	Qty:2
77#		M10*48	Qty:3
85#		10	Qty:10
87#		M10	Qty:5

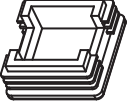
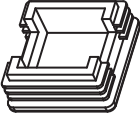
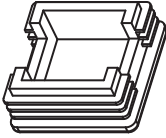
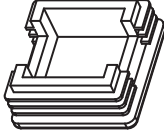
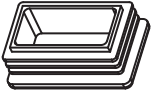
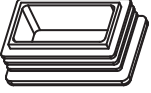
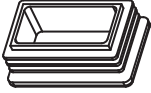






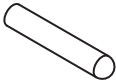



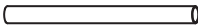


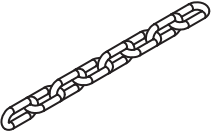


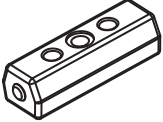
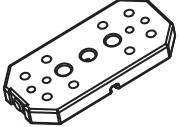

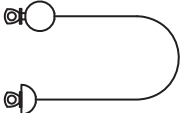
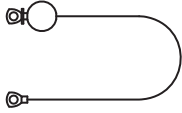
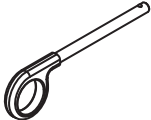

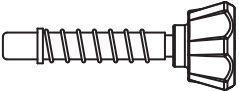


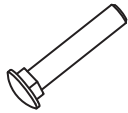



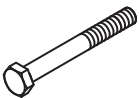
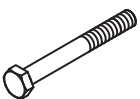

10

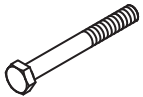
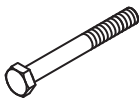










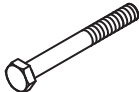
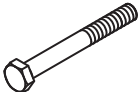
Assembly Step, Montagechritt, Assemblage Étape, Montagestap, Montaje paso

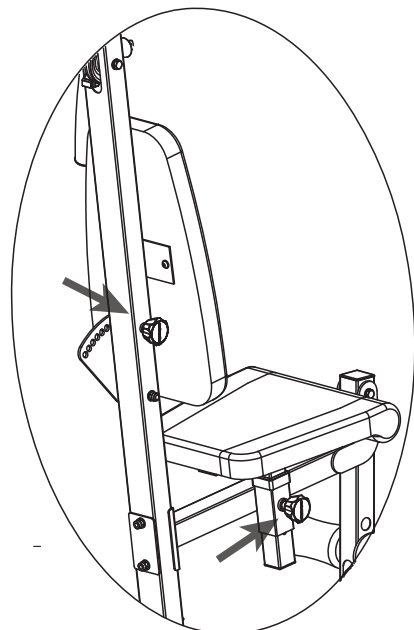
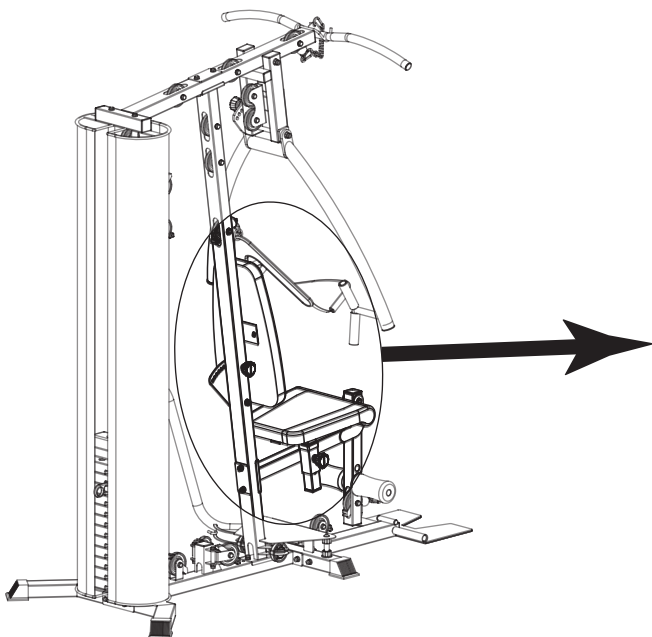
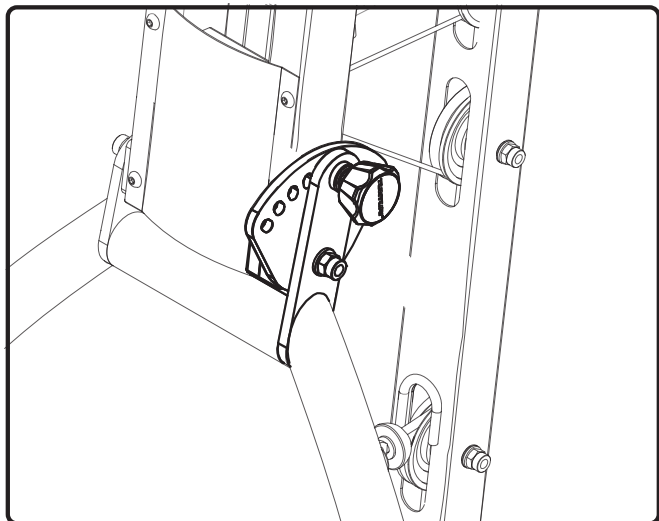
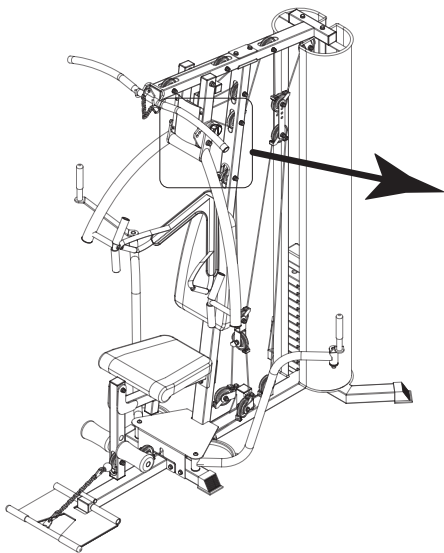


17#		Qty:1	35#			Qty:1
24#		Qty:2	60#			Qty:5
33#		Qty:1	61#			Qty:2
34#		Qty:1	72#		M8*16	Qty:4

1		2		3		4		5	
6		7		8		9		10	
11		12		13		14		15	
16		17		18		19		20	
21		22		23		24		25	
26		27		28		29		30	
31		32		33		34		35	
36		37		38		39		40	

41 	42 	43 	44 	45 
46 	47 	48 	49 	50 
51 	52 	53 	54 	55 
56 	57 	58 	59 	60 
61 	62 	63 	64 	65 
66 	67 	68 	69 	70 
71 	72 	73 	74 	75 
76 	77 	78 	79 	80 

81 	82 	83 	84 	85 
86 	87 	88 	89 	90 
91 	92 	93 	94 	



Index

Before you begin	16
Important safety notice	16
Important assembly information	17
Fasten Nuts and Bolts	17
Weight plate installation.....	17
Operation notes	17
Weight Plate Selection	17
Cable Tension Adjustment	18
Adjusting the backrest inclination	18
Adjusting the vertical seat position	18
Front press position.....	18
Weight resistance chart	18
Exercise guidelines	18
Building Muscle and Gaining Weight.....	18
Muscle Strength and Endurance	19
Training Intensity	19
Beginning a Strength Building Program.....	19
Care and maintenance	20
Limited warranty	20
Ordering replacement parts	20
Disclaimer	20
Weight capacity and dimension	20

Before you begin

Thank you for selecting the Tunturi Eclipse HG20 Compact home gym.

For your safety and benefit, read this manual carefully before using the equipment. We are committed to provide you complete customer satisfaction. If you have any questions, or find there are missing or damaged parts, we guarantee you complete satisfaction through direct assistance. To avoid unnecessary delays, please contact our customer service department, Monday to Friday 9am – 5pm GMT + 1 hour.

Tunturi New Fitness B.V.
E mail: service.international@tunturi-fitness.com

www.tunturi-fitness.com
E mail: info@tunturi-fitness.com

Important safety notice

This exercise equipment is built for optimum safety. However, certain precautions apply whenever you operate a piece of exercise equipment. Be sure to read the entire manual before you assemble or operate your equipment. In particular, note the following safety precautions:

1. Keep children and pets away from the equipment at all times. DO NOT leave children unattended in the same room with the equipment.
2. Only one person at a time should use the equipment.
3. If the user experiences dizziness, nausea, chest pain, or any other abnormal symptoms, STOP the workout at once. CONSULT A PHYSICIAN IMMEDIATELY.
Position the equipment on a clear, leveled surface. DO NOT use the equipment near water or outdoors.
4. Keep hands away from all moving parts.
5. Always wear appropriate workout clothing when exercising. DO NOT wear robes or other clothing that could become caught in the equipment. Running or aerobic shoes are also required when using the equipment.
6. Use the equipment only for its intended use as described in this manual. DO NOT use attachments not recommended by the manufacturer.
7. Do not place any sharp object around the equipment.
8. Disabled person should not use the equipment.
9. Before using the equipment to exercise, always do stretching exercises to properly warm up.
10. Never operate the equipment if the equipment is not functioning properly.
11. A spotter is recommended during exercise.
12. This equipment is designed and intended for home and consumer use only, not for commercial use.

Warning:

Before beginning any exercise program, consult your physician. This is especially important for individuals over the age of 35 or persons with pre-existing health problems.

Read all instructions before using any fitness equipment.

Tunturi New fitness bv. assumes no responsibility for personal injury or property damage sustained by or through the use of this product.

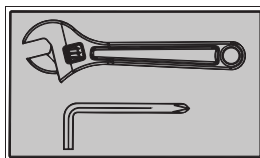
Save these instructions!**Important assembly information**

- Tools Required for Assembling the Bench: Two Adjustable Wrenches and Allen Wrenches.

NOTE:

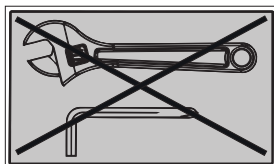
It is strongly recommended that this equipment is assembled by two or more people to avoid possible injury.

- Ensure Carriage Bolts are inserted through the SQUARE holes on components that need to be assembled. Attach washer only to end of the Carriage Bolt.
- Use Allen Bolts or Hex Bolts inserted through the ROUND hole on components that need to be assembled.
- Always wait until all bolts are assembled onto the bench before tightening the bolts. Do not tighten each bolt right after it is installed

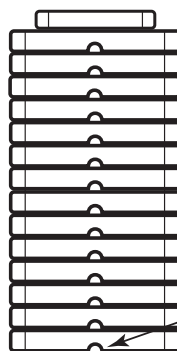
Fasten Nuts and Bolts

Securely tighten all Nuts and Bolts after all components have been assembled in current and previous steps.

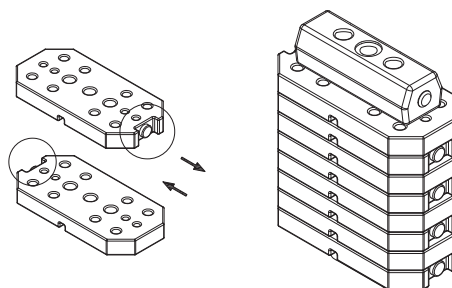
NOTE: Do not over tighten any component with pivoting function. Make sure all pivoting components are able to move freely.



Do not tighten all Nuts and Bolts in this step.

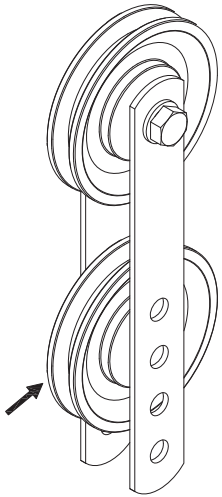
Weight plate installation

Slide weight plates onto Guide Rod from top to bottom. The deep groove on each weight plate needs to face front and downwards.

**Operation notes****Weight Plate Selection**

1. Use the Weight Selector Pin to select the number of weight plates to exercise.
2. Do not insert weight selector pin while the weight stack or top plate is in elevated position.
3. Be certain the weight Selector Pin is completely inserted.
4. Each Weight Plate weights approximately 5kgs.
5. Please refer to Weight Resistance Chart page.
6. Never use dumbbells or other means to increase the weight resistance. Use only weight plates provided by manufacturer.
7. For safety purpose while the equipment is not in use. Insert the Lock Pin into the hole on Guide Rod, to prevent the movement of Weight Plates.

Cable Tension Adjustment



Adjust the tension of the Cable System by moving the position of lower Pulley on the two Double Floating Pulley Brackets.

- If the tension is too loose, move the lower pulley up by one hole.
- If the tension is too tight, move the lower pulley down by one hole

Adjusting the backrest inclination

1. Pull the adjustment knob.
2. Move the backrest to the required position.
3. Release the adjustment knob.

Adjusting the vertical seat position

1. Pull the adjustment knob.
2. Move the seat to the required position.
3. Release the adjustment knob.

Front press position

1. Pull the adjustment knob.
2. Move the front press frame into required position.
3. Release the adjustment knob.

Weight resistance chart

Weight Plate	Front Press	Butterfly	Lat Pull	Low pulley	AB Crunch	Led Developer
1	9	5	10	10	10	12
2	15	7	18	15	15	17
3	22	10	23	20	20	23
4	28	13	27	25	25	28
5	35	15	32	30	30	34
6	41	18	36	35	35	39
7	47	21	41	40	40	45
8	54	24	45	45	45	50
9	60	26	50	50	50	55
10	66	29	55	55	55	61
11	72	31	59	60	60	66
12	79	35	64	65	65	72
13	85	37	68	70	70	77

Note:

- Each plate weights 5 kgs.
- Numbers are approximate.
- Actual weights may vary.
- Values for Butterfly are for each arm.

Values are shown in kgs

Exercise guidelines

Building Muscle and Gaining Weight

Unlike aerobic exercise, which emphasizes endurance training, anaerobic exercise focuses on strength training. A gradual weight gain can occur while building the size and strength of muscles. While developing muscle mass, your body adapts to the stress placed upon it. You can modify your diet to include foods such as meat, fish and vegetables.

These foods help muscles recover and replenish important nutrients after a strenuous workout.

Muscle Strength and Endurance

To achieve the greatest benefit from exercise, it is important to develop an exercise program that allows you to work all of the major muscle groups equally.

To increase muscles strength; follow this principle: Increasing resistance and maintaining the number of repetitions of an exercise results in increased muscle strength.

To tone your body, follow the principle: Decreasing resistance plus increasing the number of repetitions of an exercise results in increased body tone.

Once you feel comfortable with an exercise, you can change the resistance, the number of repetitions, or the speed at which you do the exercise. It is not necessary to change all three variables. For example, let's say that you are training at 22kgs and performing the exercise 10 times in 3 minutes. When this becomes too easy, you may decide to move up lifting 27kgs for the same number of repetitions in the same amount of time. Lifting more weights fewer times most often develops muscle strength. To gain both muscle strength and endurance, it is recommended that you perform each exercise 15 to 20 reps per set.

Training Intensity

How hard you begin to train depends on your overall level of fitness. The soreness you experienced can be lessened by decreasing the load you place on your muscles and by performing fewer sets. To avoid injury, you should gradually work into an exercise program and set the load to your individual fitness level. The load should increase as your fitness level increases.

Muscle soreness is common, especially when you first start exercising. If you are painfully sore for a long time, it may be time to change your program. Eventually, your muscle system will become accustomed to the stress and strain placed on it

Beginning a Strength Building Program

Warming Up

To begin strength training, it is important to stretch and perform light exercise for 5 to 10 minutes. This helps prepare the body for more strenuous exercise by increasing circulation, raising your body temperature and developing more oxygen to your muscles.

Workout

Each workout to keep in mind that muscle soreness that lasts for a long period is not desirable and may mean that injury has occurred.

Cool Down

At the end of each workout, perform slow stretching exercises for 5 to 10 minutes. Ease into each stretch only going as far as you can. This stage allows your muscles wind down after training.

To provide a total workout program it is also recommended that 2 to 3 days of aerobic exercise is performed in addition to the strength training.

Drinking Water

For the body to function properly, it must be properly hydrated. If you are exercising, you should increase your fluid intake. The reason for this is that the water you take in will leave your system through the sweating mechanism that cools your body during exercise. The water you lose through exercise must be replaced so that the muscles can recover properly.

Rest Day

Although you may not feel like doing it, taking a rest day at least once a week is important because it gives your body a chance to heal itself. Continuously working your muscle will result in over training which will not benefit in the long run.

Care and maintenance

1. Lubricate moving parts with WD-40 or light oil periodically.
2. Inspect and tighten all parts before using the equipment.
3. The equipment can be cleaned using a damp cloth and mild non-abrasive detergent. DO NOT use solvents.
4. Examine the equipment regularly for signs of damages or wear.
5. Replace any defective components immediately and/or keep the equipment out of use until repair.
6. Failure to examine regularly may affect the safety level of the equipment.

Limited warranty

Tunturi New Fitness warrants this product to be free from defects in workmanship and material, under normal use and service conditions, for a period of two years on the frame and one year on all other parts and components from the date of purchase. This warranty extends only to the original purchaser. Tunturi New Fitness's obligation under this Warranty is limited to replacing damaged or faulty parts at Tunturi New Fitness's option.

All returns must be pre-authorized by Tunturi New Fitness. This warranty does not extend to any product or damage to a product caused by or attributable to freight damage, abuse, misuse, improper or abnormal usage, purchasers own repairs or for products used for commercial or rental purposes. No other warranty beyond that specifically set forth above is authorized by Tunturi New Fitness.

Tunturi New Fitness is not responsible or liable for indirect, special or consequential damages arising out of or in connection with the use or performance of the product or other damages with respect to any economic loss, loss of property, loss of revenues or profits, loss of enjoyments or use, costs of removal, installation or other consequential damages or whatsoever natures.

The warranty extended hereunder is in lieu of any and all other warranties and any implied warranties of merchantability or fitness for a particular purpose is limited in its scope and duration to the terms set forth herein.

Your statutory rights are not affected.

Ordering replacement parts

Replacement parts can be ordered by contacting our Customer Support Department, Monday to Friday, 9am – 5pm GMT +1 hour:

E mail: service.international@tunturi-fitness.com

When ordering replacement parts, please give the following information,

1. Model
2. Description of Parts
3. Part Number
4. Date of Purchase

Further contact information or user manuals in other languages can be found on our website.

Disclaimer

© 2016 Tunturi New Fitness BV.
All rights reserved

The product and the manual are subject to change. Specifications can be changed without further notice

Weight capacity and dimension

1. Maximum user weight: 125 kgs.
2. Assembled Dimension: 195 x 164 x 212 cms

Deutsch

Bitte beachten:

Diese deutsche Bedienungsanleitung ist eine Übersetzung des englischen Textes. Es können keine Rechte auf diese Übersetzung abgeleitet werden. Die ursprüngliche Englische Text Vorrang.

Index

Index21
Bevor Sie beginnen21
Wichtiger Sicherheitshinweis.....21
Wichtige Montageinformationen22
 Fasten Nuts and Bolts 22
 Montage der Gewichtsplatte..... 23
Betriebshinweise23
 Auswahl der Gewichtsplatte 23
 Einstellung der Seilspannung 23
 Einstellen der Rückensehnenneigung 23
 Einstellen der vertikalen Sitzposition..... 23
 Einstellen der Vordere presse Sitzposition 23
Gewichtswiderstandstabelle24
Übungsrichtlinie24
 Muskelaufbau und Gewichtszunahme 24
 Muskelstärke und Ausdauer 24
 Trainingsintensität..... 24
 Beginn eines Programms zum Kraftaufbau 25
Pflege und Wartung.....25
Eingeschränkte Garantie25
Bestellung von Ersatzteilen.....26
Haftungsausschluss26
Tragkraft und Abmessung26

Bevor Sie beginnen

Vielen Dank, dass Sie sich für den Tunturi Eclipse HG20 Compact home gym. entschieden haben. Zu Ihrer Sicherheit sollten Sie dieses Handbuch vor Verwendung des Geräts sorgfältig durchlesen. Als Händler sind wir um vollständige Kundenzufriedenheit bemüht. Sollten Sie Frage haben oder sollten Teile fehlen oder beschädigt sein, garantieren wir Ihnen vollständige Zufriedenheit durch direkte Unterstützung. Um unnötige Verzögerungen zu vermeiden, wenden Sie sich an unsere Kundendienstabteilung, Montag bis Freitag, 9.00 Uhr - 17.00 Uhr GMT 1 Stunde.

Tunturi New Fitness B.V.
 E mail: service.international@tunturi-fitness.com

www.tunturi-fitness.com
 E mail: info@tunturi-fitness.com

Wichtiger Sicherheitshinweis

Das Trainingsgerät ist für optimale Sicherheit konstruiert. Jedoch gelten bestimmte Vorsichtsmaßnahmen, wenn Sie ein Trainingsgerät betreiben. Lesen Sie das gesamte Handbuch durch, bevor Sie das Gerät montieren oder betreiben. Beachten Sie insbesondere die folgende Sicherheitsmaßnahmen:

1. Halten Sie Kinder und Haustiere immer vom Gerät fern. Lassen Sie Kinder NICHT unbeaufsichtigt mit dem Gerät in einem Raum.
2. Das Gerät darf nur jeweils von einer Person gleichzeitig verwendet werden.
3. Wenn sich Schwindel, Übelkeit, Brustschmerzen oder andere abnorme Symptome beim Benutzer einstellen, sollte das Training sofort beendet werden. SUCHEN SIE SOFORT EINEN ARZT AUF.
4. Stellen Sie das Gerät auf eine saubere, ebene Fläche. Verwenden Sie das Gerät NICHT in der Nähe von Wasser oder im Freien.
5. Halten Sie die Hände von beweglichen Teilen fern.

6. Tragen Sie während des Trainings immer geeignete Sportkleidung. Tragen Sie keine langen Röcke oder andere Kleidung, die sich im Gerät verfangen kann. Tragen Sie bei Verwendung des Geräts Lauf- oder Aerobic-Schuhe.
7. Verwenden Sie das Gerät nur für den beabsichtigten Gebrauch wie in diesem Handbuch beschrieben. Verwenden Sie keine Anbauteile, die NICHT vom Hersteller empfohlen sind.
8. Stellen Sie keine spitzen Gegenstände rund um das Gerät auf.
9. Behinderte Personen dürfen das Gerät nicht ohne Beaufsichtigung durch eine qualifizierte Person oder einen Arzt benutzen.
10. Machen Sie vor Verwendung des Geräts immer Dehnübungen, um sich aufzuwärmen.
11. Verwenden Sie das Gerät nicht, wenn es nicht richtig funktioniert.
12. Für das Training wird ein Helfer empfohlen.
13. Stecken Sie den Gewichtsauswahlstift nicht hinein, während sich der Gewichtsstapel oder die obere Platte in einer erhöhten Position befinden.
14. Achten Sie darauf, dass der Auswahlstift vollständig hineingesteckt ist.
15. Verwenden Sie keine Hanteln oder andere Mittel, um den Gewichtswiderstand zu erhöhen. Verwenden Sie nur vom Hersteller gelieferte Gewichtsplatten.
16. Das Gerät ist für den privaten Gebrauch und nicht für den gewerblichen Gebrauch gedacht.

Warnung:

Ziehen sie vor Durchführung eines Übungsprogramms ihren Arzt zu rate. dies gilt insbesondere für Personen über 35 Jahre oder für Personen mit bestehenden gesundheitlichen Problemen.
 lesen sie vor Verwendung von Fitnessgeräten die gesamte Anleitung durch.
 Tunturi New Fitness bv übernimmt keine Verantwortung für Verletzungen oder Sachschäden, die durch dieses Produkt oder durch Verwendung dieses Produkts entstehen.

Bewahren sie diese Anleitung auf!

Wichtige Montageinformationen

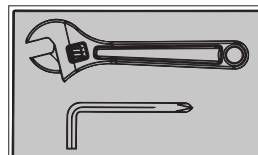
- Für die Montage der Bank erforderliche Werkzeuge: Zwei verstellbare Schraubenschlüssel und Inbusschlüssel.

Bitte Beachten:

Dieses Gerät sollte unbedingt von mindestens zwei Personen montiert werden, um Verletzungen zu vermeiden.

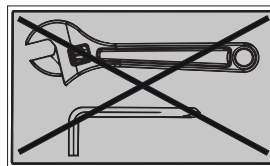
- Achten Sie darauf, dass Schlossschrauben durch die QUADRATISCHEN Löcher an den zu montierenden Komponenten gesteckt werden. Bringen Sie Beilagscheiben nur am Ende der Schlossschrauben an.
- Stecken Sie Inbusschrauben oder Sechskantschrauben durch das RUNDE Loch an den zu montierenden Komponenten.
- Warten Sie immer, bis alle Schrauben an der Bank montiert sind, bevor Sie die Schrauben festziehen. Ziehen Sie die einzelnen Schrauben nicht direkt nach ihrer Montage an.

Fasten Nuts and Bolts



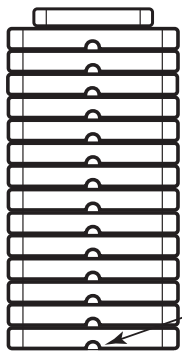
Ziehen Sie die Muttern und Schrauben fest an, nachdem alle Komponenten im aktuellen und in den vorherigen Schritten montiert wurden.

BITTE BEACHTEN: Ziehen Sie Komponenten mit Drehfunktion nicht zu fest an. Vergewissern Sie sich, dass sich alle Drehkomponenten frei drehen können.

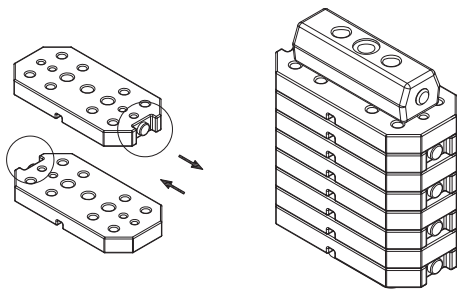


Ziehen Sie nicht alle Muttern und Schrauben in diesem Schritt fest.

Montage der Gewichtplatte



Schieben Sie die Gewichtsplatten von oben nach unten auf den Führungsstab. Die tiefe Nut an jeder Gewichtplatte muss nach vorne und unten zeigen



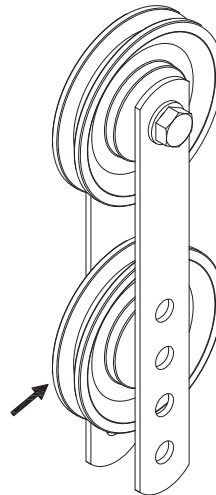
Deep Groove
tiefe Nutfn

Betriebshinweise

Auswahl der Gewichtplatte

1. Verwenden Sie den Gewichtsauswahlstift, um die Anzahl der Gewichtsplatten für die Übung auszuwählen.
2. Stecken Sie den Gewichtsauswahlstift nicht hinein, während sich der Gewichtsstapel oder die obere Platte in einer erhöhten Position befinden.
3. Achten Sie darauf, dass der Auswahlstift vollständig hineingesteckt ist.
4. Jede Gewichtplatte wiegt ca. 5 kg.
5. Informationen finden Sie auf der Seite mit der Gewichtswiderstandstabelle.
6. Verwenden Sie keine Hanteln oder andere Mittel, um den Gewichtswiderstand zu erhöhen. Verwenden Sie nur die vom Hersteller gelieferten Gewichtsplatten.
7. Aus Sicherheitsgründen nur, wenn das Gerät gerade nicht verwendet wird. Stecken Sie den Schlossstift in das Loch an der Führungstange, um den Stift zu verriegeln sodass der Stift eine Bewegung der Gewichtsplatten verhindert..

Einstellung der Seilspannung



Stellen Sie die Spannung des Seilsystems ein, indem Sie die Position des unteren Seilzugs an den beiden doppelten schwebenden Seilzughaltern bewegen.

- Wenn die Spannung zu lose ist, bewegen Sie den unteren Seilzug um ein Loch nach oben
- Wenn die Spannung zu straff ist, bewegen Sie den unteren Seilzug um ein Loch nach unten.

Einstellen der Rückensehnenneigung

1. Ziehen Sie den Einstellknopf.
2. Bewegen Sie die Rückenlehne in die erforderliche Position.
3. Lassen Sie den Einstellknopf los.

Einstellen der vertikalen Sitzposition

1. Ziehen Sie den Einstellknopf.
2. Bewegen Sie den Sitz in die erforderliche Position.
3. Lassen Sie den Einstellknopf los.

Einstellen der Vordere presse Sitzposition

1. Ziehen Sie den Einstellknopf.
2. Bewegen Sie den Vordere presse in die erforderliche Position.
3. Lassen Sie den Einstellknopf los.

Gewichtswiderstandstabelle

Gewichtsplatte	Vordere presse	Butterfly	Lat zug	Untere seilzug	AB Crunch	Beinentwickler
1	9	5	10	10	10	12
2	15	7	18	15	15	17
3	22	10	23	20	20	23
4	28	13	27	25	25	28
5	35	15	32	30	30	34
6	41	18	36	35	35	39
7	47	21	41	40	40	45
8	54	24	45	45	45	50
9	60	26	50	50	50	55
10	66	29	55	55	55	61
11	72	31	59	60	60	66
12	79	35	64	65	65	72
13	85	37	68	70	70	77

Hinweis:

- Jede Platte wiegt 5 kg.
- Die Zahlen sind ungefähre Werte.
- Die tatsächlichen Gewichte können sich unterscheiden.
- Butterfly-Werte sind für jeden Arm.

Werte sind in kg angegeben

Übungsrichtlinie

Muskelaufbau und Gewichtszunahme

Anders als aerobe Übungen, die das Training der Ausdauer betonen, konzentrieren sich anaerobe Übungen auf das Krafttraining. Eine allmähliche Gewichtszunahme kann eintreten, wenn die Größe und die Stärke der Muskeln aufgebaut wird. Während der Entwicklung von Muskelmasse passt sich der Körper an die Belastung an, die auf ihn wirkt. Sie können Ihre Ernährung so ändern, dass sie Lebensmittel wie Fleisch, Fisch und Gemüse beinhaltet. Diese Lebensmittel helfen Muskeln bei der Regeneration und bieten wichtige Nährstoffe nach einem anstrengenden Training.

Muskelstärke und Ausdauer

Um den größten Nutzen aus dem Training zu ziehen, ist es wichtig, ein Übungsprogramm zu entwickeln, das es Ihnen ermöglicht, alle größeren Muskelgruppen gleichmäßig zu trainieren. Um die Muskelkraft zu steigern, befolgen Sie dieses Prinzip: Zunehmender Widerstand und Beibehaltung der Anzahl der Wiederholungen einer Übung führen zu erhöhter Muskelkraft. Um Ihren Körper zu formen, befolgen Sie dieses Prinzip: Abnehmender Widerstand und plus Steigerung der Anzahl der Wiederholungen einer Übung führen zu erhöhter Körperspannung. Sobald Sie sich an eine Übung gewöhnt haben, können Sie den Widerstand, die Anzahl der Wiederholungen oder die Geschwindigkeit, mit der Sie die Übung durchführen, ändern. Es ist nicht nötig, alle drei Variablen zu ändern. Nehmen wir an, dass Sie zum Beispiel mit 22 kg trainieren und die Übung 10 Mal in 3 Minuten durchführen. Wenn dies zu einfach wird, können Sie sich entscheiden, 27 kg mit derselben Anzahl an Wiederholungen in derselben Zeit durchzuführen. Wenn Sie mehr Gewichte weniger oft heben, entwickeln Sie Muskelkraft. Um sowohl Muskelstärke als auch Ausdauer zu gewinnen, sollten Sie jede Übung mit 15 bis 20 Wiederholungen pro Satz durchführen.

Trainingsintensität

Auf welcher Stufe Sie Ihr Training beginnen, hängt von Ihrem gesamten Fitnessniveau ab. Eventuelle Schmerzen können durch Verringerung der Last gemildert werden, die Sie auf Ihre Muskeln wirken lassen, und durch Ausführung weniger Sätze. Um Verletzungen zu vermeiden, sollten Sie in ein Übungsprogramm nach und nach einsteigen und die Last Ihrem individuellen Fitnessniveau anpassen. Die Last sollte mit steigendem Fitnessniveau erhöht werden. Muskelschmerzen sind häufig, insbesondere wenn Sie mit einer Übung erstmals beginnen. Wenn Sie längere Zeit Schmerzen haben, kann es Zeit sein, das Programm zu ändern. Schließlich gewöhnen sich Ihre Muskeln an die Belastung und den Druck, der auf sie wirkt.

Beginn eines Programms zum Kraftaufbau

Aufwärmen

Vor Beginn des eigentlichen Krafttrainings ist es wichtig, 5 bis 10 Minuten Dehn- und leichte Übungen durchzuführen. Dies bereitet den Körper auf die anstrengendere Übung vor, indem der Kreislauf angeregt, die Körpertemperatur gesteigert und in den Muskeln mehr Sauerstoff erzeugt wird.

Training

Denken Sie bei jedem Training daran, dass Muskelschmerzen, die längere andauern, nicht wünschenswert sind und bedeuten können, dass es eine Verletzung vorliegt.

Abkühlen

Führen Sie am Ende jedes Trainings 5 bis 10 Minuten langsame Dehn Übungen durch. Führen Sie jede Dehnung nur so weit durch, wie Sie können. In dieser Phase können sich Ihre Muskeln nach dem Training entspannen. Für ein komplettes Trainingsprogramm sollten neben dem Krafttraining an 2 bis 3 Tagen aerobe Übungen durchgeführt werden.

Getränke

Damit der Körper richtig funktioniert, muss er mit Wasser versorgt werden. Wenn Sie trainieren, sollten Sie die Flüssigkeitsaufnahme erhöhen. Der Grund dafür ist, dass das Wasser, das Sie zu sich nehmen, Ihren Körper durch das Schwitzen verlässt, das den Körper während der Übung abkühlt. Das Wasser, das Sie während der Übung verlieren, muss ersetzt werden, damit sich die Muskeln richtig regenerieren können.

Ruhetag

Auch wenn Sie keine Lust dazu haben, ist mindestens ein Ruhetag pro Woche wichtig, da dies zur Selbstheilung Ihres Körpers beiträgt. Wenn Sie Ihre Muskeln ohne Pause trainieren, werden sie übertrainiert, was langfristig nicht gut ist.

Pflege und Wartung

1. Schmieren Sie bewegliche Teile regelmäßig mit WD-40 oder Leichtöl.
2. Überprüfen Sie vor Verwendung des Geräts alle Teile und ziehen Sie sie fest.
3. Das Gerät kann mit einem feuchten Tuch und einem milden, nicht scheuernden Reinigungsmittel gereinigt werden. Verwenden Sie KEINE Lösungsmittel.
4. Überprüfen Sie das Gerät regelmäßig auf Anzeichen von Schäden oder Verschleiß.
5. Tauschen Sie defekte Teile umgehend aus und/oder verwenden Sie das Gerät nicht, bis es repariert ist.
6. Fehlende Überprüfung kann die Sicherheit des Geräts beeinträchtigen.

Eingeschränkte Garantie

Tunturi New Fitness garantiert, dass dieses Produkt bei normalen Gebrauchs- und Wartungsbedingungen für einen Zeitraum von zwei Jahren (Gestell) bzw. einem Jahr (alle anderen Teile und Komponenten) ab Kaufdatum frei von Material- und Fertigungsfehlern ist. Diese Garantie gilt nur für den ursprünglichen Käufer und nur bei nicht gewerblichem Gebrauch. Die Verpflichtung von Tunturi Fitness unter dieser Garantie ist auf den Austausch beschädigter oder defekter Teil nach Wahl von Tunturi New Fitness beschränkt.

Alle Rücksendungen müssen vorher von Tunturi New Fitness genehmigt werden. Diese Garantie gilt nicht für Schäden an einem Produkt, die durch den Transport, missbräuchliche Verwendung, Missbrauch, falsche oder abnormale Verwendung oder Eigenreparaturen des Käufers verursacht wurden oder diesen zuzuschreiben sind oder für Produkte, die für gewerbliche oder Mitzwecke verwendet werden. Tunturi New Fitness gibt keine weiteren Garantien außer den oben beschriebenen.

Tunturi New Fitness übernimmt keine Verantwortung oder Haftung für indirekte, besondere oder Folgeschäden, die sich aus und in Verbindung mit der Verwendung oder Leistung des Produkts ergeben, oder für andere Schäden in Bezug auf wirtschaftliche Verluste, Eigentumsverlust, entgangene Umsätze oder Gewinne, entgangenen Genuss oder entgangene Nutzung, Kosten der Beseitigung, Installation oder andere Folgeschäden jeglicher Art.

Die hierunter angegebene Garantie ersetzt alle anderen Garantien. Alle stillschweigenden Garantien der Marktgängigkeit oder Eignung für einen bestimmten Zweck sind in Umfang und Dauer auf die hierin angegebene Laufzeit beschränkt.

Ihre gesetzlichen Rechte werden davon nicht beeinflusst.

Bestellung von Ersatzteilen

Ersatzteile können von unserer Kundendienstabteilung bestellt werden, Montag bis Freitag, 9.00 Uhr - 17.00 Uhr GMT +1 Stunde:

E mail: service.international@tunturi-fitness.com

Bitte geben Sie bei der Bestellung von Ersatzteilen die folgenden Informationen an:

1. Modell
2. Beschreibung der Teile
3. Teilenummer
4. Kaufdatum

Kontaktinformationen und Produkthandbücher in weiteren Sprachen finden Sie auf unseren Websites:

Haftungsausschluss

© 2016 Tunturi New Fitness BV
Alle Rechte vorbehalten.

Produkt und Handbuch können geändert werden.
Die technischen Daten können ohne Vorankündigung geändert werden

Tragkraft und Abmessung

1. Maximales Nutzergewicht: 125 kg
2. Abmessungen im montierten Zustand: 195 x 164 x 212 cm cms

Français

Attention:

Ce manuel français est une traduction de la version anglaise.
 Notez que la version anglaise est en tête dans le contenu lorsque des différences sont trouvées.

Indice

Indice27
Avant de commencer27
importants de sécurité27
Informations importantes concernant
l'assemblage28
 Serrer les écrous et les boulons/vis 28
 Installation des plaques de poids..... 28
Notes d'opération29
 Sélection des plaques de poids 29
 Réglage de la tension de câble..... 29
 Réglage de l'inclinaison du dossier 29
 Réglage de la position verticale de la selle..... 29
 Réglage de la position de la presse avant 29
Tableau des résistances de charges29
Conseils d'entraînement.....30
 Structuration musculaire et gain de poids..... 30
 Force musculaire et endurance 30
 Intensité de l'entraînement 30
 Commencer un programme de structuration musculaire 30
Entretien et maintenance.....31
Garantie limitée.....31
Haftungsausschluss32
Charge et dimensions32

Avant de commencer

Nous vous remercions d'avoir choisi le Tunturi Eclipse HG20 Compact home gym Banc à barres standard.

Pour votre sécurité et dans votre intérêt, veuillez lire attentivement ce manuel avant d'utiliser l'équipement. En tant que distributeur, nous nous engageons à garantir votre entière satisfaction. Si vous avez des questions, ou constatez des pièces manquantes ou défectueuses, nous veillerons à votre entière satisfaction grâce à notre assistance directe.

Afin d'éviter des retards inutiles, veuillez contacter notre service clientèle, du lundi au vendredi de 9h00 à 17h00 GMT + 1 heure.

Tunturi New Fitness B.V.
 E mail: service.international@tunturi-fitness.com

www.tunturi-fitness.com
 E mail: info@tunturi-fitness.com

importants de sécurité

Cet appareil de musculation est conçu pour garantir une sécurité optimale. Toutefois, certaines précautions doivent être respectées chaque fois que vous utilisez un élément de cet équipement de musculation. Assurez-vous d'avoir lu l'intégralité du manuel avant d'assembler ou d'utiliser votre machine. Veuillez noter en particulier les précautions de sécurité suivantes :

1. Veuillez à éloigner les enfants et animaux de la machine à tout moment. **VEILLENZ A NE PAS LAISSER** les enfants sans surveillance dans la pièce où se trouve la machine.
2. La machine ne doit être utilisée que par une seule personne à la fois.
3. Si l'utilisateur ressent des étourdissements, éprouve des nausées, des douleurs pectorales ou tout autre symptôme anormal, il **DOIT ARRÊTER** l'entraînement sans attendre et **CONSULTER UN MÉDECIN SANS DÉLAI**.
4. Placez l'appareil sur une surface aussi plane et dégagée que possible. **N'UTILISEZ PAS** la machine près de l'eau ou à l'extérieur.
5. Veuillez à éloigner vos mains et vos pieds de toute pièce en mouvement.
6. Portez toujours des vêtements de sport adaptés lors des exercices **VEILLENZ A NE PAS PORTER** de robes ou autre vêtement

qui pourrait se prendre dans la machine. Des chaussures de sport ou d'aérobic sont également requises lors de l'utilisation de la machine.

7. Utilisez la machine uniquement pour l'usage auquel elle est destinée et qui est décrit dans le présent manuel. N'UTILISEZ PAS de fixations non recommandées par le fabricant.
8. Ne placez aucun objet tranchant à proximité de la machine.
9. Les personnes handicapées ne doivent pas utiliser l'équipement.
10. Avant d'utiliser la machine, effectuez toujours auparavant des étirements pour vous échauffer correctement.
11. N'utilisez jamais la machine si celle-ci ne fonctionne pas correctement.
12. Il est recommandé d'effectuer les exercices sous la vigilance d'une autre personne.
13. Cette machine est conçue et destinée à la pratique de la musculation à domicile et privée uniquement, pas à un usage à des fins commerciales.

Avertissement:

Avant d'entamer un programme d'exercices, consultez votre médecin. Ceci s'adresse particulièrement aux personnes de plus de 5 ans ou celles qui présentent des problèmes de santé pré-existants. Lisez toutes les instructions avant d'utiliser n'importe quel équipement de musculation. Tunturi New Fitness bv décline toute responsabilité quant aux blessures aux personnes ou aux dommages aux biens du fait ou découlant de l'utilisation de ce produit.

Gardez ces instructions en lieu sûr!

Informations importantes concernant l'assemblage

- Outils nécessaires pour l'assemblage du banc : deux clés à molette et clés allen.

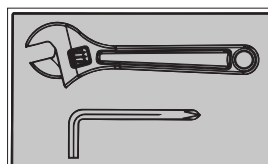
Attention :

Il est fortement recommandé de faire assembler cet équipement par deux personnes ou plus afin d'éviter tout accident/blessure.

- Veillez à ce que les vis à tête ronde soient insérées dans les orifices carrés des composants devant être assemblés. Ne placer la rondelle qu'à l'extrémité de la vis à tête ronde.

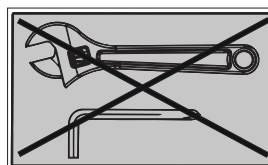
- Utilisez des vis à tête bombée à six pans creux ou des vis hexagonales qui seront insérées dans l'orifice rond des composants devant être assemblés.
- Veillez toujours à installer toutes les vis sur le banc avant de les serrer. Ne pas serrer une vis ou un boulon sitôt après l'avoir installé.

Serrer les écrous et les boulons/vis



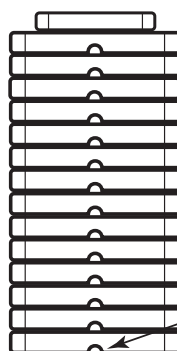
Serrez fermement tous les écrous et vis après que tous les composants aient été assemblés au cours des étapes actuelles et précédentes.

ATTENTION : Ne pas serrer excessivement les composants présentant une fonction pivotante. Assurez-vous que tous les composants mobiles pivotent sans entrave.



Ne pas serrer les écrous et les vis/boulons à cette étape.

Installation des plaques de poids

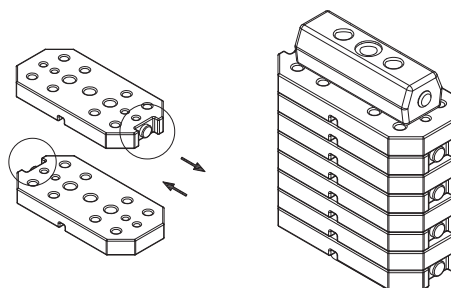


Glissez les plaques sur la tige de guidage, du haut vers le bas.

La rainure sur chaque plaque doit être orientée vers l'avant et vers le bas.

Rainure

Deep Groove

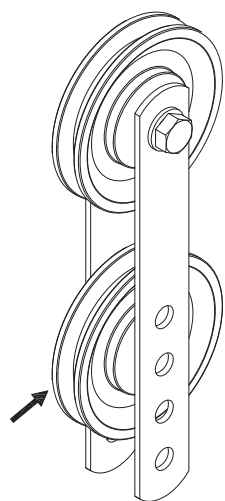


Notes d'opération

Sélection des plaques de poids

1. Utilisez la cheville de sélection de poids afin de définir le nombre de plaques souhaitées pour les exercices.
2. N'insérez pas la cheville de sélection de poids si la pile de plaques ou si la plaque supérieure est en position relevée.
3. Assurez-vous que la cheville de sélection de poids soit complètement introduite.
4. Chaque plaque pèse 5 kg environ.
5. Veuillez vous reporter au tableau de résistance des charges.
6. N'utilisez jamais d'haltères ou autres pour augmenter la résistance des charges. N'utilisez que les plaques de poids fournies par le fabricant.
7. Aux fins de sécurité lorsque l'équipement n'est pas utilisé, insérez la cheville de blocage dans l'orifice situé sur la tige de guidage, pour verrouiller la cheville et éviter aux plaques de bouger.

Réglage de la tension de câble



Réglez la tension du système de câbles en modifiant la position de la poulie inférieure sur la Réglette double à poulies flottantes.

- Si la tension est trop faible, déplacez la poulie inférieure vers le haut trou par trou.
- Si la tension est trop forte, déplacez la poulie inférieure vers le bas trou par trou Poulie inférieure.

Réglage de l'inclinaison du dossier

1. Tirez sur le bouton de réglage.
2. Amenez le dossier à la position requise.
3. Relâchez le bouton de réglage.

Réglage de la position verticale de la selle

1. Tirez sur le bouton de réglage.
2. Amenez le tube de selle à la position requise.
3. Relâchez le bouton de réglage.

Réglage de la position de la presse avant

1. Tirez sur le bouton de réglage.
2. Amenez le presse avant à la position requise.
3. Relâchez le bouton de réglage.

Tableau des résistances de charges

Plaque de poids	Presse avant	Butterfly	Barre à dorsaux	Poulie basse	Crunchs abdominaux	Développeur de jambes
1	9	5	10	10	10	12
2	15	7	18	15	15	17
3	22	10	23	20	20	23
4	28	13	27	25	25	28
5	35	15	32	30	30	34
6	41	18	36	35	35	39
7	47	21	41	40	40	45
8	54	24	45	45	45	50
9	60	26	50	50	50	55
10	66	29	55	55	55	61
11	72	31	59	60	60	66
12	79	35	64	65	65	72
13	85	37	68	70	70	77

Remarque:

- chaque plaque pèse 5 kg.
- Les chiffres sont approximatifs.
- Les masses réelles peuvent varier.
- Les valeurs pour le butterfly s'entendent pour chaque bras.

Les valeurs sont onnées en kg

Conseils d'entraînement

Structuration musculaire et gain de poids.

A la différence des exercices aérobies, qui mettent l'accent sur l'amélioration de l'endurance, les exercices anaérobies se concentrent sur le développement musculaire. Un gain de poids graduel peut se produire en développant la taille et la force des muscles. En développant la masse musculaire, votre corps s'adapte au stress auquel il est soumis. Vous pouvez modifier votre régime pour inclure des aliments tels que viandes, poissons et légumes. Ces aliments aident les muscles à récupérer et reconstituer les nutriments importants après un exercice éprouvant.

Force musculaire et endurance

Pour tirer le meilleur parti des exercices, il est important de développer un programme d'exercices vous permettant de travailler tous les groupes musculaires majeurs de manière égale.

Pour augmenter la force musculaire, suivez ce principe : augmenter la résistance et garder le même nombre de répétitions d'un exercice permet d'augmenter la force musculaire. Pour tonifier votre corps, suivez ce principe : diminuer la résistance et augmenter la cadence de répétitions d'un exercice permet d'augmenter la tonicité du corps.

Une fois que vous vous êtes bien habitué à un exercice, vous pouvez modifier la résistance, la cadence de répétition ou la vitesse à laquelle vous effectuez l'exercice. Il n'est pas nécessaire de modifier les trois variables. Par exemple, supposons que vous vous entraîniez avec 22 kg et effectuiez l'exercice 10 fois en 3 minutes. Lorsque celui-ci devient trop facile, vous pouvez envisager de passer à un levage de 27 kg pour le même nombre de répétitions pendant la même période de temps. Lever plus de poids moins de fois développe le plus souvent la force musculaire. Pour gagner à la fois en force musculaire et en endurance, il est recommandé d'effectuer chaque exercice 15 à 20 fois par série.

Intensité de l'entraînement

Le niveau auquel vous commencez à vous entraîner dépend de votre niveau général de forme. Les douleurs éprouvées peuvent être atténuées en réduisant la charge que vous faites supporter à vos muscles et en effectuant moins d'exercices. Pour éviter les blessures, vous devez appliquer graduellement votre programme d'exercices et régler la charge à votre niveau personnel de forme. La charge doit augmenter à mesure que votre niveau de forme augmente.

Les douleurs musculaires sont chose courante, spécialement lorsque vous commencez à vous exercer. Si vous éprouvez durablement des douleurs, il peut être temps de modifier votre programme. Au final, votre système musculaire s'habitue aux contraintes qu'il subit.

Commencer un programme de structuration musculaire

Échauffement

Pour commencer l'entraînement musculaire, il est important de s'étirer et d'effectuer des exercices faciles entre 5 et 10 minutes. Cela aide à préparer le corps à des exercices plus contraignants en augmentant la circulation, ce qui fait monter votre température corporelle et oxygène mieux vos muscles.

Entraînement

Il faut se rappeler que pour chaque exercice, les douleurs musculaires qui durent pendant une très longue période ne sont pas souhaitables et peuvent causer des lésions.

Récupération

A la fin de chaque exercice, effectuez des étirements lents entre 5 et 10 minutes. Relâchez-vous entre chaque étirement et en l'effectuant aussi loin que vous le pouvez. Cette étape permet d'oxygéner vos muscles après l'entraînement. Pour un programme d'exercice complet, il est également recommandé d'effectuer 2 à 3 jours d'exercices aérobies en plus de l'entraînement pour le développement musculaire.

Boire de l'eau

Pour que le corps fonctionne correctement, il doit être correctement hydraté. Si vous faites des exercices, vous devez augmenter votre consommation de liquides. La raison est que l'eau que vous absorbez sera éliminée par la transpiration qui refroidit votre organisme durant les exercices. L'eau que vous perdez du fait des exercices doit être remplacée pour que les muscles puissent récupérer correctement.

Jours de repos

Bien que vous puissiez ne pas en avoir envie, il est important de prendre un jour de repos au moins une fois par semaine car cela permet à votre corps de se régénérer. Faire travailler vos muscles continuellement conduira à un surentraînement qui ne vous apportera aucun bénéfice à long terme.

Entretien et maintenance

1. Lubrifiez périodiquement les parties mobiles avec de la wd-40 ou de l'huile légère.
2. Contrôlez et resserrez tous les éléments avant d'utiliser cet équipement.
3. La machine se nettoie à l'aide d'un chiffon humide et de produit détergent doux et non-abrasif. N'utilisez pas de solvants.
4. Examinez l'équipement régulièrement pour détecter tous dommages ou signes d'usure.
5. Remplacez les éléments défectueux sans délai et/ou n'utilisez pas l'équipement jusqu'à réparation.
6. Le fait de négliger l'examen régulier de l'équipement peut compromettre le niveau de sécurité de celui-ci.

Garantie limitée

Tunturi New Fitness garantit que ce produit est exempt de défauts dans sa qualité et ses matériaux, dans le cas d'une utilisation et de conditions de service normaux, pour une période de deux ans pour le châssis et d'un an pour toutes les autres pièces et composants et ce à compter de la date d'achat. Cette garantie ne s'applique qu'à l'acheteur original et est valable uniquement dans le cas d'un usage domestique.

L'obligation de Tunturi New Fitness aux termes de cette garantie se limite au remplacement des pièces endommagées ou défectueuses à la discrétion de Tunturi New Fitness.

Tout retour doit être au préalable autorisé par Tunturi New Fitness. Cette garantie ne s'applique pas aux produits ou aux dommages à un produit causés par ou attribuables à des dégâts lors du transport, un abus, une mauvaise utilisation ou une utilisation anormale, ni aux réparations effectuées par l'acheteur ou encore aux produits utilisés à des fins commerciales ou de location.

Aucune autre garantie que celle précisée ci-dessus n'est autorisée par Tunturi New Fitness.

Tunturi New Fitness n'assume aucune responsabilité pour les dommages indirects, spéciaux ou consécutifs survenant du fait de ou en relation avec l'utilisation ou la performance du produit ou pour tout autre dommage relatif à une perte économique, une perte de propriété, un manque-à-gagner, une perte des bénéfices ou une utilisation réduite, des coûts de démontage, d'installation ou autre dommage consécutif de quelque nature que ce soit

La garantie étendue ci-après s'applique en lieu et place des autres garanties et toutes les autres garanties de qualité marchande et de compatibilité à des fins particulières sont limitées dans leur champ d'application et leur durée aux termes définis dans le présent document.

Vos droits légaux ne sont pas affectés.

Commande de pièces de rechange
Pour commander des pièces de rechange, veuillez
contacter notre service clientèle, du lundi au
vendredi de 9h00 à 17h00 gmt + +1 heure :

E-mail : service.international@tunturi-fitness.com

Lors de la commande de pièces de rechange,
veuillez indiquer les informations suivantes

1. Modèle
2. Description des pièces
3. Référence de pièce
4. Date d'achat

Si vous souhaitez obtenir des données de contact
ou des manuels de produit dans une autre langue,
veuillez vous rendre sur nos sites internet:

Haftungsausschluss

© 2016 Tunturi New Fitness BV
Alle Rechte vorbehalten.

Produkt und Handbuch können geändert werden.
Die technischen Daten können
ohne Vorankündigung geändert werden

Charge et dimensions

1. Poids maximum de l'utilisateur : 125 kg.
2. Dimensions assemblé : 195 x 164 x 212 cm
cms

Nederlands

Belangrijk:

De Nederlandse handleiding is een vertaling van de Engelse tekst.

Aan deze vertaling kunnen geen rechten ontleend worden.

De originele Engelse tekst blijft leidend.

Index

Index	33
Voordat u begint	33
Belangrijke veiligheidsinstructie	33
Belangrijke montage-informatie.....	34
Bouten en moeren aandraaien	34
Installatie van de gewichtplaten	34
Opmerkingen voor het gebruik.	35
Selectie van de gewichtplaten	35
Afstelling van de kabelspanning	35
instellen van de verticale zadelpositie.....	35
Afstellen van de helling van de rugleuning.....	35
Afstellen van de front press.....	35
Gewicht weerstand tabel	35
Richtlijnen voor oefeningen	36
Spierontwikkeling en gewichtstoename.....	36
Spierkracht en uithoudingsvermogen	36
Trainingsintensiteit.....	36
Beginnen met een krachtraining programma .	36
Zorg en onderhoud.....	37
Beperkte garantie	37
Vervangende onderdelen bestellen	37
Disclaimer	37
Maximale belasting en afmetingen	37

Voordat u begint

Bedankt dat u voor de Tunturi Eclipse HG20 Compact home gym hebt gekozen.

Neem deze handleiding zorgvuldig door voordat u dit apparaat gaat gebruiken. Als distributeur hechten we veel waarde aan de tevredenheid van onze klanten. Als u vragen hebt of als er onderdelen ontbreken of beschadigd zijn, staan de medewerkers van onze klantenservice voor u klaar. Voorkom onnodige vertraging en neem contact op met onze klantenservice: maandag t/m vrijdag van 9:00 tot 17:00 uur GMT +1 uur.

Tunturi New Fitness B.V.

E mail: service.international@tunturi-fitness.com

www.tunturi-fitness.com

E mail: info@tunturi-fitness.com

Belangrijke veiligheidsinstructie

Vorzorgsmaatregelen

Dit fitnessapparaat is ontworpen voor optimale veiligheid. Neem echter bepaalde voorzorgsmaatregelen in acht wanneer u fitnessapparatuur gebruikt. Lees de volledige handleiding voordat u het apparaat gaat monteren of gebruiken. Let met name op de volgende veiligheidsinstructies:

1. Houd kinderen en huisdieren te allen tijde uit de buurt van het apparaat. Laat kinderen NOOIT zonder toezicht in dezelfde ruimte als het apparaat.
2. Het apparaat mag door slechts één persoon per keer worden gebruikt.
3. Als de gebruiker last krijgt van duizeligheid, misselijkheid, pijn op de borst of enige andere abnormale symptomen, dient de oefening direct te worden gestaakt. NEEM ONMIDDELIJK CONTACT OP MET EEN ARTS.
4. Plaats het apparaat op een vlak oppervlak. Gebruik het apparaat NIET buitenshuis of in de buurt van water.
5. Houd handen uit de buurt van de bewegende delen.

6. Draag tijdens de training altijd geschikte sportkleding. Draag GEEN lange kamerjas of andere kleding die vast kan komen te zitten. Draag tijdens de oefeningen hardloop- of aerobic-schoenen.
7. Dit apparaat is alleen bedoeld voor het gebruik zoals beschreven in deze handleiding. Gebruik alleen accessoires aanbevolen door de fabrikant.
8. Plaats geen scherpe objecten in de buurt van het apparaat.
9. Gehandicapte of minder valide personen mogen het apparaat alleen gebruiken onder toezicht van een gekwalificeerde persoon of arts.
10. Voer voordat u het apparaat gaat gebruiken strekoefeningen uit als warming-up.
11. Gebruik het apparaat niet als het niet naar behoren functioneert.
12. Tijdens oefeningen wordt de aanwezigheid van een spotter aangeraden.
13. Steek de gewichtselector-pen niet in de platen wanneer de gewichtenkolom of de bovenste plaat in de hoogste positie staat.
14. Controleer of de gewichtselector-pen helemaal in de gewichtplaten is gestoken.
15. Gebruik nooit dumbbells of andere accessoires om de weerstand te verhogen. Gebruik alleen gewichtplaten geleverd door de fabrikant.
16. Dit apparaat is ontworpen en bedoeld voor thuisgebruik en niet voor commerciële doeleinden.

Belangrijke montage-informatie

- Gereedschap benodigd voor het monteren van de bank: twee verstelbare steeksleutels en een set inbussleutels.

Belangrijk!

Voorkom letsel en monteer dit apparaat met twee of meer personen.

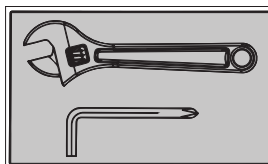
- Gebruik slotbouten voor de vierkante gaten in de te monteren componenten. Gebruik alleen aan het einde van de slotbout een onderlegging.
- Gebruik inbusbouten of zeskantbouten in de ronde gaten in de te monteren componenten.
- Wacht tot alle bouten zijn gemonteerd voordat u ze vastdraait. Draai een bout niet direct naar het plaatsen vast.

Waarschuwing:

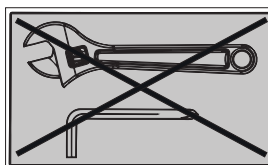
Raadpleeg eerst uw arts voordat u aan een Trainingsprogramma begint. Dit is met name belangrijk voor personen Ouder dan 35 of personen met bepaalde gezondheidsklachten. Lees alle Instructies voordat u fitnessapparatuur gebruikt. Tunturi New fitness bv is Niet aansprakelijk voor persoonlijk letsel of schade aan eigendommen Veroorzaakt door of ten gevolge van het gebruik van dit product.

Bewaar deze instructies goed!

Bouten en moeren aandraaien

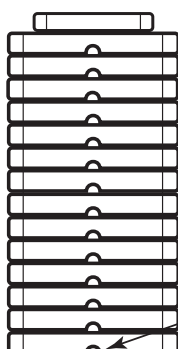


Draai de bouten en moeren pas aan nadat alle componenten zijn gemonteerd. **BELANGRIJK!** Componenten die moeten kunnen scharnieren, mogen niet te strak worden aangedraaid. Alle scharnierende componenten moeten vrij kunnen bewegen.



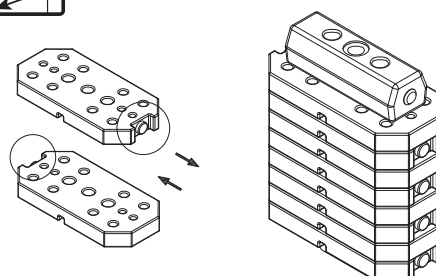
Draai de bouten en moeren in deze stap niet aan.

Installatie van de gewichtplaten



Schuif de gewichtplaten van boven naar beneden op de geleidestang. De diepe groef in elke gewichtplaat moet naar voren en naar onder gericht zijn.

Diepe groef

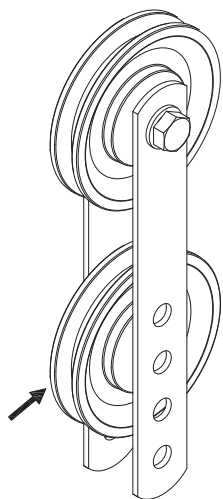


Opmerkingen voor het gebruik.

Selectie van de gewichtplaten

1. Met de gewichtselector-pen kunt u het aantal gewichtplaten selecteren voor de oefening.
2. Steek de gewichtselector-pen niet in de platen wanneer de gewichtenkolom of de bovenste plaat in de hoogste positie staat.
3. Controleer of de gewichtselector-pen helemaal in de gewichtplaten is gestoken.
4. Elke gewichtplaat weegt ongeveer 5 kg.
5. Raadpleeg de gewicht weerstand tabel verderop in dit document.
6. Gebruik nooit dumbbells of andere accessoires om de weerstand te verhogen. Gebruik alleen gewichtplaten geleverd door de fabrikant.
7. Houd u aan de volgende veiligheidsinstructie wanneer het apparaat niet in gebruik is: steek de borgpen in het gat in de geleidestang. Zo voorkomt u dat de gewichtplaten kunnen worden bewogen.

Afstelling van de kabelspanning



omlaag.

U kunt de spanning op het kabelsysteem afstellen door de positie van de onderste katrol te veranderen in de twee zwevende katrol beugels.

- Als de kabel te los gespannen is, verplaatst u de onderste katrol één gat omhoog.
- Als de kabel te strak gespannen is, verplaatst u de onderste katrol één gat omlaag.

instellen van de verticale zadelpositie

1. Trek aan de verstelknop.
2. Zet de zadelpen in de gewenste positie.
3. Laat de verstelknop los.

Afstellen van de helling van de rugleuning

1. Trek aan de verstelknop.
2. Zet de rugleuning in de gewenste positie.
3. Laat de verstelknop los.

Afstellen van de front press

1. Trek aan de verstelknop.
2. Zet de butterfly in de gewenste positie.
3. Laat de verstelknop los.

Gewicht weerstand tabel

Gewicht plaat	Front Press	Butterfly	Lat Pull	lage katrol	AB Crunch	Led Developer
1	9	5	10	10	10	12
2	15	7	18	15	15	17
3	22	10	23	20	20	23
4	28	13	27	25	25	28
5	35	15	32	30	30	34
6	41	18	36	35	35	39
7	47	21	41	40	40	45
8	54	24	45	45	45	50
9	60	26	50	50	50	55
10	66	29	55	55	55	61
11	72	31	59	60	60	66
12	79	35	64	65	65	72
13	85	37	68	70	70	77

Belangrijk:

- Elke gewicht plaat weegt 5 kg.
- De getallen zijn bij benadering.
- De daadwerkelijke gewichten kunnen afwijken.
- De waarden voor de butterfly zijn voor elke arm.
- De waarden worden weergegeven in kilogrammen.

Richtlijnen voor oefeningen

Spierontwikkeling en gewichtstoename

In tegenstelling tot aerobicsoefeningen, waarbij de nadruk ligt op uithoudingsvermogen, zijn anaerobicsoefeningen gericht op krachttraining. Wanneer u uw spieren traint, neemt u mogelijk iets toe in gewicht. Tijdens het ontwikkelen van spiermassa past uw lichaam zich aan de belasting aan. U kunt uw voedingspatroon wijzigen en bijvoorbeeld extra vlees, vis en groenten toevoegen. Deze voedingsmiddelen helpen bij het herstel van de spieren en vullen belangrijke voedingsstoffen aan na een zware workout.

Spierkracht en uithoudingsvermogen

Een oefening levert het beste resultaat op als u zich aan een trainingsprogramma houdt waarbij alle grote spiergroepen met dezelfde intensiteit worden getraind. Als u uw spierkracht wilt verbeteren, houdt u zich aan dit principe: het verhogen van de weerstand in combinatie met hetzelfde aantal herhalingen van een oefening leidt tot sterkere spieren. Als u uw lichamelijke conditie wilt verbeteren, houdt u zich aan dit principe: het verlagen van de weerstand en het verhogen van het aantal herhalingen van een oefening leidt tot een betere lichamelijke conditie.

Wanneer een oefening makkelijk wordt voor u, kunt u de weerstand, het aantal herhalingen of de snelheid verhogen waarmee u de oefening uitvoert. U hoeft niet alle drie de variabelen te veranderen. Stel u traint met 22 kg en voert de oefening tien keer uit in drie minuten. Wanneer dit te makkelijk wordt, kunt u het gewicht bijvoorbeeld verhogen naar 27 kg voor hetzelfde aantal oefeningen in dezelfde tijd. Het tillen van meer gewicht in minder tijd vergroot doorgaans de spierkracht. Als u niet alleen uw spierkracht maar ook uw uithoudingsvermogen wilt verbeteren, wordt u aangeraden elke oefening 15 tot 20 keer uit te voeren per set.

Trainingsintensiteit

Hoe hard u begint met trainen, is afhankelijk van uw algehele conditie. U kunt de pijn die u ervaart, verminderen door uw spieren minder te belasten en minder sets uit te voeren.

Voorkom letsel door geleidelijk aan te beginnen met een trainingsprogramma en de belasting aan te passen aan uw algehele conditie. Wanneer uw conditie verbetert, kunt u de druk opvoeren. Spierpijn is heel gewoon, vooral wanneer u pas net begint met trainen. Als u echter lang last hebt van spierpijn, moet u het programma mogelijk aanpassen. Uw spieren zullen uiteindelijk gewend raken aan de belasting.

Beginnen met een krachttraining programma

Warming-up

Voordat u begint met een krachttraining, moet u vijf tot tien minuten strekoefeningen en andere lichte oefeningen doen. Zo wordt de bloedsomloop verbeterd, wordt uw lichaamstemperatuur verhoogd en wordt meer zuurstof naar uw spieren getransporteerd als voorbereiding op de zwaardere oefeningen.

Workout

Houd bij elke workout in gedachten dat langaanhoudende spierpijn ongewenst is en kan betekenen dat u een blessure hebt opgelopen.

Cooling-down

Doe aan het eind van elke workout vijf tot tien minuten lang langzame strekoefeningen. Strek nooit zo ver dat het pijn doet. In deze fase van de training kunnen uw spieren ontspannen. Het wordt aangeraden in een volledig trainingsprogramma ook twee of drie dagen aerobicsoefeningen te doen naast de krachttraining.

Water drinken

Uw lichaam kan alleen goed functioneren als u voldoende water drinkt. Drink dus meer water wanneer u traint. Het water dat u drinkt, wordt namelijk uitgescheiden via het zweet dat het lichaam produceert om koel te blijven tijdens het trainen. Het water dat u zo verliest, moet worden aangevuld zodat de spieren goed kunnen herstellen.

Rustdag

Het nemen van een rustdag eenmaal per week is belangrijk omdat uw lichaam zo de kans krijgt om te herstellen. Het constant trainen van de spieren kan leiden tot overbelasting.

Zorg en onderhoud

1. Smeer bewegende onderdelen regelmatig met wd-40 of lichte olie.
2. Inspecteer en draai alle onderdelen aan voordat u het apparaat gebruikt.
3. Maak het apparaat schoon met een doek bevochtigd met een mild, niet-schurend schoonmaakmiddel. Gebruik geen oplosmiddelen.
4. Controleer het apparaat regelmatig op tekenen van slijtage of beschadiging.
5. Vervang defecte componenten direct en/of stel het apparaat buiten gebruik tot het is gerepareerd.
6. Indien het apparaat niet regelmatig wordt gecontroleerd, kan het gebruik ervan onveilig worden.

Beperkte garantie

Tunturi New Fitness garandeert dat dit product, bij normaal gebruik en onderhoud, vrij is van defecten in materiaal en fabricage voor een periode van twee jaar op het frame en één jaar op alle andere onderdelen en componenten na de datum van aankoop. Deze garantie geldt alleen voor de oorspronkelijke koper en geldt alleen voor thuisgebruik. De aansprakelijkheid van Tunturi New Fitness onder deze garantie is beperkt tot het vervangen van beschadigde of defecte onderdelen, zulks uitsluitend ter beoordeling door Tunturi New Fitness.

Alle retourzendingen moeten vooraf worden geautoriseerd door Tunturi New Fitness. Deze garantie is niet toepasbaar voor een product of schade aan een product ten gevolge van het transport, misbruik, verkeerd of oneigenlijk gebruik, eigen reparaties door de koper of voor producten gebruikt voor commerciële doeleinden of verhuurdoeleinden. Enkel de bovengenoemde specifieke garanties zijn goedgekeurd door Tunturi New Fitness.

Tunturi NewFitness is niet verantwoordelijk of aansprakelijk voor bijzondere, indirecte of gevolgschade die voortkomt uit of verband houdt met het gebruik of de prestaties van het product of andere schade met betrekking tot verlies van eigendom of kapitaal, winstderving of inkomstenverlies, gebruiks- of genotsderving, kosten voor verwijdering, installatie of andere gevolgschade van welke aard dan ook.

Bovenbedoelde garantie komt in de plaats van alle overige garanties. Het bereik en de duur van alle impliciete garanties van verkoopbaarheid en geschiktheid voor een bepaald doel zijn beperkt tot de voorwaarden beschreven in dit document.

Uw wettelijke rechten worden niet beïnvloed door deze voorwaarden.

Vervangende onderdelen bestellen

Neem voor het bestellen van vervangende onderdelen contact op met onze klantenservice: Maandag t/m vrijdag van 9:00 tot 17:00 uur gmt +1 uur.
E-mailadres: service.international@tunturi-fitness.com

Houd de volgende informatie bij de hand wanneer u vervangende onderdelen bestelt:

1. Model
2. Omschrijving van onderdelen
3. Onderdeelnummer
4. Datum van aankoop

Ga voor contactgegevens en product-handleidingen in andere talen naar onze websites:

Disclaimer

© 2016 Tunturi New Fitness BV.
Alle rechten voorbehouden.

Het product en de handleiding zijn aan veranderingen onderhevig. Specificaties kunnen zonder verdere kennisgeving worden veranderd.

Maximale belasting en afmetingen

1. Maximumgewicht gebruiker: 125 kg
2. Afmetingen na montage: 195 x 164 x 212 cm

Nota:

Este manual español es una traducción del texto inglés.
No se pueden derivar derechos de esta traducción.
El texto original en inglés prevalecerá.

Índice

Índice	38
Antes de empezar.....	38
Aviso importante de seguridad.....	38
Información importante sobre montaje.....	39
Apriete de tuercas y tornillos	39
Instalación de las pesas planas.....	39
notas de la operación.....	40
Selección de las pesas planas	40
Ajuste de la tensión del cable	40
Ajuste de la inclinación del respaldo.....	40
Ajuste horizontal del sillín	40
Ajuste press frontal	40
Tabla de resistencias de las pesas	40
Indicaciones para los ejercicios	41
Fortalecimiento de los músculos y aumento de peso.....	41
Fuerza y resistencia de los músculos.....	41
Intensidad del entrenamiento	41
Inicio de un programa de fortalecimiento muscular	41
Cuidado y mantenimiento.....	42
Garantía limitada	42
Pedido de piezas de recambio	43
Descargo de responsabilidad	43
Peso máximo admisible y dimensiones.....	43

Antes de empezar

Le agradecemos que haya optado por el banco de musculación estándar Tunturi Eclipse HG20 Compact home gym. Ara su seguridad y provecho, lea atentamente este manual antes de utilizar el equipo. Como distribuidores, mantenemos el compromiso de ofrecerle el máximo nivel de satisfacción en calidad de cliente. Si desea formular alguna pregunta u observa que alguna pieza está dañada o ausente, le garantizamos el nivel absoluto de satisfacción a través de una asistencia directa.

Para evitar retrasos innecesarios, póngase en contacto con nuestro Departamento de Asistencia al Cliente, de lunes a viernes entre 9:00 y 17:00 GMT + 1 hora.

Aviso importante de seguridad

Este equipo de fitness se ha fabricado para ofrecer un nivel óptimo de seguridad. Sin embargo, es preciso adoptar determinadas precauciones al manejar alguna pieza del equipo de fitness. Asegúrese de leer el manual completo antes de instalar o de utilizar el equipo. En particular, tenga en cuenta las siguientes precauciones de seguridad:

1. Mantenga a los niños y las mascotas alejados del equipo en todo momento. NO deje haya ningún niño desatendido en la sala donde se encuentra el equipo.
2. Sólo se puede utilizar el equipo de uno en uno.
3. Si el usuario siente mareo, náusea, dolor de pecho o cualquier otro síntoma anormal, DETENGA inmediatamente el ejercicio. PÓNGASE EN CONTACTO CON UN MÉDICO INMEDIATAMENTE.
4. Sitúe el equipo en una superficie despejada y nivelada. NO utilice el equipo cerca del agua o en exteriores.
5. Mantenga las manos lejos de todas las piezas móviles.
6. Lleve siempre puesta ropa deportiva adecuada al utilizar el equipo. NO se ponga ropa ni prendas que puedan quedar atrapadas en el equipo. También es preciso llevar zapatillas de jogging o aerobic al utilizar el equipo.

7. Utilice el equipo exclusivamente con el fin para el que fue concebido y que se describe en este manual. NO utilice accesorios no recomendados por el fabricante.
8. No deje ningún objeto afilado en torno al equipo.
9. Las personas discapacitadas no deben utilizar el equipo.
10. Antes de utilizar el equipo en una sesión, realice ejercicios de estiramiento para calentar adecuadamente.
11. Nunca utilice el equipo si su funcionamiento no es el adecuado.
12. Se recomienda que durante el ejercicio esté presente un observador.
13. Este equipo se ha diseñado y concebido exclusivamente para uso doméstico y por el consumidor, no para uso comercial.

Advertencia:

Antes de comenzar un programa de ejercicios, consulte a su médico. Esto es especialmente importante para personas de más de 35 años de edad o que hayan padecido previamente problemas de salud. Lea todas las instrucciones antes de utilizar cualquier equipo de fitness. Tunturi New Fitness bv no asume ninguna responsabilidad por las lesiones personales ni los daños sobre la propiedad provocados por el uso de este producto o que se deriven del mismo.

Guarde estas instrucciones!

Información importante sobre montaje

- Herramientas requeridas para el montaje del banco: dos llaves inglesas y llaves allen.

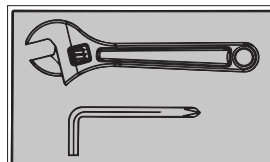
Nota!:

Se recomienda encarecidamente que el montaje de este equipo sea realizado por dos personas o más para evitar posibles lesiones.

- Asegúrese de que los tornillos de transporte se encuentran insertados en los orificios cuadrados de los componentes que se tienen que montar. Acople una arandela únicamente al extremo del tornillo de transporte.

- Use tornillos allen o tornillos de cabeza hexagonal insertados en el orificio circular de los componentes que se tienen que montar.
- Antes de apretar los tornillos, espere siempre a que se hayan instalado todos ellos en el banco. No apriete cada tornillo inmediatamente después de haberlo instalado.

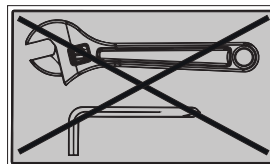
Apriete de tuercas y tornillos



Apriete firmemente todos los tornillos y las tuercas cuando se hayan ensamblado todos los componentes correspondientes al paso actual y los anteriores.

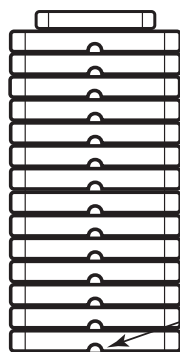
NOTA: No apriete en exceso ningún componente de

funcionamiento pivotante. Asegúrese de que todos los componentes pivotantes pueden moverse con libertad.



No apriete todos los tornillos y las tuercas en este paso.

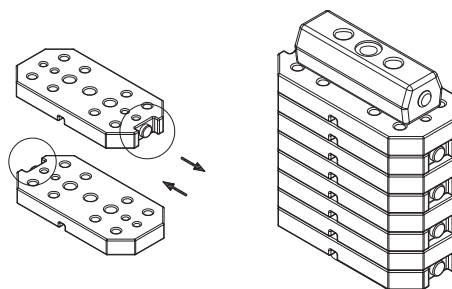
Instalación de las pesas planas



Deslice las pesas por la varilla guía desde arriba hasta la parte inferior.

Es preciso que la ranura profunda de cada pesa se oriente hacia adelante y hacia abajo

Deep Groove
Ranura profunda

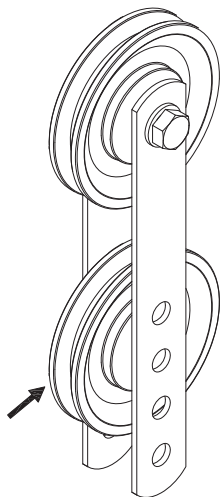


notas de la operación

Selección de las pesas planas

1. Utilice el pasador selector de pesas para regular el número de pesas planas que se desea en el ejercicio.
2. No inserte el pasador selector de pesas cuando la columna de pesas o la placa superior estén en posición elevada.
3. Asegúrese de que el pasador selector de peso queda totalmente introducido.
4. El peso aproximado de cada pesa plana es de 5 kg.
5. Consulte la página de la Tabla de resistencias de las pesas.
6. Nunca utilice mancuernas ni ningún otro elemento para aumentar la resistencia que ofrecen las pesas. Utilice exclusivamente pesas planas proporcionadas por el fabricante.
7. Por motivos de seguridad cuando no se usa el equipo. Inserte el pasador de bloqueo en el orificio de la varilla guía, impidiendo así el movimiento de las pesas planas.

Ajuste de la tensión del cable



Ajuste la tensión del sistema de cables desplazando la posición de la polea inferior en las dos placas del soporte de polea doble flotante

- Si la tensión es demasiado baja, desplace la polea inferior un orificio hacia arriba.
- Si la tensión es demasiado alta, desplace la polea inferior un orificio hacia abajo

Ajuste de la inclinación del respaldo

1. Tire de la perilla de ajuste.
2. Mueva el respaldo a la posición deseada.
3. Suelte el botón de ajuste.

Ajuste horizontal del sillín

1. Tire de la perilla de ajuste.
2. Mover el sillín a la posición deseada.
3. Suelte el botón de ajuste.

Ajuste press frontal

1. Tire de la perilla de ajuste.
2. Mover el press frontal a la posición deseada.
3. Suelte el botón de ajuste.

Tabla de resistencias de las pesas

Placa de peso	Presse avant	Butterfly	tirón lat	Poulie basse	Abdominales	Ejercitador de piernas
1	9	5	10	10	10	12
2	15	7	18	15	15	17
3	22	10	23	20	20	23
4	28	13	27	25	25	28
5	35	15	32	30	30	34
6	41	18	36	35	35	39
7	47	21	41	40	40	45
8	54	24	45	45	45	50
9	60	26	50	50	50	55
10	66	29	55	55	55	61
11	72	31	59	60	60	66
12	79	35	64	65	65	72
13	85	37	68	70	70	77

Nota:

- El peso de cada pesa es de 5 kg.
- Los valores son aproximados.
- Los pesos reales pueden variar.
- El valor en la mariposa es para cada brazo.

Los valores se muestran en kg.

Indicaciones para los ejercicios

Fortalecimiento de los músculos y aumento de peso

A diferencia del ejercicio aeróbico, que se centra en el entrenamiento de resistencia, el ejercicio anaeróbico se basa en el entrenamiento de fuerza. Puede que se produzca un aumento gradual de peso a medida que aumenta el tamaño y la fuerza de los músculos. Al desarrollar masa muscular, su cuerpo se adapta a la tensión a la que se le ha sometido. Puede modificar la dieta incluyendo alimentos tales como carne, pescado y verduras. Esos alimentos facilitan la recuperación de los músculos y permiten reponer nutrientes importantes tras una sesión extenuante.

Fuerza y resistencia de los músculos

Para aprovechar al máximo el entrenamiento, es importante que desarrolle un programa de ejercicios que le permita trabajar por igual todos los grupos musculares principales. Para aumentar la fuerza de los músculos, siga este principio: incrementar la resistencia y mantener el número de repeticiones de un ejercicio da como resultado el aumento de la fuerza muscular. Para tonificar el cuerpo, siga este principio: reducir la resistencia y aumentar el número de repeticiones de un ejercicio da como resultado el aumento del tono corporal. Una vez que se sienta cómodo con un ejercicio, puede modificar la resistencia, el número de repeticiones o la velocidad con la que realiza el ejercicio. No es necesario modificar las tres variables. Por ejemplo, supongamos que el ejercicio se realiza con 22 kg y 10 repeticiones en 3 minutos. Cuando empieza a ser demasiado sencillo, se puede decidir el aumento a 27 kg para el mismo número de repeticiones y en el mismo tiempo. La consecuencia más frecuente de elevar más peso menos veces es el desarrollo de la fuerza muscular. Para conseguir tanto fuerza como resistencia muscular, se recomienda ejecutar entre 15 y 20 repeticiones por serie de cada ejercicio.

Intensidad del entrenamiento

La dureza con la que comience a entrenar depende de su estado de forma general. Se puede atenuar el dolor muscular que se siente reduciendo la carga a la que se someten los músculos y realizando menos series. Para evitar lesiones, es preciso proceder a un trabajo gradual según un programa de ejercicios y ajustar la carga al estado de forma particular. La carga debe aumentar a medida que mejora el nivel de forma. Es habitual sentir dolor muscular, especialmente cuando se empieza a ejecutar ejercicios. Si se siente dolor muscular durante mucho tiempo, puede ser conveniente cambiar el programa. Eventualmente, el sistema muscular se acostumbrará a la tensión y el esfuerzo a los que se somete.

Inicio de un programa de fortalecimiento muscular

Calentamiento

Para comenzar un entrenamiento de fuerza, es importante calentar y realizar ejercicios suaves durante entre 5 y 10 minutos. De este modo se facilita la preparación del cuerpo para ejercicios más exigentes al aumentar la circulación, elevar la temperatura corporal y desarrollar la conducción de más oxígeno a los músculos.

Sesión

En cada sesión es preciso tener presente que no es deseable sentir dolor muscular durante mucho tiempo y que puede significar que se ha producido una lesión.

Recuperación

Al final de cada sesión, realice lentamente ejercicios de estiramiento durante entre 5 y 10 minutos. Ejecute cada estiramiento llegando solamente hasta donde pueda. Esta fase permite que los músculos se relajen tras el entrenamiento. Para que el programa de entrenamiento sea completo, también se recomienda dedicar 2 o 3 días a ejercicios aeróbicos de modo adicional al entrenamiento de fuerza.

Ingesta de agua

Para que el cuerpo funcione adecuadamente, es preciso hidratarlo de modo apropiado. Si está haciendo ejercicio, debe aumentar la ingesta de fluidos. La razón para ello es que el agua que toma abandonará el sistema a través del sudor que sirve para refrigerar el cuerpo cuando se hace ejercicio. Es preciso que reponga el agua que pierde debido al ejercicio de modo que los músculos se puedan recuperar adecuadamente.

Día de descanso

Aunque pueda no sentir necesidad de hacerlo, es importante tomar por lo menos un día de descanso a la semana para ofrecer al cuerpo la oportunidad de curarse por sí mismo del esfuerzo.

El trabajo muscular continuado provocará un exceso de entrenamiento que no será beneficioso a largo plazo.

Cuidado y mantenimiento

1. Lubrique periódicamente las piezas móviles con wd-40 u aceite ligero.
2. Inspeccione y apriete todas las piezas antes de utilizar el equipo.
3. El equipo se puede limpiar utilizando un paño húmedo y detergente neutro no abrasivo. No utilice disolventes.
4. Examine con regularidad el equipo para verificar que no hay indicios de daños ni desgaste.
5. Sustituya inmediatamente cualquier componente defectuoso y/o deje el equipo fuera de servicio hasta su reparación.
6. Si no se realizan las tareas de inspección periódica, el nivel de seguridad del equipo puede verse afectado.

Garantía limitada

Tunturi New Fitness garantiza, en condiciones de uso normal y mantenimiento adecuado, la ausencia de defectos debidos a materiales o mano de obra en este producto durante un periodo de dos años en el bastidor y de un año en el resto de piezas y componentes, a partir de la fecha de compra. Esta garantía es aplicable exclusivamente al comprador original.

Las obligaciones de tunturi new fitness relativas a la aplicación de esta garantía se limitan a la sustitución de las piezas dañadas o averiadas, a decisión de Tunturi New Fitness.

Todas las devoluciones deben ser previamente autorizadas por Tunturi New Fitness. Esta garantía no es aplicable a los productos cuyo deterioro esté causado por, o se pueda atribuir a, daños por transporte, maltrato, uso incorrecto, inadecuado o anormal, reparaciones realizadas por los propios compradores o en productos empleados para fines comerciales o de alquiler.

Aparte de la garantía que se acaba de indicar específicamente, ninguna otra está autorizada por Tunturi New Fitness.

Tunturi New Fitness no podrá ser considerado responsable en caso de daños indirectos, especiales o consecuentes derivados de, o relacionados con, el uso o el funcionamiento del producto u otros daños relativos a pérdidas económicas, pérdida de propiedades, pérdida de ingresos o beneficios, pérdida de posibilidad de uso o disfrute, coste de retirada, instalación u otros daños consecuentes cualquiera que sea su naturaleza.

La garantía que figura a continuación sustituye a cualesquiera otras, y cualquier garantía implícita de comercialización o idoneidad para un propósito particular se limitará en su alcance y duración a los términos aquí establecidos.

En ningún caso se verán afectados sus derechos legales.

Pedido de piezas de recambio

Las piezas de recambio se pueden pedir poniéndose en contacto con nuestro departamento

De asistencia al cliente, de lunes a viernes entre 9:00 y 17:00 gmt + 1 hora:

Correo electrónico: service.international@tunturi-fitness.com

Al realizar el pedido de piezas de recambio, indique la siguiente información:

1. Modelo
2. Descripción de las piezas
3. Número de las piezas
4. Fecha de la compra

Información de contacto y manuales de los productos en otros idiomas se pueden encontrar en nuestros sitios web:

Descargo de responsabilidad

© 2016 Tunturi New Fitness BV
Reservados todos los derechos.

El producto y el manual están sujetos a cambios. Las especificaciones pueden modificarse sin previo aviso.

Peso máximo admisible y dimensiones

1. Peso máximo del usuario: 125 kg
2. Dimensiones montado: 195 x 164 x 212 cm

Parts list

Teileliste

Liste des pièces

No	Description	Size	Qty
1	Main Base		1
2	Rear Base		1
3	Middle Base		1
4	Front Base		1
5	Pedal		1
6	Upright Beam		1
7	Handle		2
8	Guide Rod		2
9	Sitting Board Rack		1
10	Leg Extension		1
11	Sitting Board Fixed		1
12	Gantry		1
13	Left Butterfly		1
14	Right Butterfly		1
15	Backplane Adjustment		1
16	Top Beam		1
17	Top Shield		1
18	Chest		1
19	Shield		1
20	Reinforcement Plate	(-70)	2
21	Foam Tube		2
22	Double Edged Bolt-Long		1
23	Double Edged Bolt-Short		1
24	Cloth Shell		2
25	Double Pulley Seat		2
26	Joint Tube-Long		1
27	Joint Tube-Short		1
28	Reinforcement Plate	(-50)	1
29	Vertical Pulley Block		1
30	Selector Shaft		1
31	Shell Holder		2
32	Swing Pulley Bracket		2
33	Lat Bar		1
34	Pull Bar		1
35	Ab Curl Strap		1
36	Ankle Strap		1
37	Rectangular End Cap		4
38	Round Plug	(Ø19)	2

Onderdelen lijst

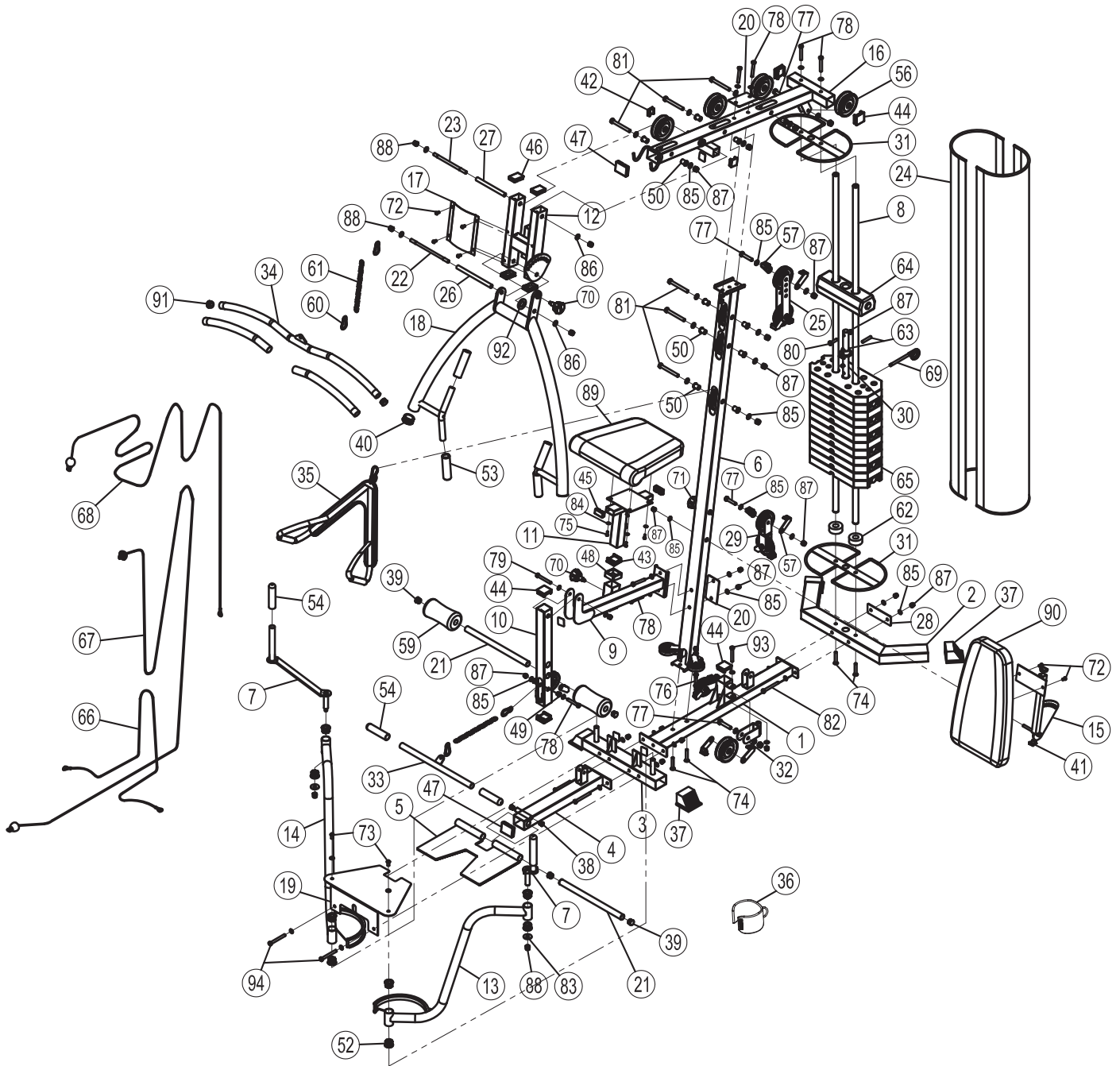
Lista de piezas

39	Round Plug	(Ø25)	4
40	Round Plug	(Ø50)	2
41	Square Plug	(25*25)	2
42	Square Plug	(38*38)	2
43	Square Plug	(45*45)	1
44	Square Plug	(50*50)	5
45	Rectangular Plug	(50*25)	2
46	Rectangular Plug	(60*40)	4
47	Rectangular Plug	(70*50)	2
48	Square Sleeve	(50*45)	1
49	Bushing	(Ø15.5*11.5)	2
50	Bushing	(Ø16*24)	12
51	Bushing	(Ø28*16)	2
52	Bushing	(Ø38*19)	8
53	Handle Cap	(Ø25*115)	4
54	Handle Cap	(Ø25*170)	4
55	Pulley	(Ø70)	2
56	Pulley	(Ø90)	18
57	Cable Slide		18
58	Foam	(Ø28*3*430)	2
59	Foam	(Ø23*Ø90*170)	2
60	Hook		5
61	Chain		2
62	Buffer Ring		2
63	Circle And Pin		1
64	Top Plate		1
65	Weight Plate		12
66	Cable	(227cm)	1
67	Cable With One And Half Ball	(400cm)	1
68	Cable With One Ball	(423cm)	1
69	Pin		1
70	Pull Pin		2
71	Long Pole Pull Pin		1
72	Allen Bolt	(M8*16)	6
73	Allen Bolt	(M10*20)	2
74	Carriage Bolt	(M10*60)	4
75	Bolt	(M6*16)	4
76	Bolt	(M10*43)	2
77	Bolt	(M10*48)	11

78	Bolt	(M10*70)	7
79	Bolt	(M10*75)	1
80	Bolt	(M10*35)	1
81	Bolt	(M10*90)	6
82	Bolt	(M10*95)	4
83	Big Washer	(Ø12)	2
84	Washer	(Ø6)	4
85	Washer	(Ø10)	73
86	Washer	(Ø12)	4
87	Lock Nut	(M10)	37
88	Lock Nut	(M12)	6
89	Seat Cushion		1
90	Backrest Cushion		1
91	Round Plug	(Ø30)	2
92	Washer	(Ø16)	1
93	Bolt	(M10*73)	2
94	Bolt	(M10*88)	2

Exploded view
Explosieonszeichnung
Schéma éclaté

Overzichtsschema
Diagrama de despice





Tunturi New Fitness BV

Purmerweg 1 NL - 1311 XE Almere
P.O. Box 60001 NL - 1320 AA Almere
The Netherlands

www.tunturi-fitness.com

20161025