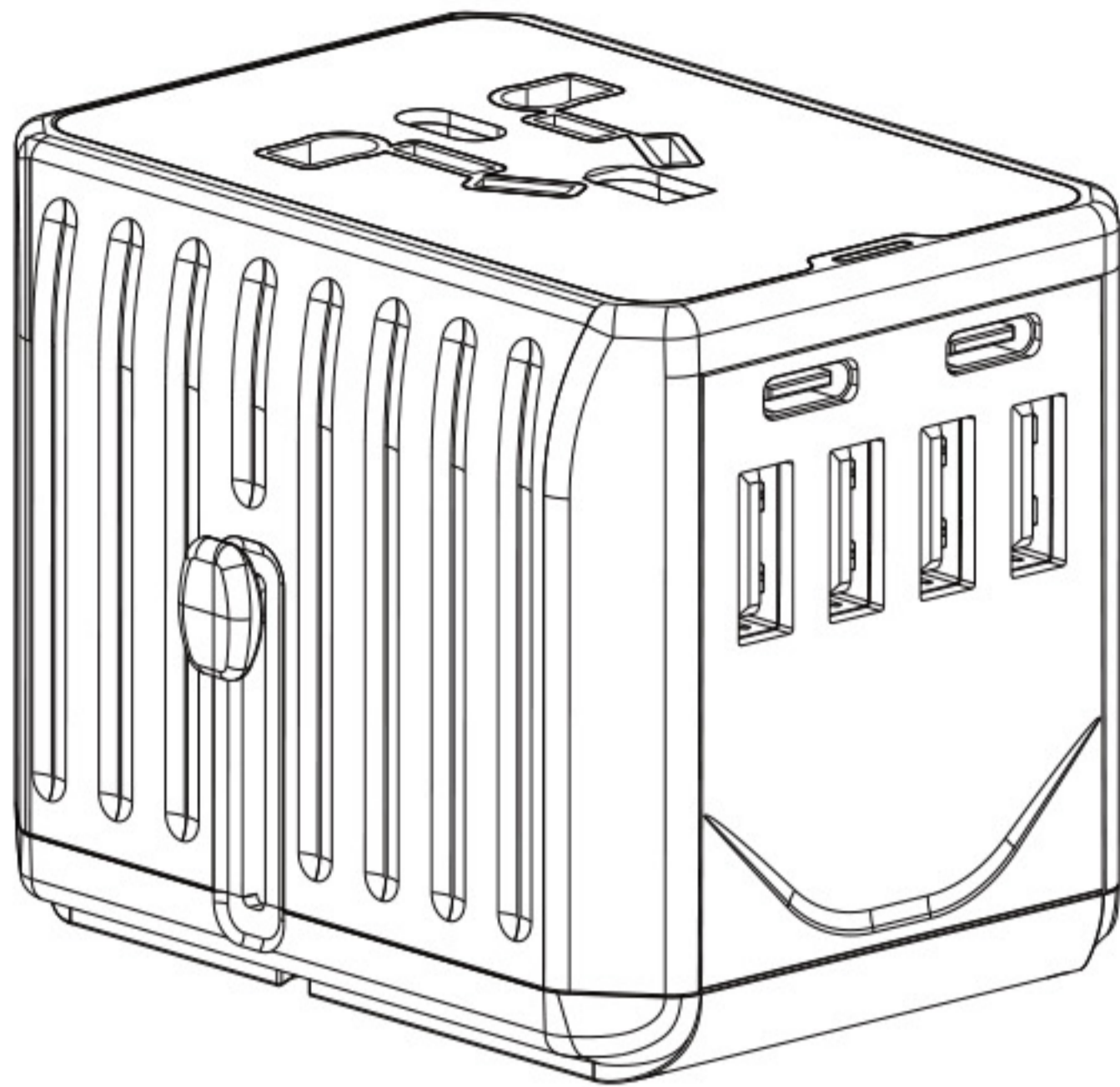


WORLDTRAVEL



Universal USB travel charger



AC Power: 8.0A Max. AC100-240V 50/60Hz
 (Max: 800W at AC100V, 1920W at AC240V)
 USB Rated output: DC5V 6000mA(Total max.)
 Type-C output: DC5V 3000mA(Max.)

It can charge iPad, iPhone, Android mobile phone, tablet PC, digital camera, smart phone, MP3, GPS, etc.

Notice:

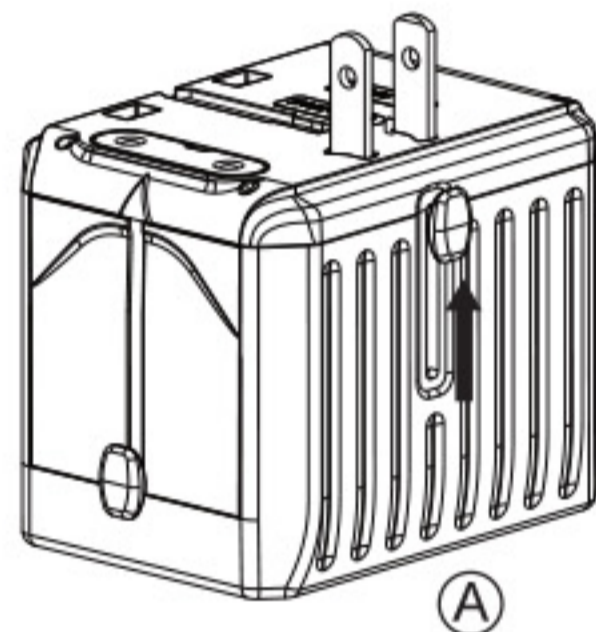
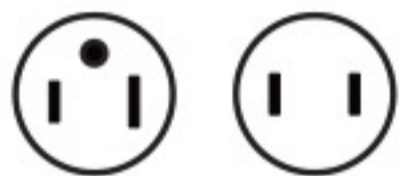
1. Please push and slide plugs out completely when using it.
2. Keep away from reach of children.
3. The adapter can not convert voltage, it is non-grounding and indoor use only.

Function: Built-in multi-plugs and USB charger. It can be used over 150 countries.

Use US plug: Press and pull out the USA plug as arrow A marked.

Stop using: Press and turn the plug back.

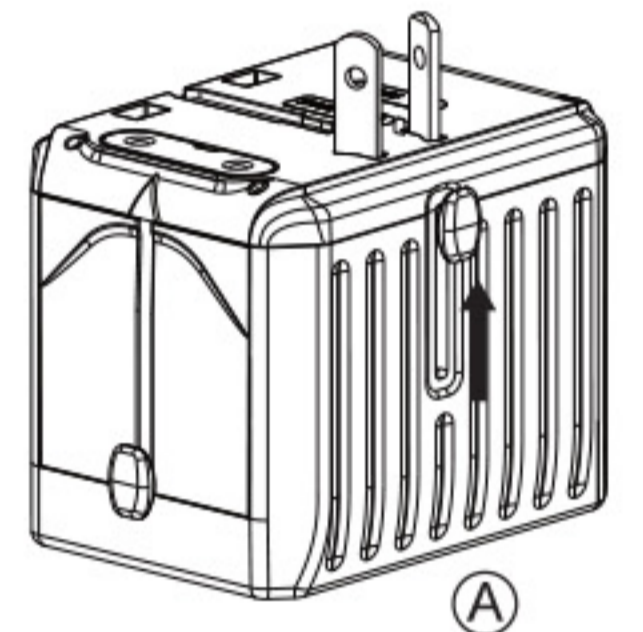
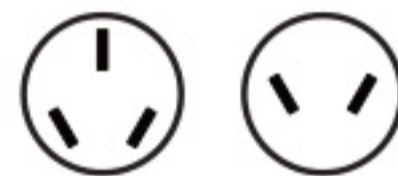
America, Canada, Japan, Taiwan



Use AUS plug: Press and pull out the USA plug as arrow A marked. Then rotated to AUS plug.

Stop using: Press and turn the plug back.

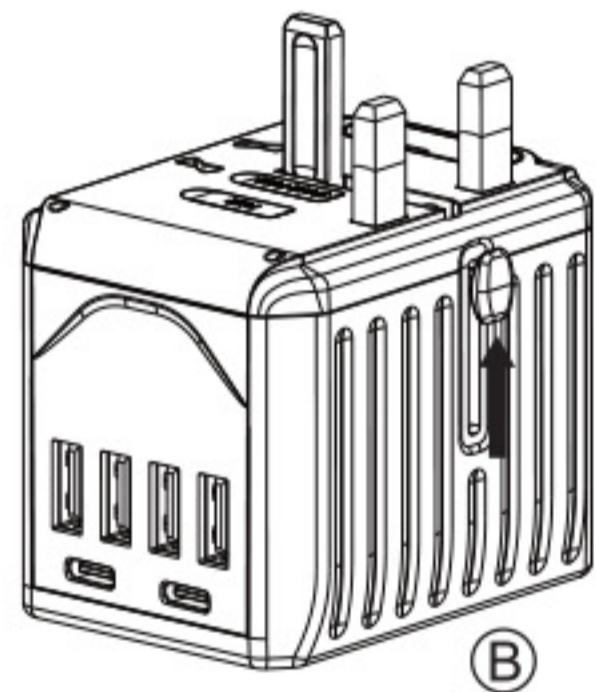
China(Mainland), Australia, New Zealand



Use UK plug: Press and pull out the UK plug as arrow B marked.

Stop using: Press and turn the plug back.

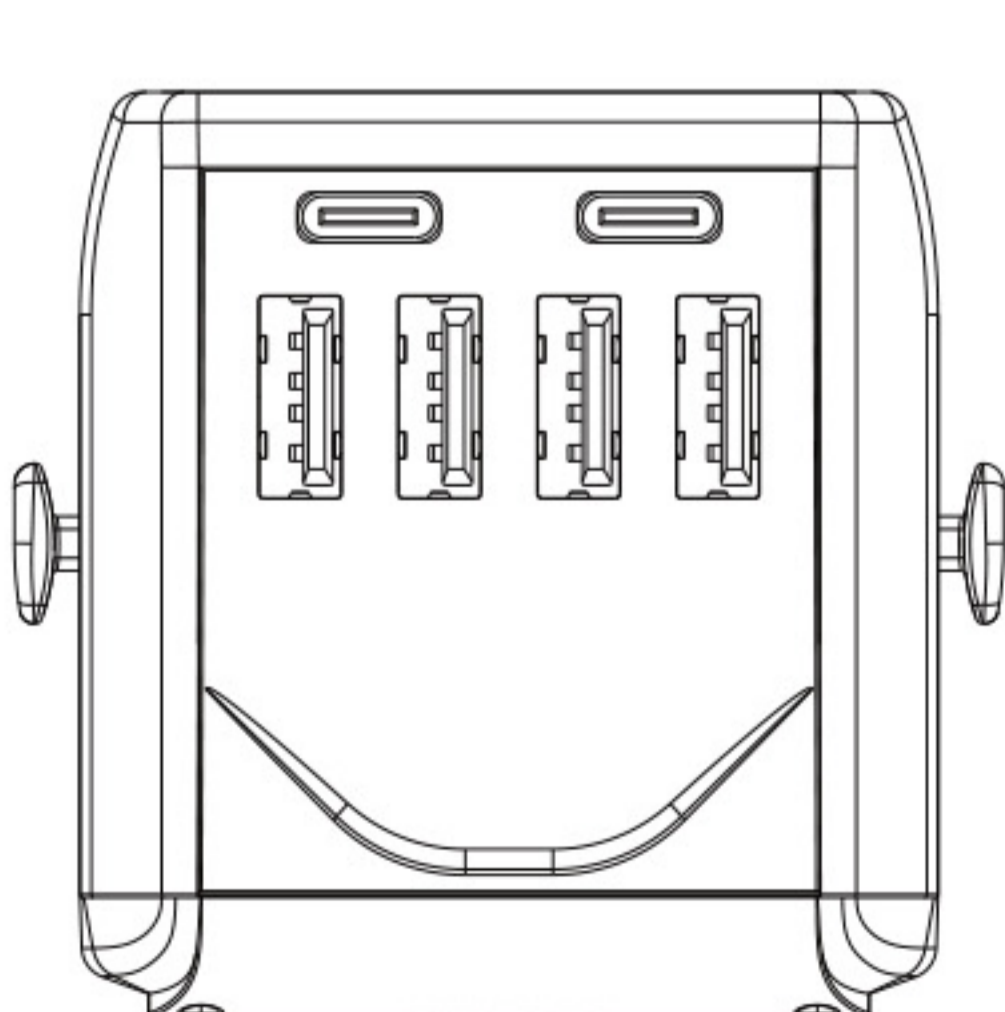
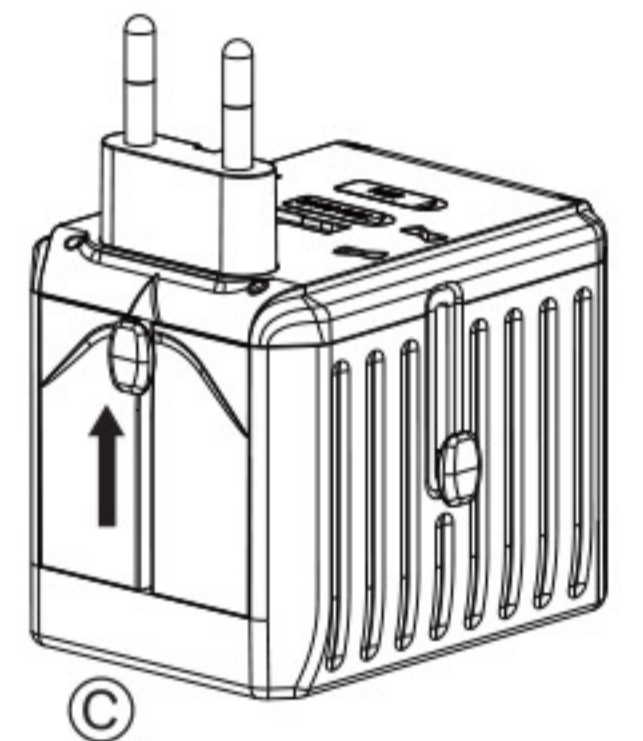
UK, Singapore, HK



Use EU plug: Press and pull out the EURO plug as arrow C marked.

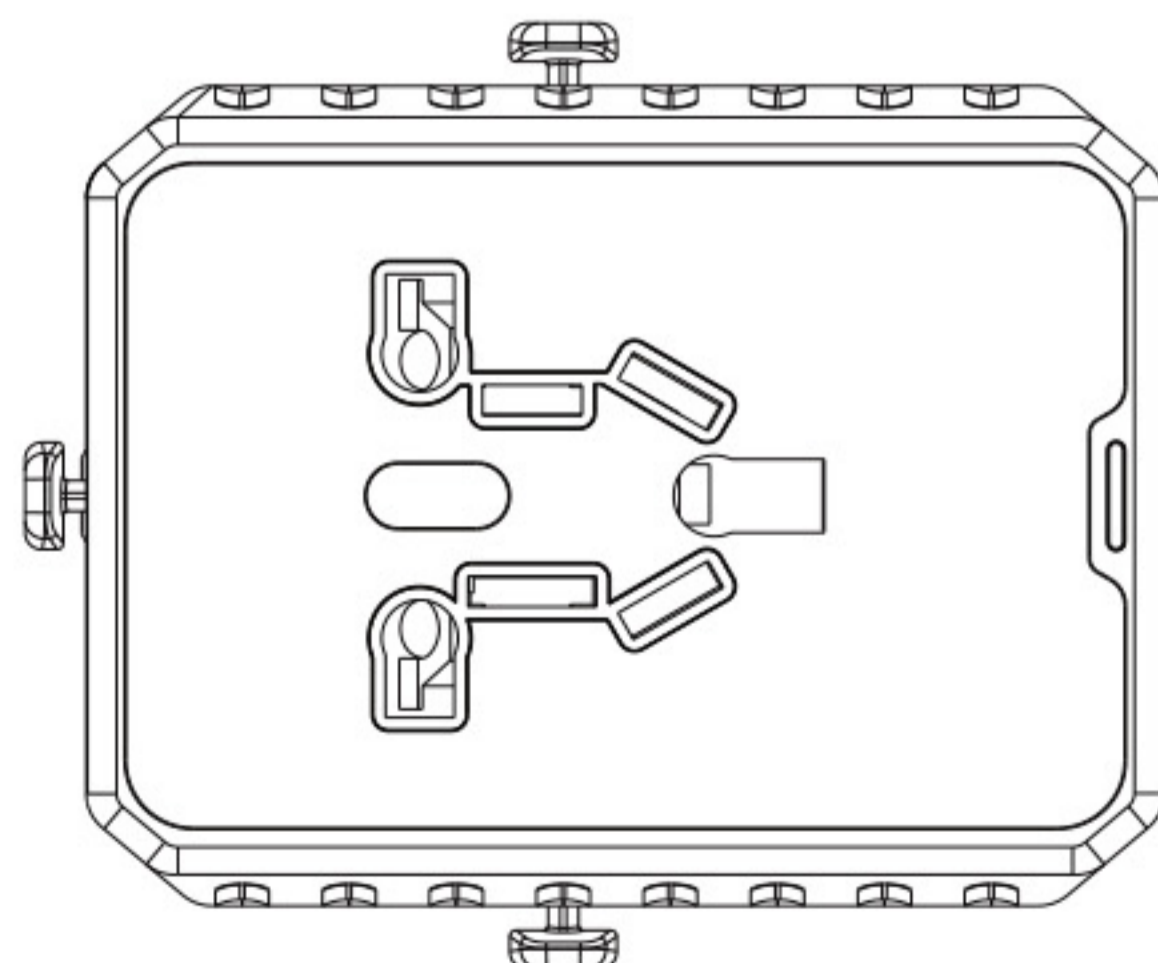
Stop using: Press and turn the plug back.

Germany, Danmark, Finland, France



6 USB Port

6 USB can be used at the same time, 6 USB with smart IC, Can charge most electronic devices.



Safety Shutter

Prevent single plug in, Prevent electric shock, Dustproof.

Suitable for more digital devices

