

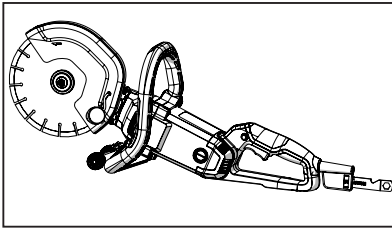
# evOLUTION®

evolutionpowertools.com

Original Instructions  
Original-Anleitung

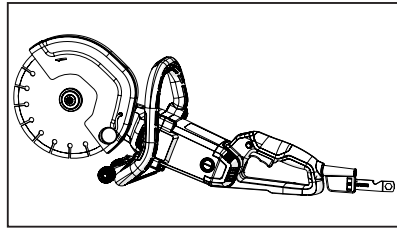
Instrucciones originales  
Instruccions Originales

Istruzioni originali  
Oryginalna instrukcja



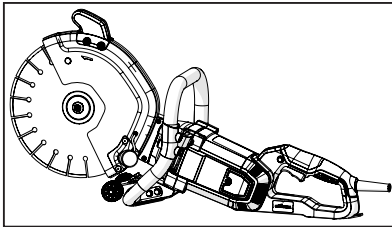
**R230**  
**DCT**

009-0001, 009-0001X,  
009-0002, 009-0002X,  
009-0003, 009-0003X,  
009-0004, 009-0004X,  
009-0006, 009-0006X



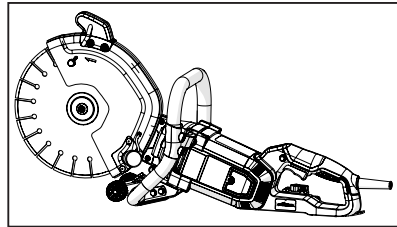
**R255**  
**DCT**

010-0001, 010-0001X,  
010-0002, 010-0002X,  
010-0003, 010-0003X,  
010-0004, 010-0004X,  
010-0006, 010-0006X



**R300**  
**DCT**

012-0001, 012-0001X,  
012-0002, 012-0002X,  
012-0003, 012-0003X,  
012-0004, 012-0004X,  
012-0006, 012-0006X



**R300**  
**DCT+**

012-0001A, 012-0001AX,  
012-0002A, 012-0002AX,  
012-0003A, 012-0003AX,  
012-0004A, 012-0004AX,  
012-0006A, 012-0006AX



5490

ETL US

Intertek  
5015647

**This Instruction Manual was originally written in English.**

### **IMPORTANT**

Please read these operating and safety instructions carefully and completely. For your own safety, if you are uncertain about any aspect of using this equipment please access the relevant Technical Helpline, the number of which can be found on the Evolution Power Tools website. We operate several Helplines throughout our worldwide organization, but Technical help is also available from your supplier.

### **WEB**

**[www.evolutionpowertools.com](http://www.evolutionpowertools.com)**

**Congratulations on your purchase of an Evolution Power Tools Machine. Please complete your product registration 'online' as explained in the A4 online guarantee registration leaflet included with this machine. You can also scan the QR code found on the A4 leaflet with a Smart Phone. This will enable you to validate your machine's guarantee period via Evolutions website by entering your details and thus ensure prompt service if ever needed. We sincerely thank you for selecting a product from Evolution Power Tools.**

### **EVOLUTION LIMITED GUARANTEE.**

**Evolution Power Tools reserves the right to make improvements and modifications to the product design without prior notice.**

**Please refer to the guarantee registration leaflet and/or the packaging for details of the terms and conditions of the guarantee.**

Evolution Power Tools will, within the guarantee period, and from the original date of purchase, repair or replace any goods found to be defective in materials or workmanship. This guarantee is void if the tool being returned has been used beyond the recommendations in the Instruction Manual or if the machine has been damaged by accident, neglect, or improper service. This guarantee does not apply to machines and / or components which have been altered, changed, or modified in any way, or subjected to use beyond recommended capacities and specifications. Electrical components are subject to respective manufacturers' warranties. All goods returned defective shall be returned prepaid freight to Evolution Power Tools. Evolution Power Tools reserves the right to optionally repair or replace it with the same or equivalent item. There is no warranty – written or verbal – for consumable accessories such as (following list not exhaustive) blades, cutters, drills, chisels or paddles etc. In no event shall Evolution Power Tools be liable for loss or damage resulting directly or indirectly from the use of our merchandise or from any other cause. Evolution Power Tools is not liable for any costs incurred on such goods or consequential damages. No officer, employee or agent of Evolution Power Tools is authorized to make oral representations of fitness or to waive any of the foregoing terms of sale and none shall be binding on Evolution Power Tools.

**Questions relating to this limited guarantee should be directed to the company's head office, or call the appropriate Helpline number.**

## SPECIFICATIONS

MACHINE SPECIFICATIONS	R230DCT		R255DCT		R300DCT		R300DCT+	
Product Code UK/EU/AUS	009-0001, 009-0002, 009-0003, 009-0006,	009-0001X, 009-0002X, 009-0003X, 009-0006X	010-0001, 010-0002, 010-0003, 010-0006,	010-0001X, 010-0002X, 010-0003X, 010-0006X	012-0001, 012-0002, 012-0003, 012-0006,	012-0001X, 012-0002X, 012-0003X, 012-0006X	012-0001A, 012-0002A, 012-0003A, 012-0006A,	012-0001AX, 012-0002AX, 012-0003AX, 012-0006AX
Product Code USA	009-0004	009-0004X	010-0004	010-0004X	012-0004	012-0004X	012-0004A	012-0004AX
Motor EU/UK/AUS (220-240V ~ 50Hz)	2000W		2000W		2400W		2400W	
Motor EU/UK (110V ~ 50Hz)	1600W		1600W		1600W		2000W	
Motor USA (120V ~ 60Hz)	15A		15A		15A		15A	
Rated speed (min <sup>-1</sup> )	6000		6000		110V - 4400 120V - 4600 220-240V - 5090		110V - 4400 120V - 4600 220-240V - 5090	
Recommended Max duty cycle	20 mins							
Weight	7.1kg		7.3kg		9.7kg		9.7kg	
Cable length	3m (10ft)		4m (13ft)		3m (10ft) AUS 4m (13ft)		4m (13ft)	
Cutting capacity at 90°	90mm (3-1/2")		102.5mm (4-1/16")		115mm (4-1/2")		115mm (4-1/2")	
BLADE								
Blade supplied	General Diamond	No Blade Included	General Diamond	No Blade Included	General Diamond	No Blade Included	Premium Diamond	No Blade Included
Diameter	230mm (9")		255mm (10")		300mm (12")		300mm (12")	
UK & EU Bore	22.2mm		22.2mm		22.2 / 20mm		22.2 / 20mm	
USA Bore	7/8"		7/8"		1"		1"	
NOISE & VIBRATION DATA								
Sound Pressure Max L <sub>p</sub> A	98.0dB(A) K=3dB(A)							
Sound Power Level Max L <sub>w</sub> A	109.0dB(A) K=3dB(A)							
Handle Vibration Max Level	6.15m/s <sup>2</sup> K=1.5m/s <sup>2</sup>							

**Note:** The vibration measurement was made under standard conditions in accordance with: BS EN 60745-1:2009+A11: 2010

The declared vibration total value has been measured in accordance with a standard test method and may be used for comparing one tool with another.

The declared vibration total value may also be used in a preliminary assessment of exposure.

## VIBRATION

**WARNING:** When using this machine the operator can be exposed to high levels of vibration transmitted to the hand and arm. It is possible that the operator could develop "Vibration white finger disease" (Raynaud syndrome). This condition can reduce the sensitivity of the hand to temperature as well as producing general numbness. Prolonged or regular users of this machine should monitor the condition of their hands and fingers closely.

If any of the symptoms become evident, seek immediate medical advice.

- The measurement and assessment of human exposure to hand-transmitted vibration in the workplace is given in: **BS EN ISO 5349-1:2001 and BS EN ISO 5349-2:2002**
- Many factors can influence the actual vibration level during operation e.g. the work surfaces condition and orientation and the type and condition of the machine being used. Before each use, such factors should be assessed, and where possible appropriate working practices adopted. Managing these factors can help reduce the effects of vibration:

### Handling

- Handle the machine with care, allowing the machine to do the work.
- Avoid using excessive physical effort on any of the machines controls.
- Consider your security and stability, and the orientation of the machine during use.

### Work Surface

- Consider the work surface material; its condition, density, strength, rigidity and orientation.

**WARNING:** The vibration emission during actual use of the power tool can differ from the declared total value depending on the ways in which the tool is used. The need to identify safety measures and to protect the operator are based on an estimation of exposure in the actual conditions of use (taking account of all parts of the operating cycle, such as the times the tool is switched off, when it is running idle, in addition to trigger time).

### LABELS & SYMBOLS

**WARNING:** Do not operate this machine if warning and/or instruction labels are missing or damaged. Contact Evolution Power Tools for replacement labels.

**Note:** All or some of the following symbols may appear in the manual or on the product.

SYMBOL	DESCRIPTION
V	Volts
A	Amperes
Hz	Hertz
Min <sup>-1</sup>	Speed
~	Alternating Current
n	Rated Speed
	Warning!
	Read Instructions
	Dry Cutting Only <i>Only applicable to R230DCT, R255DCT &amp; R300DCT models. Excludes R300DCT+.</i>
	Wear Safety Goggles
	Wear Ear Protection
	Wear Dust Protection
	Wear Head protection
	Wear Safety Gloves
	Wear Safety Boots
	Keep Hands away. Do not place your hand on or below the line marked with this symbol on the front handle. Ensure hand is kept above the line & symbol at all times to ensure a safe distance between your hand and the blade. Failure to do so may cause injury. <i>Applicable to R230DCT &amp; R255DCT</i>
	US Certification
	CE Certification
	Regulatory Compliance Mark (RCM) for electrical and electronic equipment. Australian/New Zealand Standard.
	GS Certification
	Waste Electrical & Electronic Equipment
	Only use diamond blades, do not use toothed blades
	Don't use defected or broken blades
	High risk of kickback
	Risk of dust inhalation
	Risk of Fire. Ensure surrounding area is free from flammable materials.

### INTENDED USE OF THIS POWER TOOL

This machine and has been designed to be used with Evolution blades. Only use accessories designed for use with this machine and/or those recommended specifically by Evolution Power Tools Ltd.

#### When fitted with an appropriate blade this machine can be used to cut:

Brick  
Paving  
Kerb Stones  
Concrete and related construction materials  
Steel  
Non-Ferrous metals  
Natural Stone

### PROHIBITED USE OF THIS POWER TOOL

**WARNING:** This product is a Hand Operated Concrete Saw and must only be used as such. It must not be modified in any way, or used to power any other equipment or drive any other accessories other than those mentioned in this Instruction Manual.

**WARNING:** This machine must not be used to cut any material that may contain asbestos. If the presence of asbestos is suspected, consult the relevant authorities for advice.

**WARNING:** This machine is not intended for use by persons (including children) with reduced physical, sensory or mental capabilities. Potential operators who lack experience concerning the use of this equipment should be given training and be supervised by a competent person who is fully conversant with the working practices necessary to use this equipment safely. Children should be supervised to ensure that they do not have access to, and are not allowed to play with this machine.

### RESIDUAL RISKS

Even if the machine is used & maintained correctly, there are still residual risks that could cause serious injury. Due to the type and nature of this machine, the following potential hazards can occur:

- Contact with the exposed blade (cut)
- Reaching into the rotating blade (cut)
- Parts of the blade being thrown from the machine (cut or blunt injury)
- Parts of the workpiece being thrown from the cut (cut or blunt injury)
- Risk of fire from flying sparks
- Damage to hearing if effective hearing protection is not worn (hearing loss)
- Inhalation of dust particles from the workpiece

- Electric shock when touching uninsulated electrical components.

If the instructions contained in this manual are not followed, other residual risks may arise due to improper use.

### ELECTRICAL SAFETY

This machine is fitted with the correct moulded plug and mains lead for the designated market. If the supply cord of this power tool is damaged, it must be replaced by a specially prepared cord available through the service organisation. The plug, if damaged, should only be replaced with genuine Evolution replacement parts and be fitted by a competent technician.

### (2.1) GENERAL POWER TOOL SAFETY INSTRUCTIONS

(These General Power Tool Safety Instructions are as specified in EN 60745-1: 2009+A11: 2010)

**WARNING: Read all safety warnings and instructions.** Failure to follow the warnings and instructions may result in electric shock, fire and/or serious injury.

**Save all warnings and instructions for future reference.** The term "power tool" in the warnings refers to your mains-operated (corded) power tool or battery-operated (cordless) power tool.

### (2.2) 1) General Power Tool Safety Warnings [Work area safety]

**a) Keep work area clean and well lit.** Cluttered or dark areas invite accidents.

**b) Do not operate power tools in explosive atmospheres, such as in the presence of flammable liquids, gasses or dust.**

Power tools create sparks which may ignite the dust or fumes.

**c) Keep children and bystanders away while operating power tool.** Distractions can cause you to lose control.

### (2.3) 2) General Power Tool Safety Warnings [Electrical Safety]

**a) Power tool plugs must match the outlet.** Never modify the plug in any way.

Do not use any adapter plugs with earthed (grounded) power tools.

Unmodified plugs and matching outlets will reduce the risk of electric shock.

**b) Avoid body contact with earthed or grounded surfaces, such as pipes, radiators, ranges and refrigerators.** There is an increased risk of electric shock if your body is earthed or grounded.

**c) Do not expose power tools to rain or wet conditions.** Water entering a power tool will increase the risk of electric shock.

**d) Do not abuse the cord.** Never use the cord for carrying, pulling or unplugging the power tool. Keep cord away from heat, oil, sharp edges or moving parts. Damaged or entangled cords increase the risk of electric shock.

**e) When operating a power tool outdoors, use an extension cord suitable for outdoor use.** Use of a cord suitable for outdoor use reduces the risk of electric shock.

**f) If operating a power tool in a damp location is unavoidable, use a residual current device (RCD) protected supply.** Use of an RCD reduces the risk of electric shock.

### **(2.4) 3) General Power Tool Safety Warnings [Personal Safety].**

**a) Stay alert, watch what you are doing and use common sense when operating a power tool.** Do not use a power tool while you are tired or under the influence of drugs, alcohol or medication. A moment of inattention while operating power tools may result in serious personal injury.

**b) Use personal protective equipment.** Always wear eye protection. Protective equipment such as dust masks, non-skid safety shoes, hard hat or hearing protection used for appropriate conditions will reduce personal injuries.

**c) Prevent unintentional starting.** Ensure the switch is in the off-position before connecting to power source and or battery pack, picking up or carrying the tool. Carrying power tools with your finger on the switch or energising the power tools that have the switch on invites accidents.

**d) Remove any adjusting key or wrench before turning the power tool on.**

A wrench or key left attached to a rotating part of a power tool may result in personal injury.

**e) Do not overreach.** Keep proper footing and balance at all times. This enables better control of the power tool in unexpected situations.

**f) Dress properly.** Do not wear loose clothing or jewellery. Keep your hair, clothing and gloves away from moving parts. Loose clothes, jewellery or long hair can be caught in moving parts.

**g) If devices are provided for the connection of dust extraction and collection facilities, ensure that these are connected and properly used.** Use of dust collection can reduce dust-related hazards.

### **(2.5) 4) General Power Tool Safety Warnings [Power tool use and care].**

**a) Do not force the power tool.** Use the correct power tool for your application. The correct power tool will do the job better and safer at a rate for which it was designed.

**b) Do not use the power tool if the switch does not turn it on or off.** Any power tool

that cannot be controlled with the switch is dangerous and must be repaired.

**c) Disconnect the power tool from the power source and/or battery pack from the power tool before making any adjustments, changing accessories, or storing power tools.** Such preventative safety measures reduce the risk of starting the power tool accidentally.

**d) Store idle power tools out of the reach of children and do not allow persons unfamiliar with the power tool or these instructions to operate the power tool.** Power tools are dangerous in the hands of untrained users.

**e) Maintain power tools.** Check for misalignment or binding of moving parts, breakage of moving parts and any other condition that may affect the power tools operation. If damaged, have the power tool repaired before use. Many accidents are caused by poorly maintained power tools.

**f) Keep cutting tools sharp and clean.** Properly maintained cutting tools with sharp cutting edges are less likely to bind and are easier to control.

**g) Use the power tool, accessories and tool bits etc. in accordance with these instructions, taking into account the working conditions and the work to be performed.** Use of the power tool for operations different from those intended could result in a hazardous situation.

### **(2.6) 5) General Power Tool Safety Warnings [Service]**

**a) Have your power tool serviced by a qualified repair person using only identical replacement parts.** This will ensure that the safety of the power tool is maintained.

#### **Cut-off machine safety warnings**

**a) The guard provided with the tool must be securely attached to the power tool and positioned for maximum safety, so the least amount of wheel is exposed towards the operator.** Position yourself and bystanders away from the plane of the rotating wheel. The guard helps to protect operator from broken wheel fragments and accidental contact with wheel.

**b) Use only bonded reinforced or diamond cut-off wheels for your power tool.** Just because an accessory can be attached to your power tool, it does not assure safe operation.

**c) The rated speed of the accessory must be at least equal to the maximum speed marked on the power tool.** Accessories running faster than their rated speed can break and fly apart.

**d) Wheels must be used only for recommended applications.** For example: do not grind with the side of cut-off wheel. Abrasive cut-off wheels are intended for peripheral

grinding, side forces applied to these wheels may cause them to shatter.

**e) Always use undamaged wheel flanges that are of correct diameter for your selected wheel.** Proper wheel flanges support the wheel thus reducing the possibility of wheel breakage.

**f) Do not use worn down reinforced wheels from larger power tools.** Wheels intended for a larger power tool are not suitable for the higher speed of a smaller tool and may burst.

**g) The outside diameter and the thickness of your accessory must be within the capacity rating of your power tool.** Incorrectly sized accessories cannot be adequately guarded or controlled.

**h) The arbour size of wheels and flanges must properly fit the spindle of the power tool.** Wheels and flanges with arbour holes that do not match the mounting hardware of the power tool will run out of balance, vibrate excessively and may cause loss of control.

**i) Do not use damaged wheels.** Before each use, inspect the wheels for chips and cracks. If power tool or wheel is dropped, inspect for damage or install an undamaged wheel. After inspecting and installing the wheel, position yourself and bystanders away from the plane of the rotating wheel and run the power tool at maximum no load speed for one minute. Damaged wheels will normally break apart during this test time.

**j) Wear personal protective equipment.** Depending on application, use face shield, safety goggles or safety glasses. As appropriate, wear dust mask, hearing protectors, gloves and shop apron capable of stopping small abrasive or workpiece fragments. The eye protection must be capable of stopping flying debris generated by various operations. The dust mask or respirator must be capable of filtrating particles generated by your operation. Prolonged exposure to high intensity noise may cause hearing loss.

**k) Keep bystanders a safe distance away from work area.** Anyone entering the work area must wear personal protective equipment. Fragments of workpiece or of a broken wheel may fly away and cause injury beyond immediate area of operation.

**l) Hold the power tool by insulated gripping surfaces only, when performing an operation where the cutting accessory may contact hidden wiring or its own cord.** Cutting accessory contacting a "live" wire may make exposed metal parts of the power tool "live" and could give the operator an electric shock.

**m) Position the cord clear of the spinning accessory.** If you lose control, the cord may be cut or snagged and your hand or arm may be

pulled into the spinning wheel.

**n) Never lay the power tool down until the accessory has come to a complete stop.**

The spinning wheel may grab the surface and pull the power tool out of your control.

**o) Do not run the power tool while carrying it at your side.** Accidental contact with the spinning accessory could snag your clothing, pulling the accessory into your body.

**p) Regularly clean the power tool's air vents.** The motor's fan will draw the dust inside the housing and excessive accumulation of powdered metal may cause electrical hazards.

**q) Do not operate the power tool near flammable materials.** Sparks could ignite these materials.

**r) Do not use accessories that require liquid coolants.** Using water or other liquid coolants may result in electrocution or shock.

#### **Kickback and related warnings**

Kickback is a sudden reaction to a pinched or snagged rotating wheel. Pinching or snagging causes rapid stalling of the rotating wheel which in turn causes the uncontrolled power tool to be forced in the direction opposite of the wheel's rotation at the point of the binding. For example, if an abrasive wheel is snagged or pinched by the workpiece, the edge of the wheel that is entering into the pinch point can dig into the surface of the material causing the wheel to climb out or kick out. The wheel may either jump toward or away from the operator, depending on direction of the wheel's movement at the point of pinching. Abrasive wheels may also break under these conditions. Kickback is the result of power tool misuse and/or incorrect operating procedures or conditions and can be avoided by taking proper precautions as given below.

**a) Maintain a firm grip on the power tool and position your body and arm to allow you to resist kickback forces.** Always use auxiliary handle, if provided, for maximum control over kickback or torque reaction during start-up. The operator can control torque reactions or kickback forces, if proper precautions are taken.

**b) Never place your hand near the rotating accessory.** Accessory may kickback over your hand.

**c) Do not position your body in line with the rotating wheel.** Kickback will propel the tool in direction opposite to the wheel's movement at the point of snagging.

**d) Use special care when working corners, sharp edges etc. Avoid bouncing and snagging the accessory.** Corners, sharp edges or bouncing have a tendency to snag the rotating accessory and cause loss of control or kickback.

**e) Do not attach a saw chain, woodcarving blade, segmented diamond wheel with a peripheral gap greater than 10 mm or toothed saw blade.** Such blades create frequent kickback and loss of control.

**f) Do not “jam” the wheel or apply excessive pressure.** Do not attempt to make an excessive depth of cut. Overstressing the wheel increases the loading and susceptibility to twisting or binding of the wheel in the cut and the possibility of kickback or wheel breakage.

**g) When wheel is binding or when interrupting a cut for any reason, switch off the power tool and hold the power tool motionless until the wheel comes to a complete stop.** Never attempt to remove the wheel from the cut while the wheel is in motion otherwise kickback may occur. Investigate and take corrective action to eliminate the cause of wheel binding.

**h) Do not restart the cutting operation in the workpiece.** Let the wheel reach full speed and carefully re-enter the cut. The wheel may bind, walk up or kickback if the power tool is restarted in the workpiece.

**i) Support panels or any oversized workpiece to minimize the risk of wheel pinching and kickback.** Large workpieces tend to sag under their own weight. Supports must be placed under the workpiece near the line of cut and near the edge of the workpiece on both sides of the wheel.

**j) Use extra caution when making a “pocket cut” into existing walls or other blind areas.** The protruding wheel may cut gas or water pipes, electrical wiring or objects that can cause kickback.

#### **(2.7) HEALTH ADVICE**

**WARNING:** When using this machine, dust particles may be produced. In some instances, depending on the materials you are working with, this dust can be particularly harmful. If you suspect that paint on the surface of material you wish to cut contains lead, seek professional advice. Lead based paints should only be removed by a professional and you should not attempt to remove it yourself. Once the dust has been deposited on surfaces, hand to mouth contact can result in the ingestion of lead. Exposure to even low levels of lead can cause irreversible brain and nervous system damage. The young and unborn children are particularly vulnerable.

You are advised to consider the risks associated with the materials you are working with and to reduce the risk of exposure. As some materials can produce dust that may be hazardous to your health, we recommend the use of an approved face mask with replaceable filters when using this machine.

#### **You should always:**

- Work in a well-ventilated area.
- Work with approved safety equipment, such as dust masks that are specially designed to filter microscopic particles.

**(2.8) WARNING:** the operation of any power tool can result in foreign objects being thrown towards your eyes, which could result in severe eye damage. Before beginning power tool operation, always wear safety goggles or safety glasses with side shield or a full face shield where necessary.

#### **ADDITIONAL SAFETY INSTRUCTIONS**

**WARNING:** Always disconnect the Concrete Cutting Saw from the mains supply before cleaning, carrying out maintenance or changing blades.

- **Keep your hands away from cutting area or the blade.** If both your hands are holding the machines handles, they cannot come into contact with the diamond cutting blade.
- **Never engage the spindle lock button while the machine is running.** Serious damage could occur to the machine and a potentially dangerous situation could arise for the operator.
- **Only use cutting blades or other approved cutting blades as specified by the manufacturer.**
- **Visually check the cutting blade before starting the machine.** If it is cracked, broken or bent, do not use it. Carefully start the machine and check for any unusual noises, vibration or other abnormalities.
- **Be careful when cutting metal.** Using the diamond blade to cut metal (reinforcing rods embedded in concrete) will shorten its service life. Use a specialist metal cutting blade where possible.
- **Allow the cutting blade to reach full speed before beginning a cut.** Start working only when maximum speed is reached.
- **Do not use excessive force.** Excessive force overloads the motor and reduces working efficiency and service life.
- **Only cut concrete, tile or stone to a maximum cutting depth of 50mm or less.** If the cutting depth ultimately required is greater than 50mm, cut the workpiece 2 or 3 times. If a cutting depth of more than 50mm is attempted in one pass the service life of the cutting blade could be reduced and motor damage occur.
- **Install the dust extraction port cover when a dust collection hose is not in use.** During cutting operations sparks could be generated. Cover the dust extraction port with its rubber cap and be sure to wear protective glasses.
- **Never use a damaged or incorrect arbor bolt or blade flanges.** The blade flanges



and arbor bolt were specially designed for your machine and will provide optimum performance during cutting operations.

- **This machine is fitted with the correct moulded plug and mains lead for the intended country of use.** Do not alter or modify the mains cable or plug in any way. If the mains lead or the plug are damaged in any way, they must be replaced with original replacement parts by a competent technician.
- **Where possible always use a method of dust control when cutting concrete, either Dust extraction or water suppression where applicable.** When using dust extractors with Evolution Disc Cutters ensure these are rated as Class M or Class H when cutting concrete.

**WARNING:** This machine must not be used to cut any material that may contain asbestos. If the presence of asbestos is suspected, consult the relevant authorities for advice.

#### PPE (Personal Protective Equipment)

**Note:** If using this equipment on a construction site it is important that the operator conforms to any site rules/regulations that may apply. Consult the site foreman or other responsible person for details.

- **Wear suitable clothing.** This could include a Boiler Suit or Padded Coverall and Hi Vis jacket etc.
- **Wear suitable footwear.** Safety shoes with steel toe caps and anti-slip soles are recommended.
- **Wear suitable Safety Glasses.** A Full Face Safety Shield or Safety Goggles with side shields is recommended.
- **Protect your hearing.** Wear suitable ear protectors.
- **Wear suitable gloves.** High grip gloves are recommended.
- **Wear respiratory protection.** A dust mask with replaceable filters which provide protection against fine toxic dust, fibres and vapours is recommended.
- **Wear a Safety Helmet.** The use of a Safety Hat may be compulsory on some construction sites to protect the operator from potential overhead dangers.

#### (4.1) GETTING STARTED - UNPACKING

**Caution:** This packaging contains sharp objects. Take care when unpacking. Remove the machine, together with the accessories supplied from the packaging. Check carefully to ensure that the machine is in good condition and account for all the accessories listed in this manual. Also make sure that all the accessories are complete. If any parts are found to be missing, the machine and its accessories should

be returned together in their original packaging to the retailer. Do not throw the packaging away; keep it safe throughout the guarantee period. Dispose of the packaging in an environmentally responsible manner. Recycle if possible. Do not let children play with empty plastic bags due to the risk of suffocation.

#### (4.2) ITEMS SUPPLIED

DESCRIPTION	QUANTITY
Instruction Manual	1
Blade *	1
Multi-tool (Adjustments)	1
Wheeled Undercarriage	1
Rubber Cap (extraction port)	1
Hose Connector (R300DCT+)	1

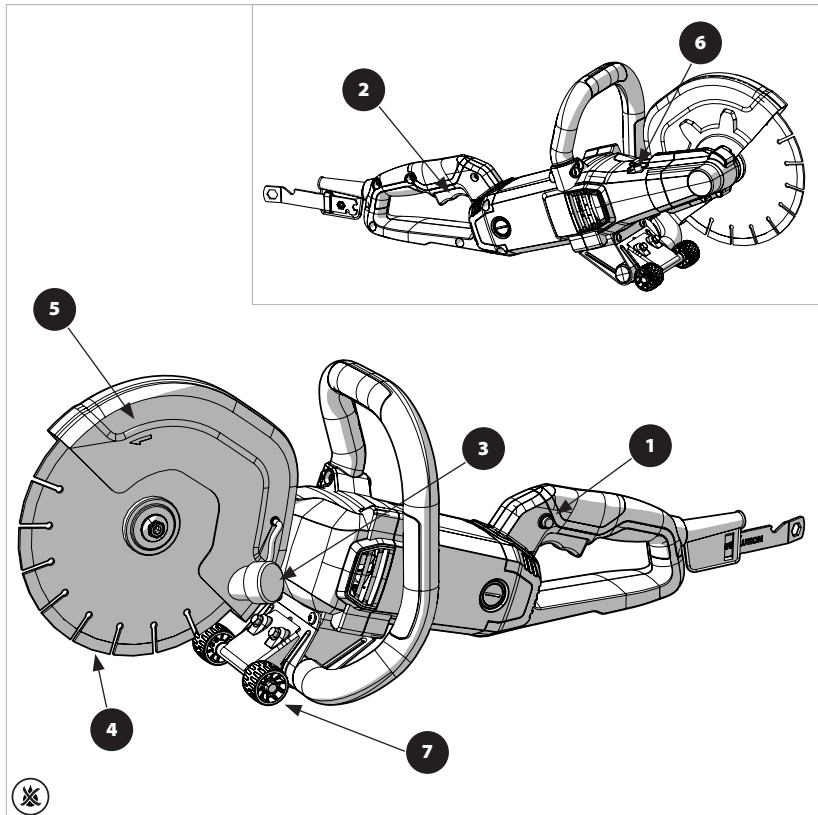
\* Some models supplied with no blade. See specification table for details.

#### (4.3) ADDITIONAL ACCESSORIES

In addition to the standard items supplied with this machine the following accessories are also available from the Evolution online shop at [www.evolutionpowertools.com](http://www.evolutionpowertools.com) or from your local retailer.

#### (4.4)

DESCRIPTION	PART NO
Specialist cutting blades are available	Consult the Evolution Helpline for further information and details
Hand pump water bottle	Consult the Evolution Helpline for further information and details
Foot pump water bottle	Consult the Evolution Helpline for further information and details
Carry Case	Consult the Evolution Helpline for further information and details
Dust port adaptors	Consult the Evolution Helpline for further information and details
Wet cut kit (to convert R300DCT)	Consult the Evolution Helpline for further information and details

**MACHINE OVERVIEW R230DCT**

**1.** Safety Lock Button

**2.** Trigger Switch

**3.** Dust Extraction Port

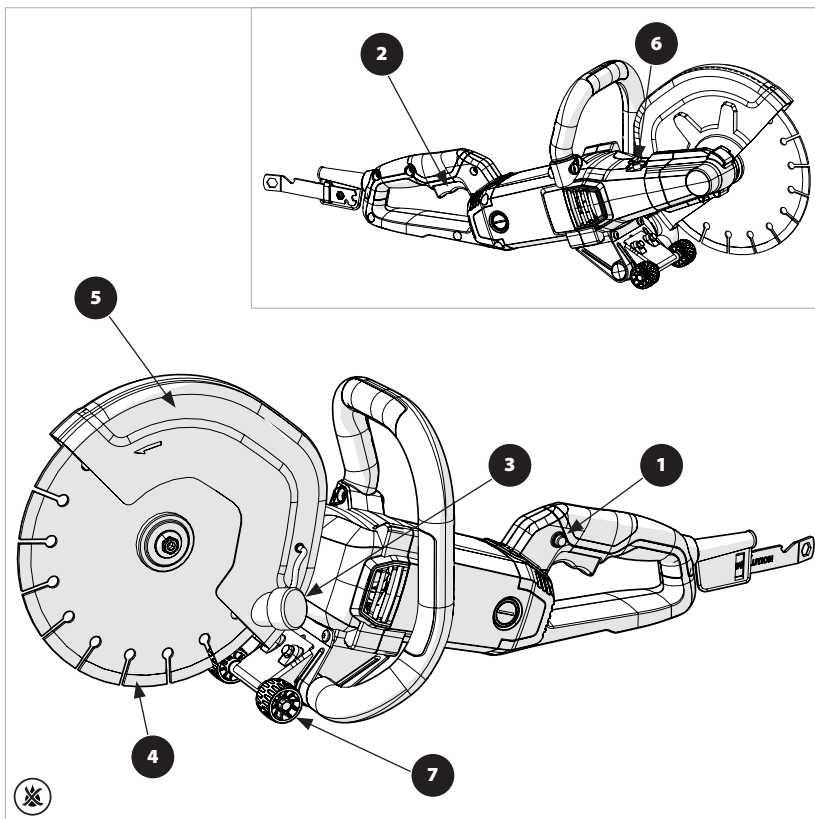
**4.** Cutting Disc

**5.** Blade Guard

**6.** Arbor Lock Button

**7.** Wheeled undercarriage

### MACHINE OVERVIEW R255DCT



1. Safety Lock Button

2. Trigger Switch

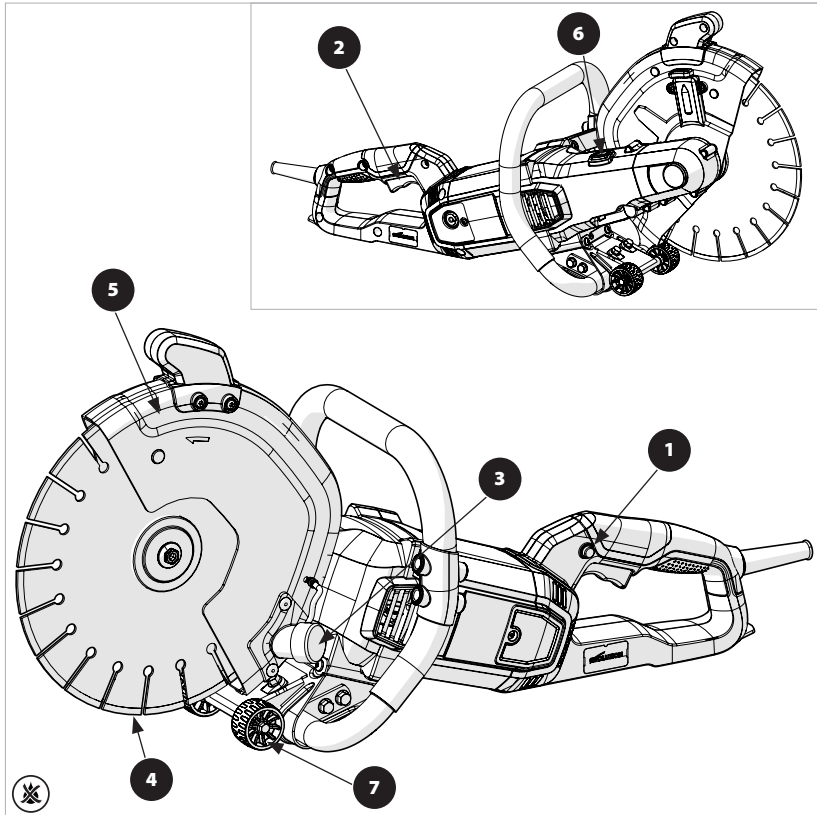
3. Dust Extraction Port

4. Cutting Disc

5. Blade Guard

6. Arbor Lock Button

7. Wheeled undercarriage

**MACHINE OVERVIEW R300DCT**

**1.** Safety Lock Button

**2.** Trigger Switch

**3.** Dust Extraction Port

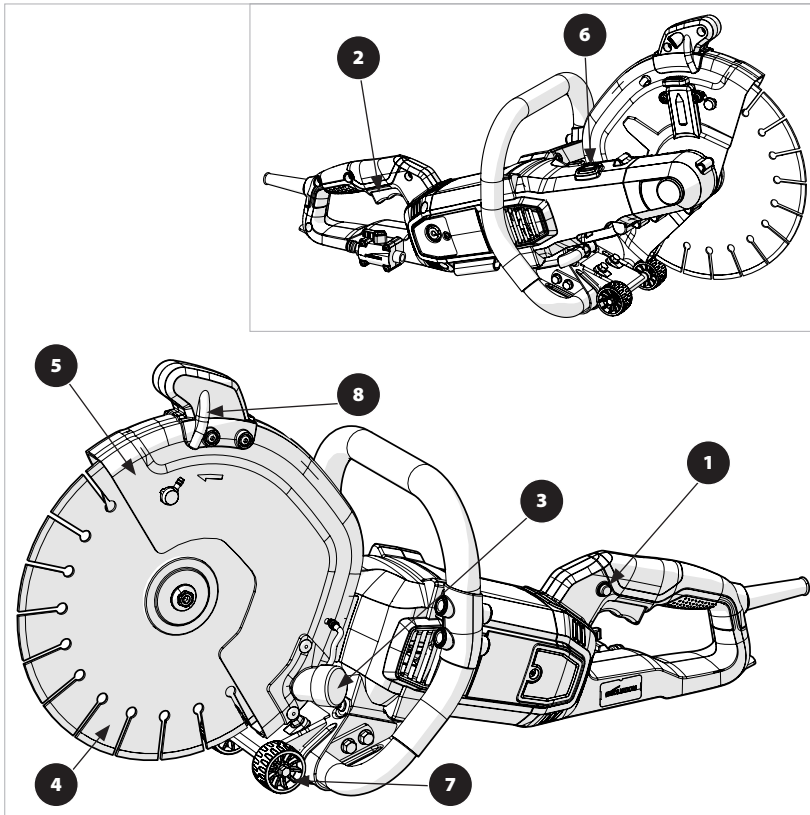
**4.** Cutting Disc

**5.** Adjustable Blade Guard

**6.** Arbor Lock Button

**7.** Wheeled undercarriage

**MACHINE OVERVIEW R300DCT+**



**1.** Safety Lock Button

**2.** Trigger Switch

**3.** Dust Extraction Port

**4.** Cutting Disc

**5.** Adjustable Blade Guard

**6.** Arbor Lock Button

**7.** Wheeled undercarriage

**8.** Water feed

**GENERAL DESCRIPTION**

Evolution Concrete Cutting Saws have been designed to incorporate many unique & time saving design features. Some of these features are shared across the range. Refer to the Specification section of this Instruction Manual to identify the specific features found on any particular machine.

**Shared Features:**

- Safety Start ON/OFF Trigger Switch
- Widely spaced ergonomic front and rear handles which provide enhanced operator control and aid safety.
- Optimum weight balance between the front and rear handles promotes comfort and reduces operator fatigue.
- Front and rear handles electrically insulated from the machines metal parts.
- Dust extraction capability.
- Quality rubber sheathed power cable.
- Reinforced Steel Skid Plate.
- Removable wheeled undercarriage.
- Multi-purpose adjustment tool
- On board Tool Storage
- Replaceable motor brushes

**Note:** Where necessary machine specific features are referred to throughout this Manual.

**BLADE FLANGES**

**USA:** Machines destined for the USA market are supplied with blade flanges which accommodate blades with an arbor hole of  $\varnothing 25.4\text{mm}$  ( $\varnothing 1"$ ) for 12" blades, and  $\varnothing 22.2$  ( $\varnothing 7/8"$ ) arbor hole for 9 & 10" blades.

**OTHER MARKETS:** Other machines are supplied with blade flanges that can accommodate blades with either a  $\varnothing 20\text{mm}$  ( $\varnothing 3/4"$ ) or  $\varnothing 22.2$  ( $\varnothing 7/8"$ ) arbor hole depending upon how the flanges are installed.

### INSTALLING A CUTTING BLADE.

(Ø20mm Ø22.2mm and Ø25.4mm bore blades)

**WARNING:** Always disconnect the machine from the power supply before attempting to install or remove a blade.

- Ensure that the machines arbor and the blade flanges are clean and free from any dust or debris.
- Ensure that the direction of rotation marked on the blade matches the direction of rotation marked on the machines guard.
- Install blade flange (a) on the inner side of the blade. (Fig. 1)
- Install the blade with reference to the direction of rotation arrows.
- Install the outer blade flange (b) and insert the arbor bolt (c) into the machines arbor, for your appropriate machine. (Fig. 1)

#### All Machines:

- Press the arbor lock to lock the machines arbor. (Fig. 2)
- Tighten the arbor bolt using the supplied multi-tool. (Fig. 3)
- Release the arbor lock.
- Carefully rotate the blade by hand and check that it is secure, correctly positioned on the blade flanges and that it rotates freely.

### REMOVING A CUTTING BLADE

(All Evolution Machines)

- Press the arbor lock to lock the machines arbor.
- Loosen and remove the arbor bolt using the supplied multi-tool.
- Withdraw the outer washer and blade flange.
- Remove the blade.
- If necessary remove the inner blade flange for inspection and/or cleaning.

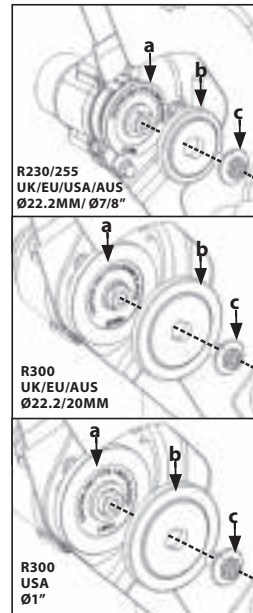


FIG. 1

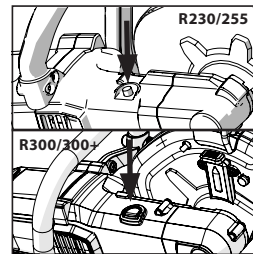


FIG. 2

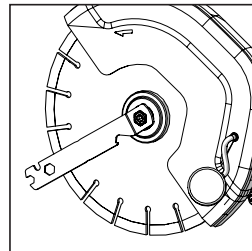
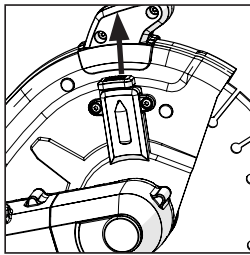


FIG. 3



**FIG. 4**

**ADJUSTABLE BLADE GUARD  
(R300 DCT+ and R300 DCT)**

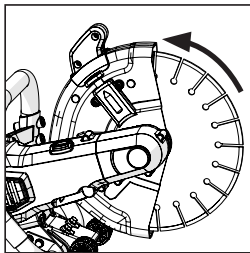
The blade guard on these machines is adjustable. It should be positioned to provide the operator with the best combination of personal protection and visibility of the cutting line.

**Note:** Machines R255 DCT and R230 DCT are equipped with fixed blade guards.

**To adjust the Blade Guard:**

**WARNING:** Disconnect the machine from the power supply before repositioning the blade guard.

- Operate the blade guard locking system by pulling the locking pin upwards. **(Fig. 4)**
- Rotate the blade guard to the optimum position using the blade guard rotation handle. **(Fig. 5)**
- Release the locking pin.
- Check the security of the blade guard.



**FIG. 5**

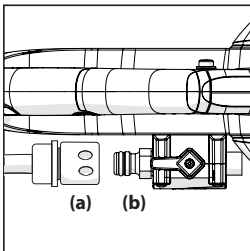
**DUST SUPPRESSION SYSTEM  
(Machine R300 DCT+)**

R300 DCT+ is fitted with a dust suppression system. This system will deliver a jet of water at equal pressure and volume to both sides of the blade.

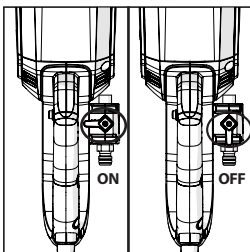
**Note:** R300 DCT is pre-prepared and can be retro fitted with the dust suppression system. Contact your supplier or access the Evolution Helpline for further details.

**To use the dust suppression system:**

- Connect a hose from a water supply to the saw, the water supply could be a mains water tap or an Evolution Water Bottle system.
- Push the hose connector **(Fig. 6a)** on to the Water Valve hose adaptor **(Fig. 6b)** there will be a click and the hose connector will be secured.
- Once connected to the water supply pressurise the water either by pumping the bottle or turning on the mains tap.
- Open the water valve to feed water to the blade. The rate of flow can be adjusted by the water valve on the saw. **(Fig. 6c)**
- After finishing the cut, switch off the machine, turn the water valve (3) off to stop flow of water to the blade.
- Disconnect the saw from the water supply by pushing back the hose connector release collar.



**FIG. 6a & b**



**FIG. 6c**

**Note:** Adjust the system so that just enough water is supplied to adequately suppress the dust created by the cutting process.



**WARNING:** Ensure that any hose supplying water to the machine is of a suitable length. Hoses should be routed in such a way as not to pose a trip or any other form of hazard.

**WARNING:** Keep liquid away from the tool and any people in the working area.

**Note:** The Maximum permitted pressure of the liquid supply is 5.5 BAR.

**Note:** When not in use drain the hose of any residual water. Keep the tank and parts clean and free of debris.

**A Residual Current Device (RCD)** is fitted to the R300DCT+ for RCD operation please follow these instructions:

- When plugging the saw in the RCD will need to be reset before the saw will power on.
- Plug the saw in, press the reset button on the RCD, there will be a click. **(Fig. 7a)**
- The indicator window will change to RED to show the power is on. **(Fig. 7b)**
- To test, press the TEST button. Again, there will be a click and the indicator window will switch to black showing the power is off. **(Fig. 7c)**
- Press the reset button again to reset and use the saw.

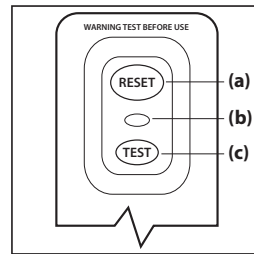
**Note:** If the RCD trips during use, simply press RESET.

### TWIN WHEELED UNDERCARRIAGE (All Evolution machines)

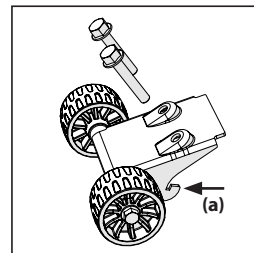
A twin wheeled undercarriage **(Fig. 8)** is supplied with all machines. When fitted **(Fig. 9)** this can provide useful extra stability (and operator comfort) particularly when cutting horizontally and at ground level. It will also ensure that the cutting blade does not touch the ground surface etc when the machine is laid down to rest between cuts.

To fit the Undercarriage:

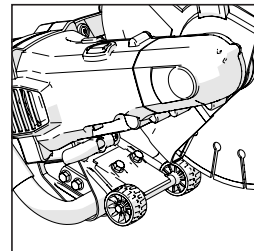
- Insert the hooks **(Fig 8a)** into the slots on the underside of the Skid Plate.
- Use the supplied undercarriage bolts to secure the carriage to the machine. **(Fig. 10)**



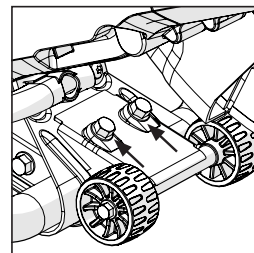
**FIG. 7**



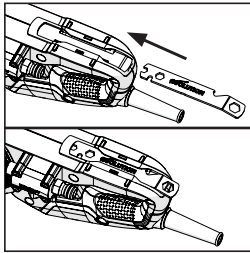
**FIG. 8**



**FIG. 9**



**FIG. 10**



**FIG. 11**

**ON BOARD TOOL STORAGE.**

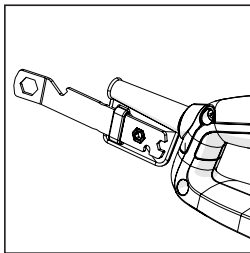
All Evolution machines are provided with on-board storage for the supplied multi-tool.

**R300 DCT+ and R300 DCT**

Storage provision is located under the machines handle. (Fig. 11)

**R225 DCT and R230 DCT**

Storage is provided by the sleeve incorporated into the mains cable reinforcement grommet. (Fig.12)

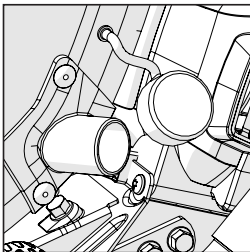


**FIG. 12**

**CONNECTING A DUST EXTRACTION MACHINE.  
(All Evolution machines)**

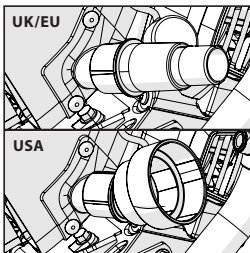
**WARNING:** Dust can be very dangerous. We strongly recommend that a suitable dust extraction machine (not supplied) is used with these machines to keep the workplace as clean and safe as possible.

The connection hose of the dust extraction machine should be attached to the dust extraction port of the Blade Guard.



**FIG. 13**

- Remove the rubber cap from the dust extraction port (Fig. 13) and safely store it for future reinstallation.
- Push the connection hose from the extraction machine onto the extraction port using an appropriate adaptor. (Fig. 14)
- Follow the instructions supplied with the dust extraction machine.
- Ensure that the hose and power cable of an attached dust extraction machine do not pose a trip or any other form of hazard.
- When the dust extraction machine is no longer required, remove it from the Concrete Cutting Saw and replace the rubber cap to the dust extraction port.



**FIG. 14**

**NOTE:** When using dust extractors with Evolution Disc Cutters ensure these are rated as Class M or Class H when cutting concrete.

**THE ON/OFF TRIGGER SWITCH (Fig. 15)  
(All Evolution machines)**

**Note:** These machines are fitted with a Safety Start Trigger Switch.

**To start the machine:**

- Push in the safety lock button on the side of the handle with your thumb.
- Depress the main trigger switch to start the motor.

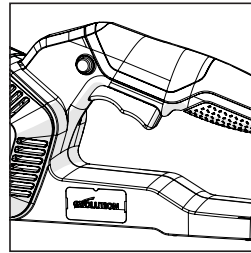
**WARNING:** Never start the saw with the cutting edge of the cutting blade in contact with the workpiece surface.

**CUTTING ADVICE**

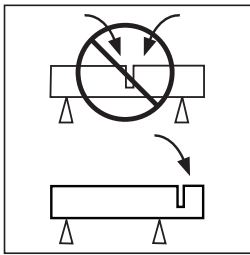
**Note:** As Evolution Power Tools has no control of how its equipment may be used, the following guidelines (not exhaustive) are offered to help operators use the equipment safely and efficiently.

**PRE-CUTTING CHECKS**

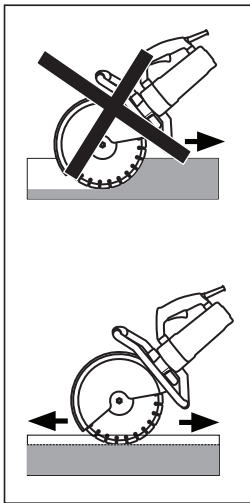
- Ensure that the power supply matches the requirements specified on the machines rating plate.
- Ensure that the machines trigger switch is in the 'OFF' position. If the machine were to be connected to a power source with the trigger switch in the 'ON' position, the machine could start operating immediately with the possibility of a serious accident occurring.
- If an extension cable is required it must be of a suitable type for the work environment. If used outdoors it should be waterproof and so labelled.
- The manufacturers instructions should be followed when using an extension cable.
- Route any extension cable so that it does not pose a trip (or any other) hazard to the operator, colleagues or any bystanders



**FIG. 15**



**FIG. 16**



**FIG. 17**

### CUTTING PROCEDURES

Mark out all the cutting lines on the workpiece using suitable media – pencil, crayon, chalk etc. All cutting lines should be clear and readily visible.

- If possible support the workpiece in such a way that it is possible to predict what will happen, and that the cut will remain stable and open while cutting. **(Fig. 16)**
- Align the cutting blade with pre-marked cutting lines. Ensure that the cutting blade is not touching the workpiece before commencing cutting operations.
- Switch the machine 'ON' and allow the blade to reach its full operational speed.
- Gently feed the blade into the workpiece. Performance is best when cutting straight ahead along a pre-marked cutting line. Do not cut a depth greater than 50mm (2"). **(Fig. 17)**
- If a cut of greater than 50 mm (2") is required make several passes.
- Cut smoothly, allowing the machine to do the work without forcing the blade.

**WARNING:** Do not attempt to cut curved or zig zag lines. Never use the side of the blade as a cutting surface. Never use to perform inclination cutting.

- Move the blade slowly backwards and forwards and try to achieve a small contact area between the blade and the workpiece being cut. This reduces the temperature of the blade and ensures efficient cutting.
- If the blade seizes or there is any abnormal noise, immediately turn the power 'OFF' and investigate the cause. Determine the cause of any noise or stoppage. Only recommence cutting if it is safe to do so.
- Feed the machine down in line with the blade. Sideways pressure on the blade can damage it and can be dangerous.

## MAINTENANCE

**WARNING:** Any maintenance must be carried out with the machine switched off and disconnected from the mains power supply.

On a regular basis check that all safety features and guards are operating correctly. Only use this machine if all guards/safety features are fully operational. All motor bearings in this machine are lubricated for life. No further lubrication is required.

Use a clean, slightly damp cloth to clean the plastic parts of the machine. Do not use solvents or similar products which could damage the plastic or rubber parts.

Removing the blade from the machine will allow access to the inside of the blade guard. Any build up of debris etc can be removed using a blunt non metallic scrapper or similar tool (not supplied).

**WARNING:** Do not attempt to clean the machine by inserting pointed objects through openings in the machines casings etc. The machines air vents can be cleaned using compressed dry air. Observe all necessary H&S precautions when using compressed air as a cleaning medium.

Excessive sparking may indicate the presence of dirt in the motor or worn out carbon brushes.

If this is suspected have the machine serviced and the brushes replaced by a qualified technician.

## ENVIRONMENTAL PROTECTION

Waste electrical products should not be disposed of with household waste. Please recycle where facilities exist. Check with your Local Authority or retailer for recycling advice.



**DECLARATION OF CONFORMITY**

The manufacturer of the product covered by this Declaration is:

**UK:** Evolution Power Tools Ltd. Venture One, Longacre Close, Holbrook Industrial Estate, Sheffield, S20 3FR.

**FR:** Evolution Power Tools SAS. 61 Avenue Lafontaine, 33560, Carbon-Blanc, Bordeaux, France.

The manufacturer hereby declares that the machine as detailed in this declaration fulfils all the relevant provisions of the Machinery Directive and other appropriate directives as detailed below.

The manufacture further declares that the machine as detailed in this declaration, where applicable, fulfils the relevant provisions of the Essential Health and Safety requirements.

**The Directives covered by this Declaration are as detailed below:**

<b>2006/42/EC.</b>	Machinery Directive.
<b>2014/30/EU.</b>	Electromagnetic Compatibility Directive.
<b>2011/65/EU. &amp; 2015/863/EU.</b>	The Restriction of the Use of certain Hazardous Substances in Electrical Equipment (RoHS) Directive.
<b>2002/96/EC.</b>	as amended by 2003/108/EC The Waste Electrical and Electronic Equipment (WEEE) Directive.

**And is in conformity with the applicable requirements of the following documents**

**EN 60745-1/A11:2010 • EN 60745-2-22: 2011+A11: 2013 • EN 55014-1: 2017 • EN 55014-2: 2015 • EN IEC 61000-3-2:2019 • EN 61000-3-3:2013+A1:2019**

**Product Details**

Description: Evolution 230mm (9") **R230DCT** Electric Disc Cutter  
Evolution 255mm (10") **R255DCT** Electric Disc Cutter  
Evolution 300mm (12") **R300DCT** Electric Disc Cutter  
Evolution 300mm (12") **R300DCT+** Electric Disc Cutter

Brand Name: Evolution Build  
Voltage: 110V ~ 50Hz  
220-240V ~ 50Hz  
Input: 110V: 1600/2000W  
230-240V: 2400W / 2000W

The technical documentation required to demonstrate that the product meets the requirements of directive has been compiled and is available for inspection by the relevant enforcement authorities, and verifies that our technical file contains the documents listed above and that they are the correct standards for the product as detailed above.

**Name and address of technical documentation holder.**

Signed:  Print: Barry Bloomer  
CEO

Date: 19/05/20

**UK:** Evolution Power Tools Ltd. Venture One, Longacre Close, Holbrook Industrial Estate, Sheffield, S20 3FR.  
**FR:** Evolution Power Tools SAS. 61 Avenue Lafontaine, 33560, Carbon-Blanc, Bordeaux, France.



**Dieses Bedienungshandbuch wurde ursprünglich in englischer Sprache erstellt.**

## WICHTIG

Lesen Sie diese Betriebs- und Sicherheitsanweisungen bitte sorgfältig und vollständig durch. Sollten Sie sich hinsichtlich der Anwendung dieses Geräts unsicher fühlen, kontaktieren Sie zu Ihrer eigenen Sicherheit unsere technische Helpline, deren Nummer auf der Website von Evolution Power Tools zu finden ist. Wir betreiben mehrere Helplines in unserer weltweiten Organisation, technische Hilfe erhalten Sie aber auch von Ihrem Lieferanten.

## WEB

**[www.evolutionpowertools.com](http://www.evolutionpowertools.com)**

**Wir gratulieren Ihnen zum Kauf einer Evolution Power Tools-Maschine. Bitte folgen Sie den Anweisungen des beiliegenden A4-Merkblattes zur Online-Garantierregistrierung und registrieren Sie Ihr Produkt „online“. Sie können ebenfalls den auf dem A4-Merkblatt enthaltenen QR-Code mithilfe eines Smartphones scannen. Hierdurch aktivieren Sie die Garantiefrist Ihrer Maschine über die Evolution-Website. Geben Sie zu diesem Zweck einfach Ihre Kontaktdaten ein und sichern Sie sich einen schnellen Kundenservice, immer wenn Sie ihn benötigen. Wir danken Ihnen, dass Sie sich für ein Produkt von Evolution Power Tools entschieden haben.**

**BEGRENZTE GARANTIE VON EVOLUTION. Evolution Power Tools behält sich das Recht vor, ohne vorherige Mitteilung konstruktive Verbesserungen und Änderungen am Produkt vorzunehmen.**

**Die Garantiebedingungen finden Sie auf dem Merkblatt zur Garantierregistrierung und/oder der Verpackung.**

Evolution Power Tools repariert oder ersetzt innerhalb der Garantiefrist und ab ursprünglichem Kaufdatum alle Waren, bei denen Mängel im Material oder in der Ausführungsqualität auftreten. Diese Garantie ist nichtig, wenn die zurückgegebene Maschine entgegen der Empfehlungen des Bedienungshandbuchs verwendet wurde oder sie durch Unfall, Fahrlässigkeit oder unsachgemäße Wartung beschädigt worden ist. Diese Garantie gilt nicht für Maschinen und/oder Komponenten, die in irgendeiner Form geändert oder modifiziert oder außerhalb der empfohlenen Kapazitäten und Spezifikationen eingesetzt worden sind. Elektrische Komponenten werden durch die Garantien der jeweiligen Hersteller gedeckt. Alle retournierten defekten Waren sind frachtfrei an Evolution Power Tools zu senden. Evolution Power Tools behält sich das Recht vor, optional eine Reparatur oder eine Ersatzlieferung mit gleichen oder gleichwertigen Posten vorzunehmen. Es besteht keine Garantie – weder schriftlich noch mündlich – für Verschleißteile wie (jedoch nicht beschränkt auf) Klingen, Schneider, Bohrer, Meißel oder Schaufel usw. Evolution Power Tools haftet in keinem Fall für Verlust oder Schaden direkt oder indirekt zurückzuführen auf den Gebrauch von Ware von Evolution Power Tools oder auf jegliche anderweitige Ursachen. Evolution Power Tools haftet weder für jegliche Kosten, die für solche Waren entstehen, noch für Folgeschäden. Angestellte oder Vertreter von Evolution Power Tools sind nicht bevollmächtigt, mündliche Erklärungen zur Eignung abzugeben oder auf irgendeine der vorstehenden Geschäftsbedingungen zu verzichten; derartige Erklärungen haben keinerlei bindende Wirkung für Evolution Power Tools.

**Fragen zu dieser begrenzten Garantie sind an die Firmenzentrale zu richten oder über einen Anruf über die jeweilige Helpline-Nummer zu klären.**



## TECHNISCHE DATEN

TECHNISCHE DATEN	R230DCT		R255DCT		R300DCT		R300DCT+	
Produktcode UK/EU/AUS	009-0001, 009-0002, 009-0003, 009-0006,	009-0001X, 009-0002X, 009-0003X, 009-0006X	010-0001, 010-0002, 010-0003, 010-0006,	010-0001X, 010-0002X, 010-0003X, 010-0006X	012-0001, 012-0002, 012-0003, 012-0006,	012-0001X, 012-0002X, 012-0003X, 012-0006X	012-0001A, 012-0002A, 012-0003A, 012-0006A,	012-0001AX, 012-0002AX, 012-0003AX, 012-0006AX
Produktcode USA	009-0004	009-0004X	010-0004	010-0004X	012-0004	012-0004X	012-0004A	012-0004AX
Motor EU/UK/AUS (220-240V ~ 50Hz)	2000W		2000W		2400W		2400W	
Motor EU/UK (110V ~ 50Hz)	1600W		1600W		1600W		2000W	
Motor USA (120V ~ 60Hz)	15A		15A		15A		15A	
U/min Leerlauf (min <sup>-1</sup> )	6000		6000		110V - 4400 120V - 4600 220-240V - 5090		110V - 4400 120V - 4600 220-240V - 5090	
Empfohlener maximaler Arbeitszyklus	20 Minuten							
Gewicht	7.1kg		7.3kg		9.7kg		9.7kg	
Kabellänge	3m (10ft)		4m (13ft)		3m (10ft) AUS 4m (13ft)		4m (13ft)	
Schneidleistung bei 90 °	90mm (3-1/12 Zoll)		102.5mm (4-1/16 Zoll)		115mm (4-1/2 Zoll)		115mm (4-1/2 Zoll)	
BLATT								
Blatt im Lieferumfang	Allzweck Diamant	Keine Klinge enthalten	Allzweck Diamant	Keine Klinge enthalten	Allzweck Diamant	Keine Klinge enthalten	Premium Diamant	Keine Klinge enthalten
Durchmesser	230mm (9 Zoll)		255mm (10 Zoll)		300mm (12 Zoll)		300mm (12 Zoll)	
Bohrung GB und EU	22.2mm		22.2mm		22.2 / 20mm		22.2 / 20mm	
Bohrung USA	7/8 Zoll		7/8 Zoll		1 Zoll		1 Zoll	
LÄRM- & VIBRATIONSBEZOGENE DATEN								
Schalldruck Max. L <sub>pA</sub>	98.0dB(A) K=3dB(A)							
Schallleistungspegel Max. L <sub>WA</sub>	109.0dB(A) K=3dB(A)							
Vibration des griffs	6.15m/s <sup>2</sup> K=1.5m/s <sup>2</sup>							

**Hinweis:** Die Ermittlung des Vibrationspegels geschah unter Standardbedingungen in Übereinstimmung mit: BS EN 60745-1:2009+A11: 2010

Der angegebene Vibrationswert wurde im Einklang mit einer Standard-Prüfmethode gemessen und kann verwendet werden, um verschiedene Maschinen miteinander zu vergleichen.

Ebenso kann er für eine erste Gefahrenbewertung herangezogen werden.

## VIBRATION

**WARNUNG:** Beim Betrieb der Maschine ist der Bediener u. U. starken Vibrationen (an Hand und Arm) ausgesetzt.

Möglicherweise tritt dadurch beim Bediener die „Weißfingerkrankheit“ (Raynaud-Syndrom) auf. Dies kann die Temperaturempfindlichkeit der Hand beeinträchtigen und ein allgemeines Taubheitsgefühl erzeugen. Personen, die längere Zeit oder regelmäßig mit Magnetbohrmaschinen arbeiten, sollten den Zustand ihrer Hände und Finger aufmerksam beobachten.

Falls die vorgenannten Symptome auftreten, sollte unverzüglich ärztlicher Rat eingeholt werden.

- Die Messung und Bewertung der Auswirkungen von Schwingungen auf das Hand-Arm-System am Arbeitsplatz wird in folgenden Normen beschrieben:  
**BS EN ISO 5349-1:2001 und  
BS EN ISO 5349-2:2002**
- Die Stärke der Vibration während des Betriebs wird von einer Vielzahl von Faktoren beeinflusst wie z. B. Beschaffenheit und Ausrichtung der Arbeitsoberfläche und Typ und Zustand der verwendeten Maschine. Derartige Faktoren sollten vor jeder Verwendung bewertet werden, um möglich, geeignete Arbeitspraktiken festzulegen. Folgende Einstellungen können Vibrationen vermindern:

#### Gebrauch

- Bedienen Sie die Maschine mit Sorgfalt, lassen Sie sie die Arbeit für Sie verrichten.
- Wenden Sie nicht unnötig viel Kraft auf die Bedienelemente der Maschine an.
- Berücksichtigen Sie Ihre eigene Sicherheit und Stabilität sowie die Ausrichtung der Maschine während des Betriebs.

#### Arbeitsoberfläche

- Berücksichtigen Sie das Material Ihrer Arbeitsoberfläche, wie Zustand, Dicke, Robustheit, Härte und Ausrichtung.

**WARNUNG:** Die Vibrationen, die bei der Verwendung des Elektrowerkzeugs auftreten, können je nach Art und Weise der Nutzung der Maschine vom angegebenen Wert abweichen. Das Ausmaß an Sicherheitsmaßnahmen und Maßnahmen zum Schutz des Bedieners basiert auf dem geschätzten Ausmaß an Beanspruchung (unter Berücksichtigung aller Abschnitte des Betriebszyklus, wie z. B. Ausschalten der Maschine, Leerlauf sowie Auslösezeit).

#### KENNZEICHNUNGEN UND SYMBOLE

**WARNUNG:** Verwenden Sie die Maschine nicht, wenn Warnhinweise und/oder Hinweisschilder fehlen oder beschädigt sind. Für Ersatz wenden Sie sich an Evolution Power Tools.

**Hinweis:** Manche oder alle der folgenden Symbole können in der Originalbetriebsanleitung oder auf dem Produkt abgebildet sein.

SYMBOL	BESCHREIBUNG
V	Volt
A	Ampere
Hz	Hertz
Min <sup>-1</sup>	Drehzahl
~	Wechselstrom
n	Nenngeschwindigkeit
	Warnung!
	Anleitung lesen
	Nur Trockenschchnitt <i>* Gilt nur für Modelle R230DCT, R255DCT und R300DCT. Ausgeschlossen ist R300DCT+.</i>
	Schutzbille tragen
	Gehörschutz tragen
	Staubschutz tragen
	Kopfschutz tragen
	Schutzhandschuhe tragen
	Sicherheitstiefel tragen
	Hände weg. Ergreifen Sie den Frontgriff nicht auf oder unterhalb der mit diesem Symbol markierten Linie. Stellen Sie sicher, dass sich Ihre Hand stets oberhalb der Linie beziehungsweise des Symbols befindet, um den notwendigen Sicherheitsabstand zwischen Ihrer Hand und der Klinge zu gewährleisten. Tun Sie dies nicht, kann es zu Verletzungen kommen. <i>Gilt für R230DCT und R255DCT</i>
	US-Zertifizierung
	CE-Zertifizierung
	(RCM) Regulatory Compliance Mark für elektrische und elektronische Geräte. Australische/neuseeländische Norm
	GS-Zertifizierung
	Entsorgung als Elektro- & Elektronikschrott
	Verwenden Sie nur Diamantklingen und keine gezahnten Klingen
	Verwenden Sie keine defekten oder gebrochenen Klingen
	Hohes Rückschlag-Risiko
	Gefahr des Einatmens von Staub
	Brandgefahr. Stellen Sie sicher, dass die Umgebung frei von brennbaren Materialien ist

### **BESTIMMUNGSGEMÄSSER GEBRAUCH DES ELEKTROWERKZEUGS**

Dieses Gerät wurde für den Einsatz mit Evolution-Sägeblättern entwickelt. Verwenden Sie nur Zubehör, das für die Verwendung mit diesem Gerät vorgesehen ist und/oder das speziell von Evolution Power Tools Ltd. empfohlen wird.

### **Mit geeignetem Sägeblatt kann diese Maschine zum Schneiden der folgenden Materialien verwendet werden:**

Ziegel  
Pflastersteine  
Bordsteinkanten  
Beton und verwandte Baumaterialien  
Stahl  
Nichteisenmetalle  
Naturstein

### **VERBOTENE NUTZUNG DIESES ELEKTROWERKZEUGS**

**WARNUNG:** Dieses Produkt ist eine von Hand betriebene Betonsäge und darf nur bestimmungsgemäß verwendet werden. Es dürfen keinerlei Modifikationen vorgenommen werden. Weiterhin darf die Maschine nicht mit anderer Ausrüstung oder anderem Zubehör als dem in dieser Betriebsanleitung erwähntem in Betrieb genommen werden.

**WARNUNG:** Diese Maschine darf nicht zum Schneiden von potenziell asbesthaltigem Material verwendet werden. Sollte der Verdacht bestehen, dass sich im Material Asbest befindet, holen Sie sich Rat von der zuständigen Behörde ein.

**WARNUNG:** Diese Maschine ist nicht bestimmt für die Benutzung durch Personen (einschließlich Kindern) mit eingeschränkten körperlichen, sensorischen oder geistigen Fähigkeiten. Potenzielle Bediener, denen es an Erfahrung im Umgang mit diesem Gerät mangelt, sollten von einer kompetenten Person geschult und beaufsichtigt werden, die mit den für den sicheren Umgang mit diesem Gerät erforderlichen Arbeitspraktiken voll vertraut ist. Kinder müssen beaufsichtigt werden, um sicherzustellen, dass sie keinen Zugang zu der Maschine haben und nicht mit ihr spielen.

### **RESTRISIKEN**

Auch bei sachgemäßer Verwendung des Gerätes bleibt immer ein gewisses Restrisiko, das nicht ausgeschlossen werden kann. Aus der Art und Konstruktion des Gerätes können die folgenden potentiellen Gefährdungen abgeleitet werden:

- Kontakt mit der ungeschützten Scheibe (Schnittverletzung)
- Hineingreifen in die noch drehende Scheibe (Schnittverletzung)
- Wegschleudern von Teilen der Scheibe (Schnitt- oder stumpfe Verletzung)

- Wegschleudern von Teilen des zu bearbeitenden Materials (Schnitt- oder stumpfe Verletzung)
- Feuergefahr durch Funkenflug
- Schädigung des Gehöres, wenn kein vorgeschriebener Gehörschutz getragen wird (Gehörverlust)
- Einatmen von Fliesen partikeln von Material
- elektrischer Schlag bei Berühren von nicht isolierten elektrischen Bauteilen.

Werden die in Ihrer Gebrauchsanweisung enthaltenen Anweisungen nicht beachtet, können aufgrund unsachgemäßer Benutzung andere Restrisiken auftreten.

### **ELEKTRISCHE SICHERHEIT**

Diese Maschine ist ausgestattet mit dem auf dem Zielmarkt jeweils verwendeten Stecker und Anschlusskabel. Wenn die Netzanschlussleitung dieses Gerätes beschädigt wird, muss sie durch eine besondere Anschlussleitung ersetzt werden, die vom Hersteller oder seinem Kundendienst erhältlich ist. Falls der Stecker beschädigt ist, darf er nur durch Original-Ersatzteile von Evolution ersetzt und von einem erfahrenen Techniker montiert werden.

### **(2.1) ALLGEMEINE SICHERHEITSHINWEISE FÜR ELEKTROWERKZEUGE**

(Diese allgemeinen Sicherheitsanweisungen für Elektrowerkzeuge entsprechen der Norm EN 60745-1: 2009+A11: 2010)

**WARNUNG: Lesen Sie alle Sicherheitshinweise und Anweisungen.** Versäumnisse bei der Einhaltung der Sicherheitshinweise und Anweisungen können elektrischen Schlag, Brand und/oder schwere Verletzungen verursachen.

**Bewahren Sie alle Sicherheitshinweise und Anweisungen für die Zukunft auf.** Der in den Sicherheitshinweisen verwendete Begriff „Elektrowerkzeug“ bezieht sich auf netzbetriebene Elektrowerkzeuge (mit Netzkabel) und auf akkubetriebene Elektrowerkzeuge (ohne Netzkabel).

#### **1) Arbeitsplatzsicherheit**

**a) Halten Sie Ihren Arbeitsbereich sauber und gut beleuchtet.** Unordnung oder unbeleuchtete Arbeitsbereiche können zu Unfällen führen.

**b) Arbeiten Sie mit dem Elektrowerkzeug nicht in explosionsgefährdeter Umgebung, in der sich brennbare Flüssigkeiten, Gase oder Stäube befinden.** Elektrowerkzeuge erzeugen Funken, die den Staub oder die Dämpfe entzünden können.

**c) Halten Sie Kinder und andere Personen während der Benutzung des**

**Elektrowerkzeuge fern.** Bei Ablenkung können Sie die Kontrolle über das Gerät verlieren.

## 2) Elektrische Sicherheit

**a) Der Anschlussstecker des Elektrowerkzeuges muss in die Steckdose passen.** Der Stecker darf in keiner Weise verändert werden. Verwenden Sie keine Adapterstecker gemeinsam mit schutzgeerdeten Elektrowerkzeugen. Unveränderte Stecker und passende Steckdosen verringern das Risiko eines elektrischen Schlages.

**b) Vermeiden Sie Körperkontakt mit geerdeten Oberflächen wie von Rohren, Heizungen, Herden und Kühlschränken.** Es besteht ein erhöhtes Risiko durch elektrischen Schlag, wenn Ihr Körper geerdet ist.

**c) Halten Sie Elektrowerkzeuge von Regen oder Nässe fern.** Das Eindringen von Wasser in ein Elektrowerkzeug erhöht das Risiko eines elektrischen Schlages.

**d) Zweckentfremden Sie das Kabel nicht, um das Elektrowerkzeug zu tragen, aufzuhängen oder um den Stecker aus der Steckdose zu ziehen.** Halten Sie das Kabel fern von Hitze, Öl, scharfen Kanten oder sich bewegenden Geräteteilen. Beschädigte oder verwickelte Kabel erhöhen das Risiko eines elektrischen Schlages.

**e) Wenn Sie mit einem Elektrowerkzeug im Freien arbeiten, verwenden Sie nur Verlängerungskabel, die auch für den Außenbereich geeignet sind.** Die Anwendung eines für den Außenbereich geeigneten Verlängerungskabels verringert das Risiko eines elektrischen Schlages.

**f) Wenn der Betrieb des Elektrowerkzeuges in feuchter Umgebung nicht vermeidbar ist, verwenden Sie einen Fehlerstromschutzschalter.** Der Einsatz eines Fehlerstromschutzschalters vermindert das Risiko eines elektrischen Schlages.

## 3) Sicherheit von Personen

**a) Seien Sie aufmerksam, achten Sie darauf, was Sie tun, und gehen Sie mit Vernunft an die Arbeit mit einem Elektrowerkzeug.** Benutzen Sie kein Elektrowerkzeug, wenn Sie müde sind oder unter dem Einfluss von Drogen, Alkohol oder Medikamenten stehen. Ein Moment der Unachtsamkeit beim Gebrauch des Elektrowerkzeuges kann zu ernsthaften Verletzungen führen.

**b) Tragen Sie persönliche Schutzausrüstung und immer eine Schutzbrille.** Das Tragen persönlicher Schutzausrüstung, wie Staubmaske, rutschfeste Sicherheitsschuhe, Schutzhelm oder Gehörschutz, je nach Art und Einsatz des Elektrowerkzeuges, verringert das Risiko von Verletzungen.

**c) Vermeiden Sie eine unbeabsichtigte Inbetriebnahme.** Vergewissern Sie sich, dass das Elektrowerkzeug ausgeschaltet ist, bevor Sie es an die Stromversorgung und/oder den

Akku anschließen, es aufnehmen oder tragen. Wenn Sie beim Tragen des Elektrowerkzeuges den Finger am Schalter haben oder das Gerät eingeschaltet an die Stromversorgung anschließen, kann dies zu Unfällen führen.

**d) Entfernen Sie Einstellwerkzeuge oder Schraubenschlüssel, bevor Sie das Elektrowerkzeug einschalten.** Ein Werkzeug oder Schlüssel, der sich in einem drehenden Geräteteil befindet, kann zu Verletzungen führen.

**e) Vermeiden Sie eine abnormale Körperhaltung.** Sorgen Sie für einen sicheren Stand und halten Sie jederzeit das Gleichgewicht. Dadurch können Sie das Elektrowerkzeug in unerwarteten Situationen besser kontrollieren.

**f) Tragen Sie geeignete Kleidung.** Tragen Sie keine weite Kleidung oder Schmuck. Halten Sie Haare, Kleidung und Handschuhe fern von sich bewegenden Teilen. Lockere Kleidung, Schmuck oder lange Haare können von sich bewegenden Teilen erfasst werden.

**g) Wenn Staubabsaug- und -auffangeinrichtungen montiert werden können, vergewissern Sie sich, dass diese angeschlossen sind und richtig verwendet werden.** Verwendung einer Staubabsaugung kann Gefährdungen durch Staub verringern.

## 4) Verwendung und Behandlung des Elektrowerkzeuges

**a) Überlasten Sie das Gerät nicht.** Verwenden Sie für Ihre Arbeit das dafür bestimmte Elektrowerkzeug. Mit dem passenden Elektrowerkzeug arbeiten Sie besser und sicherer im angegebenen Leistungsbereich.

**b) Benutzen Sie kein Elektrowerkzeug, dessen Schalter defekt ist.** Ein Elektrowerkzeug, das sich nicht mehr ein- oder ausschalten lässt, ist gefährlich und muss repariert werden.

**c) Ziehen Sie den Stecker aus der Steckdose und/oder entfernen Sie den Akku, bevor Sie Geräteeinstellungen vornehmen, Zubehörteile wechseln oder das Gerät weglegen.** Diese Vorsichtsmaßnahme verhindert den unbeabsichtigten Start des Elektrowerkzeuges.

**d) Bewahren Sie unbenutzte Elektrowerkzeuge außerhalb der Reichweite von Kindern auf.** Lassen Sie Personen das Gerät nicht benutzen, die mit diesem nicht vertraut sind oder diese Anweisungen nicht gelesen haben. Elektrowerkzeuge sind gefährlich, wenn Sie von unerfahrenen Personen benutzt werden.

**e) Pflegen Sie Elektrowerkzeuge mit Sorgfalt.** Kontrollieren Sie, ob bewegliche Teile einwandfrei funktionieren und nicht klemmen, ob Teile gebrochen oder so beschädigt sind, dass die Funktion des Elektrowerkzeuges beeinträchtigt ist. Lassen Sie beschädigte Teile vor dem Einsatz des Gerätes reparieren. Viele Unfälle haben ihre Ursache in schlecht gewarteten Elektrowerkzeugen.

**f) Halten Sie Schneidwerkzeuge scharf und sauber.** Sorgfältig gepflegte Schneidwerkzeuge mit scharfen Schneidkanten verkleben sich weniger und sind leichter zu führen.

**g) Verwenden Sie Elektrowerkzeug, Zubehör, Einsatzwerkzeuge usw. entsprechend diesen Anweisungen.**

Berücksichtigen Sie dabei die Arbeitsbedingungen und die auszuführende Tätigkeit. Der Gebrauch von Elektrowerkzeugen für andere als die vorgesehenen Anwendungen kann zu gefährlichen Situationen führen.

### 5) Service

**a) Lassen Sie Ihr Elektrowerkzeug nur von qualifiziertem Fachpersonal und nur mit Original-Ersatzteilen reparieren.** Damit wird sichergestellt, dass die Sicherheit des Elektrowerkzeugs erhalten bleibt.

### (2.6) 5) Allgemeine Sicherheitswarnungen für Elektrowerkzeuge [Wartung]

**a) Lassen Sie Ihr Elektrowerkzeug von qualifiziertem Fachpersonal und nur mit identischen Ersatzteilen reparieren. Dadurch wird die fortwährende Sicherheit des Elektrowerkzeugs gewährleistet.**

### Sicherheitshinweise für Trennschleifmaschinen

**a) Die zum Elektrowerkzeug gehörende Schutzhaube muss sicher angebracht und so eingestellt sein, dass ein Höchstmaß an Sicherheit erreicht wird, d. h. der kleinstmögliche Teil des Schleifkörpers zeigt offen zur Bedienperson.** Halten Sie und in der Nähe befindliche Personen sich außerhalb der Ebene der rotierenden Schleifscheibe auf. Die Schutzhaube soll die Bedienperson vor Bruchstücken und zufälligem Kontakt mit dem Schleifkörper schützen.

**b) Verwenden Sie ausschließlich gebundene verstärkte oder diamantbesetzte Trennscheiben für Ihr Elektrowerkzeug.** Nur weil Sie das Zubehör an Ihrem Elektrowerkzeug befestigen können, garantiert das keine sichere Verwendung.

**c) Die zulässige Drehzahl des Einsatzwerkzeugs muss mindestens so hoch sein wie die auf dem Elektrowerkzeug angegebene Höchstzahl.** Zubehör, das sich schneller als zulässig dreht, kann zerbrechen und umherfliegen.

**d) Schleifkörper dürfen nur für die empfohlenen Einsatzmöglichkeiten verwendet werden.** Zum Beispiel: Schleifen Sie nie mit der Seitenfläche einer Trennscheibe. Trennscheiben sind zum Materialabtrag mit der Kante der Scheibe bestimmt. Seitliche Kräfteinwirkung auf diese Schleifkörper kann sie zerbrechen.

**e) Verwenden Sie immer unbeschädigte Spannflansche in der richtigen Größe**

**und Form für die von Ihnen gewählte Schleifscheibe.** Geeignete Flansche stützen die Schleifscheibe und verringern so die Gefahr eines Schleifscheibenbruchs.

**f) Verwenden Sie keine abgenutzten Schleifscheiben von größeren Elektrowerkzeugen.**

Schleifscheiben für größere Elektrowerkzeuge sind nicht für die höheren Drehzahlen von kleineren Elektrowerkzeugen ausgelegt und können brechen.

**g) Außendurchmesser und Dicke des Einsatzwerkzeugs müssen den Maßangaben Ihres Elektrowerkzeugs entsprechen.**

Falsch bemessene Einsatzwerkzeuge können nicht ausreichend abgeschirmt oder kontrolliert werden.

**h) Schleifscheiben und Flansche müssen genau auf die Schleifspindel Ihres Elektrowerkzeugs passen.** Einsatzwerkzeuge, die nicht genau auf die Schleifspindel des Elektrowerkzeugs passen, drehen sich ungleichmäßig, vibrieren sehr stark und können zum Verlust der Kontrolle führen.

**i) Verwenden Sie keine beschädigten Schleifscheiben.**

Kontrollieren Sie vor jeder Verwendung die Schleifscheiben auf Absplitterungen und Risse. Wenn das Elektrowerkzeug oder die Schleifscheibe herunterfällt, überprüfen Sie, ob es/sie beschädigt ist, oder verwenden Sie eine unbeschädigte Schleifscheibe. Wenn Sie die Schleifscheibe kontrolliert und eingesetzt haben, halten Sie und in der Nähe befindliche Personen sich außerhalb der Ebene der rotierenden Schleifscheibe auf und lassen Sie das Gerät eine Minute lang mit Höchstzahl laufen. Beschädigte Schleifscheiben brechen meist in dieser Testzeit.

**j) Tragen Sie persönliche Schutzausrüstung.**

**Verwenden Sie je nach Anwendung**

**Vollgesichts-schutz, Augenschutz oder**

**Schutzbrille.** Soweit angemessen, tragen Sie

Staubmaske, Gehör-schutz, Schutzhandschuhe

oder Spezialschürze, die kleine Schleif- und

Materialpartikel von Ihnen fernhält. Die Augen

sollen vor herumfliegenden Fremdkörpern

geschützt werden, die bei verschiedenen

Anwendungen entstehen. Staub- oder

Atemschutzmaske müssen den bei der

Anwendung entstehenden Staub filtern. Wenn

Sie lange lautem Lärm ausgesetzt sind, können

Sie einen Hörverlust erleiden.

**k) Achten Sie bei anderen Personen auf**

**sicheren Abstand zu Ihrem Arbeitsbereich.**

**Jeder, der den Arbeitsbereich betritt, muss**

**persönliche Schutzausrüstung tragen.**

Bruchstücke des Werkstücks oder gebrochener

Einsatzwerkzeuge können wegfiegen und

Verletzungen auch außerhalb des direkten

Arbeitsbereichs verursachen.

**l) Halten Sie das Gerät nur an den**

**isolierten Griffflächen, wenn Sie Arbeiten**

**ausführen, bei denen das Einsatzwerkzeug**

**verborgene Stromleitungen oder das eigene**

**Netzkabel treffen kann.** Der Kontakt mit

einer spannungsführenden Leitung kann auch metallene Geräteteile unter Spannung setzen und zu einem elektrischen Schlag führen.

**m) Halten Sie das Netzkabel von sich drehenden Einsatzwerkzeugen fern.** Wenn Sie die Kontrolle über das Gerät verlieren, kann das Netzkabel durchtrennt oder erfasst werden und Ihre Hand oder Ihr Arm in das sich drehende Einsatzwerkzeug geraten.

**n) Legen Sie das Elektrowerkzeug niemals ab, bevor das Einsatzwerkzeug völlig zum Stillstand gekommen ist.** Das sich drehende Einsatzwerkzeug kann in Kontakt mit der Ablagefläche geraten, wodurch Sie die Kontrolle über das Elektrowerkzeug verlieren können.

**o) Lassen Sie das Elektrowerkzeug nicht laufen, während Sie es tragen.** Ihre Kleidung kann durch zufälligen Kontakt mit dem sich drehenden Einsatzwerkzeug erfasst werden, und das Einsatzwerkzeug sich in Ihren Körper bohren.

**p) Reinigen Sie regelmäßig die Lüftungsschlitze Ihres Elektrowerkzeugs.** Das Motorgebläse zieht Staub in das Gehäuse, und eine starke Ansammlung von Metallstaub kann elektrische Gefahren verursachen.

**q) Verwenden Sie das Elektrowerkzeug nicht in der Nähe brennbarer Materialien.** Funken können diese Materialien entzünden.

**r) Verwenden Sie keine Einsatzwerkzeuge, die flüssige Kühlmittel erfordern.** Die Verwendung von Wasser oder anderen flüssigen Kühlmitteln kann zu einem elektrischen Schlag führen.

### **Rückschlag und entsprechende Sicherheitshinweise**

Rückschlag ist die plötzliche Reaktion infolge einer hakenden oder blockierten drehenden Schleifscheibe. Verhaken oder Blockieren führt zu einem abrupten Stopp des rotierenden Einsatzwerkzeugs. Dadurch wird ein unkontrolliertes Elektrowerkzeug gegen die Drehrichtung des Einsatzwerkzeugs an der Blockierstelle beschleunigt.

Wenn z. B. eine Schleifscheibe im Werkstück hakt oder blockiert, kann sich die Kante der Schleifscheibe, die in das Werkstück eintaucht, verfangen und dadurch die Schleifscheibe ausbrechen oder einen Rückschlag verursachen. Die Schleifscheibe bewegt sich dann auf die Bedienperson zu oder von ihr weg, je nach Drehrichtung der Scheibe an der Blockierstelle. Hierbei können Schleifscheiben auch brechen.

Ein Rückschlag ist die Folge eines falschen oder fehlerhaften Gebrauchs des Elektrowerkzeugs. Er kann durch geeignete Vorsichtsmaßnahmen, wie nachfolgend beschrieben, verhindert werden.

**a) Halten Sie das Elektrowerkzeug gut fest und bringen Sie Ihren Körper und Ihre Arme in eine Position, in der Sie die Rückschlagkräfte abfangen können.**

Verwenden Sie immer den Zusatzgriff, falls

vorhanden, um die größtmögliche Kontrolle über Rückschlagkräfte oder Reaktionsmomente beim Hochlauf zu haben. Die Bedienperson kann durch geeignete Vorsichtsmaßnahmen die Rückschlag- und Reaktionskräfte beherrschen.

**b) Bringen Sie Ihre Hand nie in die Nähe sich drehender Einsatzwerkzeuge.** Das Einsatzwerkzeug kann sich beim Rückschlag über Ihre Hand bewegen.

**c) Meiden Sie den Bereich vor und hinter der rotierenden Trennscheibe.** Der Rückschlag treibt das Elektrowerkzeug in die Richtung entgegengesetzt zur Bewegung der Schleifscheibe an der Blockierstelle.

**d) Arbeiten Sie besonders vorsichtig im Bereich von Ecken, scharfen Kanten usw.** Verhindern Sie, dass Einsatzwerkzeuge vom Werkstück zurückprallen und verklebmen. Das rotierende Einsatzwerkzeug neigt bei Ecken, scharfen Kanten oder wenn es abprallt dazu, sich zu verklebmen. Dies verursacht einen Kontrollverlust oder Rückschlag.

**e) Verwenden Sie kein Ketten- oder gezähntes Sägeblatt sowie keine segmentierte Diamantscheibe mit mehr als 10 mm breiten Schlitzen.** Solche Einsatzwerkzeuge verursachen häufig einen Rückschlag oder den Verlust der Kontrolle über das Elektrowerkzeug.

**f) Vermeiden Sie ein Blockieren der Trennscheibe oder zu hohen Anpressdruck.** Führen Sie keine übermäßig tiefen Schnitte aus. Eine Überlastung der Trennscheibe erhöht deren Beanspruchung und die Anfälligkeit zum Verkanten oder Blockieren und damit die Möglichkeit eines Rückschlags oder Schleifkörperbruchs.

**g) Falls die Trennscheibe verklemt oder Sie die Arbeit unterbrechen, schalten Sie das Gerät aus und halten Sie es ruhig, bis die Scheibe zum Stillstand gekommen ist.**

Versuchen Sie nie, die noch laufende Trennscheibe aus dem Schnitt zu ziehen, sonst kann ein Rückschlag erfolgen. Ermitteln und beheben Sie die Ursache für das Verklebmen.

**h) Schalten Sie das Elektrowerkzeug nicht wieder ein, solange es sich im Werkstück befindet.** Lassen Sie die Trennscheibe erst ihre volle Drehzahl erreichen, bevor Sie den Schnitt vorsichtig fortsetzen. Anderenfalls kann die Scheibe verhaken, aus dem Werkstück springen oder einen Rückschlag verursachen.

**i) Stützen Sie Platten oder große Werkstücke ab, um das Risiko eines Rückschlags durch eine eingeklemmte Trennscheibe zu vermindern.** Große Werkstücke können sich unter ihrem eigenen Gewicht durchbiegen. Das Werkstück muss auf beiden Seiten der Scheibe abgestützt werden, und zwar sowohl in der Nähe des Trennschnitts als auch an der Kante.

**j) Seien Sie besonders vorsichtig bei „Taschenschnitten“ in bestehende Wände oder andere nicht einsehbare Bereiche.**

Die eintauchende Trennscheibe kann beim

Schneiden in Gas- oder Wasserleitungen, elektrische Leitungen oder andere Objekte einen Rückschlag verursachen.

### (2.7) GESUNDHEITSHINWEISE

**WARNUNG:** Bei Arbeiten mit dieser Maschine können Staubpartikel entstehen. Abhängig von den Materialien, mit denen Sie arbeiten, kann dieser Staub in einigen Fällen besonders schädlich sein. Wenn Sie den Verdacht haben, dass die Farbe auf der Oberfläche des zu schneidenden Materials Blei enthält, wenden Sie sich an einen Fachmann. Auf Blei basierte Farben sind von professionellen Fachkräften zu entfernen. Von Selbstversuchen ist abzuraten. Hat sich der Staub auf Oberflächen abgesetzt, kann Hand-Mund-Kontakt zur Aufnahme von Blei führen. Schon geringe Mengen an Blei können unwiderrufliche Schäden an Hirn und Nervensystem verursachen. Kinder und Jugendliche sowie ungeborene Kinder sind besonders gefährdet.

Es wird empfohlen, die mit den Materialien, mit denen Sie arbeiten, verbundenen Risiken zu berücksichtigen und das Expositionsrisiko zu verringern. Da einige Materialien gesundheitsschädlichen Staub erzeugen können, empfehlen wir die Verwendung einer zugelassenen Gesichtsmaske mit austauschbaren Filtern, wenn Sie dieses Gerät verwenden.

#### Sie sollten stets:

- in gut gelüfteten Bereichen arbeiten.
- geprüfte Schutzausrüstung tragen, z. B. Staubmasken für die Filterung mikroskopisch kleiner Partikel.

**(2.8) WARNUNG:** Bei der Arbeit mit Elektrowerkzeugen können Objekte in Richtung Ihrer Augen geschleudert werden. Dies kann zu schweren Verletzungen der Augen führen. Tragen Sie vor Inbetriebnahme des Elektrowerkzeugs immer eine Sicherheitsbrille oder eine Schutzbrille mit seitlichem Schutz oder wenn notwendig einen Gesichtsschutz.

### ZUSÄTZLICHE SICHERHEITSHINWEISE

**WARNUNG:** Trennen Sie die Betonsäge immer vom Stromnetz, bevor Sie sie reinigen, warten oder die Scheiben wechseln.

- **Halten Sie Ihre Hände vom Schneidbereich und der Scheibe fern.** Wenn Sie die Griffe der Maschine mit beiden Händen festhalten, können sie nicht mit dem Diamantsägeblatt in Kontakt kommen.
- **Betätigen Sie den Spindelsperrenknopf keinesfalls, wenn die Maschine läuft.** Dies könnte zu schweren Schäden an der Maschine und zu einer potenziell gefährlichen Situation für den Verwender führen.
- **Verwenden Sie nur Diamanttrennscheiben oder andere zugelassene Trennscheiben, die den Angaben des Herstellers**

**entsprechen.**

- **Kontrollieren Sie die Trennscheibe visuell, bevor Sie das Gerät einschalten.** Sind Risse erkennbar oder ist die Scheibe gebrochen oder verbogen, darf sie nicht verwendet werden. Schalten Sie die Maschine vorsichtig ein und achten Sie auf ungewöhnliche Geräusche, Vibrationen und andere Vorkommnisse.
- **Gehen Sie beim Schneiden von Metall vorsichtig vor.** Die Verwendung einer Diamanttrennscheibe zum Schneiden von Metall (in Beton eingebettete Bewehrungsstäbe) verkürzt deren Lebensdauer. Verwenden Sie nach Möglichkeit ein spezielles Metallschneideblatt.
- **Warten Sie vor Beginn eines Schneidvorgangs, bis die Scheibe ihre Betriebsgeschwindigkeit erreicht hat.** Beginnen Sie mit Ihren Arbeiten erst, wenn die Höchstgeschwindigkeit erreicht ist.
- **Üben Sie nicht zu viel Druck aus.** Bei einem zu hohen Druck wird der Elektromotor überlastet und die Arbeitseffizienz und die Produktlebensdauer verringern sich.
- **Schneiden Sie Beton, Fliesen oder Stein nur mit einer maximalen Schnitttiefe bis 50 mm.** Ist eine Schnitttiefe von mehr als 50 mm erforderlich, schneiden Sie das Werkstück in zwei oder drei Schritten. Wenn versucht wird in einem Durchgang eine Schnitttiefe von mehr als 50 mm auszuführen, kann die Lebensdauer der Scheibe reduziert werden und es kann zu Motorschäden kommen.
- **Installieren Sie den Entstaubungsanschluss, wenn Sie keinen Staubsammelschlauch verwenden.** Während des Schneidvorgangs können Funken erzeugt werden. Decken Sie den Entstaubungsanschluss bei Schneidarbeiten mit der zugehörigen Gummikappe ab und tragen Sie eine Schutzbrille.
- **Verwenden Sie keinesfalls beschädigte Schrauben oder Scheibenflansche oder solche mit einem falschen Dornmaß.** Die Scheibenflansche und Dornschauben sind im Hinblick auf optimale Leistung und Betriebssicherheit speziell auf Ihr Gerät abgestimmt.
- **Dieses Gerät ist mit dem richtigen Stecker und Netzkabel für das vorgesehene Verwendungsland ausgestattet.** An Netzkabel oder Stecker dürfen keinerlei Änderungen vorgenommen werden. Wird das Anschlusskabel oder der Stecker beschädigt, muss es/er von einem sachkundigen Techniker durch Originalersatzteile ausgetauscht werden.
- **Verwenden Sie beim Schneiden von Beton nach Möglichkeit immer eine Methode zur Staubkontrolle, entweder Staubabsaugung oder gegebenenfalls Wasserzugabe.** Stellen Sie bei der Verwendung von Staubabsaugern

mit Evolution-Scheibenschneidern sicher, dass diese beim Schneiden von Beton als Klasse M oder Klasse H eingestuft sind.

**WARNUNG:** Diese Maschine darf nicht zum Schneiden von potenziell asbesthaltigem Material verwendet werden. Sollte der Verdacht bestehen, dass sich im Material Asbest befindet, holen Sie sich Rat von der zuständigen Behörde ein.

**PSA (persönliche Schutzausrüstung)**

**Hinweis:** Wird dieses Gerät auf einer Baustelle verwendet, muss der Verwender alle geltenden Baustellenrichtlinien/-verordnungen einhalten. Wenden Sie sich bei Fragen an den örtlichen Bauleiter oder andere verantwortliche Mitarbeiter.

- **Tragen Sie geeignete Kleidung.** Hierbei kann es sich um einen Arbeitsoverall, einen gepolsterten Overall, um Signalkleidung und Ähnliches handeln.
- **Tragen Sie geeignetes Schuhwerk.** Es werden Sicherheitsschuhe mit Stahlkappen und rutschfesten Sohlen empfohlen.
- **Tragen Sie einen geeigneten Augenschutz.** Es wird ein voller Gesichtsschutz oder eine Schutzbrille mit Seitenschutz empfohlen.
- **Schützen Sie Ihr Gehör.** Tragen Sie einen geeigneten Gehörschutz.
- **Tragen Sie geeignete Handschuhe.** Es wird griffiges Handschuhmaterial empfohlen.
- **Tragen Sie einen Atemschutz.** Es wird eine Staubmaske mit austauschbaren Filtern empfohlen, die vor feinem, giftigem Staub, Fasern und Dämpfen schützt.
- **Tragen Sie einen Schutzhelm.** Möglicherweise ist das Tragen eines Schutzhelms auf einigen Baustellen Pflicht, um den Verwender vor den Gefahren herabfallender oder über Kopf positionierter Gegenstände zu schützen.

**(4.1) ERSTE SCHRITTE – AUSPACKEN**

**Vorsicht:** Diese Verpackung enthält scharfe Gegenstände. Lassen Sie beim Auspacken Vorsicht walten. Entnehmen Sie die Maschine sowie das im Lieferumfang enthaltene Zubehör der Verpackung. Überprüfen Sie sorgfältig, ob die Maschine in gutem Zustand ist, und berücksichtigen Sie dabei das gesamte in dieser Anleitung aufgeführte Zubehör. Stellen Sie ebenfalls sicher, dass alle Zubehörteile vollständig sind. Fehlen Teile, geben Sie die Maschine zusammen mit dem Zubehör in Originalverpackung beim Einzelhändler ab. Entsorgen Sie die Verpackung nicht; bewahren Sie sie während der Garantiefrist sicher auf. Entsorgen Sie die Verpackung umweltfreundlich. Recyceln Sie sie nach Möglichkeit. Lassen Sie niemals Kinder mit leeren Plastiktüten spielen, es besteht Erstickenungsgefahr.

**(4.2) IM LIEFERUMFANG ENTHALTEN**

BESCHREIBUNG	MENGE
Originalbetriebsanleitung	1
Sägeblatt *	1
Multifunktionswerkzeug (Anpassungen)	1
Untergestell mit Rollen	1
Gummikappe (Auslass)	1
Schlauchstecker (R300DCT+)	1

\* Einige Modelle werden ohne Klingen geliefert. Einzelheiten finden Sie in der Spezifikationstabelle.

**(4.3) ZUSÄTZLICHES ZUBEHÖR**

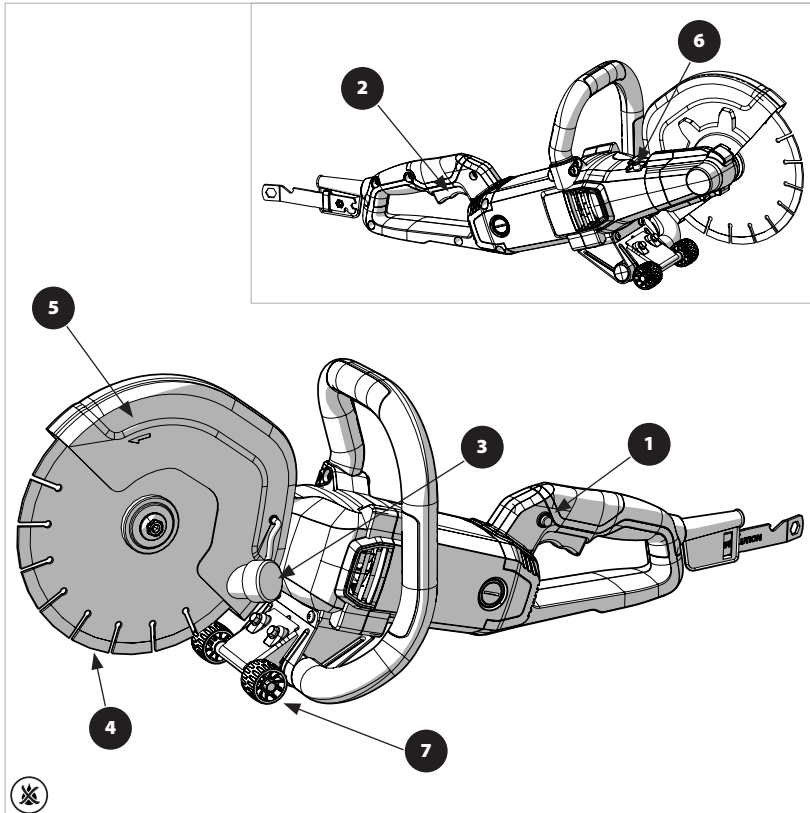
Neben den im Lieferumfang dieser Maschine enthaltenen Standardartikeln sind zudem die folgenden Zubehörteile über den Evolution-Online-Shop unter [www.evolutionpowertools.com](http://www.evolutionpowertools.com) oder bei Ihrem örtlichen Händler erhältlich.

**(4.4)**

BESCHREIBUNG	TEILE-NR
Spezielle Scheiben sind erhältlich.	Weitere Informationen und Details erhalten Sie von der Evolution-Helpline
Wasserflasche mit Handpumpe	Weitere Informationen und Details erhalten Sie von der Evolution-Helpline
Wasserflasche mit Fußpumpe	Weitere Informationen und Details erhalten Sie von der Evolution-Helpline
Transportkasten	Weitere Informationen und Details erhalten Sie von der Evolution-Helpline
Adapter für Entstaubungsanschluss	Weitere Informationen und Details erhalten Sie von der Evolution-Helpline
Nassschnitt-Set (zur Umrüstung der R300DCT)	Weitere Informationen und Details erhalten Sie von der Evolution-Helpline



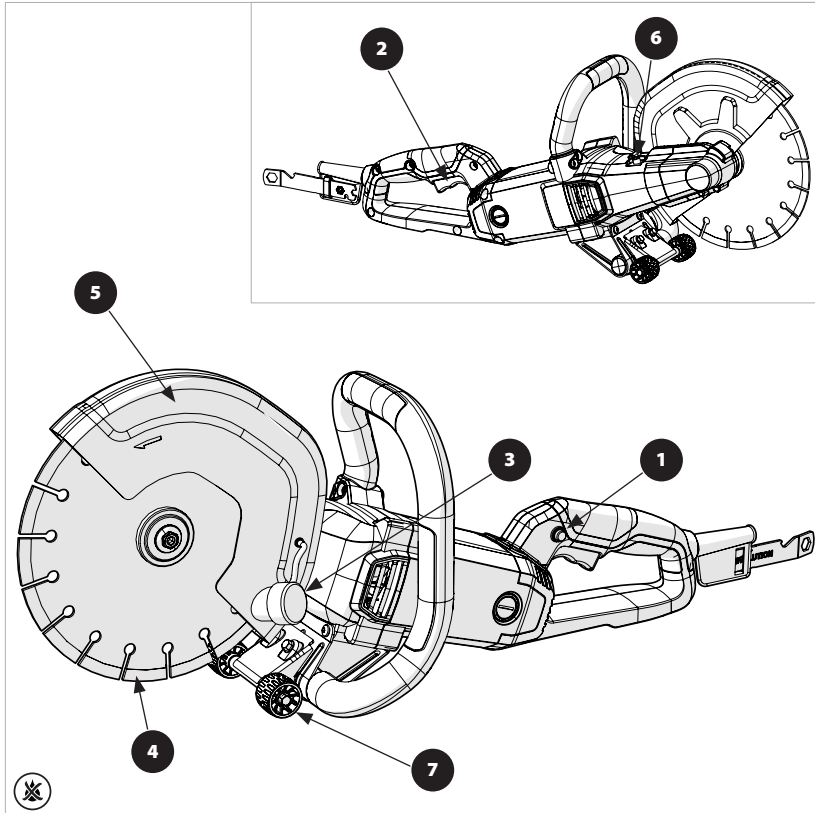
## MASCHINENÜBERSICHT – R230DCT



- 1. Sicherheitsspercknopf
- 2. Auslöseschalter
- 3. Entstaubungsanschluss
- 4. Trennscheibe

- 5. Trennscheibenschutz
- 6. Dornverriegelungsknopf
- 7. Untergestell mit Rollen

**MACHINE OVERVIEW R255DCT**



**1.** Sicherheitssperreknopf

**2.** Auslöseschalter

**3.** Entstaubungsanschluss

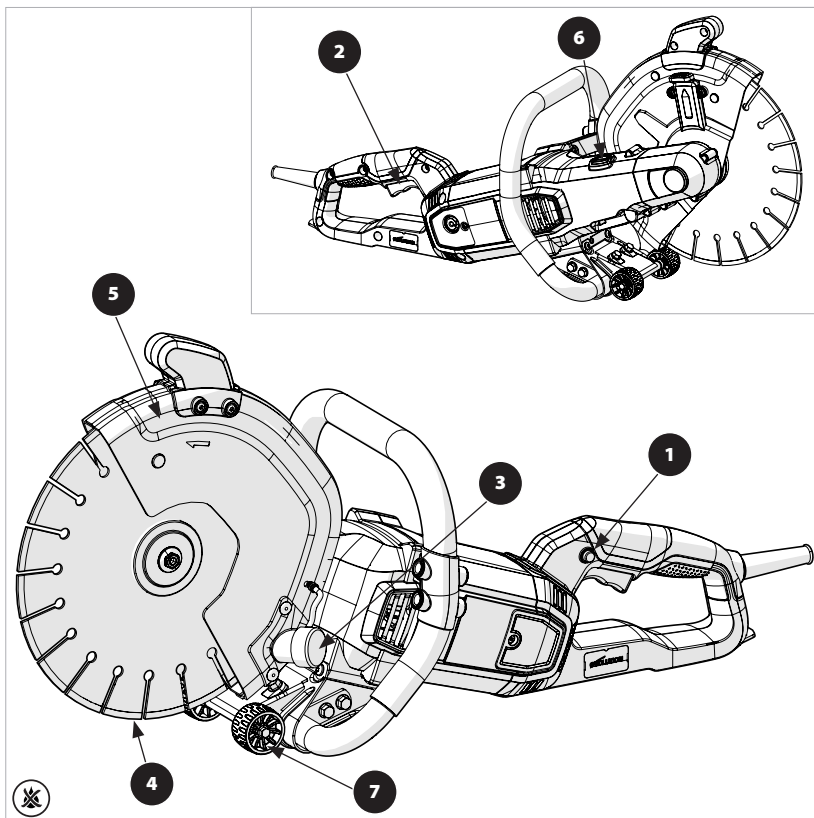
**4.** Trennscheibe

**5.** Trennscheibenschutz

**6.** Dornverriegelungsknopf

**7.** Untergestell mit Rollen

## MACHINE OVERVIEW R300DCT

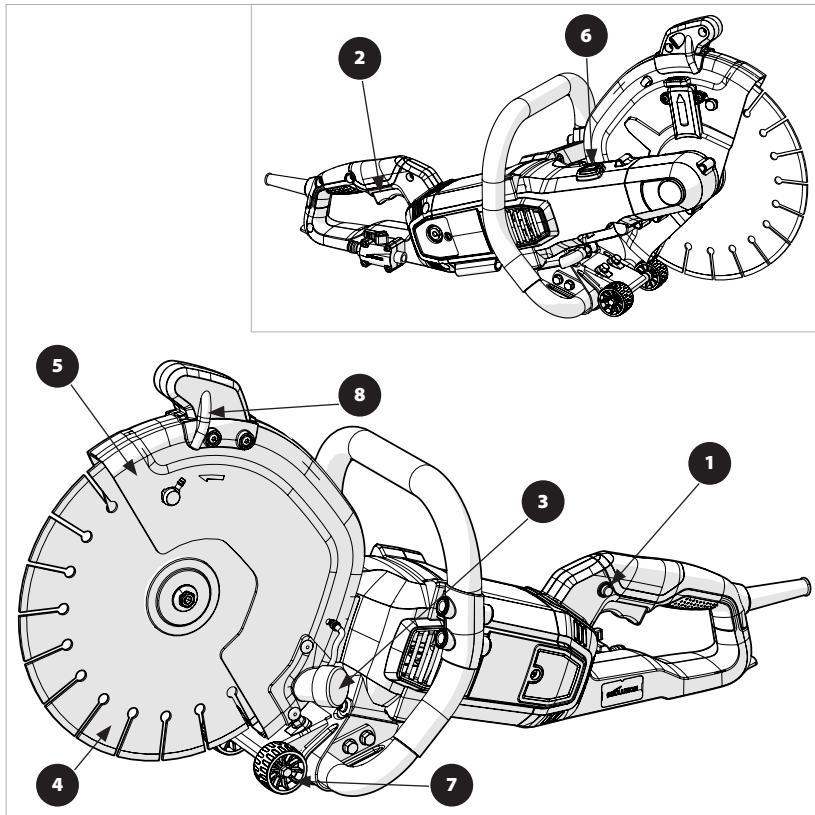


- 1. Sicherheitssperreknopf
- 2. Auslöseschalter
- 3. Entstaubungsanschluss
- 4. Trennscheibe

- 5. Anpassbarer Trennscheibenschutz
- 6. Dornverriegelungsknopf
- 7. Untergestell mit Rollen

DE

**MACHINE OVERVIEW R300DCT+**



**1.** Sicherheitssperreknopf

**2.** Auslöseschalter

**3.** Entstaubungsanschluss

**4.** Trennscheibe

**5.** Anpassbarer Trennscheibenschutz

**6.** Dornverriegelungsknopf

**7.** Untergestell mit Rollen

**8.** Wasserzufuhr

### **ALLGEMEINE BESCHREIBUNG**

Die Betontrennsägen von Evolution wurden mit vielen einzigartigen und zeitsparenden Funktionen entworfen. Einige dieser Funktionen finden sich im gesamten Sortiment wieder.

Informationen zu den spezifischen Funktionen einer bestimmten Maschine finden Sie im Abschnitt „Technische Daten“ dieser Bedienungsanleitung.

### **Gemeinsame Funktionen:**

- Sicherheitsstart AN-/AUS-Auslöseschalter
- Weit auseinanderliegende ergonomische Vorder- und Hintergriffe, die eine verbesserte Bedienerkontrolle bieten und die Sicherheit unterstützen.
- Die optimale Gewichtsbalance zwischen den vorderen und hinteren Griffen fördert den Komfort und verringert die Ermüdung des Bedieners.
- Die vorderen und hinteren Griffe sind elektrisch von den Metallteilen der Maschine isoliert.
- Staubabsaugfunktion.
- Hochwertiges Netzkabel mit Gummimantel.
- Gleitplatte aus verstärktem Stahl.
- Abnehmbares Untergestell mit Rollen.
- Mehrzweck-Einstellwerkzeug
- Integrierte Werkzeugablage
- Austauschbare Motorbürsten

**Hinweis:** Bei Bedarf wird in diesem Handbuch auf maschinenspezifische Funktionen verwiesen.

### **SCHEIBENFLANSCH**

**USA:** Maschinen, die für den US-amerikanischen Markt bestimmt sind, werden mit Scheibenflanschen geliefert, die Scheiben mit einem Dornbohrungsmaß von Ø 25,4 mm (Ø 1 Zoll) für 12-Zoll-Scheiben und einem Dornbohrungsmaß von Ø 22,2 (Ø 7/8 Zoll) für 9- und 10-Zoll-Scheiben aufnehmen.

**SONSTIGE MÄRKTE:** Andere Maschinen werden mit Scheibenflanschen geliefert, die Scheiben mit einem Dornbohrungsmaß von entweder Ø 20 mm (Ø 3/4 Zoll) oder Ø 22,2 mm (Ø 7/8 Zoll) aufnehmen, abhängig davon, wie die Flanschen installiert werden.

**MONTAGE DER TRENNSCHEIBE.**  
(Gebohrte Blätter mit einem Durchmesser von 20/22,2/25,4 mm)

**WARNUNG:** Trennen Sie die Maschine immer von der Netzquelle, bevor Sie eine Trennscheibe entfernen oder anbringen.

- Stellen Sie sicher, dass Maschinendorn und Scheibenflansche sauber und frei von Staub und Verschmutzungen sind.
- Stellen Sie sicher, dass die auf der Scheibe gekennzeichnete Drehrichtung der Drehrichtung auf dem Maschinenschutz entspricht.
- Installieren Sie den Klängenflansch (a) an der Innenseite der Klinge. (Abb. 1)
- Installieren Sie die Scheibe unter Beachtung der Drehrichtungspfeile.
- Installieren Sie den äußeren Scheibenflansch (b) und setzen Sie die Dornschraube (c) in den Dorn der Maschine ein. (Abb. 1)

**Alle Maschinen:**

- Drücken Sie auf die Dornverriegelung, um den Dorn der Maschine zu sperren. (Abb. 2)
- Ziehen Sie die Dornschraube mit dem im Lieferumfang enthaltenen Multifunktionswerkzeug an. (Abb. 3)
- Lassen Sie den Dornsperrknopf los.
- Drehen Sie die Scheibe vorsichtig von Hand und prüfen Sie, ob sie sicher und korrekt auf den Scheibenflanschen positioniert ist und sich frei drehen lässt.

**ENTFERNEN DER TRENNSCHEIBE**  
(Alle Maschinen von Evolution)

- Drücken Sie auf die Dornverriegelung, um den Dorn der Maschine zu sperren.
- Lösen und entfernen Sie die Dornschraube mit dem mitgelieferten Multifunktionswerkzeug.
- Ziehen Sie die äußere Unterlegscheibe und den Scheibenflansch heraus.
- Entfernen Sie die Scheibe.
- Entfernen Sie gegebenenfalls den inneren Scheibenflansch zur Inspektion und/oder Reinigung.

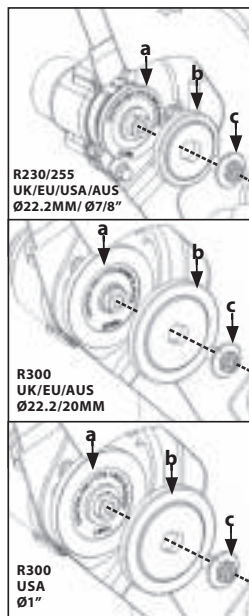


Abb. 1

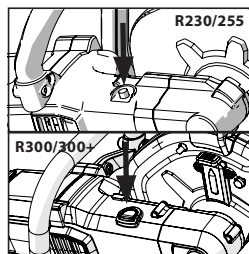


Abb. 2

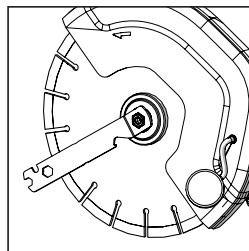


Abb. 3

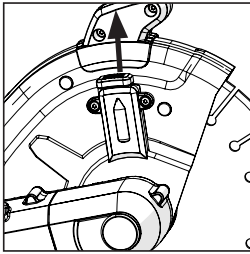


Abb. 4

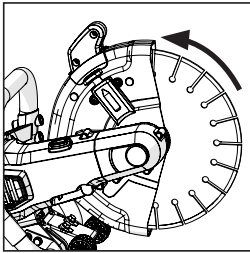


Abb. 5

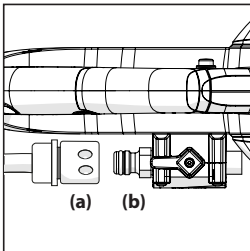


Abb. 6a &amp; b

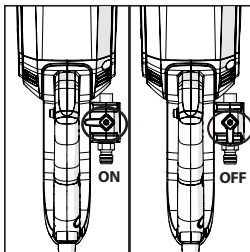


Abb. 6c

### ANPASSBARER TRENNSCHEIBENSCHUTZ (R300 DCT+ und R300 DCT)

Der Trennscheibenschutz dieser Maschinen ist verstellbar. Der Trennscheibenschutz sollte so positioniert werden, dass er dem Verwender die bestmögliche Kombination aus persönlichem Schutz und Sicht auf die Schneidlinie bietet.

**Hinweis:** Die Maschinen R255 DCT und R230 DCT sind mit festem Trennscheibenschutz ausgestattet.

#### Verstellen des Trennscheibenschutzes:

**WARNUNG:** Trennen Sie die Maschine von der Stromversorgung, bevor Sie den Trennscheibenschutz neu positionieren.

- Sichern Sie den Trennscheibenschutz, indem Sie den Verriegelungsstift nach oben ziehen. (Abb. 4)
- Drehen Sie den Trennscheibenschutz mit dem Drehgriff am Trennscheibenschutz in die optimale Position. (Abb. 5)
- Lassen Sie den Verriegelungsstift los.
- Prüfen Sie den Halt des Trennscheibenschutzes.

### STAUBUNTERDRÜCKUNGSSYSTEM (Maschine R300 DCT+)

Die R300 DCT+ ist mit einem Staubunterdrückungssystem ausgestattet. Dieses System liefert einen Wasserstrahl mit gleichem Druck und Volumen zu beiden Seiten der Scheibe.

**Hinweis:** Die R300 DCT hat eine entsprechende Vorbereitung und kann mit dem Staubunterdrückungssystem nachgerüstet werden. Für weitere Informationen wenden Sie sich an Ihren Anbieter oder die Helpline von Evolution.

#### Verwendung des Staubunterdrückungssystems:

- Schließen Sie einen Wasserversorgungsschlauch an die Säge an, wobei die Wasserversorgung von einem Leitungswasserhahn oder einem Water-Bottle-System von Evolution stammen kann.
- Schieben Sie das Schlauchverbindungsstück (Abb. 6a) auf den Schlauchadapter des Wasserventils (Abb. 6b). Indem es mit einem Klick einrastet, ist das Schlauchverbindungsstück gesichert.
- Sobald die Wasserversorgung läuft, setzen Sie das Wasser unter Druck, indem Sie entweder die Flasche abpumpen oder den Haupthahn aufdrehen.
- Öffnen Sie das Wasserventil, um der Klinge Wasser zuzuführen. Die Durchflussmenge kann über das Wasserventil an der Säge eingestellt werden. (Abb. 6c)
- Schalten Sie nach Beendigung des Schnittes die Maschine aus. Schalten Sie danach das Wasserventil (3) aus, um den Wasserfluss zur Klinge zu stoppen.
- Trennen Sie die Säge von der Wasserversorgung, indem Sie die Lösemanschette des Schlauchanschlusses zurückschieben.

**Hinweis:** Stellen Sie das System so ein, dass gerade genug Wasser zugeführt wird, um den beim Schneiden entstehenden Staub angemessen zu unterdrücken.

**WARNUNG:** Stellen Sie sicher, dass alle Schläuche, die der Maschine Wasser zuführen, eine geeignete Länge haben. Schläuche sollten so verlegt werden, dass keine Stolperfallen entstehen oder andere Gefahren auftreten.

**WARNUNG:** Halten Sie Flüssigkeit vom Werkzeug und allen Personen im Arbeitsbereich fern.

**Hinweis:** Der maximal zulässige Druck der Flüssigkeitsversorgung beträgt 5,5 BAR.

**Hinweis:** Lassen Sie bei Nichtgebrauch das Restwasser aus dem Schlauch ab. Halten Sie den Tank und die Teile sauber und frei von Ablagerungen.

Der R300DCT+ ist mit einer Fehlerstromschutzeinrichtung (RCD) ausgestattet. Für den Betrieb der Fehlerstromschutzeinrichtung befolgen Sie bitte diese Anweisungen:

- Beim Einstecken der Säge in den RCD muss der Fehlerstromschutzschalter zurückgesetzt werden, bevor die Säge eingeschaltet wird.
- Schließen Sie die Säge an, drücken Sie den Rückstellknopf auf dem FI-Schutzschalter, bis Sie einen Klick hören. **(Abb. 7a)**
- Das Anzeigefenster wechselt zu ROT, um anzuzeigen, dass der Strom eingeschaltet ist. **(Abb. 7b)**
- Zum Testen drücken Sie die Taste TEST. Auch hier gibt es einen Klick und das Anzeigefenster wechselt auf schwarz, um anzuzeigen, dass der Strom abgeschaltet ist. **(Abb. 7c)**
- Drücken Sie den Rückstellknopf erneut, um die Säge zurückzusetzen und zu verwenden.

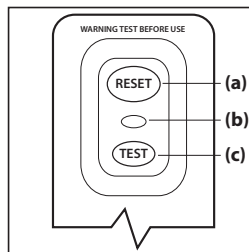
**Hinweis:** Wenn der FI-Schutzschalter während des Gebrauchs auslöst, einfach RESET drücken.

**ZWEIRÄDRIGES UNTERGESTELL  
(Alle Maschinen von Evolution)**

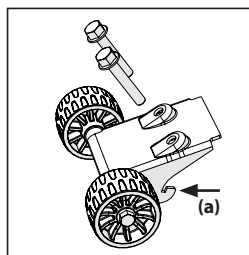
Ein zweirädriges Untergestell **(Abb. 8)** wird mit allen Maschinen geliefert. Wenn montiert **(Abb. 9)** kann dies vor allem beim horizontalen und ebenerdigen Schneiden für zusätzliche Stabilität (und Bedienerkomfort) sorgen. So wird auch sichergestellt, dass die Trennscheibe die Arbeitsfläche usw. nicht berührt, wenn die Maschine zwischen den Schnitten abgelegt wird.

Befestigung des Untergestells:

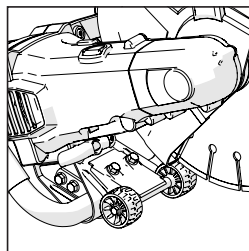
- Setzen Sie die Haken **(Abb. 8a)** in die Schlitze an der Unterseite der Gleitplatte ein.
- Befestigen Sie das Untergestell mit den mitgelieferten Schrauben an der Maschine. **(Abb. 10)**



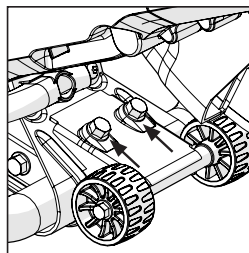
**Abb. 7**



**Abb. 8**



**Abb. 9**



**Abb. 10**



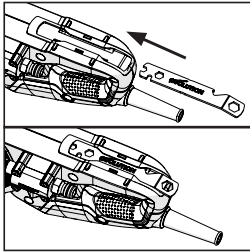


Abb. 11

### INTEGRIERTE WERKZEUGABLAGE.

Alle Evolution-Maschinen sind mit einer integrierten Aufbewahrungsmöglichkeit für das mitgelieferte Multifunktionswerkzeug ausgestattet.

#### R300 DCT+ und R300 DCT

Die Aufbewahrungsmöglichkeit befindet sich unter dem Griff der Maschine. (Abb. 11)

#### R255 DCT und R230 DCT

Die Aufbewahrungsmöglichkeit befindet sich in der Hülle, die in die Netzkabelverstärkung integriert ist. (Abb.12)

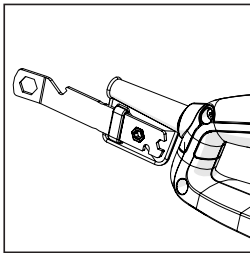


Abb. 12

### ANSCHLUSS EINER STAUBABSAUGANLAGE. (Alle Maschinen von Evolution)

**WARNUNG:** Staub kann sehr gefährlich sein. Wir empfehlen ausdrücklich, mit diesen Maschinen eine geeignete Staubabsauganlage (nicht im Lieferumfang enthalten) zu verwenden, um den Arbeitsplatz so sauber und sicher wie möglich zu halten.

Der Absaugschlauch der Staubabsauganlage sollte an den Entstaubungsanschluss des Trennscheibenschutzes angeschlossen werden.

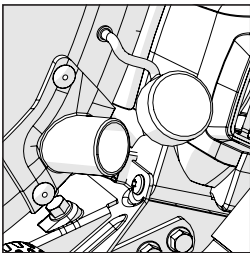


Abb. 13

- Entfernen Sie die Gummikappe vom Entstaubungsanschluss (Abb. 13) und bewahren Sie sie für den künftigen Gebrauch sorgfältig auf.
- Drücken Sie den Anschlussschlauch der Staubabsauganlage unter Verwendung eines passenden Verbindungsstück in den Entstaubungsanschluss. (Abb. 14)
- Folgen Sie den Anweisungen des Herstellers der Staubabsauganlage.
- Stellen Sie sicher, dass Schlauch und Stromkabel der angeschlossenen Staubabsauganlage den Verwender nicht zum Stolpern bringen oder anderweitig gefährden können.
- Trennen Sie die Staubabsauganlage von der Betonsäge, sobald sie nicht mehr benötigt wird, und bringen Sie die Gummikappe wieder auf dem Entstaubungsanschluss an.

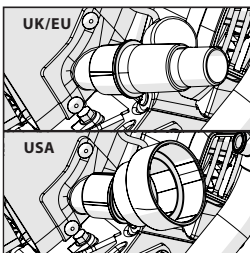


Abb. 14

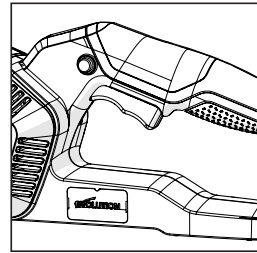
**HINWEIS:** Stellen Sie bei der Verwendung von Staubabsaugern mit Evolution-Trennschleifern sicher, dass diese beim Schneiden von Beton als Klasse M oder Klasse H eingestuft sind.

**DER AN-/AUS-AUSLÖSESCHALTER (Abb. 15)  
(Alle Maschinen von Evolution)**

**Hinweis:** Diese Maschinen sind mit einem Sicherheitsstart Auslöseschalter ausgestattet.

**Starten der Maschine:**

- Betätigen Sie mit Ihrem Daumen den seitlich am Griff gelegenen Sicherheitssperrknopf.
- Betätigen Sie den Hauptauslöseschalter, um den Motor anzuwerfen.

**Abb. 15**

**WARNUNG:** Starten Sie das Gerät nie, wenn die Schneidkante der Trennscheibe das zu bearbeitende Werkstück berührt.

**HINWEISE ZUM SCHNEIDEN**

**Hinweis:** Da Evolution Power Tools keine Kontrolle darüber hat, wie die Geräte verwendet werden, dienen die folgenden Richtlinien (nicht erschöpfend) dazu, den Anwendern bei der sicheren und effizienten Verwendung der Geräte zu helfen.

**ÜBERPRÜFUNGEN FÜR DIE SCHNEIDVORBEREITUNG**

- Stellen Sie sicher, dass die Stromversorgung die auf dem Leistungsschild der Maschine aufgeführten Anforderungen erfüllt.
- Stellen Sie sicher, dass sich der Auslöseschalter der Maschine in der Stellung „OFF“ (Aus) befindet. Sollte die Maschine mit einer Stromquelle verbunden werden während der Auslöseschalter sich in der Stellung „ON“ (An) befindet, könnte sich die Maschine sofort einschalten und schwerwiegende Unfälle verursachen.
- Wenn ein Verlängerungskabel erforderlich ist, muss es für den Arbeitsbereich geeignet sein. Bei Verwendung im Freien sollte es wasserdicht und so gekennzeichnet sein.
- Bei Verwendung eines Verlängerungskabels sind die Anweisungen des Herstellers zu beachten.
- Verlegen Sie Verlängerungskabel so, dass sie den Verwender, Kollegen oder Umstehende nicht zum Stolpern bringen oder anderweitig gefährden können.

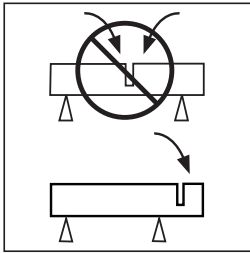


Abb. 16

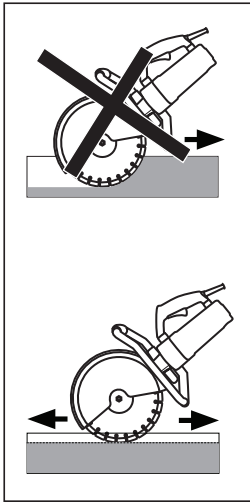


Abb. 17

### SNITTVERFAHREN

Kennzeichnen Sie auf dem Werkstück alle Schnittlinien mit einem geeigneten Medium, z. B. einem Bleistift, Farbstift oder Kreide. Alle Schnittlinien sollten klar und deutlich erkennbar sein.

- Stützen Sie das Werkstück nach Möglichkeit so ab, dass dessen Bewegungen vorhersagbar sind und der Schnitt beim Schneiden offen und stabil bleibt. **(Abb. 16)**
- Richten Sie die Trennscheibe an den vormarkierten Schnittlinien aus. Stellen Sie sicher, dass die Trennscheibe das Werkstück nicht berührt, bevor Sie mit dem Schneiden beginnen.
- Schalten Sie die Maschine ein und warten Sie, bis die Scheibe ihre Betriebsgeschwindigkeit erreicht hat.
- Setzen Sie die Scheibe vorsichtig auf das Werkstück auf. Die Schneidleistung ist dann am besten, wenn Sie gerade entlang der vorab markierten Schnittlinie arbeiten. Schneiden Sie maximal mit einer Schnitttiefe von 50 mm (2 Zoll). **(Abb. 17)**
- Sollte eine Schnitttiefe von mehr als 50 mm (2 Zoll) benötigt werden, schneiden Sie in mehreren Schritten.
- Schneiden Sie in einer flüssigen Bewegung und üben Sie nicht zu viel Druck auf die Scheibe aus.

**WARNUNG:** Versuchen Sie nicht, in Kurven oder Zickzacklinien zu schneiden. Verwenden Sie keinesfalls die Seitenflächen der Scheiben für Schneidevorgänge. Schneiden Sie nicht mit einem Auslenkwinkel.

- Bewegen Sie die Scheibe langsam rückwärts und dann vorwärts, um einen kleinen Kontaktbereich zwischen Scheibe und dem zu schneidenden Werkstück herzustellen. Somit steigt die Scheibentemperatur nicht so stark an und die Schneidleistung verbessert sich.
- Sollte sich die Scheibe festfressen oder treten ungewöhnliche Geräusche auf, schalten Sie die Maschine sofort aus und suchen Sie nach den Ursachen. Ermitteln Sie den Grund für ungewöhnliche Geräusche oder ein Festfressen. Setzen Sie den Schneidevorgang nur fort, wenn dies auch sicher ist.
- Drücken Sie die Maschine in Richtung der Scheibe nach unten. Sollten Sie seitlich Druck auf die Trennscheibe ausüben, kann dies die Scheibe beschädigen und zu gefährlichen Situationen führen.

**INSTANDHALTUNG**

**WARNUNG:** Instandhaltungsarbeiten dürfen nur an ausgeschalteter und vom Stromnetz getrennter Maschine ausgeführt werden.

Prüfen Sie regelmäßig sämtliche Sicherheits- und Schutzvorrichtungen auf ihre Funktionsfähigkeit. Verwenden Sie die Maschine nur, wenn alle Sicherheits-/Schutzvorkehrungen ordnungsgemäß funktionieren.

Alle Motorenlager dieser Maschine sind auf Lebensdauer geschmiert. Zusätzliches Schmieröl ist nicht notwendig.

Verwenden Sie ein sauberes, angefeuchtetes Tuch, um die Plastikteile der Maschine zu reinigen. Verwenden Sie keine Lösungsmittel o. ä., die die Plastik- oder Gummiteile beschädigen könnten.

Das Entfernen der Scheibe aus der Maschine ermöglicht den Zugang zum Inneren des Trennscheibenschutzes. Ablagerungen usw. können mit einem stumpfen, nichtmetallischen Abstreifer oder einem ähnlichen Werkzeug (nicht im Lieferumfang enthalten) entfernt werden.

**WARNUNG:** Versuchen Sie nicht durch Einführen spitzer Objekte durch Öffnungen im Gehäuse usw. der Maschine diese zu reinigen. Die Lüftungsschlitze der Maschine können mit Druckluft gereinigt werden. Beachten Sie alle erforderlichen Gesundheits- und Sicherheitsvorsichtsmaßnahmen, wenn Sie Druckluft als Reinigungsmedium verwenden.

Übermäßige Funkenbildung kann ein Hinweis auf Schmutz im Motor oder abgenutzte Kohlebürsten sein.

Falls dies vermutet wird, lassen Sie die Maschine von einem qualifizierten Techniker warten und die Bürsten austauschen.

**UMWELTSCHUTZ**

Elektroschrott nicht mit dem Haushaltsmüll entsorgen. Nach Möglichkeit recyceln. Für Informationen hinsichtlich Recycling wenden Sie sich bitte an Ihre Behörde vor Ort oder Ihren Händler.



## KONFORMITÄTSERKLÄRUNG



Der Hersteller des von dieser Konformitätserklärung gedeckten Produktes ist:

**GB:** Evolution Power Tools, Venture One, Longacre Close, Holbrook Industrial Estate, Sheffield, S20 3FR.

**FR:** Evolution Power Tools SAS. 61 Avenue Lafontaine, 33560, Carbon-Blanc, Bordeaux, Frankreich.

Hiermit erklärt der Hersteller, dass die Maschine wie in dieser Erklärung dargestellt allen relevanten Auflagen der Maschinenrichtlinie und anderer betreffender weiter unten ausgeführten Richtlinien entspricht.

Hiermit erklärt der Hersteller ferner, dass die in dieser Erklärung angegebene Maschine, wo zutreffend, die relevanten Bestimmungen des grundlegenden Arbeitsschutzes erfüllt.

### Die in dieser Erklärung berücksichtigten Richtlinien lauten wie folgt:

<b>2006/42/EC.</b>	Maschinenrichtlinie.
<b>2014/30/EU.</b>	Richtlinie zur elektromagnetischen Verträglichkeit.
<b>2011/65/EU. &amp; 2015/863/EU.</b>	Richtlinie zur Beschränkung der Verwendung bestimmter gefährlicher Stoffe in Elektro- und Elektronikgeräten (RoHS).
<b>2002/96/EC.</b>	Änderung durch 2003/108/EG, Richtlinie über Elektro- und Elektronik-Altgeräte (sogenannte WEEE-Richtlinie).

### Und erfüllt die zutreffenden Vorgaben der folgenden Dokumente

**EN 60745-1/A11:2010 • EN 60745-2-22: 2011+A11: 2013 • EN 55014-1: 2017 • EN 55014-2: 2015 • EN IEC 61000-3-2:2019 • EN 61000-3-3:2013+A1:2019**

### Produktdetails

Beschreibung:	Evolution Elektrischer Trennschleifer <b>R230DCT</b> , 230 mm (9 Zoll) Evolution Elektrischer Trennschleifer <b>R255DCT</b> , 255 mm (10 Zoll) Evolution Elektrischer Trennschleifer <b>R300DCT</b> , 300 mm (12 Zoll) Evolution Elektrischer Trennschleifer <b>R300DCT+</b> , 300 mm (12 Zoll)
Markenname:	Evolution Build
Spannung:	110 V ~ 50 Hz 220-240 V ~ 50 Hz Energiezufuhr: 110 V: 1600/2000W 220-240V: 2400W / 2000W

Die technischen Unterlagen, die notwendig sind, um zu belegen, dass dieses Produkt den Anforderungen der Richtlinie entspricht, wurden von der zuständigen Vollzugsbehörde eingefordert und können dort zur Inspektion eingesehen werden. Diese Unterlagen belegen, dass unser technisches Verzeichnis die oben aufgeführten Dokumente enthält und dass diese den korrekten Normen für dieses Produkt, wie oben aufgeführt, entsprechen.

### Name und Adresse der für das technische Verzeichnis verantwortlichen Person.

Unterschrift:  Druck: Barry Bloomer  
CEO

Datum: 19.05.2020

**GB:** Evolution Power Tools, Venture One, Longacre Close, Holbrook Industrial Estate, Sheffield, S20 3FR.

**FR:** Evolution Power Tools SAS. 61 Avenue Lafontaine, 33560, Carbon-Blanc, Bordeaux, Frankreich.

**Estas instrucciones de uso se han escrito originalmente en inglés.**

## **IMPORTANTE**

Por favor, lea atentamente estas instrucciones de uso y seguridad.

Por su propia seguridad, si no está seguro de algún aspecto sobre el uso de este equipo, póngase en contacto con el Servicio de Asistencia Técnica. Encontrará el número de teléfono en la página web de Evolution Power Tools. Nuestra organización dispone de varios teléfonos de asistencia en todo el mundo. Su proveedor también puede ofrecerle asistencia técnica.

## **WEB**

**www.evolutionpowertools.com**

**Enhorabuena por adquirir una máquina Evolution Power Tools. Por favor, complete el registro de su producto en línea tal y como se indica en el formulario de registro de garantía en línea A4 adjunto a esta máquina. También puede escanear el código QR impreso en el formulario A4 con un smartphone. De esta manera, validará el periodo de garantía de su máquina a través de la página web de Evolution al introducir sus datos y, así, disponer de un servicio rápido si fuera necesario. Le agradecemos sinceramente que haya escogido uno de nuestros productos Evolution Power Tools.**

## **GARANTÍA LIMITADA DE EVOLUTION.**

**Evolution Power Tools se reserva el derecho a hacer mejoras y modificaciones en el diseño del producto sin previo aviso.**

**Por favor, consulte el folleto de registro de garantía o el embalaje para obtener más información sobre los términos y condiciones de la garantía.**

Evolution Power Tools reparará o substituirá, dentro del periodo de garantía y desde la fecha original de compra, cualquier producto con defectos materiales o de fabricación. Esta garantía será nula si la herramienta devuelta se ha usado sin seguir las recomendaciones del manual de instrucciones o si la máquina se daña por accidente, descuido o uso inapropiado. Esta garantía no es aplicable a máquinas o componentes alterados, cambiados o modificados de alguna manera, o sometidos a un uso no especificado en los usos y especificaciones recomendadas. Los componentes eléctricos están sujetos a las garantías de sus respectivos fabricantes. Todos los objetos defectuosos deberán devolverse pagando previamente el importe del transporte a Evolution Power Tools. Evolution Power Tools se reserva el derecho de reparar el producto o substituirlo por el mismo producto o uno equivalente. No existe garantía, escrita o verbal, para accesorios consumibles (la siguiente lista no es exhaustiva), como hojas, cortadores, taladros, cinceles o paletas, etc. Evolution Power Tools no se hace responsable en ningún caso de la pérdida o el daño causado directa o indirectamente por el uso de nuestros productos o por cualquier otra causa. Evolution Power Tools no se hace responsable de ningún coste o daño indirecto derivado de estos productos. Ningún directivo, empleado o agente de Evolution Power Tools está autorizado para realizar declaraciones orales de idoneidad ni para eximir de ninguna de las condiciones de venta mencionadas y ninguna de ellas será vinculante para Evolution Power Tools.

**Las cuestiones relativas a esta garantía limitada deberán dirigirse a la oficina central de la empresa o consultarse en el número de asistencia correspondiente.**

## CARACTERÍSTICAS TÉCNICAS

CARACTERÍSTICAS TÉCNICAS DE LA MÁQUINA	R230DCT		R255DCT		R300DCT		R300DCT+	
Código de producto Reino Unido/UE/AUS	009-0001, 009-0002, 009-0003, 009-0006	009-0001X, 009-0002X, 009-0003X, 009-0006X	010-0001, 010-0002, 010-0003, 010-0006	010-0001X, 010-0002X, 010-0003X, 010-0006X	012-0001, 012-0002, 012-0003, 012-0006	012-0001X, 012-0002X, 012-0003X, 012-0006X	012-0001A, 012-0002A, 012-0003A, 012-0006A	012-0001AX, 012-0002AX, 012-0003AX, 012-0006AX
Código de producto EE. UU.	009-0004	009-0004X	010-0004	010-0004X	012-0004	012-0004X	012-0004A	012-0004AX
Motor UE/Reino Unido/AUS (220-240V ~ 50Hz)	2000W		2000W		2400W		2400W	
Motor UE/Reino Unido (110V ~ 50Hz)	1600W		1600W		1600W		2000W	
Motor EE. UU. (120V ~ 60Hz)	15A		15A		15A		15A	
Velocidad nominal (min <sup>-1</sup> )	6000		6000		110V - 4400 120V - 4600 220-240V - 5090		110V - 4400 120V - 4600 220-240V - 5090	
Máximo ciclo de trabajo recomendado	20 minutos							
Peso	7.1kg		7.3kg		9.7kg		9.7kg	
Longitud del cable	3m (10ft)		4m (13ft)		3m (10ft) AUS 4m (13ft)		4m (13ft)	
Capacidad de corte a 90°	90mm (3-1/2")		102.5mm (4-1/16")		115mm (4-1/2")		115mm (4-1/2")	
<b>HOJA</b>								
Hoja incluida	General diamante	Hoja no incluida	General diamante	Hoja no incluida	General diamante	Hoja no incluida	Premium diamante	Hoja no incluida
Diámetro	230mm (9")		255mm (10")		300mm (12")		300mm (12")	
Diámetro Reino Unido y UE	22.2mm		22.2mm		22.2 / 20mm		22.2 / 20mm	
Diámetro EE. UU.	7/8"		7/8"		1"		1"	
<b>DATOS DE RUIDO Y VIBRACIÓN</b>								
Presión acústica máx. L <sub>pA</sub>	98.0dB(A) K=3dB(A)							
Nivel de potencia acústica máx. L <sub>WA</sub>	109.0dB(A) K=3dB(A)							
Vibración del mango Máx. nivel	6.15m/s <sup>2</sup> K=1.5m/s <sup>2</sup>							

**Nota:** La medición de la vibración se ha realizado en condiciones normales conforme a la norma BS EN 60745-1:2009+A11: 2010

El valor total de vibración declarado se ha medido según el método de pruebas estándar y sirve para comparar una herramienta con otra. El valor total de vibración declarado también sirve para una evaluación previa de la exposición.

### VIBRACIÓN

**ADVERTENCIA:** durante el uso de esta máquina, el operario puede verse expuesto a altos niveles de vibración que se transmiten a la mano y al brazo. Es posible que el operario pueda desarrollar la "enfermedad de los dedos blancos debido a la vibración" (síndrome de Raynaud). Esta enfermedad puede reducir la sensibilidad de la mano a la temperatura, así como producir entumecimiento general. Los usuarios que utilicen esta máquina de manera prolongada o regular deben comprobar bien el estado de sus manos y dedos.

Si aparece alguno de los síntomas, busque atención médica inmediata.

- La medición y la evaluación de la exposición humana a las vibraciones transmitidas a la mano en el lugar de trabajo se indican en: **BS EN ISO 5349-1:2001 y BS EN ISO 5349-2:2002**
- Muchos factores pueden influir en el nivel de vibración real durante el funcionamiento; p. ej., el estado y la orientación de las superficies de trabajo, así como el tipo y el estado de la máquina que se está utilizando. Antes de cada uso, se deben evaluar dichos factores y adoptar prácticas de trabajo adecuadas siempre que sea posible. Controlar estos factores puede ayudar a reducir los efectos de la vibración:

#### Manipulación

- Manipule la máquina con cuidado, permitiendo que esta haga el trabajo.
- Evite un esfuerzo físico excesivo en cualquiera de los controles de las máquinas.
- Tenga en cuenta su seguridad y estabilidad, así como la orientación de la máquina durante su uso.

#### Superficie de trabajo

- Tenga en cuenta la superficie de trabajo, su estado, densidad, resistencia, rigidez y orientación.

**ADVERTENCIA:** según el modo de uso de la herramienta, la emisión de vibraciones durante el uso de la herramienta eléctrica puede ser diferente del valor total declarado. La necesidad de identificar medidas de seguridad y de proteger al operador se basa en una estimación de las condiciones reales de uso (teniendo en cuenta todas las partes del ciclo operativo, como las veces que se desconecta la máquina, el tiempo que está en reposo o ralenti, además del tiempo que está funcionando de forma continua y el tiempo del disparador).

#### ETIQUETAS Y SÍMBOLOS

**ADVERTENCIA:** no utilice la máquina si faltan las etiquetas de advertencia y/o instrucciones o si están dañadas. Póngase en contacto con Evolution Power Tools si necesita sustituir las etiquetas.

**Nota:** todos o algunos de los siguientes símbolos pueden aparecer en el manual o en el producto.

SÍMBOLO	DESCRIPCIÓN
V	Voltios
A	Amperios
Hz	Hercios
Min <sup>-1</sup>	Velocidad
~	Corriente alterna
n	Velocidad nominal
	Advertencia!
	Lea las instrucciones
	Solo corte en seco <i>Aplicable únicamente a los modelos R230DCT, R255DCT y R300DCT. Se excluye R300DCT+.</i>
	Utilice gafas protectoras
	Utilice protección auditiva
	Utilice protección contra el polvo
	Utilice protección en la cabeza
	Utilice guantes protectores
	Utilice botas protectoras
	Mantenga las manos alejadas. No coloque la mano encima ni debajo de la línea marcada con este símbolo en el mango frontal. Asegúrese de que la mano se mantiene por encima de la línea y del símbolo en todo momento para garantizar una distancia segura entre la mano y la hoja. De lo contrario, se pueden producir lesiones. <i>Aplicable para R230DCT y R255DCT</i>
	Certificado US
	Certificado CE
	Marca de cumplimiento de la normativa (RCM) para equipo eléctrico y electrónico. Norma de Australia/Nueva Zelanda.
	Certificado GS
	Residuos de aparatos eléctricos y electrónicos
	Únicamente utilice hojas de diamante, no utilice hojas dentadas
	No utilice hojas defectuosas o rotas
	Riesgo elevado de contragolpe
	Riesgo de inhalación de polvo
	Riesgo de incendio. Asegúrese de que la zona próxima está libre de materiales inflamables.



## USO PREVISTO DE ESTA HERRAMIENTA ELÉCTRICA

Esta máquina se ha diseñado para usarse con hojas especiales de Evolution. Utilice únicamente accesorios diseñados para el uso en esta máquina y/o aquellos recomendados específicamente por Evolution Power Tools Ltd.

### Si esta máquina está equipada con una hoja adecuada, puede cortar lo siguiente:

Ladrillo  
Pavimento  
Bordillos  
Hormigón y materiales de construcción relacionados  
Acero  
Metales no ferrosos  
Piedra natural

## USO PROHIBIDO DE ESTA HERRAMIENTA ELÉCTRICA

**ADVERTENCIA:** Este producto es una sierra para hormigón de uso manual y únicamente debe usarse para este fin. No debe modificarse de ninguna manera, no debe usarse en ningún otro equipo ni para accionar un accesorio no especificado en el manual de instrucciones.

**ADVERTENCIA:** Esta máquina no se debe utilizar para cortar ningún material que pueda contener amianto. Si se sospecha de la presencia de amianto, consulte a las autoridades pertinentes.

**ADVERTENCIA:** Esta máquina no está diseñada para ser utilizada por personas (niños incluidos) con discapacidad psíquica, sensorial o mental. Los operarios potenciales que carezcan de experiencia de uso de este equipo deben recibir formación y estar supervisados por una persona competente totalmente familiarizada con las prácticas de trabajo necesarias para utilizar este equipo de forma segura.

Mantener la máquina lejos del alcance de los niños para garantizar que no tienen acceso a ella.

## RIESGOS RESIDUALES

Aunque la máquina se use y se mantenga correctamente, siguen existiendo riesgos residuales que pueden provocar lesiones graves. Debido al tipo y la naturaleza de esta máquina, existen los siguientes peligros potenciales:

- Contacto con la hoja expuesta (corte)
- Acceso a la hoja girando (corte)
- Trozos de la hoja que salen disparados de la máquina (corte o traumatismo)
- Trozos de la pieza de trabajo que salen disparados del corte (corte o traumatismo)

- Riesgo de incendio por chispas que salen volando.
- Daños auditivos si no se lleva protección acústica adecuada (pérdida de audición)
- Inhalación de partículas de polvo de la pieza de trabajo
- Descarga eléctrica al tocar componentes eléctricos no aislados.

Si no se siguen las instrucciones de este manual, pueden surgir otros riesgos residuales por uso indebido.

## SEGURIDAD ELÉCTRICA

Esta máquina está equipada con el enchufe moldeado y cable de alimentación correctos para el mercado designado. Si el cable de suministro se daña, debe reemplazarse por un cable de suministro preparado especialmente por la empresa de mantenimiento.

En caso de daños, el enchufe solo se debe sustituir con piezas de repuesto auténticas de Evolution y debe ser instaladas por un técnico competente.

## (2.1) INSTRUCCIONES GENERALES DE SEGURIDAD

### PARA HERRAMIENTAS ELÉCTRICAS

(Estas instrucciones generales de seguridad para herramientas eléctricas se especifican en las normas EN 60745-1: 2009+A11: 2010)

### ADVERTENCIA: lea todas las advertencias e instrucciones de seguridad.

El incumplimiento de las instrucciones y advertencias puede provocar una descarga eléctrica, incendios y/o lesiones graves.

### Conserve las advertencias e instrucciones para poder consultarlas en el futuro.

El término "herramienta eléctrica" de las advertencias se refiere a la herramienta alimentada por la red eléctrica (con cable) o con baterías (inalámbrica).

### (2.2) 1 Advertencias generales de seguridad de la herramienta eléctrica [Seguridad en el área de trabajo].

**a) Mantenga la zona de trabajo limpia y bien iluminada.** Las zonas desordenadas u oscuras pueden provocar accidentes.

**b) No utilice las herramientas eléctricas en atmósferas explosivas, como en presencia de líquidos inflamables, gases o polvo.**

Las herramientas eléctricas producen chispas que pueden incendiar el polvo o los gases.

**c) Mantenga a los niños y transeúntes alejados cuando utilice una herramienta eléctrica.** Las distracciones pueden hacerle perder el control.

### (2.3) 2 Advertencias generales de seguridad de la herramienta eléctrica [seguridad eléctrica]

**a) Los enchufes de la herramienta**

**eléctrica deben adaptarse a las tomas de corriente.** No modifique el enchufe de ningún modo. No utilice adaptadores de enchufe con herramientas eléctricas que tienen conexión a tierra.

Si las tomas de corriente coinciden y los enchufes no se modifican, se reduce el riesgo de que se produzca una descarga eléctrica.

**b) Evite el contacto corporal con superficies conectadas a tierra tales como tuberías, radiadores, estufas y refrigeradores.** El riesgo de descarga eléctrica aumenta si su cuerpo está conectado a tierra.

**c) No exponga las herramientas eléctricas a la lluvia o a la humedad.** Si entra agua en una herramienta eléctrica, aumenta el riesgo de descarga eléctrica.

**d) No utilice el cable de forma incorrecta.** Nunca utilice el cable para transportar, arrastrar o desenchufar la herramienta eléctrica. Mantenga el cable lejos del calor, del aceite, de esquinas cortantes o de piezas móviles. Los cables dañados o enredados aumentan el riesgo de que se produzca una descarga eléctrica.

**e) Cuando trabaje con la herramienta eléctrica en exteriores, utilice un alargador adecuado para uso en exteriores.** El uso de un cable adecuado para exteriores reduce el riesgo de que se produzca una descarga eléctrica.

**f) Si utiliza una herramienta eléctrica en un lugar húmedo, es necesario utilizar una toma de corriente protegida con un dispositivo de corriente residual.** El uso de un dispositivo de corriente residual reduce el riesgo de que se produzca una descarga eléctrica.

### **(2.4) 3) Advertencias generales de seguridad de la herramienta eléctrica [Seguridad personal].**

**a) Manténgase alerta, tenga cuidado con lo que hace y aplique el sentido común al utilizar una herramienta eléctrica.** No utilice una herramienta eléctrica cuando esté cansado o se encuentre bajo la influencia de alguna droga, alcohol o medicación. Un momento de distracción durante el uso de herramientas eléctricas puede ocasionar lesiones personales graves.

**b) Utilice el equipo de protección personal.** Utilice siempre protección para los ojos. El uso de equipo de protección, como máscaras para el polvo, calzado antideslizante, casco o protección auditiva para condiciones adecuadas, reducirá el riesgo de que se produzcan lesiones personales.

**c) Evite el encendido accidental.** Compruebe que el interruptor está en la posición off (apagado) antes de conectar

la herramienta a la fuente de alimentación o a las baterías, o de coger o transportar la herramienta. El hecho de transportar herramientas eléctricas con el dedo sobre el interruptor o enchufar herramientas eléctricas con el interruptor encendido puede provocar accidentes.

**d) Retire cualquier llave de ajuste o llave inglesa antes de encender la herramienta eléctrica.** Una llave, como una llave inglesa, colocada en una pieza giratoria de la herramienta eléctrica puede ocasionar lesiones personales.

**e) Manténgase siempre dentro de sus límites.** Mantenga una postura y equilibrio adecuados en todo momento. Esto permitirá un mejor control de la herramienta eléctrica ante situaciones inesperadas.

**f) Utilice ropa adecuada.** No utilice ropa suelta ni joyas. Mantenga el pelo, la ropa y los guantes alejados de las piezas móviles. Las joyas, la ropa holgada y el cabello largo pueden quedar atrapados en las piezas móviles.

**g) Si se proporcionan dispositivos para la conexión de unidades de extracción y recogida de polvo, asegúrese de que están conectados y de que se usan de forma adecuada.** El uso de estos dispositivos puede reducir los riesgos derivados del polvo.

### **(2.5) 4) Advertencias generales de seguridad de la herramienta eléctrica [Uso y cuidado de la herramienta eléctrica].**

**a) No fuerce la herramienta eléctrica.**

Utilice la herramienta eléctrica correcta para su aplicación. La herramienta correcta realizará el trabajo de una forma más precisa y segura según el ritmo para el cual se ha diseñado.

**b) No utilice la herramienta eléctrica si el interruptor no la enciende ni la apaga.**

Las herramientas eléctricas que no se puedan controlar con el interruptor son peligrosas y deben repararse.

**c) Desconecte la herramienta eléctrica de la fuente de alimentación y/o batería antes de realizar algún tipo de ajuste, cambiar accesorios o almacenar la herramienta eléctrica.** Este tipo de medidas de seguridad preventivas reducen el riesgo de que la herramienta arranque por accidente.

**d) Guarde las herramientas eléctricas fuera del alcance de los niños y no permita que personas que no estén familiarizadas con la herramienta eléctrica o estas instrucciones la usen.**

Las herramientas eléctricas son peligrosas en manos de personas inexpertas.

**e) Lleve a cabo un mantenimiento regular de las herramientas eléctricas.** Verifique la alineación y fijación de las piezas móviles,

la posible rotura de las piezas móviles y cualquier otra condición que pueda afectar al funcionamiento de las herramientas eléctricas. Si está dañada, repare la herramienta eléctrica antes de usarla. Muchos accidentes se producen debido a un mantenimiento deficiente de las herramientas eléctricas.

**f) Mantenga las herramientas de corte limpias y afiladas.** Las herramientas de corte con un buen mantenimiento y bordes de corte afilados son menos propensas a trabarse y son más fáciles de controlar.

**g) Utilice la herramienta eléctrica, accesorios y brocas, etc., de acuerdo con estas instrucciones y teniendo en cuenta las condiciones de funcionamiento y el trabajo que se va a realizar.** El uso de la herramienta eléctrica para operaciones diferentes a las previstas puede provocar una situación peligrosa.

#### (2.6) 5 Advertencias generales de seguridad de la herramienta eléctrica [Servicio]

**a) Lleve la herramienta eléctrica a reparar a un experto cualificado que utilice piezas de repuesto originales. Esto garantizará que la seguridad de la herramienta eléctrica se cumple correctamente.**

#### Advertencias de seguridad de la máquina de corte

**a) La protección suministrada con la herramienta se debe unir de forma segura a la herramienta eléctrica y colocarse para proporcionar la máxima seguridad para que quede expuesta la mínima cantidad de disco hacia el operario.**

Usted y las personas presentes deben situarse lejos del plano del disco giratorio. La protección sirve para proteger al operario de los fragmentos de disco rotos y del contacto accidental con el disco.

**b) Utilice únicamente discos de corte aglutinados y reforzados o de diamante para su herramienta eléctrica.** El hecho de que un accesorio se pueda conectar a su herramienta eléctrica, no garantiza un funcionamiento seguro.

**c) La velocidad nominal del accesorio como mínimo debe ser igual a la velocidad máxima marcada en la herramienta eléctrica.** Los accesorios que funcionan más rápido de su velocidad nominal pueden romperse y salir despedidos.

**d) Los discos deben utilizarse únicamente para las aplicaciones recomendadas.** Por ejemplo: no realice el amolado con el lateral de un disco de corte. Los discos de corte abrasivos están diseñados para el amolado periférico; si se aplican fuerzas laterales a

estos discos, se pueden hacer añicos.

**e) Utilice siempre bridas de sujeción no dañadas que tengan el diámetro correcto para el disco seleccionado.** Las bridas de sujeción adecuadas soportan el disco y reducen así la posibilidad de rotura del disco.

**f) No utilice discos reforzados desgastados de herramientas eléctricas más grandes.** Los discos para herramientas eléctricas más grandes no son aptos para las velocidades más elevadas de una herramienta pequeña y pueden estallar.

**g) El diámetro exterior y el grosor de su accesorio deben estar dentro de la capacidad nominal de su herramienta eléctrica.** Los accesorios de tamaño incorrecto no se pueden proteger ni controlar de forma adecuada.

**h) El tamaño del eje de los discos y de las bridas de sujeción debe ser el apropiado para encajar en el husillo de la herramienta eléctrica.** Los discos y las bridas con orificios del eje que no coinciden con el hardware de montaje de la herramienta eléctrica presentarán un desequilibrio, vibrarán excesivamente y pueden provocar una pérdida de control.

**i) No utilice discos dañados.** Antes de cada uso, revise los discos en busca de astillas y fisuras. Si la herramienta eléctrica o el disco se caen, revíselos en busca de daños o monte un disco no dañado. Después de revisar e instalar el disco, usted y cualquier persona presente deben situarse lejos del plano del disco giratorio y utilizar la herramienta eléctrica a máxima velocidad y sin carga durante un minuto. Los discos dañados generalmente se rompen durante esta fase de prueba.

**j) Utilice equipo de protección individual.**

En función de la aplicación, utilice gafas de seguridad o un protector facial. En caso necesario, utilice una máscara antipolvo, protección auditiva, guantes y un delantal para detener pequeños fragmentos abrasivos o fragmentos de la pieza de trabajo. La protección ocular debe proteger correctamente de los residuos que salen despedidos y que se generan durante las distintas operaciones. La máscara o careta antipolvo debe filtrar las partículas generadas durante el trabajo. Una exposición prolongada a ruidos de alta intensidad puede provocar sordera.

**k) Las personas que se encuentren cerca deben mantenerse a una distancia segura del área de trabajo.** Cualquier persona que acceda al área de trabajo debe llevar equipo de protección individual. Los fragmentos de la pieza de trabajo o de un disco roto pueden salir despedidos y provocar lesiones fuera de la zona de operación inmediata.

**l) Sujete la herramienta eléctrica solo por las superficies de agarre aisladas**

**cuando el accesorio de corte pueda tocar cableado no visible o su propio cable.** El accesorio de corte que entra en contacto con un cable «con corriente» puede hacer que las partes metálicas expuestas de la herramienta eléctrica estén bajo «corriente» y pueden electrocutar al operario.

**m) Coloque el cable de tal manera que no interfiera con el accesorio giratorio.** Si pierde el control, el cable se puede cortar o enganchar y puede tirar de su mano o brazo hacia el accesorio giratorio.

**n) Nunca deposite la herramienta eléctrica hasta que el accesorio se haya detenido por completo.** El disco giratorio puede atrapar la superficie y tirar de la herramienta eléctrica haciendo que pierda el control de la misma.

**o) No utilice la herramienta eléctrica mientras la lleva a su lado.** El contacto accidental con el accesorio giratorio puede tirar de su ropa, acercando el accesorio al cuerpo.

**p) Limpie con regularidad los conductos de ventilación de la herramienta eléctrica.** El ventilador del motor atraerá el polvo dentro de la carcasa y la acumulación excesiva de metal en polvo puede provocar peligros eléctricos.

**q) No utilice la herramienta eléctrica cerca de materiales inflamables.** Las chispas pueden prender estos materiales.

**r) No utilice accesorios con refrigerantes líquidos.** El uso de agua u otros refrigerantes líquidos puede provocar una electrocución o descarga eléctrica.

### **Contragolpes y advertencias relacionadas**

Un contragolpe es una reacción súbita a un disco que se engancha o se atasca al girar. Al engancharse o atascarse provoca una parada rápida del disco giratorio, lo cual provoca que la unidad de corte descontrolada se mueva en la dirección opuesta a la rotación del disco en el punto en que se traba.

Por ejemplo, si un disco abrasivo se engancha o atasca en la pieza de trabajo, el borde del disco que se introduce en el punto de atascamiento puede hundirse en la superficie del material y hacer que el disco salga hacia arriba o sea expulsado. El disco puede saltar hacia el operario o lejos de él, según la dirección del movimiento del disco en el punto de atascamiento. Los discos abrasivos también se pueden romper en estas condiciones.

El contragolpe es el resultado de un mal uso de la herramienta eléctrica y/o de condiciones o procedimientos operativos incorrectos, lo cual se puede evitar tomando las precauciones adecuadas que se indican a continuación.

**a) Mantenga un agarre firme de la herramienta eléctrica y coloque el cuerpo y el brazo de manera que pueda resistir las fuerzas del contragolpe.** Utilice siempre un mango adicional, si se incluye, para el control máximo del contragolpe o la reacción de par de durante el arranque. El operario puede controlar las reacciones de par o las fuerzas del contragolpe si se toman las debidas precauciones.

**b) Nunca coloque la mano cerca del accesorio giratorio.** El accesorio puede sufrir un contragolpe sobre su mano.

**c) No coloque el cuerpo en la trayectoria del disco giratorio.** El contragolpe impulsará la herramienta en la dirección opuesta al movimiento del disco en el lugar en que se traba.

**d) Tenga cuidado especialmente al trabajar en esquinas, bordes afilados, etc. Evite que el accesorio rebote y se enganche.** Las esquinas, los bordes afilados y los rebotes suelen enganchar el accesorio giratorio y provocan una pérdida de control o un contragolpe.

**e) No conecte una sierra de cadena, una hoja para madera, un disco de diamante segmentado con un hueco periférico superior a 10 mm ni una hoja de sierra dentada.** Estas hojas provocan contragolpes frecuentes y pérdidas de control.

**f) No "atasque" el disco ni aplique una presión excesiva.** No intente realizar un corte con una profundidad excesiva. Un estrés excesivo en el disco aumenta la carga y la susceptibilidad del disco a combarse o trabarse en el corte y la posibilidad de contragolpe o rotura del disco.

**g) Cuando el disco empiece a trabarse o cuando se interrumpa un corte por cualquier razón, apague la herramienta eléctrica y manténgala quieta hasta que el disco se detenga por completo.** Nunca intente retirar el disco del corte mientras el disco siga en movimiento, ya que puede producirse un contragolpe. Investigue y corrija el estado de la máquina para eliminar la causa de atascamiento del disco.

**h) No reinicie la operación de corte en la pieza de trabajo.** Deje que el disco alcance su velocidad máxima y vuelva a introducirlo en la ranura de corte con cuidado. El disco puede atascarse, soltarse o provocar un contragolpe si se reinicia la herramienta eléctrica dentro de la pieza de trabajo.

**i) Sujete cualquier panel o pieza de trabajo de gran tamaño para minimizar el riesgo de que el disco se atasque y se produzca un contragolpe.** Las piezas de trabajo grandes suelen ceder por su propio peso. Se deben colocar soportes por debajo de la pieza de trabajo, cerca de la trayectoria de corte y del borde de la pieza de trabajo a

ambos lados del disco.

**j) Extreme las precauciones cuando realice un "corte empotrado" en una pared u otras zonas ciegas.** El disco que sobresale puede cortar tuberías de agua o gas, cableado eléctrico u objetos que pueden provocar un contragolpe.

### (2.7) CONSEJOS PARA SU SALUD

**ADVERTENCIA:** Durante el uso de esta máquina, se pueden producir partículas de polvo. A veces, según los materiales con los que trabaje, este polvo puede ser especialmente perjudicial. Si sospecha que la pintura de la superficie del material que desea cortar contiene plomo, consulte a un profesional. No intente retirar pintura que tenga base de plomo. Solo debe hacerlo un profesional. Una vez que el polvo se ha depositado en una superficie, el contacto de la mano con la boca puede llevar a la ingestión de plomo. Incluso la exposición a niveles bajos de plomo puede causar daños irreversibles en el cerebro y el sistema nervioso. Los niños y los nonatos son especialmente vulnerables.

Tenga en cuenta el riesgo asociado a los materiales con los que trabaja para reducir el riesgo de exposición. Algunos materiales pueden producir polvo dañino para su salud. Recomendamos el uso de mascarillas reguladas con filtros reemplazables cuando utilice esta máquina.

#### **Siempre debe:**

- Trabajar en una zona bien ventilada.
- Trabajar con un equipo de seguridad aprobado, como mascarillas para el polvo diseñadas específicamente para filtrar partículas microscópicas.

**(2.8) ADVERTENCIA:** El uso de cualquier herramienta eléctrica puede provocar la expulsión de objetos contra los ojos, ocasionando daños graves en los mismos. Antes de empezar a utilizar una herramienta eléctrica, siempre póngase gafas con protección lateral o una máscara que cubra toda la cara cuando sea necesario.

### MÁS INSTRUCCIONES DE SEGURIDAD

**ADVERTENCIA:** Desconecte siempre la sierra de corte de hormigón de la red eléctrica antes de limpiar, realizar el mantenimiento o cambiar las hojas.

- **Mantenga las manos lejos de la zona de corte y de la hoja.** Si sujeta los mangos de la máquina con las dos manos, estas no podrán entrar en contacto con la hoja de corte de diamante.
- **No accione nunca el botón de bloqueo del husillo mientras la máquina está en funcionamiento.** Se podrían producir

daños graves en la máquina y podría darse una situación potencialmente peligrosa para el operario.

- **Utilice únicamente hojas de corte u otras hojas de corte aprobadas según la especificación del fabricante.**
- **Compruebe visualmente la hoja de corte antes de arrancar la máquina.** No la utilice si está agrietada, rota o doblada. Inicie la máquina con cuidado y compruebe si se producen ruidos inusuales, vibración u otras anomalías.
- **Tenga cuidado al cortar metal.** El uso de la hoja de diamante para cortar metal (tubos de refuerzo incrustados en hormigón) acortará su vida útil. Utilice una hoja de corte de metal especializada en la medida de lo posible.
- **Deje que la hoja de corte alcance su velocidad total antes de empezar a cortar.** Empezar a trabajar solo cuando se haya alcanzado la velocidad máxima.
- **No utilice demasiada fuerza.** El uso de fuerza excesiva sobrecarga el motor y reduce la eficacia de trabajo y la vida útil.
- **Corte solo hormigón, baldosas o piedra para una profundidad de corte máxima de 50 mm o menos.** Si la profundidad de corte que se necesita finalmente es superior a 50 mm, corte la pieza de trabajo de 2 o 3 veces. Si se intenta abordar una profundidad de corte superior a 50 mm de una sola pasada, la vida útil de la hoja de corte puede reducirse y causar daños en el motor.
- **Instale la cubierta del orificio de extracción de polvo cuando no se esté utilizando una manguera de recogida de polvo.** Se pueden generar chispas durante las operaciones de corte. Cubra el orificio de extracción de polvo con su tapón de goma y asegúrese de llevar gafas de protección.
- **Nunca utilice un perno de eje ni bordes de hoja dañados o incorrectos.** Los bordes de la hoja y el perno del eje se han diseñado especialmente para su máquina y proporcionarán un rendimiento óptimo durante las operaciones de corte.
- **Esta máquina está equipada con el enchufe moldeado y cable de alimentación correctos para el país de uso previsto.** No altere ni modifique el enchufe ni el cable eléctrico bajo ningún concepto. Si los hilos del cable de alimentación o el enchufe están dañados, sustitúyalos con repuestos originales y encargue el trabajo a un técnico competente.
- **Siempre que sea posible, utilice un método de control del polvo al cortar hormigón: extracción de polvo o supresión con agua, según**

**proceda.** Al usar extractores de polvo con las cortadoras de disco de Evolution, asegúrese de que estén clasificados como clase M o clase H al cortar hormigón.

**ADVERTENCIA:** Esta máquina no se debe utilizar para cortar ningún material que pueda contener amianto. Si se sospecha de la presencia de amianto, consulte a las autoridades pertinentes.

#### EPI (Equipo de Protección Individual)

**Nota:** si este equipo se utiliza en una obra, es importante que el operario cumpla cualquier normativa o norma de la obra pertinente. Consulte al capataz u a otra persona responsable para disponer de más información.

- **Utilice ropa adecuada.** Esto podría incluir un mono o mono acolchado y una chaqueta que se pueda ver claramente.
- **Utilice calzado adecuado.** Se recomienda calzado de seguridad con punteras de acero y suelas antideslizantes.
- **Utilice gafas de protección adecuadas.** Se recomiendan gafas con protección lateral u una máscara que cubra toda la cara.
- **Proteja sus oídos.** Lleve protección adecuada para los oídos.
- **Utilice guantes adecuados.** Se recomiendan guantes de agarre.
- **Utilice protección respiratoria.** Se recomienda una máscara antipolvo con filtros reemplazables que proteja contra el polvo fino tóxico, fibras y vapores.
- **Utilice un casco de seguridad.** El uso de un casco de seguridad puede ser obligatorio en algunas obras, con el fin de proteger al operario de posibles peligros situados por encima del mismo.

#### (4.1) PRIMEROS PASOS - DESEMBALAJE

**Precaución:** Esta caja contiene objetos punzantes. Ábrala con cuidado. Saque la máquina del embalaje junto con los accesorios incluidos. Compruebe bien que la máquina está en buenas condiciones y que cuenta con todos los accesorios especificados en este manual. Asegúrese también de que todos los accesorios están completos. Si falta alguna pieza, la máquina o accesorios, devuélvala todo a su distribuidor en su embalaje original. No tire el embalaje y consérvelo durante todo el período de garantía. Deseche el embalaje respetando la normativa de medio ambiente. Si es posible, recíclalo. No deje que los niños jueguen con las bolsas de plástico vacías, debido al riesgo de asfixia.

#### (4.2) ELEMENTOS INCLUIDOS

DESCRIPCIÓN	CANTIDAD
Manual de instrucciones	1
Hoja*	1
Multiherramienta (ajustes)	1
Chasis con ruedas	1
Tapón de goma (orificio de extracción)	1
Conector de manguera (R300DCT+)	1

\* Algunos modelos no incluyen hoja. Para más información, consulte la tabla de especificaciones.

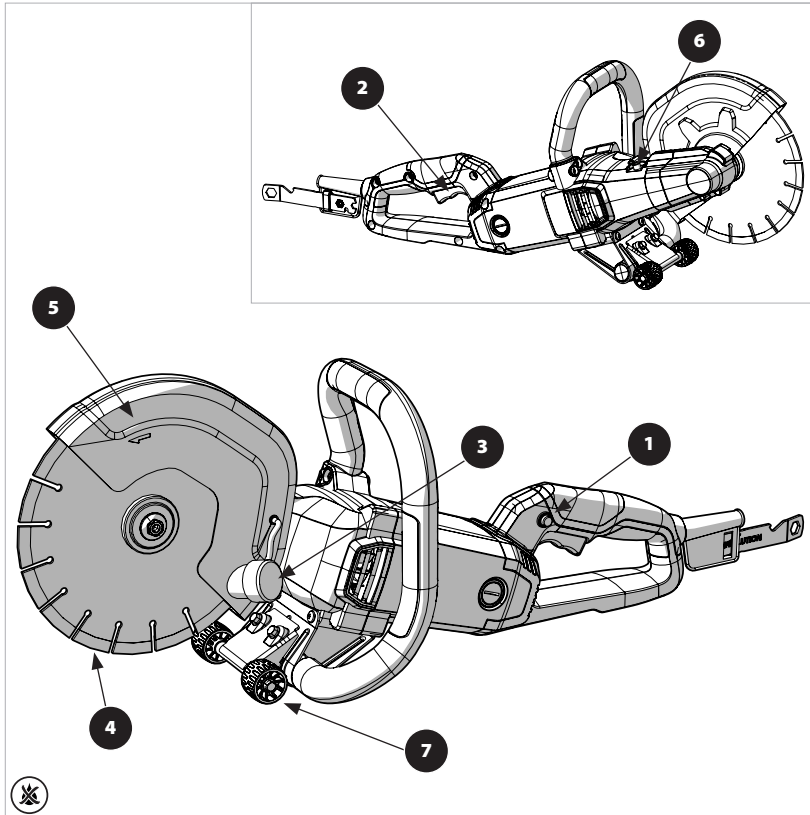
#### (4.3) OTROS ACCESORIOS

Además de los elementos estándar incluidos con esta máquina, le proponemos los siguientes accesorios, que encontrará en la tienda online de Evolution en <http://www.evolutionpowertools.com/es/> o en su distribuidor local.

#### (4.4)

DESCRIPCIÓN	N.º DE PIEZA
Hojas de corte especializadas disponibles	Consulte en el número de asistencia de Evolution para más información y detalles
Botella de agua para la bomba de mano	Consulte en el número de asistencia de Evolution para más información y detalles
Botella de agua para la bomba de pie	Consulte en el número de asistencia de Evolution para más información y detalles
Maletín de transporte	Consulte en el número de asistencia de Evolution para más información y detalles
Adaptadores para colector de polvo	Consulte en el número de asistencia de Evolution para más información y detalles
Kit de corte en húmedo (para convertir R300DCT)	Consulte en el número de asistencia de Evolution para más información y detalles

## DESCRIPCIÓN GENERAL DE LA MÁQUINA R230DCT



1. Botón de bloqueo de seguridad

2. Gatillo interruptor

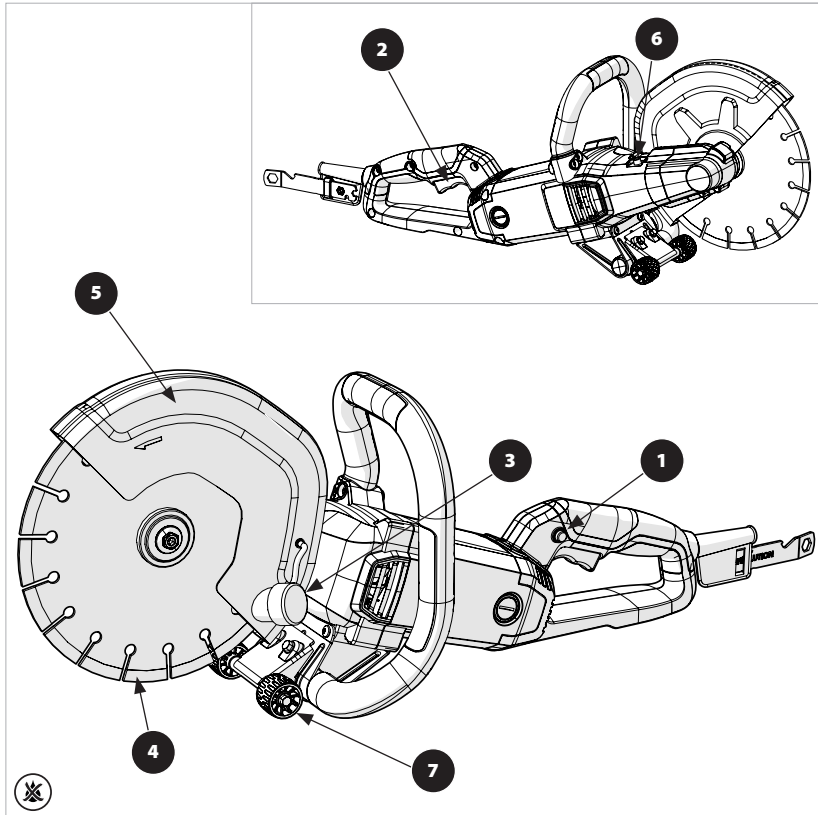
3. Canal de extracción de polvo

4. Disco de corte

5. Protección de la hoja

6. Botón del seguro del eje

7. Chasis con ruedas

**DESCRIPCIÓN GENERAL DE LA MÁQUINA R255DCT**

**1.** Botón de bloqueo de seguridad

**2.** Gatillo interruptor

**3.** Canal de extracción de polvo

**4.** Disco de corte

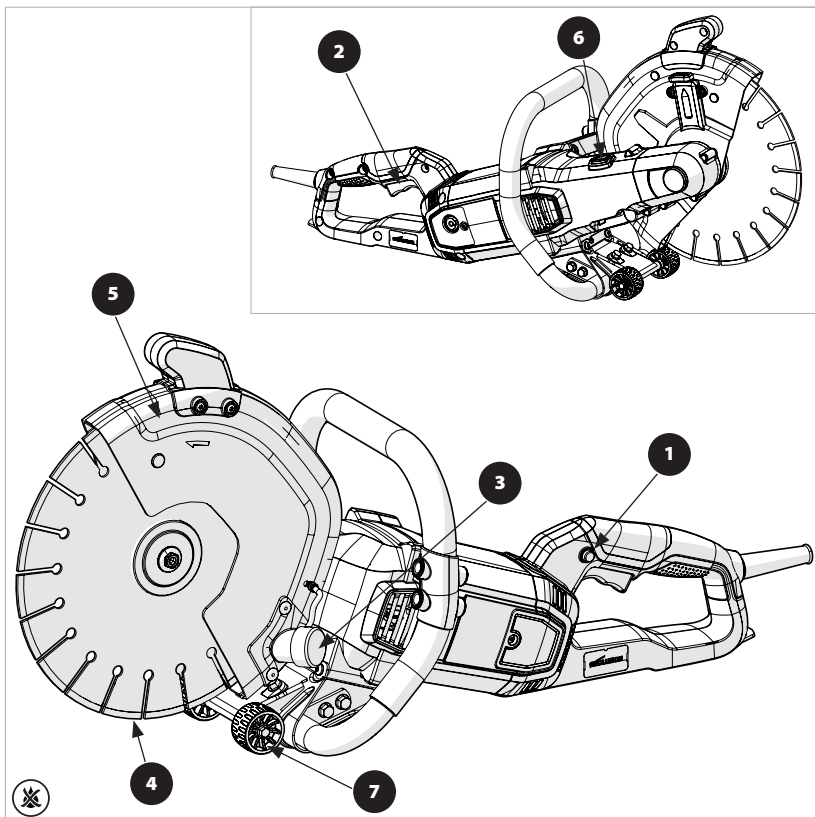
**5.** Protección de la hoja

**6.** Botón del seguro del eje

**7.** Chasis con ruedas



## DESCRIPCIÓN GENERAL DE LA MÁQUINA R300DCT



1. Botón de bloqueo de seguridad

2. Gatillo interruptor

3. Canal de extracción de polvo

4. Disco de corte

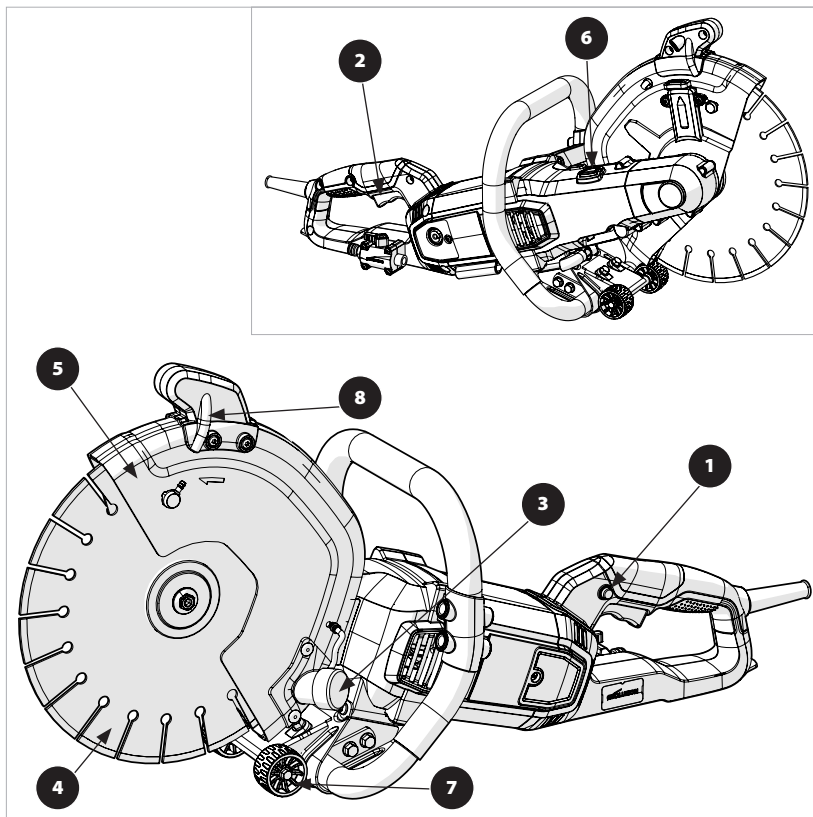
5. Protección de la hoja ajustable

6. Botón del seguro del eje

7. Chasis con ruedas

ES

**DESCRIPCIÓN GENERAL DE LA MÁQUINA R300DCT+**



**1.** Botón de bloqueo de seguridad

**2.** Gatillo interruptor

**3.** Canal de extracción de polvo

**4.** Disco de corte

**5.** Protección de la hoja ajustable

**6.** Botón del seguro del eje

**7.** Chasis con ruedas

**8.** Alimentación de agua

### **DESCRIPCIÓN GENERAL**

Las sierras de corte de hormigón de Evolution se han diseñado para incorporar muchas características de diseño únicas que ahorran tiempo. Algunas de estas características son comunes en toda la gama.

Consulte la sección de las especificaciones de estas instrucciones de uso para identificar las características específicas que se pueden encontrar en una máquina en particular.

**OTROS MERCADOS:** Otras máquinas se suministran con bordes de hoja que pueden adaptarse a hojas con un orificio de eje de  $\varnothing 20$  mm ( $\varnothing 3/4"$ ) o  $\varnothing 22,2$  ( $\varnothing 7/8"$ ), según cómo se instalen los bordes.

### **Características compartidas:**

- Gatillo interruptor «ON/OFF» de inicio de seguridad
- Mango frontal y trasero ergonómicos y ampliamente separados que proporcionan un mejor control al usuario y garantizan la seguridad.
- El equilibrio de peso óptimo entre el mango frontal y posterior aumenta la comodidad y reduce el cansancio del operario.
- Mango frontal y trasero aislados eléctricamente de las piezas metálicas de la máquina.
- Capacidad de extracción de polvo.
- Cable eléctrico recubierto de goma de calidad.
- Placa deslizante de acero reforzado.
- Chasis con ruedas separable.
- Herramienta de ajuste multifunción
- Compartimento para herramientas integrado
- Escobillas del motor reemplazables

**Nota:** En caso necesario, consulte las características específicas de la máquina en este manual.

### **BORDES DE LA HOJA**

**EE. UU.** Las máquinas dirigidas al mercado estadounidense se suministran con bordes de hoja adaptados a hojas con un orificio de eje de  $\varnothing 25,4$  mm ( $\varnothing 1"$ ) para hojas de 12" y de orificio de eje de  $\varnothing 22,2$  ( $\varnothing 7/8"$ ) para hojas de 9 y 10".

**INSTALACIÓN DE UNA HOJA DE CORTE.**  
**(Hojas con orificios de Ø20 mm Ø22,2 mm y Ø25,4 mm)**

**ADVERTENCIA:** Desconecte siempre la máquina del suministro eléctrico antes de intentar instalar o retirar una hoja.

- Compruebe que el eje de la máquina y los bordes de la hoja están limpios y libres de polvo o residuos.
- Compruebe que la dirección de rotación marcada en la hoja coincide con la dirección de rotación marcada en la protección de la máquina.
- Instale el borde de la hoja **(a)** en el lado interior de la hoja. **(Fig. 1)**
- Instale la hoja tomando como referencia la dirección de rotación de las flechas.
- Instale el borde exterior de la hoja **(b)** e introduzca el perno del eje **(c)** en el eje de la máquina, para la máquina correspondiente. **(Fig. 1)**

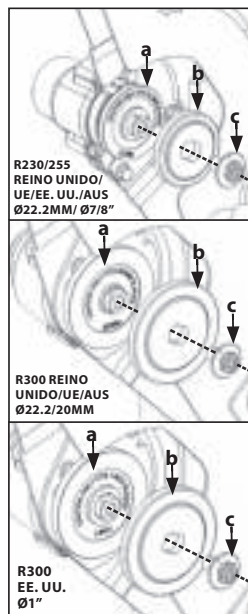
**Todas las máquinas:**

- Presione el bloqueo del eje para bloquear el eje de la máquina. **(Fig. 2)**
- Apriete el perno del eje con la multiherramienta incluida. **(Fig. 3)**
- Suelte el bloqueo del eje.
- Gire la hoja a mano con cuidado y compruebe que está segura, está colocada correctamente en los bordes de la hoja y gira libremente.

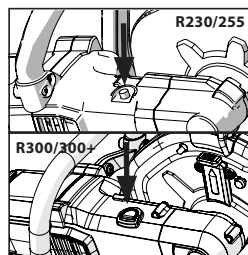
**RETIRAR DE UNA HOJA DE CORTE**

**(Todas las máquinas de Evolution)**

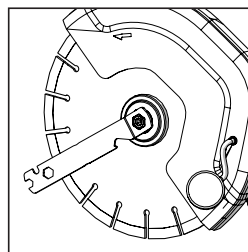
- Presione el bloqueo del eje para bloquear el eje de la máquina.
- Suelte y retire el perno del eje con la multiherramienta incluida.
- Retire la arandela exterior y el borde de la hoja.
- Retire la hoja.
- En caso necesario, retire el borde interior de la hoja para revisarlo y/o limpiarlo.



**FIG. 1**



**FIG. 2**



**FIG. 3**

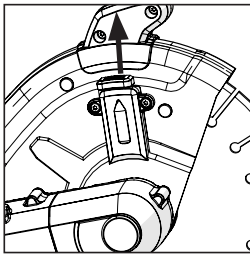


FIG. 4

### PROTECCIÓN DE LA HOJA AJUSTABLE (R300 DCT+ y R300 DCT)

La protección de la hoja de estas máquinas es ajustable. Se debe colocar para proporcionar al operario la mejor combinación de protección personal y visibilidad de la línea de corte.

**Nota:** Las máquinas R255 DCT y R230 DCT están equipadas con protecciones de hoja fija.

**Para ajustar la protección de la hoja:**

**ADVERTENCIA:** Desconecte la máquina del suministro eléctrico antes de recolocar la protección de la hoja.

- Active el sistema de bloqueo de la protección de la hoja tirando del seguro hacia arriba. (Fig. 4)
- Gire la protección de la hoja hasta la posición óptima con el mango de rotación de la protección de la hoja. (Fig. 5)
- Suelte el seguro.
- Compruebe la seguridad de la protección de la hoja.

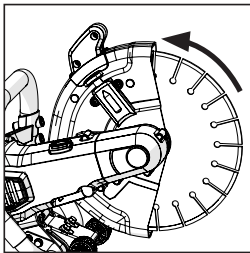


FIG. 5

### SISTEMA DE ELIMINACIÓN DE POLVO (Máquina R300 DCT+)

La R300 DCT+ está equipada con un sistema de eliminación de polvo. Este sistema suministra un chorro de agua con la misma presión y volumen a ambos lados de la hoja.

**Nota:** La R300 DCT se ha preparado anteriormente y se puede modernizar con el sistema de eliminación de polvo. Consulte a con su proveedor o llame al número de asistencia de Evolution para disponer de más información.

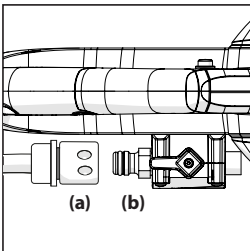


FIG. 6a &amp; b

**Utilizar el sistema de eliminación de polvo:**

- Conecte una manguera desde el suministro de agua hasta la sierra. El suministro de agua puede ser un grifo de agua conectado a la red de suministro o un sistema de botella de agua de Evolution.
- Presione el conector de manguera (Fig. 6A) contra el adaptador de manguera de la válvula de agua (Fig. 6B). Se oirá un clic, el conector de manguera estará asegurado.
- Una vez conectada al suministro de agua, presurice el agua bombeando la botella o abriendo el grifo.
- Abra la válvula de agua para suministrar agua a la hoja. La tasa de flujo se puede ajustar mediante la válvula de agua de la sierra. (Fig. 6c)
- Una vez realizado el corte, apague la máquina y la válvula de agua (3) para detener el flujo de agua a la hoja.
- Desconecte la sierra del suministro de agua empujando hacia atrás el collar de liberación del conector de manguera.

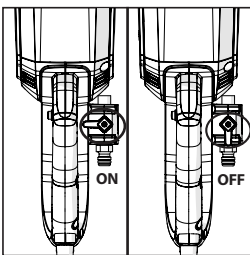


FIG. 6c

**Nota:** Ajuste el sistema para que solo se suministre el agua suficiente y eliminar bien el polvo creado durante el proceso de corte.

**ADVERTENCIA:** Asegúrese de que cualquier suministro de agua a la máquina es de una longitud adecuada. Las mangueras se deben tender sin que supongan un riesgo de tropiezo o accidente.

**ADVERTENCIA:** Mantenga el líquido alejado de la herramienta y de cualquier persona que se encuentre en la zona de trabajo.

**Nota:** La máxima presión permitida del suministro de líquido es 5,5 bar.

**Nota:** Cuando no se utilice, drene el agua residual de la manguera. Mantenga el depósito y las piezas limpios y sin residuos.

**Hay un dispositivo de corriente residual (RCD)** equipado en la R300DCT+. Para el funcionamiento del dispositivo de corriente residual, siga estas instrucciones:

- Cuando se enchufa la sierra al dispositivo de corriente residual debe realizarse un reseteo antes de encender la sierra.
- Enchufe la sierra, pulse el botón de reseteo del dispositivo de corriente residual y escuchará un clic. **(Fig. 7a)**
- La ventana indicadora cambiará a ROJO para mostrar que la corriente está encendida. **(Fig. 7b)**
- Para probarlo, pulse el botón TEST. De nuevo, se oirá un clic y la ventana indicadora cambiará a negro para mostrar que la corriente está apagada. **(Fig. 7c)**
- Pulse de nuevo el botón de reseteo para resetear y utilizar la sierra.

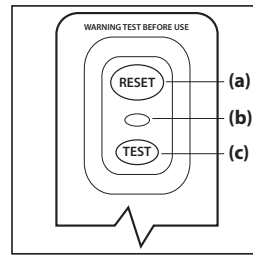
**Nota:** Si se activa el dispositivo de corriente residual durante el uso, solo tiene que pulsar RESET.

**CHASIS DE DOS RUEDAS  
(Todas las máquinas de Evolution)**

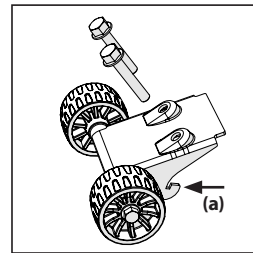
En todas las máquinas se incluye un chasis de dos ruedas **(Fig. 8)**. Cuando está equipado **(Fig. 9)**, puede proporcionar estabilidad adicional útil (y comodidad del operario), sobre todo al cortar en horizontal y a nivel del suelo. También asegurará que la hoja de corte no toque la superficie del suelo, etc. cuando se apoye la máquina para descansar entre cortes.

Para instalar el chasis:

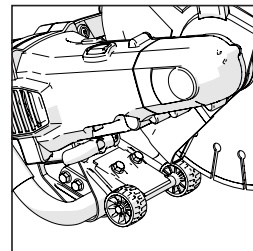
- Introduzca los ganchos **(Fig 8a)** en las ranuras del lado inferior de la placa deslizante.
- Utilice los pernos incluidos del chasis para asegurar el carro a la máquina. **(Fig. 10)**



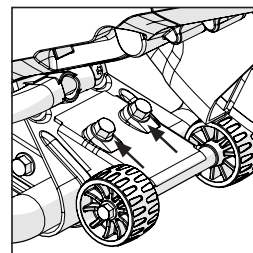
**FIG. 7**



**FIG. 8**



**FIG. 9**



**FIG. 10**

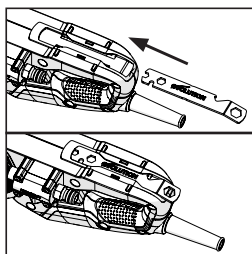


FIG. 11

### COMPARTIMENTO PARA HERRAMIENTAS INTEGRADO

Todas las máquinas de Evolution incluyen un compartimento integrado para la multiherramienta suministrada.

#### R300 DCT+ y R300 DCT

Hay un compartimento de almacenamiento debajo del mango de la máquina.

(Fig. 11)

#### R225 DCT y R230 DCT

El almacenamiento se encuentra en un compartimento incorporado en tubo de refuerzo del cable eléctrico. (Fig.12)

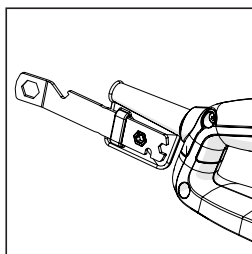


FIG. 12

### CONEXIÓN DE UNA MÁQUINA DE EXTRACCIÓN DE POLVO. (Todas las máquinas de Evolution)

**ADVERTENCIA:** El polvo puede ser muy peligroso. Recomendamos encarecidamente usar una máquina de extracción de polvo adecuada (no incluida) con estas máquinas para mantener el lugar de trabajo lo más limpio y seguro posible.

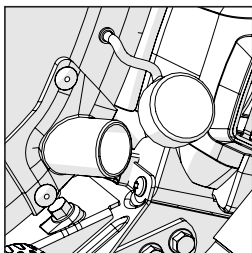


FIG. 13

La manguera de conexión de la máquina de extracción de polvo se debe unir al orificio de extracción de polvo en la protección de la hoja.

- Retire el tapón de goma del orificio de extracción de polvo (Fig. 13) y guárdelo en un lugar seguro para volver a colocarlo en el futuro.
- Empuje la manguera de conexión desde la máquina de extracción hasta el orificio de extracción usando un adaptador adecuado. (Fig. 14)
- Siga las instrucciones suministradas con la máquina de extracción de polvo.
- Asegúrese de que la manguera y el cable eléctrico de una máquina de extracción conectada no suponen un peligro de tropiezo ni de ninguna otra clase.
- Cuando ya no se necesite la máquina de extracción de polvo, retírela de la sierra de corte de hormigón y vuelva a colocar el tapón de goma en el orificio de extracción de polvo.

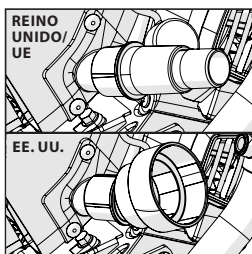


FIG. 14

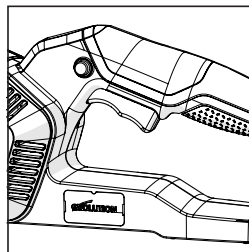
**NOTA:** Cuando se utilicen extractores de polvo con las cortadoras de disco de Evolution, compruebe que estén clasificados como clase M o clase H al cortar hormigón.

### **EL GATILLO INTERRUPTOR ON/OFF (Fig. 15) (Todas las máquinas de Evolution)**

**Nota:** Estas máquinas están equipadas con un gatillo interruptor de inicio de seguridad.

#### **Para encender la máquina:**

- Pulse el botón del bloqueo de seguridad a un lado del mango con el pulgar.
- Suelte el gatillo interruptor principal para encender el motor.



**FIG. 15**

**ADVERTENCIA:** Nunca encienda la sierra con el borde cortante de la hoja de la corte en contacto con la superficie de la pieza de trabajo.

#### **CONSEJOS PARA CORTAR**

**Nota:** Evolution Power Tools no tiene control de cómo se puede utilizar su equipo, de manera que se dan las siguientes directrices (no exhaustivas) para ayudar a los operarios a usar el equipo de una forma segura y eficaz.

#### **COMPROBACIONES ANTES DEL CORTE**

- Asegúrese de que el suministro eléctrico coincide con los requisitos especificados en la placa de características de la máquina.
- Asegúrese de que el gatillo interruptor de la máquina está en la posición «OFF». Si se conectase la máquina a una fuente de corriente con el gatillo interruptor en la posición «ON», la máquina puede empezar a funcionar inmediatamente, pudiendo producirse un accidente grave.
- Si se necesita un alargador, debe ser de un tipo adecuado para el entorno de trabajo. Si se usa en exteriores, debe ser resistente al agua y estar debidamente certificado.
- Seguir las instrucciones de los fabricantes en el momento de utilizar un alargador.
- Extender el alargador de modo que no suponga un peligro de tropiezo (ni de ningún otro tipo) para el operario, sus compañeros o cualquier persona presente.



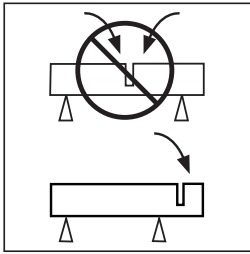


FIG. 16

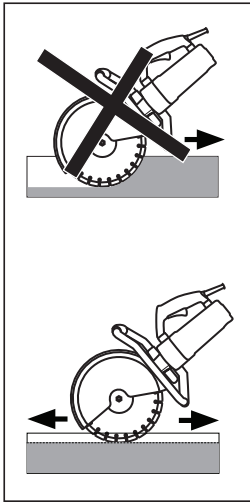


FIG. 17

### PROCEDIMIENTOS DE CORTE

Marque todas las líneas de corte en la pieza de trabajo con los medios adecuados: lápiz, pintura, tiza, etc. Todas las líneas de corte deben ser claras y ser fácilmente visibles.

- Si es posible, apoye la pieza de trabajo para que se pueda controlar el trabajo y el corte permanezca estable y abierto mientras se corta. **(Fig. 16)**
- Alinee la hoja de corte con las líneas de corte previamente marcadas. Asegúrese de que la hoja de corte no toca la pieza de trabajo antes de empezar las operaciones de corte.
- Encienda la máquina y deje que la hoja alcance su velocidad operativa máxima.
- Acerque suavemente la hoja a la pieza de trabajo. El rendimiento es mejor cuando se hace un corte recto hacia delante a lo largo de la línea de corte marcada previamente. No corte a una profundidad superior a 50 mm (2"). **(Fig. 17)**
- Si se necesita un corte de más de 50 mm (2"), hágalo en varias veces.
- Corte con suavidad, dejando que la máquina haga el trabajo sin forzar la hoja.

**ADVERTENCIA:** No intente cortar líneas curvadas o en zigzag. Nunca utilice el lateral de la hoja como superficie de corte. Nunca lo utilice para realizar cortes inclinados.

- Mueva la hoja despacio hacia delante y hacia atrás e intente conseguir una pequeña zona de contacto entre la hoja y la pieza de trabajo que se está cortando. Esto reduce la temperatura de la hoja y asegura un corte eficaz.
- Si la hoja se atasca o escucha un ruido extraño, apague la máquina inmediatamente y busque la causa. Determine la causa de cualquier ruido u obstrucción. Reinicie el corte únicamente si es seguro hacerlo.
- Acerque la máquina hacia abajo, alineada con la hoja. La presión lateral en la hoja puede dañarla y puede resultar peligroso.

## MANTENIMIENTO

**ADVERTENCIA:** cualquier actividad de mantenimiento se debe llevar a cabo con la máquina apagada y desconectada de la red de suministro de energía eléctrica.

Compruebe con regularidad que todas las características de seguridad y las protecciones están funcionando correctamente. Solo utilice esta máquina si las protecciones o características de seguridad funcionan debidamente.

Todos los cojinetes del motor de esta máquina están lubricados de forma permanente. No es necesario volver a lubricarlos.

Utilice un paño limpio y ligeramente húmedo para limpiar las partes de plástico de la máquina. No utilice disolventes ni productos similares que podrían dañar las partes de plástico o goma.

Retirar la hoja de la máquina permite acceder al interior de la protección de la hoja. Cualquier acumulación de residuos etc. se puede eliminar usando un rascador como no metálico o una herramienta similar (no suministrada).

**ADVERTENCIA:** No intente limpiar la máquina introduciendo objetos puntiagudos a través de las aberturas de las cubiertas de la máquina, etc. Los conductos de ventilación se deben limpiar con aire comprimido seco. Respete todas las precauciones necesarias de salud y seguridad al utilizar aire comprimido como medio de limpieza.

El exceso de chispas puede indicar que el motor está sucio o las escobillas de carbono están desgastadas.

En caso de sospecha, lleve la máquina al servicio técnico para que el personal cualificado cambie las escobillas.

## PROTECCIÓN MEDIOAMBIENTAL

Los productos eléctricos no se deben tirar con la basura doméstica. Recicle en los lugares destinados a ello. Consulte a la autoridad local o el vendedor para obtener más información sobre el reciclaje.



## DECLARACIÓN DE CONFORMIDAD



El fabricante del producto incluido en esta declaración es el siguiente:

**Reino Unido:** Evolution Power Tools Ltd. Venture One, Longacre Close, Holbrook Industrial Estate, Sheffield, S20 3FR.

**FR:** Evolution Power Tools SAS. 61 Avenue Lafontaine, 33560, Carbon-Blanc, Bordeaux, Francia.

El fabricante declara que la máquina, tal y como se detalla en la presente declaración, cumple todas las disposiciones pertinentes de la Directiva de Máquinas y otras directivas apropiadas, tal y como se especifica a continuación. Asimismo, el fabricante declara que la máquina, tal y como se indica detalladamente en la presente declaración, en los casos en los que sea aplicable, cumple con las disposiciones pertinentes sobre los requisitos esenciales de seguridad y salud.

### Las Directivas incluidas en esta declaración se detallan a continuación:

<b>2006/42/EC.</b>	Directiva de máquinas.
<b>2014/30/EU.</b>	Directiva de Compatibilidad Electromagnética.
<b>2011/65/EU. &amp; 2015/863/EU.</b>	Directiva de Restricciones a la Utilización de ciertas Sustancias Peligrosas en Aparatos Eléctricos y Electrónicos (RoHS).
<b>2002/96/EC.</b>	modificada por la Directiva de Residuos de Aparatos Eléctricos y Electrónicos (WEEE) 2003/108/CE.

### Asimismo, es conforme con los requisitos aplicables de los siguientes documentos:

**EN 60745-1/A11:2010 • EN 60745-2-22: 2011+A11: 2013 • EN 55014-1: 2017 • EN 55014-2: 2015 • EN IEC 61000-3-2:2019 • EN 61000-3-3:2013+A1:2019**

### Detalles del producto

Descripción:	Cortadora de disco eléctrica de 230 mm (9") <b>R230DCT</b> de Evolution Cortadora de disco eléctrica de 255 mm (10") <b>R255DCT</b> de Evolution Cortadora de disco eléctrica de 300 mm (12") <b>R300DCT</b> de Evolution Cortadora de disco eléctrica de 300 mm (12") <b>R300DCT+</b> de Evolution
Marca comercial:	Evolution Build
Voltaje:	110V ~ 50Hz 220-240V ~ 50Hz Entrada: 110V: 1600/2000W 230-240V: 2400W / 2000W

La documentación técnica necesaria para demostrar que el producto cumple con los requisitos de la directiva se ha elaborado y está disponible para su consulta por parte de las autoridades pertinentes, garantizándose que nuestro archivo técnico contiene los documentos enumerados anteriormente y que estas son las normas correctas para el producto, tal y como se ha detallado antes.

### Nombre y dirección del titular de la documentación técnica.

Firmado:		Impresión: Barry Bloomer CEO
Fecha:		19/05/20

**UK:** Evolution Power Tools Ltd. Venture One, Longacre Close, Holbrook Industrial Estate, Sheffield, S20 3FR.  
**FR:** Evolution Power Tools SAS. 61 Avenue Lafontaine, 33560, Carbon-Blanc, Bordeaux, France.

**Ce manuel d'instructions a été initialement rédigé en anglais.**

### **IMPORTANT**

Veuillez lire attentivement ces consignes d'utilisation et de sécurité dans leur intégralité. Pour votre propre sécurité, si vous avez des doutes concernant un aspect de l'utilisation de ce matériel, veuillez contacter l'assistance technique appropriée dont le numéro se trouve sur le site Internet d'Evolution Power Tools. Nous assurons différentes lignes d'assistance téléphoniques au sein de notre organisation à l'échelle mondiale, mais de l'aide technique est également disponible auprès de votre fournisseur.

### **SITE WEB**

**www.evolutionpowertools.com**

**Félicitations pour votre achat d'un appareil d'Evolution Power Tools. Veuillez enregistrer votre produit « en ligne » comme expliqué dans la brochure A4 d'enregistrement en ligne de la garantie fournie avec la machine. Vous pouvez également scanner le code QR situé sur la brochure A4 à l'aide d'un smartphone. Cela vous permettra de valider la période de garantie de la machine via le site Internet d'Evolution en saisissant vos coordonnées, ce qui vous garantira un service rapide si nécessaire. Nous vous remercions sincèrement d'avoir choisi un produit de la gamme d'Evolution Power Tools.**

**GARANTIE LIMITÉE D'EVOLUTION. Evolution Power Tools se réserve le droit de modifier et d'améliorer le produit, sans avis préalable.**

**Veuillez vous reporter à la brochure de l'enregistrement de la garantie et/ou l'emballage pour les détails des modalités et des conditions de la garantie.**

Durant la période de la garantie à compter de la date d'achat d'origine, Evolution Power Tools réparera ou remplacera toute marchandise présentant un défaut de matériau ou de fabrication. Cette garantie ne s'applique pas si la machine renvoyée a été utilisée de manière non conforme au manuel d'instructions ou si elle a été endommagée par accident, par négligence ou en raison d'un entretien inadéquat. Cette garantie ne s'applique pas aux machines et/ou composants qui ont été altérés, changés ou modifiés de quelque manière que ce soit, ou sujets à une utilisation contraire aux capacités et spécifications recommandées. Les composants électriques sont soumis à la garantie de leurs fabricants respectifs. Toute marchandise retournée pour cause de défaut doit être envoyée en port prépayé à Evolution Power Tools. Evolution Power Tools se réserve le droit de réparer l'outil ou de le remplacer par un produit identique ou équivalent. Les accessoires consommables tels que (la liste suivante n'est pas exhaustive) lames, fraises, perceuses, ciseaux, palettes, etc. ne font l'objet d'aucune garantie, écrite ou verbale. Evolution Power Tools ne pourrait en aucun cas être tenu responsable de la perte ou des dégâts résultant directement ou indirectement de l'utilisation de notre marchandise ou de toute autre cause. Evolution Power Tools ne peut être tenu responsable de tous frais engagés sur de tels biens ou de tous dommages indirects. Aucun dirigeant, employé ou mandataire de Evolution Power Tools n'est autorisé à présenter des déclarations de conformité verbales ou à renoncer à n'importe laquelle des conditions de vente qui précèdent et aucune de ces actions n'engage Evolution Power Tools.

**Les questions relatives à cette garantie limitée doivent être adressées au siège de l'entreprise. Vous pouvez également appeler la ligne d'assistance concernée.**

## CARACTÉRISTIQUES

CARACTÉRISTIQUES DE LA MACHINE	R230DCT		R255DCT		R300DCT		R300DCT+	
Code produit RU/EU/AUS	009-0001, 009-0002, 009-0003, 009-0006,	009-0001X, 009-0002X, 009-0003X, 009-0006X	010-0001, 010-0002, 010-0003, 010-0006,	010-0001X, 010-0002X, 010-0003X, 010-0006X	012-0001, 012-0002, 012-0003, 012-0006,	012-0001X, 012-0002X, 012-0003X, 012-0006X	012-0001A, 012-0002A, 012-0003A, 012-0006A,	012-0001AX, 012-0002AX, 012-0003AX, 012-0006AX
Code produit USA	009-0004	009-0004X	010-0004	010-0004X	012-0004	012-0004X	012-0004A	012-0004AX
Moteur EU/RU/AUS (220-240V ~ 50Hz)	2000W		2000W		2400W		2400W	
Moteur EU/RU (110V ~ 50Hz)	1600W		1600W		1600W		2000W	
Moteur USA (120V ~ 60Hz)	15A		15A		15A		15A	
Vitesse nominale (min <sup>-1</sup> )	6000		6000		110V - 4400 120V - 4600 220-240V - 5090		110V - 4400 120V - 4600 220-240V - 5090	
Cycle de service maximal recommandé	20 min							
Poids	7.1kg		7.3kg		9.7kg		9.7kg	
Longueur du câble	3m (10pieds)		4m (13pieds)		3m (10pieds) AUS 4m (13pieds)		4m (13pieds)	
Capacité de coupe à 90°	90mm (3-1/2")		102.5mm (4-1/16")		115mm (4-1/2")		115mm (4-1/2")	
<b>LAME</b>								
Lame fournie	Diamant standard	Pas De Lame Inclus	Diamant standard	Pas De Lame Inclus	Diamant standard	Pas De Lame Inclus	Diamant de qualité supérieure	Pas De Lame Inclus
Diamètre	230mm (9")		255mm (10")		300mm (12")		300mm (12")	
Alésage RU et UE	22.2mm		22.2mm		22.2 / 20mm		22.2 / 20mm	
UAlésage USA	7/8"		7/8"		1"		1"	
<b>NIVEAUX SONORES ET VIBRATOIRES</b>								
SPression acoustique maximale L <sub>PA</sub>	98.0dB(A) K=3dB(A)							
Niveau de puissance acoustique maximal L <sub>WA</sub>	109.0dB(A) K=3dB(A)							
Niveau maximal de vibration dans la poignée	6.15m/s <sup>2</sup> K=1.5m/s <sup>2</sup>							

**Remarque :** La mesure des vibrations a été effectuée dans des conditions standard conformément à : BS EN 60745-1:2009+A11: 2010

La valeur de vibrations totale déclarée a été mesurée conformément à une méthode d'essai standard et peut être utilisée pour comparer un outil avec un autre.

La valeur totale des vibrations déclarée peut également être utilisée lors d'une évaluation préliminaire d'exposition.

### VIBRATION

**AVERTISSEMENT :** Lors de l'utilisation de cette machine, l'opérateur peut être exposé à de hauts niveaux de vibrations transmises à sa main et à son bras. L'opérateur est susceptible de développer le syndrome de Raynaud. Ce syndrome peut diminuer la sensibilité de la main à la température et provoquer un engourdissement général. Les personnes utilisant cette machine de manière régulière ou prolongée doivent surveiller attentivement l'état de leurs mains et de leurs doigts.

Si l'un des symptômes devient apparent, consultez immédiatement un médecin.

- La mesure et l'évaluation de l'exposition de l'être humain aux vibrations transmises par les mains en milieu professionnel sont précisées dans les normes suivantes :  
**BS EN ISO 5349-1:2001 et BS EN ISO 5349-2:2002**
- Plusieurs facteurs peuvent influencer le niveau de vibration effectif lors de l'utilisation, comme l'état et l'orientation des surfaces de travail et le type et l'état de la machine utilisée. Avant chaque utilisation, vous devez évaluer ces facteurs et, si possible, adopter des pratiques professionnelles appropriées. La gestion de ces facteurs peut aider à réduire les effets des vibrations:

### Manipulation

- Manipulez la machine avec soin en lui laissant faire le travail.
- Évitez les efforts physiques excessifs sur toutes les commandes de la machine.
- Prenez en considération votre sécurité et votre stabilité ainsi que l'orientation de la machine durant son utilisation.

### Surface de travail

- Prenez en considération le matériau de la surface de travail; son état, sa densité, sa solidité, sa rigidité et son orientation.

**AVERTISSEMENT :** L'émission de vibrations durant l'utilisation effective de l'outil électrique peut différer de la valeur totale déclarée en fonction de la manière dont l'outil est utilisé. Il est nécessaire d'identifier les mesures de sécurité à adopter et de protéger l'opérateur en fonction d'une estimation de l'exposition dans les conditions effectives d'utilisation (en tenant compte de toutes les étapes du cycle d'opération, par exemple lorsque l'outil est mis à l'arrêt, lorsqu'il tourne au ralenti, en plus du déclenchement).

### ÉTIQUETTES ET SYMBOLES

**AVERTISSEMENT :** N'utilisez pas cette machine s'il manque des étiquettes d'avertissement et/ou d'instruction ou si ces étiquettes sont endommagées. Contactez Evolution Power Tools pour le remplacement des étiquettes.

**Remarque :** Tous les symboles suivants ou certains d'entre eux peuvent apparaître dans le manuel ou sur le produit.

SYMBOLE	DESCRIPTION
V	Volts
A	Ampères
Hz	Hertz
Min <sup>-1</sup>	Vitesse
~	Courant alternatif
n	Vitesse nominale
	Avertissement !
	Lisez les instructions
	Coupe à sec uniquement <i>Uniquement applicable aux modèles R230DCT, R255DCT et R300DCT. Exclut le modèle R300DCT+.</i>
	Portez des lunettes de sécurité
	Portez des protections auditives
	Portez un dispositif de protection contre la poussière
	Portez un dispositif de protection de la tête
	Portez des gants de protection
	Portez des bottes de protection
	Gardez vos mains à l'écart. Ne placez pas votre main sur ou en dessous de la ligne marquée de ce symbole sur la poignée avant. Assurez-vous de toujours maintenir la main au-dessus de la ligne et du symbole pour assurer une distance de sécurité entre votre main et la lame. Le non-respect de cette consigne peut entraîner des blessures. <i>Applicable aux modèles R230DCT et R255DCT</i>
	Certification US
	Certification CE
	Marque de conformité réglementaire (RCM) pour les équipements électriques et électroniques. Norme australienne/néo-zélandaise.
	Certification GS
	Déchets d'équipements électriques et électroniques
	N'utilisez que des lames diamant, n'utilisez pas de lames dentées
	N'utilisez pas de lames défectueuses ou cassées
	Risque élevé d'effet de recul
	Risque d'inhalation de poussière
	Risque d'incendie. Assurez-vous que la zone environnante est exempte de matériaux inflammables.

### USAGE PRÉVU DE CET OUTIL ÉLECTRIQUE

Cette machine a été conçue pour être utilisée avec des lames Evolution. Utilisez uniquement des accessoires conçus pour l'utilisation avec cette machine et/ou ceux spécifiquement recommandés par Evolution Power Tools Ltd.

#### Cette machine, lorsqu'elle est équipée d'une lame appropriée, peut être utilisée pour découper :

Brique  
Pavage  
Bordures en pierre  
Béton et matériaux de construction connexes  
Acier  
Métaux non-ferreux  
Pierre naturelle

### USAGE PROSCRIT DE CET OUTIL ÉLECTRIQUE

**AVERTISSEMENT :** Ce produit est une scie à béton à commande manuelle et doit être utilisé uniquement en tant que tel. Il ne doit en aucun cas être modifié ou utilisé pour alimenter tout autre appareil ou entraîner tout accessoire autre que ceux mentionnés dans le présent manuel d'instructions.

**AVERTISSEMENT :** Cette machine ne doit pas être utilisée pour couper des matériaux pouvant contenir de l'amiante. Si vous suspectez la présence d'amiante, veuillez consulter les autorités compétentes pour leur demander conseil.

**AVERTISSEMENT :** Cette machine n'est pas conçue pour être utilisée par des personnes (y compris des enfants) qui ont des capacités physiques, sensorielles ou mentales réduites. Les éventuels opérateurs qui manqueraient d'expérience dans l'utilisation de cet équipement doivent recevoir une formation et travailler sous la surveillance d'une personne compétente qui connaît parfaitement les pratiques de travail nécessaires pour utiliser cet équipement en toute sécurité. Les enfants doivent être surveillés pour garantir qu'ils n'ont pas accès à cette machine et qu'ils ne sont pas autorisés à jouer avec.

### RISQUES RÉSIDUELS

Même si la machine est utilisée et entretenue correctement, il existe toujours des risques résiduels pouvant entraîner des blessures graves. En raison du type et de la nature de cette machine, les dangers potentiels suivants peuvent survenir :

- Contact avec la lame exposée (coupure)
- Contact avec la lame rotative (coupure)
- Parties de la lame projetées hors de la machine (coupure ou blessure contondante)
- Parties de la pièce à usiner projetées lors de la coupe (coupure ou blessure contondante)
- Risque d'incendie par projection d'étincelles

- Dommages auditifs en cas de non-port d'une protection auditive efficace (perte auditive)
- Inhalation de particules de poussière provenant de la pièce à usiner
- Électrocution en cas de contact avec des composants électriques non isolés.

En cas de non-respect des consignes de ce mode d'emploi, d'autres risques résiduels peuvent survenir en raison d'une mauvaise utilisation.

### SÉCURITÉ ÉLECTRIQUE

Cette machine est équipée de la fiche moulée et du câble électrique adéquats pour le marché désigné. Si le câble d'alimentation doit être remplacé, il doit être remplacé par un câble spécialement préparé disponible auprès du service d'entretien.

Si elle est endommagée, la fiche ne doit être remplacée que par des pièces de rechange d'origine Evolution et être installée par un technicien compétent.

### (2.1) CONSIGNES GÉNÉRALES DE SÉCURITÉ POUR LES OUTILS ÉLECTRIQUES

(Ces consignes générales de sécurité pour les outils électriques sont telles que spécifiées dans la norme EN 60745-1: 2009+A11: 2010)

#### AVERTISSEMENT : Lisez tous les

**avertissements de sécurité et les instructions.** Le non-respect des avertissements et des instructions peut causer des électrocutions, des incendies et/ou des blessures graves.

**Conservez tous les avertissements de sécurité et toutes les instructions pour future référence.** Dans les avertissements, le terme « outil électrique » fait référence aux outils électriques fonctionnant sur secteur (avec fil) ou sur batterie (sans fil).

#### (2.2) 1) Avertissements généraux de sécurité des outils électriques [sécurité de la zone de travail]

**a) L'espace de travail doit être propre et suffisamment éclairé.** Les espaces sombres et encombrés sont propices aux accidents.  
**b) Ne mettez pas en marche votre outil électrique dans un environnement explosif, ou en présence de liquide inflammable, de gaz ou de poussière.**

Les outils électriques produisent des étincelles qui peuvent faire enflammer la poussière ou les vapeurs.

**c) Tenez les enfants et les autres personnes présentes éloignés lorsque vous utilisez un outil électrique.** Les distractions peuvent causer une perte de contrôle.

#### (2.3) 2) Avertissements généraux de sécurité s'appliquant aux outils électriques [sécurité électrique]

**a) Les fiches des outils électriques doivent correspondre à la prise secteur utilisée.** Ne

modifiez jamais la fiche, de quelque façon que ce soit. N'utilisez jamais d'adaptateurs de fiche avec des outils reliés à la terre. Les fiches et prises non modifiées réduisent le risque d'électrocution.

**b) Évitez tout contact du corps avec des surfaces mises à la terre telles que les tuyaux, radiateurs, cuisinières et réfrigérateurs.** Le risque d'électrocution est accru si votre corps est relié à la terre.

**c) N'exposez les outils électriques ni à la pluie ni à l'humidité.** La pénétration d'eau dans ces outils accroît le risque d'électrocution.

**d) Ne malmenez pas le cordon d'alimentation.** N'utilisez jamais le cordon d'alimentation pour transporter l'outil et ne débranchez jamais l'appareil en tirant sur le cordon. Tenez le cordon à l'écart de la chaleur, de l'huile, d'objets tranchants et des pièces en mouvement. Un cordon endommagé ou emmêlé accroît le risque d'électrocution.

**e) Lors de l'utilisation d'un outil électrique en extérieur, utilisez une rallonge homologuée conçue à cet effet.** L'utilisation d'un cordon conçu pour l'usage extérieur réduit le risque d'électrocution.

**f) Si le fonctionnement de l'outil électrique dans des endroits humides est inévitable, utilisez une prise protégée par un dispositif différentiel résiduel.** L'utilisation d'un dispositif de courant différentiel résiduel (DCR) réduit le risque d'électrocution.

#### **(2.4) 3) Avertissements généraux de sécurité s'appliquant aux outils électriques [sécurité personnelle].**

**a) Restez attentif, prêtez attention au travail que vous êtes en train d'effectuer et faites preuve de bon sens lors de l'utilisation de tout outil électrique.** N'utilisez pas d'outil électrique si vous êtes fatigué ou sous l'influence de l'alcool, de drogues ou de médicaments. Un moment d'inattention pendant l'utilisation d'un outil électrique peut entraîner des blessures graves.

**b) Utilisez un équipement de protection individuelle.** Portez toujours un dispositif de protection oculaire. L'équipement de sécurité, tel qu'un masque filtrant, des chaussures de sécurité, un casque ou une protection auditive, utilisé dans des conditions appropriées réduira le risque de blessures.

**c) Veillez à éviter les démarrages imprévisibles.** Assurez-vous que l'interrupteur est en position d'arrêt avant de brancher l'outil sur une prise secteur et/ou un bloc-piles, de ramasser ou de transporter l'outil. Porter un outil avec le doigt sur son interrupteur ou brancher un outil dont l'interrupteur est en position de marche peut causer un accident.

**d) Retirez les clés de réglage ou les clés à écrous avant de mettre l'outil en marche.** Un outil ou une clé laissé sur une pièce rotative d'un outil électrique pourrait causer de graves

dommages corporels.

**e) Ne travaillez pas à bout de bras.** Gardez toujours un bon appui et un bon équilibre. Ceci permettra de mieux contrôler l'outil en cas de situation imprévue.

**f) Portez une tenue appropriée.** Ne portez ni vêtements amples, ni bijoux. Gardez vos cheveux, vêtements et gants à l'écart des pièces en mouvement. Les vêtements amples, les bijoux et les cheveux longs peuvent se prendre dans les pièces en mouvement.

**g) Si les outils sont équipés de dispositifs de dé poussiérage, assurez-vous qu'ils sont connectés et correctement utilisés.** L'usage de ces dispositifs de collecte des poussières peut réduire les dangers présentés par la poussière.

#### **(2.5) 4) Avertissements généraux de sécurité s'appliquant aux outils électriques [Utilisation et entretien des outils électriques].**

**a) N'exercez pas une force excessive sur l'outil électrique.** Utilisez l'outil approprié pour le travail. Un outil approprié exécutera le travail mieux et de façon moins dangereuse s'il est utilisé dans les limites prévues de son utilisation.

**b) N'utilisez pas l'outil électrique si l'interrupteur ne permet pas de le mettre en marche ou de l'arrêter.** Tout outil électrique qui ne peut pas être contrôlé par son interrupteur est dangereux et doit être réparé.

**c) Débranchez l'outil de sa source électrique et/ou de son bloc-piles avant d'effectuer des réglages, de changer les accessoires ou de ranger l'outil.** Ces mesures de sécurité préventives réduisent les risques de démarrage accidentel de l'outil.

**d) Lorsque vous avez fini de vous en servir, rangez les outils électriques hors de portée des enfants et empêchez les personnes qui ne connaissent pas l'outil électrique ou les présentes instructions de l'utiliser.** Les outils électriques sont dangereux lorsqu'ils sont utilisés par des personnes non initiées.

**e) Entretenez les outils électriques.** Vérifiez l'alignement ou l'attache des pièces mobiles, la rupture des pièces mobiles et toute autre condition susceptible de nuire au bon fonctionnement de l'outil électrique. En cas de dommages, faites réparer l'outil avant de l'utiliser de nouveau. Beaucoup d'accidents sont causés par des outils électriques mal entretenus.

**f) Gardez les outils de coupe bien affûtés et propres.** Des outils correctement entretenus et dont les tranchants sont bien affûtés risquent moins de se bloquer et sont plus faciles à contrôler.

**g) Utilisez l'outil, les accessoires et les embouts, etc., conformément à ces instructions pour les applications pour lesquelles ils sont conçus, en tenant compte des conditions et du type de travail à exécuter.** L'usage d'un outil électrique pour des



applications pour lesquelles il n'est pas conçu peut être dangereux.

**(2.6) 5 Avertissements généraux de sécurité des outils électriques [entretien]**

**a) L'entretien doit être confié à un technicien qualifié, utilisant exclusivement des pièces identiques à celles d'origine. Ceci assurera le maintien de la sécurité de l'appareil électrique.**

**Avertissements de sécurité s'appliquant à la tronçonneuse**

**a) La protection fournie avec l'outil doit être solidement fixée à l'outil électrique et positionnée pour garantir une sécurité maximale, de sorte qu'une portion du disque aussi réduite que possible soit exposée en direction l'opérateur.**

Positionnez-vous et les autres personnes présentes à distance du plan du disque en rotation. La protection contribue à protéger l'opérateur des fragments de disque cassé et de tout contact accidentel avec le disque.

**b) Utilisez uniquement des disques de découpe renforcés et liés ou en diamant pour votre outil électrique.** Le fait qu'un accessoire puisse être fixé sur votre outil électrique ne garantit pas qu'il puisse être utilisé en toute sécurité.

**c) La vitesse nominale de l'accessoire doit être au moins égale à la vitesse maximale indiquée sur l'outil électrique.** Les accessoires fonctionnant plus vite que leur vitesse nominale peuvent se briser et voler en éclats.

**d) Les disques ne doivent être utilisés que pour les applications recommandées.** Par exemple, ne meulez pas avec la tranche d'un disque de coupe. Les disques de coupe abrasifs sont conçus pour le meulage périphérique, les forces latérales appliquées sur ces disques risquent de les briser.

**e) Utilisez toujours des flasques de disques dont le diamètre est adapté au disque sélectionné.** Des flasques de disques adaptés soutiennent le disque et réduisent donc le risque que le disque se brise.

**f) N'utilisez pas de roues renforcées usées d'outils électriques plus grands.** Les roues destinées à un outil électrique plus grand ne conviennent pas à la vitesse plus élevée d'un outil plus petit et peuvent éclater.

**g) Le diamètre externe et l'épaisseur de votre accessoire doivent être conformes à la puissance nominale de votre outil électrique.** Il est impossible de protéger ou de contrôler des accessoires de la mauvaise taille.

**h) La taille de l'arbre des disques et des flasques doit correspondre à l'axe de l'outil électrique.** Les disques et les flasques avec des trous de l'arbre qui ne correspondent pas au matériel de montage de l'outil électrique se déséquilibreront, vibreront excessivement et

peuvent entraîner une perte de contrôle.

**i) N'utilisez pas de disques endommagés.**

Avant chaque utilisation, vérifiez que les disques ne comportent aucun éclat ni aucune fissure. Si l'outil électrique ou le disque tombe, vérifiez qu'il n'a subi aucun dommage ou installez un disque en bon état. Après l'inspection et l'installation du disque, positionnez-vous ainsi que les autres personnes présentes à l'écart du plan de rotation du disque et faites fonctionner l'outil électrique à sa vitesse maximale à vide pendant une minute. Pendant ce test, les disques endommagés devraient normalement se casser.

**j) Portez un équipement de protection individuelle.**

En fonction de l'application, utilisez un masque facial, des lunettes de sécurité avec écrans latéraux ou des lunettes de sécurité simples. Le cas échéant, portez également un masque à poussière, des protections auditives, des gants et un tablier capable de bloquer de petits fragments de la pièce à usiner ou abrasifs. La protection oculaire doit pouvoir bloquer les débris volants générés par diverses opérations. Le masque à poussière ou le masque respiratoire doit pouvoir filtrer les particules générées par votre opération. Une exposition prolongée à des bruits de haute intensité risque d'entraîner une perte d'audition.

**k) Maintenez les personnes présentes à une distance sûre de la zone de travail.**

Toute personne entrant dans la zone de travail doit porter un équipement de protection individuelle. Des fragments de la pièce à usiner ou d'un disque brisé risquent de s'envoler et d'entraîner des blessures au-delà de la zone d'opération.

**l) Tenez l'appareil électrique par les surfaces de prises isolées lorsque vous réalisez une opération pendant laquelle l'accessoire de coupe est susceptible d'entrer en contact avec des câbles cachés ou son propre cordon d'alimentation.** Tout contact entre l'accessoire de coupe et un câble « sous tension » entraînerait une « mise sous tension » des parties métalliques exposées de l'outil et l'électrocution de l'opérateur.

**m) Placez le cordon à bonne distance de l'accessoire en rotation.**

En cas de perte de contrôle, le cordon risque d'être coupé ou déchiré, et votre main ou votre bras risque d'être entraîné sur le disque en rotation.

**n) Ne posez jamais l'outil électrique tant que l'accessoire n'est pas complètement immobilisé.** Le disque en rotation pourrait mordre dans la surface et arracher l'outil électrique à votre contrôle.

**o) Ne faites pas fonctionner l'outil électrique en le portant sur votre côté.**

Un contact accidentel avec l'accessoire en rotation pourrait accrocher vos vêtements et entraîner la pénétration de l'accessoire dans votre corps.

**p) Nettoyez régulièrement les événements de l'outil électrique.** Le ventilateur du moteur peut aspirer la poussière à l'intérieur du boîtier

et toute accumulation excessive de métaux en poudre risque d'entraîner un danger électrique.

**q) N'utilisez pas l'outil électrique à proximité de matériaux inflammables.**

Des étincelles pourraient mettre le feu à ces matériaux.

**r) N'utilisez aucun accessoire qui nécessite un refroidisseur liquide.** Utiliser de l'eau ou un autre refroidisseur liquide engendre des risques d'électrocution ou de décharge électrique.

**Effets de recul et avertissements associés**

L'effet de recul est une réaction soudaine quand un disque en rotation se coince ou s'accroche. Lorsque le disque se coince ou s'accroche, cela provoque un décrochage rapide du disque en rotation qui à son tour exerce une force sur l'outil électrique hors de contrôle dans le sens opposé à la rotation du disque au point de fixation.

Par exemple, si un disque abrasif se coince ou s'accroche dans la pièce à usiner, le bord du disque pénétrant au point où il s'est coincé peut s'enfoncer dans la surface du matériau et faire sortir le disque ou provoquer un effet de recul. Le disque peut effectuer un bond vers l'opérateur ou dans la direction opposée, en fonction de la direction du mouvement du disque au point où il s'est coincé. Les disques abrasifs peuvent également se briser dans ces conditions.

L'effet de recul résulte d'une mauvaise utilisation de l'outil électrique et/ou du non-respect des procédures ou conditions d'utilisation et peut être évité en prenant les précautions adéquates indiquées ci-dessous.

**a) Maintenez fermement l'outil électrique et positionnez votre corps et votre bras de manière à vous permettre de résister aux forces de recul.**

Si une poignée auxiliaire est fournie, utilisez-la toujours pour vous assurer un contrôle maximal de l'effet de recul ou de la réaction de couple lors du démarrage. L'utilisateur peut contrôler les réactions de couple ou les forces de recul, à condition qu'il prenne les précautions adéquates.

**b) Ne placez jamais votre main près de l'accessoire en rotation.** L'accessoire pourrait reculer sur votre main.

**c) N'alignez pas votre corps avec le disque en rotation.** L'effet de recul propulsera l'outil dans la direction opposée au mouvement du disque au point d'accrochage.

**d) Faites particulièrement attention lorsque vous travaillez dans les coins, les bords tranchants, etc. Évitez de faire rebondir l'accessoire ou de l'accrocher.** Les coins, les arêtes vives ou les rebonds ont tendance à accrocher l'accessoire en rotation et à provoquer une perte de contrôle ou un effet de recul.

**e) N'utilisez pas de chaîne de sciage, de lame de sculpture sur bois ou de disque diamant segmenté dont l'espace périphérique est supérieur à 10 mm ni de lame de scie à dents.**

De telles lames provoquent souvent un effet de recul et une perte de contrôle.

**f) Ne « bloquez » pas le disque et n'appliquez aucune pression excessive.**

N'essayez pas d'atteindre une profondeur de coupe excessive. Une force excessive sur le disque augmente la charge et la probabilité de torsion ou de grippage du disque dans la pièce à usiner, ainsi que la probabilité de recul ou de casse du disque.

**g) Lorsque le disque se grippe ou lors de toute interruption de la coupe pour quelque raison que ce soit, éteignez l'outil électrique et maintenez-le en position immobile jusqu'à l'arrêt complet du disque.** Pour éviter tout effet de recul, n'essayez jamais de retirer le disque de la pièce à usiner lorsque le disque est encore en mouvement. Examinez le disque et prenez les mesures correctives nécessaires pour éviter tout grippage.

**h) Ne redémarrez pas l'opération de coupe dans la pièce à usiner.** Attendez que le disque atteigne sa vitesse maximale et réinsérez-le dans la pièce à usiner. Si vous redémarrez l'outil électrique dans la pièce à usiner, le disque risque de se gripper, de sortir par le haut ou de subir un effet de recul.

**i) Utilisez des panneaux de support pour les pièces à usiner de grande envergure afin de réduire les risques de blocage et d'effet de recul.** Les pièces à usiner de grande envergure ont tendance à s'affaisser sous leur propre poids. Les supports doivent être placés sous la pièce à usiner, à proximité de la ligne de coupe et de l'extrémité de la pièce à usiner, des deux côtés du disque.

**j) Redoublez de prudence lorsque vous effectuez une « coupe en plongée » dans des murs existants ou dans d'autres zones où la visibilité est mauvaise.** Le disque en saillie peut entailler des conduites de gaz ou d'eau, un câblage électrique ou des objets susceptibles de provoquer un effet de recul.

## (2.7) CONSEILS DE SANTÉ

**AVERTISSEMENT :** Lors de l'utilisation de cette machine, des particules de poussière peuvent être engendrées. Dans certains cas, en fonction des matériaux avec lesquels vous travaillez, cette poussière peut se révéler particulièrement nocive. Si vous suspectez que la peinture à la surface du matériau que vous souhaitez couper contient du plomb, demandez les conseils d'un professionnel. Les peintures au plomb doivent être retirées uniquement par un professionnel. Vous ne devez pas tenter de les retirer vous-même. Une fois que la poussière s'est déposée sur les surfaces, un contact entre la main et la bouche peut donner lieu à l'ingestion de plomb. L'exposition au plomb, même en faible quantité, est susceptible de provoquer des lésions irréversibles du cerveau ou du système nerveux. Les jeunes enfants et les enfants à naître sont particulièrement vulnérables.

Il est conseillé de considérer les risques associés aux matériaux avec lesquels vous travaillez et de réduire les risques d'exposition. Certains matériaux pouvant générer des poussières potentiellement dangereuses pour votre santé, nous vous conseillons d'utiliser un masque agréé avec des filtres interchangeable lors de l'utilisation de cette machine.

**Vous devriez toujours :**

- Travailler dans un endroit bien aéré.
- Travaillez en portant un équipement de protection agréé tel qu'un masque anti-poussière spécialement conçu pour filtrer les particules microscopiques.

**(2.8) AVERTISSEMENT :** lors de l'utilisation de tout outil électrique, des corps étrangers risquent d'être projetés vers vos yeux, ce qui pourrait gravement les endommager. Avant de commencer à utiliser un outil électrique, portez toujours des lunettes de protection munies d'écrans latéraux ou un masque facial intégral si nécessaire.

**CONSIGNES DE SÉCURITÉ SUPPLÉMENTAIRES**

**AVERTISSEMENT :** Débranchez toujours la scie à béton de l'alimentation secteur avant de la nettoyer, d'effectuer son entretien ou de changer les lames.

- **N'approchez pas vos mains de la zone de coupe ou de la lame.** Si vous tenez la machine à deux mains par les poignées, elles ne risquent pas d'entrer en contact avec le disque diamant.
- **N'appuyez jamais sur le bouton de verrouillage de la broche lorsque la machine est en marche.** La machine pourrait être gravement endommagée et l'opérateur risquerait de se retrouver dans une situation extrêmement dangereuse.
- **Utilisez uniquement des disques diamant ou d'autres disques de coupe agréés par le fabricant.**
- **Vérifiez toujours le disque diamant avant de mettre la machine en marche.** S'il est fendu, cassé ou tordu, ne l'utilisez pas. Démarrez la machine avec précaution et vérifiez la présence de tout bruit ou vibration anormaux ou de toute autre anomalie.
- **Soyez vigilant lorsque vous coupez du métal.** L'utilisation du disque diamant pour couper du métal (tiges d'armatures coulées dans le béton) réduira sa durée de vie. Utilisez une lame de coupe de métal spécialisée dans la mesure du possible.
- **Atteignez que le disque de coupe ait atteint sa vitesse maximale avant de commencer la coupe.** Ne commencez à travailler qu'une fois la vitesse maximale atteinte.
- **N'exercez pas une force excessive.** Exercer une force excessive entraîne une surcharge du

moteur et diminue l'efficacité et la durée de vie de l'appareil.

- **Coupez toujours le béton, le carrelage ou la pierre à une profondeur de coupe de 50 mm ou moins.** Si la profondeur de coupe nécessaire excède 50 mm, coupez la pièce à usiner en 2 ou 3 fois. Si vous tentez d'obtenir une profondeur de coupe supérieure à 50 mm en une seule fois, la durée de vie de la lame de coupe peut être réduite et le moteur peut être endommagé.
- **Installez le cache du port d'aspiration des poussières lorsque vous n'utilisez pas de tuyau collecteur de poussières.** Des étincelles pourraient être générées pendant les opérations de coupe. Fermez le port d'aspiration des poussières à l'aide de son capuchon en caoutchouc et assurez-vous de porter des lunettes de protection.
- **N'utilisez jamais de boulon de l'arbre ou de flasques de disque endommagés ou non adaptés.** Les flasques de disques et le boulon de l'arbre ont été spécialement conçus pour votre machine et vous offrent des performances optimales dans les meilleures conditions de sécurité.
- **Cette machine est équipée de la fiche moulée et du câble électrique adéquats pour le marché désigné.** N'apportez aucune modification au câble ou à la fiche. Si le câble électrique ou la fiche sont endommagés de quelque façon que soit, ils doivent être remplacés par des pièces d'origine par un technicien compétent.
- **Dans la mesure du possible, utilisez toujours une méthode de contrôle de la poussière lors de la coupe du béton, soit une extraction de poussière ou une suppression avec de l'eau, le cas échéant.** Lorsque vous utilisez des extracteurs de poussière avec les scies circulaires Evolution, assurez-vous qu'ils sont classés M ou H lorsque vous procédez à la coupe de béton.

**AVERTISSEMENT :** Cette machine ne doit pas être utilisée pour couper des matériaux pouvant contenir de l'amiante. Si vous suspectez la présence d'amiante, veuillez consulter les autorités compétentes pour leur demander conseil.

**ÉPI (équipement de protection individuelle)**

**Remarque :** Si vous utilisez cet équipement sur un site de construction, l'opérateur doit impérativement se conformer aux règles/règlements du site en vigueur. Contactez le chef de chantier ou tout autre responsable pour plus d'informations.

- **Portez des vêtements adaptés.** Par exemple, un bleu de travail ou une combinaison rembourrée et une veste à haute visibilité, etc.

- **Portez des chaussures adaptées.** Il est conseillé de porter des chaussures de sécurité équipées d'embouts en acier et de semelles antidérapantes.
- **Portez des lunettes de sécurité adaptées.** Il est conseillé d'utiliser un masque facial de sécurité complet ou des lunettes de sécurité avec écrans latéraux.
- **Protégez votre ouïe.** Portez des protections auditives adaptés.
- **Portez des gants adaptés.** Il est conseillé de porter des gants hautement adhérents.
- **Portez une protection respiratoire.** Il est conseillé de porter un masque à poussière avec des filtres remplaçables afin d'être protégé des poussières, des fibres et des vapeurs fines et toxiques.
- **Portez un casque de sécurité.** Il est possible que le port d'un casque de sécurité soit obligatoire sur les sites de construction afin de protéger l'opérateur d'éventuels dangers au-dessus de lui.

#### (4.1) PRISE EN MAIN - DÉBALLAGE

**Mise en garde :** Cet emballage contient des objets tranchants. Faites attention lors du déballage. Retirez la machine et les accessoires fournis de l'emballage. Vérifiez soigneusement que la machine est en bon état et que vous disposez de tous les accessoires énumérés dans ce manuel. Assurez-vous que tous les accessoires sont complets. S'il manque une ou plusieurs pièces, renvoyez la machine et ses accessoires dans leur emballage d'origine au revendeur. Ne jetez pas l'emballage. Conservez-le en bon état tout au long de la période de garantie. Jetez l'emballage d'une manière responsable pour l'environnement. Si possible, recyclez-le. Ne laissez pas les enfants jouer avec des sacs plastiques vides, en raison du risque de suffocation.

#### (4.2) ARTICLES FOURNIS

DESCRIPTION	QUANTITÉ
Mode d'emploi	1
Lame*	1
Outil polyvalent (réglages)	1
Train de roulement à roues	1
Capuchon en caoutchouc (port d'extraction)	1
Connecteur de tuyau (R300DCT+)	1

\* Certains modèles sont fournis sans lame. Veuillez vous reporter au tableau des spécifications pour prendre connaissance des détails.

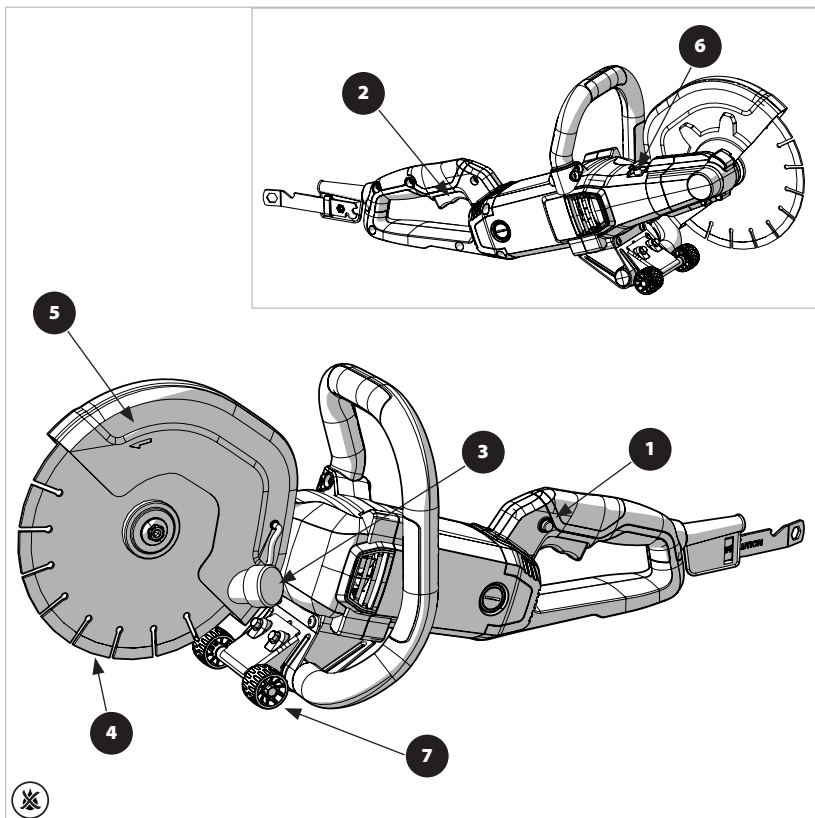
#### (4.3) ACCESSOIRES SUPPLÉMENTAIRES

En plus des articles standards fournis avec cette machine, vous trouverez les accessoires suivants dans la boutique en ligne d'Evolution sur [www.evolutionpowertools.com](http://www.evolutionpowertools.com) ou chez votre revendeur local.

#### (4.4)

DESCRIPTION	PIÈCE N°
Des lames de coupe spécialisées sont disponibles	Consultez la ligne d'assistance Evolution pour obtenir de plus amples informations et détails
Bouteille d'eau à pompe à main	Consultez la ligne d'assistance Evolution pour obtenir de plus amples informations et détails
Bouteille d'eau à pompe à pied	Consultez la ligne d'assistance Evolution pour obtenir de plus amples informations et détails
Boîtier de transport	Consultez la ligne d'assistance Evolution pour obtenir de plus amples informations et détails
Adaptateurs de port à poussières	Consultez la ligne d'assistance Evolution pour obtenir de plus amples informations et détails
Kit de coupe à eau (Pour convertir le modèle R300DCT)	Consultez la ligne d'assistance Evolution pour obtenir de plus amples informations et détails

## PRÉSENTATION DE LA MACHINE R230DCT



1. Interrupteur de sécurité

2. Interrupteur à gâchette

3. Port d'aspiration des poussières

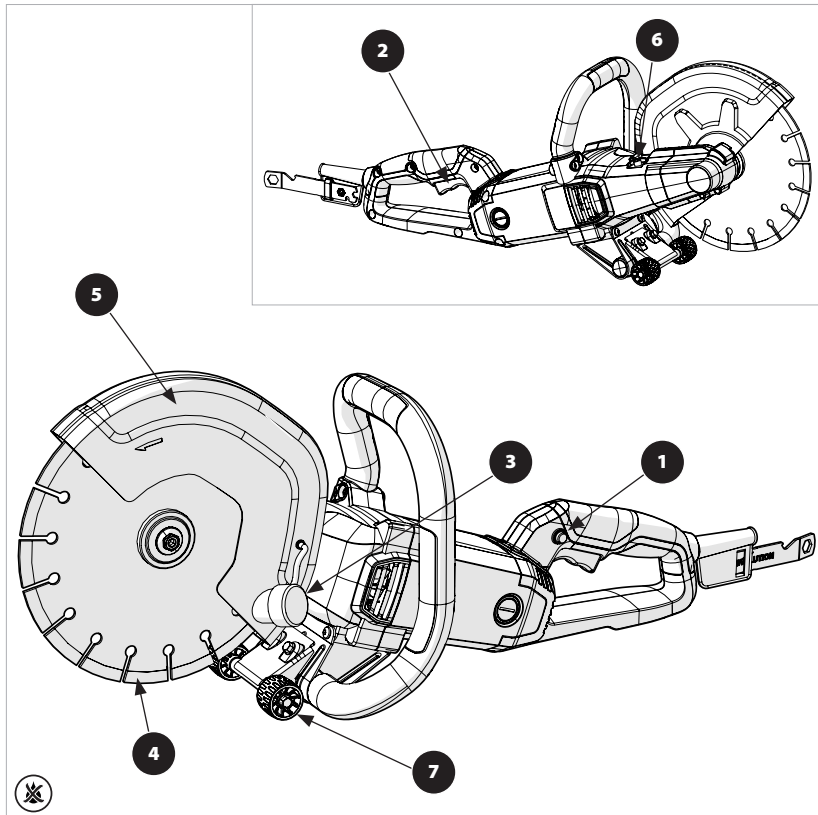
4. Disque de coupe

5. Carter de lame

6. Bouton de blocage de l'arbre

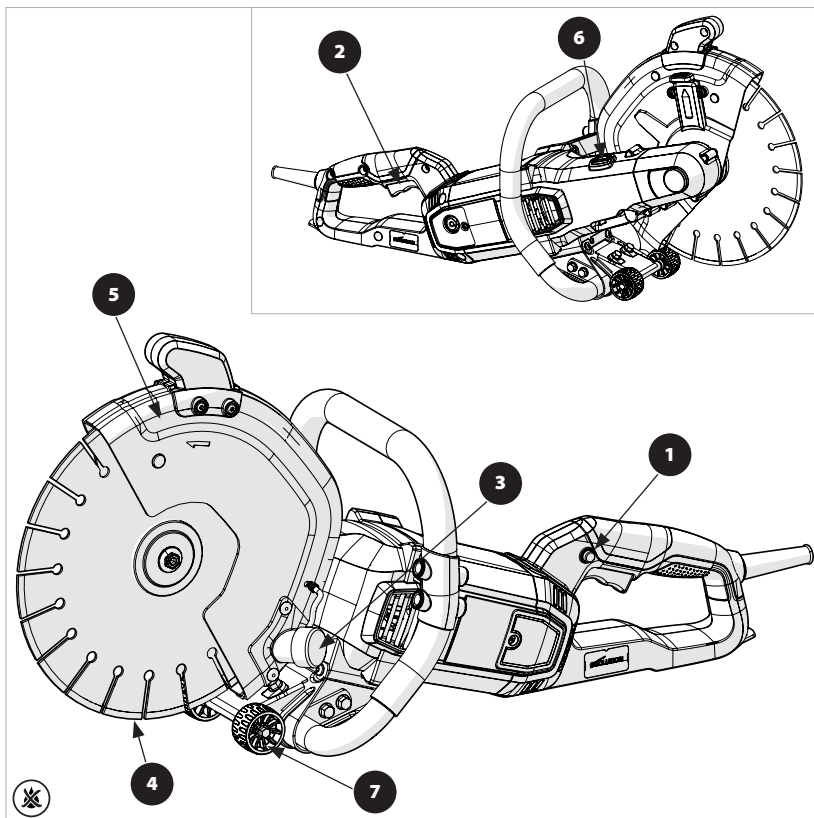
7. Train de roulement à roues

**PRÉSENTATION DE LA MACHINE R255DCT**



- |  |  |
|--|--|
| <b>1.</b> Interrupteur de sécurité         | <b>5.</b> Carter de lame               |
| <b>2.</b> Interrupteur à gâchette          | <b>6.</b> Bouton de blocage de l'arbre |
| <b>3.</b> Port d'aspiration des poussières | <b>7.</b> Train de roulement à roues   |
| <b>4.</b> Disque de coupe                  |  |

## PRÉSENTATION DE LA MACHINE R300DCT



**1.** Interrupteur de sécurité

**2.** Interrupteur à gâchette

**3.** Port d'aspiration des poussières

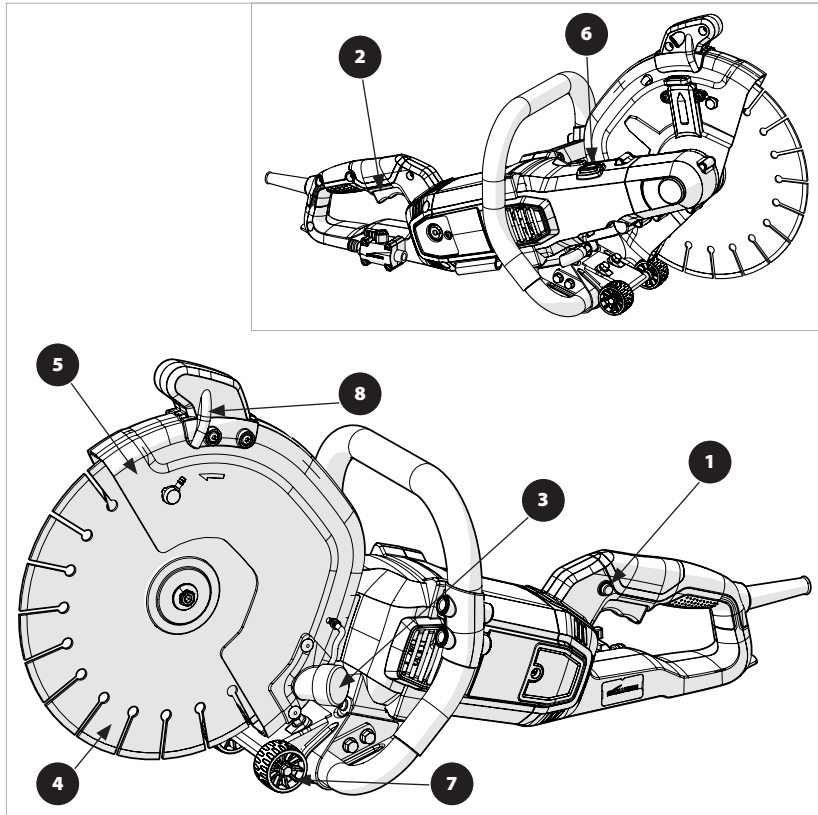
**4.** Disque de coupe

**5.** Protège-lame réglable

**6.** Bouton de blocage de l'arbre

**7.** Train de roulement à roues

**PRÉSENTATION DE LA MACHINE R300DCT+**



- 1. Interrupteur de sécurité
- 2. Interrupteur à gâchette
- 3. Port d'aspiration des poussières
- 4. Disque de coupe

- 5. Protège-lame réglable
- 6. Bouton de blocage de l'arbre
- 7. Train de roulement à roues
- 8. Alimentation d'eau



### **DESCRIPTION GÉNÉRALE**

Les scies à béton Evolution ont été conçues pour intégrer de nombreuses caractéristiques de conception uniques qui permettent de gagner du temps. Certaines de ces caractéristiques sont communes à l'ensemble de la gamme.

Reportez-vous à la rubrique Caractéristiques de ce mode d'emploi pour identifier les caractéristiques spécifiques d'une machine en particulier.

#### **Caractéristiques communes :**

- Interrupteur à gâchette MARCHE/ARRÊT de sécurité
- Poignées ergonomiques avant et arrière largement espacées qui offrent un meilleur contrôle à l'opérateur et contribuent à sa sécurité.
- Une répartition optimale du poids entre les poignées avant et arrière favorise le confort et réduit la fatigue de l'opérateur.
- Poignées avant et arrière isolées électriquement des pièces métalliques de la machine.
- Capacité d'extraction de poussière.
- Câble d'alimentation gainé de caoutchouc de qualité.
- Plaque de protection en acier renforcé.
- Train de roulement polyvalent
- Outil de réglage polyvalent
- Range-outils intégré
- Balais de moteur remplaçables

**Remarque :** Le cas échéant, les caractéristiques spécifiques à la machine sont mentionnées dans ce mode d'emploi.

#### **FLASQUES DES LAMES**

**USA :** Les machines destinées au marché américain sont fournies avec des flasques de lame qui acceptent les lames avec un trou d'arbre de  $\varnothing 25,4$  mm ( $\varnothing 1$  ") pour les lames de 12" et un trou d'arbre de  $\varnothing 22,2$  ( $\varnothing 7/8$  ") pour les lames de 9 et 10".

**AUTRES MARCHÉS :** Les autres machines sont fournies avec des flasques de lame qui peuvent recevoir des lames avec un trou d'arbre de  $\varnothing 20$  mm ( $\varnothing 3/4$  ") ou  $\varnothing 22,2$  ( $\varnothing 7/8$  ") selon la façon dont les flasques sont installées.

**INSTALLATION D'UNE LAME DE COUPE.**  
**(Alésage de lame de Ø 20 mm Ø 22,2 mm et Ø 25,4 mm)**

**AVERTISSEMENT :** Débranchez toujours la machine de la source d'alimentation avant d'installer ou de retirer une lame.

- Assurez-vous que l'arbre de la machine et les flasques des lames sont propres et exempts de poussière ou de débris.
- Assurez-vous que la direction des flèches de rotation imprimées sur la lame correspond au sens de rotation des flèches qui se trouvent sur la protection de la machine.
- Installez la flasque de lame (a) sur le côté intérieur de la lame. (Fig. 1)
- Installez la lame en vous référant aux flèches de sens de rotation.
- Installez la flasque de lame extérieure (b) et insérez le boulon de l'arbre (c) dans l'arbre de la machine, pour votre machine appropriée. (Fig. 1)

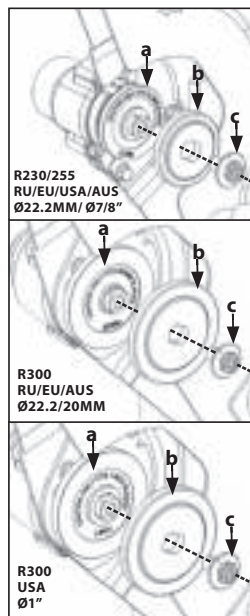
**Pour toutes les machines :**

- Appuyez sur le bouton de blocage de l'arbre pour verrouiller l'arbre des machines. (Fig. 2)
- Serrez le boulon de l'arbre à l'aide de l'outil polyvalent fourni. (Fig. 3)
- Relâchez le bouton de blocage de l'arbre.
- Faites tourner soigneusement la lame à la main et vérifiez qu'elle est bien fixée, correctement positionnée sur les flasques de lame et qu'elle tourne librement.

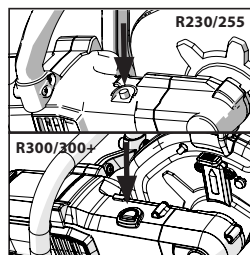
**RETRAIT D'UNE LAME DE COUPE**

**(Pour toutes les machines Evolution)**

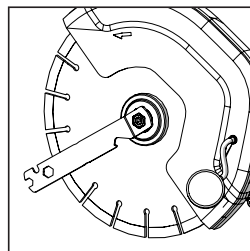
- Appuyez sur le bouton de blocage de l'arbre pour verrouiller l'arbre des machines.
- Desserrez et retirez le boulon de l'arbre à l'aide de l'outil polyvalent fourni.
- Retirez la rondelle extérieure et la flasque de lame.
- Retirez la lame.
- Si nécessaire, retirez la flasque intérieure de la lame pour l'inspecter et/ou la nettoyer.



**FIG. 1**



**FIG. 2**



**FIG. 3**

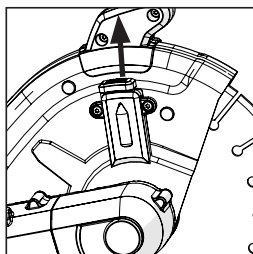


FIG. 4

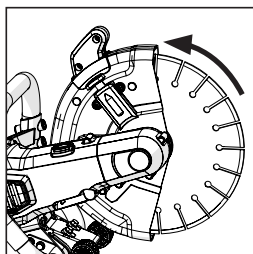


FIG. 5

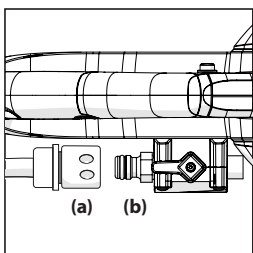


FIG. 6a &amp; b

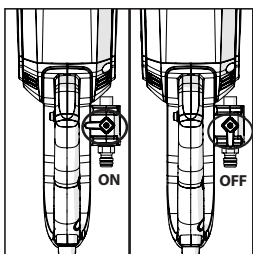


FIG. 6c

### PROTÈGE-LAME RÉGLABLE (R300 DCT+ et R300 DCT)

Le protège-lame de ces machines est réglable. Il doit être positionné de manière à offrir à l'opérateur la meilleure combinaison de protection individuelle et de visibilité de la ligne de coupe.

**Remarque :** Les machines R255 DCT et R230 DCT sont équipées de protège-lames fixes.

#### Pour régler le protège-lame :

**AVERTISSEMENT :** Débranchez la machine de l'alimentation électrique avant de repositionner le protège-lame.

- Actionnez le système de verrouillage du protège-lame en tirant la goupille de verrouillage vers le haut. (Fig. 4)
- Faites pivoter le protège-lame dans la position optimale à l'aide de la poignée de rotation du protège-lame. (Fig. 5)
- Relâchez la goupille de verrouillage.
- Vérifiez la sécurité du protège-lame.

### SYSTÈME DE SUPPRESSION DE POUSSIÈRE (Machine R300 DCT+)

Le modèle R300 DCT+ est équipé d'un système de suppression de poussière. Ce système délivrera un jet d'eau à pression et volume égaux des deux côtés de la lame.

**Remarque :** Le modèle R300 DCT est pré-préparé et peut être rétroéquipé du système de suppression de poussière. Contactez votre fournisseur ou accédez à la ligne d'assistance Evolution pour obtenir de plus amples détails.

#### Pour utiliser le système de suppression de poussière :

- Connectez un tuyau d'alimentation en eau à la scie. L'alimentation en eau peut être un robinet d'eau de ville ou un système de bouteille d'eau Evolution.
- Poussez le connecteur de tuyau (Fig. 6A) sur l'adaptateur de tuyau du robinet d'eau (Fig. 6B) un clic se produira quand le connecteur du tuyau sera sécurisé.
- Une fois l'outil connecté à l'alimentation en eau, mettez l'eau sous pression en pompant la bouteille ou en ouvrant le robinet d'alimentation.
- Ouvrez le robinet d'eau pour alimenter la lame en eau. Le débit peut être ajusté grâce au robinet d'eau sur la scie. (Fig. 6c)
- Après avoir terminé la coupe, éteignez la machine, fermez le robinet d'eau (3) pour arrêter l'écoulement de l'eau vers la lame.
- Débranchez la scie de l'alimentation en eau en repoussant le collier de dégagement du connecteur de tuyau.

**Remarque :** Ajustez le système de manière à ce que juste assez d'eau soit fournie pour supprimer adéquatement la poussière créée par le processus de coupe.

**AVERTISSEMENT :** Assurez-vous que tout tuyau d'alimentation en eau de la machine est d'une longueur appropriée. Les tuyaux doivent être acheminés de manière à ne pas provoquer de trébuchement ou toute autre forme de danger.

**AVERTISSEMENT :** Éloignez tout liquide de l'outil et de toute personne se trouvant dans la zone de travail.

**Remarque :** La pression maximale autorisée de l'alimentation en liquide est de 5,5 BAR.

**Remarque :** Lorsqu'il n'est pas utilisé, vidangez le tuyau de toute eau résiduelle. Gardez le réservoir et les pièces propres et exempts de débris.

Un dispositif de courant résiduel (RCD) est installé sur le R300DCT + pour assurer le fonctionnement du RCD. Veuillez suivre ces instructions :

- Lors du branchement de la scie sur le RCD, il devra être réinitialisé avant que la scie ne s'allume.
- Branchez la scie, appuyez sur le bouton de réinitialisation sur le RCD et un clic se produira. **(Fig. 7a)**
- La fenêtre de l'indicateur passera au ROUGE pour indiquer que l'appareil est sous tension. **(Fig. 7b)**
- Pour effectuer un test, pressez le bouton TEST. Encore une fois, un clic se produira et la fenêtre de l'indicateur passera au noir, indiquant que l'alimentation est coupée. **(Fig. 7c)**
- Appuyez à nouveau sur le bouton de réinitialisation pour réinitialiser et utiliser la scie.

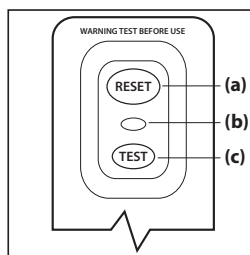
**Remarque :** Si le RCD se déclenche pendant l'utilisation, appuyez simplement sur RESET.

**TRAIN DE ROULEMENT À DEUX ROUES  
(Pour toutes les machines Evolution)**

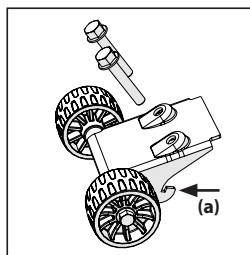
Un train de roulement à deux roues **(Fig. 8)** est fourni avec toutes les machines. Lorsqu'il est installé **(Fig. 9)**, il peut fournir une stabilité supplémentaire utile (et du confort à l'opérateur), en particulier lors de coupes horizontales et au niveau du sol. Il garantira également que la lame de coupe ne touche pas la surface du sol, etc. lorsque la machine est mise au repos entre les coupes.

Pour installer le train de roulement :

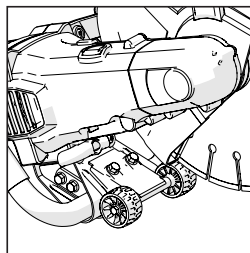
- Insérez les crochets **(Fig. 8a)** dans les fentes sur la face inférieure de la plaque de protection.
- Utilisez les boulons de train de roulement fournis pour fixer le train de roulement à la machine. **(Fig. 10)**



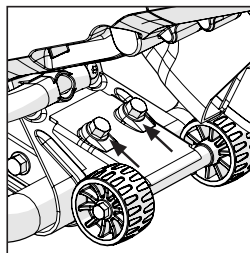
**FIG. 7**



**FIG. 8**



**FIG. 9**



**FIG. 10**

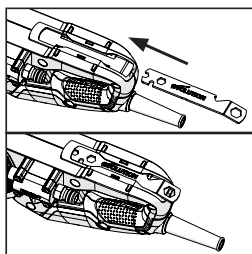


FIG. 11

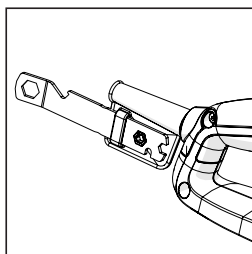


FIG. 12

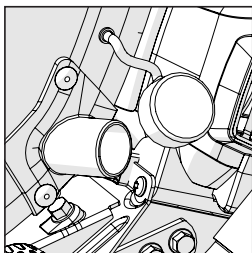


FIG. 13

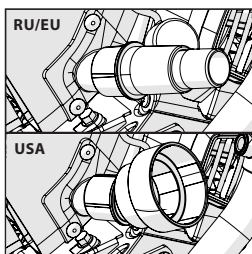


FIG. 14

### RANGE-OUTILS INTÉGRÉ.

Toutes les machines Evolution sont équipées d'un range-outils intégré pour l'outil polyvalent fourni.

### R300 DCT+ et R300 DCT

Le rangement est situé sous la poignée des machines. (Fig. 11)

### R225 DCT et R230 DCT

Un rangement est fourni par le manchon intégré dans le passe-fil de renfort du câble secteur. (Fig.12)

### BRANCHEMENT D'UNE MACHINE D'ASPIRATION DES POUSSIÈRES. (Pour toutes les machines Evolution)

**AVERTISSEMENT :** La poussière peut être extrêmement dangereuse. Nous vous recommandons vivement d'utiliser une machine d'aspiration des poussières adaptée (non fournie) avec cette machine afin que le lieu de travail reste aussi propre et sûr que possible.

Le tuyau d'aspiration de la machine d'aspiration des poussières doit être fixé au port d'aspiration des poussières du protège-lame.

- Retirez le capuchon en caoutchouc du port d'aspiration des poussières (Fig. 13) et rangez-le dans un endroit sûr pour pouvoir le réinstaller plus tard.
- Poussez le tuyau de raccordement de la machine d'aspiration sur l'orifice d'aspiration à l'aide d'un adaptateur approprié. (Fig. 14)
- Suivez les instructions fournies avec la machine d'aspiration des poussières.
- Assurez-vous que le tuyau et le câble d'alimentation de toute machine d'aspiration des poussières branchée sur la machine ne risquent pas de faire trébucher l'opérateur ou d'être dangereux pour lui.
- Lorsque vous n'utilisez plus la machine d'aspiration des poussières, retirez-la de la scie à béton et refermez le port d'aspiration des poussières à l'aide du capuchon en caoutchouc.

**REMARQUE :** Lorsque vous utilisez des extracteurs de poussière avec les scies circulaires Evolution, assurez-vous qu'ils sont classés M ou H lorsque vous procédez à la coupe de béton.

**L'INTERRUPTEUR À GÂCHETTE MARCHE/ARRÊT (Fig. 15)  
(Pour toutes les machines Evolution)**

**Remarque:** Ces machines sont équipées d'un interrupteur à gâchette de démarrage de sécurité.

**Démarrer la machine:**

- Avec votre pouce, appuyez sur le bouton de verrouillage de sécurité situé à côté de la poignée.
- Appuyez sur la gâchette principale pour démarrer le moteur.

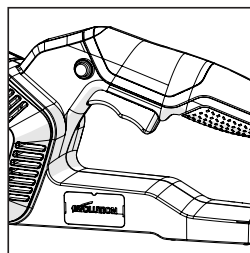
**AVERTISSEMENT:** Ne démarrez jamais la scie lorsque le tranchant de la lame est en contact avec la surface de la pièce à usiner.

**CONSEILS DE COUPE**

**Remarque:** Comme Evolution Power Tools n'a aucun contrôle sur la façon dont son équipement peut être utilisé, les directives suivantes (non exhaustives) sont proposées pour aider les opérateurs à utiliser l'équipement en toute sécurité et efficacement.

**VÉRIFICATIONS AVANT D'EFFECTUER DES COUPES**

- Assurez-vous que la source d'alimentation est conforme aux normes mentionnées sur la plaque signalétique de la machine.
- Assurez-vous que l'interrupteur à gâchette de la machine est en position « OFF ». Si la machine est branchée à une source d'alimentation pendant que l'interrupteur à gâchette est en position « ON », la machine pourrait commencer à fonctionner immédiatement, ce qui entraînerait un risque d'accident grave.
- Si vous devez utiliser une rallonge, celle-ci doit convenir au type d'environnement de travail. En cas d'utilisation à l'extérieur, elle doit être étanche et cela doit être indiqué sur son étiquetage.
- Les instructions du fabricant doivent être respectées lors de l'utilisation d'une rallonge.
- Placez la rallonge de manière à éviter les risques de chute (ou tout autre risque) pour l'opérateur ou toute autre personne à proximité.



**FIG. 15**

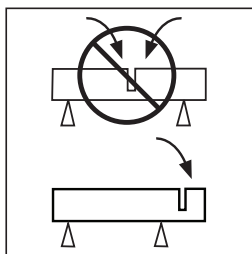


FIG. 16

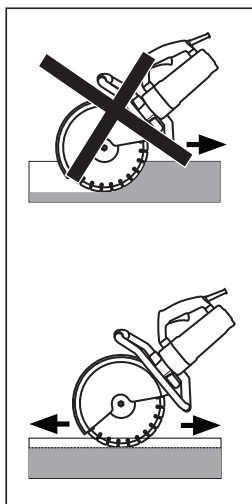


FIG. 17

### PROCÉDURES DE COUPES

Marquez l'ensemble des lignes de coupe sur la pièce à usiner à l'aide d'un outil adapté : crayon, crayon gras, craie etc. Toutes les lignes de coupes doivent être claires et bien visibles.

- Si possible, choisissez un support pour la pièce à usiner tel que la coupe soit prévisible et qu'elle reste stable et ouverte lors de l'opération. (**Fig. 16**)
- Alignez la lame de coupe avec les lignes de coupe pré-marquées. Assurez-vous que la lame de coupe ne touche pas la pièce à usiner avant de commencer les opérations de coupe.
- Allumez la machine en position « ON » et attendez que la lame ait atteint sa vitesse opérationnelle maximale.
- Engagez doucement la lame dans la pièce à usiner. La performance est optimale lorsque vous coupez droit le long d'une ligne de coupe préalablement marquée. Ne coupez pas à une profondeur supérieure à 50 mm (2"). (**Fig. 17**)
- Si vous devez couper à une profondeur supérieure à 50 mm (2"), effectuez plusieurs passages.
- Coupez en douceur, de sorte que la machine fonctionne sans qu'il soit nécessaire d'exercer une force excessive sur la lame.

**AVERTISSEMENT :** N'essayez pas de couper des lignes courbées ou en zig-zag. N'utilisez jamais le côté de la lame comme surface de coupe. N'utilisez jamais l'appareil dans le but de réaliser une coupe inclinée.

- Déplacez lentement la lame vers l'arrière et vers l'avant et tentez d'établir une zone de contact entre la lame et la pièce à usiner que vous coupez. Cette méthode permet de diminuer la température de la lame et d'optimiser l'efficacité de la coupe.
- Si la lame se bloque ou si vous entendez un bruit anormal, coupez immédiatement l'alimentation en appuyant sur « OFF » et recherchez-en la cause. Déterminez la cause de tout bruit ou arrêt. Ne recommencez à couper uniquement si vous pouvez le faire en toute sécurité.
- Engagez la machine sur la pièce à usiner de sorte qu'elle soit alignée à la lame. Toute pression sur les côtés de la lame du disque pourrait l'endommager et être dangereuse.

**ENTRETIEN**

**AVERTISSEMENT** : Toute opération d'entretien doit être réalisée une fois la machine éteinte et débranchée de la prise murale qui l'alimente.

Vérifiez régulièrement que tous les éléments de sécurité et les protections fonctionnent correctement. Utilisez cette machine uniquement si tous les protections et dispositifs de sécurité sont opérationnels. Tous les paliers du moteur de cette machine sont lubrifiés à vie. Aucune autre lubrification n'est requise.

Nettoyez les pièces en plastique de la machine à l'aide d'un chiffon propre légèrement humide. N'utilisez pas de solvants ou de produits similaires car ils pourraient endommager les parties en plastique ou en caoutchouc.

Le retrait de la lame de la machine vous permettra d'accéder à l'intérieur du protège-lame. Toute accumulation de débris, etc. peut être éliminée à l'aide d'un grattoir non métallique émoussé ou d'un outil similaire (non fourni).

**AVERTISSEMENT** : Ne tentez pas de nettoyer la machine en insérant des objets pointus dans les ouvertures de ses boîtiers, etc. Les événements de la machine doivent être régulièrement nettoyés à l'aide d'air sec comprimé. Respectez toutes les précautions de santé et de sécurité nécessaires lors de l'utilisation de l'air comprimé comme agent de nettoyage.

Une quantité excessive d'étincelles peut indiquer la présence de saletés dans le moteur ou être un signe d'usure des balais en carbone.

Si vous suspectez un tel dysfonctionnement, demandez à un technicien d'effectuer l'entretien de la machine et de remplacer les balais.

**PROTECTION DE L'ENVIRONNEMENT**

Les déchets électriques et les produits mécaniques ne doivent pas être jetés avec les ordures ménagères. Veuillez les recycler lorsque les infrastructures le permettent. Contactez votre municipalité ou votre revendeur pour obtenir des conseils sur le recyclage.





## DÉCLARATION DE CONFORMITÉ



Le fabricant du produit couvert par cette déclaration est:

**RU:** Evolution Power Tools Ltd. Venture One, Longacre Close, Holbrook Industrial Estate, Sheffield, S20 3FR.  
**FR:** Evolution Power Tools SAS. 61 Avenue Lafontaine, 33560, Carbon-Blanc, Bordeaux, France.

Le fabricant déclare par les présentes que la machine, comme décrite dans la présente déclaration, satisfait à l'ensemble des dispositions pertinentes de la directive machines et aux autres directives appropriées comme listées ci-après.

Le fabricant déclare en outre que la machine, comme décrite dans la présente déclaration, satisfait aux dispositions pertinentes des exigences essentielles de santé et de sécurité.

### The Directives covered by this Declaration are as detailed below:

<b>2006/42/EC.</b>	Directive liée à la machine.
<b>2014/30/EU.</b>	Directive relative à la compatibilité électromagnétique.
<b>2011/65/EU. &amp; 2015/863/EU.</b>	Directive sur la limitation de l'utilisation de certaines substances dangereuses dans les équipements électriques (RoHS).
<b>2002/96/EC.</b>	telle qu'amendée par la directive 2003/108/CE déchets des équipements électriques et électroniques (DEEE).

### Et est conforme aux exigences applicables des documents suivants


**EN 60745-1/A11:2010 • EN 60745-2-22: 2011+A11: 2013 • EN 55014-1: 2017 • EN 55014-2: 2015 • EN IEC 61000-3-2:2019 • EN 61000-3-3:2013+A1:2019**

### Détails du produit

Description:	Scie circulaire électrique de 230 mm (9") <b>R230DCT</b> Evolution Scie circulaire électrique de 255 mm (10") <b>R255DCT</b> Evolution Scie circulaire électrique de 300 mm (12") <b>R300DCT</b> Evolution Scie circulaire électrique de 300 mm (12") <b>R300DCT+</b> Evolution
Nom du fabricant:	Evolution Build
Tension:	110V ~ 50Hz 220-240V ~ 50Hz Entrée: 110V: 1600/2000W 230-240V: 2400W / 2000W

La documentation technique requise pour prouver que le produit est conforme aux exigences des directives a été compilée et est disponible à toute inspection par les autorités concernées chargées de faire appliquer la législation, et elle montre que notre dossier technique contient les documents listés ci-dessus et que le produit présenté ci-dessus respecte les normes standards qui y sont mentionnées.

### Nom et adresse du détenteur de la documentation technique.

Signature:		Nom: Barry Bloomer CEO
Date:		19/05/20

**RU:** Evolution Power Tools Ltd. Venture One, Longacre Close, Holbrook Industrial Estate, Sheffield, S20 3FR.  
**FR:** Evolution Power Tools SAS. 61 Avenue Lafontaine, 33560, Carbon-Blanc, Bordeaux, France.

**Il presente manuale di istruzioni è stato redatto originariamente in inglese.**

#### **IMPORTANTE**

Si prega di leggere attentamente tutte le istruzioni d'uso e di sicurezza.  
Per la propria sicurezza, se sussistono dubbi circa un qualsiasi aspetto riguardante l'utilizzo di questa attrezzatura, si prega di contattare l'assistenza tecnica telefonica al numero indicato sul sito web di Evolution Power Tools. La nostra organizzazione internazionale gestisce diverse linee telefoniche di assistenza. In alternativa, anche il fornitore del prodotto può offrire assistenza tecnica.

#### **WEB**

**www.evolutionpowertools.com**

**Congratulazioni per l'acquisto di un prodotto Evolution Power Tools. Si prega di completare la registrazione del prodotto "online" come spiegato nel documento A4 sulla registrazione della garanzia allegato al presente apparecchio. È possibile inoltre scansionare il codice QR presente nel documento A4 con uno Smartphone. In tal modo sarà possibile convalidare il periodo di garanzia dell'apparecchio tramite il sito web di Evolution introducendo i propri dati e assicurandosi un'assistenza immediata qualora necessario. La ringraziamo sinceramente per aver scelto un prodotto Evolution Power Tools.**

**GARANZIA LIMITATA EVOLUTION.**  
Evolution Power Tools si riserva il diritto di apportare migliorie e modifiche al design dei prodotti senza preavviso.

Si prega di consultare il documento per la registrazione della garanzia e/o la confezione per ulteriori dettagli sui termini e condizioni della garanzia.

Evolution Power Tools, entro il periodo di garanzia considerata a partire dalla data dell'acquisto, riparerà e sostituirà i prodotti rivelatisi difettosi a causa dei materiali o della manifattura. La garanzia non è valida se lo strumento restituito non è stato usato nel rispetto delle raccomandazioni del manuale di istruzioni o se l'apparecchio è stato danneggiato accidentalmente, per negligenza o uso inadeguato. La garanzia non si applica ad apparecchi e/o componenti che abbiano subito alterazioni o modifiche di qualsiasi genere, o che non siano stati usati rispettando le specifiche e le capacità raccomandate. I componenti elettrici sono soggetti alle garanzie dei rispettivi produttori. Eventuali prodotti restituiti in stato difettoso saranno spediti in porto franco a Evolution Power Tools. Evolution Power Tools si riserva il diritto di riparare il prodotto difettoso o in alternativa di sostituirlo con lo stesso prodotto o un prodotto equivalente. Non esiste garanzia, scritta o orale, per accessori soggetti a usura, come (a titolo esemplificativo ma non esaustivo) lame, taglierine, trivelle, scalpelli o palette, ecc. In nessun caso Evolution Power Tools sarà responsabile di perdite o danni risultanti in modo diretto o indiretto dall'uso dei nostri prodotti o da qualsiasi altra causa. Evolution Power Tools non è responsabile per eventuali costi sostenuti in relazione a tali prodotti o per eventuali danni conseguenti. Nessun funzionario, dipendente o agente di Evolution Power Tools, è autorizzato a prestare oralmente dichiarazioni di idoneità, o a rinunciare a qualsiasi condizione di vendita esposta di seguito, e nessuna di tali dichiarazioni sarà vincolante per Evolution Power Tools.

**Eventuali questioni relative alla presente garanzia limitata dovranno essere inoltrate alla sede centrale dell'azienda, o contattando l'apposito numero di assistenza.**

## SPECIFICHE

MACHINE SPECIFICATIONS	R230DCT		R255DCT		R300DCT		R300DCT+	
Codice prodotto UK/UE/AUS	009-0001, 009-0002, 009-0003, 009-0006,	009-0001X, 009-0002X, 009-0003X, 009-0006X	010-0001, 010-0002, 010-0003, 010-0006,	010-0001X, 010-0002X, 010-0003X, 010-0006X	012-0001, 012-0002, 012-0003, 012-0006,	012-0001X, 012-0002X, 012-0003X, 012-0006X	012-0001A, 012-0002A, 012-0003A, 012-0006A,	012-0001AX, 012-0002AX, 012-0003AX, 012-0006AX
Codice prodotto USA	009-0004	009-0004X	010-0004	010-0004X	012-0004	012-0004X	012-0004A	012-0004AX
Motore UE/UK/AUS (220-240V ~ 50Hz)	2000W		2000W		2400W		2400W	
Motore UE/UK (110V ~ 50Hz)	1600W		1600W		1600W		2000W	
Motore USA (120V ~ 60Hz)	15A		15A		15A		15A	
Velocità nominale (min <sup>-1</sup> )	6000		6000		110V - 4400 120V - 4600 220-240V - 5090		110V - 4400 120V - 4600 220-240V - 5090	
Ciclo di lavoro massimo raccomandato	20 minuti							
Peso	7.1kg		7.3kg		9.7kg		9.7kg	
Lunghezza cavo	3m (10ft)		4m (13ft)		3m (10ft) AUS 4m (13ft)		4m (13ft)	
Capacità di taglio a 90°	90mm (3-1/12In)		102.5mm (4-1/16In)		115mm (4-1/2In)		115mm (4-1/2In)	
<b>LAMA</b>								
Lama in dotazione	Diamantata generica	Lama non inclusa	Diamantata generica	Lama non inclusa	Diamantata generica	Lama non inclusa	Diamantata di alta qualità	Lama non inclusa
Diametro	230mm (9 In)		255mm (10 In)		300mm (12 In)		300mm (12 In)	
Foro UK / UE	22.2mm		22.2mm		22.2 / 20mm		22.2 / 20mm	
Foro USA	7/8 In		7/8 In		1 In		1 In	
<b>DATI RUMOROSITÀ E VIBRAZIONI</b>								
Pressione acustica massima L <sub>pA</sub>	98.0dB(A) K=3dB(A)							
Livello potenza acustica massima L <sub>WA</sub>	109.0dB(A) K=3dB(A)							
Vibrazione impugnatura Livello massimo	6.15m/s <sup>2</sup> K=1.5m/s <sup>2</sup>							

**Avvertenza:** La misurazione delle vibrazioni è stata eseguita in condizioni standard ai sensi delle normative: BS EN 60745-1:2009+A11: 2010

La misurazione del valore totale dichiarato delle vibrazioni è stata eseguita in accordo con un metodo di verifica standard. Esso può essere usato per confrontare un utensile con un altro. Il valore totale dichiarato delle vibrazioni può essere usato inoltre per una valutazione preliminare dell'esposizione a esse.

### VIBRAZIONI

**ATTENZIONE:** Durante l'utilizzo del presente utensile, l'operatore può essere esposto a un alto livello di vibrazioni trasmesse al braccio e alla mano. L'operatore potrebbe sviluppare la sindrome del dito bianco da vibrazione (Sindrome di Raynaud). Tale patologia può ridurre la sensibilità della mano alla temperatura e provocare un intorpidimento generale. Coloro che utilizzano su base regolare e in maniera prolungata nel tempo il presente utensile devono monitorare attentamente la condizione delle proprie mani e dita.

Qualora si manifestassero con evidenza uno o più sintomi, consultare immediatamente un medico.

- La misurazione e la valutazione dell'esposizione alle vibrazioni trasmesse all'arto sul posto di lavoro è contemplata nelle normative:  
**BS EN ISO 5349-1:2001 e BS EN ISO 5349-2:2002**
- Numerosi fattori possono influenzare il livello reale delle vibrazioni durante il funzionamento, come ad esempio la condizione e l'orientamento della superficie di lavoro e il tipo e lo stato dell'apparecchio in uso. Tali fattori devono essere valutati prima di ogni utilizzo, e, laddove possibile, devono essere messe in atto le idonee pratiche lavorative. La buona gestione dei seguenti fattori può concorrere a ridurre gli effetti delle vibrazioni:

**Gestione dell'utensile**

- Maneggiare l'utensile con cura, consentendogli di effettuare il proprio lavoro.
- Evitare di usare eccessiva forza fisica sui controlli dell'utensile.
- Considerare la propria sicurezza ed equilibrio, e l'orientamento dell'utensile durante l'uso.

**Superficie di lavoro**

- Esaminare il materiale della superficie di lavoro; la sua condizione, densità, resistenza, rigidità e orientamento.

**ATTENZIONE:** L'emissione di vibrazioni durante l'uso effettivo dell'utensile può differenziarsi dal valore totale dichiarato in base al modo in cui l'utensile è impiegato. La necessità di identificare misure di sicurezza che tutelino l'operatore è basata su una stima dell'esposizione al pericolo nelle condizioni d'uso reali (prendendo in considerazione tutti i componenti del ciclo di funzionamento, così come le tempistiche di spegnimento dell'utensile e del suo funzionamento a vuoto, in aggiunta al tempo di attivazione).

**ETICHETTE E SIMBOLI**

**ATTENZIONE:** Non mettere in funzione il presente apparecchio qualora le etichette di sicurezza e/o le istruzioni risultino mancanti o danneggiate. Contattare Evolution Power Tools per le etichette sostitutive.

**Avvertenza:** Tutti o alcuni dei seguenti simboli possono essere presenti nel manuale o sul prodotto.

SIMBOLO	DESCRIZIONE
V	Volt
A	Ampere
Hz	Hertz
Min <sup>-1</sup>	Velocità
~	Corrente alternata
n	Velocità nominale
	Attenzione!
	Leggere le istruzioni
	Esclusivamente taglio a secco <i>Applicabile esclusivamente ai modelli R230DCT, R255DCT e R300DCT. Escluso R300DCT+.</i>
	Indossare occhiali protettivi
	Indossare protezioni auricolari
	Indossare protezioni antipolvere
	Indossare protezione per la testa
	Indossare guanti protettivi
	Indossare stivali di sicurezza
	Tenere lontane le mani. Non posizionare le mani sopra o al di sotto della linea contrassegnata dal presente simbolo sull'impugnatura anteriore. Assicurarsi che le mani siano sempre al di sopra della linea e del simbolo per garantire una distanza di sicurezza tra esse e la lama. Non attenersi a tale regola può causare lesioni. <i>Applicabile ai modelli R230DCT e R255DCT</i>
	Certificazione US
	Certificazione CE
	Marchio di conformità ai requisiti per le apparecchiature elettriche ed elettroniche (RCM). Standard Australia/Nuova Zelanda.
	Certificazione GS
	Smaltimento di apparecchiature elettriche ed elettroniche
	Utilizzare esclusivamente lame diamantate, non utilizzare lame dentate
	Non utilizzare lame difettose o rotte
	Rischio elevato di rinculo
	Rischio di inalazione polveri
	Rischio di incendio. Assicurarsi che l'area circostante sia priva di materiali infiammabili

### DESTINAZIONE D'USO DEL PRESENTE UTENSILE ELETTRICO

Il presente utensile è stato progettato per essere utilizzato con lame Evolution. Utilizzare esclusivamente accessori progettati per l'utilizzo sul presente utensile e/o quelli espressamente raccomandati da Evolution Power Tools Ltd.

#### Se equipaggiato con una lama idonea, il presente utensile può essere utilizzato per tagliare:

Mattoni  
Pavimentazioni  
Cordoli  
Materiali da costruzione in calcestruzzo e affini  
Acciaio  
Metalli non ferrosi  
Pietra naturale

### USO NON CONSENTITO DEL PRESENTE UTENSILE ELETTRICO

**ATTENZIONE:** Il presente prodotto è una sega da calcestruzzo a funzionamento manuale e deve essere utilizzata esclusivamente come tale. Essa non deve in alcun modo essere modificata, o utilizzata per alimentare qualunque altro apparecchio o manovrare un qualunque accessorio differente da quelli identificati nel presente manuale di istruzioni.

**ATTENZIONE:** Il presente utensile non deve essere utilizzato per tagliar alcun materiale che possa contenere amianto. Se si sospetta la presenza di amianto, consultare l'autorità competente per ottenere indicazioni.

**ATTENZIONE:** Il presente utensile non è progettato per essere impiegato da persone (bambini inclusi) con capacità fisiche, sensoriali o mentali ridotte. I potenziali operatori che non abbiano esperienza nell'utilizzo del presente utensile devono essere istruiti al riguardo e supervisionati nel lavoro da persona del tutto edotta circa le pratiche necessarie al suo utilizzo in sicurezza. I bambini non devono avere accesso al presente utensile e non devono avere la possibilità di giocare con esso.

### RISCHI RESIDUI

Anche nel caso in cui l'utensile sia conservato e utilizzato nel modo corretto, sussistono rischi residui che possono arrecare lesioni gravi. A causa della tipologia e della natura del presente utensile, possono verificarsi i seguenti potenziali pericoli:

- Contatto con la lama esposta (taglio)
- Toccare la lama in rotazione (taglio)
- Frammenti della lama espulsi dall'utensile (taglio o lesione da impatto)
- Frammenti del pezzo in lavorazione proiettati dall'operazione di taglio (taglio o lesione da impatto)

- Rischio di incendio causato dalla produzione di scintille
- Danno uditivo qualora non si indossino adeguate protezioni (perdita di udito)
- Inalazione di particelle di polvere emesse dal pezzo in lavorazione
- Scossa elettrica al contatto con componenti elettrici non isolati.

Qualora le istruzioni presenti nel manuale non siano seguite, possono verificarsi ulteriori rischi residui dovuti a un utilizzo improprio dell'utensile.

### SICUREZZA ELETTRICA

Il presente utensile è dotato di un modello di presa elettrica e di un cavo di alimentazione idonei al mercato di destinazione. Qualora il cavo di alimentazione del presente utensile elettrico risulti danneggiato, esso deve essere sostituito da un cavo appositamente approntato disponibile tramite il servizio di assistenza.

La spina, qualora danneggiata, dovrà essere sostituita esclusivamente con pezzi di ricambio originali Evolution ed essere ripristinata da un tecnico qualificato.

### (2.1) AVVERTENZE GENERALI SULLA SICUREZZA DEGLI UTENSILI ELETTRICI

(le presenti istruzioni generali di sicurezza degli utensili elettrici sono redatte in accordo alla normativa EN 60745-1: 2009+A11: 2010)

**ATTENZIONE: Leggere per intero le istruzioni e le avvertenze di sicurezza.** Il mancato rispetto delle avvertenze e delle istruzioni può comportare scosse elettriche, rischio di incendio e/o gravi lesioni.

**Conservare tutte le avvertenze e le istruzioni per future consultazioni.** La dicitura "utensile elettrico" nelle avvertenze si riferisce al presente utensile elettrico alimentato a muro (con cavo) o a batterie (senza cavo).

### (2.2) 1) Avvertenze generali sulla sicurezza degli utensili elettrici [Sicurezza dell'area di lavoro]

**a) Tenere l'area di lavoro pulita e ben illuminata.** Le aree disordinate e poco illuminate favoriscono gli incidenti.

**b) Non azionare l'utensile elettrico in un'atmosfera potenzialmente esplosiva, come in presenza di liquidi, gas o polveri infiammabili.**

Gli utensili elettrici generano scintille che possono innescare polveri o vapori.

**c) Tenere bambini e presenti a distanza mentre l'apparecchio è in funzione.**

Le distrazioni possono causare perdita di controllo.

**(2.3) 2) Avvertenze generali sulla sicurezza degli utensili elettrici [Sicurezza elettrica]**

**a) Le spine di alimentazione degli utensili elettrici devono essere adeguate alla presa a muro.** Non modificare in nessuna circostanza e in alcun modo la spina elettrica. Non utilizzare adattatori di attacco elettrico in combinazione con utensili elettrici dotati di messa a terra. Spine elettriche non modificate e prese adeguate riducono il rischio di folgorazione.

**b) Evitare il contatto del corpo con superfici dotate di messa a terra, come tubature, caloriferi, fornelli e frigoriferi.** Si registra un aumento del rischio di scossa elettrica quando il corpo risulta in contatto con una messa a terra.

**c) Non esporre utensili elettrici alla pioggia o al rischio di bagnarsi.** L'ingresso di acqua in un utensile elettrico aumenta il rischio di folgorazione.

**d) Non sollecitare eccessivamente il cavo di alimentazione.** Non utilizzare mai il cavo per trasportare, tirare o scollegare l'utensile elettrico. Tenere il cavo al riparo da calore, olio, spigoli vivi o parti in movimento. I cavi danneggiati o aggrovigliati aumentano il rischio di folgorazione.

**e) Quando si utilizza un utensile elettrico in ambiente esterno, impiegare un cavo di prolunga idoneo all'uso all'aperto.** Impiegare un cavo idoneo all'utilizzo all'aperto riduce il rischio di folgorazione.

**f) Qualora sia indispensabile utilizzare l'utensile elettrico in ambiente umido, impiegare un alimentatore protetto dotato di interruttore differenziale (RCD).** L'utilizzo di un RCD riduce il rischio di folgorazione.

**(2.4) 3) Avvertenze generali sulla sicurezza degli utensili elettrici [Sicurezza personale].**

**a) Lavorare con prudenza, controllare le proprie operazioni e utilizzare il buon senso quando si adopera un utensile elettrico.** Non utilizzare un utensile elettrico quando si è stanchi o sotto l'effetto di stupefacenti, alcool o farmaci. Un attimo di distrazione durante l'utilizzo di utensili elettrici può causare gravi lesioni personali.

**b) Utilizzare i dispositivi di protezione personale.** Indossare sempre protezioni per gli occhi. L'utilizzo di equipaggiamento di protezione come maschera antipolvere, calzature anti infortunistiche antidistrucchio, caschetto e protezioni auricolari nelle situazioni idonee riduce il rischio di lesioni personali.

**c) Prevenire attivazioni indesiderate.** Quando si solleva o trasporta l'apparecchio, assicurarsi che l'interruttore sia nella posizione di spegnimento prima di collegarlo a una fonte

di alimentazione e/o a un pacco batterie. Non trasportare un utensile elettrico con le dita sull'interruttore o dare corrente quando tale comando è sulla posizione di accensione.

**d) Rimuovere qualunque chiave o brugola di regolazione prima di avviare l'utensile elettrico.** Una chiave o una brugola rimasta attaccata a una parte rotante di un utensile elettrico può causare lesioni personali.

**e) Non sporgersi troppo.** Mantenere sempre i piedi saldi a terra e un buon equilibrio. Ciò garantisce un controllo migliore dell'utensile elettrico in situazioni impreviste.

**f) Indossare l'abbigliamento adeguato.** Non indossare indumenti larghi o gioielli. Tenere i propri capelli, indumenti e guanti lontani dalle parti in movimento. Indumenti larghi, gioielli e capelli lunghi possono rimanere intrappolati nelle parti in movimento.

**g) Qualora gli apparecchi siano provvisti di collegamento a dispositivi di aspirazione e raccolta polveri, accertarsi che essi siano collegati e utilizzati adeguatamente.** L'utilizzo di un dispositivo per la raccolta di polveri può ridurre i rischi legati alla presenza delle stesse.

**(2.5) 4) Avvertenze generali sulla sicurezza degli utensili elettrici [Utilizzo e cura degli utensili elettrici].**

**a) Non forzare l'utensile elettrico.** Utilizzare l'utensile elettrico adeguato per la propria applicazione. L'utensile elettrico adeguato eseguirà il lavoro in maniera più efficiente e sicura alla velocità per la quale esso è stato progettato.

**b) Non utilizzare l'utensile elettrico se l'interruttore non si accende o non si spegne.** Qualunque utensile elettrico che non possa essere controllato tramite l'interruttore è pericoloso e deve essere riparato.

**c) Scollegare l'utensile elettrico dalla fonte di alimentazione e/o dal pacco batterie prima di eseguire qualunque riparazione, cambio di accessori o di riporlo.** Tali misure preventive di sicurezza riducono il rischio di avviamento accidentale dell'utensile elettrico.

**d) Riporre gli utensili elettrici inattivi e tenerli lontani dalla portata dei bambini. Non consentire a persone che non abbiano familiarità con il loro funzionamento o con le presenti istruzioni di metterli in funzione.** Gli utensili elettrici sono pericolosi nelle mani di utenti inesperti.

**e) Manutenzione degli utensili elettrici.** Verificare l'eventuale disallineamento o l'inceppamento delle parti in movimento, il loro danneggiamento o qualunque altra condizione possa influire sul funzionamento dell'apparecchio. Qualora danneggiato, prima dell'utilizzo far riparare l'utensile elettrico. Numerosi incidenti sono causati da

utensili elettrici soggetti a una manutenzione inadeguata.

**f) Mantenere gli strumenti da taglio affilati e puliti.** Gli strumenti da taglio su cui è stata effettuata un'adeguata manutenzione presentano una probabilità inferiore di incepparsi e sono più facili da controllare.

**g) Utilizzare l'utensile elettrico, gli accessori e le punte di taglio in accordo alle presenti istruzioni, prendendo in considerazione le condizioni di lavorazione e il compito da eseguire.**

L'utilizzo di un utensile elettrico per un compito differente da quello per il quale è stato concepito può comportare rischi.

**(2.6) 5) Avvertenze generali sulla sicurezza degli utensili elettrici [Assistenza]**

**a) Accertarsi di far riparare il proprio utensile elettrico solo da personale qualificato che impieghi ricambi originali e identici. Ciò consentirà di preservare la sicurezza dell'utensile elettrico.**

**Avvertenza sulla sicurezza delle levigatrici**

**a) La protezione in dotazione all'utensile deve essere posizionata in sicurezza e saldamente installata su di esso, in maniera tale che solo una minima porzione del disco sia esposta in direzione dell'operatore.** Posizionarsi insieme agli eventuali presenti a distanza dal piano del disco in movimento. La protezione concorre a proteggere l'operatore da schegge rotte del disco e da un contatto accidentale con esso.

**b) Utilizzare sul presente utensile esclusivamente dischi diamantati o ad alta resistenza.** La possibilità di collegare un qualunque accessorio al presente utensile non rappresenta una garanzia del suo funzionamento in sicurezza.

**c) La velocità nominale dell'accessorio deve essere almeno uguale a quella massima indicata per l'utensile elettrico.** Accessori con una velocità superiore a quella nominale possono rompersi ed essere sballati via.

**d) I dischi da taglio devono essere utilizzati esclusivamente per le applicazioni raccomandate.** Ad esempio: non smerigliare con il lato del disco. I dischi abrasivi sono concepiti per smerigliatura periferica, le forze laterali applicate a essi possono causarne la frantumazione.

**e) Utilizzare sempre flange del diametro corretto per il disco scelto.** Le flange adeguate sostengono il disco riducendo nel contempo la possibilità di rottura.

**f) Non utilizzare dischi usurati e non ad alta resistenza e che provengono da utensili di maggiori dimensioni.** Tali dischi non sono idonei all'utilizzo su un utensile a

velocità più elevata o di dimensioni più ridotte e possono frantumarsi.

**g) Il diametro esterno e lo spessore dell'accessorio devono essere entro i parametri di capacità dichiarati per l'utensile elettrico.** Gli accessori di dimensioni non corrette non possono essere adeguatamente tenuti sotto controllo.

**h) Le dimensioni di mandrino e flangia devono essere adeguate all'albero dell'utensile.** Dischi e flange con fori di diametro che non corrispondono alla struttura di montaggio dell'utensile elettrico provocheranno sbilanciamenti, eccessive vibrazioni e potrebbero essere causa di perdita di controllo.

**g) Non utilizzare dischi danneggiati.**

Prima di ogni utilizzo, ispezionare il disco per verificare l'eventuale presenza di fessure e spacchi. Qualora l'utensile o il disco cada a terra, verificarne l'integrità o installare un disco integro. Dopo aver esaminato e installato il disco, posizionarsi, insieme agli eventuali altri presenti, a distanza dal piano del disco in rotazione e azionare l'utensile alla massima velocità a vuoto per un minuto. Di norma, i dischi danneggiati si rompono durante tale tempo di prova.

**j) Indossare l'equipaggiamento di protezione personale.** In funzione del tipo di applicazione prevista, usare maschera facciale, occhiali o maschera di protezione oculare. Se necessario, indossare maschera antipolvere, protezioni acustiche, guanti e grembiule da lavoro in grado di riparare da piccoli frammenti abrasivi o di materiale di lavoro. Le protezioni oculari devono essere in grado di riparare dai detriti volanti generati dalle varie operazioni. La maschera antipolvere o il respiratore devono essere in grado di filtrare le particelle generate dalle operazioni. Una prolungata esposizione a rumore ad alta intensità può comportare perdita dell'udito.

**k) Tenere i presenti a distanza di sicurezza dalla zona di lavoro.** Tutti coloro che entrano nell'area di lavoro devono indossare i dispositivi di protezione individuale. I frammenti del materiale di lavoro o di un accessorio rotto possono essere sballati lontano e provocare lesioni oltre l'immediata area delle operazioni.

**l) Quando si effettuano operazioni durante le quali l'utensile potrebbe entrare in contatto con fili elettrici nascosti o con il proprio cavo, impugnare l'utensile dalle superfici di presa isolate.** Un accessorio tagliente in contatto con un filo elettrico attivo potrebbe rendere conduttive le parti metalliche esposte dell'utensile e provocare una scossa elettrica per l'operatore.

**m) Posizionare il cavo al sicuro dagli accessori in rotazione.** Qualora si perda il controllo, il cavo potrebbe essere tagliato o rimanere impigliato e la mano o braccio

dell'operatore potrebbero essere tirati in direzione dell'accessorio rotante.

**n) Non posare mai l'utensile fin quando l'accessorio non ha smesso del tutto di muoversi.** Il disco rotante potrebbe agganciarsi alla superficie di appoggio e far perdere il controllo dell'utensile.

**o) Non azionare l'utensile elettrico mentre lo si trasporta.** Un contatto accidentale con un accessorio in rotazione potrebbe far impigliare gli abiti, spingendo l'accessorio stesso verso l'operatore.

**p) Pulire regolarmente le prese di areazione dell'utensile.** La ventola attirerà polvere all'interno del vano motore e l'eccessivo accumulo di polvere di metallo potrebbe causare pericoli elettrici.

**q) Non azionare l'utensile elettrico nelle vicinanze di materiali infiammabili.** Le scintille potrebbero incendiare tali materiali.

**r) Non utilizzare accessori che necessitino di liquidi refrigeranti.** Utilizzare acqua o altri liquidi refrigeranti può causare folgorazione o scosse elettriche.

#### Rinculo e avvertenze conseguenti

Il rinculo rappresenta una reazione improvvisa allo schiacciamento o all'incastarsi di un disco in rotazione. Lo schiacciamento o l'incastarsi causano un rapido stallo del disco in rotazione che di rimando produce uno sbalzo violento nella direzione opposta a quella della rotazione del disco stesso nel punto di inceppo.

Ad esempio, nel caso in cui un disco abrasivo rimanga bloccato o incastrato in un pezzo di materiale, il bordo che giunge sul punto di inceppo potrebbe penetrare nella superficie del pezzo facendo innalzare il disco stesso o sbalzandolo via. Il disco potrebbe andare in direzione dell'operatore o in quella opposta, in base alla direzione del suo stesso movimento nel punto di inceppo. I dischi abrasivi possono anche rompersi in tali circostanze.

Il fenomeno del rinculo è il risultato di un utilizzo scorretto dell'utensile e/o di procedure e condizioni di lavorazione errate e può essere evitato adottando le idonee precauzioni sotto descritte.

**a) Mantenere una presa salda sull'utensile e posizionare le proprie braccia e il corpo in maniera tale da resistere alla spinta di un eventuale rinculo.** Utilizzare sempre la maniglia secondaria, se presente, per avere il massimo controllo sul rinculo o sul contraccolpo all'avvio. L'operatore può controllare i contraccolpi o le spinte del rinculo adottando le idonee precauzioni.

**b) Non mettere mai le proprie mani vicino a un accessorio in rotazione.** Il rinculo dell'accessorio può avvenire in direzione delle mani.

**c) Non posizionare il proprio corpo in linea con il disco in rotazione.** Il rinculo sbalzerà l'utensile nella direzione opposta a quella del disco nel punto di inceppo.

**d) Prestare particolare attenzione quando si lavorano angoli, spigoli vivi ecc. Evitare di far sobbalzare o incastrare l'accessorio.** Gli angoli, gli spigoli vivi o un sobbalzo rappresentano dei rischi maggiori di incastro per un accessorio in rotazione con la conseguente possibilità di perdita del controllo o rinculo.

**e) Non installare una catena da intaglio per motosega o un disco dentato diamantato da sega a nastro con una distanza periferica inter dente superiore a 10 mm.** Tali lame possono provocare frequenti fenomeni di rinculo e perdita di controllo.

**f) Non schiacciare il disco o applicare eccessiva pressione.** Non cercare di eseguire un taglio con profondità eccessiva. Sforzare un disco accresce il suo carico di lavoro e il rischio di inceppamento, rottura o rinculo.

**g) Quando un disco si blocca, o se è necessario per qualunque ragione interrompere un taglio, rilasciare l'interruttore a pressione e mantenere la sega spenta nel taglio del materiale fin quando la lama non si sia del tutto fermata.** Non cercare mai di rimuovere la sega dal materiale o di spingerla indietro mentre la lama è in movimento, altrimenti potrebbe verificarsi un rinculo. Ispezionare e prendere le adeguate contromisure per evitare le possibili cause di inceppamento del disco.

**h) Non riprendere l'operazione di taglio sul pezzo in lavorazione.** Lasciare raggiungere al disco la massima velocità e reinserirlo con attenzione nel solco di taglio. Il disco può incepparsi, essere sbalzato fuori o respinto dal pezzo in lavorazione nel momento in cui si riavvia la lavorazione.

**i) Pannelli di sostegno per un pezzo di dimensioni extra minimizzano il rischio di inceppamento del disco e di rinculo.** Pezzi di larghe dimensioni tendono a cadere sotto il loro stesso peso. Deve essere posizionato un sostegno sotto il pezzo in lavorazione vicino alla linea di taglio e vicino ai suoi bordi su entrambi i lati del disco.

**j) Prestare massima attenzione quando si effettua un taglio a incavo in una parete esistente o in angolo cieco.** Il disco sporgente potrebbe tagliare tubazioni del gas o dell'acqua, fili elettrici o oggetti che potrebbero causare un effetto di rinculo.

#### (2.7) INDICAZIONI SANITARIE

**ATTENZIONE:** Durante l'utilizzo dell'utensile, si possono produrre particelle di polvere. In alcune circostanze, a seconda dei materiali con i quali si sta lavorando, tali polveri possono risultare particolarmente dannose. Qualora si abbia il sospetto che la vernice sulle



superfici del materiale contenga piombo, richiedere una consulenza professionale. Le vernici a base di piombo devono essere rimosse esclusivamente da professionisti. Si sconsiglia fortemente di provare a farlo per conto proprio. Una volta che la polvere si è depositata sulle superfici, il contatto tra mani e bocca può causare l'ingestione di piombo. L'esposizione a livelli anche minimi di piombo può causare danni neurologici e al sistema nervoso irreversibili. Bambini e feti sono particolarmente sensibili a tale pericolo. Si consiglia di prendere in considerazione i pericoli associati ai materiali sui quali si opera e di ridurre il rischio di esposizione. Data la potenziale pericolosità delle polveri prodotte da alcuni materiali, raccomandiamo, durante l'utilizzo del presente utensile, di usare una mascherina certificata per naso e bocca con filtri sostituibili.

#### È sempre necessario:

- Lavorare in un'area ben ventilata.
- Lavorare con materiale di sicurezza approvato, come maschere antipolvere specificamente progettate per filtrare particelle microscopiche.

**(2.8) ATTENZIONE:** il funzionamento di qualunque utensile elettrico può comportare l'eventualità che un oggetto estraneo sia scagliato verso gli occhi, causando lesioni oculari gravi. Prima di iniziare a utilizzare un utensile elettrico, indossare sempre occhiali di protezione o occhiali di sicurezza con protezioni laterali o una maschera facciale completa quando necessario.

#### ISTRUZIONI SUPPLEMENTARI SULLA SICUREZZA

**ATTENZIONE:** Scollegare sempre la sega da calcestruzzo dall'alimentazione elettrica prima di pulirla, effettuare operazioni di manutenzione o per la sostituzione della lama.

- **Tenere le mani distanti dall'area di taglio della lama.** Se entrambe le mani sono sulle impugnature, non potranno essere soggette a contatti con la lama diamantata.
- **Non inserire mai il pulsante di blocco mandrino mentre l'utensile è in funzione.** Possono verificarsi in tal caso seri danni per l'utensile e potenzialmente una situazione pericolosa per l'operatore.
- **Utilizzare esclusivamente dischi diamantati o altri dischi omologati specificati dal produttore.**
- **Verificare sempre e a vista la lama diamantata prima di avviare l'utensile.** Qualora sia scheggiato, fessurato o deformato, non utilizzarlo. Avviare con attenzione l'utensile e verificare l'occorrenza di rumori o vibrazioni insoliti o altre anomalie.

- **Prestare attenzione quando si tagliano metalli.** Utilizzando una lama diamantata per tagliare metallo (come ferri e vergelle da armatura nel cemento armato) si accorcerà la durata di utilizzabilità del disco. Quando possibile utilizzare una lama specifica per il taglio di metallo.
- **Consentire al disco da taglio di raggiungere la piena velocità prima di intraprendere le procedure.** Iniziare il lavoro solo una volta raggiunta la velocità massima.
- **Non usare eccessiva forza.** Una forza eccessiva sovraccarica il motore e ne riduce l'efficienza e la durata operativa.
- **Tagliare sempre calcestruzzo, pietra e mattonelle a una profondità massima di 50 mm o inferiore.** Se la profondità di taglio definitiva richiesta è maggiore di 50 mm, tagliare il pezzo in 2 o 3 volte. Provando a raggiungere una profondità di taglio maggiore di 50 mm in un'unica operazione di taglio, la durata di vita della lama può accorciarsi ed è possibile causare un guasto al motore.
- **Installare la protezione dell'attacco per aspirazione polvere quando non è in utilizzo il manico per la raccolta polvere.** Durante le operazioni di taglio possono generarsi scintille. Coprire l'attacco di aspirazione della polvere con il suo tappo di gomma e assicurarsi di indossare occhiali protettivi.
- **Non utilizzare mai un dado per mandrino o una flangia da lama errati.** Le flange della lama e il dado del mandrino sono stati appositamente realizzati per l'utensile, per garantire il massimo delle prestazioni durante il funzionamento.
- **Il presente utensile è dotato di un modello di presa elettrica e di un cavo di alimentazione idonei al mercato di destinazione.** Non sostituire o modificare in alcuna circostanza il cavo o la spina. Qualora il cavo di alimentazione o la spina siano in alcun modo danneggiati, essi devono essere sostituiti con ricambi originali da un tecnico qualificato.
- **Laddove possibile, utilizzare sempre un metodo per il controllo della polvere prodotta durante il taglio di calcestruzzo, che sia l'aspirazione o la soppressione a mezzo acqua.** Qualora si utilizzino degli aspiratori di polvere in combinazione con le seghe a disco Evolution, verificare che essi siano certificati in Classe M o Classe H per il taglio di calcestruzzo.

**ATTENZIONE:** Il presente utensile non deve essere utilizzato per tagliare alcun materiale che possa contenere amianto. Se si sospetta la presenza di amianto, consultare l'autorità competente per ottenere indicazioni.

#### DPI (Dispositivi di Protezione Individuale)

**Avvertenza:** Qualora si utilizzi l'apparecchio in cantiere, è importante che l'operatore si adegui a tutte le regole/normative in vigore sul posto. Consultare il caposquadra o il responsabile per dettagli.

- **Indossare vestiario adeguato.** Ciò potrebbe includere una tuta integrale, una copertura imbottita e una giacca ad alta visibilità, ecc.
- **Indossare calzature adeguate.** Si raccomandano scarpe anti infortunistiche con punta rinforzata in acciaio e suola anti sdrucciolo.
- **Indossare occhiali di sicurezza adeguati.** Si raccomanda una protezione facciale integrale o occhiali di sicurezza con protezioni laterali.
- **Proteggere l'udito.** Indossare protezioni acustiche adeguate.
- **Indossare guanti adeguati.** Si raccomandano guanti a elevata presa.
- **Indossare protezioni respiratorie.** Si raccomanda l'utilizzo di una maschera con filtri sostituibili che fornisca protezione dalle polveri, fibre e vapori tossici.
- **Indossare un casco di sicurezza.** L'uso di un casco di sicurezza può essere obbligatorio in alcuni cantieri per difendere l'operatore da potenziali pericoli sospesi.

#### (4.1) INFORMAZIONI INTRODUTTIVE - DISIMBALLAGGIO

**Attenzione:** Il pacco contiene oggetti taglienti. Prestare attenzione durante l'apertura. Rimuovere l'apparecchio insieme agli accessori inclusi nell'imballo. Controllare attentamente che l'apparecchio sia in buone condizioni e verificare che siano presenti tutti gli accessori elencati nel presente manuale. Accertarsi inoltre che tutti gli accessori siano completi in ogni loro parte. Qualora si riscontrino parti mancanti, l'apparecchio e i suoi accessori devono essere restituiti al rivenditore insieme all'imballo originale. Non gettare via l'imballo. Conservarlo intatto per la durata del periodo di garanzia. Smaltire il materiale d'imballaggio in maniera eco-responsabile. Riciclare laddove possibile. Non consentire ai bambini di giocare con le buste di plastica vuote a causa del rischio di soffocamento.

#### (4.2) COMPONENTI IN DOTAZIONE

DESCRIZIONE	QUANTITÀ
Manuale di istruzioni	1
Lama*	1
Attrezzo polifunzionale (regolazioni)	1
Carrello a ruote	1
Tappo in gomma (attacco di aspirazione)	1
Connettore del tubo (R300DCT+)	1

\* Alcuni modelli sono forniti senza lama. Vedere la tabella delle specifiche per i dettagli.

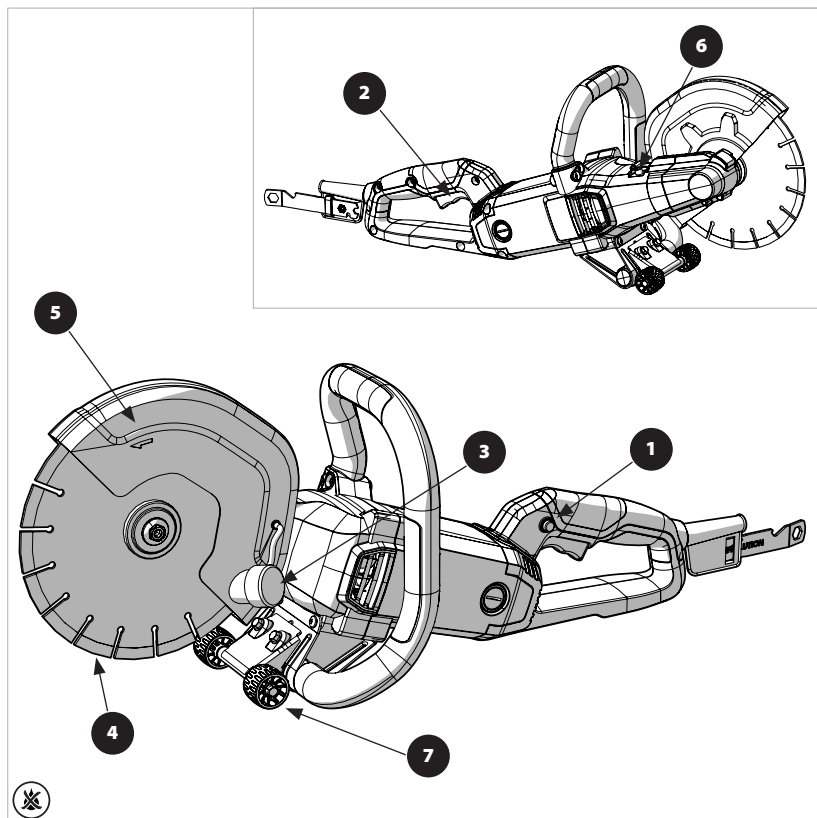
#### (4.3) ACCESSORI AGGIUNTIVI

In aggiunta ai componenti standard forniti unitamente all'apparecchio, sono disponibili sul negozio online di Evolution anche i seguenti accessori all'indirizzo [www.evolutionpowertools.com](http://www.evolutionpowertools.com) o tramite il proprio rivenditore locale.

#### (4.4)

DESCRIZIONE	PARTE N
Lame da taglio speciali sono disponibili	Contattare l'assistenza telefonica Evolution per maggiori informazioni e dettagli
Flacone da pompa manuale per l'acqua	Contattare l'assistenza telefonica Evolution per maggiori informazioni e dettagli
Flacone da pompa a pedale per l'acqua	Contattare l'assistenza telefonica Evolution per maggiori informazioni e dettagli
Custodia da trasporto	Contattare l'assistenza telefonica Evolution per maggiori informazioni e dettagli
Adattatori attacco polvere	Contattare l'assistenza telefonica Evolution per maggiori informazioni e dettagli
Kit per il taglio a umido (per convertire il modello R300DCT)	Contattare l'assistenza telefonica Evolution per maggiori informazioni e dettagli

## PANORAMICA DELL'UTENSILE R230DCT



1. Pulsante di avvio sicuro

2. Interruttore a pressione

3. Attacco per aspirazione polvere

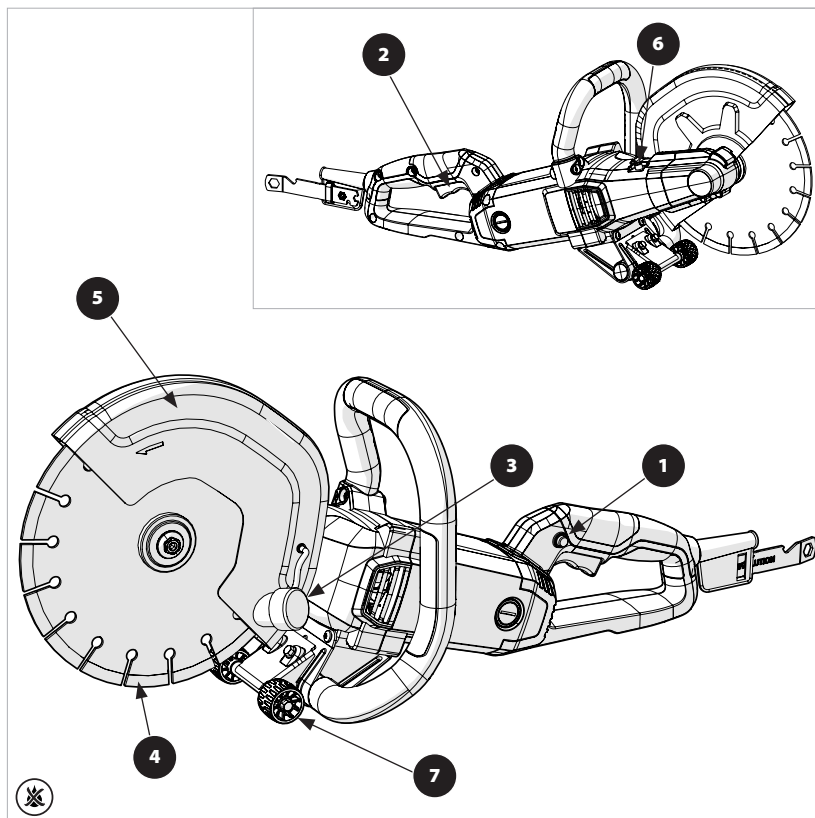
4. Disco da taglio

5. Coprilama

6. Pulsante di blocco mandrino

7. Carrello a ruote

**PANORAMICA DELL'UTENSILE R255DCT**



**1.** Pulsante di avvio sicuro

**2.** Interruttore a pressione

**3.** Attacco per aspirazione polvere

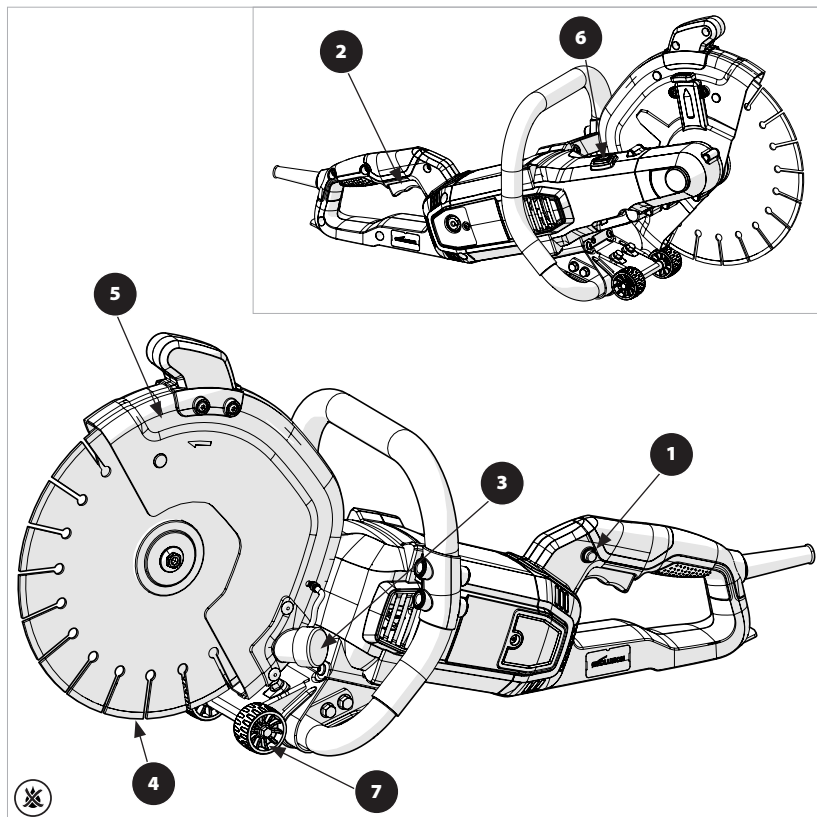
**4.** Disco da taglio

**5.** Coprilama

**6.** Pulsante di blocco mandrino

**7.** Carrello a ruote

### PANORAMICA DELL'UTENSILE R300DCT



**1.** Pulsante di avvio sicuro

**2.** Interruttore a pressione

**3.** Attacco per aspirazione polvere

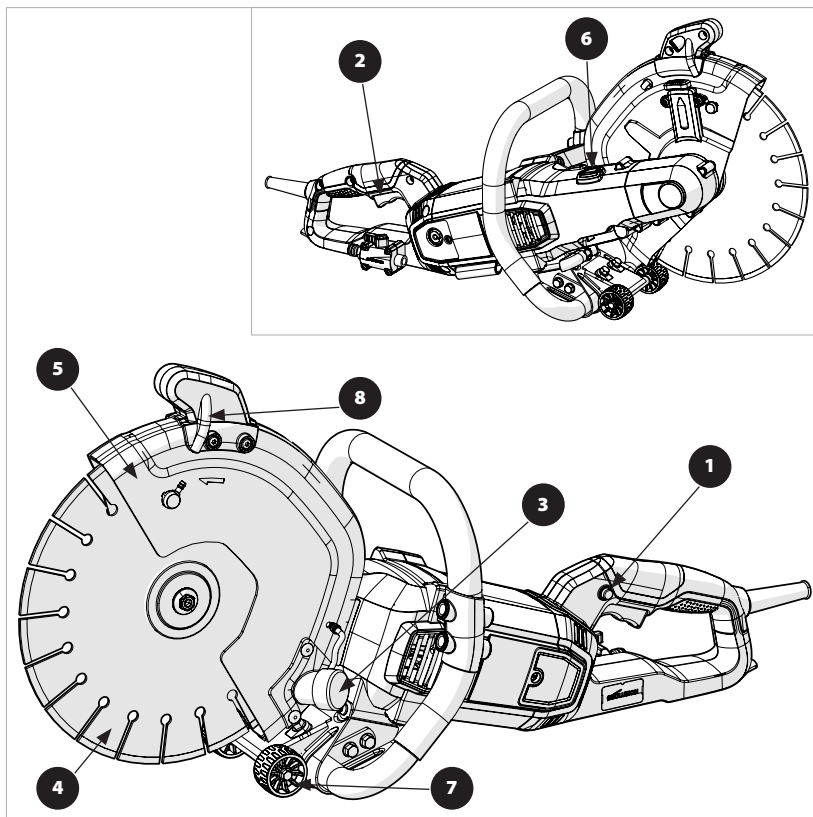
**4.** Disco da taglio

**5.** Coprilama regolabile

**6.** Pulsante di blocco mandrino

**7.** Carrello a ruote

**PANORAMICA DELL'UTENSILE R300DCT+**



- 1.** Pulsante di avvio sicuro
- 2.** Interruttore a pressione
- 3.** Attacco per aspirazione polvere
- 4.** Disco da taglio

- 5.** Coprilama regolabile
- 6.** Pulsante di blocco mandrino
- 7.** Carrello a ruote
- 8.** Alimentazione acqua

### **DESCRIZIONE GENERALE**

Le seghe da calcestruzzo Evolution sono state progettate per integrare numerose specifiche e funzioni mirate al risparmio di tempo. Alcune di queste funzioni sono comuni a tutta la gamma.

Fare riferimento alla sezione dedicata alle specifiche presente sul manuale di istruzioni per identificare le determinate funzioni di ciascun modello.

### **Funzioni comuni:**

- Interruttore di sicurezza a pressione ON/OFF
- Impugnature anteriore e posteriore ergonomiche e ad ampia presa per dare maggiore controllo all'operatore e favorirne la sicurezza.
- Eccellente rapporto di peso tra impugnatura anteriore e posteriore per dare comodità e ridurre la fatica dell'operatore.
- Impugnature anteriore e posteriore isolate elettricamente dalle parti in metallo dell'utensile.
- Capacità di aspirazione della polvere.
- Cavo di alimentazione rivestito in gomma di qualità.
- Paramotore rinforzato in acciaio.
- Carrello a ruote rimovibile.
- Attrezzo polifunzionale per le regolazioni
- Alloggiamento integrato per riporre l'attrezzo polifunzionale
- Spazzole motore sostituibili

**Avvertenza:** Ove necessario, le funzioni specifiche dell'utensile sono riportate nel presente manuale.

### **FLANGE LAMA**

**USA:** Gli utensili destinati al mercato USA hanno in dotazione flange lama che ospitano lame con foro del mandrino di diametro Ø 25,4 mm (Ø 1 In.) per le lame da 12 In., e di diametro Ø 22,2 mm (Ø 7/8 In.) per le lame da 9 e 10 In.

**ALTRI MERCATI:** Gli altri utensili hanno in dotazione flange lame che possono accogliere lame sia con un foro del mandrino di diametro Ø 20 mm (Ø 3/4 In.) che di diametro Ø 22,2 mm (Ø 7/8 In.) a seconda di come esse siano installate.

**INSTALLAZIONE DELLA LAMA.**

(Fori lama Ø 20 mm Ø 22,2 mm E Ø 25,4 mm)

**ATTENZIONE:** Scollegare sempre l'utensile dall'alimentazione prima di effettuare l'installazione o la rimozione di una lama.

- Assicurarsi che il mandrino e le flange della lama siano pulite e libere da detriti di qualsiasi tipo.
- Assicurarsi che la freccia di direzione della rotazione segnata sulla lama combaci con la direzione di rotazione che si trova sulla protezione dell'utensile.
- Installare la flangia della lama (a) sul lato interno della lama. (Fig. 1)
- Installare la lama facendo riferimento alle frecce che indicano la direzione della rotazione.
- Installare la flangia esterna della lama (b) e inserire il relativo dado (c) idoneo al proprio utensile sul mandrino stesso. (Fig. 1)

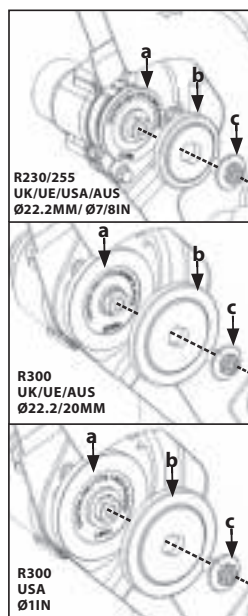
**Tutti gli utensili:**

- Spingere il blocco del mandrino per bloccarlo. (Fig. 2)
- Stringere il dado del mandrino tramite l'attrezzo polifunzionale in dotazione. (Fig. 3)
- Rilasciare il blocco mandrino.
- Ruotare con attenzione a mano la lama e verificare che sia ferma, correttamente posizionata sulla flangia della lama e che ruoti liberamente.

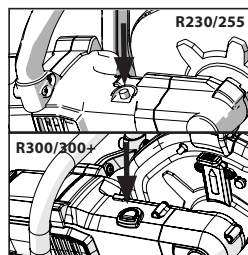
**RIMOZIONE DELLA LAMA**

(Tutti gli utensili Evolution)

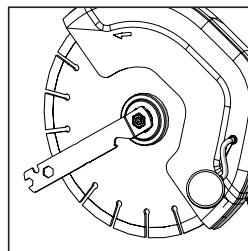
- Spingere il blocco del mandrino per bloccarlo.
- Allentare e rimuovere il dato del mandrino tramite l'attrezzo polifunzionale in dotazione.
- Rimuovere la rondella esterna e la flangia della lama.
- Rimuovere la lama.
- Se necessario rimuovere la flangia interna della lama per controllo e/o pulizia.



**FIG. 1**



**FIG. 2**



**FIG. 3**



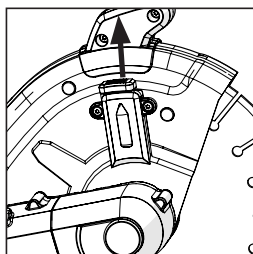


FIG. 4

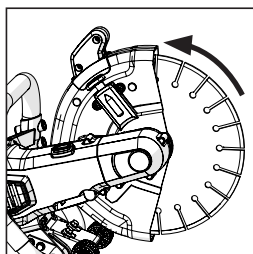


FIG. 5

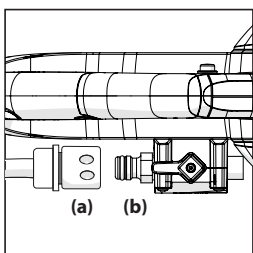


FIG. 6a &amp; b

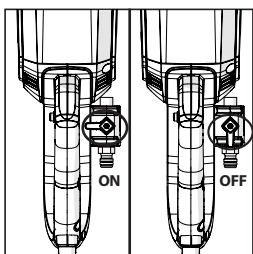


FIG. 6c

### COPRILAMA REGOLABILE (R300 DCT+ e R300 DCT)

Il coprilama in dotazione su questi modelli è regolabile. Deve essere posizionato in maniera tale da offrire all'operatore la migliore combinazione di protezione personale e visibilità della linea di taglio.

**Avvertenza:** I modelli R255 DCT e R230 DCT hanno in dotazione coprilama fissi.

**Per regolare il coprilama:**

**ATTENZIONE:** Scollegare l'utensile dall'alimentazione elettrica prima di riposizionare il coprilama.

- Azionare il sistema di blocco del coprilama tirando verso l'alto il perno di blocco. (Fig. 4)
- Ruotare il coprilama nella posizione ideale usando la manopola di rotazione del coprilama. (Fig. 5)
- Rilasciare il perno di blocco.
- Verificare la sicurezza del coprilama.

### SISTEMA DI SOPPRESSIONE DELLA POLVERE (Modello R300 DCT+)

Il modello R300 DCT+ è equipaggiato con un sistema di soppressione della polvere. Tale sistema erogherà un getto d'acqua di uguale portata e pressione su entrambi i lati della lama.

**Avvertenza:** Il modello R300 DCT è preventivamente preparato per installare posteriormente un sistema di soppressione della polvere. Contattare il proprio distributore o l'assistenza telefonica di Evolution per ulteriori dettagli.

**Utilizzare il sistema di soppressione della polvere:**

- Collegare un tubo dalla fonte di erogazione dell'acqua. Essa può provenire dal rubinetto dell'acqua corrente o da un sistema a flacone per l'acqua di Evolution.
- Spingere il connettore del tubo (Fig. 6a) sull'adattatore del tubo della valvola dell'acqua (Fig. 6b) fino ad avvertire un click che segnalerà che il connettore è agganciato.
- Una volta collegata la fonte dell'acqua, pressurizzarla o tramite il pompaggio del flacone o aprendo il rubinetto di erogazione diretta.
- Aprire la valvola dell'acqua per irrorare la lama. Il flusso può essere regolato dalla valvola dell'acqua sulla sega. (Fig. 6c)
- Dopo aver completato il taglio, spegnere l'utensile, girare la valvola dell'acqua (3) per fermare il suo flusso sulla lama.
- Scollegare la sega dalla fonte d'acqua tirando indietro la ghiera di rilascio del connettore del tubo.

**Avvertenza:** Regolare il sistema in maniera tale che sia erogata solo la quantità giusta di acqua per sopprimere in maniera efficace la polvere creata dalle operazioni di taglio.

**ATTENZIONE:** Accertarsi che il tubo utilizzato per l'immissione di acqua nell'utensile sia della lunghezza adeguata. I tubi devono essere posizionati in maniera tale da non costituire intralcio o alcuna altra forma di pericolo.

**ATTENZIONE:** Tenere i liquidi e qualunque estraneo lontani dall'utensile nell'area di lavoro.

**Avvertenza:** La pressione massima consentita per il liquido è di 5,5 BAR.

**Avvertenza:** Quando inutilizzato, svuotare il tubo di ogni residuo di acqua. Tenere il serbatoio e le sue parti puliti e privi di detriti.

Il modello R300DCT+ monta **un alimentatore con interruttore differenziale (RCD)**. Per il suo funzionamento si prega di seguire le seguenti istruzioni:

- Una volta collegata la sega all'alimentazione, l'RCD dovrà essere resettato prima dell'accensione dell'utensile.
- Collegare la sega, premere il pulsante di reset sull'RCD, sarà udibile un click. **(Fig. 7a)**
- La finestrella indicatore diventerà ROSSA per segnalare l'accensione. **(Fig. 7b)**
- Per eseguire una verifica, premere il pulsante TEST. Nuovamente sarà udibile un click e la finestrella indicatore diventerà nera per segnalare lo spegnimento. **(Fig. 7c)**
- Spingere di nuovo il pulsante RESET per resettare e utilizzare la sega.

**Avvertenza:** Se l'RCD scatta durante l'utilizzo, premere semplicemente RESET.

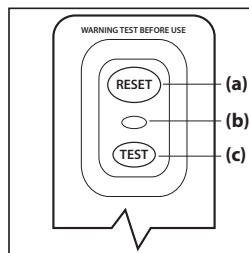
**DOPPIO CARRELLO A RUOTE  
(Tutti gli utensili Evolution)**

Su tutti gli utensili è in dotazione un doppio carrello a ruote **(Fig. 8)**. Una volta montato **(Fig. 9)** esso può fornire ulteriore stabilità (e comodità per l'operatore) in particolar modo per i tagli orizzontali e al livello del terreno.

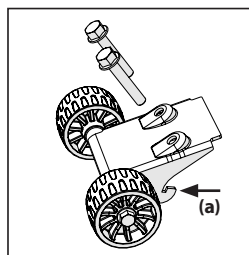
Esso garantirà inoltre che la lama non entri in contatto con il terreno quando l'utensile è adagiato a terra tra un taglio e l'altro.

Per installare il carrello:

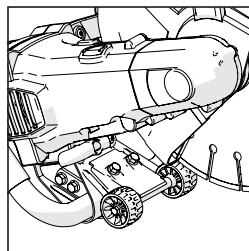
- Inserire i ganci **(Fig 8a)** negli appositi alloggiamenti sul lato inferiore del paramotore.
- Utilizzare i dadi del carrello ricevuti in dotazione per bloccare il carrello all'utensile. **(Fig. 10)**



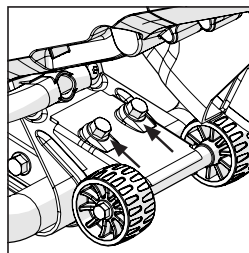
**FIG. 7**



**FIG. 8**



**FIG. 9**



**FIG. 10**

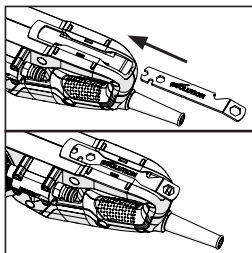


FIG. 11

### ALLOGGIAMENTO INTEGRATO PER RIPORRE L'ATTREZZO POLIFUNZIONALE.

Tutti gli utensili Evolution sono dotati di un alloggiamento integrato per riporre l'attrezzo polifunzionale in dotazione.

#### R300 DCT+ e R300 DCT

L'alloggiamento è posizionato sotto l'impugnatura. (Fig. 11)

#### R225 DCT e R230 DCT

L'alloggiamento è costituito dalla tasca incorporata nell'occhiello di rinforzo del cavo di alimentazione. (Fig.12)

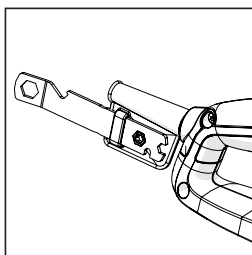


FIG. 12

### COLLEGARE UN DISPOSITIVO DI ASPIRAZIONE POLVERE.

(Tutti gli utensili Evolution)

**ATTENZIONE:** La polvere può essere molto pericolosa. Raccomandiamo vivamente l'utilizzo di un adeguato dispositivo di aspirazione (non in dotazione) in combinazione con i presenti utensili, in maniera tale da mantenere l'ambiente di lavoro il più pulito e sicuro possibile.

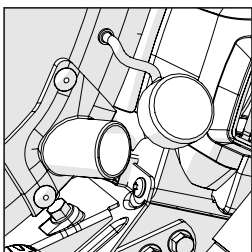


FIG. 13

Il tubo di connessione del dispositivo di aspirazione polvere deve essere collegato all'apposito attacco per l'aspirazione presente sul coprilama.

- Rimuovere il tappo di gomma dall'attacco di aspirazione (Fig. 13) e conservarlo al sicuro per il successivo reinserimento.
- Spingere il tubo di connessione dal dispositivo di estrazione nel attacco di aspirazione utilizzando un adattatore adeguato. (Fig. 14)
- Seguire le istruzioni fornite con il dispositivo di aspirazione polvere.
- Assicurarsi che il tubo o il cavo di alimentazione di un dispositivo di aspirazione collegato non costituiscano un rischio di inciampo o di altro pericolo.
- Quando il dispositivo di aspirazione non è più necessario, scollegarlo dalla sega per calcestruzzo e riposizionare il tappo di gomma sull'attacco di aspirazione.

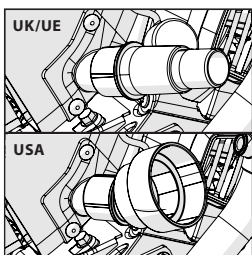


FIG. 14

**NOTA:** Qualora si utilizzino degli aspiratori di polvere in combinazione con le seghe a disco Evolution, verificare che essi siano certificati in Classe M o Classe H per il taglio di calcestruzzo.

**L'INTERRUTTORE A PRESSIONE ON/OFF (Fig. 15)  
(Tutti gli utensili Evolution)**

**Avvertenza:** I presenti utensili sono equipaggiati con un interruttore di sicurezza a pressione.

**Per avviare l'utensile:**

- Premere con il pollice il pulsante di blocco di sicurezza posto sul lato dell'impugnatura.
- Lasciar salire l'interruttore a pressione principale per avviare il motore.

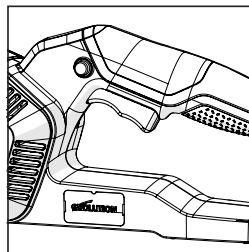
**ATTENZIONE:** La sega non deve mai essere avviata con il bordo di taglio a diretto contatto con una qualunque parte del pezzo da lavorare.

**INDICAZIONI PER IL TAGLIO**

**Avvertenza:** Considerato che Evolution Power Tools non può esercitare controllo sul modo in cui la propria attrezzatura è utilizzata, le seguenti linee guida (a titolo non esaustivo) costituiscono un modo per assistere gli operatori in un utilizzo sicuro ed efficace.

**VERIFICHE PRE-TAGLIO**

- Assicurarsi che l'alimentazione elettrica sia compatibile con i requisiti specificati sulla targhetta descrittiva dell'utensile.
- Accertarsi che l'interruttore a pressione sia in posizione spenta (OFF). Nel caso in cui l'utensile fosse connesso a una fonte di alimentazione con l'interruttore di avvio sulla posizione ON, esso potrebbe iniziare a funzionare immediatamente con la possibilità di provocare un grave incidente.
- Qualora sia necessario un cavo di prolunga, deve essere di tipo idoneo all'ambiente di lavoro. Qualora usato in ambiente esterno, deve essere impermeabile e come tale etichettato.
- Quando si utilizza un cavo di prolunga, devono essere rispettate le istruzioni del produttore.
- Disporre qualunque cavo di prolunga in maniera tale che non costituisca un rischio di inciampo (o di altro tipo) per l'operatore, i colleghi o per i presenti

**FIG. 15**

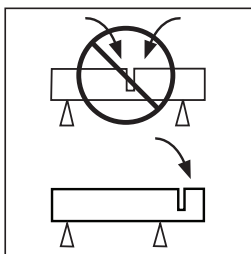


FIG. 16

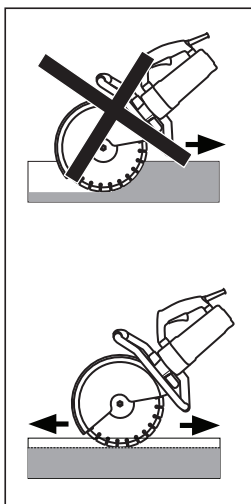


FIG. 17

### PROCEDURE DI TAGLIO

Segnare le linee di taglio sul pezzo da lavorare usando un mezzo adatto - matita pennarello, gesso, ecc. Tutte le linee di taglio devono essere chiare e di facile interpretazione.

- Qualora possibile, sostenere il pezzo da lavorare in maniera da avere la possibilità di prevedere cosa succederà, e in modo che il taglio rimanga stabile e aperto durante la lavorazione. **(Fig. 16)**
- Allineare la lama alle linee di taglio premarcate. Accertarsi che la lama non sia a contatto con il pezzo da lavorare prima di iniziare l'operazione di taglio.
- Avviare l'utensile portandolo su ON e consentire alla lama di raggiungere la sua piena velocità operativa.
- Accompagnare delicatamente la lama nel pezzo da lavorare. Il risultato sarà migliore seguendo con precisione le linee di taglio tracciate. Non eseguire tagli di profondità maggiore a 50 mm (2 In.). **(Fig. 17)**
- Qualora sia necessario eseguire un taglio di profondità maggiore di 50 mm (2 In.), si consiglia di effettuarlo in più passaggi.
- Tagliare delicatamente, consentendo all'utensile di lavorare senza forzare la lama.

**ATTENZIONE:** Non cercare di tagliare secondo linee curve o a zig zag. Non utilizzare mai il lato della lama come superficie di taglio. Non eseguire mai tagli inclinati.

- Muovere la lama in avanti e indietro e cercare di creare una area ridotta di contatto tra essa e il pezzo in lavorazione. Ciò riduce la temperatura della lama e assicura un taglio riuscito.
- Se la lama si incastra o si avverte qualunque rumore anomalo, spegnere immediatamente l'utensile portandolo su OFF e cercare la causa. Determinare la causa del rumore e dell'arresto. Riprendere il taglio esclusivamente nel caso sia sicuro farlo.
- Accompagnare verso il basso l'utensile in linea con la lama. Una pressione laterale sulla lama può danneggiarla o essere pericolosa.

## MANUTENZIONE

**ATTENZIONE:** Ogni attività di manutenzione deve essere condotta a utensile spento e disconnesso dalla fonte di alimentazione.

Verificare su base regolare che tutte le funzioni di sicurezza e i coprilama funzionino correttamente. Utilizzare il presente utensile soltanto se tutte le protezioni/funzioni di sicurezza sono del tutto operative.

Tutti i cuscinetti a sfera del presente utensile sono lubrificati a vita. Non è richiesta ulteriore lubrificazione.

Utilizzare un panno pulito e leggermente umido per pulire le parti in plastica dell'apparecchio. Non utilizzare solventi o simili prodotti che potrebbero danneggiare le parti in plastica o in gomma dell'utensile.

Rimuovere la lama dall'utensile darà accesso all'interno del coprilama. Gli accumuli di detriti possono essere rimossi usando un raschietto non metallico e non affilato o un attrezzo affine (non in dotazione).

**ATTENZIONE:** Non tentare di pulire l'utensile inserendo oggetti appuntiti nelle aperture della struttura dell'apparecchio ecc. Le prese di areazione devono essere pulite tramite getti di aria compressa. Rispettare tutte le dovute precauzioni sanitarie nell'uso di aria compressa per le operazioni di pulizia.

Un numero eccessivo di scintille può indicare la presenza di detriti nel motore o spazzole di carbone usurate.

Se si ritiene plausibile tale evenienza, è necessario che un tecnico qualificato intervenga sul motore e sostituisca le spazzole.

## TUTELA AMBIENTALE

I rifiuti di materiale elettrico non devono essere smaltiti insieme a quelli domestici. Si prega di riciclare laddove siano presenti adeguate infrastrutture. Verificare con il proprio ente responsabile locale o con il rivenditore le indicazioni per il riciclo.



## DICHIARAZIONE DI CONFORMITÀ



Il produttore del prodotto oggetto della presente dichiarazione:

**UK:** Evolution Power Tools Ltd. Venture One, Longacre Close, Holbrook Industrial Estate, Sheffield, S20 3FR.  
**FR:** Evolution Power Tools SAS. 61 Avenue Lafontaine, 33560, Carbon-Blanc, Bordeaux, France.

Il produttore dichiara di seguito che l'utensile, come illustrato nella presente dichiarazione, soddisfa le disposizioni pertinenti della Direttiva Macchine e delle altre direttive idonee come di seguito descritto. Il produttore dichiara inoltre che l'apparecchio, così come illustrato nella presente dichiarazione, laddove applicabile, soddisfa le disposizioni pertinenti della normativa relativa ai requisiti essenziali di sicurezza e tutela della salute (EHSRs).

### The Directives covered by this Declaration are as detailed below:

<b>2006/42/EC.</b>	Direttiva Macchine.
<b>2014/30/EU.</b>	Direttiva Compatibilità Elettromagnetica.
<b>2011/65/EU. &amp; 2015/863/EU.</b>	La Direttiva circa la restrizione all'uso di sostanze pericolose nelle apparecchiature elettriche ed elettroniche (RoHS).
<b>2002/96/EC.</b>	come emendato da 2003/108/EC Direttiva sui Rifiuti da Apparecchiature Elettriche ed Elettroniche (WEEE).

### Ed è conforme ai requisiti applicabili dei seguenti documenti

**EN 60745-1/A11:2010 • EN 60745-2-22: 2011+A11: 2013 • EN 55014-1: 2017 • EN 55014-2: 2015 • EN IEC 61000-3-2:2019 • EN 61000-3-3:2013+A1:2019**

### Dettagli prodotto

Descrizione:	Evolution 230mm (9") <b>R230DCT</b> Electric Disc Cutter Evolution 255mm (10") <b>R255DCT</b> Electric Disc Cutter Evolution 300mm (12") <b>R300DCT</b> Electric Disc Cutter Evolution 300mm (12") <b>R300DCT+</b> Electric Disc Cutter
Marca:	Evolution Build
Voltaggio:	110V ~ 50Hz 220-240V ~ 50Hz Ingresso: 110V: 1600/2000W 230-240V: 2400W / 2000W

La documentazione tecnica a suffragio della compatibilità del prodotto con i requisiti della direttiva è stata redatta e messa a disposizione per la consultazione da parte delle autorità preposte pertinenti. Essa dimostra che le nostre schede tecniche contengono i documenti sopra elencati e che soddisfano i criteri corretti per il prodotto così come in precedenza illustrato.

### Nome e indirizzo del titolare della documentazione tecnica.

Firmato:  Stampa: Barry Bloomer  
 CEO

Data: 19/05/20

**UK:** Evolution Power Tools Ltd. Venture One, Longacre Close, Holbrook Industrial Estate, Sheffield, S20 3FR.  
**FR:** Evolution Power Tools SAS. 61 Avenue Lafontaine, 33560, Carbon-Blanc, Bordeaux, France.

**Oryginał niniejszej instrukcji został napisany w języku angielskim****WAŻNE**

Należy uważnie i w całości zapoznać się z treścią niniejszej instrukcji obsługi oraz bezpieczeństwa.

Ze względów bezpieczeństwa w przypadku wątpliwości co do jakiegokolwiek aspektu dotyczącego korzystania z tego urządzenia należy skontaktować się z odpowiednią infolinią obsługi technicznej, której numer podany jest na stronie internetowej firmy Evolution Power Tools. Nasza ogólnosiwiatowa organizacja oferuje dostęp do kilku infolinii obsługi technicznej. Pomoc techniczna dostępna jest również u dystrybutorów.

**STRONA INTERNETOWA:  
www.evolutionpowertools.com**

**Gratulujemy zakupu narzędzia marki Evolution Power Tools. Zapraszamy do rejestracji produktu w Internecie zgodnie z ulotką w formacie A4 dotyczącą rejestracji online, która została dołączona do urządzenia. Można również zeskanować kod QR zamieszczony na ulotce w formacie A4 za pomocą smartfona. Umożliwi to potwierdzenie okresu gwarancyjnego urządzenia za pośrednictwem strony internetowej Evolution poprzez podanie danych osobowych, co w razie potrzeby zapewni szybki dostęp do usług serwisowych. Serdecznie dziękujemy za wybranie produktu marki Evolution Power Tools.**

**OGRANICZONA GWARANCJA EVOLUTION**  
Firma Evolution Power Tools zastrzega sobie prawo do wprowadzania ulepszeń oraz zmian w konstrukcji produktu bez uprzedniego powiadomienia.

Proszę zapoznać się z ulotką rejestracyjną i/lub opakowaniem w celu uzyskania informacji o zasadach i warunkach gwarancji.

W okresie gwarancyjnym oraz od pierwotnej daty zakupu firma Evolution Power Tools zobowiązuje się do naprawy lub wymiany towarów uznanych za wadliwe pod względem materiałów lub wykonania. Niniejsza gwarancja traci ważność, jeżeli zwrócone narzędzie nie było używane zgodnie z zaleceniami znajdującymi się w instrukcji użytkownika lub jeśli urządzenie zostało zniszczone przez przypadek, zaniedbanie, bądź nieodpowiednie serwisowanie. Niniejsza gwarancja nie obowiązuje w przypadku urządzeń i/lub części, które zostały zmodyfikowane w jakikolwiek sposób, bądź były używane w sposób niezgodny z określonymi możliwościami i specyfikacjami. Części elektryczne podlegają odpowiednim gwarancjom producentów. Wszystkie uszkodzone produkty należy zwracać opłaconą przez klienta przesyłką do firmy Evolution Power Tools. Firma Evolution Power Tools zastrzega sobie prawo opcjonalnej naprawy lub wymiany produktu na taki sam lub porównywalny produkt. Materiały eksploatacyjne takie jak (poniższa lista nie jest wyczerpująca) noże, frezy, wiertła, dłuta, łopatki, itp. nie są objęte żadną gwarancją. W żadnym wypadku firma Evolution Power Tools nie będzie ponosić odpowiedzialności za straty lub szkody wynikające z bezpośredniego lub pośredniego korzystania z naszego towaru lub z jakiegokolwiek innej przyczyny. Firma Evolution Power Tools nie ponosi odpowiedzialności za poniesione koszty lub szkody pośrednie. Żaden członek kadry kierowniczej, pracownik ani przedstawiciel firmy Evolution Power Tools nie jest uprawniony do ustnego przedstawiania swojego stanowiska na temat stanu urządzenia ani uchylania żadnego z ustalonych warunków sprzedaży. Sytuacje takie nie będą wiążące dla firmy Evolution Power Tools.

**Pytania dotyczące niniejszej ograniczonej gwarancji powinny być kierowane do siedziby zarządu firmy lub pod odpowiednim numerem infolinii.**



## SPECYFIKACJE

SPECYFIKACJE URZĄDZENIA	R230DCT		R255DCT		R300DCT		R300DCT+	
Kod produktu UK/UE/AUS	009-0001, 009-0002, 009-0003, 009-0006,	009-0001X, 009-0002X, 009-0003X, 009-0006X	010-0001, 010-0002, 010-0003, 010-0006,	010-0001X, 010-0002X, 010-0003X, 010-0006X	012-0001, 012-0002, 012-0003, 012-0006,	012-0001X, 012-0002X, 012-0003X, 012-0006X	012-0001A, 012-0002A, 012-0003A, 012-0006A,	012-0001AX, 012-0002AX, 012-0003AX, 012-0006AX
Kod produktu USA	009-0004	009-0004X	010-0004	010-0004X	012-0004	012-0004X	012-0004A	012-0004AX
Silnik UE/UK/AUS (220-240V ~ 50Hz)	2000W		2000W		2400W		2400W	
Silnik UE/UK (110V ~ 50Hz)	1600W		1600W		1600W		2000W	
Silnik USA (120V ~ 60Hz)	15A		15A		15A		15A	
Prędkość znamionowa (min <sup>-1</sup> )	6000		6000		110V - 4400 120V - 4600 220-240V - 5090		110V - 4400 120V - 4600 220-240V - 5090	
Zalecany maks. cykl roboczy	20 min							
Masa	7.1kg		7.3kg		9.7kg		9.7kg	
Długość przewodu	3m (10 stóp)		4m (13 stóp)		3m (10 stóp) AUS 4m (13 stóp)		4m (13 stóp)	
Wydajność cięcia przy 90°	90mm (3-1/12 cala)		102.5mm (4-1/16 cala)		115mm (4-1/2 cala)		115mm (4-1/2 cala)	
<b>TARCZA TNĄCZA</b>								
Dołączona tarcza tnąca	Diamantowa standardowa	Brak ostrza w zestawie	Diamantowa standardowa	Brak ostrza w zestawie	Diamantowa standardowa	Brak ostrza w zestawie	Diamantowa premium	Brak ostrza w zestawie
Średnica	230mm (9 cali)		255mm (10 cali)		300mm (12 cali)		300mm (12 cali)	
Otwór UK / UE	22.2mm		22.2mm		22.2 / 20mm		22.2 / 20mm	
Otwór USA	7/8 cala		7/8 cala		1 cala		1 cala	
<b>DANE DOT. HAŁASU I WIBRACJI</b>								
Maks. ciśnienie akustyczne L <sub>pA</sub>	98.0dB(A) K=3dB(A)							
Maks. poziom mocy akustycznej L <sub>WA</sub>	109.0dB(A) K=3dB(A)							
Wibracje uchwytu Maks. poziom	6.15m/s <sup>2</sup> K=1.5m/s <sup>2</sup>							

**Uwaga:** Pomiary wibracji zostały wykonane w warunkach standardowych zgodnych z: BS EN 60745-1:2009+A11: 2010

Podana wartość całkowita wibracji została zmierzona zgodnie ze standardowymi metodami testowymi i może posłużyć do porównywania różnych narzędzi.

Podana wartość całkowita wibracji może także posłużyć do wstępnej oceny poziomu narażenia.

**WIBRACJE**

**OSTRZEŻENIE:** Podczas użytkowania tego urządzenia operator może być narażony na wysoki poziom wibracji przenoszonych na dłoń i rękę. U operatora może dojść do „choroby wibracyjnej białych palców” (objaw Raynauda). Stan ten może zmniejszyć wrażliwość ręki na temperaturę, jak również powodować jej ogólne drętwienie. W przypadku długotrwałego lub regularnego korzystania z tego urządzenia należy dokładnie monitorować stan dłoni i palców.

W przypadku wystąpienia jakichkolwiek objawów należy zasięgnąć porady lekarza.

- Pomiar i ocena narażenia człowieka na drgania przenoszone na dłoń w miejscu pracy są podane w:  
**BS EN ISO 5349-1:2001 i**  
**BS EN ISO 5349-2:2002**
- Wiele czynników może wpłynąć na poziom wibracji podczas pracy, np. stan i położenie powierzchni roboczej oraz typ i stan używanego urządzenia. Należy ocenić te czynniki przed każdym użyciem i dostosować do nich odpowiednie metody pracy. Ograniczenie wpływu tych czynników może przyczynić się do zmniejszenia skutków wibracji:

#### Obsługa

- Należy obsługiwać maszynę, zachowując ostrożność i pozwalając urządzeniu wykonywać zadanie.
- Należy unikać używania nadmiernej siły fizycznej w stosunku do jakichkolwiek elementów układu sterowania urządzeniem.
- Należy zwrócić uwagę na własne bezpieczeństwo i stabilną pozycję, a także na położenie urządzenia podczas użytkowania.

#### Powierzchnia robocza

- Należy zwrócić uwagę na materiał, z którego wykonana jest powierzchnia robocza: jego stan, gęstość, wytrzymałość, sztywność i położenie.

**OSTRZEŻENIE:** Emisja drgań podczas rzeczywistego użytkowania elektronarzędzia może różnić się od podanej wartości całkowitej w zależności od sposobu używania narzędzia. Potrzeba ustalenia środków bezpieczeństwa i ochrony operatora opiera się na ocenie narażenia w rzeczywistych warunkach użytkowania (z uwzględnieniem wszystkich etapów cyklu operacyjnego, takich jak czas kiedy narzędzie jest wyłączone, pracuje na biegu jałowym, w dodatku do czasu aktywacji).

#### OZNACZENIA I SYMBOLE

**OSTRZEŻENIE:** Nie należy korzystać z narzędzia, jeśli oznaczenia ostrzegawcze lub informacyjne są uszkodzone lub zostały usunięte. Należy skontaktować się z Evolution Power Tools w celu uzyskania nowych etykiet.

**Uwaga:** Wszystkie lub niektóre z następujących symboli mogą znajdować się w instrukcji lub na produkcie.

SYMBOL	OPIS
V	Wolty
A	Ampery
Hz	Herce
Min <sup>-1</sup>	Prędkość
~	Prąd zmienny
n	Prędkość znamionowa
	Uwaga!
	Należy zapoznać się z instrukcją
	Tylko cięcie na sucho <i>Dotyczy tylko modeli R230DCT, R255DCT i R300DCT. Nie dotyczy modelu R300DCT+.</i>
	Należy założyć okulary ochronne
	Należy stosować środki ochrony słuchu
	Należy stosować ochronę przed pyłem
	Należy stosować kask ochronny
	Należy założyć rękawice ochronne
	Należy założyć obuwie ochronne
	Trzymać ręce z dala od urządzenia. Nie wolno kłaść dłoni na lub poniżej linii oznaczonej tym symbolem na przednim uchwycie. Dłoń musi zawsze znajdować się powyżej tej linii i symbolu w celu zapewnienia należytego odstępu od tarczy tnącej. Nieprzestrzeganie tej zasady może spowodować doznanie urazu. <i>Dotyczy modeli R230DCT i R255DCT</i>
	Certyfikat US
	Certyfikat CE
	Znak zgodności (RCM) dla sprzętu elektrycznego i elektronicznego. Standard w Australii i Nowej Zelandii.
	Certyfikat GS
	Zużyty sprzęt elektryczny i elektroniczny
	Należy stosować wyłącznie tarcze diamentowe, nie używać tarcz zębatach
	Nie należy korzystać z tarcz uszkodzonych lub pękniętych
	Wysokie ryzyko odbicia
	Ryzyko inhalacji pyłu
	Ryzyko pożaru. Należy się upewnić, że wokół urządzenia nie ma żadnych materiałów palnych.

### PRZEWIDZIANE ZASTOSOWANIE ELEKTRONARZĘDZIA

To urządzenie zostało zaprojektowane do eksploatacji z wykorzystaniem tarczy marki Evolution. Należy używać wyłącznie akcesoriów zaprojektowanych do stosowania z tym urządzeniem i/lub zalecanych przez Evolution Power Tools Ltd.

#### Po założeniu odpowiedniego ostrza urządzenie to nadaje się do cięcia:

cegła  
bruku  
elementów krawężnika  
betonu i podobnych materiałów budowlanych  
stali  
metali nieżelaznych  
kamienia naturalnego

### ZABRONIONE ZASTOSOWANIE ELEKTRONARZĘDZIA

**OSTRZEŻENIE:** Ręcznej pilarki do betonu należy używać wyłącznie zgodnie z przeznaczeniem. Nie wolno wprowadzać w urządzeniu żadnych modyfikacji ani stosować go do zasilania jakichkolwiek urządzeń lub akcesoriów innych niż określone w niniejszej instrukcji.

**OSTRZEŻENIE:** Niniejszego urządzenia nie należy używać do cięcia jakichkolwiek materiałów, które mogą zawierać azbest. W razie podejrzenia obecności azbestu, należy skonsultować się z terenowym organem nadzoru budowlanego.

**OSTRZEŻENIE:** Urządzenie nie jest przeznaczone do użytkowania przez osoby (w tym dzieci) o ograniczonej sprawności fizycznej, sensorycznej lub umysłowej. Potencjalni operatorzy, którzy nie mają doświadczenia w obsłudze tego urządzenia, powinni przejść szkolenie i być nadzorowani przez kompetentną osobę w pełni zaznajomioną z zasadami pracy, których przestrzeganie jest niezbędne do bezpiecznego korzystania z tego urządzenia. Dzieci wymagają stałego nadzoru, aby z całą pewnością nie miały one dostępu do sprzętu, ani pozwolenia na zabawę urządzeniem.

### ZAGROŻENIA SZCZĄTKOWE

Nawet w przypadku prawidłowej obsługi i konserwacji tego urządzenia występują zagrożenia szczątkowe, które mogą stać się przyczyną poważnego urazu. Ze względu na rodzaj i charakter tego urządzenia mogą zaistnieć następujące potencjalne zagrożenia:

- Dotknięcie odsłoniętej tarczy (rana cięta)
- Sięganie w stronę obracającej się tarczy (rana cięta)
- Elementy tarczy wypadające z urządzenia (rana cięta lub tępa)
- Elementy obrabianego elementu wypadające spod tarczy (rana cięta lub tępa)

- Zagrożenie pożarem na skutek iskier unoszących się w powietrzu
- Uszkodzenie słuchu z powodu niestosowania skutecznych środków ochrony słuchu (utrata słuchu)
- Inhalacja cząstek pyłu z obrabianego elementu
- Porażenie prądem elektrycznym w razie dotknięcia niez izolowanych komponentów elektrycznych.

Nieprzestrzeganie instrukcji zawartych w niniejszym podręczniku może prowadzić do wystąpienia innych zagrożeń szczytkowych na skutek niewłaściwego użytkowania.

### BEZPIECZEŃSTWO ELEKTRYCZNE

Urządzenie jest wyposażone w odpowiednio profilowaną wtyczkę i kabel zasilający odpowiedni dla danego rynku. Jeśli kabel zasilania uległ uszkodzeniu, należy go wymienić na odpowiednio przygotowany kabel dostępny za pośrednictwem organizacji serwisowej. W przypadku uszkodzenia wtyczki musi ona zostać wymieniona wyłącznie na oryginalne części zamienne Evolution przez wykwalifikowanego technika specjalistę.

#### (2.1) OGÓLNE INSTRUKCJE BEZPIECZEŃSTWA DOTYCZĄCE ELEKTRONARZĘDZIA

(Niniejsze ogólne instrukcje bezpieczeństwa używania elektronarzędzi są zgodne z normą EN 60745-1: 2009+A11: 2010)

#### **OSTRZEŻENIE: Należy zapoznać się z treścią wszelkich ostrzeżeń oraz instrukcji.**

Nieprzestrzeganie ostrzeżeń i instrukcji może doprowadzić do porażenia prądem, pożaru i/lub poważnych obrażeń.

**Należy zachować wszystkie ostrzeżenia i instrukcje na przyszłość.** Termin „elektronarzędzie” odnosi się do urządzenia zasilanego sieciowo (przewodowego) lub urządzenia zasilanego za pomocą baterii (beprzewodowego).

#### (2.2) 1) Ogólne ostrzeżenia w zakresie bezpieczeństwa korzystania z elektronarzędzi [Bezpieczeństwo obszaru roboczego]

**a) Należy zadbać o czystość i prawidłowe oświetlenie obszaru pracy.** Bałagan lub brak wystarczającego oświetlenia mogą spowodować wypadek.

**b) Nie wolno używać elektronarzędzi w przestrzeniach zagrożonych wybuchem, np. w obecności łatwopalnych cieczy, gazów lub pyłów.** Elektronarzędzia wytwarzają iskry, które mogą spowodować zapłon pyłu lub oparów.

**c) Nie wolno dopuszczać dzieci ani osób postronnych do obszaru pracy elektronarzędzi.** Rozproszenie uwagi może spowodować utratę kontroli.

**(2.3) 2) Ogólne ostrzeżenia w zakresie bezpieczeństwa korzystania z elektronarzędzi [Bezpieczeństwo elektryczne]**

**a) Wtyczka elektronarzędzia musi być dopasowana do gniazda zasilania.** Nie wolno w żaden sposób modyfikować wtyczki.

W przypadku elektronarzędzi z uziemieniem nie należy stosować przejściówek. Oryginalne wtyczki dopasowane do gniazd zmniejszają ryzyko porażenia prądem.

**b) Należy unikać dotykania uziemionych powierzchni, takich jak rury, grzejniki, piece i lodówki.** Uziemienie ciała powoduje zwiększenie ryzyka porażenia prądem.

**c) Nie należy wystawiać elektronarzędzi na działanie deszczu lub wilgoci.** Przedostanie się wody do wnętrza urządzenia zwiększa ryzyko porażenia prądem.

**d) Nie należy nadwyręzać przewodu.** Nie wolno używać przewodu do przenoszenia, przeciągania lub odłączania elektronarzędzia. Przewód należy trzymać z dala od źródeł ciepła, oleju, ostrych krawędzi lub ruchomych części urządzenia. Uszkodzone lub poplątane przewody zwiększają ryzyko porażenia prądem.

**e) W przypadku korzystania z urządzenia na świeżym powietrzu należy używać przedłużacza przystosowanego do używania na zewnątrz.** Korzystanie z przedłużacza przystosowanego do używania na zewnątrz zmniejsza ryzyko porażenia prądem.

**f) W przypadku konieczności korzystania z elektronarzędzia w bardzo wilgotnym miejscu należy używać gniazda zasilania wyposażonego w wyłącznik różnicowo-prądowy (RCD).** Korzystanie z wyłącznika różnicowo-prądowego zmniejsza ryzyko porażenia prądem.

**(2.4) 3) Ogólne ostrzeżenia w zakresie bezpieczeństwa korzystania z elektronarzędzi [Bezpieczeństwo osobiste].**

**a) Podczas korzystania z elektronarzędzia użytkownik powinien być czujny, uważny i zachowywać zdrowy rozsądek.** Nie należy używać elektronarzędzi w stanie zmęczenia bądź pod wpływem narkotyków, alkoholu lub leków. Chwila nieuwagi podczas obsługi urządzenia może doprowadzić do poważnych obrażeń ciała.

**b) Należy korzystać ze środków ochrony indywidualnej.** Należy zawsze stosować środki ochrony oczu. Wyposażenie ochronne, takie jak maska przeciwpyłowa, antypoślizgowe obuwie robocze, kask ochronny lub naszniki ochronne używane w odpowiednich warunkach zmniejszają ryzyko odniesienia obrażeń.

**c) Należy zapobiegać przypadkowemu włączeniu urządzenia.** Przed podłączeniem lub przenoszeniem narzędzia, należy upewnić się, że przełącznik zasilania znajduje się w pozycji wyłączonej. Przenoszenie urządzenia z palcem

umieszczonym na przełączniku zasilania lub podłączanie elektronarzędzi przy włączeniu przełącznika zasilania stwarza ryzyko wypadku.

**d) Przed włączeniem elektronarzędzia należy usunąć z niego wszelkie klucze regulacyjne.** Narzędzie lub klucz pozostawiony w obracającej się części elektronarzędzia może spowodować obrażenia ciała.

**e) Nie należy się wychylać.** Należy zawsze zachowywać odpowiednią pozycję i równowagę ciała. Umożliwia to lepszą kontrolę nad elektronarzędziem w nieoczekiwanych sytuacjach.

**f) Należy nosić odpowiednią odzież.** Do pracy z elektronarzędziem nie należy zakładać luźnej odzieży ani biżuterii. Włosy, odzież i rękawice należy trzymać z dala od ruchomych części urządzenia. Ubranie, biżuteria lub długie włosy mogą zostać wciągnięte przez ruchome części urządzenia.

**g) Jeśli do zestawu dołączone są urządzenia do podłączenia mechanizmów odsysania i zbierania pyłu, należy się upewnić, że są one prawidłowo przyłączone i eksploatowane.** Korzystanie z urządzenia odsysającego pył może zmniejszyć zagrożenie związane z pyłami.

**(2.5) 4) Ogólne ostrzeżenia w zakresie bezpieczeństwa korzystania z elektronarzędzi [Eksploatacja i pielęgnacja elektronarzędzia].**

**a) Nie przeciążaj urządzenia.** Należy używać narzędzi odpowiednich dla danego zastosowania. Prawidłowe narzędzie wykona zadanie lepiej i bezpieczniej w podanym zakresie sprawności.

**b) Nie należy korzystać z urządzenia, jeśli przełącznik ON/OFF go nie uruchamia lub nie wyłącza.** Elektronarzędzia, które nie mogą być kontrolowane za pomocą przełącznika, są niebezpieczne i muszą zostać oddane do naprawy.

**c) Przed dokonaniem regulacji, wymiany akcesoriów lub przechowywaniem elektronarzędzia należy odłączyć wtyczkę od źródła zasilania lub akumulator od urządzenia.** Prewencyjne środki bezpieczeństwa zmniejszają ryzyko przypadkowego uruchomienia elektronarzędzia.

**d) Nieużywane elektronarzędzia należy przechowywać w miejscu niedostępnym dla dzieci i nie dopuszczać do nich osób nie znających elektronarzędzi lub ich instrukcji obsługi.** W rękach niedoświadczonych użytkowników elektronarzędzia stanowią zagrożenie.

**e) Należy przeprowadzać konserwację elektronarzędzi.** Należy sprawdzać urządzenie pod kątem nieprawidłowego ustawienia lub zablokowania elementów ruchomych, pęknięć elementów ruchomych lub innych usterek, które mogą wpłynąć na funkcjonowanie urządzenia. W przypadku usterki urządzenie

należy naprawić przed ponownym użyciem. Niewłaściwa konserwacja elektronarzędzi jest przyczyną wielu wypadków.

**f) Należy utrzymywać narzędzia tnące w czystości i pamiętać o ich ostrzeniu.**

Prawidłowo pielęgnowane narzędzia tnące z ostrymi krawędziami tnącymi rzadziej się zacinają i łatwiej nimi sterować.

**g) Elektronarzędzi, akcesoriów, końcówek itp. należy używać zgodnie z niniejszymi instrukcjami, mając na uwadze warunki pracy i wykonywane zadania.**

Używanie narzędzi do wykonywania prac niezgodnych z ich przeznaczeniem może doprowadzić do niebezpiecznych sytuacji.

**(2.6) 5) Ogólne ostrzeżenia w zakresie bezpieczeństwa korzystania z elektronarzędzi [Serwis]**

**a) Urządzenie powinno być serwisowane przez wykwalifikowaną osobę i wyłącznie przy użyciu identycznych części zamiennych. Zagwarantuje to utrzymanie bezpieczeństwa elektronarzędzia.**

**Wymagania szczegółowe dotyczące przecinarek**

**a) Dostarczona osłona musi zostać bezpiecznie przymocowana do elektronarzędzia i ustawiona tak, aby zapewnić maksymalne bezpieczeństwo.**

Należy upewnić się, że odstonięta jest jak najmniejsza powierzchnia tarczy skierowana w stronę operatora. Operator i osoby postronne muszą stać z dala od płaszczyzny obracającej się tarczy. Osłona pomaga chronić operatora przed odlamanymi fragmentami tarczy oraz przypadkowym zetknięciem z tarczą.

**b) Należy używać wyłącznie wzmocnionych lub diamentowych tarcz do cięcia przeznaczonych dla używanego elektronarzędzia.** Pomimo tego, że akcesorium można podłączyć do elektronarzędzia, nie gwarantuje ono bezpiecznej pracy.

**c) Prędkość znamionowa akcesorium musi być co najmniej równa prędkości maksymalnej wskazanej na elektronarzędziu.** Akcesoria pracujące przy prędkości przekraczającej ich prędkość znamionową mogą pęknąć i zostać wyrzucone z urządzenia.

**d) Tarcze mogą być używane wyłącznie do zalecanych zastosowań.** Przykład: bok przecinarki nie nadaje się do szlifowania. Ścierne tarcze tnące są przeznaczone do obwodowego szlifowania. Zastosowanie sił bocznych może spowodować ich pęknięcie.

**e) Należy zawsze używać nieuszkodzonych kołnierzy tarcz o średnicy właściwej dla wybranej tarczy.** Odpowiednie kołnierze wspierają tarczę, zmniejszając w ten sposób prawdopodobieństwo jej pęknięcia.

**f) Nie stosować zużytych, wzmocnionych tarcz z większych elektronarzędzi.** Tarcze przeznaczone do większych elektronarzędzi nie nadają się do stosowania z mniejszymi narzędziami działającymi z większą szybkością i mogą ulec pęknięciu.

**g) Średnica zewnętrzna i grubość akcesorium muszą mieścić się w zakresie wartości znamionowej elektronarzędzia.**

Akcesoria o niewłaściwym rozmiarze nie mogą być odpowiednio chronione ani kontrolowane.

**h) Rozmiar trzpienia oraz kołnierza tarczy musi odpowiednio pasować do wrzeciona elektronarzędzia.** Tarcze i kołnierze z otworami trzpieniowymi, które nie pasują do elementów mocujących elektronarzędzia, mogą obracać się nieprawidłowo, generować nadmierne wibracje i doprowadzić do utraty kontroli.

**i) Nie wolno używać uszkodzonych tarcz.**

Przed każdym użyciem tarczy należy sprawdzić pod kątem wiórów i pęknięć. W razie upuszczenia elektronarzędzia lub tarczy należy sprawdzić pod kątem uszkodzeń lub zamontować nieuszkodzoną tarczę. Po przeprowadzeniu kontroli i zainstalowaniu tarczy, operator i osoby postronne powinny stanąć z dala od powierzchni obracającej się tarczy. Ustawić elektronarzędzie na maksymalną prędkość bez obciążenia i włączyć na jedną minutę. Podczas tego testu uszkodzone tarcze zwykle ulegają rozpadowi.

**j) Należy korzystać ze środków ochrony indywidualnej.**

W zależności od zastosowania należy użyć osłony twarzy, gogli ochronnych lub okularów ochronnych. W razie potrzeby należy nosić maskę przeciwpyłową, środki ochrony słuchu, rękawice i fartuch roboczy, które są w stanie zatrzymać małe fragmenty materiału ściernego lub obrabianego przedmiotu. Środki ochrony oczu muszą być w stanie powstrzymać przemieszczające się odłamki generowane przez różnego typu czynności. Maskę przeciwpyłową lub respirator muszą być w stanie filtrować cząstki generowane podczas pracy. Długotrwałe narażenie na hałas o wysokiej intensywności grozi utratą słuchu.

**k) Osoby postronne powinny znajdować się w bezpiecznej odległości od miejsca pracy.**

Wszystkie osoby wchodzące do strefy roboczej muszą stosować środki ochrony indywidualnej. Fragmenty obrabianego przedmiotu lub pękniętej tarczy mogą się przemieścić i spowodować obrażenia poza bezpośrednim obszarem pracy.

**l) Podczas wykonywania zadania, w którym narzędzie tnące może zetknąć się z ukrytymi przewodami elektrycznymi lub własnym przewodem zasilania, należy trzymać elektronarzędzie za izolowane powierzchnie chwytne.** Natrafienie na kabel, który jest pod napięciem, przenosi napięcie na metalowe części elektronarzędzia i może doprowadzić do porażenia operatora prądem.

**m) Przewód należy umieścić z dala od**

**obracającego się akcesorium.** Jeśli operator straci kontrolę nad narzędziem, przewód może zostać przecięty lub zaklinowany, a dłoń lub ramię może zostać wciągnięte w obracającą się tarczę.

**n) Nigdy nie odkładać elektronarzędzia, dopóki akcesorium całkowicie się nie zatrzymało.** Obracająca się tarcza może zaciąć powierzchnię i spowodować wyrwanie narzędzia spod kontroli operatora.

**o) Nie przenosić włączonego elektronarzędzia.** Przypadkowe zetknięcie z obracającym się akcesorium może spowodować zahaczenie o odzież i kontakt akcesorium z powierzchnią ciała.

**p) Otwory wentylacyjne elektronarzędzia należy regularnie czyścić.** Wentylator silnika wciąga kurz do wnętrza obudowy, a nadmierne nagromadzenie sproszkowanego metalu może powodować zagrożenia elektryczne.

**q) Nie wolno używać elektronarzędzia w pobliżu materiałów łatwopalnych.** Materiały te mogą ulec zapaleniu na skutek iskier.

**r) Nie należy używać akcesoriów wymagających stosowania płynów chłodzących.** Używanie wody lub innych płynów chłodzących może spowodować porażenie prądem lub wstrząs elektryczny.

#### **Odrzut i związane z tym ostrzeżenia**

Odrzut jest nagłą reakcją na zaciśnięcie lub zahaczenie obracającej się tarczy. Zaciśnięcie lub zahaczenie powoduje szybkie zatrzymanie obracającej się tarczy, co z kolei prowadzi do niekontrolowanego szarpnięcia elektronarzędzia w kierunku przeciwnym do obrotu tarczy w punkcie zacięcia.

Na przykład, jeśli tarcza ścierna zahaczy się lub zostanie zaciśnięta przez obrabiany przedmiot, krawędź tarczy, która wchodzi w punkt zaciskania, może wbić się w powierzchnię materiału, powodując, że tarcza wysunie się lub odskoczy. Tarcza może odskoczyć w stronę operatora lub w kierunku przeciwnym, zależnie od kierunku obrotu tarczy w momencie zaciśnięcia. W tej sytuacji tarcza ścierna może również ulec pęknięciu.

Odrzut jest spowodowany nieprawidłową obsługą elektronarzędzia i/lub niewłaściwymi procedurami lub warunkami obsługi. Można go uniknąć, stosując należyte środki ostrożności, zgodnie z opisem poniżej.

**a) Elektronarzędzie należy mocno trzymać i ustawić ciało oraz ramię tak, aby stworzyć opór wobec siły odrzutu.**

Zawsze należy korzystać z dodatkowego uchwytu, jeśli jest dostępny, w celu zapewnienia maksymalnej kontroli w przypadku odrzutu lub reakcji momentu obrotowego w momencie uruchomienia. Operator może kontrolować reakcje momentu obrotowego lub siły odrzutu, jeśli zostaną podjęte odpowiednie środki

ostrożności.

**b) Nigdy nie wolno umieszczać dłoni w pobliżu obracającego się akcesorium.** Może dojść do odrzutu akcesorium w stronę dłoni.

**c) Nie należy ustawiać ciała w jednej linii z obracającą się tarczą.** Odrzut spowoduje pchnięcie narzędzia w kierunku przeciwnym do obrotu tarczy w momencie zahaczenia.

**d) Zachować szczególną ostrożność podczas obróbki rogów, ostrych krawędzi itp. Unikać uderzania i zahaczenia o akcesorium.**

Podczas obróbki rogów, ostrych krawędzi lub uderzania może dojść do zahaczenia obracającego się akcesorium i utraty kontroli lub odrzutu.

**e) Nie należy mocować łańcucha piły elektrycznej, tarczy do drewna, segmentowej tarczy diamentowej ze szczeliną obwodową większą niż 10 mm ani tarczy zębatej.** Takie rodzaje tarcz powodują częste odrzuty i utratę kontroli.

**f) Nie należy „zakleszczać” tarczy ani stosować nadmiernej nacisku.** Nie należy wykonywać cięcia o nadmiernej głębokości. Przeciążenie tarczy zwiększa obciążenie i podatność na skręcanie lub zacinaanie tarczy w nacięciu oraz ryzyko odrzutu lub pęknięcia tarczy.

**g) W przypadku, gdy tarcza zacina się lub przerywa cięcie z jakiegokolwiek powodu, elektronarzędzie należy wyłączyć i przytrzymać jednostkę tnącą w bezruchu do momentu całkowitego zatrzymania się tarczy.** W żadnym wypadku nie należy podejmować próby usunięcia pilarki z obrabianego przedmiotu lub jej wycofania podczas gdy tarcza jest w ruchu. Może to doprowadzić do odrzutu. Należy przeanalizować i podjąć działania korekcyjne, aby wyeliminować przyczynę zablokowania się tarczy.

**h) Nie należy wznawiać cięcia obrabianego materiału.** Należy zaczekać, aż tarcza osiągnie pełną prędkość i ostrożnie ponownie wprowadzić ostrze w nacięcie. Jeśli narzędzie zostanie ponownie uruchomione wewnątrz obrabianego materiału tarcza może się zablokować, przeladować lub spowodować odrzut.

**i) Każdy przedmiot o większym rozmiarze należy wesprzeć, by zminimalizować ryzyko zakleszczenia tarczy i odrzutu.**

Duże obrabiane przedmioty mają tendencję do opadania pod własnym ciężarem. Podpórki muszą zostać umieszczone pod obrabianym przedmiotem, w pobliżu linii cięcia i w pobliżu krawędzi po obu stronach tarczy.

**j) Należy zachować szczególną uwagę podczas wykonywania cięcia wgłębnego w istniejące ściany lub inne martwe pola.** Wystająca tarcza może przeciąć przewody dopływu gazu lub wody, kable elektryczne lub przedmioty, które mogą doprowadzić do odrzutu.

## (2.7) ZALECENIA ZDROWOTNE

**OSTRZEŻENIE:** Podczas korzystania z urządzenia mogą wytworzyć się cząsteczki pyłu. W niektórych przypadkach, w zależności od wykorzystywanych materiałów, pył może być szczególnie szkodliwy. W przypadku podejrzenia, że farba pokrywająca powierzchnię ciętego materiału zawiera ołów, należy zasięgnąć porady specjalisty. Farby na bazie ołowiu mogą zostać usunięte tylko przez profesjonalistę i nie należy podejmować samodzielnych prób ich usuwania. Po osadzeniu się pyłu na powierzchniach, przeniesienie go dłońmi do jamy ustnej może doprowadzić do spożycia ołowiu. Narażenie nawet na niewielką ilość ołowiu może spowodować nieodwracalne uszkodzenie mózgu i systemu nerwowego. Szczególnie narażone są małe i nienarodzone dzieci. Zaleca się ocenę ryzyka związanego z obróbką danego materiału i ograniczenie narażenia na szkodliwe czynniki. Niektóre materiały mogą produkować pyły szkodliwe dla zdrowia. Podczas korzystania z urządzenia zalecamy stosowanie zatwierdzonych masek przeciwpyłowych z wymiennymi filtrami.

### Należy zawsze:

- pracować w dobrze wentylowanym miejscu.
- korzystać z zatwierdzonych środków bezpieczeństwa, takich jak maski przeciwpyłowe, zaprojektowane specjalnie, po to aby filtrować mikroskopijne cząsteczki.

**(2.8) OSTRZEŻENIE:** podczas korzystania z dowolnego elektronarzędzia ciała obce mogą zostać wyrzucone w kierunku oczu operatora, co może skutkować poważnym urazem narządu wzroku. Przed przystąpieniem do pracy z elektronarzędziem należy założyć okulary lub gogle ochronne z osłoną boczną. W miarę potrzeby należy zastosować całkowitą osłonę twarzy.

## DODATKOWE INSTRUKCJE BEZPIECZEŃSTWA

**OSTRZEŻENIE:** Zawsze należy odłączyć piłę do cięcia betonu ze źródła zasilania przed podjęciem czynności czyszczenia, konserwacji lub wymiany ostrza.

- **Dłonie należy trzymać z dala od ciętej powierzchni i ostrza.** Jeśli operator będzie trzymał uchwyty urządzenia obiema rękami, dłonie nie zetkną się z ostrzem diamentowym.
- **Nigdy nie wolno naciskać przycisku blokady wrzeciona, gdy urządzenie jest włączone.** Może to spowodować poważne uszkodzenia urządzenia oraz stwarzać niebezpieczeństwo dla operatora.
- **Należy korzystać wyłącznie z zatwierdzonych ostrzy wskazanych przez producenta.**
- **Przed uruchomieniem urządzenia**

**przeprowadzić kontrolę wzrokową ostrza.**

Nie stosować go, jeśli jest pęknięte, złamane lub wygięte. Ostrożnie uruchomić urządzenie i zwracać uwagę na wszelkie nietypowe odgłosy, wibracje lub inne anomalie.

- **Zachować ostrożność podczas cięcia metalu.** Cięcie metalu (prętów wzmocniających umieszczonych w betonie) za pomocą ostrza diamentowego spowoduje skrócenie żywotności ostrza. W miarę możliwości należy korzystać ze specjalistycznego ostrza do metalu.
- **Przed rozpoczęciem cięcia należy odczekać, aż ostrze osiągnie pełną szybkość obrotową.** Operację cięcia należy rozpocząć dopiero po osiągnięciu maksymalnej szybkości.
- **Nie należy stosować nadmiernej siły.** Nadmierna siła przeciąża silnik i zmniejsza wydajność pracy oraz żywotność urządzenia.
- **Beton, kafelki lub kamień należy ciąć tylko do maksymalnej głębokości 50 mm.** Jeśli wymagana głębokość cięcia przekracza 50 mm, element należy poddać cięciu 2-3 razy. Próba wykonania cięcia o głębokości przekraczającej 50 mm za jednym razem może ograniczyć żywotność ostrza i spowodować uszkodzenie silnika.
- **Gdy wąż do usuwania pyłu nie jest w użyciu, na porcie odprowadzania pyłu należy umieścić osłonę.** Podczas cięcia mogą powstawać iskry. Port odprowadzania pyłu należy zasłonić gumową nasadką i pamiętać o stosowaniu okularów ochronnych.
- **Nigdy nie stosować uszkodzonego lub niewłaściwego sworznia trzpienia lub kołnierza ostrza.** Kołnierze ostrza i sworznie trzpienia zostały zaprojektowane specjalnie dla tego urządzenia, aby zapewniać optymalną wydajność czynności cięcia.
- **To urządzenie jest wyposażone w profilowaną wtyczkę i kabel zasilający odpowiedni dla danego kraju.** Nie wolno w jakikolwiek sposób zmieniać ani modyfikować kabla ani wtyczki. Jeśli kabel zasilający lub wtyczka zostaną w jakikolwiek sposób uszkodzone, muszą zostać wymienione na oryginalne części zamienne przez technika posiadającego odpowiednie kompetencje.
- **W miarę możliwości podczas cięcia betonu należy zawsze stosować metodę kontrolowania pyłu, tzn. odpylanie lub zraszanie wodą.** W przypadku stosowania odpylacza podczas cięcia betonu za pomocą tarcz Evolution, należy się upewnić, że są to odpylacze klasy M lub H.

**OSTRZEŻENIE:** Niniejszego urządzenia nie należy używać do cięcia jakichkolwiek materiałów, które mogą zawierać azbest. W razie podejrzenia obecności azbestu, należy skonsultować się z terenowym organem nadzoru budowlanego.

### Środki ochrony indywidualnej

**Uwaga:** Jeśli urządzenie jest stosowane na placu budowy, ważne jest, aby operator przestrzegał wszelkich obowiązujących tam zasad/przepisów. W celu uzyskania szczegółowych informacji należy zwrócić się do kierownika budowy lub innej odpowiedzialnej osoby.

- **Zakładać odpowiednią odzież.** Może to być ubranie robocze lub wywatowany kombinezon i kamizelka odbłaskowa itp.
- **Zakładać odpowiednie obuwie.** Zaleca się stosowanie obuwia ze stalowymi noskami i podeszwami antypoślizgowymi.
- **Zakładać odpowiednie okulary ochronne.** Zaleca się stosowanie pełnej osłony twarzy lub gogli ochronnych z bocznymi osłonami.
- **Stosować środki ochrony słuchu.** Zakładać odpowiednie środki ochrony uszu.
- **Zakładać odpowiednie rękawice.** Zaleca się stosowanie rękawic o wysokiej przyczepności.
- **Zakładać środki ochrony dróg oddechowych.** Zaleca się stosowanie maski przeciwpyłowej z wymiennymi filtrami, które chronią przed drobnym toksycznym pyłem, włóknami i oparami.
- **Zakładać kask ochronny.** Na niektórych placach budowy stosowanie kasku może być obowiązkowe, aby chronić operatora przed potencjalnym ryzykiem urazu na skutek uderzenia przez spadające przedmioty.

### (4.1) PRZYGOTOWANIE DO PRACY – ROZPAKOWYWANIE

**Uwaga:** Opakowanie zawiera ostre przedmioty. Należy zachować ostrożność podczas rozpakowywania. Urządzenie wraz z załączonymi akcesoriami należy wyjąć z opakowania. Należy dokładnie sprawdzić, czy urządzenie jest w dobrym stanie, i potwierdzić obecność wszystkich akcesoriów wymienionych w instrukcji obsługi. Należy również upewnić się, czy w żadnym z akcesoriów nie brakuje komponentów. W przypadku braku jakiegokolwiek komponentu należy zwrócić urządzenie do dystrybutora w oryginalnym opakowaniu wraz ze wszystkimi akcesoriami. Nie wyrzucać opakowania. Opakowanie należy zachować na czas trwania okresu gwarancyjnego. Opakowanie należy zutilizować w sposób przyjazny dla środowiska. Jeśli to możliwe, należy poddać je recyklingowi. Nie należy pozwalać dzieciom na zabawę torebkami foliowymi ze względu na ryzyko uduszenia.

### (4.2) ELEMENTY WYPOSAŻENIA

OPIS	LICZBA SZTUK
Instrukcja obsługi	1
Tarcza*	1
Narzędzie wielofunkcyjne (do regulacji)	1
Podstawa na kółkach	1
Nasadka gumowa (do umieszczenia na porcie odprowadzania pyłu)	1
Przyłącze węża (R300DCT+)	1

\* Niektóre modele są dostarczane bez ostrza. Zob. tabela specyfikacji w celu uzyskania szczegółowych informacji.

### (4.3) DODATKOWE AKCESORIA

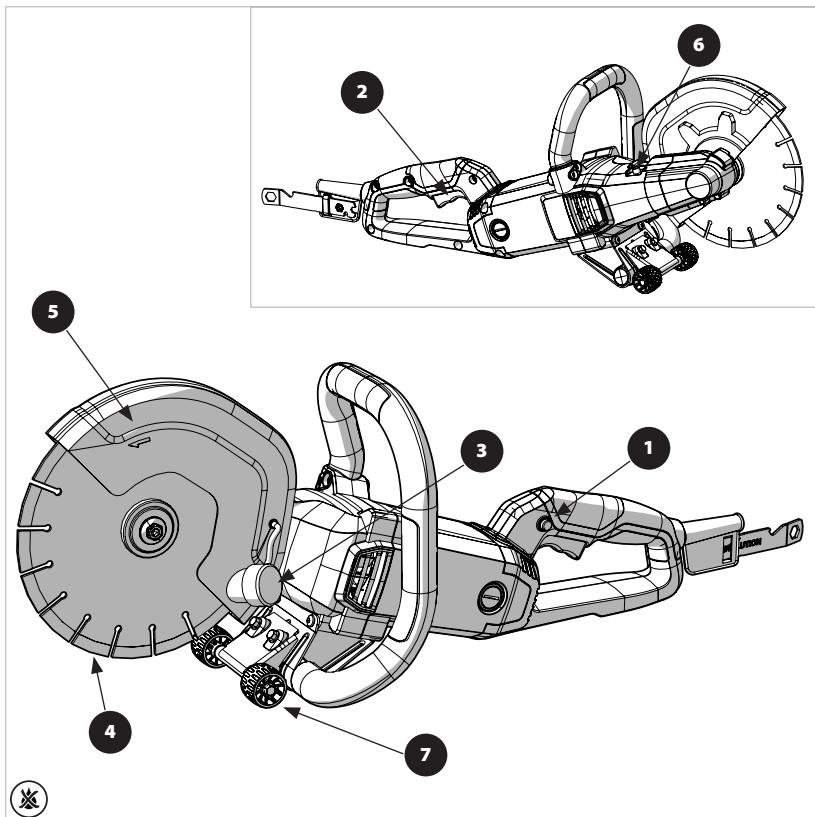
Poza podstawowymi elementami załączonymi do niniejszego urządzenia następujące akcesoria są również dostępne na stronie [www.evolutionpowertools.com](http://www.evolutionpowertools.com) lub u lokalnego dystrybutora.

### (4.4)

OPIS	NR CZĘŚCI
Dostępne są specjalistyczne tarcze do cięcia	Prosimy o kontakt z infolinią Evolution w celu uzyskania dalszych informacji i szczegółów
Butla na wodę do pompy ręcznej	Prosimy o kontakt z infolinią Evolution w celu uzyskania dalszych informacji i szczegółów
Butla na wodę do pompy obsługiwanej stopą	Prosimy o kontakt z infolinią Evolution w celu uzyskania dalszych informacji i szczegółów
Futurał	Prosimy o kontakt z infolinią Evolution w celu uzyskania dalszych informacji i szczegółów
Adaptory otworów do usuwania pyłu	Prosimy o kontakt z infolinią Evolution w celu uzyskania dalszych informacji i szczegółów
Zestaw do cięcia na mokro (do konwersji z R300DCT)	Prosimy o kontakt z infolinią Evolution w celu uzyskania dalszych informacji i szczegółów



## OPIS URZĄDZENIA R230DCT



1. Przycisk blokady bezpieczeństwa

2. Przełącznik uruchamiający

3. Port odprowadzania pyłu

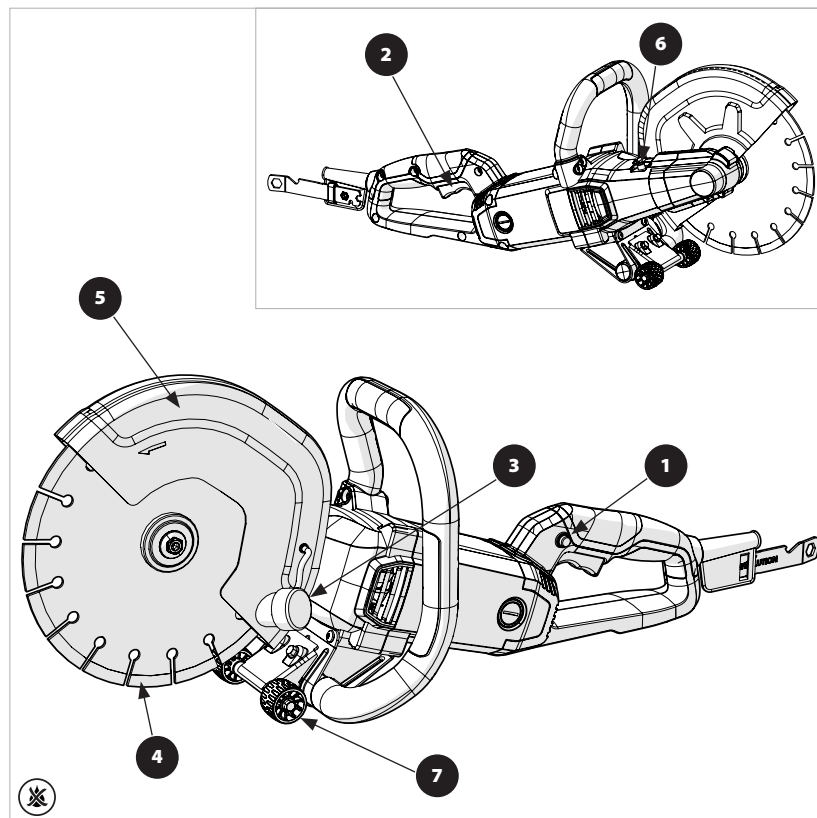
4. Tarcza tnąca

5. Osłona tarczy

6. Przycisk blokady trzpienia

7. Podstawa na kółkach

**OPIS URZĄDZENIA R255DCT**



**1.** Przycisk blokady bezpieczeństwa

**2.** Przełącznik uruchamiający

**3.** Port odprowadzania pyłu

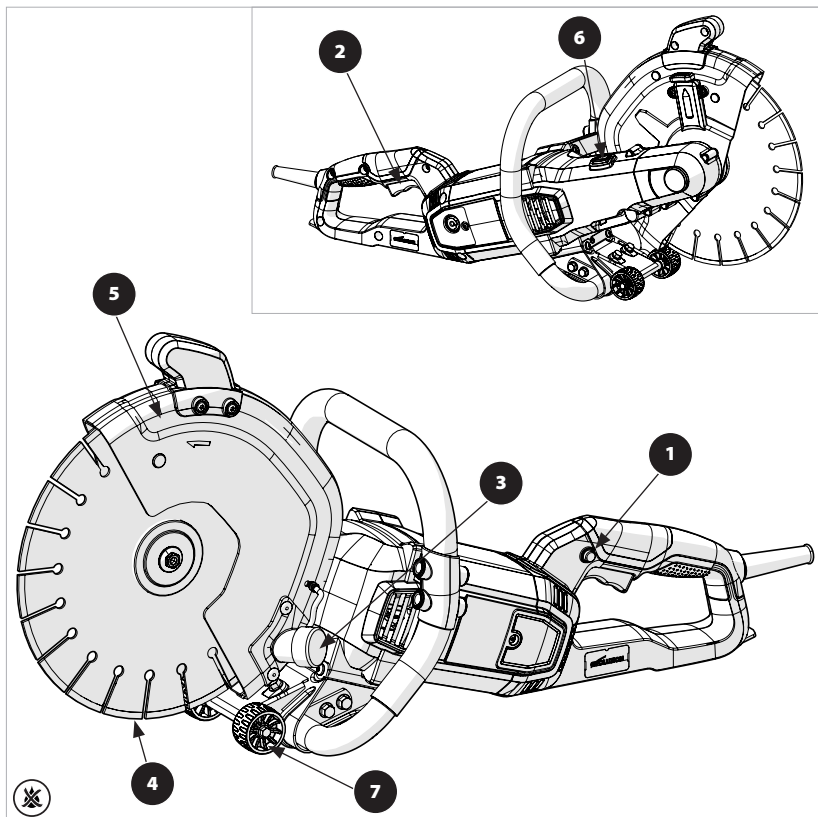
**4.** Tarcza tnąca

**5.** Osłona tarczy

**6.** Przycisk blokady trzpienia

**7.** Podstawa na kółkach

## OPIS URZĄDZENIA R300DCT



1. Przycisk blokady bezpieczeństwa

2. Przełącznik uruchamiający

3. Port odprowadzania pyłu

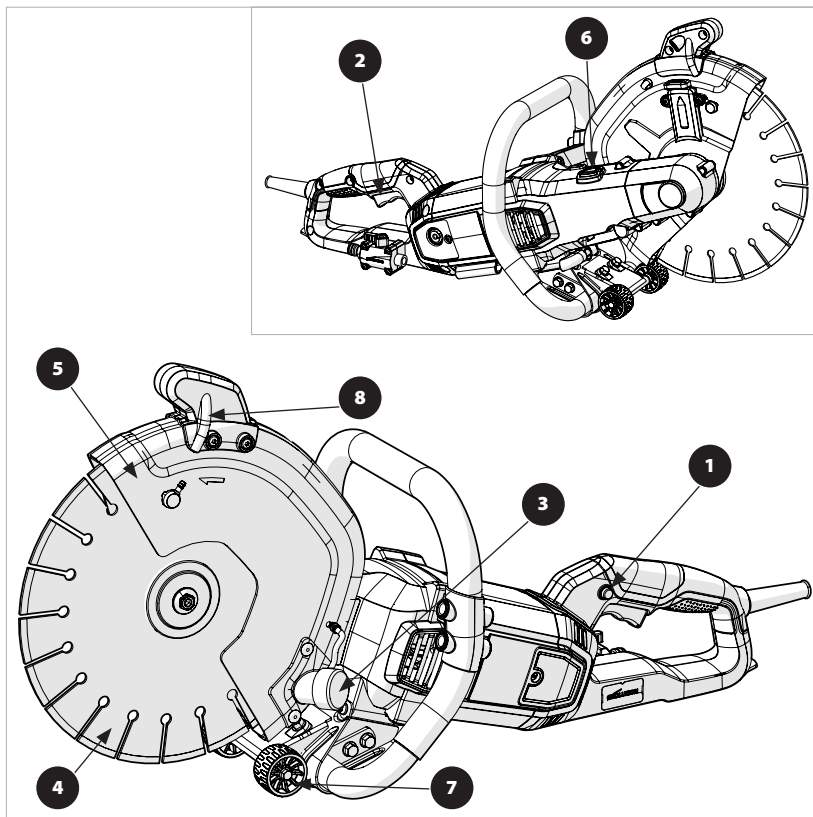
4. Tarcza tnąca

5. Regulowana osłona tarczy

6. Przycisk blokady trzpienia

7. Podstawa na kółkach

**OPIS URZĄDZENIA R300DCT+**



**1.** Przycisk blokady bezpieczeństwa

**2.** Przełącznik uruchamiający

**3.** Port odprowadzania pyłu

**4.** Tarcza tnąca

**5.** Regulowana osłona tarczy

**6.** Przycisk blokady trzpienia

**7.** Podstawa na kółkach

**8.** Dopływ wody

### **OPIS OGÓLNY**

Piły do cięcia betonu firmy Evolution zostały zaprojektowane tak, by oferować szereg unikatowych funkcji pozwalających oszczędzać czas. Niektóre z tych funkcji zostały zastosowane w całej gamie produktów.

Sekcja Specyfikacji niniejszej instrukcji obsługi zawiera informacje o cechach poszczególnych urządzeń.

**INNE RYNKI:** Inne urządzenia są dostarczane z kołnierzami, które pasują do ostrzy z otworem trzpienia o średnicy 20 mm (ø 3/4 cala) lub 22,2 mm (ø 7/8 cala), zależnie od sposobu instalacji kołnierzy.

### **Wspólne specyfikacje:**

- Przełącznik ON/OFF do bezpiecznego uruchomienia
- Szeroko rozstawione ergonomiczne uchwyty przednie i tylne, które zapewniają operatorowi większą kontrolę i bezpieczeństwo.
- Optymalne rozłożenie ciężaru między uchwytami przednimi i tylnymi poprawia komfort i redukuje zmęczenie operatora.
- Uchwyty przednie i tylne są wyposażone w izolację elektryczną chroniącą przed metalowymi częściami urządzenia.
- Funkcja odprowadzania pyłu
- Wysokiej jakości kabel zasilania w powłoce gumowej
- Wzmocniona stalowa płyta ochronna
- Zdejmowana podstawa na kółkach
- Narzędzie wielofunkcyjne do regulacji
- Miejsce na przechowywanie narzędzi w obrębie urządzenia
- Wymienne szczotki silnika

**Uwaga:** Tam, gdzie jest to wymagane, w niniejszej instrukcji przedstawione zostały funkcje konkretnego modelu urządzenia.

### **KOŁNIERZE OSTRZA**

**USA:** Urządzenia przeznaczone na rynek amerykański są dostarczane z kołnierzami, które pasują do ostrzy z otworem trzpienia o średnicy 25,4 mm (ø 1 cal) dla ostrzy 12-calowych, oraz z otworem o średnicy 22,2 mm (ø 7/8 cala) dla ostrzy 9- i 10-calowych.

### MONTAŻ OSTRZA TNĄCEGO.

(ostrza z otworem o średnicach  $\varnothing 20$  mm,  $\varnothing 22,2$  mm i  $\varnothing 25,4$  mm)

**OSTRZEŻENIE:** Przed podjęciem czynności instalacji lub wyjęcia ostrza należy zawsze odłączyć urządzenie od źródła zasilania.

- Upewnić się, że trzpień i kołnierze są czyste i wolne od pyłu oraz zanieczyszczeń.
- Należy upewnić się, że kierunek obrotu zaznaczony na tarczy zgadza się z kierunkiem obrotu na ostionie urządzenia.
- Zamontować kołnierz (a) na wewnętrznej stronie ostrza. **(Rys. 1)**
- Zamontować ostrze z uwzględnieniem kierunku strzałek obrotu.
- Zamontować zewnętrzny kołnierz (b) oraz włożyć odpowiedni sworzeń trzpienia (c) do otworu trzpienia urządzenia. **(Rys. 1)**

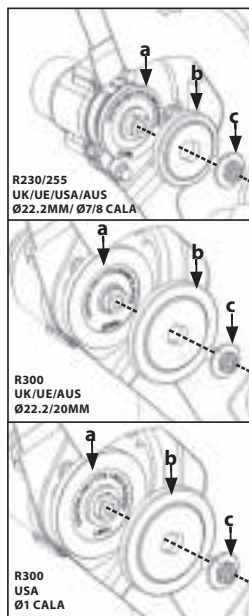
#### Wszystkie urządzenia:

- Nacisnąć blokadę trzpienia w celu jego zablokowania. **(Rys. 2)**
- Dokręcić sworzeń trzpienia za pomocą dostarczonego narzędzia wielofunkcyjnego. **(Rys. 3)**
- Zwolnić blokadę trzpienia.
- Ostrożnie obrócić ostrze ręcznie i sprawdzić, czy jest zabezpieczone, prawidłowo ustawione na kołnierzach i że swobodnie się obraca.

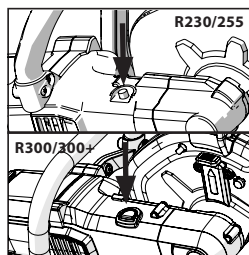
#### WYJMOWANIE OSTRZA TNĄCEGO

(wszystkie urządzenia Evolution)

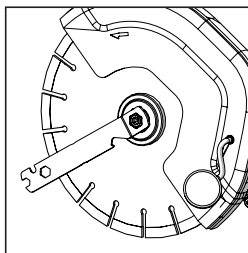
- Nacisnąć blokadę trzpienia w celu jego zablokowania.
- Poluzować i wyjąć sworzeń trzpienia za pomocą dostarczonego narzędzia wielofunkcyjnego.
- Wyjąć zewnętrzną podkładkę i kołnierz ostrza.
- Wyjąć ostrze.
- W razie potrzeby wyjąć wewnętrzny kołnierz ostrza w celu sprawdzenia jego stanu i/lub czyszczenia.



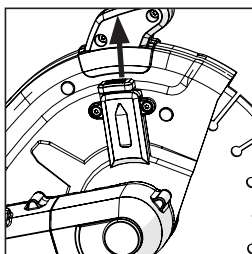
Rys. 1



Rys. 2



Rys. 3



Rys. 4

### REGULOWANA OSŁONA OSTRZA (R300 DCT+ i R300 DCT)

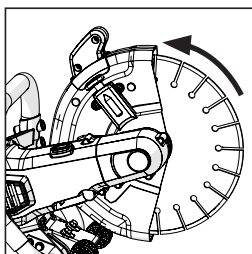
Oslonę ostrza na tych urządzeniach można wyregulować. Należy ją ustawić tak, aby zapewnić operatorowi optymalną ochronę, a jednocześnie odpowiednią widoczność linii cięcia.

**Uwaga:** Modele R255 DCT i R230 DCT są wyposażone w zamocowane na stałe osłony ostrzy.

#### Regulacja osłony:

**OSTRZEŻENIE:** Przed przemieszczeniem osłony należy odłączyć urządzenie od źródła zasilania.

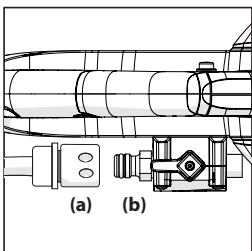
- Obsługiwać system blokady osłony poprzez pociągnięcie sworznia blokującego w górę. **(Rys. 4)**
- Obrócić osłonę do optymalnej pozycji za pomocą uchwytu obrotu. **(Rys. 5)**
- Zwolnić sworznień blokujących.
- Sprawdzić zabezpieczenie osłony.



Rys. 5

### SYSTEM ELIMINOWANIA PYŁU (urządzenie R300 DCT+)

Model R300 DCT+ jest wyposażony w system eliminowania pyłu. Wytwarza on strumienie wody o jednakowym ciśnieniu i w tej samej ilości z obydwu stron ostrza.

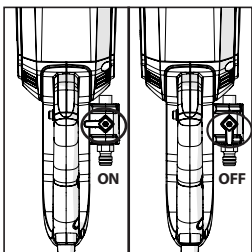


Rys. 6a &amp; b

**Uwaga:** Model R300 DCT jest wstępnie ustawiony i można na nim zamontować system eliminowania pyłu. Prosimy o kontakt z dostawcą lub z infolinią firmy Evolution w celu uzyskania dalszych szczegółów.

#### Obsługa systemu eliminowania pyłu:

- Podłączyć wąż doprowadzający wodę do piły. Woda może być doprowadzana z wodociągu lub z systemu butli na wodę firmy Evolution.
- Nałożyć przyłącze węża **(rys. 6a)** na adapter węża zaworu wody **(rys. 6b)**, słyszalne będzie kliknięcie potwierdzające, że przyłącze jest bezpiecznie przymocowane.
- Po podłączeniu do źródła dopływu wody należy wytworzyć ciśnienie, pompując butlę lub odkręcając kran.
- Otworzyć zawór wody, aby doprowadzić wodę do ostrza. Tempo przepływu można wyregulować za pomocą zaworu wody na piłę. **(Rys. 6c)**
- Po zakończeniu cięcia należy wyłączyć urządzenie i zamknąć zawór wody (3) w celu odcięcia dopływu wody do ostrza.
- Odłączyć piłę od dopływu wody poprzez przesunięcie do tyłu kołnierza przyłącza węża.



Rys. 6c

**Uwaga:** Należy wyregulować system tak, aby zapewnić dopływ wody w ilości wystarczającej do skutecznego wyeliminowania pyłu generowanego podczas cięcia.

**OSTRZEŻENIE:** Należy się upewnić, że wąż doprowadzający wodę do urządzenia ma odpowiednią długość. Wężę należy poprowadzić tak, aby nie stwarzały one ryzyka potknięcia się itp.

**OSTRZEŻENIE:** Należy chronić urządzenie i osoby przebywające w strefie roboczej przed wodą.

**Uwaga:** Maksymalne dopuszczalne ciśnienie dopływu wody wynosi 5,5 bara.

**Uwaga:** Kiedy wąż nie jest używany, należy wyłączyć z niego resztki wody. Zbiornik i inne części powinny być czyste i wolne od zanieczyszczeń.

Model R300DCT+ jest wyposażony w wyłącznik różnicowoprądowy (RCD). Instrukcje obsługi wyłącznika RCD:

- RCD należy zresetować przed uruchomieniem piły.
- Podłączyć piłę do gniazdka, naciskając przycisk resetowania na RCD. Słyszalne będzie kliknięcie. **(Rys. 7a)**
- Okienko wskaźnika zmieni kolor na CZERWONY na potwierdzenie, że zasilanie jest włączone. **(Rys. 7b)**
- W celu przetestowania należy nacisnąć przycisk TEST. Słyszalne będzie kliknięcie, a okienko wskaźnika zmieni kolor na czarny na potwierdzenie, że zasilanie jest wyłączone. **(Rys. 7c)**
- Ponownie nacisnąć przycisk resetowania, aby zresetować i zacząć korzystać z piły.

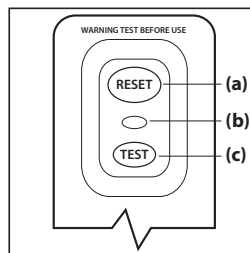
**Uwaga:** Jeśli RCD wyłączy się podczas użytkowania, wystarczy nacisnąć RESET.

#### **PODSTAWA Z PODWÓJNYMI KÓŁKAMI (wszystkie urządzenia Evolution)**

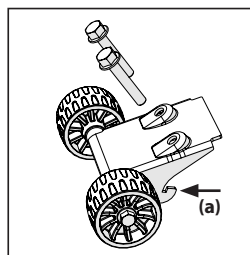
Wszystkie urządzenia są wyposażone w podstawę z podwójnymi kółkami **(rys. 8)**. Po zamontowaniu **(rys. 9)** podstawa ta zapewnia dodatkową stabilność (oraz komfort dla operatora), zwłaszcza podczas cięcia w płaszczyźnie poziomej i na ziemi. Zapobiega ona także zetknięciu ostrza z podłożem itp., po położeniu urządzenia pomiędzy operacjami cięcia.

Aby przymocować podstawę:

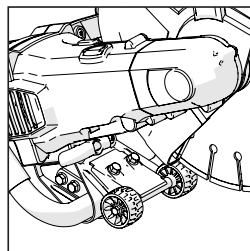
- Włożyć haki **(rys. 8a)** do szczelin znajdujących się na spodzie płyty ochronnej.
- Użyć dostarczonych sworzników do przymocowania podstawy do urządzenia. **(Rys. 10)**



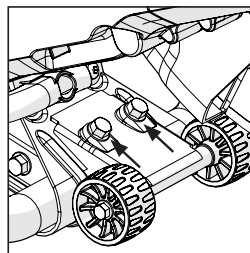
**Rys. 7**



**Rys. 8**

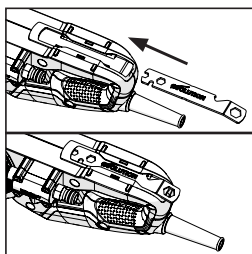


**Rys. 9**



**Rys. 10**





Rys. 11

### MIEJSCE NA PRZECHOWYWANIE NARZĘDZI W OBRĘBIE URZĄDZENIA

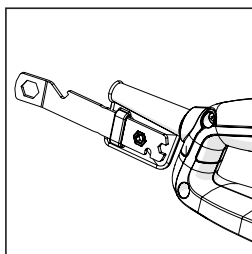
Wszystkie urządzenia Evolution są wyposażone w miejsce na przechowywanie dostarczonego narzędzia wielofunkcyjnego.

#### R300 DCT+ i R300 DCT

Miejsce na narzędzie znajduje się pod uchwytem urządzenia. (Rys. 11)

#### R225 DCT i R230 DCT

Miejsce na narzędzie znajduje się w rękawie wbudowanym w pierścieniu wzmacniającym kabla zasilania. (Rys. 12)

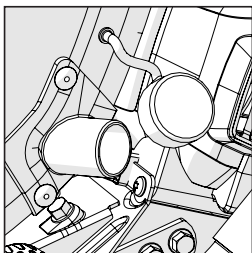


Rys. 12

### PODŁĄCZANIE ODPYLACZA (wszystkie urządzenia Evolution)

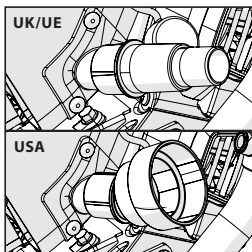
**OSTRZEŻENIE:** Pył może być bardzo niebezpieczny. Zdecydowanie zaleca się korzystanie z odpowiedniego odpylacza (do nabycia osobno), aby zapewnić optymalną czystość i bezpieczeństwo miejsca pracy.

Wąż odpylacza powinien zostać przymocowany do portu odprowadzania pyłu na osłonie ostrza.



Rys. 13

- Zdjąć gumową nasadkę z portu odprowadzania pyłu (rys. 13) i bezpiecznie ją przechować do ponownego nałożenia.
- Podłączyć wąż odpylacza do portu odprowadzania pyłu za pomocą odpowiedniego adaptera. (Rys. 14)
- Postępować zgodnie z instrukcjami dostarczonymi z odpylaczem.
- Upewnić się, że wąż i kabel zasilania podłączonego odpylacza nie stwarzają ryzyka potknięcia lub innego zagrożenia.
- Gdy odpylacz nie jest już potrzebny, należy go zdjąć z piły do cięcia betonu i nałożyć gumową nasadkę na port odprowadzania pyłu.



Rys. 14

**UWAGA:** W przypadku stosowania odpylacza podczas cięcia betonu za pomocą tarcz Evolution należy się upewnić, że są to odpylacze klasy M lub H.

### PRZEŁĄCZNIK ON/OFF (Rys. 15) (wszystkie urządzenia Evolution)

**Uwaga:** Te urządzenia są wyposażone w przełącznik bezpiecznego uruchomienia.

#### Aby uruchomić urządzenie, należy:

- wcisnąć kciukiem przycisk blokady bezpieczeństwa znajdujący się z boku uchwytu.
- zwolnić główny przełącznik.

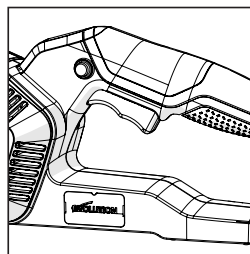
**OSTRZEŻENIE:** Nigdy nie należy uruchamiać piły, gdy ostrze dotyka bezpośrednio przedmiotu obróbki.

### ZALECENIA DOTYCZĄCE CIĘCIA

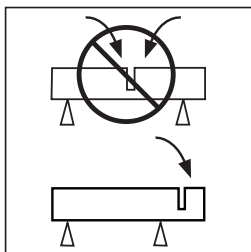
**Uwaga:** Firma Evolution Power Tools nie ma wpływu na to, w jaki sposób jej urządzenia będą wykorzystywane, dlatego prosimy o zapoznanie się z poniższymi wytycznymi (lista nie jest wyczerpująca), których celem jest pomoc operatorom w bezpiecznej i wydajnej obsłudze urządzenia.

### CZYNNOŚCI KONTROLNE PRZED ROZPOCZĘCIEM CIĘCIA

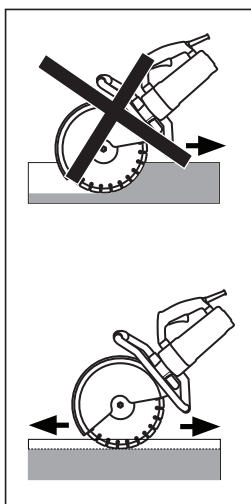
- Upewnić się, że parametry zasilania odpowiadają wymogom podanym na tabliczce znamionowej urządzenia.
- Upewnić się, że przełącznik uruchamiający urządzenia jest w pozycji OFF. Jeśli w momencie podłączenia urządzenia do źródła zasilania przełącznik uruchamiający znajdzie się w pozycji ON, urządzenie może natychmiast rozpocząć działanie, co stwarza ryzyko poważnego wypadku.
- W przypadku konieczności zastosowania przedłużacza należy upewnić się, że nadaje się on do użytku w danym środowisku roboczym. Jeśli jest on stosowany na zewnątrz, powinien być wodoodporny i posiadać odpowiednie oznaczenie.
- Podczas korzystania z przedłużacza należy przestrzegać instrukcji producenta.
- Przedłużacz należy poprowadzić tak, aby nie stwarzał ryzyka potknięcia ani innego zagrożenia dla operatora, współpracowników lub osób postronnych



Rys. 15



Rys. 16



Rys. 17

## PROCEDURY CIĘCIA

Zaznaczyć wszystkie linie cięcia na elemencie do obróbki za pomocą odpowiedniego przyrządu – ołówka, kredki, kredy itp. Wszystkie linie cięcia powinny być wyraźne i dobrze widoczne.

- Jeśli to możliwe, element poddawany obróbce należy podeprzeć tak, aby można było przewidzieć, co nastąpi, zaś strefa cięcia będzie stabilna i otwarta. **(Rys. 16)**
- Wyrównać ostrze z uprzednio zaznaczonymi liniami cięcia. Upewnić się, że ostrze nie styka się z elementem do obróbki przed rozpoczęciem czynności cięcia.
- Włączyć urządzenie (ON) i odczekać, aż ostrze osiągnie pełną prędkość operacyjną.
- Ostrożnie wprowadzić ostrze do elementu. Największą wydajność zapewnia cięcie w prostej linii cięcia. Nie wykonywać cięcia na głębokość przekraczającą 50 mm (2 cale). **(Rys. 17)**
- Jeśli wymagane jest cięcie o głębokości przekraczającej 50 mm (2 cale), należy je wykonać kilkietapowo.
- Ciąć płynnie i pozwolić urządzeniu wykonywać pracę bez wywierania nacisku na ostrze.

**OSTRZEŻENIE:** Nie próbować wykonywać cięcia zakrzywionego lub zygawkowatego. Nigdy nie korzystać z bocznej strony ostrza do wykonywania cięcia. Nigdy nie korzystać z urządzenia do wykonywania cięcia kąтового.

- Powoli przemieszczać ostrze w przód i w tył, starając się wytworzyć niewielki obszar zetknięcia między ostrzem i obrabianym elementem. Pozwala to obniżyć temperaturę ostrza i zapewnić wydajność cięcia.
- Gdyby doszło do zatrzymania ostrza lub wystąpienia nieprawidłowego dźwięku, należy natychmiast wyłączyć zasilanie (OFF) i zbadać przyczynę. Ustalić przyczynę nieprawidłowego dźwięku lub zatrzymania urządzenia. Wznówić operację cięcia tylko wówczas, gdy jest to bezpieczne.
- Przesunąć urządzenie w dół, w jednej linii z ostrzem. Wywieranie bocznej nacisku na ostrze może spowodować jego uszkodzenie i stwarzać zagrożenie.

## KONSERWACJA

**OSTRZEŻENIE:** Przed przystąpieniem do czynności konserwacyjnych należy upewnić się, że urządzenie jest wyłączone i odłączone od źródła zasilania.

Należy regularnie sprawdzać, czy wszelkie elementy zabezpieczające i osłony działają poprawnie i wydajnie. Urządzenia można używać tylko wtedy, gdy wszystkie elementy zabezpieczające i osłony są w pełni funkcjonalne.

Wszystkie łożyska silnika w tym urządzeniu posiadają dożywotni zapas smaru. Dodatkowe smarowanie nie jest wymagane. Plastikowe części urządzenia należy czyścić czystą, lekko zwilżoną szmatką. Nie używać rozpuszczalników lub podobnych produktów, które mogłyby uszkodzić plastikowe lub gumowe części.

Wyjęcie ostrza z urządzenia umożliwi dostęp do wnętrza osłony ostrza. Wszelkie nagromadzone odpady można usunąć za pomocą niemetalowego skrobaka lub podobnego narzędzia (do nabycia osobno).

**OSTRZEŻENIE:** Nie wolno podejmować prób czyszczenia urządzenia poprzez wkładanie spiczastych przedmiotów w otwory w obudowie urządzenia itp. Otwory wentylacyjne należy czyścić za pomocą sprężonego suchego powietrza. Podczas korzystania ze sprężonego powietrza do czyszczenia należy przestrzegać wszystkich koniecznych zasad BHP.

Nadmierne powstawanie iskier może wskazywać na obecność brudu w silniku lub na zużyte szczotki węglowe.

Jeśli pojawi się takie podejrzenie, należy oddać urządzenie do serwisu w celu wymiany szczotek przez wykwalifikowanego technika specjalistę.

## OCHRONA ŚRODOWISKA

Odpady produktów elektronicznych nie powinny zostać zutylizowane wraz z odpadami gospodarstwa domowego. Jeżeli to możliwe, poddać utylizacji. Wskazówki dotyczące recyklingu można uzyskać od władz lokalnych lub dystrybutora.



## DEKLARACJA ZGODNOŚCI



Producent artykułu objętego niniejszą deklaracją to:

**UK:** Evolution Power Tools Ltd. Venture One, Longacre Close, Holbrook Industrial Estate, Sheffield, S20 3FR.  
**FR:** Evolution Power Tools SAS. 61 Avenue Lafontaine, 33560, Carbon-Blanc, Bordeaux, France.

Producent deklaruje niniejszym, że urządzenie, jak opisano w niniejszej deklaracji, spełnia wszystkie odpowiednie przepisy dyrektywy maszynowej i innych odpowiednich dyrektyw wymienionych poniżej. Producent oświadcza, że urządzenie, jak opisano w niniejszym oświadczeniu, w stosownych przypadkach spełnia odpowiednie przepisy w zakresie ochrony zdrowia i bezpieczeństwa.

### Dyrektywy objęte niniejszą deklaracją to, jak wyszczególniono poniżej:

<b>2006/42/WE.</b>	Dyrektywa maszynowa.
<b>2014/30/UE.</b>	Dyrektywa w sprawie kompatybilności elektromagnetycznej.
<b>2011/65/UE. i 2015/863/UE.</b>	Dyrektywa w sprawie ograniczenia stosowania niektórych niebezpiecznych substancji w sprzęcie elektrycznym i elektronicznym (dyrektywa RoHS).
<b>2002/96/WC.</b>	z poprawkami wniesionymi przez Dyrektywę 2003/108/WE w sprawie zużytego sprzętu elektrycznego i elektronicznego (WEEE).

### I jest zgodne z obowiązującymi wymaganiami określonymi w następujących dokumentach

**EN 60745-1/A11:2010 • EN 60745-2-22: 2011+A11: 2013 • EN 55014-1: 2017 • EN 55014-2: 2015 • EN IEC 61000-3-2:2019 • EN 61000-3-3:2013+A1:2019**

### Dane produktu

Opis:	Elektryczna tarcza tnąca Evolution 230 mm (9 cali) <b>R230DCT</b> Elektryczna tarcza tnąca Evolution 255 mm (10 cali) <b>R255DCT</b> Elektryczna tarcza tnąca Evolution 300 mm (12 cali) <b>R300DCT</b> Elektryczna tarcza tnąca Evolution 300 mm (12 cali) <b>R300DCT+</b>
Nazwa marki:	Evolution Build
Napięcie:	110V ~ 50Hz 220-240V ~ 50Hz Moc wejściowa: 110V: 1600/2000W 230-240V: 2400W / 2000W

Dokumentacja techniczna, wykazująca że produkt spełnia wymagania dyrektywy, została opracowana i jest dostępna do wglądu dla właściwych organów egzekwowania prawa oraz potwierdza, że nasza dokumentacja techniczna zawiera dokumenty wymienione powyżej oraz że są to właściwe normy dla produktu zgodnie z powyższymi informacjami.

### Imię, nazwisko i adres posiadacza dokumentów technicznych.

Podpisano:  Pismo drukowane: Barry Bloomer  
 Dyrektor Generalny

Data: 19/05/20 r.

**UK:** Evolution Power Tools Ltd. Venture One, Longacre Close, Holbrook Industrial Estate, Sheffield, S20 3FR.  
**FR:** Evolution Power Tools SAS. 61 Avenue Lafontaine, 33560, Carbon-Blanc, Bordeaux, France.





# evOLUTION®

[www.evolutionpowertools.com](http://www.evolutionpowertools.com)

## US

Evolution Power Tools LLC  
8363 Research Drive  
Davenport, IA  
52806

**T: 866-EVO-TOOL**

## EU

Evolution Power Tools SAS  
61 Avenue Lafontaine  
33560  
Carbon-Blanc  
Bordeaux

**T: +33 (0)5 57 30 61 89**

## UK

Evolution Power Tools Ltd  
Venture One, Longacre Close  
Holbrook Industrial Estate  
Sheffield  
S20 3FR

**T: 0114 251 1022**

## AUS

Total Tools (Importing) Pty Ltd  
20 Thackray Road  
Port Melbourne  
Vic 3207

**T: 03 9261 1900**



EPT QR CODE