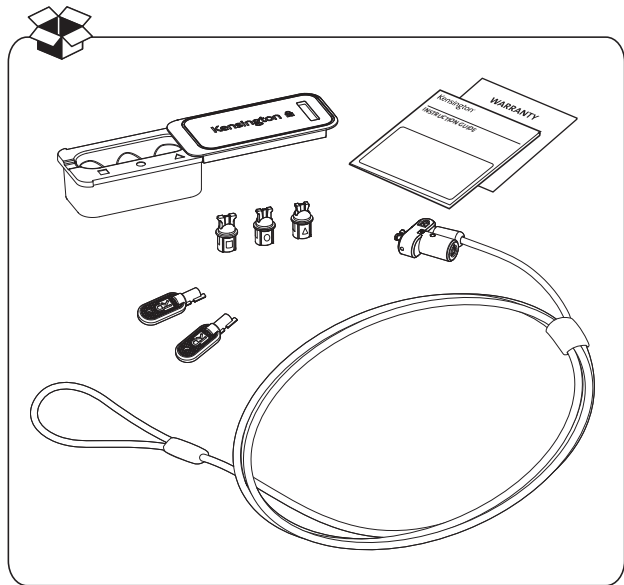


Kensington®



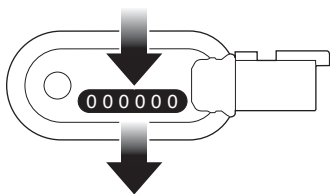
Universal 3-in-1 Keyed Laptop Lock Standard Keyed
Universal 3-in-1 Keyed Laptop Lock Master Keyed
Universal 3-in-1 Keyed Laptop Lock – Supervisor



kensington.com/register



IMPORTANT! REGISTER YOUR KEY CODE! /
IMPORTANT! ENREGISTREZ VOTRE CODE CLÉ! /
WICHTIG! REGISTRIEREN SIE IHREN KEYCODE! /
BELANGRIJK! REGISTREER UW SLEUTELCODE! /
IMPORTANTE! EFFETTUARE LA REGISTRAZIONE DEL
CODICE DELLA CHIAVE /
IMPORTANTE: REGISTRE EL CÓDIGO DE LA LLAVE /
FONTOS! REGISZTRÁLJA A KULCSKÓDJÁT! /
DŮLEŽITÉ! REGISTRUJTE KÓD SVÉHO KLÍČE! /
WAŻNE! ZAREJESTRUJ KOD KLUCZYKA! /
ВАЖНО! ЗАРЕГИСТРИРУЙТЕ СВОЙ КОД КЛЮЧА! /
IMPORTANTE! FAÇA O REGISTO DO SEU CÓDIGO CHAVE! /
مهم! تسجيل رمز المفتاح الخاص بك!

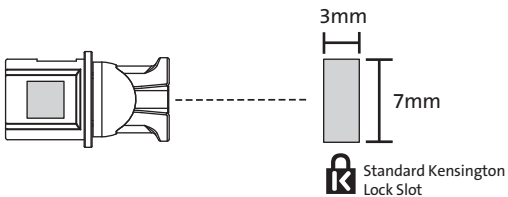


register.kensington.com

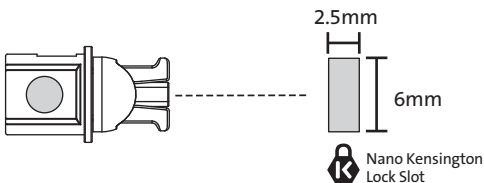
#

--	--	--	--	--	--

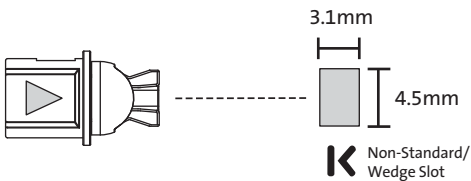
A Kensington Standard Lock Tip



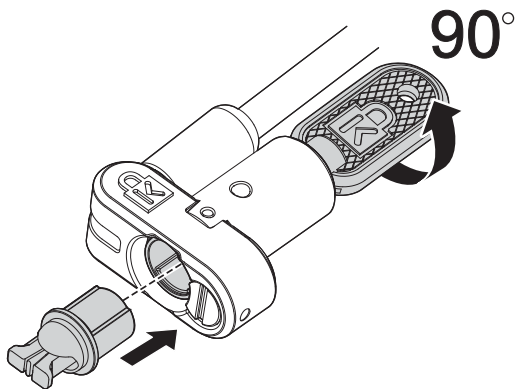
B Kensington NanoSaver® Lock Tip



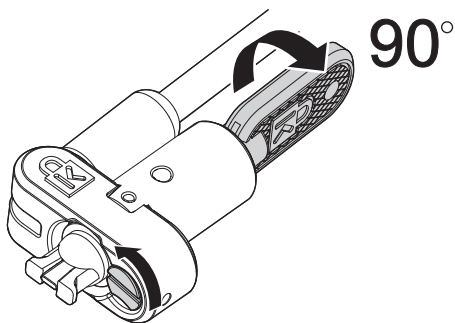
C Kensington N17 Lock Tip



1

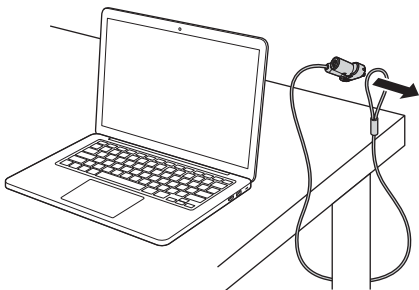


2

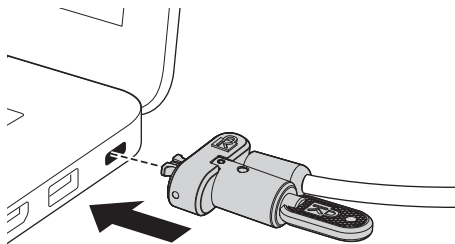




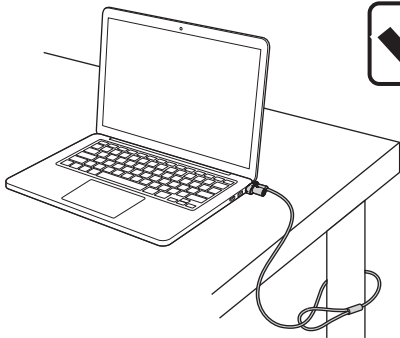
3



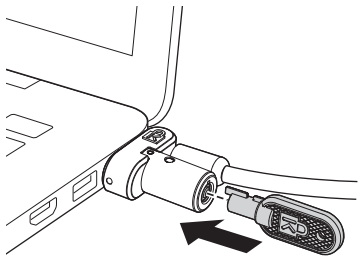
4



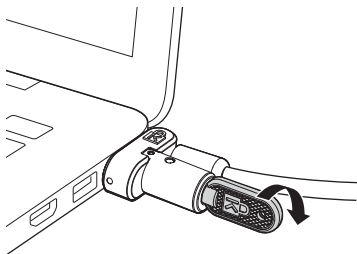
5



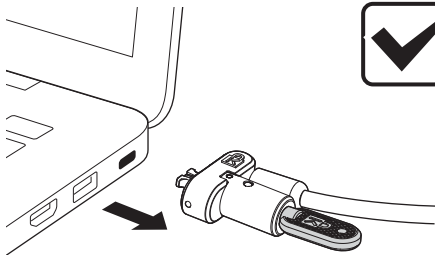
1



2



3



Kensington and the ACCO name and design are registered trademarks of ACCO Brands All other registered and unregistered trademarks are the property of their respective owners. Covered by one or more of US Pat. No's 6,081,974; 6,317,936; 6,360,405.

©2020 Kensington Computer Products Group, a division of ACCO Brands. Any unauthorized copying, duplicating, or other reproduction of the contents hereof is prohibited without written consent from Kensington Computer Products Group. All rights reserved. 06/21



Kensington Computer Products Group
A Division of ACCO Brands
1500 Fashion Island Blvd, 3rd Floor
San Mateo, CA 94404, USA

Importer:

LEITZ ACCO Brands GmbH & Co KG
Siemensstraße 64
70469 Stuttgart
Germany

ACCO Brands Canada Inc

7381 Bramalea Rd
Mississauga, ON L5S 1C4
<https://accobrandscanada.com/>

ACCO Brands Australia - Kensington

2 Coronation Avenue
Kings Park NSW 2148
Australia

ACCO Brands Chile S.A.,

Avda. Presidente Riesco # 5711,
oficina 201
Las Condes, Santiago, Chile
CP 7561114
www.accobrands.cl

Importado e Distribuído por:

Tilibra Produtos De Papelaria Ltda.
CNPJ: 44.990.901/0001-43
Rua Aymorés, 6-9 – Bauru/SP – Brasil
CEP 17013-900
sac@tilibra.com.br

Dystrybutor:

Esselte Polska Sp. z o.o., ul.
Przemysłowa 11A, 26-900
Kozienice

Forgalmazza:

Esselte Kft, Váci út 76. V. torony
I. emelet,
1133 Budapest,
Magyarország

Distributor:

Esselte Sales SRL,
Gheorghe Tîrțeica 121C,
Sector 2, București,
România

Distribútor:

Esselte, s.r.o., V Lužich 818,
142 00 Praha 4,
Česká republika

Импортер:

ООО «Эсселте», Россия,
125040, Москва, 3-я улица
Ямского поля, д.18, тел.
+7(495)933-27-63

ДИСТРИБЬЮТОР:

Esselte Polska Sp. z o.o., ul.
Przemysłowa 11A, 26-900
Kozienice
Импортерши: "АБДИ Компани" АҚ,
Алматы қ., Сейфуллин дағ. 465/191

Дистрибутор:

Эсселте Польска Сп. з о.о., вулиця
Пшемислова, 11А, 26-900 Козеніц

广州市爱珂贸易有限公司

广州市天河区林和西路159号
中泰国际北塔5楼, 501/701室
邮编: 510620
电话: 400 600 4599
网址: <https://www.kensington.com/zh-CN>
邮箱: infocn@kensington.com

アコブランドズ・ジャパン株式会社

〒164-8721
東京都中野区本町1-32-2
ハーモニータワー14F
<https://www.kensington.com/ja-JP>
E-MAIL: JPKensington@acco.com

Importer:

ACCO UK Ltd.
Oxford House, Oxford Road
Aylesbury, Buckinghamshire, HP21 8S2
United Kingdom