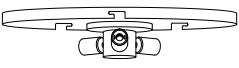

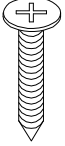

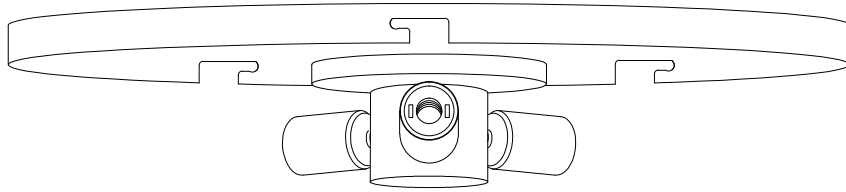


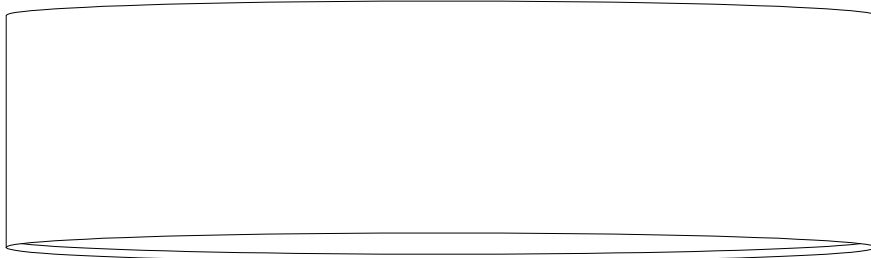
1/4

<p>A</p>  <p>x 1</p>	<p>B</p>  <p>x 1</p>	<p>C</p>  <p>x 3</p>	<p>D</p>  <p>x 3</p>
---	---	---	---

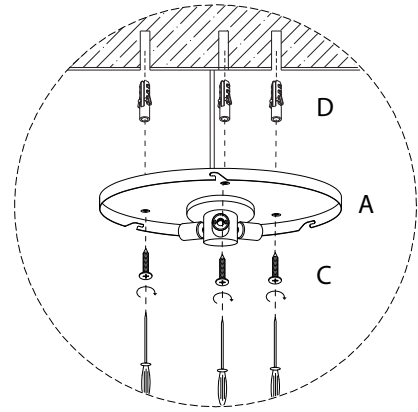
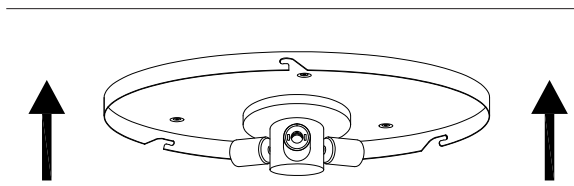
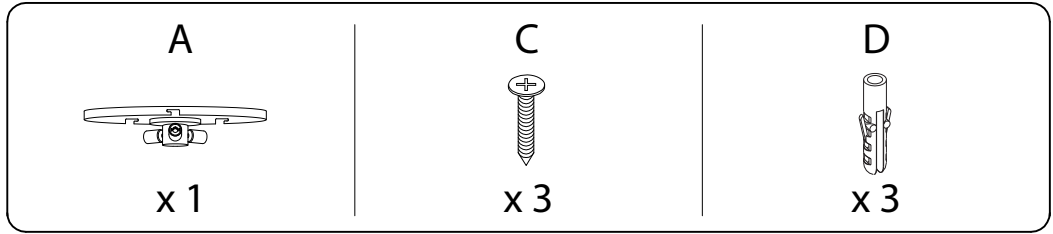
A



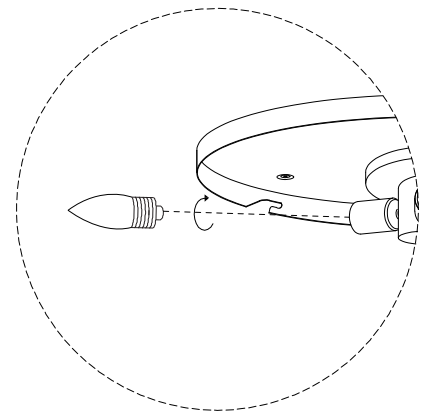
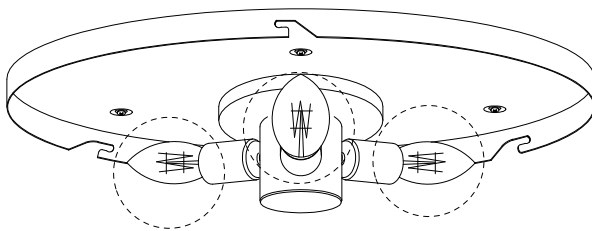
B



1



2



3

