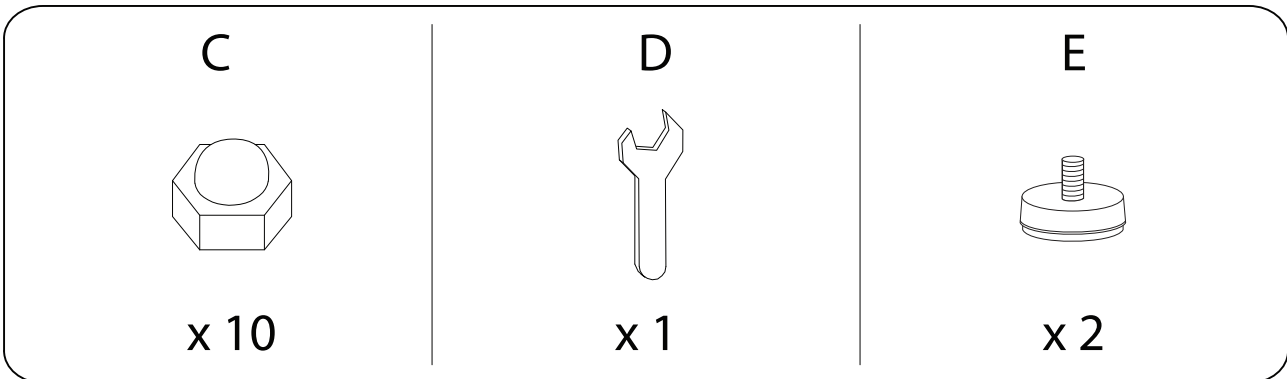
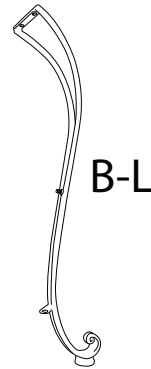
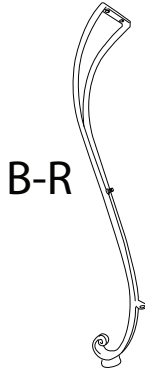
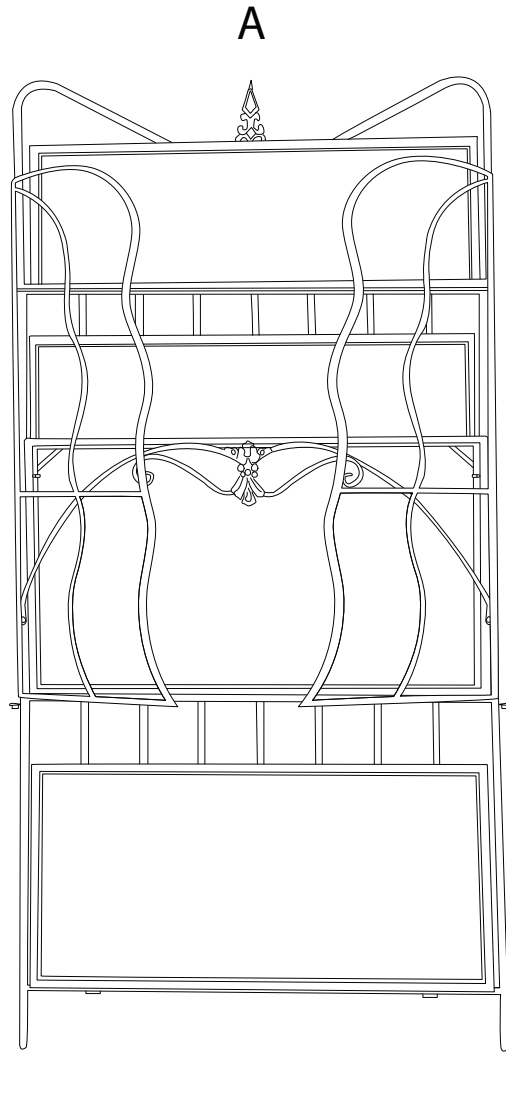
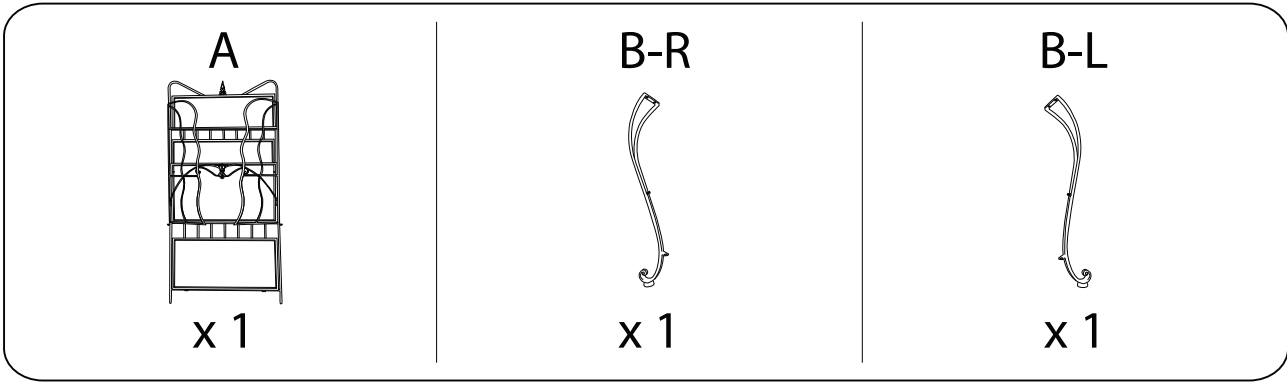
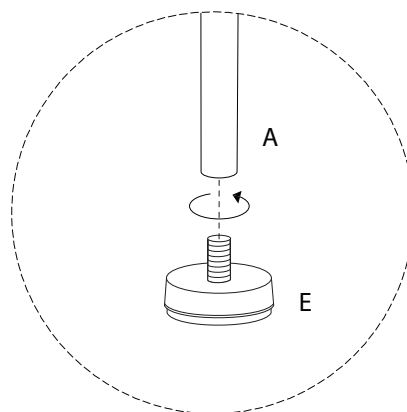
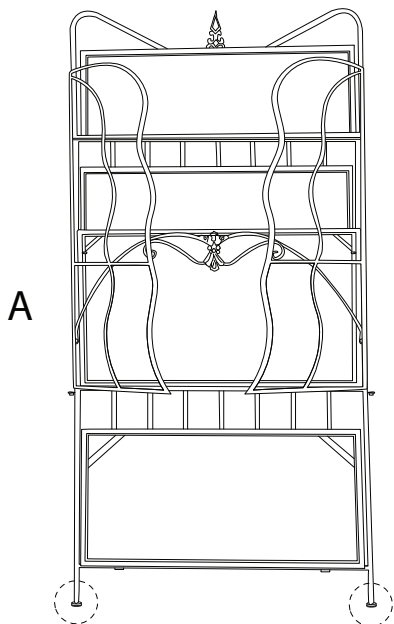
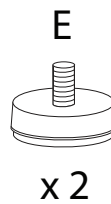


Assembly instructions for step 1/5:

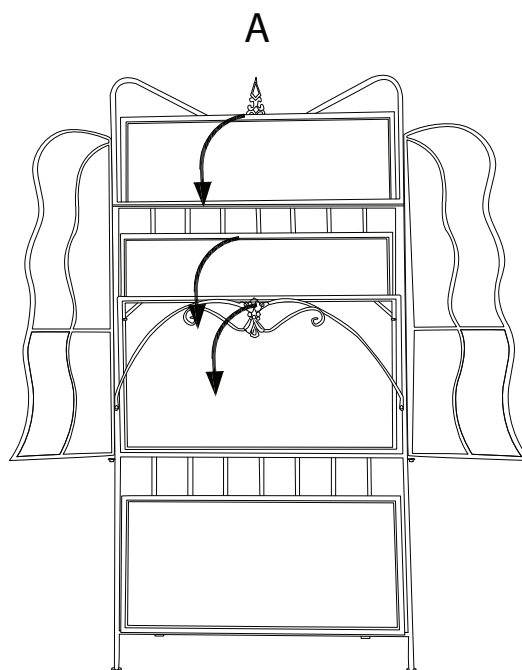
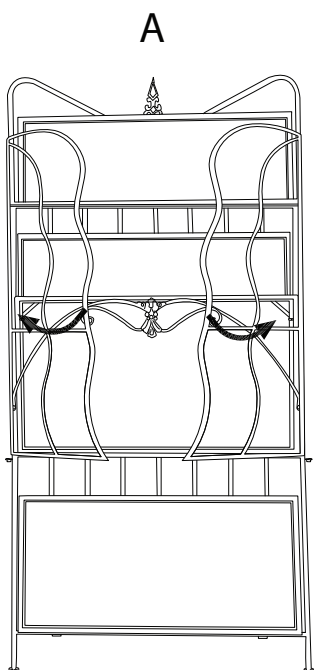
- Tools:** A wrench is required, and a power drill is not to be used.
- Time:** Estimated assembly time is 20 minutes.
- Warnings:** Two warning triangles with exclamation marks are present, indicating safety precautions.
- Personnel:** One person is required for assembly.



1



2



3

C

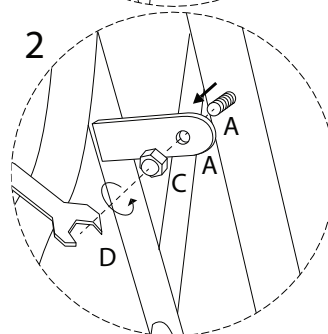
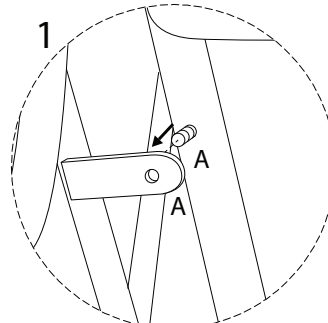
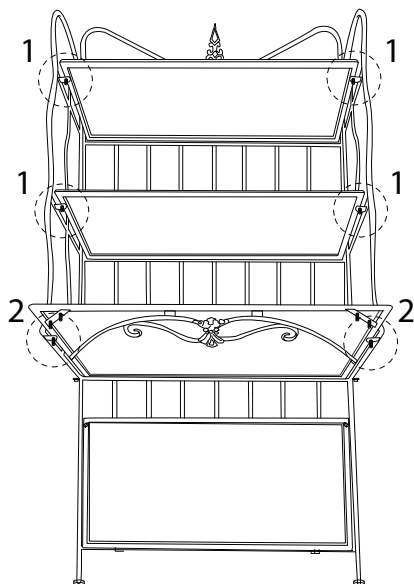


x 2

D



x 1



4

B-R



x 1

B-L



x 1

C

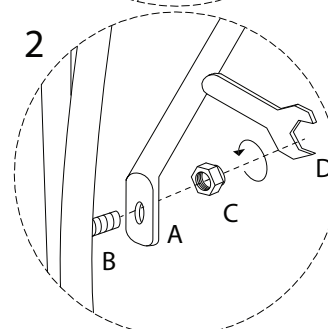
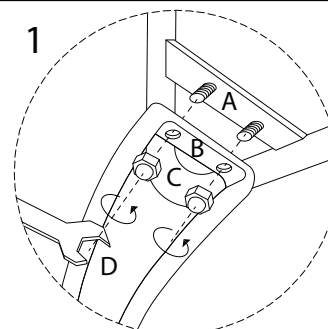
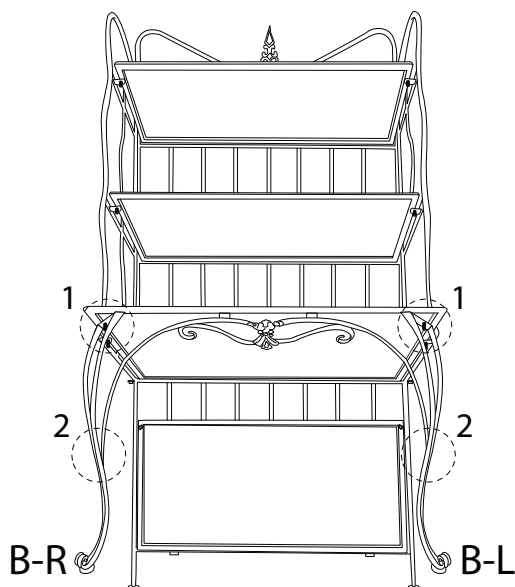


x 6

D



x 1



5

C

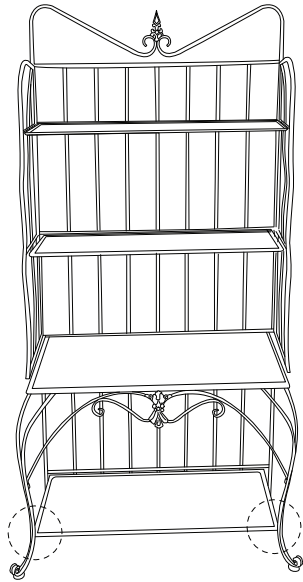


x 2

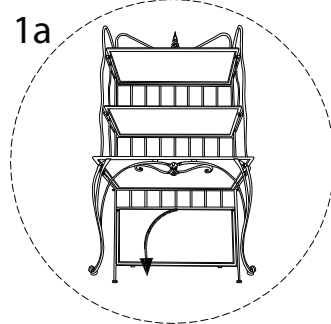
D



x 1



1a



1b

