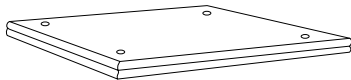
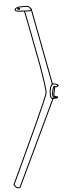



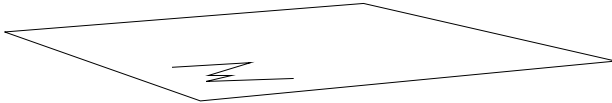


Diagram illustrating assembly instructions and safety warnings:

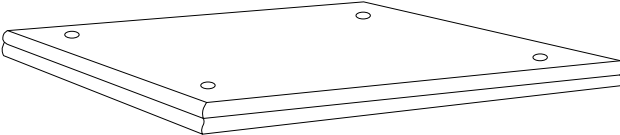
- Warning 1:** A warning triangle with an exclamation mark is shown above a box containing an L-shaped bracket and a crossed-out power drill icon, indicating that a power drill should not be used for this step.
- Warning 2:** A second warning triangle with an exclamation mark is shown above a box containing a rectangular block and a crossed-out icon of a block being lifted, indicating a lifting or handling warning.
- Time:** A clock icon is shown next to the text "15'", indicating a 15-minute assembly time.
- Person:** A person icon is shown next to the number "1", indicating that one person is required for this step.

<p>A</p>  <p>x 1</p>	<p>B</p>  <p>x 4</p>	<p>C</p>  <p>M6 x 10</p> <p>x 4</p>
---	---	--

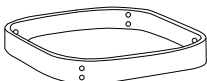
G



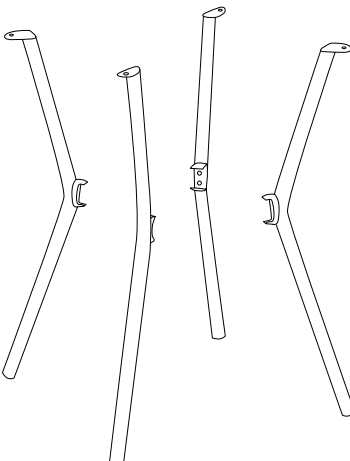
A


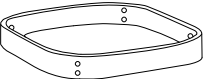
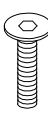
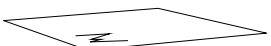


E

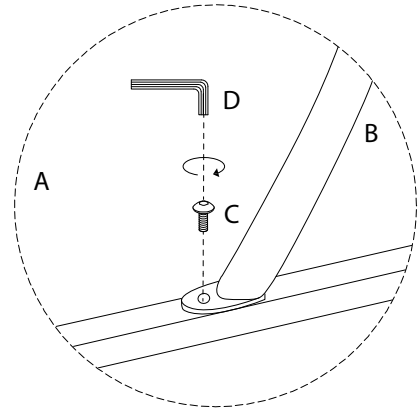
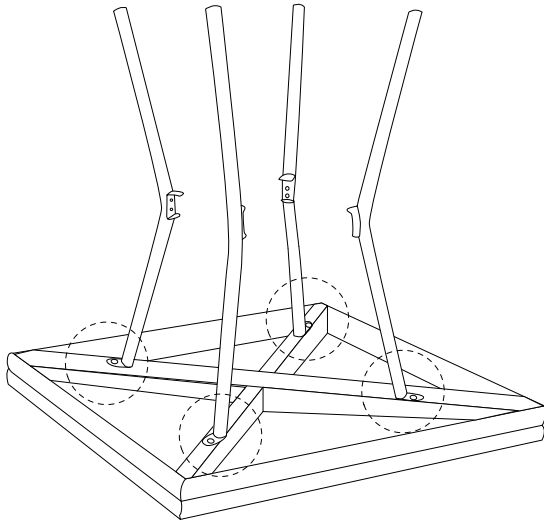
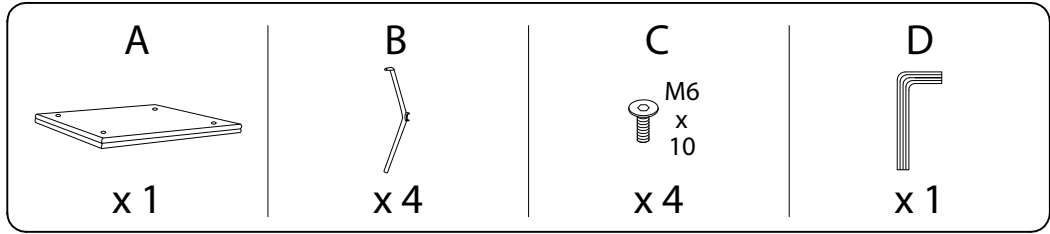


B x 4

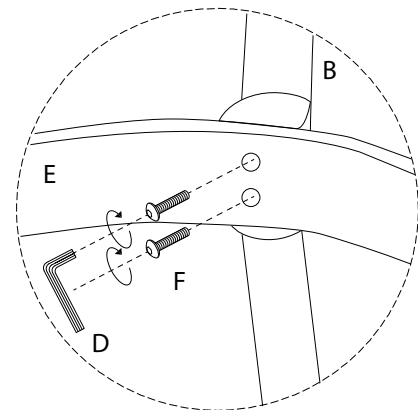
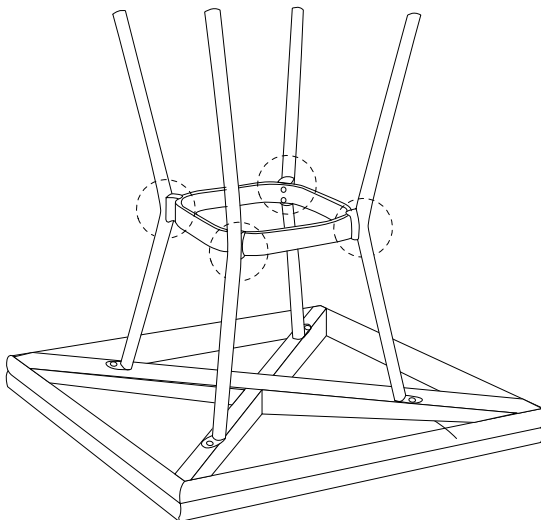
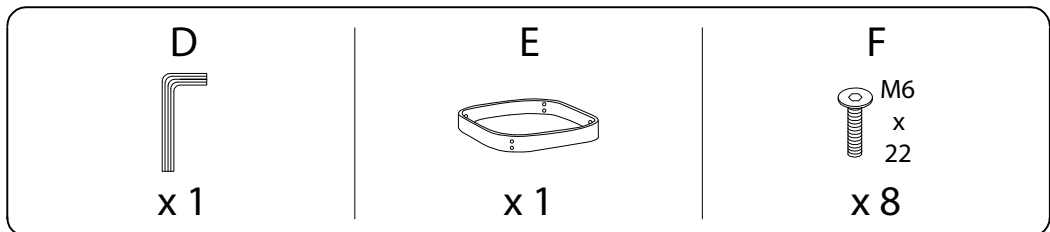


<p>D</p>  <p>x 1</p>	<p>E</p>  <p>x 1</p>	<p>F</p>  <p>M6 x 22</p> <p>x 8</p>	<p>G</p>  <p>x 1</p>
---	---	--	---

1



2



3

