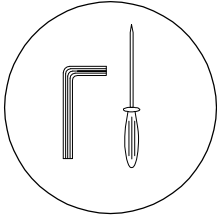
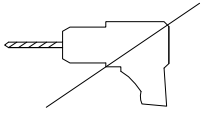
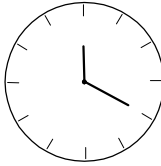
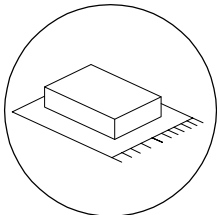
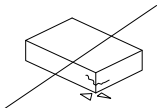

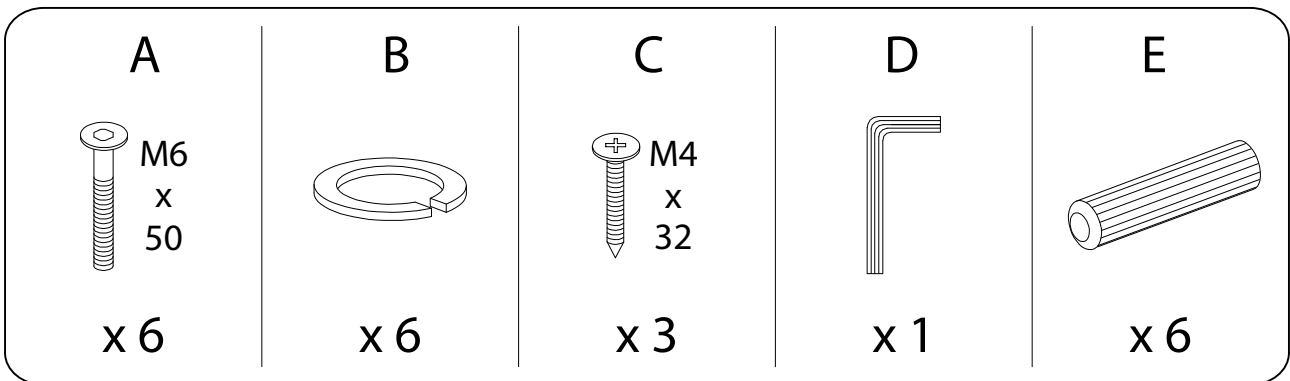
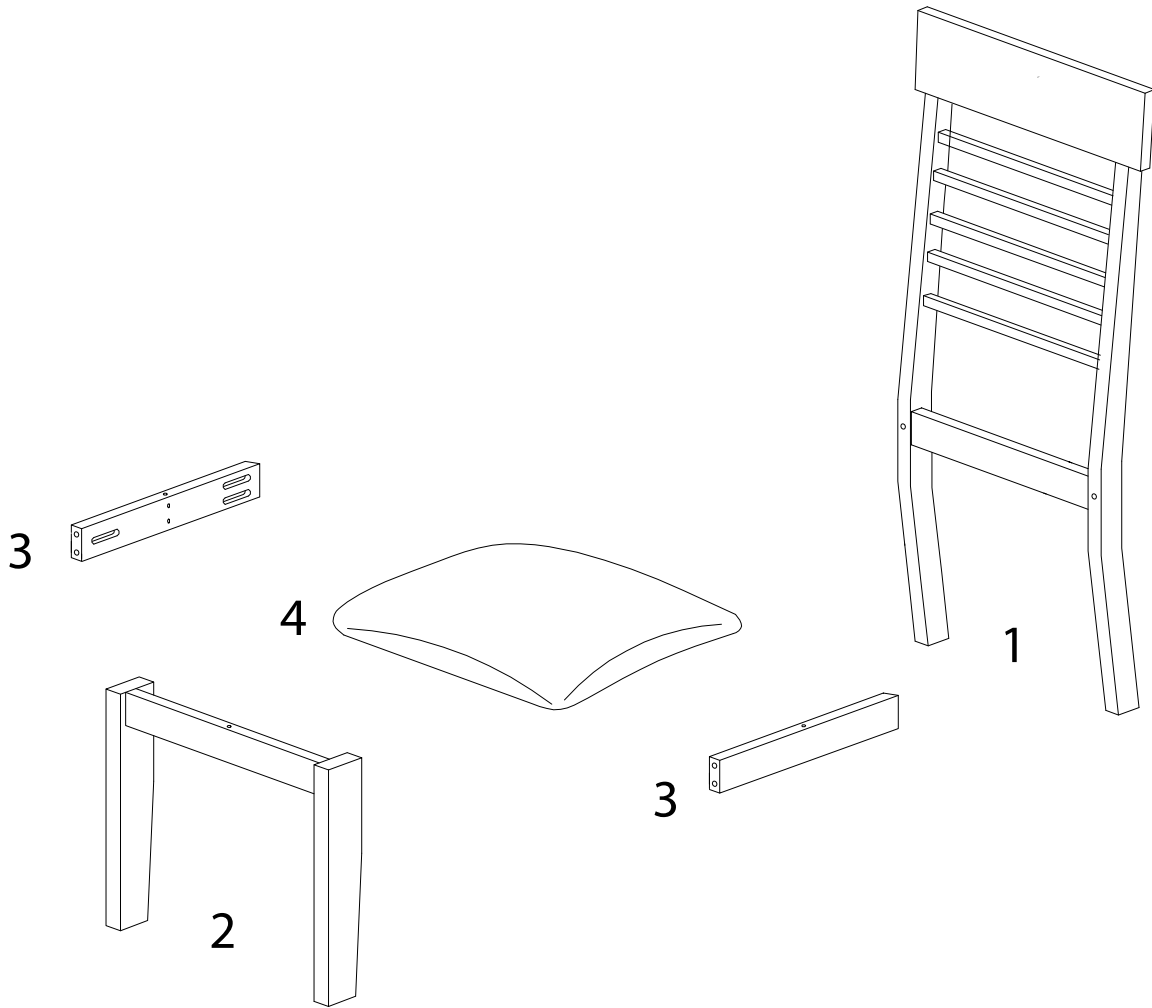
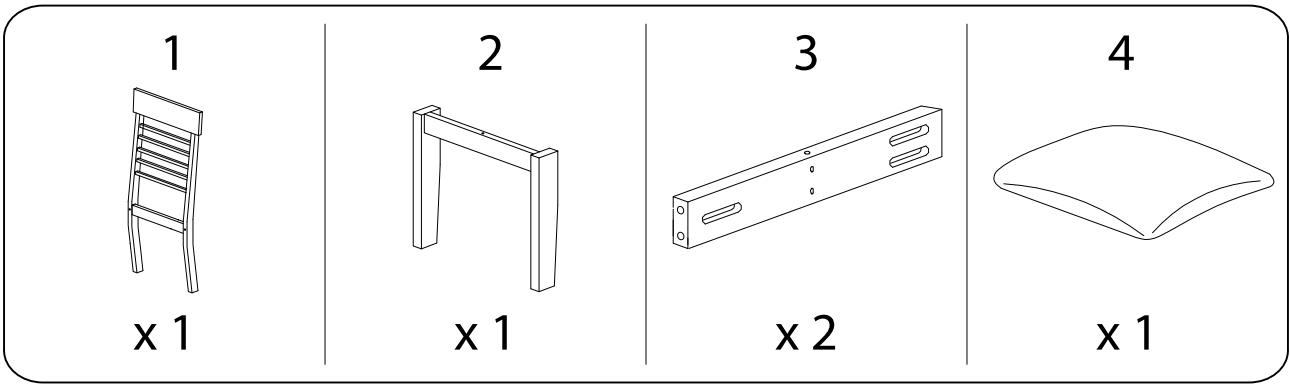
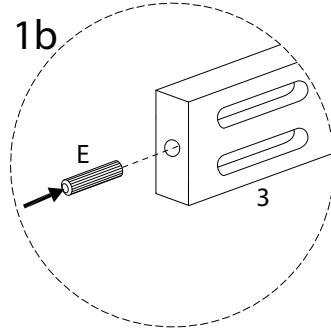
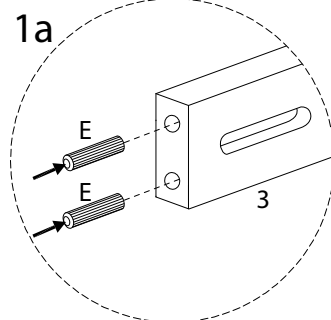
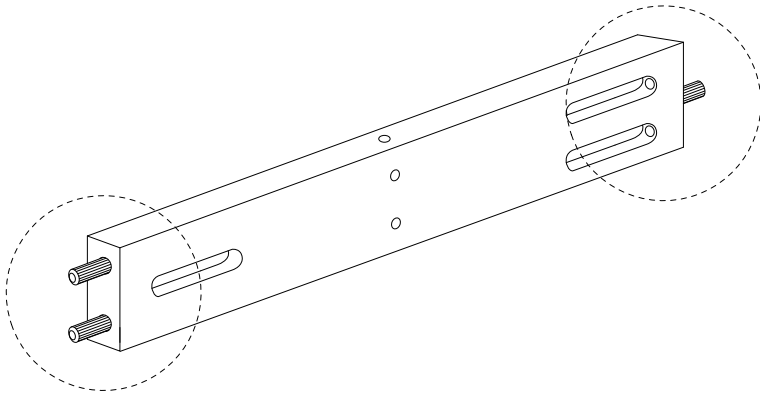
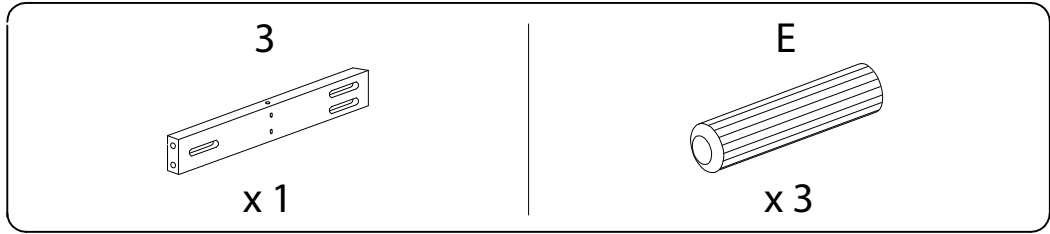


!    20'

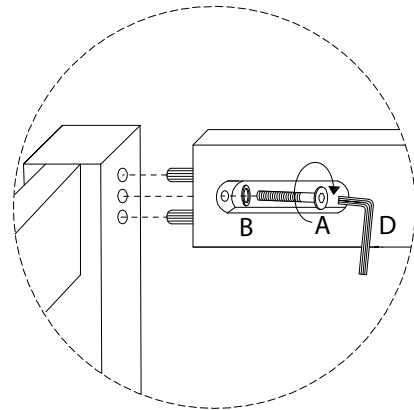
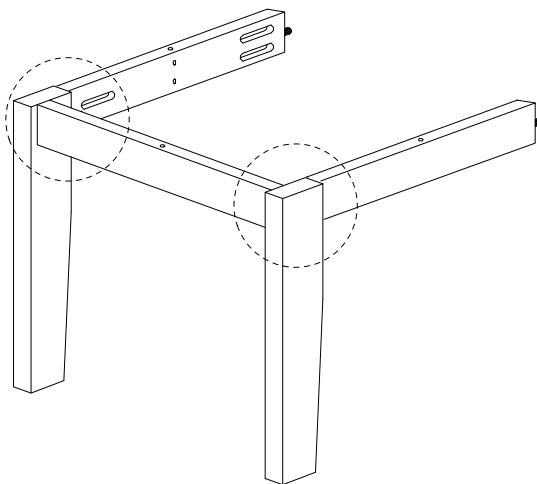
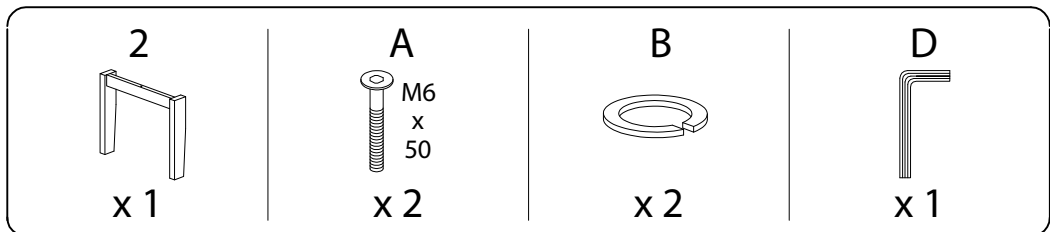
!    1



1



2



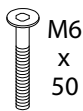
3

1



x 1

A



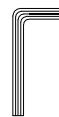
x 4

B

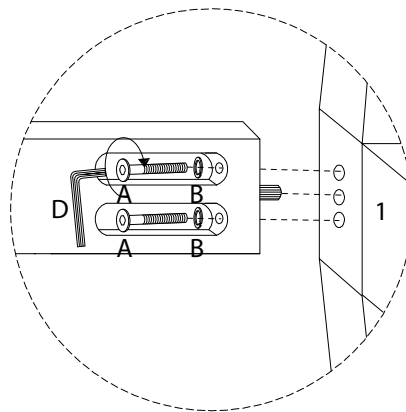
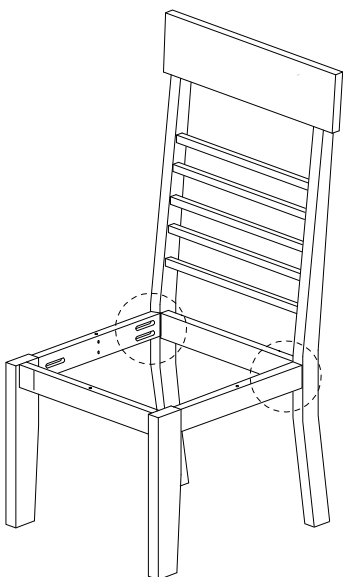


x 4

D



x 1



4

4



x 1

C



x 3

