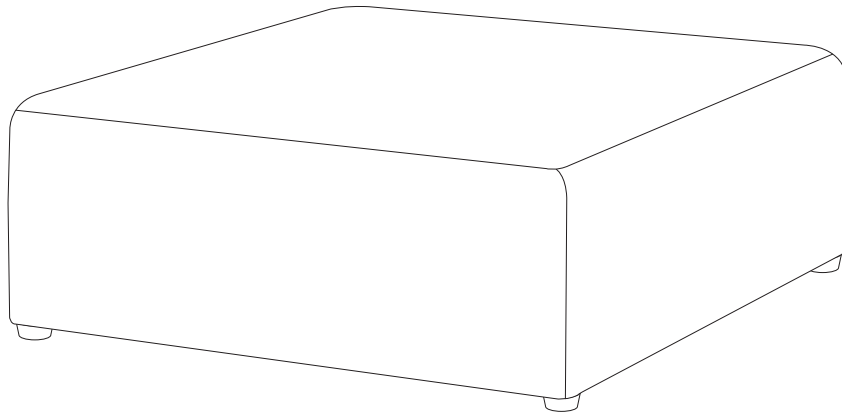


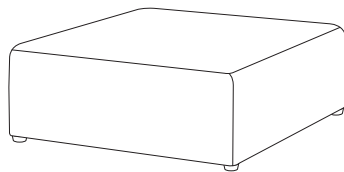
Diagram illustrating assembly instructions and warnings:

- Warning 1:** A crossed-out power drill icon indicates that a power drill should not be used for assembly. This is accompanied by a warning triangle with an exclamation mark.
- Warning 2:** A crossed-out icon of a block being drilled from the bottom indicates that drilling should not be performed on the underside of the ottoman. This is also accompanied by a warning triangle with an exclamation mark.
- Time:** A clock icon with the text "15'" indicates that the assembly process should take approximately 15 minutes.
- Person:** An icon of a person with the number "1" below it indicates that one person is required for assembly.

A



A



x 1

!

