



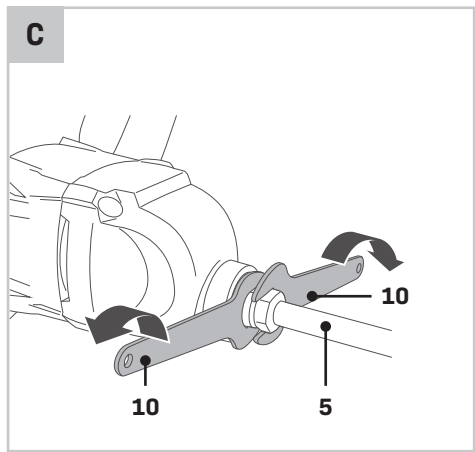
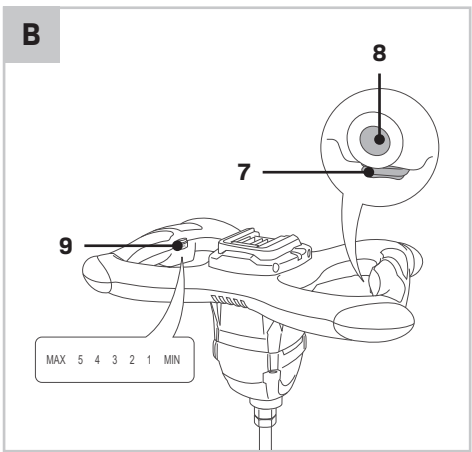
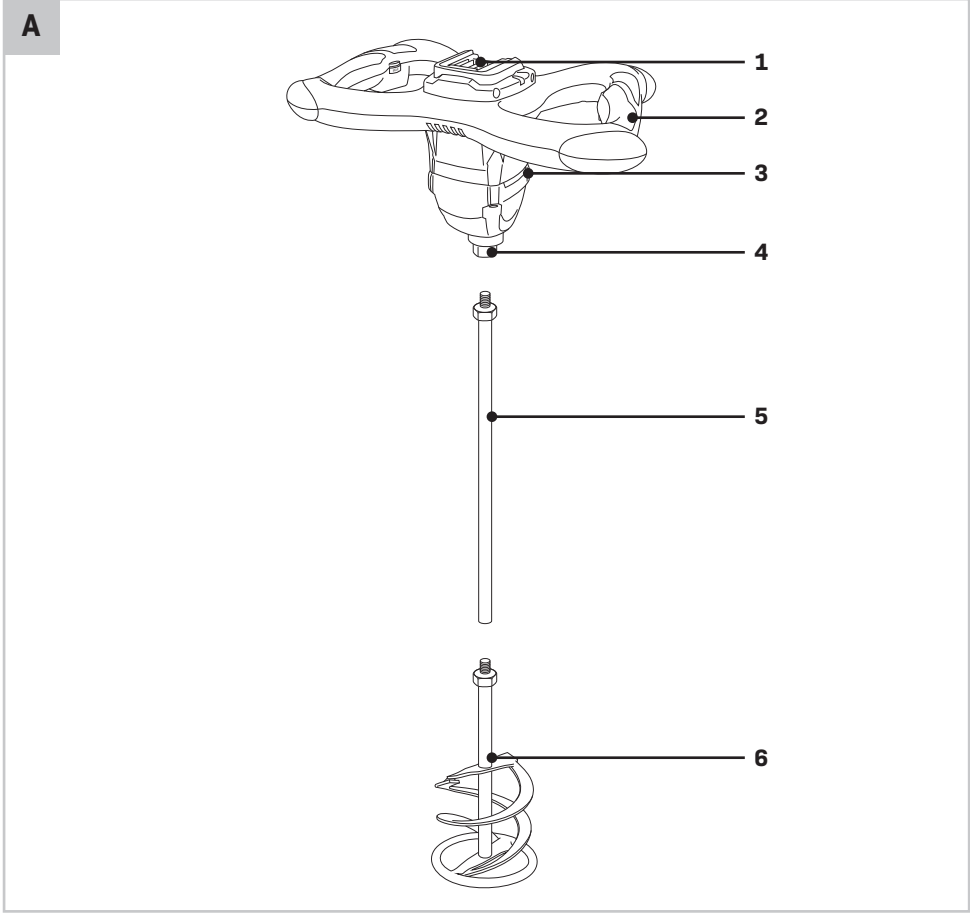
VONROC®

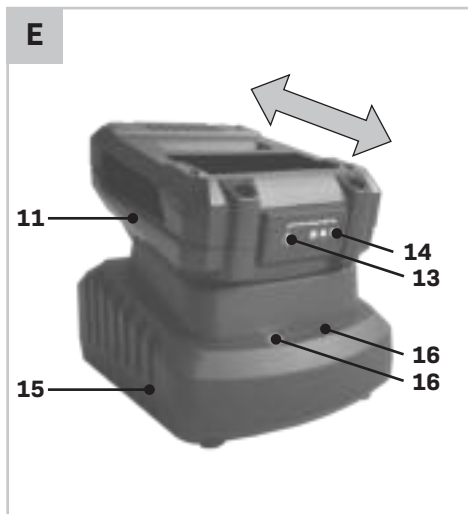
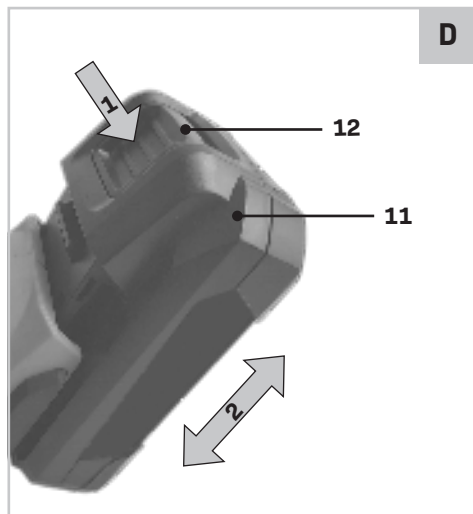
BUILD YOUR FUTURE

**PAINT/CEMENT MIXER
PM506DC / S_PM506DC
S2_PM506DC / S3_PM506DC**



EN	Original Instructions	04
DE	Übersetzung Der Originalbetriebsanleitung	10
NL	Vertaling van de oorspronkelijke gebruiksaanwijzing	18
FR	Traduction de la notice originale	25
ES	Traducción del manual original	32
IT	Traduzione delle istruzioni originali	39
SV	Översättning av bruksanvisning i original	46
DA	Oversættelse af den originale brugsanvisning	53
PL	Tłumaczenie instrukcji oryginalnej	59
RO	Traducere a instrucțiunilor originale	67
TR	Orijinal talimatların çevirisi	74





1. SAFETY INSTRUCTIONS

Read the enclosed safety warnings, the additional safety warnings and the instructions. Failure to follow the safety warnings and the instructions may result in electric shock, fire and/or serious injury. Save the safety warnings and the instructions for future reference.

The following symbols are used in the user manual or on the product:



Read the user manual.



Denotes risk of personal injury, loss of life or damage to the tool in case of non-observance of the instructions in this manual.



Variable electronic speed.



Wear safety goggles.



Wear hearing protection.



Wear a dust mask.



Time-lag miniature fuse-link.



Max temperature 45°C.



Do not throw the battery into fire.



Do not throw the battery into water.



Separate collection for Li-ion battery



The product is in accordance with the applicable safety standards in the European directives.

GENERAL POWER TOOL SAFETY WARNINGS



WARNING! Read all safety warnings and all instructions. Failure to follow the warnings and instructions may result in electric shock, fire and/or serious injury.

Save all warnings and instructions for future reference.

The term “power tool” in the warnings refers to your mains-operated (corded) power tool or battery-operated (cordless) power tool.

1) Work area safety

- a) **Keep the work area clean and well lit.** Cluttered or dark areas invite accidents.
- b) **Do not operate power tools in explosive atmospheres, such as in the presence of flammable liquids, gases or dust.** Power tools create sparks which may ignite the dust or fumes.
- c) **Keep children and bystanders away while operating a power tool.** Distractions can cause you to lose control.

2) Electrical safety

- a) **Power tool plugs must match the outlet. Never modify the plug in any way. Do not use any adapter plugs with earthed (grounded) power tools.** Unmodified plugs and matching outlets will reduce risk of electric shock.
- b) **Avoid body contact with earthed or grounded surfaces, such as pipes, radiators, ranges and refrigerators.** There is an increased risk of electric shock if your body is earthed or grounded.
- c) **Do not expose power tools to rain or wet conditions.** Water entering a power tool will increase the risk of electric shock.
- d) **Do not abuse the cord. Never use the cord for carrying, pulling or unplugging the power tool. Keep cord away from heat, oil, sharp edges or moving parts.** Damaged or entangled cords increase the risk of electric shock.
- e) **When operating a power tool outdoors, use an extension cord suitable for outdoor use.** Use of a cord suitable for outdoor use reduces the risk of electric shock.
- f) **If operating a power tool in a damp location is unavoidable, use a residual current device (RCD) protected supply.** Use of an RCD reduces the risk of electric shock.

3) Personal safety

- a) **Stay alert, watch what you are doing and use common sense when operating a power tool. Do not use a power tool while you are tired or under the influence of drugs, alcohol or medication.** A moment of inattention while operating power tools may result in serious personal injury.
- b) **Use personal protective equipment. Always wear eye protection.** Protective equipment such as dust mask, non-skid safety shoes, hard hat, or hearing protection used for appropriate conditions will reduce personal injuries.
- c) **Prevent unintentional starting. Ensure the**

- switch is in the off-position before connecting to power source and/or battery pack, picking up or carrying the tool.** Carrying power tools with your finger on the switch or energising power tools that have the switch on invites accidents.
- d) **Remove any adjusting key or wrench before turning the power tool on.** A wrench or a key left attached to a rotating part of the power tool may result in personal injury.
 - e) **Do not overreach. Keep proper footing and balance at all times.** This enables better control of the power tool in unexpected situations.
 - f) **Dress properly. Do not wear loose clothing or jewellery. Keep your hair, clothing and gloves away from moving parts.** Loose clothes, jewellery or long hair can be caught in moving parts.
 - g) **If devices are provided for the connection of dust extraction and collection facilities, ensure these are connected and properly used.** Use of dust collection can reduce dust related hazards.
 - h) **Do not let familiarity gained from frequent use of tools allow you to become complacent and ignore tool safety principles.** A careless action can cause severe injury within a fraction of a second.
- 4) Power tool use and care**
- a) **Do not force the power tool. Use the correct power tool for your application.** The correct power tool will do the job better and safer at the rate for which it was designed.
 - b) **Do not use the power tool if the switch does not turn it on and off.** Any power tool that cannot be controlled with the switch is dangerous and must be repaired.
 - c) **Disconnect the plug from the power source and/or the battery pack from the power tool before making any adjustments, changing accessories, or storing power tools.** Such preventive safety measures reduce the risk of starting the power tool accidentally.
 - d) **Store idle power tools out of the reach of children and do not allow persons unfamiliar with the power tool or these instructions to operate the power tool.** Power tools are dangerous in the hands of untrained users.
 - e) **Maintain power tools. Check for misalignment or binding of moving parts, breakage of parts and any other condition that may affect the power tool's operation. If damaged, have the power tool repaired before use.** Many accidents are caused by poorly maintained power tools.
 - f) **Keep cutting tools sharp and clean.** Properly maintained cutting tools with sharp cutting edges are less likely to bind and are easier to control.
 - g) **Use the power tool, accessories and tool bits etc. in accordance with these instructions, taking into account the working conditions and the work to be performed.** Use of the power tool for operations different from those intended could result in a hazardous situation.
 - h) **Keep handles and grasping surfaces dry, clean and free from oil and grease.** Slippery handles and grasping surfaces do not allow for safe handling and control of the tool in unexpected situations.
- 5) Battery tool use and care**
- a) **Recharge only with the charger specified by the manufacturer.** A charger that is suitable for one type of battery pack may create a risk of fire when used with another battery pack.
 - b) **Use power tools only with specifically designed battery packs.** Use of any other battery packs may create a risk of injury and fire.
 - c) **When battery pack is not in use, keep it away from other metal objects, like paper clips, coins, keys, nails, screws or other small metal objects that can make a connection from one terminal to another.** Shorting the battery terminals together may cause burns or a fire.
 - d) **Under abusive conditions, liquid may be ejected from the battery; avoid contact. If contact accidentally occurs, flush with water. If liquid contacts eyes, additionally seek medical help.** Liquid ejected from the battery may cause irritation or burns.
 - e) **Do not use a battery pack or tool that is damaged or modified.** Damaged or modified batteries may exhibit unpredictable behaviour resulting in fire, explosion or risk of injury.
 - f) **Do not expose a battery pack or tool to fire or excessive temperature.** Exposure to fire or temperature above 130 °C may cause explosion. NOTE The temperature „130 °C“ can be replaced by the temperature „265 °F“.
 - g) **Follow all charging instructions and do not charge the battery pack or tool outside the temperature range specified in the instructions.** Charging improperly or at temperatures outside the specified range may damage the battery and increase the risk of fire.

6) Service

- a) **Have your power tool serviced by a qualified repair person using only identical replacement parts.** This will ensure that the safety of the power tool is maintained.
- b) **Never service damaged battery packs.** Service of battery packs should only be performed by the manufacturer or authorized service providers.

ADDITIONAL SAFETY INSTRUCTIONS

- **Hold the tool with both hands at the intended handles.** Loss of control can cause personal injury.
- **Ensure sufficient ventilation when mixing flammable materials to avoid a hazardous atmosphere.** Developing vapour may be inhaled or be ignited by the sparks the power tool produces.
- **Do not mix food.** Power tools and their accessories are not designed for processing food.
- **Keep the cord away from the working area.** The cord may be entangled by the mixer basket.
- **Ensure that the mixing container is placed in a firm and secure position.** A container that is not properly secured may move unexpectedly.
- **Ensure that no liquid splashes against the housing of the power tool.** Liquid that has penetrated the power tool can cause damage and lead to electric shock.
- **Follow the instructions and warnings for the material to be mixed.** Material to be mixed may be harmful.
- **If the power tool falls into the material to be mixed, unplug the tool immediately and have the power tool checked by a qualified repair person.** Reaching into the bucket with the tool still plugged in can lead to electric shock.
- **Do not reach into the mixing container with your hands or insert any other objects into it while mixing.** Contact with the mixer basket may lead to serious personal injury.
- **Start up and run down the tool in the mixing container only.** The mixer basket may bend or spin in an uncontrolled manner.

SAFETY WARNINGS FOR BATTERY

- a) **Do not open the battery.** Danger of shortcircuiting.
- b) **Protect the battery against heat, e. g., against continuous intense sunlight, fire, water, and moisture.** Danger of explosion.
- c) **In case of damage and improper use of the battery, vapours may be emitted. Ventilate the area and seek medical help in case of complaints.**

- The vapours can irritate the respiratory system.
- d) **Use the battery only in conjunction with your Vonroc product.** This measure alone protects the battery against dangerous overload.
- e) **The battery can be damaged by pointed objects such as nails or screwdrivers or by force applied externally.** An internal short circuit can occur and the battery can burn, smoke, explode or overheat.

SAFETY WARNINGS FOR CHARGER**Intended use**

Charge only CD801AA and CD803AA type rechargeable Battery packs with the charger. Other types of batteries may burst causing personal injury and damage.

- a) **The appliance is not to be used by persons (including children) with reduced physical, sensory or mental capabilities, or lack of experience and knowledge, unless they have been given supervision or instruction.**
- b) **Children being supervised not to play with the appliance.**
- c) **Do not recharging non-rechargeable batteries!**
- d) **During charging, batteries must be placed in the well ventilated area!**

Electrical safety

Always check that the voltage of the power supply corresponds to the voltage on the rating plate.

- Do not use the machine if the mains cable or the mains plug is damaged.
- Only use extension cables that are suitable for the power rating of the machine with a minimum thickness of 1.5 mm². If you use an extension cable reel, always fully unroll the cable.


2. MACHINE INFORMATION**Intended use**


The machine is intended for mixing pulverised building materials such as mortar, plaster, adhesives, as well as solvent free paint, varnish and similar substances. Improper use may damage the tool.


TECHNICAL SPECIFICATIONS


This manual has been drawn up for different sets / article numbers. Check the corresponding article number in below specifications table for the correct composition and contents of your set.

Model No.	Batteries included	Chargers included
PM506DC	-	-
S_PM506DC	CD801AA	CD802AA
S2_PM506DC	2 x CD801AA	CD802AA
S3_PM506DC	CD803AA	CD802AA

Machine information	
Voltage	20V 
No load speed	0-650/min
Tool mount	M14
Whisk	Ø 120mm
Weight	3.6 kg
Sound pressure level L_{PA}	77.1 dB(A)
Acoustic power level L_{WA}	88.1 dB(A)
Vibration value	
Left handle	3.081 m/s ² , K= 1.5 m/s ²
Right handle	4.314 m/s ² , K= 1.5 m/s ²

Model No.	CD801AA
Battery Type	Lithium-Ion
Voltage	20V 
Capacity	2.0 Ah
Recommended charger	CD802AA
Weight	0.3 kg

Model No.	CD802AA
Charger input	220-240V, 50Hz 0.4A
Charger output	21V  2.5A
Charging time 2Ah battery	60 minutes
Charging time 4Ah battery	120 minutes
Recommended batteries	CD801AA, CD803AA
Weight	0.36 kg

Model No.	CD803AA
Battery Type	Lithium-Ion
Voltage	20V 
Capacity	4.0 Ah
Recommended charger	CD802AA
Weight	0.65 kg

Only use the following batteries of the VONROC VPOWER 20V battery platform. Using any other batteries could cause serious injury or damage the tool.

CD801AA 20V, 2Ah Lithium-Ion
 CD803AA 20V, 4Ah Lithium-Ion

The following charger of the can be used to charge these batteries.

CD802AA Quick charger

The batteries of the VONROC VPOWER 20V battery platform are interchangeable with all the VONROC VPOWER 20V battery platform tools.

Vibration level

The vibration emission level stated in this instruction manual has been measured in accordance with a standardized test given in EN60745; it may be used to compare one tool with another and as a preliminary assessment of exposure to vibration when using the tool for the applications mentioned.

- Using the tool for different applications, or with different or poorly maintained accessories, may significantly increase the exposure level.
- The times when the tool is switched off or when it is running but not actually doing the job, may significantly reduce the exposure level.

Protect yourself against the effects of vibration by maintaining the tool and its accessories, keeping your hands warm, and organizing your work patterns.

DESCRIPTION

The numbers in the text refer to the diagrams on pages 2 - 3.

1. Battery holder
2. Handle
3. Ventilation openings
4. Tool holder
5. Whisk shaft
6. Whisk paddle
7. On/off switch
8. Lock-off button
9. Speed adjustment wheel
10. Spanner
11. Battery
12. Battery unlock button
13. Battery LED indicators button
14. Battery LED indicators
15. Charger
16. Charger LED indicators

3. ASSEMBLY



Before any work on the power tool, remove the battery.



The battery must be charged before first use.

Inserting the battery into the machine (Fig. D)



Ensure that the exterior of the battery is clean and dry before connecting to the charger or machine.

1. Insert the battery (11) into the base of the machine like shown in Fig. D.
2. Push the battery further forward until it clicks into place.

Removing the battery from the machine (Fig. D)

1. Push the battery unlock button (12).
2. Pull the battery out of the machine like shown in Fig. D.

Checking the battery charging status (Fig. E)

- To check the battery charge status, push the button (13) on battery shortly.
- The battery has 3 lights indicating the charge level, the more lights that burn, the more charge the battery has left.
- When the lights are not burning it means the battery is empty and must be charged immediately.

Charging the battery with the charger (Fig. E)

1. Take the battery (11) from the machine.
2. Turn the battery (11) to upside down position and slide it onto the charger (15) as shown in Fig. E.
3. Push the battery until it is fully pushed into the slot.
4. Plug the charger plug into an electrical outlet and wait for a while. The LED indicators on the charger (14) will lighten up and show the charger status.

The charger has 2 LED indicators (16) which indicate the status of the charging process:

Red LED Status	Green LED status	Charger status
Off	Off	No power
Off	On	Standby mode: - No battery is inserted or, - Battery inserted but charging has finished
On	Off	Battery charging in progress

- Fully charging the 2Ah battery may take up to 60 minutes.
- Fully charging the 4Ah battery may take up to 120 minutes.

After the battery is fully charged remove the charger plug from the outlet and remove the battery from the charger.



When the machine is not being used over a longer period of time it is best to store the battery in charged condition.

Assembling the two-part whisk (Fig. A)

1. Screw the Whisk shaft (5) onto the Whisk paddle (6)
2. Tighten both parts securely

Replacing the whisk (Fig. C)



Always remove the battery before mounting an accessory.

Use only whisks conform the specified diameter. Always use a whisk that is suitable for the material to be mixed/stirred. Using an unsuitable mixer bar can unnecessarily overload both the machine and yourself.

Mounting the whisk

1. Screw the assembled whisk into the tool holder (4) in clockwise direction as far as possible.
2. Tighten the whisk into the tool holder using the supplied spanners (10). To do so, hold the tool holder (4) using one of the supplied spanners, and use the second spanner to tighten the assembled whisk.

Removing the whisk

1. Loosen the assembled whisk using the supplied spanners (10). To do so, hold the tool holder (4) using one of the supplied spanners (10), and use the second spanner to loosen the assembled whisk.
2. Unscrew the whisk from the tool holder (4) in anti-clockwise direction.

4. OPERATION

Switching on and off (Fig. B)

The on/off switch (7) is used for activating the machine and adjusting speed.

- To start the machine, press and hold the lock off button (8) and press the on/off switch (7).
- To stop the machine, release the on/off switch (7).

Speed adjustment (Fig. B)

The required speed can be adjusted by using the Speed adjustment wheel (9). Also during operation the rotational speed can be adjusted.

- To increase the speed, turn the Speed adjustment knob (9) clockwise.
- To decrease the speed, turn the Speed adjustment knob (9) anti-clockwise.

The required speeds depends on the material and can be determined by practical testing.

Optimum use

- For materials with low viscosity, e.g. emulsion paint, varnishes, adhesive, grouting compound and cement slurry, a stirrer whisk with a so-called left-hand spiral is recommended for optimum use. With a left-hand spiral, the material is moved from the top downwards and the stirrer whisk is pushed upwards. Materials with low viscosity are mixed in a way which minimises splattering, so a low speed is recommended.
- For materials with high viscosity, e.g. plaster, concrete, cement, screed, filler and epoxy resin, a stirrer whisk with a so-called right-hand spiral is recommended for optimum use. With a right-hand spiral, the material is moved from the bottom upwards and the stirrer whisk is pulled downwards (working its way into the mixture). Materials with high viscosity are mixed thoroughly, so a high speed is recommended.
- For optimum results, move the power tool in an up and down motion while mixing.
- It is recommended to clean the whisk after use,

for example by stirring the whisk in a bucket filled with water.

5. MAINTENANCE



Before cleaning and maintenance, always switch off the machine and remove the battery pack from the machine.

Clean the machine casings regularly with a soft cloth, preferably after each use. Make sure that the ventilation openings (3) are free of dust and dirt. Remove very persistent dirt using a soft cloth moistened with soapsuds. Do not use any solvents such as gasoline, alcohol, ammonia, etc. Chemicals such as these will damage the synthetic components.

ENVIRONMENT



Faulty and/or discarded electrical or electronic apparatus have to be collected at the appropriate recycling locations.

Only for EC countries

Do not dispose of power tools into domestic waste. According to the European Guideline 2012/19/EC for Waste Electrical and Electronic Equipment and its implementation into national right, power tools that are no longer usable must be collected separately and disposed of in an environmentally friendly way.

WARRANTY

VONROC products are developed to the highest quality standards and are guaranteed free of defects in both materials and workmanship for the period lawfully stipulated starting from the date of original purchase. Should the product develop any failure during this period due to defective material and/or workmanship then contact VONROC directly.

The following circumstances are excluded from this guarantee:

- Repairs and or alterations have been made or attempted to the machine by unauthorized service centers;
- Normal wear and tear;
- The tool has been abused, misused or improperly maintained;
- Non-original spare parts have been used.

This constitutes the sole warranty made by company either expressed or implied. There are no other warranties expressed or implied which extend beyond the face hereof, herein, including the implied warranties of merchantability and fitness for a particular purpose. In no event shall VONROC be liable for any incidental or consequential damages. The dealers remedies shall be limited to repair or replacement of nonconforming units or parts.

The product and the user manual are subject to change. Specifications can be changed without further notice.

1. SICHERHEITSANWEISUNGEN

Lesen Sie die beiliegenden Sicherheitsanweisungen, die zusätzlichen Sicherheitsanweisungen sowie diese Bedienungsanleitung sorgfältig durch.

Bei Nichtbeachten der Sicherheitsanweisungen und der Bedienungsanleitung kann es zu einem Stromschlag, einem Brand und/oder schweren Verletzungen kommen. Bewahren Sie die Sicherheitsanweisungen und die Bedienungsanleitung zur künftigen Bezugnahme sicher auf.

Folgende Symbole werden im Benutzerhandbuch oder auf dem Produkt verwendet:



Lesen Sie das Benutzerhandbuch.



Lebens- und Verletzungsgefahr und Gefahr von Beschädigungen am Werkzeug/Gerät bei Nichteinhaltung der Anweisungen in dieser Bedienungsanleitung.



Verstellbarer Geschwindigkeitsregler.



Schutzbrille und Gehörschutz tragen.



Tragen Sie eine Staubmaske.



Sicherungseinsatz für träge Sicherungen.



Höchsttemperatur 45 °C.



Batterien/Akkus nicht in offene Feuer werfen.



Batterien/Akkus nicht ins Wasser werfen.



Der Li-Ionen-Akku muss separat der Wertstoffsammlung zugeführt werden.



Das Produkt entspricht den geltenden Sicherheitsnormen der europäischen Richtlinien.

ALLGEMEINE SICHERHEITSHINWEISE



WARNUNG! Lesen Sie alle Sicherheitshinweise, Anweisungen, Bebilderungen und technischen Daten, mit denen dieses Elektrowerkzeug versehen ist. Versäumnisse bei der Einhaltung der nachfolgenden

Anweisungen können elektrischen Schlag, Brand und/oder schwere Verletzungen verursachen.

Bewahren Sie alle Sicherheitshinweise und Anweisungen für die Zukunft auf.

Der in den Sicherheitshinweisen verwendete Begriff „Elektrowerkzeug“ bezieht sich auf netzbetriebene Elektrowerkzeuge (mit Netzleitung) oder auf akkubetriebene Elektrowerkzeuge (ohne Netzleitung).

1) Arbeitsplatzsicherheit

- a) **Halten Sie Ihren Arbeitsbereich sauber und gut beleuchtet.** Unordnung oder unbeleuchtete Arbeitsbereiche können zu Unfällen führen.
- b) **Arbeiten Sie mit dem Elektrowerkzeug nicht in explosionsgefährdeter Umgebung, in der sich brennbare Flüssigkeiten, Gase oder Stäube befinden.** Elektrowerkzeuge erzeugen Funken, die den Staub oder die Dämpfe entzünden können.
- c) **Halten Sie Kinder und andere Personen während der Benutzung des Elektrowerkzeugs fern.** Bei Ablenkung können Sie die Kontrolle über das Elektrowerkzeug verlieren.

2) Elektrische Sicherheit

- a) **Der Anschlussstecker des Elektrowerkzeugs muss in die Steckdose passen. Der Stecker darf in keiner Weise verändert werden. Verwenden Sie keine Adapterstecker gemeinsam mit schutzgeerdeten Elektrowerkzeugen.** Unveränderte Stecker und passende Steckdosen verringern das Risiko eines elektrischen Schlages.
- b) **Vermeiden Sie Körperkontakt mit geerdeten Oberflächen wie von Rohren, Heizungen, Herden und Kühlschränken.** Es besteht ein erhöhtes Risiko durch elektrischen Schlag, wenn Ihr Körper geerdet ist.
- c) **Halten Sie Elektrowerkzeuge von Regen oder Nässe fern.** Das Eindringen von Wasser in ein Elektrowerkzeug erhöht das Risiko eines elektrischen Schlages.
- d) **Zweckentfremden Sie die Anschlussleitung nicht, um das Elektrowerkzeug zu tragen, aufzuhängen oder um den Stecker aus der Steckdose zu ziehen. Halten Sie die Anschlussleitung fern von Hitze, Öl, scharfen Kanten oder sich bewegenden Teilen.** Beschädigte oder verwickelte Anschlussleitungen erhöhen das Risiko eines elektrischen Schlages.
- e) **Wenn Sie mit einem Elektrowerkzeug im Freien arbeiten, verwenden Sie nur Verlängerungslei-**

tungen, die auch für den Außenbereich geeignet sind. Die Anwendung einer für den Außenbereich geeigneten Verlängerungsleitung verringert das Risiko eines elektrischen Schlages.

- f) **Wenn der Betrieb des Elektrowerkzeugs in feuchter Umgebung nicht vermeidbar ist, verwenden Sie einen Fehlerstromschutzschalter.** Der Einsatz eines Fehlerstromschutzschalters vermindert das Risiko eines elektrischen Schlages.

3) Sicherheit von Personen

- a) **Seien Sie aufmerksam, achten Sie darauf, was Sie tun, und gehen Sie mit Vernunft an die Arbeit mit einem Elektrowerkzeug. Benutzen Sie kein Elektrowerkzeug, wenn Sie müde sind oder unter dem Einfluss von Drogen, Alkohol oder Medikamenten stehen.** Ein Moment der Unachtsamkeit beim Gebrauch des Elektrowerkzeugs kann zu ernsthaften Verletzungen führen.
- b) **Tragen Sie persönliche Schutzausrüstung und immer eine Schutzbrille.** Das Tragen persönlicher Schutzausrüstung, wie Staubmaske, rutschfeste Sicherheitsschuhe, Schutzhelm oder Gehörschutz, je nach Art und Einsatz des Elektrowerkzeugs, verringert das Risiko von Verletzungen.
- c) **Vermeiden Sie eine unbeabsichtigte Inbetriebnahme. Vergewissern Sie sich, dass das Elektrowerkzeug ausgeschaltet ist, bevor Sie es an die Stromversorgung und/oder den Akku anschließen, es aufnehmen oder tragen.** Wenn Sie beim Tragen des Elektrowerkzeugs den Finger am Schalter haben oder das Elektrowerkzeug eingeschaltet an die Stromversorgung anschließen, kann dies zu Unfällen führen.
- d) **Entfernen Sie Einstellwerkzeuge oder Schraubenschlüssel, bevor Sie das Elektrowerkzeug einschalten.** Ein Werkzeug oder Schlüssel, der sich in einem drehenden Teil des Elektrowerkzeugs befindet, kann zu Verletzungen führen.
- e) **Vermeiden Sie eine abnormale Körperhaltung. Sorgen Sie für einen sicheren Stand und halten Sie jederzeit das Gleichgewicht.** Dadurch können Sie das Elektrowerkzeug in unerwarteten Situationen besser kontrollieren.
- f) **Tragen Sie geeignete Kleidung. Tragen Sie keine weite Kleidung oder Schmuck. Halten Sie Haare und Kleidung fern von sich bewegenden Teilen.** Lockere Kleidung, Schmuck oder lange Haare können von sich bewegenden Teilen erfasst werden.
- g) **Wenn Staubabsaug- und -auffangeinrichtungen montiert werden können, sind diese anzu-**

schließen und richtig zu verwenden. Verwendung einer Staubabsaugung kann Gefährdungen durch Staub verringern.

- h) **Wiegen Sie sich nicht in falscher Sicherheit und setzen Sie sich nicht über die Sicherheitsregeln für Elektrowerkzeuge hinweg, auch wenn Sie nach vielfachem Gebrauch mit dem Elektrowerkzeug vertraut sind.** Achtloses Handeln kann binnen Sekundenbruchteilen zu schweren Verletzungen führen.
- 4) **Verwendung und Behandlung des Elektrowerkzeugs**
- a) **Überlasten Sie das Elektrowerkzeug nicht. Verwenden Sie für Ihre Arbeit das dafür bestimmte Elektrowerkzeug.** Mit dem passenden Elektrowerkzeug arbeiten Sie besser und sicherer im angegebenen Leistungsbereich.
- b) **Benutzen Sie kein Elektrowerkzeug, dessen Schalter defekt ist.** Ein Elektrowerkzeug, das sich nicht mehr ein- oder ausschalten lässt, ist gefährlich und muss repariert werden.
- c) **Ziehen Sie den Stecker aus der Steckdose und/oder entfernen Sie einen abnehmbaren Akku, bevor Sie Geräteeinstellungen vornehmen, Einsatzwerkzeugteile wechseln oder das Elektrowerkzeug weglegen.** Diese Vorsichtsmaßnahme verhindert den unbeabsichtigten Start des Elektrowerkzeugs.
- d) **Bewahren Sie unbenutzte Elektrowerkzeuge außerhalb der Reichweite von Kindern auf. Lassen Sie keine Personen das Elektrowerkzeug benutzen, die mit diesem nicht vertraut sind oder diese Anweisungen nicht gelesen haben.** Elektrowerkzeuge sind gefährlich, wenn sie von unerfahrenen Personen benutzt werden.
- e) **Pflegen Sie Elektrowerkzeuge und Einsatzwerkzeug mit Sorgfalt. Kontrollieren Sie, ob bewegliche Teile einwandfrei funktionieren und nicht klemmen, ob Teile gebrochen oder so beschädigt sind, dass die Funktion des Elektrowerkzeugs beeinträchtigt ist. Lassen Sie beschädigte Teile vor dem Einsatz des Elektrowerkzeuges reparieren.** Viele Unfälle haben ihre Ursache in schlecht gewarteten Elektrowerkzeugen.
- f) **Halten Sie Schneidwerkzeuge scharf und sauber.** Sorgfältig gepflegte Schneidwerkzeuge mit scharfen Schneidkanten verklemmen sich weniger und sind leichter zu führen.
- g) **Verwenden Sie Elektrowerkzeug, Zubehör, Einsatzwerkzeuge usw. entsprechend diesen Anweisungen. Berücksichtigen Sie dabei die Arbeitsbedingungen und die auszuführende Tätigkeit.** Der Gebrauch von Elektrowerkzeugen für andere als die vorgesehenen Anwendungen kann zu gefährlichen Situationen führen.
- h) **Halten Sie Griffe und Griffflächen trocken, sauber und frei von Öl und Fett.** Rutschige Griffe und Griffflächen erlauben keine sichere Bedienung und Kontrolle des Elektrowerkzeugs in unvorhergesehenen Situationen.
- 5) **Verwendung und Behandlung des Akkuwerkzeugs**
- a) **Laden Sie die Akkus nur mit Ladegeräten auf, die vom Hersteller empfohlen werden.** Durch ein Ladegerät, das für eine bestimmte Art von Akkus geeignet ist, besteht Brandgefahr, wenn es mit anderen Akkus verwendet wird.
- b) **Verwenden Sie nur die dafür vorgesehenen Akkus in den Elektrowerkzeugen.** Der Gebrauch von anderen Akkus kann zu Verletzungen und Brandgefahr führen.
- c) **Halten Sie den nicht benutzten Akku fern von Büroklammern, Münzen, Schlüsseln, Nägeln, Schrauben oder anderen kleinen Metallgegenständen, die eine Überbrückung der Kontakte verursachen könnten.** Ein Kurzschluss zwischen den Akkukontakten kann Verbrennungen oder Feuer zur Folge haben.
- d) **Bei falscher Anwendung kann Flüssigkeit aus dem Akku austreten. Vermeiden Sie den Kontakt damit. Bei zufälligem Kontakt mit Wasser abspülen. Wenn die Flüssigkeit in die Augen kommt, nehmen Sie zusätzlich ärztliche Hilfe in Anspruch.** Austretende Akkuflüssigkeit kann zu Hautreizungen oder Verbrennungen führen.
- e) **Benutzen Sie keinen beschädigten oder veränderten Akku.** Beschädigte oder veränderte Akkus können sich unvorhersehbar verhalten und zu Feuer, Explosion oder Verletzungsgefahr führen.
- f) **Setzen Sie einen Akku keinem Feuer oder zu hohen Temperaturen aus.** Feuer oder Temperaturen über 130 °C können eine Explosion hervorrufen.
- g) **Befolgen Sie alle Anweisungen zum Laden und laden Sie den Akku oder das Akkuwerkzeug niemals außerhalb des in der Betriebsanleitung angegebenen Temperaturbereichs.** Falsches Laden oder Laden außerhalb des zugelassenen Temperaturbereichs kann den Akku zerstören und die Brandgefahr erhöhen.
- 6) **Service**
- a) **Lassen Sie Ihr Elektrowerkzeug nur von qualifiziertem Fachpersonal und nur mit Original-**

Ersatzteilen reparieren. Damit wird sichergestellt, dass die Sicherheit des Elektrowerkzeugs erhalten bleibt.

- b) **Warten Sie niemals beschädigte Akkus.** Sämtliche Wartung von Akkus sollte nur durch den Hersteller oder bevollmächtigte Kundendienststellen erfolgen.

ZUSÄTZLICHE SICHERHEITSHINWEISE

- **Halten Sie das Werkzeug mit beiden Händen an den vorgesehenen Griffen fest.** Ein Kontrollverlust kann Personenschäden verursachen.
- **Sorgen Sie beim Mischen brennbarer Stoffe für ausreichende Belüftung, damit keine explosionsfähige Atmosphäre entstehen kann.** Entstehende Dämpfe können eingeatmet oder durch die von Elektrowerkzeugen erzeugten Funken entzündet werden.
- **Mischen Sie keine Lebensmittel.** Elektrowerkzeuge und ihr Zubehör sind nicht auf die Verarbeitung von Lebensmitteln ausgelegt.
- **Halten Sie das Kabel aus dem Arbeitsbereich fern.** Das Kabel kann vom Mischerkorb verwickelt werden.
- **Achten Sie darauf, dass der Mischbehälter stabil und sicher aufgestellt ist.** Ein Behälter, der nicht ordnungsgemäß gesichert ist, kann sich unerwartet bewegen.
- **Stellen Sie sicher, dass keine Flüssigkeit gegen das Gehäuse des Elektrowerkzeugs spritzt.** Flüssigkeit, die in das Elektrowerkzeug eindringt, kann Schaden verursachen und zu einem Stromschlag führen.
- **Befolgen Sie die Anweisungen und Warnhinweise für das zu mischende Material.** Das zu mischende Material kann schädlich sein.
- **Sollte das Elektrowerkzeug in das zu mischende Material fallen, ziehen Sie sofort den Stecker und lassen Sie das Elektrowerkzeug von einer qualifizierten Reparaturwerkstatt prüfen.** Nicht in den Behälter greifen, wenn der Werkzeugstecker noch eingesteckt ist – Stromschlaggefahr!
- **Während des Mischens nicht mit den Händen in den Mischbehälter greifen oder Gegenstände hineinstecken.** Der Kontakt mit dem Mischerkorb kann zu schweren Verletzungen führen.
- **Das Starten und Auslaufen lassen des Werkzeugs darf nur im Mischbehälter erfolgen.** Der Mischerkorb kann sich verbiegen oder auf unkontrollierte Weise drehen.

SICHERHEITSHINWEISE FÜR AKKU

- a) **Öffnen Sie den Akku nicht.** Es besteht die Gefahr eines Kurzschlusses.
- b) **Schützen Sie den Akku vor Hitze, z. B. auch vor dauernder Sonneneinstrahlung, Feuer, Wasser und Feuchtigkeit.** Es besteht Explosionsgefahr.
- c) **Bei Beschädigung und unsachgemäßem Gebrauch des Akkus können Dämpfe austreten. Führen Sie Frischluft zu und suchen Sie bei Beschwerden einen Arzt auf.** Die Dämpfe können die Atemwege reizen.
- d) **Verwenden Sie den Akku nur in Verbindung mit Ihrem Vonroc Produkt.** Nur so wird der Akku vor gefährlicher Überlastung geschützt.
- e) **Durch spitze Gegenstände wie z. B. Nagel oder Schrau benzieher oder durch äußere Kräfteinwirkung kann der Akku beschädigt werden.** Es kann zu einem internen Kurzschluss kommen und der Akku brennen, rauchen, explodieren oder überhitzen.

SICHERHEITSHINWEISE FÜR DAS LADEGERÄT

Verwendungszweck

Nur für das Laden von wiederaufladbaren Li-Ionen-Akkus des Typs CD801AA und CD803AA geeignet. Andere Arten von Akkus können platzen und zu Verletzungen und Schäden führen.

- a) **Das Gerät darf nicht von Personen (einschließlich Kindern) mit eingeschränkten körperlichen, sensorischen bzw. geistigen Fähigkeiten, mangelnder Erfahrung bzw. fehlendem Wissen verwendet werden, wenn diese nicht beaufsichtigt werden oder eine Einweisung erhalten haben.**
- b) **Kinder sollten beaufsichtigt werden, um sicherzustellen, dass sie nicht mit dem Gerät spielen.**
- c) **Nicht wiederaufladbare Batterien dürfen nicht aufgeladen werden!**
- d) **Während des Ladens müssen sich die Akkus in einem gut belüfteten Raum befinden!**

Sicherheit bei Elektrizität



Achten Sie stets darauf, dass die Spannung der Stromversorgung mit der Spannung auf dem Typenschild übereinstimmt.

- Verwenden Sie die Maschine nicht, wenn das Netzkabel oder der Netzstecker beschädigt ist.
- Verwenden Sie nur Verlängerungskabel, die für die Leistungsaufnahme der Maschine geeignet sind und eine Mindestaderstärke von 1,5 mm² haben. Falls Sie eine Kabeltrommel verwenden, rollen Sie das Kabel immer vollständig ab.

2. ANGABEN ZUM WERKZEUG

Verwendungszweck

Die Maschine ist darauf ausgelegt, pulverisierte Baustoffe, wie Mörtel, Putz, Klebstoffe sowie lösungsmittelfreie Farbe, Lack und ähnliche Substanzen zu mischen. Eine unsachgemäße Verwendung kann das Werkzeug beschädigen.

TECHNISCHE DATEN



Dieses Handbuch wurde für unterschiedliche Sets / Artikelnummern erstellt. Achten Sie in der Spezifikationstabelle mit den korrekten Zusammenstellungen und Inhalten für Ihr Set auf Ihre jeweilige Artikelnummer.

Modellnummer	Batterien enthalten	Ladegerät enthalten
PM506DC	-	-
S_PM506DC	CD801AA	CD802AA
S2_PM506DC	2 x CD801AA	CD802AA
S3_PM506DC	CD803AA	CD802AA

Angaben zum Werkzeug	
Spannung	20V
Leerlaufgeschwindigkeit	0-650/min
Werkzeugaufnahme	M14
Rührer	Ø 120mm
Gewicht	3.6 kg
Schalldruckpegel L_{PA}	77.1 dB(A)
Schalleistungspegel L_{WA}	88.1 dB(A)
Vibrationen	
Linker Griff	3.081 m/s ² , K= 1.5 m/s ²
Rechter Griff	4.314 m/s ² , K= 1.5 m/s ²

Modellnummer	CD801AA
Akkutyp	Lithium-Ion
Spannung	20V
Kapazität	2,0 Ah
Empfohlene Ladegeräte	CD802AA
Gewicht	0,3 kg

Modellnummer	CD802AA
Ladegerät Eingang	220-240V, 50Hz 0,4A
Ladegerät Ausgang	21V 2,5A
Ladezeit 2Ah Akku	60 Minuten
Ladezeit 4Ah Akku	120 Minuten
Empfohlene Akkus	CD801AA, CD803AA
Gewicht	0,36 kg

Modellnummer	CD803AA
Akkutyp	Lithium-Ion
Spannung	20V
Kapazität	4,0 Ah
Empfohlene Ladegeräte	CD802AA
Gewicht	0,65 kg

Verwenden Sie nur folgende Akkus der VONROC VPOWER 20V-Akku-Plattform. Die Verwendung anderer Akkus kann zu schweren Verletzungen oder einer Beschädigung des Werkzeugs führen.

CD801AA 20V, 2Ah Lithium-Ion
CD803AA 20V, 4Ah Lithium-Ion

Folgendes Ladegerät ist zum Aufladen dieser Akkus vorgesehen.

CD802AA Schnellladegerät

Die Akkus der VONROC VPOWER 20V-Akku-Plattform sind unter allen Werkzeugen der VONROC VPOWER 20V-Akku-Plattform austauschbar.

Vibrationsintensität

Die in dieser Bedienungsanleitung angegebene Vibrationsintensität wurde mit einem standardisierten Test gemäß EN60745 gemessen. Anhand dieser Größe können Werkzeuge miteinander verglichen werden. Außerdem eignet sich diese Größe für eine erste Beurteilung der Vibrationsbelastung bei Verwendung des Werkzeugs für die angegebenen Anwendungszwecke.

- Bei Verwendung des Werkzeugs für andere Anwendungen oder mit anderem oder unzureichend gewartetem Zubehör kann sich die Vibrationsbelastung erheblich erhöhen.
- Wenn das Werkzeug ausgeschaltet ist, oder wenn es eingeschaltet ist, jedoch nicht genutzt wird, kann sich die Vibrationsbelastung erheblich verringern.

Schützen Sie sich vor den Auswirkungen der Vibration durch Wartung des Werkzeugs und des Zubehörs, halten Sie Ihre Hände warm, und organisieren Sie Ihren Arbeitsablauf.

BESCHREIBUNG

Die Buchstaben und Ziffern im folgenden Text verweisen auf die Abbildungen auf den Seiten 2 bis 3.

1. Batteriehalter
2. Griff
3. Lüftungsöffnungen
4. Werkzeughalterung
5. Rührerwelle
6. Rührstange
7. Ein-/Ausschalter
8. Lock-Off-Taste
9. Geschwindigkeitseinstellrad
10. Schraubenschlüssel
11. Akku
12. Akku-Freigabetaste
13. Akku LED-Anzeigen-Taste
14. LED-Anzeige Akku
15. Ladegerät
16. LED-Anzeige Ladegerät

3. MONTAGE



Nehmen Sie vor allen Arbeiten am Elektrowerkzeug den Akku heraus.



Vor der ersten Verwendung muss der Akku aufgeladen werden.

Einsetzen des Akkus in das Werkzeug (Abb. D)



Überprüfen Sie, ob die Außenflächen des Akkus sauber und trocken sind, bevor Sie den Akku an das Ladegerät anschließen oder in das Werkzeug einsetzen.

1. Setzen Sie den Akku (11) in das Gerät ein, wie in Abb. D dargestellt.
2. Drücken Sie den Akku soweit nach vorn, bis der Akku hörbar einrastet.

Entnehmen des Akkus aus dem Werkzeug (Abb. D)

1. Drücken Sie die Akku-Freigabetast (12).
2. Ziehen Sie den Akku aus dem Werkzeug, wie in Abb. D dargestellt.

Überprüfen des Akkuladestands (Abb. E)

- Drücken Sie zum Überprüfen des Ladezustands kurz die Taste (13) auf dem Akku.
- Der Akku ist mit 3 Leuchten zur Anzeige des Ladezustands ausgestattet. Je mehr davon leuchten, desto höher der Ladezustand.
- Wenn keine der Leuchten an ist, bedeutet das, dass der Akku leer ist und sofort aufgeladen werden muss.

Laden des Akkus über das Ladegerät (Abb. E)

1. Entnehmen Sie den Akku (11) aus dem Werkzeug.
2. Drehen Sie den Akku (11) mit der Unterseite nach oben, und schieben Sie ihn in das Ladegerät (15), wie in Abb. E dargestellt.
3. Drücken Sie den Akku vollständig in die Aufnahme.
4. Stecken Sie den Netzstecker des Ladegeräts in eine Steckdose, und warten Sie einen Moment. Die LED-Anzeigen am Ladegerät (14) leuchten zur Anzeige des Ladezustands auf.

Das Ladegerät verfügt über 2 LED-Anzeige (16), die den Ladevorgang anzeigt:

Rote LED	Grüne LED	Status Ladegerät
Aus	Aus	Keine Stromversorgung
Aus	An	Standby-Modus: - Kein Akku eingelegt oder, - Akku eingelegt, aber Ladevorgang seit abgeschlossen
An	Aus	Akku wird geladen

- Das vollständige Laden des 2Ah-Akkus kann bis zu 60 Minuten dauern.
- Das vollständige Laden des 4Ah-Akkus kann bis zu 120 Minuten dauern.

Ziehen Sie nach dem vollständigen Laden des Akkus den Stecker des Ladegeräts aus der Netzsteckdose, und entnehmen Sie den Akku aus dem Ladegerät.



Wenn das Werkzeug für einen längeren Zeitraum nicht verwendet wird, sollte das Werkzeug möglichst mit einem voll aufgeladenen Akku aufbewahrt werden.

Zusammenbau des zweiteiligen Rührers (Abb. A)

1. Schrauben Sie die Rührerwelle (5) auf die Rührstange (6).
2. Ziehen Sie beide Teile sicher fest.

Austausch des Rührers (Abb. C)

Immer den Akku entfernen, bevor ein Zubehorteil angebracht wird.

Verwenden Sie nur Rührer, die dem angegebenen Durchmesser entsprechen. Verwenden Sie immer einen Rührer, der sich für das zu mischende/ rührende Material eignet. Die Verwendung eines ungeeigneten Mixstabs kann sowohl die Maschine als auch Sie selbst unnötig überlasten.

Montage des Rührers

1. Schrauben Sie den zusammengebauten Rührer im Uhrzeigersinn soweit wie möglich in den Werkzeughalter (4).
2. Ziehen Sie den Rührer mit dem mitgelieferten Schraubenschlüssel in der Werkzeughalterung fest (10). Halten Sie dabei die Werkzeughalterung (4) mit einem der mitgelieferten Schraubenschlüssel und verwenden Sie den zweiten Schraubenschlüssel, um den zusammengebauten Rührer festzuziehen.

Entfernen des Rührers

1. Lösen Sie den zusammengebauten Rührer mit den mitgelieferten Schraubenschlüsseln (10). Halten Sie dabei die Werkzeughalterung (4) mit einem der mitgelieferten Schraubenschlüssel und verwenden Sie den zweiten Schraubenschlüssel (10), um den zusammengebauten Rührer zu lösen.
2. Schrauben Sie den Rührer ientgegen den Uhrzeigersinn von der Werkzeughalterung (4) ab.

4. BETRIEB**Ein-/Ausschalter (Abb. B)**

Das Werkzeug wird mit dem EIN/AUS-Schalter (7) ein- bzw. ausgeschaltet. Mit diesem Schalter wird außerdem die Geschwindigkeit abgeglichen.

- Um die Maschine zu starten, halten Sie die Lock-Off-Taste (8) gedrückt und drücken den Ein-/Ausschalter (7).
- Um die Maschine anzuhalten, lassen Sie den Ein-/Ausschalter (7) los.

Geschwindigkeitseinstellung (Abb. B)

Die gewünschte Geschwindigkeit ist durch den Geschwindigkeitseinstellknopf (9) einstellbar. Die Geschwindigkeit kann auch während des Betriebs eingestellt werden.

- Um die Geschwindigkeit zu erhöhen, drehen Sie den Geschwindigkeitseinstellknopf (9) im Uhrzeigersinn.
- Um die Geschwindigkeit zu verringern, drehen Sie den Geschwindigkeitseinstellknopf (9) gegen den Uhrzeigersinn.

Die erforderliche Geschwindigkeit hängt vom Material ab und kann durch praktische Tests ermittelt werden.

Optimale Verwendung

- Für Materialien mit geringer Viskosität, z. B. Dispersionsfarbe, Lack, Kleber, Vergussmasse und Zementschlamm wird ein Rührwerk mit einer sogenannten Spirale mit Linksbedienung für optimale Verwendung empfohlen. Mit einer Spirale mit Linksbedienung wird das Material von oben nach unten bewegt und das Rührwerk wird nach oben gedrückt. Materialien mit geringer Viskosität werden so gemischt, dass Spritzer minimiert werden. Somit wird eine niedrige Geschwindigkeit empfohlen.
- Für Materialien mit hoher Viskosität, z. B. Putz, Beton, Zement, Estrich, Füllmasse und Teerepoxidharz wird ein Rührwerk mit einer sogenannten Spirale mit Rechtsbedienung für optimale Verwendung empfohlen. Mit einer Spirale mit Rechtsbedienung wird das Material von unten nach oben bewegt und das Rührwerk wird nach unten gezogen (und bahnt sich ihren Weg in das Gemisch). Materialien mit hoher Viskosität werden sorgfältig gemischt, sodass eine hohe Geschwindigkeit empfohlen wird.
- Bewegen Sie das Elektrowerkzeug für optimale Ergebnisse während des Mischens auf und ab.
- Es wird empfohlen, den Rührer nach dem Gebrauch zu reinigen, zum Beispiel durch Rühren in einem mit Wasser gefüllten Eimer.

5. WARTUNG

Schalten Sie das Werkzeug immer aus, und entnehmen Sie den Akku aus dem Gerät, bevor Sie Reinigungs- oder Wartungsarbeiten am Werkzeug vornehmen.

Reinigen Sie das Werkzeuggehäuse regelmäßig mit einem weichen Lappen, vorzugsweise nach jeder Verwendung. Stellen Sie sicher, dass die Lüftungsöffnungen (3) frei von Staub und Schmutz sind. Entfernen Sie anhaftenden Schmutz mit einem weichen Lappen, der leicht mit Seifenwasser befeuchtet wurde. Verwenden Sie keine Lösungsmittel wie Benzin, Alkohol, Ammoniak usw., da Chemikalien dieser Art die Kunststoffteile beschädigen.

Garantien der Marktgängigkeit oder Eignung für einen bestimmten Zweck. In keinem Fall ist VONROC haftbar für Neben- oder Folgeschäden. Die Rechtsmittel des Händlers beschränken sich auf Reparatur oder Ersatz fehlerhafter Einheiten oder Teile.

Am Produkt und am Benutzerhandbuch können Änderungen vorgenommen werden. Die technischen Daten können sich ohne Vorankündigung ändern.

UMWELTSCHUTZ



Schadhafte und/oder zu entsorgende elektrische oder elektronische Werkzeuge und Geräte müssen an den dafür vorgesehenen Recycling-Stellen abgegeben werden.

Nur für EG-Länder

Entsorgen Sie Elektrowerkzeuge nicht über den Hausmüll. Entsprechend der EU-Richtlinie 2012/19/EG über Elektro- und Elektronik-Altgeräte sowie der Umsetzung in nationales Recht müssen Elektrowerkzeuge, die nicht mehr im Gebrauch sind, getrennt gesammelt und umweltschonend entsorgt werden.

GARANTIE

VONROC-Produkte werden nach den höchsten Qualitätsstandards entwickelt und sind für den gesetzlich festgelegten Zeitraum, ausgehend von dem ursprünglichen Kaufdatum, garantiert frei von Fehlern in Material und Ausführung. Sollte das Produkt in diesem Zeitraum aufgrund von Material- und/oder Verarbeitungsmängeln Fehler aufweisen, wenden Sie sich bitte direkt an VONROC Kundendienst.

Folgende Umstände sind von der Garantie ausgeschlossen:

- Reparaturen und oder Änderungen an der Maschine, die durch nicht-autorisierte Servicestellen vorgenommen oder versucht wurden.
- Normale Abnutzung und Verschleiß.
- Das Werkzeug wurde übermäßig beansprucht, missbräuchlich verwendet oder falsch gewartet.
- Es wurden keine Original-Ersatzteile verwendet.

Dies stellt die einzige Gewährleistung des Unternehmens dar, sowohl ausdrücklich als auch implizit. Es gibt keine anderen ausdrücklichen oder stillschweigenden Garantien, die über das hier Genannte hinausgehen, einschließlich der stillschweigenden

1. VEILIGHEIDSVOORSCHRIFTEN

Lees de bijgesloten veiligheidswaarschuwingen, de aanvullende veiligheidswaarschuwingen en de instructies. Het niet opvolgen van de veiligheidswaarschuwingen kan elektrische schokken, brand en/of ernstig letsel tot gevolg hebben. Bewaar de veiligheidswaarschuwingen en instructies als naslagwerk voor later.

De volgende symbolen worden gebruikt in de gebruikershandleiding of op het product:



Lees de gebruikershandleiding.



Gevaar voor lichamelijk letsel, overlijden of schade aan de machine wanneer de instructies in deze handleiding niet worden opgevolgd.



Variabele elektronische snelheid.



Draag oog- en gehoorbescherming.



Draag een stofmasker.



Miniatuurzekering met vertragingstijd.



Max temperatuur 45 °C.



Accu niet verbranden.



Accu niet in het water gooien.



Aparte inzameling van Li-ion-accu's.



Het product is in overeenstemming met de van toepassing zijnde veiligheidsnormen in de Europese richtlijnen.

ALGEMENE VEILIGHEIDSVOORSCHRIFTEN



WAARSCHUWING! Lees alle veiligheids-
waarschuwingen en alle instructies. Het
niet opvolgen van onderstaande instructies
kan leiden tot een elektrische schok, brand
en/of ernstig persoonlijk letsel.

Bewaar deze instructies.

De term "elektrisch gereedschap" in onderstaande waarschuwingen heeft betrekking op zowel apparatuur met een vaste elektriciteitskabel als op apparatuur met een accu (draadloze apparatuur).

1) Werkgebied

- a) **Zorg voor een opgeruimde en goed verlichte werkomgeving.** Rommelige en donkere werkomgevingen leiden tot ongelukken
- b) **Gebruik elektrisch gereedschap nooit in een omgeving waar explosiegevaar bestaat, zoals in de nabijheid van ontvlambare vloeistoffen, gassen, dampen of andere stoffen.** Elektrische gereedschappen kunnen vonken veroorzaken, die deze stoffen tot ontbranding kunnen brengen.
- c) **Wanneer u elektrisch gereedschap gebruikt, houd dan kinderen en omstanders op afstand.** Wanneer u wordt afgeleid, kunt u de controle over het gereedschap verliezen.

2) Elektrische veiligheid

- a) **Stekkers van elektrische gereedschappen moeten probleemloos passen op het stopcontact. Breng nooit wijzigingen aan in of aan de stekker. Gebruik geen adapters voor geaarde elektrische gereedschappen.** Standaardstekkers en passende stopcontacten verkleinen de kans op een elektrische schok.
- b) **Voorkom lichamelijk contact met geaarde oppervlakken van bijvoorbeeld pijpen, leidingen, radiatoren, fornuizen en koelkasten.** Wanneer uw lichaam geaard is, wordt de kans op een elektrische schok groter.
- c) **Stel elektrische gereedschappen nooit bloot aan regen of vocht.** Wanneer er water binnendringt in een elektrisch gereedschap, wordt de kans op een elektrische schok groter.
- d) **Gebruik het snoer niet om het elektrisch gereedschap te dragen, te verplaatsen of de stekker uit het stopcontact te trekken. Bescherm het snoer tegen olie, warmte, scherpe randen en bewegende delen.** Beschadigde of vastzittende snoeren vergroten de kans op een elektrische schok.
- e) **Wanneer u elektrische gereedschappen buiten gebruikt, gebruik dan een verlengkabel die geschikt is voor buitengebruik.** Door een kabel te gebruiken die geschikt is voor buitengebruik, wordt de kans op een elektrische schok kleiner.
- f) **Gebruik een aardlekbeveiliging (RCD) als niet te voorkomen is dat een power tool moet worden gebruikt in een vochtige omgeving.** Gebruik van een RCD vermindert het risico van elektrische schokken.

- 3) Persoonlijke veiligheid**
- a) **Blijf altijd alert, kijk goed wat u doet en gebruik uw gezonde verstand wanneer u een elektrisch gereedschap gebruikt. Gebruik geen elektrische gereedschappen wanneer u moe bent, of drugs, alcohol of medicijnen hebt gebruikt.** Eén moment van onachtzaamheid bij het gebruik van elektrische gereedschappen kan ernstige verwondingen tot gevolg hebben.
 - b) **Gebruik persoonlijke beschermingsmiddelen. Draag altijd een veiligheidsbril.** Een gepast gebruik van veiligheidsvoorzieningen, zoals een stof masker, speciale werkschoenen met antislipzolen, een veiligheidshelm en gehoorbescherming verkleinen de kans op persoonlijk letsel.
 - c) **Voorkom dat het gereedschap per ongeluk wordt gestart. Zorg dat de schakelaar op de UITpositie staat, voordat u de stekker in het stopcontact steekt.** Draag elektrisch gereedschap nooit met uw vinger op de schakelaar en steek ook nooit de stekker van ingeschakelde elektrische gereedschappen in het stopcontact: dit leidt tot ongelukken.
 - d) **Verwijder alle instel en andere sleutels uit het elektrisch gereedschap voordat u hem inschakelt.** Instel en andere sleutels aan een ronddraaiend onderdeel van het elektrisch gereedschap kunnen tot verwondingen leiden.
 - e) **Zorg dat u nooit uw evenwicht kunt verliezen; houd altijd twee voeten stevig op de vloer.** Hierdoor kunt u het elektrisch gereedschap in onverwachte situaties beter onder controle houden.
 - f) **Zorg dat u geschikte kleding draagt. Draag geen loshangende kleding of sieraden. Houd uw haar, kleding en handschoenen uit de buurt van bewegende delen.** Loshangende kleding, sieraden en lang haar kunnen vast komen te zitten in bewegende delen.
 - g) **Wanneer er voorzieningen zijn voor de aansluiting van stofafzuiginstallaties, zorg dan dat ze op de juiste wijze worden aangesloten en gebruikt.** Gebruik van deze voorzieningen vermindert de gevaren die door stof worden veroorzaakt.
 - h) **Denk niet dat doordat u gereedschap vaak gebruikt, u wel weet hoe het allemaal werkt en dat u de veiligheidsbeginselen voor het gebruik van het gereedschap wel kunt negeren.** Een onbezonnen actie kan in een fractie van een seconde ernstig letsel tot gevolg hebben.
- 4) Gebruik en onderhoud van elektrisch gereedschap**
- a) **Oefen geen overmatige kracht uit op elektrisch gereedschap. Gebruik het juiste gereedschap voor uw specifieke toepassing.** Met het juiste elektrische gereedschap voert u de taak beter en veiliger uit wanneer dit op de snelheid gebeurt waarvoor het apparaat is ontworpen.
 - b) **Gebruik nooit elektrisch gereedschap waarvan de AAN/UITschakelaar niet werkt.** Ieder elektrisch gereedschap dat niet kan worden in en uitgeschakeld met de schakelaar is gevaarlijk en moet worden gerepareerd.
 - c) **Trek de stekker uit het stopcontact voordat u wijzigingen aanbrengt aan elektrische gereedschappen, accessoires verwisselt of het elektrisch gereedschap opbergt.** Wanneer u zich aan deze preventieve veiligheidsmaatregelen houdt, beperkt u het risico dat het gereedschap per ongeluk wordt gestart.
 - d) **Berg elektrisch gereedschap dat niet in gebruik is op buiten bereik van kinderen en laat personen die niet bekend zijn met het gereedschap of deze instructies het apparaat niet gebruiken.** Elektrisch gereedschap is gevaarlijk in de handen van ongeoeffende gebruikers.
 - e) **Zorg voor een goed onderhoud van elektrisch gereedschap. Controleer of bewegende delen op de juiste wijze zijn vastgezet. Controleer ook of er geen onderdelen defect zijn of dat er andere omstandigheden zijn die van invloed kunnen zijn op de werking van het gereedschap. Laat het gereedschap bij beschadigingen repareren vóór gebruik.** Veel ongelukken worden veroorzaakt door slecht onderhoud van het gereedschap.
 - f) **Zorg dat snij en zaagwerktuigen scherp en schoon blijven.** Goed onderhouden snij en zaagwerktuigen met scherpe randen zullen minder snel vastlopen en zijn eenvoudiger onder controle te houden.
 - g) **Gebruik alle elektrische gereedschappen, accessoires, bitjes etc., zoals aangegeven in deze instructies en op de wijze waarvoor het gereedschap is ontworpen. Houd daarbij rekening met de werkomstandigheden en de uit te voeren taak.** Gebruik van elektrisch gereedschap voor handelingen die afwijken van de taken waarvoor het apparaat is ontworpen kunnen leiden tot gevaarlijke situaties.
 - h) **Houd handgrepen en greepoppervlakken droog, schoon en vrij van olie en vet.** Gladde

handgrepen en greepoppervlakken maken veilig werken en controle over het gereedschap in onverwachte situaties onmogelijk.

5) Gebruik en onderhoud accugereedschap

- a) **Laad alleen op met de lader die door de fabrikant is gespecificeerd.** Een lader die voor een bepaalde accu geschikt is, kan brand veroorzaken wanneer deze met een andere accu wordt gebruikt.
 - b) **Gebruik elektrisch gereedschap alleen met de speciaal hiervoor bedoelde accu's.** Gebruik van andere accu's kan kans op letsel en brand geven.
 - c) **Wanneer de accu niet in gebruik is, houd deze dan uit de buurt van andere metalen voorwerpen zoals paperclips, munten, sleutels, spijkers, schroeven of andere kleine metalen voorwerpen die een verbinding tussen twee polen kunnen maken.** Kortsluiting tussen de accupolen kan brandwonden of brand veroorzaken.
 - d) **Wanneer de accu niet juist wordt gebruikt, kan er vloeistof uit lopen; raak dit niet aan. Wanneer dit per ongeluk wel gebeurt, spoel dan met water. Wanneer de vloeistof in de ogen komt, moet u een arts raadplegen.** De vloeistof uit de accu kan irritaties of brandwonden veroorzaken.
 - e) **Gebruiken niet een accu of gereedschap dat beschadigd is of gemodificeerd.** Beschadigde of gemodificeerde accu's kunnen onvoorspelbaar gedrag vertonen, wat brand, explosie of een risico van letsel met zich meebrengt.
 - f) **Stel een accu over het gereedschap niet bloot aan open vuur of een uitzonderlijk hoge temperatuur.** Blootstelling aan vuur of een temperatuur hoger dan 130 °C, kan een explosie veroorzaken. NB De temperatuur van "130 °C" kan worden vervangen door de temperatuur van "265 °F".
 - g) **Houd u aan alle instructies voor het laden en laad de accu of het gereedschap niet op buiten het temperatuurbereik dat in de instructies wordt aangeduid.** Op een onjuiste wijze laden of laden bij temperaturen buiten het aangeduide bereik kan de accu beschadigen en het risico van brand doen toenemen.
- 6) Service**
- a) **Laat uw gereedschap onderhouden door een gekwalificeerde onderhoudstechnicus die alleen gebruikmaakt van identieke vervangingsonderdelen.** Dit zorgt ervoor dat de veiligheid van de powertool intact blijft.

- b) **Voer nooit servicewerkzaamheden uit aan beschadigde accu's.** Alleen de fabrikant of geautoriseerde service-providers mogen servicewerkzaamheden aan accu's uitvoeren.

AANVULLENDE VEILIGHEIDSWAARSCHUWINGEN

- **Houd het gereedschap met beide handen vast aan de daarvoor bestemde handgrepen.** Verlies van controle kan persoonlijk letsel tot gevolg hebben.
- **Zorg voor voldoende ventilatie tijdens het mengen van brandbare materialen, om een gevaarlijke atmosfeer te vermijden.** Gevormde damp kan worden ingeademd of ontsteken door de vonken die het gereedschap produceert.
- **Geen voedsel mengen.** Elektrisch gereedschap en de bijbehorende accessoires zijn niet ontworpen voor de verwerking van voedsel.
- **Houd het snoer weg van het werkgebied.** Het snoer kan verstrengeld raken in de mengmand.
- **Zorg ervoor dat de mengcontainer op een stevige en veilige plaats wordt gezet.** Een container die niet stevig vast staat kan zich onverwacht verplaatsen.
- **Let erop dat er geen vloeistof tegen de behuizing van het elektrisch gereedschap kan spat-ten.** Vloeistof die in het elektrisch gereedschap is gedrongen kan schade veroorzaken en een elektrische schok veroorzaken.
- **Volg de aanwijzingen en waarschuwingen voor het materiaal dat gemengd moet worden.** Het te mengen materiaal kan schadelijk zijn.
- **Als het elektrisch gereedschap in het te mengen materiaal valt, moet u onmiddellijk de stekker uit het stopcontact trekken en het gereedschap laten nazien door een bevoegd servicemonteur.** In de emmer reiken met de stekker van het gereedschap in het stopcontact steekt, kan leiden tot een elektrische schok.
- **Reik niet met uw handen in de mengcontainer of steek er geen vreemde voorwerpen in tijdens het mengen.** Contact met de mengmand kan leiden tot ernstig persoonlijk letsel.
- **Start en stop het gereedschap alleen in de mengcontainer.** De mengmand kan op een niet gecontroleerde manier buigen of draaien.

VEILIGHEIDSVORSCHRIFTEN VOOR DE ACCU

- a) **Open de accu niet.** Er bestaat gevaar voor kortsluiting.
- b) **Bescherm de accu tegen hitte, bijvoorbeeld ook tegen voortdurend zonlicht, vuur, water en**

- vocht.** Er bestaat explosiegevaar.
- c) **Bij beschadiging en onjuist gebruik van de accu kunnen er dampen vrijkomen. Zorg voor frisse lucht en raadpleeg bij klachten een arts.** De dampen kunnen de lucht wegen irriteren.
- d) **Gebruik de accu alleen in combinatie met uw Vonroc product.** Alleen zo wordt de accu tegen gevaarlijke over belasting beschermd.
- e) **Door scherpe voorwerpen, zoals bijv. spijkers of schroevendraaiers of door krachtinwerking van buitenaf kan de accu beschadigd worden.** Het kan tot een interne kortsluiting leiden en de accu doen branden, roken, exploderen of oververhitten.

VEILIGHEIDSVOORSCHRIFTEN VOOR DE LADER
Bedoeld gebruik

Laad uitsluitend herlaadbare accupacks van het type CD801AA en CD803AA. Andere typen accu's kunnen exploderen, wat lichamelijk letsel en schade kan veroorzaken.

- a) **Het apparaat dient niet te worden gebruikt door personen (inclusief kinderen) met verminderde fysieke, zintuiglijke of mentale functies of personen zonder enige ervaring en kennis, tenzij zij onder toezicht staan of zijn geïnstrueerd.**
- b) **Laat kinderen onder toezicht niet met het apparaat spelen.**
- c) **Laad niet-herlaadbare accu's niet opnieuw op!**
- d) **Plaats de accu's tijdens het opladen in een goed geventileerde ruimte!**

Elektrische veiligheid



Controleer altijd of de spanning van de stroomtoevoer overeenkomt met de spanning op het typeplaatje.

- Gebruik de machine niet indien het netsnoer of de netstekker zijn beschadigd.
- Gebruik uitsluitend verlengkabels die geschikt zijn voor het vermogen van de machine met een minimale dikte van 1,5 mm². Indien u een verlengkabelhaspel gebruikt, rol dan altijd de kabel volledig uit.

2. TECHNISCHE INFORMATIE

Bedoeld gebruik

De machine is bedoeld voor het mengen van bouwmaterialen in poedervorm, zoals mortel, pleisterkalk, lijmmaterialen, en ook van oplosmiddelvrije verf en dergelijke stoffen. Onjuist gebruik kan het gereedschap beschadigen.

TECHNISCHE SPECIFICATIES




Deze gebruikshandleiding is opgesteld voor verschillende sets / artikelnummers. Controleer het bijbehorende artikelnummer in de onderstaande specificaties voor de juiste samenstelling en inhoud van uw set.

Model Nr.	Batterijen meegeleverd	Acculader meegeleverd
PM506DC	-	-
S_PM506DC	CD801AA	CD802AA
S2_PM506DC	2 x CD801AA	CD802AA
S3_PM506DC	CD803AA	CD802AA

Technische informatie	
Spanning	20V
Toerental onbelast	0-650/min
Houder voor menghulpstuk	M14
Menghulpstuk	Ø 120 mm
Gewicht	3,6 kg
Geluidsdruk L _{PA}	77,1 dB(A)
Geluidsvermogen L _{WA}	88,1 dB(A)
Vibratiewaarde	
Linker handgreep	3,081 m/s ² , K= 1,5 m/s ²
Rechter handgreep	4,314 m/s ² , K= 1,5 m/s ²

Model Nr.	CD801AA
Accu type	Lithium-Ion
Voltage	20V
Vermogen	2,0 Ah
Aanbevolen laadapparaat	CD802AA
Gewicht	0,3 kg

Model Nr.	CD802AA
Acculader ingang	220-240V, 50Hz 0,4A
Acculader uitgangsvermogen	21V 2,5A
Oplaadtijd 2Ah accu	60 minuten
Oplaadtijd 4Ah accu	120 minuten
Aanbevolen accu's	CD801AA, CD803AA
Gewicht	0,36 kg

Model Nr.	CD803AA
Accu type	Lithium-Ion
Voltage	20V 
Vermogen	4,0 Ah
Aanbevolen laadapparaat	CD802AA
Gewicht	0,65 kg

Gebruik uitsluitend de volgende accu's van het VONROC VPOWER 20V accu-platform. Gebruik van andere accu's kan leiden tot ernstig letsel of tot beschadiging van het gereedschap.

CD801AA 20V, 2Ah Lithium-Ion

CD803AA 20V, 4Ah Lithium-Ion

De volgende lader kan worden gebruikt voor het opladen van deze accu's.

CD802AA Snellader

De accu's van het VONROC VPOWER 20V accu-platform kunnen worden gewisseld tussen alle gereedschappen van het VONROC VPOWER 20V accu-platform.

Trillingsniveau

Het trillingsemissieniveau, dat in deze gebruiksaanwijzing wordt vermeld, is gemeten in overeenstemming met een gestandaardiseerde test volgens EN 60745; deze mag worden gebruikt om twee machines met elkaar te vergelijken en als voorlopige beoordeling van de blootstelling aan trilling bij gebruik van de machine voor de vermelde toepassingen.

- Het gebruik van de machine voor andere toepassingen, of met andere of slecht onderhouden accessoires, kan het blootstellingsniveau aanzienlijk verhogen.
- Wanneer de machine is uitgeschakeld of wanneer deze loopt maar geen werk verricht, kan dit het blootstellingsniveau aanzienlijk reduceren.

Bescherm uzelf tegen de gevolgen van trilling door de machine en de accessoires te onderhouden, uw handen warm te houden en uw werkwijze te organiseren.

BESCHRIJVING

De nummers in de tekst verwijzen naar de diagrammen op pagina 2-3.

1. Batterijhouder
2. Handgreep

3. Ventilatieopeningen
4. Gereedschapshouder
5. Stang van menggarde
6. Schoep van menggarde
7. Aan/Uit-schakelaar
8. Knop voor vergrendeling in de Uit-stand
9. Stelknop snelheid
10. Sleutel
11. Accu
12. Ontgrendelingsknop accu
13. Led-controlelampjes knop
14. Led-controlelampjes accu
15. Accu lader
16. Led-controlelampjes acculader

3. ASSEMBLAGE



Neem altijd voor werkzaamheden aan het elektrische gereedschap de accu uit het gereedschap.



De accu moet zijn opgeladen voordat deze voor het eerst wordt gebruikt.

De accu in de machine plaatsen (Afb. D)



Zorg ervoor dat het oppervlak van de accu schoon en droog is voordat u deze op de acculader of de machine aansluit.

1. Plaats de accu (11) in de onderkant van de machine, zoals is weergegeven in Fig. D.
2. Duw de accu verder naar voren tot deze vastklikt.

De accu van de machine verwijderen (Afb. D)

1. Duw op de ontgrendelingsknop van de accu (12).
2. Trek de accu uit de machine zoals afgebeeld in Fig. D.

De laadstatus van de accu controleren (Afb. E)

- Druk kort op de knop (13) op de accu om de laadstatus van de accu te controleren.
- Op de accu bevinden zich 3 lampjes die het laadniveau aangeven. Hoe meer lampjes branden, des te meer is de accu opgeladen.
- Wanneer de lampjes niet branden, wil dit zeggen dat de accu leeg is en onmiddellijk moet worden opgeladen.

De accu laden met de acculader (Afb. E)

1. Haal de accu (11) uit de machine.
2. Draai de accu (11) ondersteboven en schuif deze op de acculader (15), zoals is weergegeven in Afb. E.
3. Duw op de accu tot deze volledig in de sleuf zit.
4. Steek de stekker van de acculader in een stopcontact en wacht even. De Led-lampjes op de acculader (14) gaan branden en tonen de status van de lader.

De acculader heeft 2 led-controlelampjes (16) dat de status van het laadproces aangeeft:

Status rode LED	Status groene LED	Status van acculader
Uit	Uit	Geen stroom
Uit	Aan	Standby mode: - Geen accu geplaatst, of - Opladen van de accu is beëindigd, de accu is volledig opgeladen
Aan	Uit	Bezig met opladen van accu

- Het kan tot 60 minuten duren voordat de 2Ah accu volledig is opgeladen.
- Het kan tot 120 minuten duren voordat de 4Ah accu volledig is opgeladen.

Verwijder, als de accu volledig is opgeladen, de stekker van de acculader uit het stopcontact en haal de accu uit de acculader.



Wanneer deze machine gedurende een langere tijd niet wordt gebruikt, is het raadzaam de accu te bewaren in opgeladen toestand.

De tweedelige menggarde monteren (Fig. A)

1. Schroef de stang (5) aan de menggarde (6).
2. Zet beide delen stevig vast.

De menggarde vervangen (Fig. C)

Verwijder altijd eerst de accu voor u een accessoire monteert.

Gebruik alleen menggardes die de opgegeven diameter hebben. Gebruik altijd een menggarde die geschikt is voor het te mengen/roeren materiaal. Wanneer u een ongeschikte menggarde gebruikt, kan dat de machine maar ook u onnodig belasten.

De menggarde monteren

1. Schroef de menggarde die u in elkaar hebt gezet zo ver mogelijk naar rechts, in de gereedschapshouder (4).
2. Zet de menggarde met de meegeleverde steeksleutel vast in de gereedschapshouder (10). U kunt dat doen door de gereedschapshouder (4) vast te houden met één van de meegeleverde steeksleutels en de gemonteerde menggarde met de tweede steeksleutel vast te zetten.

De menggarde verwijderen

1. Maak de gemonteerde menggarde los met de meegeleverde steeksleutel (10). U kunt dat doen door de gereedschapshouder (4) vast te houden met één van de meegeleverde steeksleutels (10) en de gemonteerde menggarde met de tweede steeksleutel los te draaien.
2. Schroef de menggarde naar links los uit de gereedschapshouder (4).

4. BEDIENING**In- en uitschakelen (Fig. B)**

De Aan / Uit schakelaar (7) wordt gebruikt om de machine in te schakelen en de snelheid in te stellen.

- U kunt de machine starten door op de knop (8) voor vergrendeling de Uit-stand te drukken en ingedrukt te houden en op de Aan/Uit-schakelaar (7) te drukken.
- U kunt de machine uitschakelen door de Aan/Uit-schakelaar (7) los te laten.

Snelheid instellen (Fig. B)

De gewenste snelheid kan worden afgesteld met de snelheid-afstelknop (9). De snelheid kan ook tijdens gebruik worden aangepast.

- Verhoog de snelheid door de snelheidafstelknop (9) naar rechts te draaien.
- Verlaag de snelheid door de snelheidafstelknop (9) naar links te draaien.

De benodigde snelheid is afhankelijk van het materiaal en kan door middel van een zaagtst worden vastgesteld.

Optimaal gebruik

- Voor materialen met een lage viscositeit, bijv. emulsieverf, lakken, lijmen, gietbeton en vloeibare cement krijgt u een optimaal resultaat met een roergarde met een zogeheten linkse spiraal. Met een linkse spiraal wordt het materiaal van boven naar beneden verplaatst en wordt de roergarde omhoog geduwd. Materialen met een lage viscositeit worden zo gemengd dat spatten zoveel mogelijk worden voorkomen, dus u kunt het beste een lage snelheid gebruiken.
- Voor materialen met een hoge viscositeit, bijv. pleisterkalk, beton, cement, materiaal voor een dekvloer, vulmaterialen en epoxyhars krijgt u een optimaal resultaat met een roergarde met een zogeheten rechtse spiraal. Met een rechtse spiraal wordt het materiaal van beneden naar boven verplaatst en wordt de roergarde omlaag geduwd. (werkt zichzelf omlaag in het mengsel). Materialen met een hoge viscositeit worden grondig gemengd, dus u kunt het beste een hoge snelheid gebruiken.
- U krijgt het beste resultaat door het elektrisch gereedschap tijdens het mengen op en neer te bewegen.
- Aanbevolen wordt de menggarde na gebruik schoon te maken, bijvoorbeeld door de garde in een emmer water te laten draaien.

5. ONDERHOUD



Schakel, voordat u met de reiniging en het onderhoud begint, altijd de machine uit en haal het accupack uit de machine.

Reinig de machinebehuizing regelmatig met een zachte doek, bij voorkeur iedere keer na gebruik. Zorg dat de ventilatiesleuven (3) vrij van stof en vuil zijn. Gebruik bij hardnekkig vuil een zachte doek bevochtigd met zeepwater. Gebruik geen oplosmiddelen als benzine, alcohol, ammonia, etc. Dergelijke stoffen beschadigen de kunststof onderdelen.

MILIEU



Defecte en/of afgedankte elektrische of elektronische gereedschappen dienen ter verwerking te worden aangeboden aan een daarvoor verantwoordelijke instantie.

Uitsluitend voor EG-landen

Werp elektrisch gereedschap niet weg bij het huisvuil. Conform de Europese Richtlijn 2012/19/EG voor Afgedankte Elektrische en Elektronische Apparatuur en de implementatie ervan in nationaal recht moet niet langer te gebruiken elektrisch gereedschap gescheiden worden verzameld en op een milieuvriendelijke wijze worden verwerkt.

GARANTIE

VONROC producten zijn ontworpen volgens de hoogste kwaliteitsstandaarden en gegarandeerd vrij van defecten, zowel materieel als fabrieksfouten, tijdens de wettelijk vastgestelde garantieperiode vanaf de eerste aankoopdatum. Mocht het product tijdens deze periode gebreken vertonen veroorzaakt door defecte materialen en/of fabrieksfouten, neem dan rechtstreeks contact op met VONROC.

De volgende situaties vallen niet onder de garantie:

- Er zijn reparaties of aanpassingen aan de machine uitgevoerd, of er is een poging daartoe ondernomen, door een nietgeautoriseerd servicecentrum.
- Normale slijtage.
- De machine is misbruikt, verkeerd gebruikt of slecht onderhouden.
- Er zijn niet-originele reserveonderdelen gebruikt

Dit vormt de enige garantie opgesteld door het bedrijf zowel expliciet als impliciet. Er bestaan geen andere garanties expliciet of impliciet welke verder gaan dan deze garantie, inclusief impliciete garanties van verkoopbaarheid en geschiktheid voor bepaalde doeleinden. In geen enkel geval kan VONROC aansprakelijk worden gesteld voor incidentele schade of gevolgschade. Reparaties van dealers zijn gelimiteerd tot de reparatie of vervanging van defecte producten of onderdelen.

Het product en de gebruikershandleiding zijn onderhevig aan wijzigingen. Specificaties kunnen zonder opgaaf van redenen worden gewijzigd.

1. CONSIGNES DE SÉCURITÉ

En plus des avertissements de sécurité suivants, veuillez également lire les avertissements de sécurité additionnels ainsi que les instructions. Le non-respect des avertissements de sécurité et des instructions peut entraîner une décharge électrique, un incendie et/ou des blessures graves. Veuillez conserver les avertissements de sécurité et les instructions pour consultation ultérieure.

Les symboles suivants sont utilisés dans le manuel d'utilisation ou apposés sur le produit:



Lisez le manuel d'utilisation.



Signale un risque de blessures, un danger mortel ou un risque d'endommagement de l'outil en cas de non-respect des instructions de ce manuel.



Variateur électronique de vitesse.



Portez des lunettes de protection.
Portez une protection auditive.



Portez un masque anti-poussière.



Fusible miniature à fusion lente.



Température max. 45°C.



Ne jetez pas la batterie au feu.



Ne jetez pas la batterie dans de l'eau.



La batterie Li-ion fait l'objet d'une collecte séparée.



Le produit est conforme aux normes de sécurité applicables des directives européennes.

CONSIGNES GÉNÉRALES DE SÉCURITÉ



AVERTISSEMENT! Veuillez lire l'intégralité des avertissements de sécurité et des instructions. Le nonrespect de toutes les instructions indiquées cidessous peut entraîner un risque de choc électrique, d'incendie et/ou de blessures graves.

Conservez ces instructions.

Le terme "appareil électrique" mentionné dans tous les avertissements cidessous se rapporte à un appareil électrique qui se branche au réseau électrique (grâce à un câble d'alimentation) ou à un appareil électrique (sans fil) fonctionnant grâce à une batterie.

1) Espace de travail

- Veillez toujours à garder votre espace de travail propre et bien éclairé.** Les espaces mal rangés et sombres peuvent être la cause d'accidents.
- N'utilisez pas les appareils électriques dans des environnements susceptibles d'explosion, par exemple en présence de liquides inflammables, de gaz ou de particules.** Les appareils électriques provoquent des étincelles qui peuvent enflammer les particules des émanations.
- Veillez à garder éloignés les enfants et les personnes se trouvant dans votre voisinage, lors de l'utilisation d'un appareil électrique.** Les distractions peuvent vous faire perdre le contrôle de l'appareil.

2) Mesures de sécurité électriques

- Les prises des appareils électriques doivent être raccordées à la prise murale correspondante. Ne modifiez jamais la prise de l'appareil, de quelque façon que ce soit. N'utilisez pas d'adaptateurs qui mettent les appareils électriques à la terre (mise à la masse).** Des prises non modifiées et branchées à la prise murale correspondante réduiront les risques de choc électrique.
- Évitez le contact direct avec les surfaces mises à la terre ou mises à la masse comme les canalisations, les radiateurs, les cuisinières et les réfrigérateurs.** En effet, le risque de choc électrique s'accrut si votre corps est mis à la terre ou à la masse.
- N'utilisez pas d'outils électriques dans des environnements pluvieux ou humides.** Si de l'eau s'introduit dans un appareil électrique, le risque de choc électrique augmentera.
- N'utilisez pas le câble de manière abusive. N'utilisez jamais le câble pour transporter, tirer ou débrancher l'appareil électrique. Veillez à garder le câble éloigné des sources de chaleur, des huiles, des rebords coupants ou des pièces actionnées.** Les câbles endommagés ou entremêlés augmentent le risque de choc électrique.

- e) **Lorsque un appareil est utilisé à l'extérieur, utilisez uniquement un câble prolongateur prévu à cet effet.** L'utilisation d'un câble à usage extérieur réduit le risque de choc électrique.
- f) **Si vous êtes contraint d'utiliser un outil électrique dans un environnement humide, utilisez une alimentation protégée par un dispositif à courant résiduel (RCD).** L'utilisation d'un RCD réduit le risque de décharge électrique.
- 3) Sécurité personnelle**
- a) **Restez vigilant, gardez un œil sur ce que vous faites et utilisez votre sens commun lors de l'utilisation d'un appareil électrique. N'utilisez pas un appareil électrique si vous êtes fatigué ou si vous êtes sous l'influence de drogues, d'alcool ou si vous prenez des médicaments.** Un moment d'inattention lors de l'utilisation des appareils électriques peut entraîner des blessures graves.
- b) **Utilisez un équipement de protection personnelle. Protégez-vous toujours les yeux.** Les équipements de protection, tels qu'un masque à poussière, des chaussures antidérapantes, des protections auditives ou un casque de sécurité, utilisés dans de bonnes conditions, réduiront le risque de blessures.
- c) **Prévenez tout démarrage involontaire. Assurez-vous que l'interrupteur est sur la position "arrêt avant de brancher l'appareil.** En effet, le transport des appareils électriques en gardant vos doigts sur l'interrupteur, ou le branchement de ces appareils en ayant l'interrupteur sur "marche accidents.
- d) **Retirez les clés de réglage ou les clés de vis de réglage avant d'allumer l'appareil électrique.** Une clé de vis de réglage ou une clé, laissée sur une pièce en mouvement de l'appareil électrique, peut entraîner des lésions corporelles.
- e) **Ne pas se précipiter. Gardez toujours vos pieds à plat et gardez votre équilibre.** Ceci permet de mieux contrôler l'appareil électrique dans des situations imprévues.
- f) **Habillez-vous convenablement. Ne portez pas de vêtements lâches ou de bijoux. Gardez vos cheveux, vêtements et gants éloignés des pièces actionnées.** En effet, ces derniers peuvent être pris dans les pièces en action.
- g) **Si les appareils sont fournis pour la connexion des équipements d'évacuation et de récupération de la poussière, assurez-vous que ces derniers soient correctement connectés et utilisés.** L'utilisation de ces appareils peut réduire les risques liés à la poussière.
- h) **Ne pensez pas être familiarisé avec l'outil après l'avoir utilisé à de nombreuses reprises, au point de ne plus rester vigilant et d'en oublier les consignes de sécurité.** Toute action imprudente peut engendrer de graves blessures en une fraction de seconde.
- 4) Utilisation et entretien d'un appareil électrique**
- a) **Ne forcez pas l'appareil électrique. Utilisez l'appareil électrique adéquat pour votre application.** Un appareil électrique correctement choisi assurera un meilleur travail et un travail sans danger, au rythme auquel il a été conçu.
- b) **N'utilisez pas l'appareil électrique si l'interrupteur marche/arrêt ne fonctionne pas.** Un appareil électrique qui ne peut pas être commandé par l'interrupteur de contrôle est dangereux et doit être réparé.
- c) **Débranchez la prise du bloc d'alimentation avant d'effectuer des réglages, de changer des accessoires, ou de ranger les appareils électriques.** Ces mesures de sécurité préventives réduiront le risque de démarrage involontaire de l'appareil électrique.
- d) **Rangez les appareils électriques arrêtés hors de la portée des enfants et ne laissez aucune personne, non familiarisée avec l'outil ou ces instructions, utiliser l'appareil électrique.** Les appareils électriques sont dangereux entre les mains d'utilisateurs non formés.
- e) **Entretenez les appareils électriques. Vérifiez tout défaut d'alignement et l'enchaînement des pièces actionnées, la rupture de ces dernières, et les autres conditions qui peuvent affecter le fonctionnement des appareils électriques. En cas de dommages, faites réparer l'appareil électrique avant de le réutiliser.** Nombreux sont les accidents provoqués par des appareils électriques mal entretenus.
- f) **Veillez à garder les outils coupants aiguisés et propres.** Des outils coupants correctement entretenus avec des lames aiguisées sont moins susceptibles de se bloquer et sont plus faciles à contrôler.
- g) **Utilisez l'appareil électrique, les accessoires et les embouts, etc., conformément à ces instructions et de la manière prévue pour le type spécifique de l'appareil électrique, en prenant en compte les conditions de travail et**

le travail à effectuer. L'utilisation de l'appareil électrique dans des applications différentes de celles prévues peut entraîner des situations dangereuses.

- h) **Gardez les poignées et les surfaces de préhension sèches, propres et exemptes d'huile et de graisse.** Des poignées et des surfaces de préhension glissantes ne permettent pas de manipuler et de contrôler l'outil correctement en cas de situations inattendues.
- h) **Gardez les poignées et les surfaces de préhension sèches, propres et exemptes d'huile et de graisse.** Des poignées et des surfaces de préhension glissantes ne permettent pas de manipuler et de contrôler l'outil correctement en cas de situations inattendues.
- 5) Utiliser et soigner les outils à batterie**
- a) **Rechargez la batterie uniquement avec le chargeur spécifié par le fabricant.** Un chargeur adapté à une certaine batterie peut être cause de danger d'incendie quand on l'utilise avec une batterie différente.
- b) **Utilisez chaque outil uniquement avec la batterie conçue pour lui.** L'utilisation de toute autre batterie peut être cause de danger de blessure ou d'incendie.
- c) **Lorsque une batterie n'est pas en usage, gardez-la hors d'atteinte d'objets métalliques tels que les trombones, pièces de monnaie, clés, clous, vis et autres petits objets métalliques pouvant faire le contact entre une borne et l'autre.** Un court-circuit entre les bornes de la batterie peut être cause de brûlures ou d'incendie.
- d) **Dans des circonstances extrêmes, du liquide peut gicler hors de la batterie ; évitez tout contact. En cas de contact accidentel, rincez à l'eau. En cas de contact du liquide avec les yeux, consultez un médecin.** Le liquide qui giclé d'une batterie peut causer irritations ou brûlures.
- e) **N'utilisez pas un bloc-batterie ou un outil endommagé ou modifié.** Une batterie endommagée ou altérée peut avoir un comportement imprévisible qui peut conduire à un incendie, une explosion ou un risque de blessure.
- f) **N'exposez pas le bloc-batterie ou l'outil au feu ou à des températures excessives.** L'exposition au feu ou à des températures dépassant 130 °C peut provoquer une explosion. REMARQUE La température de "130°C" peut être remplacé par la température de "265°F".

- g) **Respectez les instructions pour la charge et ne rechargez pas le bloc-batterie ou l'outil à une plage de températures hors de celle spécifiée dans les instructions.** Une charge mal effectuée ou à des températures hors de la plage spécifiée peut endommager la batterie et augmente le risque d'incendie.

6) Maintenance

- a) **L'entretien de votre outil électrique doit être confié à un réparateur qualifié qui utilise uniquement des pièces de rechange identiques aux pièces d'origine.** Cela permet d'assurer la sécurité de l'outil électrique.
- b) **Ne réparez jamais des blocs-batteries endommagés.** Les réparations sur les blocs-batteries ne doivent être effectuées que par le fabricant ou l'un de ses prestataires de services agréés.

AVERTISSEMENTS DE SÉCURITÉ ADDITIONNELS

- **Tenez l'outil deux mains au niveau des prises prévues.** Toute perte de contrôle peut entraîner des blessures.
- **Quand vous mélangez des matières inflammables, veillez à disposer d'une aération suffisante pour éviter de créer une atmosphère dangereuse.** Les vapeurs émises peuvent être inhalées et elles peuvent s'enflammer à cause des étincelles générées par l'outil électrique.
- **Ne mélangez pas de nourriture.** Les outils électriques et leurs accessoires ne sont pas conçus pour le contact avec des aliments.
- **Éloignez le cordon électrique de la zone de travail.** Le cordon pourrait s'emmêler sur le panier du malaxeur.
- **Veillez à ce que le contenant utilisé pour le mélange repose fermement et de façon sûre au sol.** Un contenant peu stable peut bouger de façon inattendue.
- **Veillez à ce qu'aucun liquide n'éclabousse le corps de l'outil électrique.** Tout liquide qui pénètre dans l'outil électrique peut occasionner des dommages et une décharge électrique.
- **Respectez les consignes et les avertissements liés à la matière à mélanger.** La substance devant être mélangée peut être nocive.
- **Si l'outil électrique chute dans la matière à mélanger, débranchez-le immédiatement et faites contrôler l'outil électrique par un réparateur qualifié.** Toucher le seau alors que l'outil est toujours branché peut occasionner une décharge électrique.

- **Ne mettez ni vos mains, ni d'autres objets dans le contenant servant au mélange pendant le mélange.** Tout contact avec le panier du mélangeur peut occasionner de graves blessures.
- **Veillez à toujours mettre en marche et éteindre l'outil alors qu'il est dans le contenant.** Le panier du mélangeur peut se déformer ou se mettre à tourner de façon incontrôlée.

AVERTISSEMENTS DE SECURITE POUR L'ACCU

- Ne pas ouvrir l'accu.** Risque de court-circuit.
- Protéger l'accu de toute source de chaleur, comme p. ex. l'exposition directe au soleil, au feu, à l'eau et à l'humidité.** Il y a risque d'explosion.
- En cas d'endommagement et d'utilisation non conforme de l'accu, des vapeurs peuvent s'échapper. Ventiler le lieu de travail et, en cas de malaises, consulter un médecin.** Les vapeurs peuvent entraîner des irritations des voies respiratoires.
- N'utilisez l'accumulateur qu'avec votre produit Vonroc.** Ceci protège l'accumulateur contre une surcharge dangereuse.
- Les objets pointus comme un clou ou un tournevis et le fait d'exercer une force extérieure sur le boîtier risque d'endommager l'accu.** Il peut en résulter un court-circuit interne et l'accu risque de s'enflammer, de dégager des fumées, d'exploser ou de surchauffer.

AVERTISSEMENTS DE SECURITE POUR LE CHARGEUR

Utilisation prévue

Chargez uniquement à l'aide de la batterie Li-ion rechargeable CD801AA un CD803AA. Tout autre type de batterie est susceptible d'éclater et de provoquer des blessures et des dommages matériels.

- L'appareil n'est pas destiné à être utilisé par des personnes (notamment des enfants) souffrant de déficiences physiques, sensorielles ou mentales, ou par des personnes inexpérimentées ou non formées. Toute utilisation doit se faire sous la surveillance d'une personne responsable et avec les instructions appropriées.**
- Même sous surveillance, les enfants ne doivent pas jouer avec l'appareil.**
- Ne rechargez pas les batteries non rechargeables!**
- Veillez effectuer la recharge des batteries dans un endroit bien ventilé!**

Sécurité électrique



Vérifiez que la tension d'alimentation correspond à la tension nominale indiquée sur la plaque signalétique.

- N'utilisez pas la machine si le câble secteur ou la fiche secteur est endommagé.
- Utilisez uniquement des rallonges adaptées à la puissance nominale de la machine et d'une section minimum de 1,5 mm². Si vous utilisez une bobine de rallonge, déroulez toujours complètement le câble.

2. INFORMATIONS RELATIVES À LA MACHINE

Utilisation prévue

La machine est prévue pour mélanger des matériaux de construction en poudre comme le mortier, le plâtre, les adhésifs et les peintures, vernis et autres substances similaires sans solvants. Toute utilisation incorrecte peut endommager l'outil.

SPÉCIFICATIONS TECHNIQUES



Ce manuel a été élaboré pour plusieurs kits / numéros d'articles différents. Consultez le numéro d'article correspondant à votre produit dans le tableau de caractéristiques qui suit pour obtenir la composition et le contenu corrects de votre kit.

N° de modèle	Batteries incluses	Chargeur inclus
PM506DC	-	-
S_PM506DC	CD801AA	CD802AA
S2_PM506DC	2 x CD801AA	CD802AA
S3_PM506DC	CD803AA	CD802AA

Informations sur la machine	
Tension	20V
Vitesse à vide	0-650/min
Support d'outil	M14
Diam. du mélangeur	Ø 120mm
Poids	3,6 kg
Niveau de pression acoustique L _{PA}	77,1 dB(A)
Niveau d'intensité acoustique L _{WA}	88,1 dB(A)

Valeur vibratoire	
Poignée gauche	3,081 m/s ² , K= 1,5 m/s ²
Poignée droite	4,314 m/s ² , K= 1,5 m/s ²

N° de modèle	CD801AA
Type de batterie	Lithium-Ion
Tension	20V
Capacité	2,0 Ah
Chargeurs recommandés	CD802AA
Poids	0,3 kg

N° de modèle	CD802AA
Entrée chargeur	220-240V, 50Hz 0,4A
Sortie chargeur	21V 2,5A
Durée de charge 2Ah Batterie	60 minutes
Durée de charge 4Ah Batterie	120 minutes
Accus recommandés	CD801AA, CD803AA
Poids	0,36 kg

N° de modèle	CD803AA
Type de batterie	Lithium-Ion
Tension	20V
Capacité	4,0 Ah
Chargeurs recommandés	CD802AA
Poids	0,65 kg

N'utilisez que les batteries suivantes de la plateforme Batterie VONROC VPOWER 20V. L'utilisation de toute autre batterie pourrait provoquer de graves blessures ou endommager l'outil.

CD801AA 20V, 2Ah Lithium-Ion

CD803AA 20V, 4Ah Lithium-Ion

Le chargeur suivant peut être utilisé pour recharger ces batteries.

CD802AA Chargeur rapide

Les batteries de la plateforme Batterie VONROC VPOWER 20V sont interchangeables pour tous les outils de la plateforme Batterie VONROC VPOWER 20V.

Niveau de vibrations

Le niveau des vibrations émises, indiqué dans ce manuel, a été mesuré conformément à la procédu-

re décrite par la norme EN60745. Il peut être utilisé pour comparer deux outils ou pour réaliser une estimation préalable de l'exposition aux vibrations lors de l'utilisation de l'outil pour les applications mentionnées.

- L'utilisation de l'outil dans d'autres applications ou avec des accessoires différents ou mal entretenus peut considérablement augmenter le niveau d'exposition.
- La mise hors tension de l'outil et sa non-utilisation pendant qu'il est allumé peuvent considérablement réduire le niveau d'exposition.

Protégez-vous contre les effets des vibrations par un entretien correct de l'outil et de ses accessoires, en vous échauffant les mains et en organisant vos rythmes de travail.

DESCRIPTION

Les numéros dans le texte se rapportent aux schémas des pages 2 - 3.

1. Support de batterie
2. Poignée
3. Orifice d'aération
4. Porte-outil
5. Tige du fouet
6. Pale du fouet
7. Interrupteur Marche/Arrêt
8. Bouton de déverrouillage
9. Mollette de réglage de la vitesse
10. Clé
11. Batterie
12. Bouton de déverrouillage de la batterie
13. Bouton indicateur de batterie
14. Indicateur de charge de la batterie
15. Chargeur
16. Indicateurs à LED du chargeur

3. MONTAGE



Avant tous travaux sur l'outil électroportatif, sortez l'accu.



Vous devez charger la batterie avant la première utilisation.

Insertion de la batterie dans la machine (Fig. D)



Vérifiez que la surface extérieure de la batterie est propre et sèche avant de brancher le chargeur ou la machine.

1. Insérez la batterie (11) dans la base de la machine, comme illustré à la Fig. D.
2. Poussez la batterie vers l'avant jusqu'à ce qu'elle s'enclenche.

Retrait de la batterie de la machine (Fig. D)

1. Poussez les bouton de déverrouillage de la batterie (12).
2. Retirez la batterie de la machine, comme illustré à la Fig. D.

Contrôle de l'état de charge de la batterie (Fig. E)

- Pour vérifier l'état de charge de la batterie, appuyez brièvement sur le bouton (13) de la batterie.
- Quatre voyants indiquent le niveau de charge de la batterie. Plus il y a de voyants allumés, plus la charge est importante.
- Lorsque les voyants sont éteints cela indique que la batterie est vide et qu'elle doit être rechargée immédiatement.

Recharge de la batterie avec le chargeur (Fig. E)

1. Retirez la batterie (11) de la machine.
2. Retournez la batterie (11) et faites-la glisser dans le chargeur (15), comme illustré à la Fig. E.
3. Enfoncez la batterie tout au fond du logement.
4. Branchez la fiche du chargeur dans une prise électrique et patientez. Les indicateurs à LED sur le chargeur (14) s'allument et indiquent l'état du chargeur.

Le chargeur possède deux indicateur à LED (16) qui indique l'état du processus de charge:

État de l'indicateur à LED rouge	État de l'indicateur à LED vert	État du chargeur
Éteint	Éteint	Aucune alimentation
Éteint	Allumé	Mode veille: - Aucune batterie n'est insérée ou, - La batterie est insérée, mais la charge s'est achevée
Allumé	Éteint	Batterie en cours de charge

- Il faut compter jusqu'à 60 minutes pour recharger complètement la batterie 2Ah.
- Il faut compter jusqu'à 120 minutes pour recharger complètement la batterie 4Ah.

Lorsque la batterie est entièrement chargée, débranchez le chargeur de la prise secteur et retirez la batterie du chargeur.



Quand la machine n'est pas utilisée pendant une période prolongée, il est préférable d'entreposer la batterie rechargée.

Assembler le fouet en deux parties (Fig. A)

1. Vissez la tige du fouet (5) sur la pale (6).
2. Serrez fermement les deux pièces.

Remplacer le fouet (Fig. C)



Retirez toujours la batterie avant d'installer un accessoire.

N'utilisez que des fouets du diamètre spécifié. Utilisez toujours un fouet adapté à la matière à mélanger. L'utilisation d'un accessoire mélangeur inadapté sur-sollicite inutilement la machine et vous-même.

Installer le fouet

1. Vissez le fouet assemblé dans le porte-outil (4) dans le sens des aiguilles d'une montre aussi loin que possible.
2. Serrez le fouet sur le porte-outil à l'aide des clés fournies. Pour ce faire, tenez le porte-outil (4) à l'aide d'une des clés fournies (10) et utilisez la deuxième clé pour serrer le fouet assemblé.

Retirer le fouet

1. Desserrez le fouet assemblé à l'aide des clés fournies (10). Pour ce faire, tenez le porte-outil (4) à l'aide d'une des clés fournies (10) et utilisez la deuxième clé pour desserrer le fouet assemblé.
2. Dévissez le fouet du porte-outil (4) dans le sens inverse des aiguilles d'une montre.

4. FONCTIONNEMENT

L'interrupteur MARCHE/ARRÊT (Fig. B)

L'interrupteur marche/arrêt (7) permet d'activer la machine et de régler la vitesse.

- Pour démarrer la machine, maintenez le bouton de déverrouillage (8) enfonce et appuyez sur l'interrupteur Marche/Arrêt (7).
- Pour éteindre la machine, relâchez l'interrupteur Marche/Arrêt (7).

Réglage de la Vitesse (Fig. B)

La vitesse requise peut être réglée à l'aide du bouton de réglage de la vitesse (9). La vitesse de rotation peut également être réglée pendant le fonctionnement.

- Afin d'augmenter la vitesse, tournez le bouton de réglage de la vitesse (9) dans le sens des aiguilles d'une montre.
- Afin de diminuer la vitesse, tournez le bouton de réglage de la vitesse (9) dans le sens inverse des aiguilles d'une montre.

La vitesse requise dépend de la matière de la pièce et elle peut être définie après des tests pratiques.

Utilisation optimale

- Pour les matières à faible viscosité, comme les émulsions de peintures, les vernis, les adhésifs, les composés de scellement et les coulis de ciment par exemple, un fouet mélangeur avec spirale à gauche est recommandé pour optimiser l'intervention. La spirale à gauche permet de déplacer la matière du haut vers le bas alors que le fouet mélangeur est propulsé vers le haut. Les matières à faible viscosité sont mélangées de façon à minimiser les éclaboussures et une vitesse faible est donc recommandée.
- Pour les matières à haute viscosité, comme le plâtre, le béton, le ciment, les matériaux de remplissage et les résines Epoxy par exemple, un fouet mélangeur avec spirale à droite est recommandé pour optimiser l'intervention. La spirale à droite permet de déplacer la matière du bas vers le haut alors que le fouet mélangeur est enfoncé vers le fond (il trouve son chemin à travers la matière). Les matières à haute viscosité doivent être mélangées en profondeur et une vitesse rapide est donc recommandée.
- Pour optimiser le résultat, déplacez l'outil électrique de haut en bas pendant le mélange.
- Il est recommandé de nettoyer le fouet après chaque utilisation, en le faisant fonctionner dans un seau plein d'eau par exemple.

5. ENTRETIEN



Avant le nettoyage et l'entretien, mettez toujours la machine hors tension et retirez la batterie de la machine.

Nettoyez le corps de la machine régulièrement au moyen d'un chiffon doux, de préférence après chaque utilisation. Vérifiez que les ouvertures d'aération (3) ne sont pas obstruées ni sales. Utilisez un chiffon doux légèrement humidifié avec de la mousse de savon pour nettoyer les taches persistantes. N'utilisez pas de produits de nettoyage tels que l'essence, l'alcool, l'ammoniac, etc.; ces produits peuvent endommager les parties synthétiques.

ENVIRONNEMENT



Les équipements électroniques ou électriques défectueux ou destinés à être mis au rebut doivent être déposés aux points de recyclage appropriés.

Uniquement pour les pays de l'UE

Ne jetez pas les outils électriques avec les déchets domestiques. Selon la Directive européenne 2012/19/CE relative aux déchets d'équipements électriques et électroniques et sa mise en œuvre dans le droit national, les outils électriques hors d'usage doivent être collectés séparément et mis au rebut de manière écologique.

GARANTIE

Les produits VONROC sont développés aux plus hauts standards de qualité et ils sont garantis contre les défauts de pièces et de main d'oeuvre pendant la durée légale stipulée à partir de la date d'achat d'origine du produit. En cas d'une quelconque panne du produit pendant cette durée qui serait due à un défaut matériel et/ou de main d'oeuvre, contactez directement VONROC.

Les circonstances suivantes ne sont pas prises en charge par la garantie:

- Des réparations ou altérations ont été effectuées ou tentées sur la machine par un centre de réparation non agréé.
- L'usure normale.
- L'outil a été maltraité, mal utilisé ou mal entretenu.
- Des pièces détachées non d'origine ont été utilisées.

Ceci constitue l'unique garantie accordée par la société explicitement ou implicitement. Il n'existe aucune autre garantie, explicite ou implicite, qui peut s'étendre au delà du contenu ici présent, y compris

les garanties marchandes ou d'adaptation à des fins particulières. En aucun cas VONROC ne sera tenu responsable de dommages accidentels ou consécutifs. Les solutions proposées par les revendeurs devront se limiter à la réparation ou le remplacement des éléments ou pièces non conformes.

Le produit et le manuel d'utilisation sont sujets à modifications. Les spécifications peuvent changer sans préavis.

1. INSTRUCCIONES DE SEGURIDAD

Lea las advertencias de seguridad, las advertencias de seguridad adicionales y las instrucciones adjuntas. De no respetarse las advertencias de seguridad y las instrucciones, podrían producirse descargas eléctricas, incendios y/o lesiones graves. Conserve las advertencias de seguridad y las instrucciones para su posterior consulta.

Los siguientes símbolos se utilizan en el manual de usuario o en el producto:



Lea el manual de usuario.



Denota riesgo de lesiones personales, pérdida de vida o daños a la herramienta en caso de incumplimiento de las instrucciones del presente manual.



Velocidad electrónica variable



Lleve gafas de seguridad. Lleve protección auditiva.



Lleve una máscara antipolvo.



Fusible cinta miniatura de tipo retardado.



Temperatura máx. 45°C.



No arroje la batería al fuego.



No arroje la batería al agua.



Recogida selectiva de la batería de iones de litio.



El producto es conforme con las normas de seguridad vigentes en las Directivas Europeas.

INSTRUCCIONES GENERALES DE SEGURIDAD



PRECAUCIÓN! Lea todas las advertencias de seguridad y todas las instrucciones.

Si no lo hace, el uso indebido puede acarrear cortocircuitos, fuego o lesiones graves.

Conserve estas instrucciones.

El término "herramienta eléctrica", en todas las advertencias enumeradas a continuación se refiere

a su herramienta eléctrica (i nalámbrica) que funciona con una batería o a través de la red eléctrica.

1) Área de trabajo

- a) **Trabaje en un lugar limpio y bien iluminado.** Lugares no iluminados o sucios propician accidentes.
- b) **No use herramientas eléctricas donde haya riesgo de fuego o explosión, p.ej: cerca de líquidos o gases inflamables, polvo etc.** Las herramientas eléctricas producen chispas que pueden producir la ignición de partículas de humo.
- c) **Mantenga a los niños y otras personas alejados mientras utiliza la herramienta eléctrica.** Las distracciones pueden hacer que pierda el control de la herramienta.

2) Seguridad eléctrica

- a) **Cerciórese de que las clavijas de la herramienta eléctrica están correctamente enchufadas. Nunca modifique la clavija. No utilice ningún adaptador para la clavija de una herramienta eléctrica con conexión a tierra.** Las clavijas que no se hayan cambiado y los enchufes adecuados reducen el riesgo de cortocircuitos.
- b) **Evite el contacto humano con superficies con conexiones a tierra como tubos metálicos, conductos, tubos de la calefacción, radiadores y refrigeradores.** El riesgo de cortocircuitos es mayor cuando el cuerpo está en contacto con el suelo.
- c) **No use herramientas eléctricas bajo la lluvia o en entornos húmedos.** Si entra agua en una herramienta eléctrica aumenta el riesgo de cortocircuito.
- d) **No utilice el cable para todo. Nunca utilice el cable para mover la máquina, empujarla o sacar la clavija del enchufe. Mantenga el cable alejado del calor, aceite, zonas cortantes o piezas en movimiento.** Los cables dañados o enredados aumentan el riesgo de cortocircuito.
- e) **Use un cable alargador impermeable adecuado para exteriores cuando trabaje con la herramienta eléctrica al aire libre.** El riesgo de cortocircuito es menor si utiliza un cable alargador adecuado para exteriores.
- f) **Si no se puede evitar el uso de la herramienta eléctrica en un lugar húmedo, use suministro protegido mediante dispositivo diferencial residual (DDR).** El uso de un DDR reduce el riesgo de choque eléctrico.
- h) **No permita que la familiaridad adquirida con**

el uso frecuente de las herramientas le haga confiarse e ignorar los principios de seguridad de las herramientas. Una acción descuidada puede causar lesiones graves en una fracción de segundo.

3) Seguridad personal

- a) **No se descuide, preste atención a lo que está haciendo y utilice el sentido común mientras trabaje con esta herramienta. No use herramientas eléctricas cuando esté cansado o esté bajo los efectos del alcohol, las drogas o los medicamentos.** Un momento de distracción, mientras utilice la herramienta eléctrica, puede provocar lesiones personales graves.
- b) **Use equipo de protección individual. Use siempre gafas protectoras.** El uso en condiciones apropiadas del equipo de seguridad como por ejemplo: mascarilla antipolvo, zapatos antideslizantes de seguridad, casco o protección para los oídos, disminuye el riesgo de sufrir lesiones personales.
- c) **Evite arranques involuntarios. Asegúrese de que el interruptor está en la posición de apagado antes de conectarlo a la fuente de electricidad.** Transportar herramientas eléctricas con el dedo puesto sobre el interruptor o enchufarlas con el interruptor encendido puede causar accidentes.
- d) **Quite cualquier llave de ajuste antes de encender la herramienta eléctrica.** Una llave olvidada junto a una pieza móvil de la herramienta eléctrica puede provocar lesiones personales graves.
- e) **No se estire demasiado. Mantenga siempre el equilibrio y tenga los pies en el suelo.** Esto permite un mayor control de la herramienta eléctrica en situaciones inesperadas.
- f) **Vístase apropiadamente. No lleve prendas holgadas o joyas. Mantenga su pelo, ropa y guantes alejados de las piezas móviles.** Las prendas holgadas, las joyas y el pelo largo pueden quedar atrapados en las piezas móviles.
- g) **Si se han suministrado dispositivos para la extracción y recogida de polvo asegúrese de que estos estén conectados y se utilicen correctamente.** El uso de estos dispositivos puede reducir los riesgos relacionados con el polvo.
- h) **Mantenga las asas y las superficies de agarre secas, limpias y libres de aceite y grasa.** Las asas y las superficies de agarre resbaladizas no permiten un manejo y control seguros de la herramienta en situaciones inesperadas.

- 4) Utilización y cuidados de la herramienta eléctrica**
- a) **No fuerce la herramienta eléctrica. Utilice la herramienta eléctrica adecuada para el trabajo que vaya a realizar.** Una herramienta eléctrica apropiada realizará un trabajo mejor y más seguro si se utiliza para el objetivo con el que ha sido diseñada.
 - b) **No use herramientas que no pueden encenderse o apagarse con el interruptor.** Las herramientas que ya no se puedan encender y apagar son peligrosas y deben repararse.
 - c) **Desenchufe la clavija de la toma de electricidad antes de realizar modificaciones, cambiar accesorios o guardar las herramientas eléctricas.** Tales medidas de seguridad preventivas reducen el riesgo de la puesta en marcha accidental.
 - d) **Mantenga a los niños alejados de una herramienta eléctrica sin utilizar y no permita a personas que no estén familiarizadas con la máquina o estas instrucciones utilizar la herramienta.** La herramienta eléctrica puede ser peligrosa cuando la utilicen personas sin experiencia.
 - e) **Conserve sus herramientas cuidadosamente. Verifique cualquier desalineación o agarrotamiento de piezas móviles, piezas dañadas y cualquier otra causa, que pudiera repercutir en el buen funcionamiento de la herramienta eléctrica. Si la herramienta está estropeada, repárela antes de utilizarla.** Muchos de los accidentes están causados por un mantenimiento insuficiente del equipo eléctrico.
 - f) **Mantenga las herramientas de corte limpias y afiladas.** Sierras con esquinas cortantes con un buen mantenimiento se bloquean menos y son más fáciles de controlar.
 - g) **Utilice la herramienta eléctrica, accesorios y brocas etc. Siguiendo las instrucciones atendiendo al tipo de herramienta eléctrica y tenga en cuenta las condiciones de trabajo y el tipo de trabajo que se va a realizar.** Puede ser peligroso realizar trabajos con la herramienta diferentes de aquellos para los que está diseñada.
- 5) Uso y cuidado de las herramientas alimentadas por batería**
- a) **Recargue las baterías únicamente con el cargador recomendado por el fabricante.** Un cargador que es apto para un tipo de baterías determinado puede provocar riesgo de incendio si se usa para cargar otra clase de baterías.
 - b) **Use las herramientas eléctricas sólo con las baterías indicadas específicamente.** El uso de otra clase de baterías diferente puede ocasionar el riesgo de derivar en lesiones o un incendio.
 - c) **Cuando el paquete de baterías no esté en uso, consérvelo retirado de objetos metálicos como sujetapapeles, monedas, llaves, clavos, tornillos o cualquier otro objeto metálico pequeño que pueda hacer puente entre las terminales.** El contacto entre las terminales de la batería puede causar quemaduras o incendio.
 - d) **Bajo condiciones extremas de abuso la batería podría expulsar un líquido; evite todo contacto. Si se produjese contacto accidentalmente, lávese bien con agua. Si el líquido hace contacto con los ojos, consulte también al médico.** El líquido emanado de la batería puede causar irritaciones o quemaduras.
 - e) **No utilice una batería o una herramienta que esté dañada o modificada.** Las baterías dañadas o modificadas pueden presentar un comportamiento impredecible y provocar un incendio, una explosión o riesgo de lesiones.
 - f) **No exponga una batería o una herramienta al fuego o a temperatura excesiva.** La exposición al fuego o a temperaturas superiores a 130 °C puede provocar una explosión. **NOTA** La temperatura "130 °C" puede sustituirse por la temperatura "265 °F".
 - g) **Siga todas las instrucciones de carga y no cargue la batería o la herramienta fuera del rango de temperatura especificado en las instrucciones.** La carga incorrecta o a temperaturas fuera del rango especificado puede causar daños a la batería y aumentar el riesgo de incendio.
- 6) Servicio**
- a) **Haga reparar su herramienta eléctrica por una persona cualificada, usando solo piezas de repuesto idénticas.** Esto garantiza que se mantenga la seguridad de la herramienta eléctrica.
 - b) **Nunca repare las baterías dañadas.** El mantenimiento de las baterías debe ser realizado solo por el fabricante o los proveedores de servicio autorizados.

INSTRUCCIONES DE SEGURIDAD ADICIONALES

- **Sujete la herramienta con ambas manos por las asas previstas.** La pérdida de control puede causar lesiones personales.
- **Asegúrese de que haya una ventilación sufi-**

ciente cuando mezcle materiales inflamables, para evitar que se forme una atmósfera peligrosa. Pueden formarse vapores que pueden ser inhalados o incendiarse por las chispas que produce la herramienta eléctrica.

- **No mezcle alimentos.** Las herramientas eléctricas y sus accesorios no han sido diseñadas para procesar alimentos.
- **Mantenga el cable alejado de la zona de trabajo.** El cable puede enredarse en el recipiente de mezcla.
- **Asegúrese de que el recipiente de mezcla esté colocado en una posición firme y segura.** Si el recipiente no está bien firme puede desplazarse inesperadamente.
- **Asegúrese de que la carcasa de la herramienta eléctrica no tenga salpicaduras de líquidos.** Si el líquido penetra en la herramienta eléctrica puede causar daños y descargas eléctricas.
- **Siga las instrucciones y las advertencias del material que vaya a mezclar.** El material a mezclar puede ser perjudicial.
- **En caso de caída de la herramienta eléctrica dentro del material que vaya a mezclar, desenchufe inmediatamente la herramienta y hágala controlar por una persona cualificada.** Introducir la mano en el recipiente de mezcla cuando la herramienta aún está enchufada puede causar una descarga eléctrica.
- **No introduzca las manos ni ningún otro objeto en el recipiente de mezcla mientras esté mezclando.** El contacto con el recipiente de mezcla puede causar lesiones graves.
- **Ponga en marcha y haga funcionar la herramienta solo cuando esté dentro del recipiente de mezcla.** El recipiente de mezcla puede doblarse o girar de forma incontrolada.

AVERTISSEMENTS DE SECURITE POUR L'ACCU

- a) **Ne pas ouvrir l'accu.** Risque de court-circuit.
- b) **Protéger l'accu de toute source de chaleur, comme p. ex. l'exposition directe au soleil, au feu, à l'eau et à l'humidité.** Il y a risque d'explosion.
- c) **En cas d'endommagement et d'utilisation non conforme de l'accu, des vapeurs peuvent s'échapper. Ventiler le lieu de travail et, en cas de malaises, consulter un médecin.** Les vapeurs peuvent entraîner des irritations des voies respiratoires.
- d) **N'utilisez l'accumulateur qu'avec votre produit Vonroc.** Ceci protège l'accumulateur contre une

surcharge dangereuse.

- e) **Les objets pointus comme un clou ou un tournevis et le fait d'exercer une force extérieure sur le boîtier risque d'endommager l'accu.** Il peut en résulter un court-circuit interne et l'accu risque de s'enflammer, de dégager des fumées, d'exploser ou de surchauffer.

AVERTISSEMENTS DE SECURITE POUR LE CHARGEUR

Utilisation prévue

Chargez uniquement à l'aide de la batterie Li-ion rechargeable CD801AA ou CD803AA. Tout autre type de batterie est susceptible d'éclater et de provoquer des blessures et des dommages matériels.

- a) **L'appareil n'est pas destiné à être utilisé par des personnes (notamment des enfants) souffrant de déficiences physiques, sensorielles ou mentales, ou par des personnes inexpérimentées ou non formées.** Toute utilisation doit se faire sous la surveillance d'une personne responsable et avec les instructions appropriées.
- b) **Même sous surveillance, les enfants ne doivent pas jouer avec l'appareil.**
- c) **Ne rechargez pas les batteries non rechargeables!**
- d) **Veillez effectuer la recharge des batteries dans un endroit bien ventilé!**

Seguridad eléctrica



Compruebe siempre que la tensión del suministro eléctrico corresponda con la tensión de la placa de características.

- No utilice la máquina si el cable o el enchufe eléctrico han sufrido daños.
- Utilice únicamente cables alargadores que sean adecuados para la potencia nominal de la máquina con un grosor mínimo de 1,5 mm². Si utiliza un cable alargador en rollo, desenrolle totalmente el cable.

2. INFORMACIÓN DE LA MÁQUINA

Uso previsto

La máquina ha sido concebida para mezclar materiales de construcción pulverizados como mortero, yeso y adhesivos, y pinturas, barnices y sustancias similares sin disolventes. El uso inadecuado puede dañar la herramienta.

SPÉCIFICATIONS TECHNIQUES

Ce manuel a été élaboré pour plusieurs kits / numéros d'articles différents. Consultez le numéro d'article correspondant à votre produit dans le tableau des caractéristiques qui suit pour obtenir la composition et le contenu corrects de votre kit.

Modelo n.º	Baterías incluidas	Cargador incluido
PM506DC	-	-
S_PM506DC	CD801AA	CD802AA
S2_PM506DC	2 x CD801AA	CD802AA
S3_PM506DC	CD803AA	CD802AA

Información de la máquina

Tensión	20V
Velocidad en vacío	0-650/min
Montaje de herramienta	M14
Batidor	Ø 120 mm
Peso	3,6 kg
Nivel de presión acústica L _{PA}	77,1 dB(A)
Nivel de presión acústica L _{WA}	88,1 dB(A)
Valor de vibración	
Empuñadura izquierda	3,081 m/s ² , K = 1,5 m/s ²
Empuñadura derecho	4,314 m/s ² , K = 1,5 m/s ²

Modelo n.º	CD801AA
Tipo de batería	iones de litio
Voltaje	20V
Capacidad	2,0 Ah
Cargador recomendado	CD802AA
Peso	0,3 kg

Modelo n.º	CD802AA
Entrada del cargador	220-240V, 50Hz 0,4A
Salida del cargador	21V 2,5A
Tiempo de carga de la batería de 2 Ah	60 minutos
Tiempo de carga de la batería de 4 Ah	120 minutos

Baterías recomendadas	CD801AA, CD803AA
Peso	0,36 kg

Modelo n.º	CD803AA
Tipo de batería	Lones de litio
Voltaje	20V
Capacidad	4,0 Ah
Cargador recomendado	CD802AA
Peso	0,65 kg

Use solo las siguientes baterías de la plataforma de baterías VONROC VPOWER 20V. El uso de cualquier otra batería puede causar lesiones graves o dañar la herramienta.

CD801AA 20V, 2 Ah de iones de litio

CD803AA 20V, 4 Ah de iones de litio

Para cargar estas baterías se puede utilizar el siguiente cargador de batería.

CD802AA Cargador rápido

Las baterías de la plataforma de baterías VONROC VPOWER 20V son intercambiables con todas las herramientas de la plataforma de baterías VONROC VPOWER 20V.

Nivel de vibración

El nivel de emisión de vibraciones indicado en este manual de instrucciones ha sido medido según una prueba estándar proporcionada en EN 60745; puede utilizarse para comparar una herramienta con otra y como valoración preliminar de la exposición a las vibraciones al utilizar la herramienta con las aplicaciones mencionadas

- al utilizarla para distintas aplicaciones o con accesorios diferentes o con un mantenimiento deficiente, podría aumentar de forma notable el nivel de exposición
- en las ocasiones en que se apaga la herramienta o cuando está funcionando pero no está realizando ningún trabajo, se podría reducir el nivel de exposición de forma importante

Protéjase contra los efectos de la vibración realizando el mantenimiento de la herramienta y sus accesorios, manteniendo sus manos calientes y organizando sus patrones de trabajo.

DESCRIPCIÓN

Los números del texto se refieren a los diagramas de las páginas 2-3.

1. Soporte de la batería
2. Empuñadura
3. Aberturas de ventilación
4. Portaherramienta
5. Varilla
6. Agitador
7. Interruptor de encendido/apagado
8. Botón de desbloqueo
9. Botón de ajuste de velocidad
10. Llave
11. Batería
12. Botón de desbloqueo de la batería
13. Botón de indicadores LED de batería
14. Indicadores LED de la batería
15. Cargador
16. Indicadores LED del cargador

3. MONTAJE



Antes de realizar cualquier trabajo en la herramienta eléctrica, extraiga la batería.



Debe cargarse la batería antes de usar la máquina por primera vez.

Instalación de la batería en la máquina (Fig. D)



Compruebe que la parte exterior de la batería esté limpia y seca antes de colocarla en el cargador o en la máquina.

1. Inserte la batería (11) en la base de la máquina como se muestra en la Fig. D.
2. Pulse la batería más hacia delante hasta que haga clic en su sitio.

Extracción de la batería de la máquina (Fig. D)

1. Presione el botón de desbloqueo de la batería (12).
2. Extraiga la batería de la máquina como se muestra en la Fig. D.

Comprobación del estado de carga de la batería (Fig. E)

- Para comprobar el estado de carga de la batería, apriete brevemente el botón (13) de la batería.
- La batería tiene 3 luces que indican el nivel de

carga, cuantas más luces estén encendidas, más batería queda.

- Cuando las luces están apagadas significa que la batería está vacía y debe cargarse inmediatamente.

Carga de la batería con el cargador (Fig. E)

1. Extraiga la batería (11) de la máquina.
2. Dé vuelta la batería (11) y deslícela en el cargador (15) como se muestra en la Fig. E.
3. Empuje la batería hasta que quede totalmente colocada en la ranura.
4. Enchufe el enchufe del cargador en una toma de corriente eléctrica y espere un poco. Los indicadores de LED del cargador (14) se encenderán y mostrarán el estado del cargador.

El cargador tiene 2 indicadores de LED (16) que indican el estado del proceso de carga:

LED de estado rojo	LED de estado verde	Estado de la carga
Desactivado	Desactivado	Sin alimentación
Desactivado	Activado	Modo espera: - No hay ninguna batería insertada o, - Se ha insertado la batería pero el proceso de carga ha finalizado
Activado	Desactivado	Carga de la batería en curso

- La carga completa de la batería de 2 Ah puede llevar hasta 60 minutos.
- La carga completa de la batería de 4 Ah puede llevar hasta 120 minutos.

Después de que la batería esté totalmente cargada, desenchufe el enchufe del cargador de la toma de corriente y extraiga la batería del cargador.



Cuando no vaya a utilizarse la máquina durante un período de tiempo prolongado, es conveniente guardar la batería cargada.

Montaje de las dos piezas de mezclar (Fig. A)

1. Enrosque la varilla (5) en el agitador (6).
2. Apriete bien las dos piezas.

Sustitución del batidor (Fig. C)



Extraiga siempre la batería antes de montar un accesorio.

Use solo batidores conformes al diámetro especificado. Utilice siempre un batidor que sea adecuado al material que vaya a mezclar/batir. Usar una varilla mezcladora inadecuada puede sobrecargar innecesariamente tanto la máquina como a usted mismo.

Montar el batidor

1. Enrosque el batidor montado en el portaherramienta (4) al máximo en sentido horario.
2. Apriete el batidor en el portaherramienta utilizando las llaves suministradas. Para ello, mantenga firme el portaherramienta (4) utilizando una de las llaves suministradas (10), y con la segunda llave apriete el batidor ensamblado.

Extraer el batidor

1. Afloje el batidor montado usando las llaves suministradas (10). Para ello, mantenga firme el portaherramienta (4) utilizando una de las llaves suministradas (10), y con la segunda llave afloje el batidor ensamblado.
2. Desenrosque el batidor del portaherramienta (4) en sentido antihorario.

4. FUNCIONAMIENTO

Interruptor de encendido y apagado ON/ OFF (Fig. B)

El interruptor de encendido / apagado (7) se utiliza para activar la máquina y ajustar la velocidad.

- Para encender la máquina, mantenga pulsado el botón de desbloqueo (8) y después pulse el interruptor de Encendido/Apagado (7).
- Para parar la máquina, suelte el interruptor de encendido/apagado (7).

Ajuste de velocidad (Fig. B)

Puede ajustar la velocidad que desee usando el botón de ajuste de velocidad (9). La velocidad de rotación también puede ajustarse durante el funcionamiento.

- Para aumentar la velocidad, gire el botón de ajuste de velocidad (9) en sentido horario.
- Para reducir la velocidad, gire el botón de ajuste de velocidad (9) en sentido antihorario.

La velocidad requerida depende del material y puede establecerse mediante pruebas prácticas.

Uso óptimo

- En caso de materiales de baja viscosidad, como pinturas en emulsión, barnices, adhesivos, mortero y lechada de cemento, para un uso óptimo, se recomienda un agitador con espiral a la izquierda. Con un espiral a la izquierda, el material se mueve desde arriba hacia abajo y el agitador es empujado hacia arriba. Los materiales de baja viscosidad se mezclan de forma tal que se minimizan las salpicaduras, por tanto se recomienda una velocidad baja.
- En caso de materiales de alta viscosidad, como yeso, hormigón, cemento, material de revestimiento, rellenos y resina epoxi, para un uso óptimo, se recomienda un agitador con espiral a la derecha. Con un espiral a la derecha, el material se mueve desde abajo hacia arriba y el agitador es tirado hacia abajo (hacia la mezcla). Los materiales de alta viscosidad se mezclan bien, por lo que se recomienda una velocidad alta.
- Para obtener óptimos resultados, mueva la herramienta eléctrica con un movimiento hacia arriba abajo mientras realiza la mezcla.
- Se recomienda limpiar el agitador después del uso, por ejemplo, removiéndolo en un cubo lleno de agua.

5. MANTENIMIENTO



Antes de realizar la limpieza y el mantenimiento, apague siempre la máquina y extraiga el paquete de baterías de la máquina.

Limpie regularmente la carcasa de la máquina con un paño suave, preferentemente después de cada uso. Compruebe que los orificios de ventilación (3) estén libres de polvo y suciedad. Elimine el polvo persistente utilizando un paño suave humedecido con agua y jabón. No use disolventes tales como gasolina, alcohol, amoníaco, etc. Tales productos químicos pueden dañar los componentes sintéticos.

MEDIOAMBIENTE



Los aparatos eléctricos o electrónicos defectuosos y/o desechados deben recogerse en lugares de reciclado apropiado.

Solo para países de la Comunidad Europea

No elimine las herramientas eléctricas como residuos domésticos. De acuerdo con la Directiva europea 2012/19/CE sobre residuos de aparatos eléctricos y electrónicos, y su transposición a las legislaciones nacionales, las herramientas eléctricas que ya no se utilizan deben recogerse por separado y eliminarse en modo ecológico.

CONDICIONES DE GARANTÍA

Los productos VONROC han sido desarrollados con los más altos estándares de calidad y VONROC garantiza que están exentos de defectos relacionados con los materiales y la fabricación durante el periodo legalmente estipulado, a contar desde la fecha de compra original. En caso de que el producto presente defectos relacionados con los materiales y/o la fabricación durante este periodo, póngase directamente en contacto VONROC.

La presente garantía se excluye en los siguientes casos:

- Si centros de servicios no autorizados han realizado o han intentado realizar reparaciones y/o alteraciones a la máquina.
- Si se ha producido un desgaste normal.
- Si la herramienta ha sido mal tratada o usada en modo impropio, o se ha realizado incorrectamente su mantenimiento.
- Si se han utilizado piezas de repuesto no originales.

La presente constituye la única garantía implícita y explícita que ofrece la compañía. No existen otras garantías explícitas o implícitas que excedan las citadas aquí, incluidas las garantías implícitas de comerciabilidad e idoneidad para una finalidad en especial. VONROC no será considerada responsable en ningún caso por daños incidentales o consecuentes. Los recursos a disposición de los distribuidores se limitan a la reparación o a la sustitución de las unidades o piezas no conformes.

El producto y el manual de usuario están sujetos a variaciones. Las especificaciones pueden variarse sin previo aviso.

1. ISTRUZIONI DI SICUREZZA

Leggere accuratamente gli avvisi di sicurezza, gli avvisi di sicurezza aggiuntivi e le istruzioni. La mancata osservanza degli avvisi di sicurezza e delle istruzioni potrebbe causare scosse elettriche, incendio e/o gravi lesioni. Mantenere gli avvisi di sicurezza e le istruzioni a portata di mano per future consultazioni.

I seguenti simboli sono utilizzati nel presente manuale utente o sul prodotto:



Leggere il manuale per l'utente.



Denota il rischio di lesioni personali, morte o danni all'utensile in caso di mancata osservanza delle istruzioni contenute nel presente manuale.



Velocità elettronica variabile.



Indossare occhiali di protezione. Indossare protezioni per l'udito.



Indossare una mascherina anti-polvere..



Fusibile miniaturizzato a tempo ritardato.



Temperatura massima 45 °C.



Non gettare la batteria nel fuoco.



Non gettare la batteria nell'acqua.



Raccolta differenziata per la batteria agli ioni di litio.



Il prodotto è conforme agli standard pertinenti in materia di sicurezza previsti dalla legislazione Europea.

REGOLE GENERALI DI SICUREZZA



ATTENZIONE! Leggere tutte le avvertenze di sicurezza e tutte le istruzioni. *Se non si seguono tutte le istruzioni sotto elencate, si può incorrere in uno shock elettrico, in un incendio e/o in lesioni serie.*

Conservare queste istruzioni.

Il termine "arnese elettrico" in tutti gli avvertimenti sotto elencati si riferisce al vostro arnese elettrico

che funziona a corrente (con filo) o ad un arnese che funziona a pile (senza filo).

1) Area di lavoro

- a) **Mantenere l'area di lavoro pulita e ben illuminata.** Aree buie e disordinate favoriscono gli incidenti.
- b) **Non usare arnesi elettrici in atmosfere esplosive, come vicino ai liquidi infiammabili, gas o polveri.** Gli arnesi elettrici creano scintille che possono incendiare la polvere dei vapori.
- c) **Tenere lontani bambini e altre persone mentre si accende l'arnese elettrico.** Le distrazioni possono farvi perdere il controllo.

2) Sicurezza elettrica

- a) **Le spine dell'arnese elettrico devono andare bene per la presa di corrente. Non modificare mai la spina in alcun modo. Non usare alcun adattatore con arnesi elettrici a terra (messo a terra).** Spine non modificate che vanno bene per le prese di corrente ridurranno il rischio di shock elettrico.
- b) **Evitare il contatto corporeo con superfici a terra come tubature, radiatori, fornelli e refrigeratori.** C'è un rischio maggiore di shock elettrico se il vostro corpo è a terra.
- c) **Non esporre arnesi elettrici alla pioggia o a condizioni di umidità.** Se dell'acqua penetra nell'arnese elettrico aumenterà il rischio di shock elettrico.
- d) **Non abusare del filo. Non usare mai il filo per trasportare, spingere o staccare dalla presa l'arnese elettrico. Tenere il filo lontano da calore, olio, bordi taglienti o parti mobili.** Fili danneggiati o aggrovigliati aumentano il rischio di shock elettrico.
- e) **Quando si accende un arnese elettrico all'aperto, usare una prolunga adatta a tale uso.** Usare un filo adatto all'uso all'aperto ridurrà il rischio di shock elettrico.
- f) **Se non è possibile evitare l'uso di un elettrotensile in ambiente umido, usare una rete di alimentazione protetta da un interruttore differenziale (salvavita).** L'uso di un salvavita riduce il rischio di scosse elettriche.

3) Sicurezza personale

- a) **Stare vigili e attento quando si accende un arnese elettrico. Non usare un arnese elettrico mentre si è stanco o sotto l'effetto di droghe, alcool o medicinali.** Un momento di disattenzione mentre si accendono arnesi

elettrici può causare delle gravi lesioni personali.

- b) **Usare dispositivi di protezione individuale. Indossare sempre una protezione per gli occhi.** Dispositivi di sicurezza come mascherina per la polvere, scarpe di sicurezza antiscivolo, casco, o protezioni per le orecchie usate nelle appropriate condizioni, ridurranno le lesioni personali.
 - c) **Prevenire l'avvio accidentale. Assicurarsi che l'interruttore sia spento prima di collegarsi.** Trasportare elettrotensili tenendo il dito sull'interruttore di accensione o dare corrente ad elettrotensili con l'interruttore acceso può dare luogo a incidenti.
 - d) **Rimuovere ogni chiave regolatrice o chiave per dadi prima di accendere l'arnese elettrico.** Una chiave per dadi o una chiave lasciata attaccata ad una parte rotante dell'arnese elettrico può provocare lesioni personali.
 - e) **Cercare di mantenere l'equilibrio. Mantenere sempre un punto d'appoggio appropriato.** Questo consente un controllo migliore dell'arnese elettrico in situazioni inaspettate.
 - f) **Vestirsi adeguatamente. Non indossare vestiti larghi o gioielli. Tenere lontano capelli, vestiti e guanti dalle parti mobili.** Vestiti larghi, gioielli o capelli lunghi possono essere presi nelle parti mobili.
 - g) **Se vengono forniti dispositivi per la connessione dell'estrazione della polvere e attrezzature di raccolta, assicurarsi che questi siano collegati e usati correttamente.** L'uso di questi dispositivi può ridurre i rischi correlati alla polvere.
 - h) **Non lasciare che la confidenza acquisita dall'uso frequente induca l'utilizzatore ad assumere comportamenti imprudenti e a ignorare i principi di sicurezza per l'utensile.** Una semplice distrazione può provocare gravi lesioni personali in una frazione di secondo.
- ### 4) Uso e manutenzione dell'arnese elettrico
- a) **Non forzare l'arnese elettrico. Usare l'arnese elettrico corretto per il vostro impiego.** L'arnese elettrico corretto farà il lavoro meglio e in maniera più sicura alla velocità per la quale è stato progettato.
 - b) **Non usare l'arnese elettrico se l'interruttore non si accende o non si spegne.** Ogni arnese elettrico che non può essere controllato con l'interruttore è pericoloso e deve essere riparato.
 - c) **Scollegare la spina dalla sorgente di elettricità prima di fare qualsiasi regolazione, cambiare gli**

accessori, o conservare arnesi elettrici. Tali misure di sicurezza preventive riducono il rischio di accendere l'arnese elettrico accidentalmente.

- d) **Conservare gli arnesi elettrici inattivi fuori dalla portata dei bambini e non permettere a persone che non hanno confidenza con l'arnese elettrico o con queste istruzioni di usare l'arnese elettrico.** Gli arnesi elettrici sono pericolosi per utenti inesperti.
- e) **Mantenere gli arnesi elettrici. Controllare il non allineamento o l'attacco di parti mobili, la rottura di parti ed ogni altra condizione che può influire sul funzionamento degli arnesi elettrici. Se è danneggiato, far riparare l'arnese elettrico prima dell'uso.** Molti incidenti sono causati da arnesi elettrici mantenuti male.
- f) **Mantenere gli arnesi da taglio affilati e puliti.** È meno probabile che si attacchino degli arnesi da taglio mantenuti correttamente con tagli affilate e questi sono anche più facili da controllare.
- g) **Usare l'arnese elettrico, gli accessori e le parti dell'arnese ecc, secondo queste istruzioni e nel modo pensato per il particolare tipo di arnese elettrico, tenendo conto delle condizioni di lavoro e del lavoro da svolgere.** L'uso dell'arnese elettrico per operazioni diverse da quelle pensate potrebbe causare situazioni pericolose.
- h) **Mantenere le impugnature e le superfici di presa asciutte, pulite e libere da olio e grasso.** Impugnature e superfici di presa scivolose non consentono di maneggiare e controllare in sicurezza l'utensile in situazioni impreviste.

5) Uso e manutenzione dell'utensile a batteria

- a) **Ricaricare l'apparecchio esclusivamente con il caricabatterie specificato dal fabbricante.** Se si utilizza un caricabatterie di diverso tipo potrebbero verificarsi incendi.
- b) **Utilizzare gli utensili elettrici solo con i pacchi batterie appositamente prescritti.** L'uso di pacchi batterie di diverso tipo aumenta il rischio di infortunio o incendio.
- c) **Quando il pacco batterie non è in uso, tenerlo lontano da oggetti metallici quali fermagli, monete, chiavi, chiodi, viti o altri piccoli oggetti metallici che potrebbero mettere in collegamento i due poli.** Se i poli vengono messi in corto circuito, la batteria potrebbe emettere scintille o fiammate.
- d) **In condizioni di uso scorretto, la batteria potrebbe emettere liquido: evitare pertanto di entrarvi in contatto. In caso di contatto accidentale, risciacquare con acqua. Se il**

liquido entra a contatto con gli occhi, consultare immediatamente un medico. Il liquido emesso dalla batteria può causare irritazioni o ustioni.

- e) **Non utilizzare un pacco batterie o l'utensile se danneggiati o manomessi.** Pacchi batterie danneggiati o manomessi potrebbero avere comportamenti imprevisti con il rischio di incendiarsi, esplodere o provocare lesioni a persone.
- f) **Non esporre un pacco batterie o l'utensile alle fiamme o a temperature eccessivamente elevate.** L'esposizione alle fiamme o a temperature superiori a 130 °C potrebbe provocare un'esplosione. NOTA: la temperatura di "130 °C" corrisponde a "265 °F".
- g) **Seguire tutte le istruzioni per la ricarica e non caricare il pacco batterie o l'utensile a temperature che non rientrino nell'intervallo specificato nelle istruzioni.** Se si effettua la ricarica in modo improprio o a temperature non comprese nell'intervallo specificato, il pacco batterie potrebbe subire danni e potrebbe aumentare il rischio di incendi.

6) Riparazione

- a) **L'assistenza per l'elettro utensile deve essere prestata da un tecnico qualificato che utilizzi soltanto ricambi originali.** In questo modo viene garantita la sicurezza dell'elettro utensile.
- b) **Non tentare di riparare pacchi batterie danneggiati.** La riparazione dei pacchi batteria deve essere effettuata esclusivamente dal produttore o presso centri di assistenza autorizzati.

ISTRUZIONI DI SICUREZZA AGGIUNTIVE

- **Afferrare sempre l'elettro utensile con entrambe le mani dalle impugnature previste.** La perdita di controllo può causare lesioni personali.
- **Quando si miscelano materiali infiammabili assicurare una ventilazione sufficiente per evitare che si formi un'atmosfera pericolosa.** I vapori sprigionati potrebbero essere inalati o incendiarsi a causa delle scintille prodotte dall'elettro utensile in funzione.
- **Non usare il miscelatore per miscelare prodotti alimentari.** Gli elettro utensili e i relativi accessori non sono concepiti per la lavorazione di prodotti alimentari.
- **Tenere il cavo di alimentazione a distanza dall'area di lavoro.** Il cavo di alimentazione potrebbe rimanere impigliato nella frusta di miscelazione.
- **Accertarsi che il recipiente di miscelazione sia**

- collocato in una posizione stabile e sicura.** Un recipiente non adeguatamente fissato potrebbe spostarsi all'improvviso.
- **Accertarsi di evitare spruzzi di liquidi sull'alloggiamento dell'elettrodomestico.** Eventuali infiltrazioni di liquidi nell'elettrodomestico possono causare danni o folgorazioni.
 - **Seguire le istruzioni e le avvertenze di sicurezza relative al materiale da miscelare.** Il materiale da miscelare potrebbe essere pericoloso.
 - **Se l'elettrodomestico dovesse cadere nel materiale da miscelare, staccare subito la spina dalla presa di corrente e fare controllare la macchina da un tecnico qualificato.** Mettere le mani nel secchio con l'elettrodomestico ancora collegato alla presa può dar luogo a una scossa elettrica.
 - **Non infilare le mani nel recipiente di miscelazione né inserirvi altri oggetti mentre si sta miscelando il materiale.** Un eventuale contatto con la frusta di miscelazione potrebbe comportare gravi lesioni personali.
 - **Avviare e arrestare l'elettrodomestico solo all'interno del recipiente di miscelazione.** La frusta di miscelazione potrebbe piegarsi o girare in maniera incontrollata.

AVVERTENZE DI SICUREZZA PER LA BATTERIA

- a) **Non aprire la batteria.** Pericolo di cortocircuito.
- b) **Proteggere la batteria dal calore, ad esempio dalla luce solare intensa, dal fuoco, dall'acqua e dall'umidità.** Pericolo di esplosione.
- c) **In caso di danni e uso improprio della batteria, potrebbero essere emessi dei vapori. Ventilare l'area e rivolgersi a un medico in caso di malessere.** I vapori possono irritare il sistema respiratorio.
- d) **Utilizzare la batteria solo in combinazione con il prodotto Vonroc.** Questo accorgimento protegge la batteria da un sovraccarico pericoloso.
- e) **La batteria può essere danneggiata da oggetti appuntiti come chiodi o cacciaviti o da una forza applicata esternamente.** Si può verificare un cortocircuito interno e la batteria potrebbe bruciare, fumare, esplodere o surriscaldarsi.

AVVERTENZE DI SICUREZZA PER IL CARICABATTERIE

Uso previsto

Caricare solo pacchi batteria ricaricabili di tipo CD801AA e CD803AA con il caricabatterie. Batterie di tipi diversi potrebbero esplodere provocando lesioni personali e danni.

- a) **L'apparecchio non deve essere usato da persone con capacità fisiche, sensoriali o mentali ridotte (bambini inclusi) o che non hanno alcuna esperienza o conoscenza dell'apparecchio, a meno che non siano sorvegliate o siano state istruite sull'uso del prodotto.**
- b) **Accertarsi che i bambini non giochino con il caricabatterie.**
- c) **Non ricaricare batterie non ricaricabili!**
- d) **Durante la carica le batterie devono rimanere inserite nell'area adeguatamente ventilata!**

Sicurezza elettrica



Controllare sempre che la tensione di alimentazione corrisponda alla tensione indicata sulla targhetta delle caratteristiche.

- Non utilizzare l'elettrodomestico quando il cavo o la spina di alimentazione sono danneggiati.
- Utilizzare esclusivamente cavi di prolunga idonei per la potenza nominale dell'elettrodomestico, con conduttori di sezione minima di 1,5 mm². Quando si utilizza un cavo di prolunga con avvolgicavo, svolgere sempre completamente il cavo.

2. INFORMAZIONI RELATIVE ALL'ELETTRODOMESTICO

Uso previsto

La macchina è concepita per la miscelazione di materiali da costruzione in polvere, quali malta, intonaco e colle, oltre che colori non contenenti solventi, vernici e sostanze simili. Un uso scorretto può danneggiare l'utensile.


DATI TECNICI





Il presente manuale è stato predisposto per diversi assortimenti / codici articolo. Verificare il codice articolo corrispondente nella tabella di specificazione sottostante per la composizione e i contenuti corretti per il proprio assortimento.

Numero modello	Batterie incluse	Caricabatterie incluso
PM506DC	-	-
S_PM506DC	CD801AA	CD802AA
S2_PM506DC	2 x CD801AA	CD802AA
S3_PM506DC	CD803AA	CD802AA

Informazioni sul prodotto	
Tensione	20V 
Velocità a vuoto	0-650 giri/min
Assemblaggio dello strumento	M14
Frusta	Ø 120 mm
Peso	3,6 kg
Livello di pressione sonora L _{PA}	77,1 dB(A)
Livello di potenza sonora L _{WA}	88,1 dB(A)
Valore di vibrazione	
Manico sinistra	3,081 m/s ² , K = 1,5 m/s ²
Manico destra	4,314 m/s ² , K = 1,5 m/s ²

Modello n.º	CD801AA
Tipo di batteria	Ioni di litio
Tensione	20V 
Capacità	2,0 Ah
Caricabatterie consigliato	CD802AA
Peso	0,3 kg

Modello n.º	CD802AA
Ingresso del caricabatterie	220-240V, 50Hz 0,4A
Uscita del caricabatterie	21V  2,5A
Tempo di ricarica batteria 2Ah	60 minuti
Tempo di ricarica batteria 4Ah	120 minuti
Batterie consigliate	CD801AA, CD803AA
Peso	0,36 kg

Modello n.º	CD803AA
Tipo di batteria	Ioni di litio
Tensione	20V 
Capacità	4,0, Ah
Caricabatterie consigliato	CD802AA
Peso	0,65 kg

Utilizzare esclusivamente le batterie seguenti della piattaforma di batterie da 20V VONROC VPOWER. L'uso di batterie diverse potrebbe causare gravi lesioni personali o danni all'elettrotensile. Batteria agli ioni di litio da 20V, 2Ah, CD801AA
Batteria agli ioni di litio da 20V 4Ah, CD803AA

Il caricabatterie seguente può essere usato per caricare queste batterie.

Caricabatterie rapido CD802AA

Le batterie della piattaforma di batterie da 20V VONROC VPOWER sono intercambiabili con tutti gli elettrotensili con batterie della piattaforma da 20V VONROC VPOWER.

Livello delle vibrazioni

Il livello di emissione delle vibrazioni indicato sul retro di questo manuale di istruzioni è stato misurato in conformità a un test standardizzato stabilito dalla norma EN 60745; questo valore può essere utilizzato per mettere a confronto un l'utensile con un altro o come valutazione preliminare di esposizione alla vibrazione quando si impiega l'utensile per le applicazioni menzionate

- se si utilizza l'utensile per applicazioni diverse, oppure con accessori differenti o in scarse condizioni, il livello di esposizione potrebbe aumentare notevolmente
- i momenti in cui l'utensile è spento oppure è in funzione ma non viene effettivamente utilizzato per il lavoro, possono contribuire a ridurre il livello di esposizione.

Proteggersi dagli effetti della vibrazione effettuando la manutenzione dell'utensile e dei relativi accessori, mantenendo le mani calde e organizzando i metodi di lavoro.

DESCRIZIONE

I numeri che compaiono nel testo si riferiscono agli schemi riportati alle pagine 2- 3.

1. Portabatterie
2. Manico
3. Aperture di ventilazione
4. Portautensile
5. Stelo della frusta
6. Parte terminale della frusta
7. Interruttore di avvio/arresto
8. Pulsante di sicurezza
9. Rotella di regolazione velocità
10. Chiave
11. Batteria
12. Pulsante di sblocco batteria
13. Pulsante per spie a LED batteria
14. Spie a LED batteria
15. Caricabatterie
16. Indicatori a LED caricabatterie

3. MONTAGGIO



Prima di compiere qualsiasi intervento sull'elettrotensile rimuovere la batteria.



Prima del primo utilizzo la batteria deve essere caricata.

Inserimento della batteria nella macchina (Fig. D)



Assicurarsi che la batteria sia pulita esternamente prima di collegarla al caricabatterie o alla macchina.

1. Inserire la batteria (11) nella base dell'elettrotensile, come illustrato nella Figura D.
2. Spingere in avanti la batteria finché scatta in posizione con un clic.

Rimozione della batteria dalla macchina (Fig. D)

1. Premere il pulsante di sblocco batteria (12).
2. Estrarre la batteria dalla macchina, come illustrato nella Fig. D.

Verifica dello stato di carica della batteria (Fig. E)

- Per verificare lo stato di carica della batteria, premere brevemente il pulsante (13) sulla batteria.
- La batteria presenta 3 spie che indicano il livello di carica: più spie sono accese più la batteria è carica.
- Se le spie non sono illuminate di rosso, significa che la batteria è completamente scarica e deve essere ricaricata immediatamente.

Carica della batteria con il caricabatterie (Fig. E)

1. Rimuovere la batteria (11) dalla macchina.
2. Capovolgere la batteria (11) e inserirla nel caricabatterie (15), come illustrato nella Fig. E.
3. Spingere la batteria finché si incastra nell'apposito alloggiamento.
4. Collegare la spina del caricabatterie a una presa elettrica e attendere un momento. Gli indicatori a LED sul caricabatterie (14) si illuminano e mostrano lo stato di carica della batteria.

Sul caricabatterie sono presenti 2 indicatori a LED (16) che mostrano lo stato del processo di carica:

Stato LED rosso	Stato LED verde	Stato del caricabatterie
Spento	Spento	Nessuna alimentazione
Spento	Acceso stabile	Modalità standby: - Nessuna batteria inserita oppure, - Batteria inserita ma la ricarica è terminata
Acceso stabile	Spento	Carica della batteria in corso

- Per caricare completamente la batteria da 2Ah possono essere necessari fino a 60 minuti.
- Per caricare completamente la batteria da 4Ah possono essere necessari fino a 120 minuti.

Una volta caricata la batteria, rimuovere la spina del caricabatterie dalla presa di corrente e rimuovere la batteria dal caricabatterie.



Se si prevede che la macchina non verrà usata per molto tempo si consiglia di conservare le batterie cariche.

Assemblaggio della frusta suddivisa in due parti (Fig. A)

1. Avvitare lo stelo della frusta (5) sulla parte terminale della frusta (6)
2. Stringere saldamente entrambe le parti

Sostituzione della frusta (Fig. C)



Rimuovere sempre la batteria prima di inserire un accessorio.

Utilizzare solo fruste conformi al diametro specificato. Usare sempre una frusta adatta per gli ingredienti da mischiare/girare. L'uso di una barra del mixer non idonea può sovraccaricare la macchina e affaticare l'utilizzatore inutilmente.

Fissaggio della frusta

1. Avvitare la frusta assemblata nel portautensili (4) ruotandola il più possibile in senso orario.
2. Stringere la frusta nel portautensili utilizzando le chiavi in dotazione. Per eseguire questa operazione tenere fermo il portautensili (4) con una

delle chiavi (10) e utilizzare la seconda chiave per serrare la frusta assemblata.

Rimozione della frusta

1. Allentare la frusta assemblata con le chiavi in dotazione (10). Per eseguire questa operazione tenere fermo il portautensili (4) con una delle chiavi (10) e utilizzare la seconda chiave per allentare la frusta assemblata.
2. Svitare la frusta dal portautensili (4) ruotandola in senso antiorario.

4. FUNZIONAMENTO

L'interruttore di accensione (Fig. B)

L'interruttore di accensione/spengimento (7) serve per l'attivazione della macchina e la regolazione della velocità.

- Per accendere l'elettrotensile tenere premuto il pulsante di sicurezza (8), quindi premere l'interruttore di accensione/spengimento (7).
- Per arrestare l'elettrotensile rilasciare l'interruttore di accensione/spengimento (7).

Rotella di regolazione velocità (Fig. B)

La velocità richiesta può essere regolata con l'apposita rotella di regolazione (9). La velocità di rotazione può essere regolata anche mentre la levigatrice è in funzione.

- Per aumentare la velocità ruotare la manopola di regolazione della velocità (9) in senso orario.
- Per ridurre la velocità ruotare la manopola di regolazione della velocità (9) in senso antiorario.

Le velocità richieste dipendono dal materiale e possono essere stabilite con una prova pratica.

Utilizzo ottimale

- Per miscelare materiale a bassa viscosità, come per esempio pittura in emulsione, vernici, colle, composto per iniezioni e fanghi di cemento, utilizzare una frusta di miscelazione ad elica sinistra. Nella frusta di miscelazione ad elica sinistra il materiale viene convogliato dall'alto verso il basso. I prodotti da miscelare a bassa viscosità vengono miscelati in modo da ridurre gli spruzzi.
- Per miscelare materiale ad alta viscosità, come per esempio intonaco pronto, calcestruzzo, cemento, massetto, mastice o resina epossidica, utilizzare una frusta di miscelazione ad elica destra. Nella frusta di miscelazione ad elica destra il materiale viene convogliato dal basso verso

l'alto e la frusta di miscelazione viene introdotta nella miscela. I materiali ad alta viscosità sono difficili da miscelare, perciò si raccomanda di utilizzare la macchina ad alta velocità.

- Per ottenere risultati ottimali spostare l'elettrotensile su e giù durante la miscelazione.
- Si raccomanda di pulire la frusta dopo l'uso, ad esempio azionandola in un secchio pieno d'acqua.

5. MANUTENZIONE



Prima di eseguire qualsiasi operazione di pulizia e intervento di manutenzione spegnere sempre l'elettrotensile e rimuovere la batteria dall'elettrotensile.

Pulire regolarmente il corpo dell'elettrotensile con un panno morbido, preferibilmente dopo ogni uso. Assicurarsi che le prese d'aria (3) siano libere da polvere e sporczia. Rimuovere lo sporco particolarmente ostinato con un panno morbido inumidito con acqua e sapone. Non utilizzare solventi come benzina, alcol, ammoniacca, ecc. Le sostanze chimiche di questo tipo danneggiano i componenti sintetici.

RISPETTO AMBIENTALE



Le apparecchiature elettriche o elettroniche difettose e/o scartate devono essere raccolte presso gli opportuni siti di riciclaggio.

Solo per i Paesi CE

Non smaltire gli elettrotensili insieme ai rifiuti domestici. Secondo la Direttiva europea 2012/19/EC sui rifiuti delle apparecchiature elettriche ed elettroniche e relativa implementazione nelle normative locali, gli elettrotensili ormai inutilizzabili devono essere raccolti separatamente e smaltiti in modo ecologico.

DEFINIZIONI DELLA GARANZIA

I prodotti VONROC sono sviluppati secondo i più elevati standard di qualità e viene garantita l'assenza di difetti nei materiali e nella manodopera per il periodo contrattuale a partire dalla data di acquisto originale. Qualora il prodotto dovesse subire un guasto qualsiasi durante questo periodo a causa di difetti nei materiali e/o nella manodopera, si prega

di contattare direttamente il VONROC.

Le seguenti circostanze sono escluse da questa garanzia:

- Riparazioni e/o modifiche alla macchina sono state eseguite o tentate da centri di assistenza non autorizzati.
- Normale usura.
- L'utensile è stato abusato, utilizzato o manutenu- to in modo improprio.
- Sono state utilizzate parti di ricambio non origi- nali

Ciò costituisce l'unica garanzia espressa o implicita fornita dall'azienda. Non esistono altre garanzie espresse o implicite che si estendono oltre il presente documento, ivi comprese le garanzie im- plicite di commerciabilità e idoneità per uno scopo particolare. In nessun caso VONROC sarà responsa- bile di eventuali danni incidentali o consequenziali. I rimedi dei rivenditori saranno limitati alla ripara- zione o sostituzione di unità o parti non conformi.

Il prodotto e il manuale per l'utente sono soggetti a modifiche. I dati tecnici possono essere modificati senza ulteriore notifica.

1. SÄKERHETSFÖRESKRIFTER

Läs de medföljande säkerhetsvarningarna, de till- kommande säkerhetsvarningarna och anvisningar- na. Om inte säkerhetsvarningarna och anvisningar- na följs kan detta orsaka elstötar, brand och/eller allvarliga kroppsskador. Behåll säkerhetsvarningar- na och anvisningarna för framtida bruk.

Följande symboler används i bruksanvisningen eller på produkten:



Läs igenom bruksanvisningen.



Anger risk för personskada, dödsfall eller skada på verktyget om anvisningarna i denna handbok inte följs.



Steglös varvtalsreglering.



Använd skyddsglasögon.
Använd hörselskydd.



Använd skyddsmask.



Länk till tidsfördröjd miniatyrsäkring.



Maxtemperatur 45 °C.



Kasta inte batteriet i eld.



Kasta inte batteriet i vatten.



Separat återvinning av litiumjonbatteriet.



Produkten är i överensstämmelse med tillämpliga säkerhetsstandarder i EU-direk- tiven.

ALLMÄNNA SÄKERHETSFORSKRIFTER



Varning! Läs alla säkerhetsvarningar och alla anvisningar. Om inte alla instruktioner som anges nedan efterföljs kan detta leda till el-stötar, eldsvåda och/eller allvarliga skada.

Spara dessa instruktioner.

Termen "elektriskt redskap" i varningarna som anges nedan hänvisar till elektriska verktyg (med sladd, anslutet till el-nätet) eller batteridrivna (sladdlösa) elektriska verktyg.

1) Arbetsutrymme

- a) **Se till att arbetsutrymmet är städlat och väl upplyst.** Stökiga och mörka utrymmen ger anledning till olyckor.
- b) **Använd inte elektriska verktyg i explosiv luft, såsom i närheten av lättantändliga vätskor, gaser eller damm.** Elektriska verktyg åstadkommer gnistor som kan sätta eld på damm eller gas.
- c) **Håll barn och obehöriga på avstånd när du använder ett elektriskt verktyg.** Om du blir distraherad kan du tappa kontrollen över verktyget.

2) El-säkerhet

- a) **Stickkontakten till elektriska verktyg måste passa el-uttaget. Ändra aldrig på något sätt på stickkontakten. Använd inte adapterkontakter till jordade elektriska verktyg.** Oförändrade stickkontakter och passande uttag minskar risken för el-stötar.
- b) **Undvik kroppskontakt med jordade ytor såsom rör, element, spisar och kylskåp.** Risken för el-stötar är större om din kropp är jordad.
- c) **Låt inte elektriska verktyg utsättas för regn eller våta förhållanden.** Om det kommer in vatten i ett elektriskt verktyg ökar risken för el-stötar.
- d) **Skada inte kabeln. Använd aldrig kabeln för att bära eller dra det elektriska verktyget eller för att dra ut stickkontakten. Håll sladden borta från höga temperaturer, olja, vassa kanter eller rörliga delar.** Skadade eller hoptrasslade kablar ökar risken för el-stötar.
- e) **När du använder ett elektriskt verktyg utomhus måste förlängningskabeln vara lämplig för utomhusbruk.** Om man använder en förlängningskabel för utomhusbruk minskar risken för el-stötar.
- f) **Använd jordfelskydd (RCD) om arbete med ett elverktyg i fuktig miljö är oundvikligt.** Användning av RCD minskar risken för elstötar.

3) Personlig säkerhet

- a) **Var uppmärksam, titta på det du håller på med och använd sunt förnuft när du arbetar med ett elektriskt verktyg. Använd inte elektriska verktyg när du är trött eller står under inflytande av droger, alkohol eller mediciner.** Ett ögonblick ouppmärksamhet vid användandet av elektriska verktyg kan leda till allvarliga personskador.
- b) **Använd personlig skyddsutrustning. Bär alltid skyddsglasögon.** Säkerhetsutrustning såsom skyddsmasker, skor med anti-halskula, hjälm eller hörselskydd som används vid rätt omstän-

digheter kommer att minska personskador.

- c) **Förhindra oavsiktlig igångsättning. Se till att strömbrytaren är avslagen innan du sätter stickkontakten i eluttaget.** Om du bär elverktyg med fingret på brytaren eller strömsätter elverktyg vars brytare är aktiverad kan du råka ut för en olycka.
- d) **Ta bort skiftnycklar och skruvnycklar innan ett elektriskt verktyg slås på.** En skift- eller skruvnyckel som lämnas kvar fastsatt vid det elektriska verktygets roterande delar kan leda till personskada.
- e) **Sträck dig inte för långt. Se till att du alltid står stadigt och i balans.** På så sätt har du bättre kontroll över det elektriska verktyget i oväntade situationer.
- f) **Klä dig rätt. Bär inte löst sittande kläder eller smycken. Håll håret, kläder och handskar borta från rörliga delar.** Löst sittande kläder, smycken eller långt hår kan fastna i de rörliga delarna.
- g) **Om apparater för uppsugning och uppsamling av damm finns tillgängliga, se till att de ansluts och används korrekt.** Om sådana apparater används kan dammrelaterade faror minskas.
- h) **Låt inte erfarenheten som uppnås vid frekvent användning av verktyg låta dig bli för självsäker och ignorera verktygsäkerhetsprinciperna.** En oförsiktig handling kan orsaka allvarliga skador under bråkdelen av en sekund.

4) Underhåll av elektriska verktyg

- a) **Överbelasta inte ett elektriskt verktyg. Använd rätt sorts verktyg till det arbete du vill utföra.** Rätt sorts elektriskt verktyg gör arbetet bättre och säkrare i den hastighet det var designat för.
- b) **Använd inte verktyget om strömbrytaren är trasig.** Om ett elektriskt verktyg inte kan kontrolleras med hjälp av en strömbrytare är det farligt och måste lagas.
- c) **Koppla loss stickkontakten från verktyget innan du utför några justeringar, byter tillbehör eller förvarar det.** Med dessa preventiva säkerhetsåtgärder minskas risken för att det elektriska verktyget går på av misstag.
- d) **Förvara elektriska verktyg som inte är i bruk utom räckhåll för barn och låt inte personer som inte känner till verktyget eller dessa instruktioner använda det.** Elektriska verktyg är farliga i händerna på oerfarna användare.
- e) **Underhåll elektriska verktyg. Kontrollera att alla rörliga delar är i rätt linje och fastsatta, att inga delar är trasiga och att de är korrekta**

monterade. Kontrollera även annat som kan påverka verktygets funktion. Om det elektriska verktyget är trasigt måste det repareras innan det tas i bruk. Många olyckor förorsakas av dåligt underhållna elektriska verktyg.

- f) **Håll alltid sågande och skärande verktyg vassa och rena.** Sågande och skärande verktyg med vassa egg/skär fastnar inte så lätt och är enklare att hålla kontroll över.
 - g) **Använd det elektriska verktyget, dess tillbehör, borrande eller skärande delar etc. enligt dessa instruktioner och på det sätt som det är avsett för. Ta med förutsättningarna och det arbete som ska utföras i beräkningarna.** Att använda ett elektriskt verktyg för andra arbeten än det är avsett för kan resultera i farliga situationer.
 - h) **Se till att handtagen är torra, rena och fria från olja och fett.** Håll handtag och greppytor tillåter inte säker hantering och kontroll av verktyget i oväntade situationer.
- 5) Användning och skötsel av batteri och laddare**
- a) **Använd endast den laddare som anges av tillverkaren.** En laddare som passar en typ av batteri kan orsaka brand om den används för ett annat batteri.
 - b) **Använd endast elverktyget med ett batteripack som är avsett för verktyget.** Användning av andra batteripack kan medföra risk för skador och brand.
 - c) **När du inte använder batteriet ska det förvaras så att inga små metallföremål som t.ex. gem, mynt, spikar, skruvar osv. kan kortslua kontaktarna på batteriet.** Kortslutning av batterikontaktarna kan orsaka brännskador eller brand.
 - d) **Under extrema förhållanden kan vätska läcka ut från batteriet; undvik kontakt. Skölj med vatten vid kontakt med kroppsdelar. Uppsök genast en läkare om du får vätska i ögonen.** Vätska från batteriet kan orsaka irritation eller frätskador.
 - e) **Använd inte batterier eller verktyg som är skadade eller modifierade.** Skadade eller modifierade batterier kan uppvisa oförutsägbart beteende som kan leda till brand, explosion eller risk för skada.
 - f) **Utsätt inte batteri eller verktyg för eld eller överdriven temperatur.** Exponering för brand eller temperatur över 130 °C kan orsaka explosion. OBS! Temperaturen "130 °C" kan ersättas med temperaturen "265 °F".
 - g) **Följ alla laddningsanvisningar och ladda inte**

batteriet eller verktyget utanför det temperaturområde som anges i instruktionerna. Om du laddar batteriet felaktigt eller vid temperaturer utanför det angivna området kan det skada batteriet och öka risken för brand.

6) Service

- a) **Låt ditt elverktyg servas av en kvalificerad reparatör och enbart med originalreservdelar.** Detta säkerställer att elverktygets säkerhet upprätthålls.
- b) **Utför aldrig service på skadade batterier.** Service av batteri ska endast utföras av tillverkaren eller auktoriserade serviceleverantörer.

YTTERLIGARE SÄKERHETSANVISNINGAR

- **Håll verktyget med båda händerna i de avsedda handtagen.** Förlorad kontroll kan orsaka personskada.
- **Se till att ventilationen är god när du blandar lättantändliga material för att undvika farlig atmosfär.** Ånga som genereras kan andas in eller antändas av gnistor som elverktyget skapar.
- **Blanda inte livsmedel.** Elverktyg och tillbehör är inte avsedda för att hantera mat.
- **Håll sladden borta från arbetsområdet.** Sladden kan fastna i omrörningskorgen.
- **Se till att blandningsbehållaren står i ett stadigt och säkert läge.** En behållare som inte är ordentligt fastsatt kan plötsligt röra sig.
- **Se till att inga vätskor skvätter på elverktygets hölje.** Vätska som tränger in i verktyget kan orsaka skador och leda till elektriska stötar.
- **Följ instruktionerna och varningarna för att materialet som ska blandas.** Material som ska blandas kan vara skadliga.
- **Om elverktyget faller ned i materialet som ska blandas, koppla ur verktyget omedelbart och låt kontrollera elverktyget av en behörig reparatör.** Att föra ned verktyget i hinken medan det fortfarande är nätanslutet kan leda till elchock.
- **Stick inte ned händerna eller något annat föremål i blandningsbehållaren under blandningen.** Kontakt med omrörningskorgen kan leda till allvarliga personskadador.
- **Verktyget ska endast startas och köras medan det är i blandningsbehållaren.** Omrörningskorgen kan böjas eller snurra på ett okontrollerat sätt.

SÄKERHETSVARNINGAR FÖR BATTERI

- Öppna inte batteriet.** Risk för kortslutning.
- Skydda batteriet mot hetta, t.ex. mot kontinuerlig intensiv solstrålning, brand, vatten och fukt.** Risk för explosion.
- Vid skada och felaktig användning av batteriet kan ångor läcka ut. Ventilera området och sök medicinsk hjälp vid besvär.** Ångorna kan irritera andningssystemet.
- Använd endast batteriet i kombination med din Vonroc industriprodukt.** Denna åtgärd ensam skyddar batteriet mot farlig överbelastning.
- Batteriet kan skadas av vassa föremål såsom spikar eller skruvmejslar eller externa krafter.** En inret kortslutning kan uppstå och batteriet kan brinna, avge rök, explodera eller överhettas.

FÖR LADDAREN

Avsedd användning

Ladda endast CD801AA och CD803AA typ av laddningsbara batterier Batteripaket med laddaren. Andra typer av batterier kan explodera och orsaka personskada och skada.

- Apparaten får inte användas av personer (inklusive barn) med nedsatt fysisk eller mental förmåga eller brist på erfarenhet och kunskap, såvida de inte övervakas eller instrueras.**
- Barn som övervakas får inte leka med apparaten.**
- Ladda inte batterier som inte är uppladdningsbara!**
- Batterierna måste placeras i ett väl ventilerat område under laddning!**

Elsäkerhet



Kontrollera alltid att strömförsörjningens spänning överensstämmer med spänningen på märkplåten.

- Använd inte maskinen om nätkabeln eller nätkontakten är skadad.
- Använd endast förlängningskablar som är lämpliga för maskinens effektvärde med ett minimum tjocklek 1,5 mm². Om du använder en förlängningskabelrulle ska du alltid rulla ur kabeln helt.

2. MASKININFORMATION

Avsedd användning

Maskinen är avsedd för blandning av pulveriserat byggmaterial som murbruk, gips, lim, samt lösningsmedelsfri färg, lack och liknande ämnen. Felaktig användning kan skada verktyget.

TEKNISKA SPECIFIKATIONER





Denna handbok har tagits fram för olika uppsättningar / artikelnummer. Kontrollera motsvarande artikelnummer i specifikationstabellen nedan för korrekt sammansättning och innehåll i din uppsättning.

Modellnr.	Batterier ingår	Laddare ingår
PM506DC	-	-
S_PM506DC	CD801AA	CD802AA
S2_PM506DC	2 x CD801AA	CD802AA
S3_PM506DC	CD803AA	CD802AA

Maskininformation	
Spänning	20V
Tomgångsvarvtal	0-650/min
Verktögsfäste	M14
Visp	Ø 120mm
Vikt	3,6 kg
Ljudtrycknivå L _{PA}	77,1 dB(A)
Akustisk effektnivå L _{WA}	88,1 dB(A)
Vibrationsvärde	
Vänster handtag	3,081 m/s ² , K=1,5 m/s ²
Höger handtag	4,314 m/s ² , K=1,5 m/s ²

Modellnr.	CD801AA
Batterityp	Litium-jon
Spänning	20V
Kapacitet	2,0 Ah
Rekommenderad laddare	CD802AA
Vikt	0,3 kg

Modellnr.	CD802AA
Laddarinmatning	220-240V, 50Hz 0,4A
Laddarutmatning	21V  2,5A
Laddningstid 2Ah batteri	60 minuter
Laddningstid 4Ah batteri	120 minuter
Rekommenderade batterier	CD801AA, CD803AA
Vikt	0,36 kg

Modellnr.	CD803AA
Batterityp	Litium-jon
Spänning	20V 
Kapacitet	4,0 Ah
Rekommenderad laddare	CD802AA
Vikt	0,65 kg

Använd endast följande batterier från VONROC VPOWER 20V batteriplattform. Användning av andra batterier kan orsaka allvarliga skador eller skador på verktyget.

CD801AA 20V, 2Ah Litium-jon
CD803AA 20V, 4Ah Litium-jon

Följande laddare kan användas för att ladda dessa batterier.

CD802AA Snabbbladdare

Batterierna från VONROC VPOWER 20V batteriplattform är utbytbara mellan alla VONROC VPOWER 20V batteriplattformens verktyg.

Vibrationsnivå

Vibrationsemissionsvärdet som står på baksidan av den här instruktionsboken har uppmätts enligt ett standardiserat test i enlighet med EN 60745; detta värde kan användas för att jämföra vibrationen hos olika verktyg och som en ungefärlig uppskattning av hur stor vibration användaren utsätts för när verktyget används enligt det avsedda syftet:

- om verktyget används på ett annat än det avsedda syftet eller med fel eller dåligt underhållna tillbehör kan detta drastiskt öka vibrationsnivån;
- när verktyget stängs av eller är på men inte används, kan detta avsevärt minska vibrationsnivån.

Skydda dig mot vibration genom att underhålla verktyget och dess tillbehör, hålla händerna varma och styra upp ditt arbetssätt.

BESKRIVNING

Siffrorna i texten nedan hänvisar till bilderna på sidorna 2-3.

1. Batterihållare
2. Handtag
3. Ventilationsöppningar
4. Verktygshållare
5. Vispaxel
6. Vispaddel
7. Strömbrytare
8. Låsknapp
9. Hastighetsjusteringsratt
10. Skiftnyckel
11. Batteri
12. Upplåsningsknapp för batteriet
13. Knapp för batteri-LED-indikatorer
14. Batteri-LED-indikatorer
15. Laddare
16. LED-laddningsindikering

3. MONTERING



Ta bort batteriet innan du utför något arbete på elverktyget.



Batteriet måste laddas innan det används för första gången.

Insättning av batteriet i maskinen (bild D)



Se till att batteriets utsida är ren och torr innan du ansluter det till laddaren eller maskinen.

1. Sätt in batteriet (11) i maskinens bas enligt bild D.
2. Skjut batteriet framåt tills det klickar på plats.

Borttagning av batteriet från maskinen (bild D)

1. Tryck ner batteriets upplåsningsknapp (12).
2. Skjut batteriet bakåt ut ur maskinen enligt bild D.

Kontroll av batteriets laddningsstatus (bild E)

- Tryck kort på knappen (13) på batteriet för att kontrollera batteriets laddningsstatus.
- Batteriet har 3 lampor som indikerar laddningsnivån. Ju fler lampor som lyser, desto mer är batteriet laddat.
- När lamporna inte lyser betyder det att batteriet är tomt och måste laddas omedelbart.

Laddning av batteriet med laddaren (bild E)

1. Ta ut batteriet (11) från maskinen.
2. Vänd batteriet (11) upp och ner och tryck in det i laddaren (15) enligt bild E.
3. Tryck in batteriet tills det kommer in i luckan helt.
4. Koppla in laddarens kontakt i ett eluttag och vänta en stund. Laddarens LED-indikering (14) kommer att lysa och visa laddningsstatusen.

Laddaren har två laddningsindikeringslampa (16) som indikerar laddningsprocessens status:

Röd LED Status	Grön LED status	Laddningsstatus
Av	Av	Ingen ström
Av	På	Standbyläge: - Inget batteri insatt eller, - Batteri insatt men laddningen slutfördes
På	Av	Batteriladdning pågår

- Det kan ta upp till 60 minuter att fulladda 2Ah batteriet.
- Det kan ta upp till 120 minuter att fulladda 4Ah batteriet.

Ta ut laddningskontakten från uttaget och ta ut batteriet från laddaren när batteriet har fulladdats.



När maskinen inte används under längre tid är det bäst att lagra batteriet i laddat tillstånd.

Montering av tvådelad visp (Bild A)

1. Skruva vispaxeln (5) på vispskivan (6).
2. Dra åt båda delarna ordentligt

Byte av visp (Bild C)

Ta alltid ut batteriet innan du monterar ett tillbehör.

Använd endast vispar i enlighet med angiven diameter. Använd alltid en visp som passar materialet som ska blandas/röras. Användning av olämplig mixerstav kan onödigt överbelasta både maskinen och dig själv.

Montering av visp

1. Skruva in den monterade vispen i verktygshållaren (4) medurs i så stor utsträckning som möjligt.
2. Dra åt vispen i verktygshållaren med hjälp av de medföljande nycklarna. För att göra det, håll in verktygshållaren (4) med en av de medföljande nycklarna (10), och använd den andra nyckeln för att dra åt den monterade vispen.

Borttagning av vispen

1. Lossa monterad visp med hjälp av de medföljande nycklarna (10). För att göra det, håll in verktygshållaren (4) med en av de medföljande nycklarna (10), och använd den andra nyckeln för att lossa den monterade vispen.
2. Skruva lossa vispen från verktygshållaren (4) moturs.

4. ANVÄNDNING**Igångsättning och avstängning (bild B)**

Växelbrytaren (7) används för aktivering av maskinen och justering av hastigheten.

- För att starta maskinen, håll in låsknappen (8) och tryck på strömbrytaren (7).
- Släpp strömbrytaren (7) för att stoppa maskinen.

Hastighetsjustering (bild B)

Den önskade hastigheten kan ställas in genom att använda hastighetsinställningsratten (9). Även under körningen kan rotationshastigheten justeras.

- För att öka hastigheten, vrid hastighetsinställningsratten (9) medurs.
- För att minska hastigheten, vrid hastighetsinställningsratten (9) moturs.

Den hastighet som krävs beror på materialet och kan avgöras genom praktiskt test.

Optimal användning

- För material med låg viskositet, t.ex. emulsionsfärg, lack, lim, injekteringsblandning och cementslam rekommenderas en omrörare med en så kallad vänsterspiral för optimal användning. Med en vänsterspiral flyttas materialet uppifrån och ner och omrörarens visp trycks uppåt. Material med låg viskositet blandas på ett sätt som minimerar stänk, så låg hastighet rekommenderas.
- För material med hög viskositet, t.ex. gips, betong, cement, golvbeläggning, fyllmedel och

epoxiharts rekommenderas en omrörare med en så kallad högerspiral för optimal användning.

Med en högerspiral flyttas materialet nerifrån och upp och omrörarens visp trycks nedåt (arbetar in i blandningen). Material med hög viskositet ska blandas noga, så hög hastighet rekommenderas.

- För bästa resultat, rör elverktyget upp och ner under blandningsprocessen.
- Det rekommenderas att vispen rengörs efter användning, till exempel genom att köra vispen i en hink fylld med vatten.

5. UNDERHÅLL



Stäng alltid av maskinen och ta ut batteripaketet från maskinen innan underhåll.

Rengör maskinen hus regelbundet med en mjuk trasa, helst efter varje gång du använder maskinen. Se till att ventilationsöppningarna (3) är fria från damm och smuts. Ta bort mycket ihållande smuts med en mjuk trasa fuktad med tvållösning. Använd inte lösningsmedel som bensin, alkohol, ammoniak osv. Sådana kemikalier skadar de syntetiska komponenterna.

MILJÖ



Felaktig och/eller kasserad elektrisk eller elektronisk utrustning måste lämnas in på lämpliga återvinningsstationer.

Endast för EU-länder

Släng inte elverktyg i hushållsavfallet. Enligt det europeiska WEEE-direktivet 2012/19/EU för avfall från elektrisk och elektronisk utrustning och dess tillämpning nationellt ska elverktyg som inte längre kan användas samlas in separat och kasseras på ett miljövänligt sätt.

GARANTI

VONROC produkter är utvecklade enligt högsta kvalitetsstandard och garanteras vara utan defekter både vad gäller material och tillverkning under den period som stipuleras enligt lag med början från ursprungligt inköpsdatum. Om något fel uppstår på produkten under denna period på grund av material- och/eller tillverkningsfel skall VONROC kontaktas direkt.

Följande omständigheter exkluderas från denna garanti:

- Reparationer eller ändringar som gjorts eller försökt göras på maskinen av ett icke auktoriserat servicecenter.
- Normalt slitage.
- Verktyget har missbrukats, använts fel eller underhållits på felaktigt sätt.
- Icke-originalreservdelar har använts.

Detta utgör hela garantin från företaget, antingen uttryckt eller underförstått. Det finns inga andra garantier, uttalade eller underförstådda som gäller utöver ordalydelsen härav, häri, inklusive de uttalade garantierna för säljbarhet och lämplighet för ett särskilt syfte. Under inga omständigheter skall VONROC hållas ansvarig för några oförutsedda eller indirekta skador. Återförsäljarens åtgärder skall begränsas till reparation eller byte av felaktiga enheter eller delar.

Med förbehåll för ändringar i produkten och bruksanvisningen. Specifikationer kan ändras utan förvarning.

1. SIKKERHEDSANVISNINGER

Læs de medfølgende sikkerhedsadvarsler, de supplerende sikkerhedsadvarsler og instruktionerne. Såfremt sikkerhedsadvarsler og instruktioner ikke følges, kan dette medføre elektriske stød, brand og/eller alvorlige ulykker. Gem alle sikkerhedsadvarsler og instruktioner til fremtidig reference.

Følgende symboler anvendes i denne brugermanual eller på produktet:



Læs brugermanualen.



Angiver risiko for personskade, dødsfald eller beskadigelse af værktøjet i tilfælde af manglende overholdelse af anvisningerne i denne vejledning.



Variabel hastighedsregulering.



Brug beskyttelsesbriller.
Brug høreværn.



Bær en støvmaske.



Tidsforskudt miniature sikringsindsats.



Maks. temperatur 45 °C.



Kast ikke batteriet ind i åben ild.



Kast ikke batteriet ind i vand.



Separat aflevering af Li-ion batteri.



Produktet overholder de gældende sikkerhedsstandarder i de europæiske direktiver.

GENERELLE SIKKERHEDSFORSKRIFTER



Advarsel! Læs alle sikkerhedsadvarsler og alle anvisninger. Hvis alle nedenstående instruktioner ikke følges, kan det resultere i elektrisk stød, brand og/eller alvorlig personskade.

Gem disse instruktioner.

Udtrykket "elektrisk maskine" i alle advarslerne nedenfor henviser til elektriske maskiner/værktøj/redskaber, der via en ledning tilkobles elnettet eller strømforsynes via batteri (accu).

1) Arbejdsområde

- Arbejdsområdet skal være rent og tilstrækkeligt belyst.** Rodede og mørke arbejdsområder giver større risiko for ulykker.
- Brug ikke elektriske maskiner i eksplosive omgivelser, f.eks. i nærheden af brandfarlige væsker, gasser eller støv.** Elektriske maskiner frembringer gnister, som kan antænde støv eller dampe.
- Hold børn og omkringstående på afstand, når der bruges elektriske maskiner.** Hvis man distraheres, kan man miste kontrollen over den elektriske maskine.

2) Elektrisk sikkerhed

- Stik til elektriske maskiner skal passe til stikkontakten. Der må ikke foretages ændringer af stikket. Brug ikke snydepropper til jordede (jordforbundne) elektriske maskiner.** Originale stik og tilsvarende kontakter mindsker risikoen for elektrisk stød.
- Undgå kropskontakt med jordede eller jordforbundne overflader som f.eks. rør, radiatorer, komfurer og køleskabe.** Der er øget risiko for elektrisk stød, hvis kroppen er jordet eller jordforbundet.
- Elektriske maskiner må ikke udsættes for regn eller våde omgivelser.** Hvis der kommer vand i den elektriske maskine, øges risikoen for elektrisk stød.
- Brug ikke ledningen forkert. Brug ikke ledningen til at bære eller trække maskinen og heller ikke for at tage ledningen ud af stikkontakten. Hold ledningen væk fra stærk varme, olie, skarpe kanter og bevægelige dele.** Beskadigede eller filtrede ledninger øger risikoen for elektrisk stød.
- Når en elektrisk maskine bruges udendørs, skal man bruge en forlængerledning, der er beregnet til udendørs brug.** Hvis der bruges en forlængerledning, der er beregnet til udendørs brug, mindskes risikoen for elektrisk stød.
- Hvis det ikke kan undgås at bruge et maskinværktøj i et fugtigt miljø, bør du anvende en forsyning, der er beskyttet af en fejlstrømsafbryder (RCD).** Brugen af en RCD reducerer risikoen for elektrisk stød.

3) Personlig sikkerhed

- Vær agtpågivende, hold øjnene rette mod det, du laver, og brug almindelig sund fornuft, når du bruger en elektrisk maskine. Brug ikke en elektrisk maskine, hvis du er træt eller er under påvirkning af narkotika, alkohol eller medicin.** Et øjebliklig uopmærksomhed under arbejdet med en elektrisk

- maskine kan resultere i alvorlig personskade.
- b) **Brug personligt sikkerhedsudstyr. Brug altid beskyttelsesbriller.** Sikkerhedsudstyr som støvmaske, skridsikre sko, hjelm eller høreværn, brugt når det er nødvendigt, mindsker risikoen for personskade.
 - c) **Undgå utilsigtet start. Sørg for, at der er slukket på afbryderen, før stikket sættes i stikkontakten.** Hvis maskinværktøj bæres med fingeren på kontakten, eller når maskinværktøj strømføres med tændt kontakt, kan der nemt ske ulykker.
 - d) **Fjern justeringsnøgler og tænger, før der tændes for den elektriske maskine.** En tang eller nøgle, der sidder på en roterende del af den elektriske maskine, kan resultere i personskade.
 - e) **Ræk ikke for langt ud. Stå sikkert på fødderne og vær altid i god balance.** Det giver bedre kontrol over maskinen i uventede situationer.
 - f) **Tag passende tøj på. Bær ikke løstsiddende tøj eller smykker. Hold hår, tøj og handsker væk fra bevægelige dele.** Løstsiddende tøj, smykker eller langt hår kan blive grebet af bevægelige dele.
 - g) **Hvis der forefindes tilslutning til støvudsugning og -opsamling, skal man sørge for, at udstyret er tilsluttet og bruges.** Brug disse muligheder for at mindske risikoen for støvrelaterede risici.
 - h) **Lad ikke kendskab opnået gennem hyppig brug af værktøj lade dig blive tilbagelænet og ignorere værktøjsikkerhedsprincipper.** En skødesløs handling kan forårsage alvorlig personskade inden for en brøkdal af et sekund.
- 4) Brug og behandling af elektriske maskiner**
- a) **Brug ikke magt på den elektriske maskine. Brug kun den elektriske maskine til det, den er beregnet til.** Den rette elektriske maskine gør arbejdet bedre og mere sikkert ved den effekt, der er foreskrevet.
 - b) **Brug ikke den elektriske maskine, hvis afbryderen ikke kan tænde og slukke.** En elektrisk maskine, der ikke kan tændes og slukkes på afbryderen, er farlig og skal repareres.
 - c) **Tag stikket ud af stikkontakten før justering, udskiftning af tilbehør, og før den elektriske maskine gemmes væk.** Sådanne forebyggende sikkerhedsforanstaltninger mindsker risikoen for, at den elektriske maskine starter ved et uheld.
 - d) **Elektriske maskiner, der ikke bruges, skal opbevares utilgængeligt for børn, og personer, der ikke har kendskab til den elektriske maskine eller disse instruktioner, må ikke bruge den elektriske maskine.** Elektriske maskiner er farlige i hænderne på uøvede personer.
- e) **Elektriske maskiner skal vedligeholdes. Check for forkert justering og fastsiddende bevægelige dele, defekte dele og andre ting, som kan påvirke den elektriske maskines korrekte funktion. Hvis den elektriske maskine er beskadiget, skal den repareres før brug.** Mange ulykker skyldes, at elektriske maskiner er dårligt vedligeholdt.
 - f) **Skærende værktøj skal holdes skarpe og rene.** Korrekt vedligeholdt skærende værktøj med skarpe skær kommer ikke så let til at sidde fast og er nemmere at styre.
 - g) **Brug den elektriske maskine, tilbehør, tool-bits osv. i henhold til disse instruktioner og på den måde, som denne specielle maskine er beregnet til, idet man skal tage hensyn til arbejdsforholdene og arbejdet, der skal udføres.** Brug af den elektriske maskine til andet, end den er beregnet til, kan resultere i farlige situationer.
 - h) **Hold håndtag og gribeblader tørre, rene og fri fra olie og fedtstof.** Glatte håndtag og gribeblader giver ikke mulighed for sikker håndtering og kontrol af værktøjet i uventede situationer.
- 5) Batteriværktøj anvendelse og vedligeholdelse**
- a) **Genoplad kun med oplader som er specificeret af fabrikanten.** En oplader som er anvendelig for en type batteripakning kan forårsage brand, når den anvendes med en anden batteripakning.
 - b) **Anvend kun elektroværktøj med særlig egnede batteripakninger.** Anvendelse af enhver anden batteripakning kan give risiko for ulykker og brandfare.
 - c) **Når batteripakning ikke anvendes, holdes det altid på afstand af enhver metalgenstand såsom papirklips, mønter, nøgler, søm eller andre små metalgenstande der kan lave en forbindelse fra én terminal til en anden.** Ved at kortslutte batteriterminalerne sammen kan forårsage brandfare.
 - d) **Under dårlige forhold kan væske udløbe fra batteriet; undgå kontakt med dette. Hvis kontakt alligevel forekommer, skylles der med vand. Hvis væske kommer i øjnene, skal der øjeblikkeligt søges lægehjælp.** Væske som udløber fra batteriet kan forårsage irritationer og forbrændinger.
 - e) **Brug ikke en batteripakke eller et værktøj, der er beskadiget eller modificeret.** Beskadigede eller modificerede batterier kan udvise uforudsigelig adfærd, hvilket resulterer i brand, eksplosion eller risiko for personskade.
 - f) **Undlad at udsætte en batteripakke eller et værktøj for åben ild eller for høj temperatur.**

Udsættelse for åben ild eller temperatur over 130 °C kan forårsage eksplosion.
BEMÆRK Temperaturen „130 °C“ kan erstattes af temperaturen „265 °F“.

- g) **Følg alle opladningsinstruktioner, og oplad ikke batteripakken eller værktøjet uden for temperaturintervallet specificeret i instruktionerne.** Forkert opladning eller opladning ved temperaturer uden for det specificerede interval kan beskadige batteriet og øge risikoen for brand.

6) Service

- a) **Få foretaget service på dit maskinværktøj af en kvalificeret reparatør, der kun bruger identiske udskiftningsdele.** Dette sikrer, at maskinværktøjet fortsat er sikkert at bruge.
- b) **Foretag aldrig service på beskadigede batteripakker.** Service af batteripakker bør kun udføres af producenten eller autoriserede serviceudbydere.

EKSTRA SIKKERHEDSANVISNINGER

- **Hold værktøjet med begge hænder ved de tilsigtede håndtag.** Tab af kontrol kan resultere i personskader.
- **Sørg for tilstrækkelig ventilation ved blanding af brændbare materialer for at undgå en farlig atmosfære.** Damp, der bliver udviklet, kan blive indåndet eller kan blive antændt af de gnister, som værktøjet producerer.
- **Bland ikke mad.** Elværktøj og dets tilbehør er ikke beregnet til behandling af mad.
- **Ledningen skal holdes væk fra arbejdsområdet.** Ledningen kan blive viklet ind af blandedekurven.
- **Sørg for, at blandebeholderen placeres i en fast og sikker position.** En beholder, der ikke er ordentligt sikret, kan bevæge sig uventet.
- **Sørg for, at der ikke sprøjter væske mod elværktøjets hus.** Væske, der er trængt ind i elværktøjet, kan forårsage skader og føre til elektrisk stød.
- **Følg instruktionerne og advarslerne for materialet, der skal blandes.** Materiale, der skal blandes, kan være skadeligt.
- **Hvis elværktøjet falder ned i det materiale, der skal blandes, skal du straks trække stikket ud og få elværktøjet kontrolleret af en kvalificeret reparatør.** Hvis du rækker ind i spanden, mens værktøjet stadig er tilsluttet, kan det føre til stød.
- **Ræk ikke ind i blandebeholderen med dine hænder, og indsæt ikke andre genstande i den, mens du blander.** Kontakt med blandedekurven

kan føre til alvorlig personskade.

- **Start og kør kun værktøjet ned i blandebeholderen.** Blandekurven kan blive bøjet og rotere på en ukontrolleret måde.

SIKKERHEDSADVARSLER FOR BATTERI

- a) **Åbn ikke batteriet.** Fare for kortslutning.
- b) **Beskyt batteriet mod varme, f.eks. mod kontinuerligt intenst sollys, brand, vand og fugt.** Fare for eksplosion.
- c) **I tilfælde af skade og forkert brug af batteriet, kan der blive udsendt dampe. Udluft området, og søg lægehjælp i tilfælde af klager.** Dampene kan irritere åndedrætssystemet.
- d) **Brug kun batteriet sammen med dit VONROC-produkt.** Denne foranstaltning alene beskytter batteriet mod farlig overbelastning.
- e) **Batteriet kan blive beskadiget af spidse genstande såsom søm eller skruetrækkere eller af eksternt påført kraft.** Der kan opstå en intern kortslutning, og batteriet kan brænde, ryge, eksplodere eller bliver overophedet.

VEDRØRENDE OPLADEREN

Tilsigtet brug

Oplad kun CD801AA og CD803AA genopladelig type Batteripakker med opladeren. Andre typer batterier kan sprænge og dermed forårsage personskader og beskadigelser.

- a) **Dette apparat er ikke beregnet til at blive anvendt af personer (herunder børn) med reducerede fysiske, sansemæssige eller mentale evner samt med manglende erfaring eller viden, med mindre de bliver overvåget eller instrueret.**
- b) **Børn skal overvåges, så de ikke leger med apparatet.**
- c) **Oplad ikke batterier, der ikke er genopladelige!**
- d) **Under opladningen skal batterierne anbringes i et område med god udluftning!**

Elektrisk sikkerhed



Kontroller altid, at strømforsyningsens spænding svarer til spændingen på typeskiltet.

- Brug ikke maskinen, hvis strømkablet eller stikket er beskadiget.
- Brug kun forlængerledninger, der passer til maskinens spænding og som har en minimumpå tykkelse på 1.5 mm². Hvis du anvender en kabeltromle, skal kablet altid rulles helt ud.

2. MASKINOPLYSNINGER

Tilsigtet brug

Maskinen er beregnet til blanding af pulveriserede byggematerialer som mørtel, gips, klæbemidler samt opløsningsmiddelfri maling, lak og lignende stoffer. Forkert brug kan beskadige værktøjet.

TEKNISKE SPECIFIKATIONER



Denne vejledning er udarbejdet til forskellige sæt/varenumre. Kontroller det tilsvarende varenummer i nedenstående tabel med specifikationer for den korrekte sammensætning og indholdet af dit sæt.

Model nr.	Batterier inkluderet	Opladere inkluderet
PM506DC	-	-
S_PM506DC	CD801AA	CD802AA
S2_PM506DC	2 x CD801AA	CD802AA
S3_PM506DC	CD803AA	CD802AA

Maskinoplysninger	
Spænding	20V
Hastighed uden last	0-650/min
Værktøjsmontering	M14
Pisker	Ø 120 mm
Vægt	3,6 kg
Lydtrykniveau L_{PA}	77,1 dB(A)
Akustisk effektniveau L_{WA}	88,1 dB(A)
Vibrationsværdi	
Venstre håndtag	3,081 m/s ² , K= 1,5 m/s ²
Højre håndtag	4,314 m/s ² , K= 1,5 m/s ²

Model nr.	CD801AA
Batteritype	Lithium-Ion
Spænding	20V
Kapacitet	2,0 Ah
Anbefalet oplader	CD802AA
Vægt	0,3 kg

Model nr.	CD802AA
Opladerinput	220-240V, 50Hz 0,4A
Opladeroutput	21V 2,5A
Opladningstid 2 Ah batteri	60 minutter
Opladningstid 4 Ah batteri	120 minutter
Anbefalede batterier	CD801AA, CD803AA
Vægt	0,36 kg

Model nr.	CD803AA
Batteritype	Lithium-Ion
Spænding	20V
Kapacitet	4,0 Ah
Anbefalet oplader	CD802AA
Vægt	0,65 kg

Brug kun de følgende batterier af VONROC VPOWER 20V-batteriplatform. Brug af andre batterier kan forårsage personskade eller beskadigelse af værktøjet.

CD801AA 20V, 2Ah Lithium-Ion

CD803AA 20V, 4Ah Lithium-Ion

Den følgende oplader kan bruges til at oplade disse batterier.

CD802AA Hurtig oplader

Batterierne af VONROC VPOWER 20V-batteriplatformen kan udskiftes med alle VONROC VPOWER 20V-batteriplatformsværktøjer.

Vibrationsniveau

Det vibrationsniveau, der er anført bag på denne betjeningsvejledning er målt i henhold til den standardiserede test som anført i EN 60745; den kan benyttes til at sammenligne to stykker værktøj og som en foreløbig bedømmelse af udsættelsen for vibrationer, når værktøjet anvendes til de nævnte formål:

- anvendes værktøjet til andre formål eller med andet eller dårligt vedligeholdet tilbehør, kan dette øge udsættelsesniveauet betydeligt;
- de tidsrum, hvor værktøjet er slukket, eller hvor det kører uden reelt at udføre noget arbejde, kan reducere udsættelsesniveauet betydeligt.

Beskyt dig selv imod virkningerne af vibrationer ved at vedligeholde værktøjet og dets tilbehør, ved at holde dine hænder varme og ved at organisere dine arbejdsmønstre.

BESKRIVELSE

Tallene i den følgende tekst korresponderer med afbildningen på side 2-3.

1. Batteriholder
2. Håndtag
3. Ventilationsåbninger
4. Værktøjsholder
5. Piskeskaft
6. Piskepaddel
7. Tænd/sluk-kontakt
8. Låseknop
9. Knap til hastighedsjustering
10. Skruenøgle
11. Batteri
12. Knap til oplåsning af batteri
13. Knap til LED-indikatorer for batteri
14. LED-indikatorer for batteri
15. Oplader
16. LED-indikatorer for oplader

3. SAMLING



Tag batteriet ud, inden der udføres arbejde på el-værktøjet.



Batteriet skal oplades inden første brug.

Sådan sættes batteriet ind i maskinen (fig. D)



Sørg for, at batteriets yderside er ren og tør, inden du forbinder det til opladeren eller maskinen.

1. Sæt batteriet (11) ind i maskinens base, som vist på Fig. D.
2. Skub batteriet længere frem, indtil det klikker på plads.

Sådan fjernes batteriet fra maskinen (fig. D)

1. Hold knappen til oplåsning af batteriet (12) nede.
2. Skub batteriet tilbage ud af maskinen, som vist på Fig. D.

Kontrol af batteriets opladestatus (fig. E)

- Tryk kortvarigt på knappen (13) på batteriet for at kontrollere batteriets opladningsstatus.
- Batteriet har 3 lamper, der angiver opladningsniveauet. Jo flere lamper, der lyser, des mere opladning er der tilbage i batteriet.
- Når lamperne ikke lyser, betyder det, at batteriet er tomt og skal oplades med det samme.

Opladning af batteriet med opladeren (fig. E)

1. Tag batteriet (11) ud af maskinen.
2. Vend batteriet (12) på hovedet, og skub det ind i opladeren (15), som vist på Fig. E.
3. Skub batteriet, indtil det er helt inde i åbningen.
4. Sæt opladerstikket i en stikkontakt, og vent et øjeblik. LED-indikatorerne på opladeren (14) lyser og viser opladerens status.

Opladeren har 2 LED-indikatorer (16), som indikerer opladningsprocessens status:

Rød LED status	Grøn LED status	Opladerstatus
Slukket	Slukket	Ingen strøm
Slukket	Tændt	Standby-tilstand: - Intet batteri isat, eller - Batteri isat, men opladningen blev afsluttet
Tændt	Slukket	Batteriopladning i gang

- Det kan tage op til 60 minutter at lade 2 Ah batteriet helt op.
- Det kan tage op til 120 minutter at lade 4 Ah batteriet helt op.

Når batteriet er ladet helt op, skal du tage opladerens stik ud af kontakten og fjerne batteriet fra opladeren.



Når maskinen ikke bruges gennem en længere periode, er det bedst at opbevare batteriet i opladet tilstand.

Montering af pisker i to dele (Fig. A)

1. Skru piskeskaftet (5) på piskepaddlen (6).
2. Stram begge dele godt.

Udskiftning af piskeren (Fig. C)



Tag altid batteriet ud, inden du monterer tilbehør.

Brug kun piskere i overensstemmelse med den specificerede diameter. Brug altid en pisker, der er velegnet til det materiale, der skal blandes/omrøres. Brug af en ikke velegnet blandestang kan unødvendigt overbelaste både maskinen og dig selv.

Montering af piskeren

1. Skru den monterede pisker ind i værktøjsholderen (4) med uret så langt som muligt.
2. Stram piskeren på værktøjsholderen med de medfølgende skruenøgler. For at gøre dette skal du holde værktøjsholderen (4) med en af de medfølgende skruenøgler (10) og bruge den anden skruenøgle til at stramme den monterede pisker.

Fjernelse af piskeren

1. Løsn den monterede pisker med de medfølgende skruenøgler (10). For at gøre dette skal du holde værktøjsholderen (4) med en af de medfølgende skruenøgler (10) og bruge den anden skruenøgle til at løsne den monterede pisker.
2. Løsn piskeren fra værktøjsholderen (4) mod urets retning.

4. BETJENING

Tænd og sluk (fig. B)

Tænd/sluk-kontakten (7) bruges til at aktivere maskinen og justere hastigheden.

- Start maskinen ved at trykke og holde på låseknappen (8) og trykke på tænd/sluk-kontakten (7).
- Stop maskinen ved at slippe tænd/sluk-kontakten (7).

Hastighedsjustering (fig. B)

Den påkrævede hastighed kan justeres ved hjælp af knappen til hastighedsjustering (9). Under drift kan rotationshastigheden også justeres.

- For at øge hastigheden skal du dreje hastighedsindstillingsknappen (9) med uret.
- For at reducere hastigheden skal du dreje hastighedsindstillingsknappen (9) mod uret.

De påkrævede hastigheder afhænger af materialet og kan afgøres gennem praktisk test.

Optimal brug

- For materialer med lav viskositet, f.eks. emulsionsmaling, lak, klæbemiddel, fugemasse og cementslam anbefales det at anvende en rørepisker med en såkaldt venstre spiral til optimal brug. Med en venstre spiral bevæges materialet oppefra og ned, og rørepiskeren skubbes opad. Materialer med lav viskositet blandes på en måde, der minimerer stænk, så det anbefales at bruge en lav hastighed.
- For materialer med høj viskositet, f.eks. gips,

beton, cement, afretningsmasse, fyldstof og epoxyharpiks, anbefales det at anvende en rørepisker med en såkaldt højre spiral til optimal brug. Med en højre spiral bevæges materialet fra bunden opad, og rørepiskeren trækkes nedad (arbejder sig ind i blandingen). Materialer med høj viskositet blandes grundigt, så det anbefales at bruge en høj hastighed.

- For optimale resultater skal du bevæge el-værktøjet i en op- og nedadgående bevægelse, mens du blander.
- Det anbefales at rengøre piskeren efter brug, f.eks. ved at røre piskeren i en spand fyldt med vand.

5. VEDLIGEHOLDELSE



Før rengøring og vedligeholdelse skal du altid slukke for maskinen og fjerne batteripakken fra maskinen.

Rengør maskinbeklædningerne regelmæssigt med en blød klud, helst efter hver anvendelse. Sørg for, at der ikke er støv eller snavs i ventilationsåbningerne (3). Fjern snavs, der sidder meget godt fast, med en blød klud, der er fugtet i sæbevand. Brug ikke opløsningsmidler, som f.eks. benzin, sprit, ammoniak osv. Kemikalier som disse beskadiger de syntetiske komponenter.

MILJØ



Defekte og/eller bortskaffede elektriske og elektroniske apparater skal afleveres på en passende genbrugsstation.

Kun for EU-lande

Smid ikke el-værktøjer ud sammen med almindeligt affald. I henhold til de europæiske direktiver 2012/19/EU for elektrisk og elektronisk udstyr og er implementeret i henhold til nationale rettigheder, el-værktøj som ikke længere er anvendelig skal indsamles separat og genbruges på en miljøvenlig måde.

GARANTIVILKÅR

VONROC produkter er udviklet efter de højeste kvalitetsstandarder og er garanteret fri for mangler i såvel materialer som udførelse i den lovpligtige periode, der starter fra datoen for det oprindelige

køb. Skulle produktet udvikle nogen fejl i løbet af denne periode på grund af defekte materialer og/eller fabrikationsfejl, så kontakt VONROC direkte.

De følgende forhold er udelukket fra denne garanti:

- Reparationer og eller rettelser er blevet foretaget eller forsøgt foretaget på maskinen af uautoriserede servicecentre.
- Normal slitage.
- Værktøjet har været misligholdt, misbrugt eller vedligeholdt forkert.
- Ikke originale reservedele er blevet anvendt.

Dette udgør den eneste garanti fra virksomheden enten udtrykt eller underforstået. Der er ingen andre garantier udtrykt eller underforstået, som strækker sig ud over forsiden heraf, heri, herunder underforståede garantier for salgbarhed og egnethed til et bestemt formål. VONROC vil under ingen omstændigheder være ansvarlig for hændelige skader eller følgeskader. Forhandlernes afhjælpningsmidler vil være begrænsede til reparation eller udskiftning af fejlbehæftede enheder eller dele.

Produktet og brugermanualen kan ændres. Specifikationer kan ændres uden forudgående varsel.

1. INSTRUKCJE BEZPIECZEŃSTWA

Należy zapoznać się z ostrzeżeniami dotyczącymi bezpieczeństwa, dodatkowymi ostrzeżeniami i instrukcjami. Niestosowanie się do ostrzeżeń dotyczących bezpieczeństwa może zakończyć się porażeniem przez prąd, pożarem i/lub poważnymi obrażeniami ciała. Ostrzeżenia dotyczące bezpieczeństwa oraz instrukcję należy przechowywać w dostępnym miejscu.

W podręczniku użytkownika urządzenia lub na urządzeniu umieszczono następujące symbole:



Przeczytać instrukcję obsługi.



W razie nie przestrzegania danej instrukcji obsługi może powstać ryzyko zranienia oraz zginięcia personelu lub uszkodzenia narzędzia.



Zmienna predkosc elektroniczna.



*Używać gogli ochronnych.
Stosować osłonę dla uszu.*



Noś maskę przeciwpylową.



Miniaturowy topik z opóźnieniem czasowym.



Maks. temperatura 45 °C.



Nie wrzucać akumulatora do ognia.



Nie wrzucać akumulatora do wody.



Zbiórka selektywna akumulatora litowo-jonowego.



Produkt spełnia wymogi odpowiednich norm bezpieczeństwa podanych w dyrektywach UE.

OGÓLNE ZALECENIA DOTYCZĄCE BEZPIECZEŃSTWA



UWAGA! Przeczytać wszystkie ostrzeżenia dotyczące bezpieczeństwa i wszystkie instrukcje. Nieprzestrzeganie wszystkich poniższych instrukcji może być przyczyną porażenia prądem, pożaru i/lub poważnych obrażeń.

Zachowaj poniższe instrukcje.

Termin „elektronarzędzia akumulatorowe” we wszystkich ostrzeżeniach zamieszczonych poniżej odnosi się do elektronarzędzi akumulatorowych zasilanych sieciowo (przewodowych) lub elektronarzędzi akumulatorowych działających na baterie (beprzewodowych).

1) Obszar roboczy

- a) **Obszar roboczy należy utrzymywać w czystości.** Powinien on być dobrze oświetlony. Nieład i złe oświetlenie mogą z łatwością doprowadzić do wypadku.
- b) **Nie korzystaj z elektronarzędzi akumulatorowych w warunkach, w których łatwo może dojść do wybuchu, np. w obecności łatwopalnych cieczy, gazów lub pyłu.** Podczas pracy elektronarzędzi akumulatorowych powstają iskry, które mogą doprowadzić do zapłonu pyłu lub oparów.
- c) **Dzieci i inne osoby postronne powinny pozostać w bezpiecznej odległości od pracującego urządzenia.** Rozproszenie uwagi może spowodować utratę kontroli nad urządzeniem.

2) Bezpieczeństwo związane z elektrycznością

- a) **Wtyczki elektronarzędzi akumulatorowych muszą być odpowiednie do danego gniazda. Pod żadnym pozorem nie należy modyfikować wtyczki w jakikolwiek sposób. Nie należy używać adapterów, które uziemiają elektronarzędzia akumulatorowe.** Stosowanie wtyczek nie poddanych modyfikacjom oraz odpowiednich gniazd zmniejsza ryzyko porażenia prądem.
- b) **Należy unikać bezpośredniego kontaktu fizycznego z powierzchniami uziemionymi, takimi jak rury, grzejniki, kuchenki, lodówki.** Ryzyko porażenia prądem jest większe, jeśli ciało osoby obsługującej urządzenie jest uziemione.
- c) **Nie należy wystawiać elektronarzędzi akumulatorowych na działanie deszczu lub wilgoci.** Dostanie się wody do wnętrza elektronarzędzia akumulatorowego zwiększy ryzyko porażenia prądem.
- d) **Nie należy używać przewodu w niewłaściwy sposób. Pod żadnym pozorem nie należy wykorzystywać przewodu do przenoszenia lub ciągnięcia elektronarzędzia akumulatorowego, ani do jego odłączania od sieci. Przewodu nie należy wystawiać na działanie ciepła, smarów. Powinien on znajdować się w bezpiecznej odległości od ostrych krawędzi i części ruchomych.** Przewody uszkodzone lub poplątane zwiększają

ryzyko porażenia prądem.

- e) **Podczas korzystania z elektronarzędzia akumulatorowego na wolnym powietrzu, należy używać przewodu przedłużacza przystosowanego do użytku na zewnątrz.** Używanie przewodu nadającego się do użytku na wolnym powietrzu zmniejsza ryzyko porażenia prądem.
 - f) **Jeśli obsługa elektronarzędzia w wilgotnym miejscu jest nieunikniona, użyć zasilania wyposażonego w wyłącznik różnicowo-prądowy.** Użycie wyłącznika różnicowo-prądowego zmniejsza ryzyko porażenia prądem.
- #### 3) Bezpieczeństwo osoby obsługującej urządzenie
- a) **Przez cały czas należy mieć się na baczności, uważać na to, co się robi, a w czasie obsługi elektronarzędzia akumulatorowego postępować mając na uwadze zdrowy rozsądek. Urządzenia nie powinny obsługiwać osoby zmęczone lub będące pod wpływem narkotyków, alkoholu lub leków.** Chwila nieuwagi w czasie obsługi elektronarzędzi akumulatorowych może być przyczyną powstania poważnych obrażeń ciała.
 - b) **Należy korzystać ze sprzętu ochronnego oraz zawsze nosić okulary ochronne.** Sprzęt ochronny, jak na przykład maska przeciwpyłowa, antypoślizgowe obuwie ochronne, kask lub słuchawki ochronne używany we właściwych sytuacjach pozwoli na zmniejszenie ryzyka obrażeń ciała.
 - c) **Unikać niezamierzonego uruchomienia. Przed podłączeniem urządzenia do sieci, zawsze sprawdzić, czy przełącznik znajduje się w pozycji „wyłączony”.** Przenoszenie elektronarzędzi z palcem na przełączniku lub włączonych elektronarzędzi z przełącznikiem w położeniu włączenia jest bardzo niebezpieczne i może powodować wypadki.
 - d) **Przed włączeniem elektronarzędzia akumulatorowego należy usunąć z niego wszystkie klucze nastawcze lub maszynowe.** Pozostawienie klucza zamocowanego na jednej z części obrotowych urządzenia może spowodować powstanie obrażeń ciała.
 - e) **Nie należy sięgać ponad urządzeniem. Przez cały czas należy zachować odpowiednią równowagę i zapewnić odpowiednie oparcie dla stóp.** Pozwoli to na lepsze kontrolowanie urządzenia w nieoczekiwanych sytuacjach.
 - f) **Należy nosić odpowiednie ubranie. Do pracy**

z urządzeniem nie wkładać luźnych ubrań ani biżuterii. Włosy, ubranie i rękawiczki trzymać z dala od części ruchomych. Luźne części ubrania, biżuteria lub długie włosy mogą zostać wciągnięte przez części ruchome.

- g) **Jeśli w urządzeniu przewidziano elementy służące do odprowadzania i zbierania pyłu, należy sprawdzić, czy są podłączone, i czy działają we właściwy sposób.** Korzystanie z tego typu elementów pozwala ograniczyć ryzyko związane z wydzielaniem pyłu podczas pracy urządzenia.
 - h) **Nie zezwalać na to, aby rutyna związana z częstym korzystaniem z narzędzi powodowała nadmierną pewność siebie i ignorowanie zasad bezpiecznego korzystania z narzędzi.** Nieodpowiedzialne działanie może spowodować poważne obrażenia ciała w ułamku sekundy.
- 4) Obsługa i konserwacja elektronarzędzi akumulatorowych**
- a) **Urządzenia nie należy przeciążać. Należy korzystać z narzędzia odpowiedniego do danego typu pracy.** Odpowiednio dobrane urządzenie pozwoli na lepsze i bezpieczniejsze wykonanie pracy, we właściwym dla urządzenia tempie.
 - b) **Z elektronarzędzia akumulatorowego nie należy korzystać, jeśli nie można go włączyć i wyłączyć przy pomocy przełącznika.** Urządzenie, którego nie można kontrolować używając przełącznika jest niebezpieczne i powinno być oddane do naprawy.
 - c) **Przed przystąpieniem do regulowania elektronarzędzi akumulatorowych, wymiany akcesoriów lub przygotowywania urządzeń do okresu przechowywania, należy odłączyć wtyczkę od źródła zasilania.** Tego typu środki ostrożności zmniejszają ryzyko przypadkowego uruchomienia urządzenia.
 - d) **Nieczynne elektronarzędzia akumulatorowe należy przechowywać poza zasięgiem dzieci. Nie należy pozwolić, aby osoby nie znające urządzenia lub niniejszych instrukcji obsługi używały urządzenia.** Elektronarzędzia akumulatorowe w rękach niekompetentnych użytkowników stanowią zagrożenie.
 - e) **Elektronarzędzia akumulatorowe należy utrzymywać w dobrym stanie technicznym. Należy sprawdzać, czy części ruchome są właściwie założone, i czy się nie zacinają. Należy również sprawdzać, czy jakieś części nie są uszkodzone oraz sprawdzać wszelkie inne elementy,**

które mogą wpłynąć na pracę urządzeń. Jeśli urządzenie jest uszkodzone, przed przystąpieniem do jego użytkowania, należy je naprawić. Częstą przyczyną wypadków jest zły stan techniczny urządzeń.

- f) **Narzędzia służące do cięcia powinny być naostrzone i utrzymywane w czystości.** Jeśli narzędzia służące do cięcia, które posiadają ostre krawędzie tnące, są właściwie konserwowane, istnieje mniejsze prawdopodobieństwo ich zacinania się. Ponadto, łatwiej je kontrolować.
 - g) **Elektronarzędzia akumulatorowe, akcesoriów, nakładek, itp. należy używać zgodnie z niniejszymi instrukcjami oraz w sposób właściwy dla danego rodzaju urządzenia, z uwzględnieniem warunków pracy oraz jej rodzaju.** Używanie urządzenia niezgodnie z przeznaczeniem może prowadzić do powstania sytuacji niebezpiecznych.
 - h) **Uchwyty należy utrzymywać w stanie suchym, czystym i niezabrudzonym olejem lub smarem.** Śliskie uchwyty i powierzchnie do chwytania nie pozwalają na bezpieczne obchodzenie się z narzędziem i panowanie nad nim w nieoczekiwanych sytuacjach.
- 5) Użytkowanie i konserwacja urządzenia zasilanego akumulatorami**
- a) **Ładować tylko przy użyciu ładowarki określonej przez producenta.** Ładowarka przewidziana dla jednego rodzaju akumulatorów stwarza ryzyko pożaru w przypadku użycia jej z innym zestawem akumulatorów.
 - b) **Należy używać jedynie akumulatorów przeznaczonych dla danego urządzenia.** Użycie innych akumulatorów stwarza ryzyko wystąpienia obrażeń ciała lub pożaru.
 - c) **Kiedy akumulatorki nie są używane, należy przechowywać je z dala od przedmiotów metalowych, takich jak spinacze do papieru, monety, klucze, gwoździe, śruby lub inne niewielkie przedmioty metalowe, które mogłyby spowodować zwarcie pomiędzy stykami.** Zwarcie styków akumulatorka może spowodować pożar.
 - d) **W przypadku przeciężenia z akumulatorka może wycieknąć płyn; nie należy go dotykać. W razie przypadkowego kontaktu przemyć skórę wodą. W przypadku dostania się płynu do oczu należy skontaktować się z lekarzem.** Płyn z akumulatorka może powodować podrażnienia lub oparzenia.
 - e) **Nie używać uszkodzonego ani zmodyfikowa-**

- nego akumulatora lub narzędzia.** Uszkodzone lub zmodyfikowane akumulatory mogą działać w sposób nieoczekiwany, co może powodować pożar, wybuch lub ryzyko obrażeń ciała.
- f) **Nie wystawiać akumulatora ani narzędzia na działanie płomienia lub zbyt wysokiej temperatury.** Narażenie na działanie płomienia lub temperatury powyżej 130°C może spowodować wybuch. UWAGA Temperaturę „130 °C“ można zastąpić temperaturą „265 °F“.
- g) **Przestrzegać wszystkich instrukcji ładowania i nie ładować akumulatora ani narzędzia poza zakresem temperatury podanym w instrukcji.** Nieprawidłowe ładowanie lub ładowanie w temperaturze poza podanym zakresem może spowodować uszkodzenie akumulatora i zwiększyć ryzyko pożaru.
- 6) **Serwis**
- a) **Zlecać serwisowanie elektronarzędzie wykwalifikowanemu technikowi stosującymi jedynie części zamienne identyczne z oryginalnymi.** Zapewni to zachowanie bezpieczeństwa elektronarzędzia.
- b) **Nigdy nie serwisować uszkodzonych akumulatorów.** Serwisowanie akumulatorów może przeprowadzać wyłącznie producent lub autoryzowany serwis.

DODATKOWE INSTRUKCJE BEZPIECZEŃSTWA

- **Trzymać narzędzia obiema rękami za przeznaczone do tego uchwyty.** Utrata panowania nad narzędziem może powodować obrażenia ciała.
- **Zapewnić wystarczającą wentylację podczas mieszania materiałów łatwopalnych, aby uniknąć wytworzenia niebezpiecznej atmosfery.** Może dojść do przedostania się powstających oparów do układu oddechowego lub ich zapłonu wywołanego przez iskry wytwarzane przez elektronarzędzie.
- **Nie mieszać żywności.** Elektronarzędzia i ich akcesoria nie są przeznaczone do przetwarzania żywności.
- **Trzymać kabel zasilający z dala od miejsca pracy.** Kabel może się wplątać w mieszadło.
- **Dopilnować, aby pojemnik do mieszania stał stabilnie i pewnie.** Niezabezpieczony pojemnik może poruszać się w sposób nieoczekiwany.
- **Dopilnować, aby na obudowę elektronarzędzia nie przyskał żaden płyn.** Jeśli do wnętrza narzędzia przedostanie się ciecz, może dojść do

uszkodzeń i porażenia prądem.

- **Przestrzegać instrukcji i ostrzeżeń dotyczących materiału do mieszania.** Mieszany materiał może być szkodliwy.
- **Jeśli elektronarzędzie wpadnie w mieszany materiał, niezwłocznie odłączyć wtyczkę narzędzia z gniazdka i zlecić kontrolę narzędzia w autoryzowanym serwisie.** Sięgnięcie do wiadra, gdy narzędzie jest nadal podłączone do zasilania, może prowadzić do porażenia prądem.
- **Nie sięgać do pojemnika do mieszania dłońmi ani nie wkładać do niego żadnych przedmiotów podczas mieszania.** Styczność z mieszadłem może spowodować poważne obrażenia ciała.
- **Uruchamiać i wyłączać narzędzie tylko wtedy, gdy znajduje się w pojemniku do mieszania.** Mieszadło może zgąć się lub wirować w sposób niekontrolowany.

OSTRZEŻENIA DOTYCZĄCE AKUMULATORA

- a) **Nie otwierać akumulatora.** Ryzyko zwarcia.
- b) **Chronić akumulator przed gorącym, np. długotrwałym silnym nasłonecznieniem, ogniem, wodą i wilgocią.** Ryzyko wybuchu.
- c) **W razie uszkodzenia i błędnego użytkowania akumulatora, może dojść do emisji oparów. Przewietrzyć miejsce emisji i uzyskać pomoc lekarską w razie dolegliwości.** Opary mogą powodować podrażnienie układu oddechowego.
- d) **Używać akumulatora wyłącznie w połączeniu z produktem marki Vonroc.** Takie postępowanie chroni akumulator przed niebezpiecznym przeciążeniem.
- e) **Akumulator może zostać uszkodzony przez ostro zakończony przedmiot, jak gwoździe lub wrętki, albo przez uderzenie z zewnątrz.** Może dojść do wewnętrznego zwarcia i akumulator może zacząć się palić, dymić, wybuchnąć lub przegrzać się.

OSTRZEŻENIA DOTYCZĄCE ŁADOWARKI

Przeznaczenie

Za pomocą ładowarki ładować wyłącznie akumulatory typu CD801AA i CD803AA. Baterie mogą pękać, powodując obrażenia ciała i uszkodzenia mienia.

- a) **Urządzenie nie jest przeznaczone do użytku przez osoby (w tym dzieci) o ograniczonych zdolnościach fizycznych, czuciowych lub umysłowych albo nie posiadające doświadczenia i wiedzy, chyba że zostały one odpowiednio poinstruowane i są pod nadzorem.**

- b) **Dzieciom nie wolno pozwalać bawić się urządzeniem.**
- c) **Nie ładować zwykłych baterii!**
- d) **Podczas ładowania akumulatory muszą znajdować się w dobrze wentylowanym miejscu!**

Bezpieczeństwo elektryczne



Zawsze odłączać narzędzie od zasilania sieciowego przed rozpoczęciem przeprowadzania jakichkolwiek prac konserwacyjnych.

- Nie używać urządzenia, jeśli przewód zasilający lub wtyczka jest uszkodzona.
- Używać wyłącznie takich przedłużaczy, które są odpowiednie dla mocy znamionowej urządzenia, o średnicy minimum 1,5 mm². W przypadku używania przedłużacza na szpuli, całkowicie rozwinąć przewód.

2. INFORMACJE O MASZYNIE

Przeznaczenie

Narzędzie jest przeznaczone do mieszania sproszkowanych materiałów budowlanych, jak zaprawa murarska, tynk, kleje oraz niezawierających rozpuszczalników farb, lakierów itp. substancji. Niewłaściwa eksploatacja może doprowadzić do uszkodzenia narzędzia. Niewłaściwa eksploatacja może doprowadzić do uszkodzenia narzędzia.

DANE TECHNICZNE



Niniejsza instrukcja dotyczy różnych zestawów/numerów artykułów. Sprawdzić odpowiedni numer artykułu w poniższej tabeli, aby uzyskać informacje na temat zawartości zestawu.

Nr. modelu	Baterie w komplecie	Ładowarka w komplecie
PM506DC	-	-
S_PM506DC	CD801AA	CD802AA
S2_PM506DC	2 x CD801AA	CD802AA
S3_PM506DC	CD803AA	CD802AA

Informacje o maszynie	
Napięcie	20V
Prędkość bez obciążenia	0-650/min
Uchwyt narzędziowy	M14
Mieszadła	Ø 120 mm
Ciężar	3,6 kg
Ciśnienie akustyczne L _{PA}	77,1 dB(A)
Moc akustyczna L _{WA}	88,1 dB(A)
Wibracje	
Lewy uchwyt	3,081 m/s ² , K = 1,5 m/s ²
Prawy uchwyt	4,314 m/s ² , K = 1,5 m/s ²

Nr. modelu	CD801AA
Typ akumulatora	Litowo-jonowy
Napięcie	20V
Pojemność	2,0 Ah
Zalecana ładowarka	CD802AA
Ciężar	0,3 kg

Nr. modelu	CD802AA
Parametry wejściowe ładowarki	220-240V, 50Hz 0,4A
Parametry wyjściowe ładowarki	21V 2,5A
Czas ładowania akumulatora 2 Ah	60 minut
Czas ładowania akumulatora 4 Ah	120 minut
Zalecane akumulatory	CD801AA, CD803AA
Ciężar	0,36 kg

Nr. modelu	CD803AA
Typ akumulatora	Litowo-jonowy
Napięcie	20V
Pojemność	4,0 Ah
Zalecana ładowarka	CD802AA
Ciężar	0,65 kg

Używać wyłącznie następujących akumulatorów z platformy akumulatorów VONROC VPOWER 20 V. Użycie innych akumulatorów może spowodować poważne obrażenia ciała lub uszkodzenie narzędzia.
 CD801AA 20 V, 2 Ah Litowo-jonowy
 CD803AA 20 V, 4 Ah Litowo-jonowy

Następującej ładowarki można używać do ładowania tych akumulatorów.

CD802AA Szybka ładowarka

Akumulatory należące do platformy VONROC VPOWER 20 V można stosować we wszystkich narzędziach z platformy VONROC VPOWER 20 V.

Poziom wibracji

Poziom emisji wibracji podany na końcu tej instrukcji został zmierzony zgodnie z testem standaryzowanym podanym w EN 60745; może służyć do porównania jednego narzędzia z innym i jako ocena wstępna narażenia na wibracje w trakcie używania narzędzia do wymienionych zadań

- Używanie narzędzia do innych zadań, lub z innymi albo źle utrzymanymi akcesoriami, może znacząco zwiększyć poziom narażenia
- Przypadki, kiedy narzędzie jest wyłączone lub jest czynne, ale aktualnie nie wykonuje zadania, mogą znacząco zmniejszyć poziom narażenia

Należy chronić się przed skutkami wibracji przez konserwację narzędzia i jego akcesoriów, zakładanie rękawic i właściwą organizację pracy

OPIS

Liczby w tekście odnoszą się do rysunków na stronach 2-3.

1. Uchwyt baterii
2. Uchwyt
3. Otwory wentylacyjne
4. Uchwyt narzędziowy
5. Trzon mieszadła
6. Koszyk mieszadła
7. Przełącznik wł./wył.
8. Przycisk wyłączenia blokady
9. Pokrętko regulacji prędkości
10. Klucz
11. Akumulator
12. Przycisk odblokowania akumulatora
13. Przycisk diod LED akumulatora
14. Diody LED akumulatora
15. Ładowarka
16. Diody LED ładowarki

3. MONTAŻ



Przed rozpoczęciem jakichkolwiek prac dotyczących elektronarzędzia, wyjąć akumulator.



Akumulator należy naładować przed pierwszym użyciem.

Wkładanie akumulatora do narzędzia (Rys. D)



Dopilnować, aby zewnętrzna powierzchnia akumulatora była czysta i sucha przed podłączeniem do ładowarki lub narzędzia.

1. Włożyć akumulator (11) w podstawę narzędzia, zgodnie z rys. D.
2. Wcisnąć akumulator dalej, aż zatrzaśnie się w poprawnym położeniu.

Wymijowanie akumulatora z narzędzia (Rys. D)

1. Nacisnąć przycisk odblokowania akumulatora (12).
2. Wyjąć akumulator z narzędzia zgodnie z rys. D.

Sprawdzanie stanu naładowania akumulatora (Rys. E)

- Aby sprawdzić stan naładowania akumulatora, wcisnąć przycisk (13) na akumulatorze na chwilę.
- Akumulator ma 3 diody informujące o poziomie naładowania. Im więcej świeci diod, tym wyższy poziom naładowania akumulatora.
- Jeśli diody nie świecą, oznacza to, że akumulator jest rozładowany i wymaga niezwłocznego naładowania.

Ładowanie akumulatora (ładowarką) (Rys. E)

1. Wyjąć akumulator (11) z narzędzia.
2. Ustawić akumulator (11) spodem do góry i wsunąć go na ładowarkę (15) zgodnie z rys. E.
3. Wcisnąć akumulator do oporu do gniazda.
4. Podłączyć ładowarkę do gniazdka i poczekać chwilę. Dioda LED na Akumulator (14) zaświeci się, informując o stanie ładowania.

Akumulator jest wyposażona w 2 diodę LED (16), informującą o stanie procesu ładowania:

Stan czerwonej diody LED	Stan zielonej diody LED	Stan ładowarki
Wył.	Wył.	Brak zasilania
Wył.	Wł.	Tryb gotowości: - Nie włożono akumulatora lub - Włożono akumulator, ale ładowanie zostało zakończone
Wł.	Wył.	Ładowanie akumulatora w toku

- Całkowite naładowanie akumulatora 2Ah może trwać do 60 minut.
- Całkowite naładowanie akumulatora 4Ah może trwać do 120 minut.

Po całkowitym naładowaniu akumulatora wyjąć wtyczkę ładowarki z gniazdka i wyjąć akumulator z ładowarki.



Kiedy narzędzie nie jest używane przez długi okres, najlepiej przechowywać akumulator w stanie naładowanym.

Montaż mieszadła dwuczęściowego (Fig. A)

1. Nakręcić trzon mieszadła (5) na koszyk mieszadła (6).
2. Mocno dokręcić obie części.

Wymiana mieszadła (Fig. C)



Zawsze wyjmować akumulator przed zamocowaniem akcesorium.

Używać tylko mieszadła o podanej średnicy. Zawsze używać tylko mieszadła dopasowanego do materiału do mieszania. Użycie nieodpowiedniego mieszadła może spowodować przeciążenie maszyny i użytkownika.

Montaż mieszadła

1. Wkręcić zmontowane mieszadło w uchwyt narzędziowy (4) przeciwnie do wskazówek zegara do oporu.
2. Dokręcić mieszadło w narzędziu za pomocą dołączonych kluczy. Aby to zrobić, trzymać

uchwyt narzędziowy (4) jednym z dołączonych kluczy (10), a następnie dokręcić zmontowane mieszadło drugim kluczem.

Demontaż mieszadła

1. Poluzować zmontowane mieszadło dołączonymi do zestawu kluczami (10). Aby to zrobić, trzymać uchwyt narzędziowy (4) jednym z dołączonych kluczy (10), a następnie poluzować zmontowane mieszadło drugim kluczem.
2. Wykręcić mieszadło z uchwytu narzędziowego (4) przeciwnie do wskazówek zegara.

4. OBSŁUGA

Włączanie i wyłączanie (Fig. B)

Włącznik (7) służy do włączania narzędzia i regulacji prędkości.

- Aby włączyć maszynę, wcisnąć i przytrzymać przycisk wyłączania blokady (8) i wcisnąć włącznik (7).
- Aby zatrzymać maszynę, zwolnić włącznik (7).

Regulacja prędkości (Rys. B)

Żądaną prędkość można ustawić za pomocą pokrętła regulacji prędkości (9). Prędkość można regulować również podczas pracy narzędzia.

- Aby zwiększyć prędkość, obrócić pokrętło regulacji prędkości (9) zgodnie ze wskazówkami zegara.
- Aby zmniejszyć prędkość, obrócić pokrętło regulacji prędkości (9) przeciwnie do wskazówek zegara.

Wymagana prędkość zależy od materiału i można ją stwierdzić, wykonując testy praktyczne.

Optymalne stosowanie

- W przypadku materiałów o niskiej lepkości, np. farb emulsyjnych, lakierów, pokostów, klejów, zaprawy i zaczynu cementowego, zaleca się zastosowanie mieszadła ze spiralą lewą w celu uzyskania optymalnych rezultatów. Spirala lewa zapewni przemieszczanie materiału od góry do dołu i popychanie mieszadła do góry. Materiały o niskiej lepkości są wtedy mieszane w sposób ograniczający pryskanie, dlatego zalecamy stosowanie niskiego biegu (biegu 1.).
- W przypadku materiałów o wysokiej lepkości, np. tynku, betonu, cementu, wylewek, wypełniaczy i żywic epoksydowych, zaleca się zastosowanie mieszadła ze spiralą prawą w

celu uzyskania optymalnych rezultatów. Spirala prawa zapewnia przemieszczanie materiału od dołu do góry i pociąganie mieszała w dół (i jego stopniowe wprowadzanie w mieszanę). Materiały o wysokiej lepkości są wtedy dokładnie mieszane, dlatego zalecamy stosowanie wysokiego biegu (biegu 2.).

- Aby uzyskać optymalne rezultaty, przesuwaj narzędzie do góry i w dół podczas mieszania.
- Zalecamy oczyszczenie mieszała po użyciu, np. poprzez użycie go do mieszania w wiadrze wypełnionym wodą.

5. KONSERWACJA



Przed rozpoczęciem czyszczenia i konserwacji zawsze wyłączaj maszynę i wyjmowaj z niej akumulator.

Czyścić obudowę narzędzia regularnie miękką ściereczką, najlepiej po każdym użyciu. Dopiłnować, aby otwory wentylacyjne (3) były wolne od pyłu i zanieczyszczeń. Usuwać uporczywie zanieczyszczenia miękką ściereczką, lekko nawilżoną wodą z mydłem. Nie używać żadnych rozpuszczalników, jak benzyna, alkohol, amoniak itp., gdyż tego typu chemikalia powodują uszkodzenia części z tworzyw sztucznych.

SRODOWISKO



Uszkodzone i/lub niepotrzebne urządzenia elektryczne lub elektroniczne podlegają zbiórce w odpowiednich punktach recyklingu.

Tylko kraje WE

Nie wyrzucać elektronarzędzi wraz z odpadami z gospodarstw domowych. Zgodnie z dyrektywa 2012/19/WE dotycząca zużytych urządzeń elektrycznych i elektronicznych oraz jej wdrożeniem do prawodawstwa krajowego, elektronarzędzia, które już nie nadają się do użytku, podlegają oddzielnej zbiórce oraz utylizacji w sposób przyjazny dla środowiska.

GWARANCJA

Produkty VONROC są wytwarzane zgodnie z najwyższymi standardami jakości i producent udziela gwarancji na wady materiałowe i wady wykonania na okres wymagany prawem, licząc od dnia zaku-

pu. Jeśli wystąpi usterka produktu w tym okresie spowodowana wadą materiałową i/lub wadą wykonania, proszę bezpośrednio skontaktować się ze sprzedawcą VONROC.

Następujące okoliczności powodują unieważnienie gwarancji:

- Przeprowadzono naprawy lub modyfikacje narzędzia w serwisie innym lub autoryzowany lub podjęto ich próby;
- Normalne zużycie nie jest objęte gwarancją;
- Narzędzie było używane niezgodnie z przeznaczeniem, źle z nim się obchodzono lub było nieprawidłowo konserwowane;
- Użyto części zamiennych innych niż oryginalne.

Niniejsza gwarancja to wyłączna gwarancja producenta i nie obowiązują żadne inne wyrażone ani dorozumiane gwarancje. Nie obowiązują żadne inne wyrażone ani dorozumiane gwarancje o zakresie przekraczającym niniejszą gwarancję, co obejmuje dorozumiane gwarancje przydatności do sprzedaży i przydatności do określonego celu. W żadnym przypadku firma VONROC nie ponosi odpowiedzialności za straty przypadkowe lub wynikowe. Zadośćuczynienie sprzedawcy jest ograniczone do naprawy lub wymiany niezgodnych urządzeń lub części.

Produkt i instrukcja obsługi podlegają zmianom. Dane techniczne podlegają zmianom bez uprzedzenia.

1. INSTRUCȚIUNI DE SIGURANȚĂ

Citiți avertizările de siguranță, avertizările de siguranță suplimentare și instrucțiunile. Nerespectarea avertizărilor de siguranță poate cauza producerea de electrocutări, incendii și/sau răniri grave. Păstrați avertizările de siguranță și instrucțiunile pentru referințe viitoare.

În manualul de utilizare sau pe produs se utilizează următoarele simboluri:



Citiți manualul de utilizare.



Indică riscul de rănire personală, pierderea vieții sau deteriorarea sculei în cazul în care nu se respectă instrucțiunile din acest manual.



Controlul vitezei variabile.



*Purtați ochelari de protecție.
Purtați protecții antifonice.*



Purtați o mască antipraf.



Siguranța fuzibilă cu timp de întârziere.



Temperatura maximă 45 °C.



Nu aruncați bateria în foc.



Nu aruncați bateria în apă.



Colectare separată pentru bateria Li-ion.



Produsul este în conformitate cu standardele de siguranță aplicabile din directivele europene.

REGULI GENERALE DE PROTECȚIA MUNCII



AVERTISMENT! Citiți toate avertizările de siguranță și toate instrucțiunile. Respectarea tuturor instrucțiunilor prezentate în cele ce urmează este obligatorie pentru evitarea riscurilor de electrocutare, incendiu și/sau de vătămări grave.

Păstrați aceste instrucțiuni.

Termenul "sculă electrică" ce apare în toate avertismentele de mai jos se referă la scula electrică

alimentată la priză (prin cablu de alimentare) sau la scula electrică alimentată prin acumulatori (fără cablu de alimentare).

1) Spațiul de lucru

- Mențineți spațiul de lucru curat și bine iluminat.** Spațiile de lucru dezordonate și întunecate predispun la accidente.
- Nu utilizați sculele electrice în medii explozive, ca de exemplu în prezența unor materiale inflamabile cum ar fi lichide, gaze sau praf.** Sculele electrice produc scântei, care pot aprinde praful sau vaporii.
- În timpul lucrului cu o sculă electrică, nu lăsați copiii sau privitorii să se apropie.** Micșorarea atenției vă poate face să pierdeți controlul.

2) Securitatea din punct de vedere electric

- Ștecherile sculelor electrice trebuie să se potrivească în priza de alimentare. Nu modificați ștecherul niciodată și în nici un fel. Nu folosiți ștechere de adaptare pentru sculele electrice cu legare la pământ (împământate).** Ștecherile nemodificate și prizele de alimentare corespunzătoare vor reduce riscul de electrocutare.
- Evitați contactul corporal cu suprafețele împământate, cum ar fi conducte, radiatoare, plite sau frigidere.** Există un risc sporit de electrocutare în cazul în care corpul dumneavoastră este legat la pământ.
- Nu expuneți sculele electrice la ploaie sau la umezeală.** În urma intrării apei într-o sculă electrică va crește riscul de electrocutare.
- Nu forțați cablul de alimentare. Nu folosiți niciodată cablul de alimentare pentru transportul, tragerea sau scoaterea din priză a sculei electrice. Țineți cablul de alimentare departe de sursele de căldură, petrol, vârfuri ascuțite sau de piese în mișcare.** Cablurile de alimentare deteriorate sau încălcite duc la creșterea riscului de electrocutare.
- Atunci când folosiți o sculă electrică în exterior, utilizați un prelungitor corespunzător lucrului în exterior.** Utilizarea unui prelungitor corespunzător lucrului în exterior reduce riscul de electrocutare.
- În cazul în care operarea unei unelte electrice într-un spațiu cu umiditate nu poate fi evitată, utilizați o alimentare cu dispozitiv de protecție la curent rezidual (RCD).** Utilizarea unui dispozitiv RCD reduce riscul electrocutării.

3) Securitatea personală

- a) **Atunci când folosiți o sculă electrică fiți concentrat, fiți atent la ceea ce faceți și acționați conform bunului simț. Nu folosiți o sculă electrică atunci când sunteți sub influența drogurilor, alcoolului sau a medicamentelor.** Un moment de neatenție în timpul utilizării sculelor electrice poate duce la vătămări personale grave.
- b) **Utilizați echipamentul de protecție corporală. Folosiți întotdeauna ochelari de protecție.** Folosirea echipamentelor de protecție conform condițiilor de lucru, ca de exemplu măști de praf, încălțăminte de protecție anti-alunecare, căști de protecție sau antifoane va reduce vătămrile personale.
- c) **Evitați pornirea accidentală. Înainte de a introduce scula electrică în priza de alimentare, asigurați-vă că aveți comutatorul de acționare în poziția oPRIT (off).** Transportarea uneltelor electrice ținând degetul pe întrerupător sau alimentarea cu tensiune a uneltelor electrice ce au întrerupătorul în poziția pornit înlesnesc producerea.
- d) **Înainte de a pune în funcțiune scula electrică, îndepărtați toate penele sau cheile de reglare.** O cheie sau o pană care au fost lăsate atașate de o parte rotativă a sculei electrice poate duce la vătămări personale.
- e) **Nu vă întindeți pentru a ajunge la punctul de lucru.** Mențineți permanent un contact ferm al piciorului și un echilibru stabil. În acest fel puteți controla mai bine scula electrică în situații neprevăzute.
- f) **Îmbrăcați-vă în mod adecvat. Nu purtați haine largi sau bijuterii. Părul, hainele și mănușile trebuie menținute departe de părțile în mișcare.** Hainele largi, părul și bijuteriile pot fi agățate și prinse de părțile în mișcare.
- g) **Dacă dispozitivele sunt construite pentru a fi conectate la echipamente de extragere și colectare a prafului, asigurați-vă că aceste echipamente sunt conectate și funcționează corect.** Folosirea unor astfel de echipamente poate reduce pericolele legate de praf.
- h) **Nu lăsați ca obișnuința obținută prin utilizarea frecventă a uneltelor să vă permită să deveniți impasibil și să ignorați principiile de siguranță în utilizarea uneltelor.** O acțiune neglijentă poate provoca accidente grave într-o fracțiune de secundă.

4) Utilizarea și întreținerea sculei electrice

- a) **Nu forțați scula electrică. Folosiți scula electrică adecvată operațiunii care trebuie efectuată.** O sculă electrică adecvată își va efectua mai bine și mai în siguranță sarcina deoarece este folosită la parametrii pentru care a fost proiectată.
- b) **Nu folosiți scula electrică în cazul în care comutatorul de acționare nu realizează pornirea și oprirea acesteia.** Orice sculă electrică ce nu poate fi comandată cu ajutorul comutatorului de acționare este periculoasă și trebuie reparată.
- c) **Înainte de a efectua orice fel de reglaje, schimbări ale accesoriilor sau pe perioada depozitării sculelor electrice deconectați ștecherul de la sursa de energie electrică.** Astfel de măsuri preventive reduc riscul de pornire accidentală a sculei electrice.
- d) **Nu depozitați sculele electrice neutilizate la îndemâna copiilor și nu permiteți persoanelor care nu sunt familiare cu sculele electrice sau cu prezentele instrucțiuni să le utilizeze.** Sculele electrice sunt periculoase atunci când sunt utilizate de către persoane neinstruite.
- e) **Întrețineți sculele electrice. Verificați alinierea sau prinderea părților în mișcare, verificați componentele sculei pentru a vă asigura că nu sunt sparte și, de asemenea, verificați orice alte situații care ar putea afecta funcționarea sculei electrice. Dacă scula electrică se defectează, reparați-o înainte de a o refolosi.** Sculele electrice întreținute necorespunzător duc la producerea multor accidente.
- f) **Mențineți sculele așchietoare ascuțite și curate.** Sculele așchietoare întreținute corespunzător, având muchiile tăietoare ascuțite, se întepenesc mai greu și sunt mai ușor de controlat.
- g) **Utilizați sculele electrice, accesoriile și burghiile etc., în conformitate cu prezentele instrucțiuni și în mod corespunzător tipului de sculă electrică utilizat, ținând seama de condițiile de lucru și de sarcina care trebuie efectuată.** Utilizarea unor scule electrice pentru operații diferite de cele pentru care acestea au fost proiectate poate duce la situații periculoase.
- h) **Țineți mânerul și suprafețele de prindere uscate, curate și lipsite de ulei și unsoare.** Mânere și suprafețele de prindere alunecoase nu permit manipularea și controlul uneltei în de siguranță în situații neașteptate.

5) Utilizarea și întreținerea unelei cu acumulator

- a) **Încărcați din nou numai cu încărcătorul specificat de producătorul.** Încărcătorul potrivit cu un tip de acumulator poate crea riscul incendiului dacă este utilizat cu un alt acumulator.
- b) **Folosiți instrumentele electrice numai cu acumuloare proiectate specific.** Utilizarea oricăror alte acumuloare pot crea riscul accidentului personal și al incendiului.
- c) **În timp ce acumulatorul nu este utilizat, feriți-l de alte obiecte metalice cum ar fi cleme de birou, monede, chei, cui, șuruburi ori alte obiecte metalice mărunte care ar putea crea conexiunea de la un terminal până la celălalt.** Scurtcircuitarea terminalelor baterii poate cauza arsuri sau incendiu.
- d) **Ca urmare a folosirii necorespunzătoare, din acumulator se poate scurge lichid. Evitați contactul cu acesta. În caz de contact accidental, clătiți cu apă. Dacă lichidul intră în contact cu ochi, pe lângă măsurile amintite consultați și un medic.** Lichidul care se scurge din acumulator poate provoca iritarea pielii sau arsuri.
- e) **Nu folosiți un acumulator sau o unealtă care este deteriorată sau modificată.** Acumulatorii deteriorați sau modificați pot avea un comportament imprevizibil care rezultă în foc, explozie sau risc de rănire.
- f) **Nu expuneți acumulatorul sau unealta la foc sau temperatură excesivă.** Expunerea la foc sau temperaturi de peste 130 °C poate provoca explozie. OBSERVAȚIE Temperatura „130 °C” poate fi înlocuită cu temperatura „265 °F”.
- g) **Respectați toate instrucțiunile de încărcare și nu încărcați acumulatorul sau unealta în afara intervalului de temperatură specificat în instrucțiuni.** Încărcarea necorespunzătoare sau la temperaturi în afara domeniului specificat poate deteriora acumulatorul și poate crește riscul de incendiu.

6) Service

- a) **Prevedeți repararea unelei de lucru de către o persoană calificată, folosind exclusiv piese de schimb identice.** Astfel, vă asigurați că este păstrată siguranța unelei electrice.
- b) **Niciodată nu servișați acumulatorii deteriorați.** Servisarea acumulatorilor ar trebui să fie efectuată numai de către producător sau furnizorii autorizați de service.

INSTRUCȚIUNI SUPLIMENTARE DE SIGURANȚĂ

- **Țineți unealta cu ambele mâini de mânerul prevăzute.** Pierderea controlului poate duce la rănire personală.
- **Asigurați o ventilație suficientă atunci când amestecați materiale inflamabile pentru a evita formarea unei atmosfere periculoase.** Vaporii care se dezvoltă pot fi inhalați sau aprinși de scânteele pe care le produce unealta electrică.
- **Nu amestecați alimente.** Unelele electrice și accesoriile acestora nu sunt concepute pentru procesarea alimentelor.
- **Țineți cablul la distanță față de zona de lucru.** Cablul poate fi prins de coșul mașinii de amestecat.
- **Asigurați-vă că recipientul de amestecare este așezat într-o poziție fermă și sigură.** Un recipient care nu este asigurat în mod corect se poate deplasa neașteptat.
- **Asigurați-vă că lichidul nu stropește carcasa unității electrice.** Lichidul care a pătruns în unealta electrică poate provoca daune și duce la șocuri electrice.
- **Respectați instrucțiunile și avertismentele pentru amestecarea materialului.** Materialul care trebuie amestecat poate fi dăunător.
- **Dacă unealta electrică cade în materialul care trebuie amestecat, deconectați imediat unealta și trebuie să fie verificată de o persoană calificată.** Atingerea cupei cu mașina conectată poate duce la șocuri electrice.
- **Nu introduceți mâinile sau alte obiecte în recipientul de amestecare în timp ce amestecați.** Contactul cu coșul de amestecare poate provoca vătămări corporale grave.
- **Porniți și lăsați mașina să funcționeze numai când mașina este în recipientul de amestecare.** Coșul de amestecare poate să se îndoie sau să se rotească într-un mod necontrolat.

AVERTISMENTE DE SIGURANȚĂ PENTRU BATERIE

- a) **Nu deschideți bateria.** Pericol de scurtcircuitare.
- b) **Protejați bateria împotriva căldurii, de ex. împotriva expunerii puternice la soare, foc, apă și umiditate.** Pericol de explozie.
- c) **În cazul deteriorării și utilizării necorespunzătoare a bateriei, pot fi emiși vapori. Ventilați zona și solicitați asistență medicală în caz de sesizări.** Vaporii pot irita sistemul respirator.
- d) **Utilizați bateria numai împreună cu produsul**

dvs. Vonroc. Numai această măsură protejează bateria împotriva supraîncărcării periculoase.

- e) **Bateria poate fi deteriorată de obiecte ascuțite, cum ar fi cuie sau șurubelnițe sau prin forță aplicată exter.** Poate apărea un scurtcircuit intern și bateria poate arde, exploda sau supraîncălzi.

AVERTISMENTE DE SIGURANȚĂ PENTRU STAȚII DE ÎNCĂRCARE

Destinația de utilizare

Încărcați doar acumulatorii de tip CD801AA și CD803AA cu încărcătorul. Alte tipuri de acumulatori pot exploda provocând rănire personală și daune.

- a) **Această unealtă nu are voie să fie folosită de persoane (inclusiv copii) cu capacități fizice, senzoriale sau mentale reduse, sau de către persoane lipsite de experiență și cunoștințe, cu excepția cazului în care acestea au fost supravegheate și instruite.**
- b) **Nu lăsați copiii nesupravegheați să se joace cu aparatul.**
- c) **Nu reîncărcați bateriile ne-reîncărcabile!**
- d) **În timpul încărcării, acumulatorii trebuie amplasați într-o zonă bine ventilată!**

Siguranța electrică



Verificați întotdeauna ca tensiunea de la alimentarea cu energie să corespundă tensiunii de pe plăcuța cu specificații.

- Nu utilizați mașina în cazul în care cablul de alimentare și/sau fișa acestuia sunt deteriorate.
- Folosiți numai cabluri prelungitoare adecvate pentru puterea mașinii cu o grosime minimă de 1,5 mm². Dacă utilizați o bobină de cablu de extensie, derulați întotdeauna complet cablul.

2. INFORMAȚII CU PRIVIRE LA MAȘINA

Destinația de utilizare

Mașina este destinată amestecării materialelor de construcție pulverizate, cum ar fi mortar, tencuială, adezivi, precum și vopsea fără solvent, lac și substanțe asemănătoare. Utilizarea necorespunzătoare poate deteriora instrumentul.

SPECIFICAȚII TEHNICE




Acest manual a fost realizat pentru diferite numere de seturi/articole. Verificați numărul articolului corespunzător în tabelul de specificații de mai jos pentru a vedea compoziția și conținutul exact al setului.

Nr. model	Baterii incluse	Încărcătoare incluse
PM506DC	-	-
S_PM506DC	CD801AA	CD802AA
S2_PM506DC	2 x CD801AA	CD802AA
S3_PM506DC	CD803AA	CD802AA

Informații cu privire la mașină	
Voltaj	20V
Turație la mers în gol	0-650/min
Suport unealtă	M14
Paletă	Ø 120mm
Masă	3,6 kg
Nivel presiune sonoră L _{PA}	77,1 dB(A)
Nivel putere acustică L _{WA}	88,1 dB(A)
Valoare vibrații	
Mâner stâng	3,081 m/s ² , K= 1,5 m/s ²
Mâner drept	4,314 m/s ² , K= 1,5 m/s ²

Nr. model	CD801AA
Tip acumulator	Lithiu-Ion
Voltaj	20V
Capacitate	2,0 Ah
Încărcător recomandat	CD802AA
Greutate	0,3 kg

Nr. model	CD802AA
Intrare încărcător	220-240V, 50Hz 0,4A
Ieșire încărcător	21V 2,5A
Timp de încărcare acumulator 2Ah	60 minute
Timp de încărcare acumulator 4Ah	120 minute
Acumulatori recomandați	CD801AA, CD803AA
Greutate	0,36 kg

Nr. model	CD803AA
Tip acumulator	Lithiu-Ion
Voltaj	20V 
Capacitate	4,0 Ah
Încărcător recomandat	CD802AA
Greutate	0,65 kg

Utilizați numai următoarele baterii ale platformei de baterii VONROC VPOWER 20V. Alte tipuri de acumulatori pot exploda provocând rănire personală și daune.
 CD801AA 20V, 2Ah Lithiu-Ion
 CD803AA 20V, 4Ah Lithiu-Ion

Utilizați numai următoarele încărcător pentru a încărca aceste baterii.
 CD802AA Încărcător rapid

Bateriile platformei VONROC VPOWER 20V sunt interschimbabile cu toate uneltele VONROC VPOWER 20V.

Nivelul vibrațiilor

Nivelul emisiilor de vibrații menționat în acest manual de instrucțiuni a fost măsurat în conformitate cu un test standardizat precizat în EN 60745; poate fi folosit pentru a compara o sculă cu alta și ca evaluare preliminară a expunerii la vibrații atunci când folosiți scula pentru aplicațiile menționate:

- utilizarea sculei pentru aplicații diferite sau cu accesorii diferite și prost întreținute, poate crește semnificativ nivelul de expunere;
- momentele în care scula este oprită sau când funcționează dar nu execută nicio lucrare, pot reduce semnificativ nivelul de expunere.

Protejați-vă împotriva efectelor vibrațiilor prin întreținerea sculei și a accesoriilor sale, păstrând mâinile calde și organizând procesele de lucru.

DESCRIERE

Numerele din text se referă la diagramele de la paginile 2-3.

1. Suport acumulator
2. Mâner
3. Deschideri de ventilație
4. Portunealtă
5. Arbore de omogenizator
6. Paletă de omogenizator
7. Comutator pornire/oprire

8. Buton blocare
9. Rotiță de reglare a vitezei
10. Cheie de piuliță
11. Acumulator
12. Buton deblocare acumulator
13. Buton indicatori acumulator LED
14. Indicatori acumulator LED
15. Încărcător
16. Indicatori LED încărcător

3. ASAMBLAREA



Înainte de orice lucrare asupra uneltei, decuplați bateria.



Înainte de prima utilizare, acumulatorul trebuie să fie încărcat.

Introducerea acumulatorului în mașină (Fig. D)



Asigurați-vă că exteriorul acumulatorului este curat și uscat înainte de a-l conecta la acumulator sau la mașină.

1. Introduceți acumulatorul (11) în suportul mașinii, așa cum este indicat în Fig. D.
2. Apăsăți acumulatorul până când se fixează în poziție.

Scoaterea acumulatorului din aparat (Fig. D)

1. Apăsăți butonul de deblocare a acumulatorului (12).
2. Trageți acumulatorul din aparat, așa cum este indicat în Fig. D.

Verificarea nivelului de încărcare a bateriei (Fig. E)

- Pentru a verifica nivelul de încărcare a acumulatorului, apăsați scurt butonul (13) de pe acumulator.
- Acumulatorul este prevăzut cu 3 lumini care indică nivelul de încărcare, numărul de lumini aprinse semnifică gradul de încărcare a bateriei.
- Atunci când luminile sunt stinse, acest lucru semnifică faptul că acumulatorul este descărcat și trebuie încărcat imediat.

Încărcarea acumulatorului folosind încărcătorul (Fig. E)

1. Scoateți acumulatorul (11) din mașină.
2. Întoarceți invers acumulatorul (11) și împingeți-l în încărcător (15), așa cum este indicat în Fig. E.

- Apăsați acumulatorul până când este introdus complet în locaș.
- Conectați mufa încărcătorului la o priză electrică și așteptați o perioadă. Indicatorii LED de pe încărcător (14) se vor aprinde și vor indica nivelul de încărcare.

Încărcătorul are 2 indicatori LED (16), care indică nivelul procesului de încărcare:

Nivel LED roșu	Nivel LED verde	Nivel de încărcare
Oprit	Oprit	Fără alimentare
Oprit	Pornit	Mod standby: - Nu este niciun acumulator introdus sau, - Acumulator introdus dar încărcarea s-a sfârșit
Pornit	Oprit	Încărcare acumulator în progres

- Încărcarea completă a acumulatorului de 2Ah poate dura până la 60 minute.
- Încărcarea completă a acumulatorului de 4Ah poate dura până la 120 minute.

După încărcarea completă a acumulatorului, scoateți mufa încărcătorului din priză și îndepărtați acumulatorul din încărcător.



Atunci când nu folosiți mașina, este indicat să depozitați acumulatorul în stare încărcată.

Asamblarea omogenizatorului din două părți (Fig. A)

- Înșurubați arborele de omogenizator (5) pe paleta de omogenizator (6).
- Strângeți bine ambele piese.

Înlocuirea omogenizatorului (Fig. C)



Înainte de monta un accesoriu, scoateți întotdeauna acumulatorul.

Utilizați numai omogenizatoare în conformitate cu diametrul specificat. Utilizați întotdeauna un omogenizator potrivită pentru material de amestecat/omogenizat. Folosirea unei bare de omogenizator necorespunzătoare poate suprasolicita în mod inutil atât mașina, cât și pa dumneavoastră.

Montarea omogenizatorului

- Înșurubați omogenizatorul asamblat în prinderea pentru scule (4) în sensul acelor de ceasornic cât mai mult posibil.
- Strângeți omogenizatorul în prinderea pentru scule cu ajutorul cheilor furnizate. Pentru a face acest lucru, țineți prinderea pentru scule (4) folosind una dintre cheile furnizate (10) și utilizați a doua cheie pentru a strânge omogenizatorul asamblat.

Demontarea omogenizatorului

- Slăbiți omogenizatorul asamblat utilizând cheile furnizate (10). Pentru a face acest lucru, țineți suportul pentru scule (4) folosind una dintre cheile furnizate (10) și utilizați a doua cheie pentru a slăbi omogenizatorul asamblat.
- Deșurubați omogenizatorul de la prinderea pentru scule (4) în sens invers acelor de ceasornic.

4. OPERAREA

Pornirea și oprirea (Fig. B)

Comutatorul de pornire/oprire (7) este utilizat pentru acționarea mașinii și reglarea vitezei.

- Pentru a porni aparatul, apăsați și mențineți apăsat butonul de blocare (8) și apăsați butonul de pornire/oprire (7).
- Pentru a opri mașina, eliberați comutatorul de pornire/oprire (7).

Reglarea vitezei (Fig. B)

Viteza necesară poate fi reglată folosind roțița de reglare a vitezei (9). De asemenea, în timpul funcționării, viteza de rotație poate fi reglată.

- Pentru a crește viteza, rotiți butonul de reglare a vitezei (9) în sens orar.
- Pentru a scădea viteza, rotiți butonul de reglare a vitezei (9) în sens antiorar.

Viteza necesară depinde de material și poate fi determinată prin teste practice.

Utilizare optimă

- Pentru materialele cu vâscozitate redusă, de exemplu vopsea de emulsie, lacuri, adeziv, compus de chituiră și suspensie de ciment, se recomandă un amestecător cu spirală de stânga pentru o utilizare optimă. Cu o spirală de stânga, materialul este deplasat de sus în jos și agitatorul este împins în sus. Materialele cu vâscozitate redusă sunt amestecate într-un mod care reduce stropirea, de aceea se reco-

mandă o viteză redusă.

- Pentru materiale cu vâscozitate ridicată, de ex. amestec de tencuială, beton, ciment, șapă, material de umplutură și rășină epoxidică, se recomandă un amestecător cu spirală de dreapta pentru o utilizare optimă. Cu o spirală de dreapta, materialul este deplasat de jos în sus și agitatorul este tras în jos (făcându-și loc în amestec). Materialele cu vâscozitate ridicată sunt amestecate bine, de aceea se recomandă o viteză mare.
- Pentru rezultate optime, mișcați unealta electrică în sus și în jos în timp ce amestecați.
- Se recomandă curățarea paletelor după utilizare, de exemplu prin amestecarea sa într-o găleată umplută cu apă.

5. ÎNTREȚINERE



Înainte de curățare și întreținere, opriți alimentarea electrică a mașinii și scoateți acumulatorul din mașină.

Curățați regulat carcasa cu o cârpă moale, de preferat după fiecare utilizare. Curățați fantele de aerisire de praf și murdărie (3). Îndepărtați murdăria persistentă cu o cârpă moale înmuiată în clăbuci de săpun. Nu folosiți solvenți precum benzină, alcool, amoniac, etc. Astfel de substanțe chimice vor deteriora componentele sintetice.

MEDIU



Aparatele electrice sau electronice deteriorate și/sau defecte trebuie colectate în locurile de reciclare corespunzătoare.

Numai pentru țările din CE

Nu aruncați echipamentele acționate electric împreună cu gunoierul menajer. Conform Indicației europene 2012/19/EU pentru echipamente electrice și electronice uzate și a implementării sale la nivel național, echipamentele acționate electric scoase din uz trebuie colectate separat și evacuate într-o manieră ecologică.

GARANȚIE

Produsele VONROC sunt realizate la cele mai înalte standarde de calitate și sunt garantate în privința materialelor și a manoperei pentru întreaga perioadă

de utilizare în garanție, începând cu data achiziției. În cazul în care produsul se defectează în timpul perioadei de utilizare, contactați direct VONROC.

Următoarele circumstanțe sunt excluse de la această garanție:

- Reparațiile sau modificările care realizate sau care s-au încercat a fi efectuate de centre de service neautorizate.
- Uzura în condiții normale.
- Unealta care a fost abuzată, utilizată într-un mod neglijent sau întreținută în mod inadecvat.
- Folosirea unor piese de schimb neoriginale.

Aceasta acoperă garanția companiei, explicită sau implicită. Nu există alte garanții explicite sau implicite care să se extindă dincolo de cele indicate aici, incluzând garanțiile, vandabilitatea sau adecvarea pentru un anumit scop. În nicio situație, VONROC nu este responsabil pentru daunele incidentale sau consecvențiale. Reparațiile efectuate de reprezentant trebuie să fie limitate la reparațiile sau la înlocuirea unităților sau a pieselor neconforme.

Produsul și manualul de utilizare pot suferi modificări. Specificațiile se pot modifica fără notificare prealabilă.

1. GÜVENLİK TALİMATLARI

Ekteki güvenlik uyarılarını, ilave güvenlik uyarılarını ve talimatları okuyun. Güvenlik uyarılarını ve talimatları izlememek elektrik çarpması, yangın ve/veya ciddi yaralanma ile sonuçlanabilir. Güvenlik uyarılarını ve talimatları ilerde bakmak üzere muhafaza edin.

Aşağıdaki semboller kullanıcı kılavuzunda veya ürün üzerinde kullanılmaktadır:



Kullanıcı kılavuzunu okuyun.



Bu kılavuzdaki talimatlara uymama durumunda bedensel yaralanma, can kaybı veya alete hasat riskini belirtir.



Değişken elektronik hız.



Koruyucu gözlük takın. Duyma koruması takın.



Bir toz maskesi takın.



Gecikmeli minyatür sigorta bağlantısı.



Maksimum sıcaklık 45 °C.



Pili ateşe atmayın.



Pili suya atmayın.



Ürün, Avrupa yönergelerindeki geçerli güvenlik standartlarına uygundur.



Ürün, Avrupa yönergelerindeki geçerli güvenlik standartlarına uygundur.

GENEL ELEKTRİK ALET GÜVENLİK UYARILARI



UYARI Tüm güvenlik uyarılarını ve tüm talimatları okuyun. Uyarılara uyulmadı ve talimatlar elektrik çarpmasına, yangına ve/veya ciddi yaralanmalara neden olabilir.

Tüm uyarıları ve talimatları gelecekte başvurmak üzere saklayın.

Uyarılardaki “elektrikli alet” terimi, şebeke elektrliği ile çalışan (kablolu) elektrikli alet veya pil ile çalışan (kablesiz) elektrikli alet anlamına gelir.

1) İş aşanı güvenliği

- İş alanını temiz ve aydınlık tutun.** Dağınık veya karanlık bölgeler, kazalara davetiye çıkarır.
- Elektrikli aletleri, yanıcı sıvıların, gazların veya tozun var olduğu patlayıcı atmosferlerde kullanmayın.** Elektrikli aletler, tozu veya dumanları ateşleyebilecek kıvılcımlar oluşturur.
- Bir elektrikli aleti kullanırken, çocukları ve çevredekileri uzak tutun.** Dikkatiniz dağılırsa kontrolü kaybedebilirsiniz.

2) Elektrik güvenliği

- Elektrikli alet fişleri, prize uygun olmalıdır. Fişi, hiçbir şekilde modifiye etmeyin. Topraklı elektrikli aletlerle, herhangi bir fiş adaptörü kullanmayın.** Modifiye edilmemiş fişler ve buna uygun prizler, elektrik çarpması riskini azaltır.
- Borular, radyatörler, ocaklar ve buzdolapları gibi topraklı yüzeylerle temastan kaçınınız.** Eğer vücudunuz topraklanmışsa, elektrik çarpması riski daha fazla olur.
- Elektrikli aletleri yağmura veya ıslaklığa maruz bırakmayın.** Bir elektrikli alete su girmesi durumunda, elektrik çarpması riski artacaktır.
- Kabloya kötü davranmayın. Kabloyu taşıma amacıyla, elektrikli aleti ya da elektrikli aletin fişini çekmek için kullanmayın. Kabloyu ısıdan, yağdan, keskin kenarlardan ya da hareketli parçalardan uzak tutun.** Hasar görmüş ya da do-laşmış kablolar, elektrik çarpması riskini artırır.
- Bir elektrikli aleti dış mekanlarda kullanırken, dış mekan kullanımına uygun bir uzatma kablosu kullanın.** Dış mekan kullanımına uygun ir kablo kullanıldığında, elektrik çarpması riski azalır.
- Elektrikli aleti nemli bir konumda çalıştırmak kaçınılmazsa, kaçak akım cihazı (RCD) korumalı bir kaynak kullanın.** RCD kullanımı elektrik çarpması riskini azaltır.

3) Kişisel güvenlik

- Elektrikli aleti kullanırken tetikte kalın, ne yaptığınıza dikkat edin ve sağlıklı davranın. Bir elektrikli aleti yorgun olduğunuzda ya da uyuşturucu, alkol veya ilaç etkisindeyken kullanmayın.** Elektrikli aleti kullanırken bir anlık dikkatsizlik ciddi kişisel yaralanmalara neden olabilir.
- Kişisel koruyucu donanım kullanın. Her zaman göz koruması takın.** Uygun durumlar için kullanılan toz maskesi, kaymaz güvenlik ayakkabıları, baret veya kulak tıkacı gibi koruyucu donanımlar, kişisel yaralanma riskini azaltacaktır.

- c) **Kasıtsız çalışmayı önleyin. Bir elektrik kaynağını ve/veya pil takımını bağlamadan, aleti kaldırmadan ya da taşımadan önce elektrikli aletin anahtarını kapalı durumda olduğundan emin olun.** Elektrikli aletleri parmağınız anahtar üzerindeyken taşımak veya anahtarı açık elektrikli aletleri harekete geçirmek kazalara davetiye çıkarır.
- d) **Elektrikli aleti açık duruma getirmeden önce her türlü ayar anahtarını çıkarın.** Elektrikli aletin dönen bir parçasında kalan bir anahtar, kişisel yaralanmalara neden olabilir.
- e) **Fazla uzanmayın. Ayaklarınızı sağlam basın ve her zaman dengeli olun.** Böylece beklenmeyen durumlarda elektrikli aleti daha iyi kontrol edebilirsiniz.
- f) **Uygun kıyafetler giyin. Bol kıyafetler giymeyin, takılar takmayın. Saçınızı, kıyafetlerinizi ve eldivenlerinizi, hareketli parçalardan uzak tutun.** Bol kıyafetler, takılar veya uzun saç, hareketli parçalara takılabilir.
- g) **Eğer cihazlar toz giderme ve toplama tesislerinin bağlantısı için sağlanmışsa, bunların bağlandığından ve düzgün bir şekilde kullanıldığından emin olun.** Toz toplama ile tozla ilgili tehlikeleri azaltılabilir.
- h) **Aletlerin sık kullanılmasından edindiğiniz bilgi birikiminin sizi aşırı rehavete sürüklemesine izin vermeyin ve araç güvenliği ilkelerini göz ardı etmeyin.** Dikkatsiz bir hareket, bir saniyeden bile kısa sürede ciddi yaralanmalara neden olabilir.
- 4) Elektrikli alet kullanımı ve bakımı**
- a) **Elektrikli aleti zorlamayın. Uygulamanız için doğru elektrikli aleti kullanın.** Doğru elektrikli alet, tasarım amacına uygun olarak işi daha iyi yapacaktır.
- b) **Eğer anahtarlar açılıp kapatılmıyorsa, elektrikli aleti kullanmayın.** Anahtarla kumanda edilemeyen elektrikli aletler tehlikelidir ve tamir edilmelidir.
- c) **Herhangi bir ayar, aksesuar değişimi ya da depolama işleminden önce elektrikli aletin fişini elektrik kaynağından çıkarın ve/veya pil takımını elektrikli aletten çıkarın.** Bu tür önleyici güvenlik önlemleri, elektrikli aletin kazara çalışma riskini azaltır.
- d) **Boş durumdaki elektrikli aletleri çocukların erişemeyeceği bir yerde muhafaza edin ve elektrikli aletin nasıl çalıştığını ya da bu talimatları bilmeyen kişilerin elektrikli aleti kullanmasına izin vermeyin.** Elektrikli aletler, eğitimsiz kullanıcıların elinde tehlikeli olur.
- e) **Elektrikli aletlerin bakımını yapın. Hatalı ayarlar veya hareketli parçaların bağlanması, parça kırılmaları ve elektrikli aletin çalışmasını etkileyecek diğer durumlar için kontrol gerçekleştirin. Eğer herhangi bir hasar varsa, elektrikli alet kullanılmadan önce tamir edilmelidir.** Çoğu kazaya bakımı iyi yapılmayan elektrikli aletler neden olur.
- f) **Kesme aletlerini keskin ve temiz tutun.** Bakımı iyi yapılan ve keskin kenarlara sahip kesme aletlerinde donmalar daha az yaşanır ve kontrol edilmeleri daha kolay olur.
- g) **Elektrikli aleti, aksesuarlarını ve torna kalemlerini bu talimatlara uygun olarak kullanın, çalışma koşullarını ve gerçekleştirilecek olan işi dikkate alın.** Elektrikli aletin kullanım amacı dışında kullanılması, tehlikeli durumlarla sonuçlanabilir.
- h) **Tutamakları ve tutma yerlerini kuru, temiz ve yağdan arındırılmış şekilde muhafaza edin.** Kaygan tutamaklar ve tutma yerleri, beklenmedik durumlarda aletin güvenli şekilde taşınmasına ve kontrol edilmesine izin vermez.
- 5) Pili alet kullanımı ve bakımı**
- a) **Yalnızca üretici tarafından belirtilen şarj aletiyle şarj edin.** Bir türde pil takımı için uygun bir şarj cihazı, başka bir pil takımı ile kullanıldığında yangın riski oluşturabilir.
- b) **Elektrikli aletleri yalnızca özel olarak belirlenmiş pil takımlarıyla kullanın.** Başka pil takımlarının kullanımı yaralanma ve yangın riski oluşturabilir.
- c) **Pil takımı kullanılmadığı zamanda, ataşlar, bozuk paralar, anahtarlar, çiviler, vidalar veya diğer küçük metal nesnelere gibi bir uçtan diğerine bir bağlantı yapabilecek diğer metal nesnelere uzak tutun.** Pil uçlarını birbirine kısa devre yaptırmak yanıklara veya yangına neden olabilir.
- d) **Bozulma durumlarında pilden sıvı çıkabilir; temastan kaçının. Kazara temas gerçekleşirse, suyla yıkayın. Sıvı gözlerle temas ederse ayrıca tıbbi yardım isteyin.** Pilden çıkan sıvı tahriş veya yanıklara neden olabilir.
- e) **Hasarlı veya üzerinde değişiklik yapılmış bir batarya veya aleti kullanmayın.** Hasarlı veya üzerinde değişiklik yapılmış bataryalar, yangın, patlama ya da yaralanma riskiyle sonuçlanan beklenmedik davranışlar sergileyebilir.
- f) **Batarya veya aleti ateşe veya aşırı sıcaklığa maruz bırakmayın.** Ateşe veya 130 °C üzeri si-

caklıklara maruz kalması patlamaya yol açabilir. NOT Sıcaklık birimi olarak kullanılan „130 °C“ yerine „265 °F“ kullanılabilir.

- g) **Tüm şarj talimatlarına uyun ve batarya veya aleti talimatlarda belirtilen sıcaklık aralığının dışındaki ortamlarda şarj etmeyin.** Yanlış şekilde veya belirtilen aralığın dışındaki sıcaklıklarda şarj etmek bataryaya zarar verebilir ve yangın riskini artırabilir.

6) Servis

- a) **Elektrikli aletinizin servis işlemlerini, yalnızca aynı yedek parçaları kullanan vasıflı bir tamircinin yapmasını sağlayın.** Bu, elektrikli aletin güvenliğinin korunmasını sağlayacaktır.
- b) **Hasarlı bataryalara asla kendiniz bakım yapmaya çalışmayın.** Bataryadaki bakım işlemleri sadece üretici veya yetkili servisler tarafından yapılmalıdır.

İÇİN İLAVE GÜVENLİK UYARILARI

- **Aleti, öngörülen tutma yerlerinden her iki elinizle tutun.** Kontrol kaybı bedensel yaralanmaya neden olabilir.
- **Tehlikeli bir ortam oluşturmaktan kaçınmak için yangıcı malmeleri karıştırırken yeterli havalandırma sağlayın.** Oluşan buhar solunabilir veya elektrikli aletin ürettiği kıvılcımlar tarafından ateşlenebilir.
- **Yiyecek karıştırmayın.** Elektrikli aletler ve aksesuarları, yiyecek yapımı için tasarlanmamıştır.
- **Kabloyu çalışma alanından uzak tutun.** Kablo, mikser sepetine dolanmış olabilir.
- **Karıştırma kabının sağlam ve güvenli bir konuma yerleştirildiğinden emin olun.** Sağlam bir şekilde sabitlenmeyen bir kap kontrolsüz olarak hareket edebilir.
- **Elektrikli aletin gövdesine sıvı sıçramasını dikkat edin.** Elektrikli aletin içerisine giren sıvılar hasara ve sonucunda da elektrik çarpmasına neden olabilir.
- **Karıştırılacak malzeme için geçerli talimat ve uyarılara uyunuz.** Karıştırılacak malzeme zararlı olabilir.
- **Elektrikli alet karıştırılacak malzemenin içine düşerse, derhal aletin fişini çekin ve elektrikli aleti yetkili bir servise kontrol ettirin.** Alet halen fişe takılıyken sepete elinizi uzatmak elektrik çarpmasına neden olabilir.
- **Karıştırma sırasında karıştırma kabına elinizle uzanmayın veya içine başka herhangi bir nesne**

sokmayın. Mikser sepetiyle temas ciddi yaralanmalara neden olabilir.

- **Aleti yalnızca karıştırma kabının içerisindeyken çalıştırın ve kullanın.** Mikser sepeti kontrolsüz bir şekilde bükülebilir veya dönebilir.

BATARYA İÇİN GÜVENLİK UYARILARI

- a) **Bataryanın içini açmayın.** Kısa devre tehlikesi.
- b) **Bataryayı ısıya, sürekli yoğun güneş ışığına, yangına, suya ve neme karşı koruyun.** Patlama tehlikesi.
- c) **Bataryanın hasar görmesi ve yanlış kullanılması durumunda duman çıkabilir. Bölgeyi havalandırın ve şikayet durumunda tıbbi yardım alın.** Duman solunum sistemini tahriş edebilir.
- d) **Bataryayı sadece Vonroc ürününüzle bağlantılı olarak kullanın.** Bu önlem tek başına bataryayı tehlikeli aşırı yüklenmeye karşı korur.
- e) **Batarya, çivi veya tornavida gibi sivri uçlu nesnelere veya dışarıdan uygulanan kuvvetten ötürü zarar görebilir.** Dahili bir kısa devre oluşabilir ve batarya yanabilir, duman çıkabilir, patlayabilir veya aşırı ısınabilir.

ŞARJ ALETİ İÇİN GÜVENLİK UYARILARI

Kullanım amacı

Şarj aleti ile yalnızca CD801AA ve CD803AA tipi Şarj edilebilir bataryaları şarj edin. Diğer pil türleri patlayarak fiziksel yaralanma ve hasara neden olabilir.

- a) **Cihaz, gözetim veya talimat verilmedikleri takdirde kısıtlı düzeyde fiziksel, duyuşsal veya zihinsel becerilere sahip olan veya deneyim ve bilgiden yoksun bulunan kişiler (çocuklar dahil) tarafından kullanılamaz.**
- b) **Çocuklar cihazla oynamamaları için gözetim altında tutulmalıdır.**
- c) **Şarj edilebilir olmayan özellikte pilleri şarj etmeyin!**
- d) **Şarj sırasında piller iyi havalandırılmalı bir bölgeye yerleştirilmelidir!**

Elektrik güvenliği



Daima güç kaynağı geriliminin anma değerleri plakasındaki gerilime karşılık gelip gelmediğini kontrol edin.

- Güç kaynağı kablosu veya şebeke fişi hasar görmüşse makineyi kullanmayın.
- Sadece makinenin güç değerleri açısından uygun, minimum 1,5 mm² kalınlığa sahip uzatma kabloları kullanın. Bir uzatma kablosu makarası kullanıyorsanız kabloyu daima tamamen açın.

2. MAKİNE BİLGİSİ

Kullanım amacı

Makine, harç, sıva, yapıştırıcılar, solvent içermeyen boya, vernik ve benzeri maddeler gibi toz haline getirilmiş yapı malzemelerinin karıştırılması için tasarlanmıştır. Uygunsuz kullanım alete zarar verebilir.

TEKNİK SPESİFİKASYONLAR



Bu kılavuz farklı takımlar/ürün numaraları için hazırlanmıştır. Takımınızın doğru bileşenleri ve içeriği için aşağıdaki özellikler tablosundaki ilgili ürün numarasına bakın.

Model No.	Batarya dahildir	Şarj cihazları dahildir
PM506DC	-	-
S_PM506DC	CD801AA	CD802AA
S2_PM506DC	2 x CD801AA	CD802AA
S3_PM506DC	CD803AA	CD802AA

Makine bilgisi	
Voltaj	20V
Yüksüz hız	0-650/dak
Alet tutucu	M14
Çırpma teli	Ø 120 mm
Ağırlık	3,6 kg
Ses basınç seviyesi L _{PA}	77,1 dB(A)
Ses gücü seviyesi L _{WA}	88,1 dB(A)
Titreşim değeri	
Sol tutamak	3,081 m/s ² , K= 1,5 m/s ²
Sağ tutamak	4,314 m/s ² , K= 1,5 m/s ²

Model No.	CD801AA
Pil tipi	Lityum-iyon
Voltajı	20V
Kapasitesi	2,0 Ah
Önerilen şarj cihazı	CD802AA
Ağırlık	0,3 kg

Model No.	CD802AA
Şarj cihazı girişi	220-240V, 50Hz 0,4A
Şarj cihazı çıkışı	21V 2,5A
Şarj süresi 2Ah batarya	60 dakika
Şarj süresi 4Ah batarya	120 dakika
Önerilen bataryalar	CD801AA, CD803AA
Ağırlık	0,36 kg

Model No.	CD803AA
Pil tipi	Lityum-iyon
Voltajı	20V
Kapasitesi	4,0 Ah
Önerilen şarj cihazı	CD802AA
Ağırlık	0,65 kg

Sadece aşağıdaki VONROC VPOWER 20V batarya platformuna ait bataryaları kullanın. Başka batarya kullanmak, ciddi yaralanmalara neden olabilir veya alete zarar verebilir.

CD801AA 20V, 2Ah Lityum-iyon
CD803AA 20V, 4Ah Lityum-iyon

Bu bataryaları şarj etmek için aşağıdaki şarj aleti kullanılabilir.
CD802AA Hızlı şarj aleti

VONROC VPOWER 20V batarya platformuna ait bataryalar, tüm VONROC VPOWER 20V batarya platformu aletleriyle karşılıklı değiştirilebilir.

Vibrasyon seviyesi

Bu talimat kılavuzunda belirtilen vibrasyon emisyon seviyesi EN60745 içinde verilen bir standart teste uygun olarak ölçülmüştür; bir aleti başka bir aletle karşılaştırmak için ve aleti adı geçen uygulamalar için kullanırken bir ilk maruz kalma değerlendirmesi olarak kullanılabilir:

- aleti farklı uygulamalar için veya farklı ya da kötü bakılan aksesuarlarla kullanmak maruz kalma seviyesini büyük ölçüde artırabilir;
- aletin kapalı olduğu veya çalışıp da gerçekten işi yapmadığı zamanlar maruz kalma seviyesini büyük ölçüde azaltabilir.

Aletin ve aksesuarların bakımını yaparak, ellerinizi sıcak tutarak ve çalışma düzenlerinizi organize ederek vibrasyonun etkilerine karşı kendinizi koruyun.

AÇIKLAMA

Metindeki numaralar sayfa 2 - 3'teki şemaları işaret etmektedir.

1. Batarya kabini
2. Tutamak
3. Havalandırmaları
4. Alet muhafazası
5. Karıştırma mili
6. Karıştırıcı aparatı
7. Açma / Kapama anahtarı
8. Kilitleme emniyeti
9. Hız ayarlama tekeri
10. Açık ağızlı anahtar
11. Pili
12. Pili gerdirme
13. Pili LED ön emniyet kemeri
14. Pili LED göstergeleri
15. Şarj aleti
16. Şarj aleti LED göstergesi

3. MONTAJ



Elektrikli alet üzerinde herhangi bir çalışma yapmadan önce, bataryayı çıkarın.



İlk kullanımdan önce batarya şarj edilmelidir.

Bataryanın makineye takılması (Şekil D)



Şarj aletine veya makineye takmadan önce bataryanın dış kısmının temiz ve kuru olmasını sağlayın.

1. Bataryayı (11) Şekil D'de gösterildiği gibi makinenin tabanına takın.
2. Yerine oturana kadar bataryayı daha ileriye itin.

Bataryanın makineden çıkartılması (Şekil D)

1. Batarya kilit açma düğmesine (12) basın.
2. Bataryayı, Şekil D'de gösterildiği gibi makineden çıkarın.

Batarya şarj durumunun kontrol edilmesi (Şekil E)

- Batarya şarj durumunu kontrol etmek için, batarya üzerindeki düğmeye (13) kısa süreli basın.
- Batarya, şarj seviyesini belirten 3 ışığa sahiptir, ne kadar çok ışık yanarsa, bataryada o kadar çok şarj kalmış demektir.
- Işıklar yanmıyorsa batarya boş demektir ve hemen şarj edilmelidir.

Bataryanın şarj cihazıyla şarj edilmesi (Şekil E)

1. Bataryayı (11) makineden çıkartın.
2. Bataryayı (11) baş aşağı konuma çevirin ve Şekil E'de gösterildiği gibi şarj cihazının (15) üzerine kaydırın.
3. Yuvaya tamamen itilene kadar bataryayı itin.
4. Şarj cihazı fişini bir elektrik çıkışına takın ve bir süre bekleyin. Şarj cihazı (14) üzerindeki LED göstergeleri yanacak ve şarj durumunu gösterecektir.

Şarj cihazı, şarj sürecinin durumunu gösteren 2 LED göstergesine (16) sahiptir.

Kırmızı LED Durumu	Yeşil LED Durumu	Şarj Cihazı Durumu
Kapalı	Kapalı	Güç yok
Kapalı	Açık	Bekleme modu: - Batarya yerleştirilmemiş veya, - Batarya yerleştirilmiş fakat şarj işlemi sona ermiş
Açık	Kapalı	Batarya şarja devam ediyor

- 2Ah bataryayı tam olarak şarj etmek 60 dakika sürebilir.
- 4Ah bataryayı tam olarak şarj etmek 120 dakika sürebilir.

Batarya tamamen şarj olduktan sonra şarj cihazı fişini prizden çıkarın ve bataryayı şarj cihazından çıkarın.



Makine daha uzun bir süre kullanılmadığında, bataryayı şarj edilmiş durumda saklamak en iyisidir.

İki parçalı karıştırıcının monte edilmesi (Şekil A)

1. Karıştırma milini (5) Karıştırıcı aparatına (6) vidalayın.
2. Her iki parçayı da sağlam şekilde sıkın.

Karıştırıcının değiştirilmesi (Şekil C)



Bir aksesuar monte ederken her zaman pili çıkarın.

Sadece belirlenen çapa uygun çırpma tellerini kullanın. Her zaman karıştırılacak/çırpılacak malzemeye uygun bir karıştırıcı kullanın. Uygun olmayan

bir karıştırıcı çubuk kullanılması hem makine hem de kullanıcıya aşırı yük yükleyebilir.

Karıştırıcının monte edilmesi

1. Monte edilen karıştırıcıyı saat yönünde gittiği yere kadar sıkarak alet tutucuya (4) vidalayın.
2. Karıştırıcıyı, ürünle birlikte gelen anahtarları kullanarak alet tutucuya sıkıca tutturun. Bunu yapmak için, alet tutucusunu (4) ürünle birlikte verilen anahtarlardan (10) birini kullanarak tutun ve monte edilen karıştırıcıyı sıkma için de ikinci anahtarı kullanın.

Karıştırıcının çıkartılması

1. Ürünle birlikte verilen anahtarları (10) kullanarak monte edilmiş karıştırıcıyı gevşetin. Bunu yapmak için, alet tutucusunu (4) ürünle birlikte verilen anahtarlardan (10) birini kullanarak tutun ve monte edilen karıştırıcıyı gevşetmek için de ikinci anahtarı kullanın.
2. Karıştırıcıyı saat yönünün tersi yönde çevirerek alet tutucusundan (4) sökün.

4. ÇALIŞTIRMA

Açma ve kapatma (Şekil A)

Açma/kapama düğmesi (7) makineyi çalıştırmak ve hızı ayarlamak için kullanılır.

- Makineyi çalıştırmak için, kilitleme düğmesine (8) basılı tutun ve açma/kapama düğmesine (7) basın.
- Makineyi durdurmak için açma/kapama düğmesini (7) bırakın.

Hız ayarı (Şekil B)

Gerekli hız, Hız ayar tekerleği (9). Ayrıca operasyon sırasında dönme hızı ayarlanabilir.

- Hızı arttırmak için hızı çevirin ayar düğmesi (9) saat yönünde.
- Hızı azaltmak için hızı çevirin ayar düğmesi (9) saat yönünün tersine.

Gerekli hızlar malzemeye göre değişir ve pratik testlerle belirlenebilir.

Optimum kullanım

- Örneğin emülsiyon boyası, vernikler, yapıştırıcı, derz dolgu macunu ve çimento harcı gibi düşük viskoziteli malzemelerde optimum kullanım için sola doğru dönen spiralli bir karıştırıcı uç önerilir. Sola doğru dönen bir spiral ile, malzeme yukarıdan aşağı doğru hareket ettirilir ve

karıştırıcı yukarı doğru itilir. Düşük viskoziteli malzemelerin sıçramayı en aza indirecek şekilde karıştırılması için düşük bir hız önerilir.

- Örneğin siva, beton, çimento, şap, dolgu ve epoksi reçinesi gibi yüksek viskoziteli malzemelerde optimum kullanım için sağa doğru dönen spiralli bir karıştırıcı uç önerilir. Sağa doğru dönen bir spiral ile, malzeme aşağıdan yukarı doğru hareket ettirilir ve karıştırıcı uç aşağı doğru çekilir (karışım yönünde çalışır). Yüksek viskoziteli malzemelerin iyice karıştırılması için yüksek bir hız önerilir.
- Optimum sonuçlar için, karıştırma sırasında aleti yukarı ve aşağı hareket ettirin.
- Kullanıldıktan sonra karıştırıcı ucu, örneğin suyla dolu bir kovada çalıştırmak suretiyle temizlemeniz önerilir.

5. BAKIM



Temizlik ve bakımdan önce her zaman makineyi kapatın ve pil takımını makineden çıkarın.

Makine kaplamalarını yumuşak bir bezle, tercihen her kullanımdan sonra düzenli olarak temizleyin. Havalandırma (3) deliklerinin toz ve kirden arınmış olduğundan emin olun. Çok inatçı kirleri sabun köpüğüyle ıslatılmış yumuşak bir bezle çıkarın. Benzin, alkol, amonyak vs. gibi çözücü maddeleri kullanmayın. Bunlar gibi kimyasallar sentetik bileşenlere zarar verecektir.

ÇEVRE



Arızalı ve/veya atılmış elektrikli veya elektronik ekipmanların uygun geri dönüşüm konularında toplanması gerekir.

Yalnızca AT ülkeleri için

Elektrikli aletleri evsel atık olarak atmayın. Atık Elektrikli ve Elektronik Donanım için Avrupa İlkeleri 2012/19/EU'ya ve bunun yerel hukuk çerçevesinde uygulamasına göre, artık kullanılamaz olan elektrikli aletler ayrı olarak toplanmalı ve çevre dostu bir yolla imha edilmelidir.

GARANTİ

VONROC ürünleri yüksek kalite standartları doğrultusunda geliştirilmiştir ve ilk satın alımdan itibaren kanunen belirlenen süre boyunca materyal ve işçilik açısından kusursuz olacağı garanti edilmektedir. Bu süre zarfında, kusurlu materyal ve/veya işçilikten dolayı üründe herhangi bir arıza meydana gelmesi durumunda, doğrudan VONROC iletişim kurun.

Takip eden durumlar bu garanti kapsamı dışındadır:

- Yetkisiz servis merkezleri tarafından yapılan veya yapılmaya teşebbüs edilen onarım ve/veya değişiklikler.
- Normal aşınma ve eskime.
- Cihazın kötü ve yanlış kullanılması veya cihaza yanlış bakım yapılması.
- Orijinal olmayan yedek parçaların kullanılması.

Bu, şirket tarafından açık ya da zımni verilmiş tek garantiyi oluşturur. Belirli bir amaç için ticarete elverişlilik ve uygunluğun zımni garantileri dahil dış görünüşünün ötesine uzanan açık veya zımni başka hiçbir garanti yoktur. VONROC herhangi bir arıza veya dolaylı zarardan hiçbir halükarda sorumlu olmayacaktır. Bayilerin getireceği çözümler uygunsuz birimlerin veya parçaların onarımı veya değiştirilmesiyle sınırlı olacaktır.

Ürün ve kullanıcı kılavuzu değişikliğe tabidir. Spesifikasyonlar başka bir uyarı olmaksızın değiştirilebilir.



DECLARATION OF CONFORMITY PM506DC / S_PM506DC / S2_PM506DC / S3_PM506DC - PAINT/CEMENT MIXER

- (EN) We declare under our sole responsibility that this product is in conformity with directive 2011/65/EU of the European parliament and of the council of 8 June on the restriction of the use of certain hazardous substances in electrical and electronic equipment is in conformity and accordance with the following standards and regulations:
- (DE) Der Hersteller erklärt eigenverantwortlich, dass dieses Produkt der Direktive 2011/65/EU des Europäischen Parlaments und des Rats vom 8. Juni 2011 über die Einschränkung der Anwendung von bestimmten gefährlichen Stoffen in elektrischen und elektronischen Geräten entspricht, den folgenden Standards und Vorschriften entspricht:
- (NL) Wij verklaren onder onze volledige verantwoordelijkheid dat dit product voldoet aan de conform Richtlijn 2011/65/EU van het Europees Parlement en de Raad van 8 juni 2011 betreffende beperking van het gebruik van bepaalde gevaarlijke stoffen in elektrische en elektronische apparatuur en in overeenstemming is met de volgende standaarden en reguleringen:
- (FR) Nous déclarons sous notre seule responsabilité que ce produit est conforme aux standards et directives suivants: est conforme à la Directive 2011/65/EU du Parlement Européen et du Conseil du 8 juin 2011 concernant la limitation d'usage de certaines substances dangereuses dans l'équipement électrique et électronique.
- (ES) Declaramos bajo nuestra exclusiva responsabilidad que este producto cumple con las siguientes normas y estándares de funcionamiento: se encuentra conforme con la Directiva 2011/65/UE del Parlamento Europeo y del Consejo de 8 de junio de 2011 sobre la restricción del uso de determinadas sustancias peligrosas en los equipos eléctricos y electrónicos.
- (IT) Dichiariamo, sotto la nostra responsabilità, che questo prodotto è conforme alle normative e ai regolamenti seguenti: è conforme alla Direttiva 2011/65/UE del Parlamento Europeo e del Consiglio dell'8 giugno 2011 sulla limitazione dell'uso di determinate sostanze pericolose nelle apparecchiature elettriche ed elettroniche.
- (SV) Vi garanterar på eget ansvar att denna produkt uppfyller och följer följande standarder och bestämmelser: uppfyller direktiv 2011/65/EU från Europeiska parlamentet och EG-rådet från den 8 juni 2011 om begränsningen av användning av farliga substanser i elektrisk och elektronisk utrustning.
- (DA) Vi erklærer under eget ansvar, at dette produkt er i overensstemmelse med følgende standarder og bestemmelser: er i overensstemmelse med direktiv 2011/65/EU fra Europa-Parlamentet og Rådet af 8. juni 2011 om begrænsning af anvendelsen af visse farlige stoffer i elektrisk og elektronisk udstyr.
- (PL) Deklarujemy na własną odpowiedzialność, że ten produkt spełnia wymogi zawarte w następujących normach i przepisach: jest zgodny z Dyrektywą 2011/65/UE Parlamentu Europejskiego i Rady z dnia 8 czerwca 2011 r. w sprawie ograniczenia stosowania niektórych niebezpiecznych substancji w sprzęcie elektrycznym i elektronicznym.
- (RO) Declarăm prin aceasta cu răspunderea deplină că produsul acesta este în conformitate cu următoarele standarde sau directive: este în conformitate cu Directiva 2011/65/UE a Parlamentului European și a Consiliului din 8 iunie 2011 cu privire la interzicerea utilizării anumitor substanțe periculoase la echipamentele electrice și electronice.
- (TR) Tek sorumlusu biz olmak üzere bu ürünün Avrupa Parlamentosunun 2011/65/EU ve 8 Haziran 2011 tarihli konseyin elektrikli ve elektronik ekipmanlarda belirlenmiş tehlikeli malzeme kullanımının kısıtlanması hakkındaki talimatları ile birlikte aşağıda belirtilen standart ve yönergelere uygun ve uyumlu olduğunu beyan ederiz:

**EN 55014-1, EN 55014-2, EN 60745-1, EN ISO 12100, EN 61000-3-2, EN 61000-3-3
2006/42/EC, 2014/30/EU, 2012/19/EU, 2011/65/EU**

Zwolle, 01-07-2021

H.G.F Rosberg
CEO

VONROC • Lingenstraat 6 • 8028 PM Zwolle • The Netherlands



VONROC®
BUILD YOUR FUTURE

©2021 VONROC
WWW.VONROC.COM

2107-20