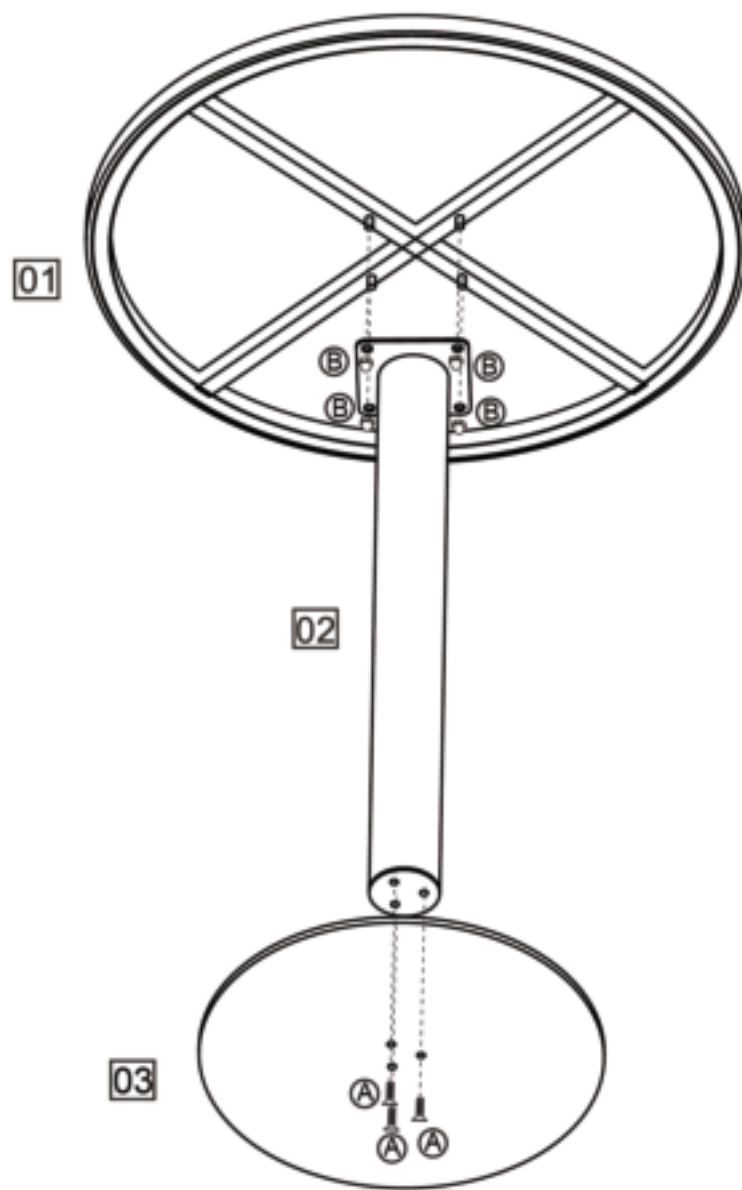


## COMPONENT PARTS

## FITTINGS



(A)



(M8x20CM)

x3

(B)



x4

## COMPONENT CHECKLIST

PART	No.	Qty.	
Desktop	01	1	<input type="checkbox"/>
Desk post	02	1	<input type="checkbox"/>
Chassis	03	1	<input type="checkbox"/>

## TOOLS REQUIRED



Allen key (supplied)



Spanner (supplied)