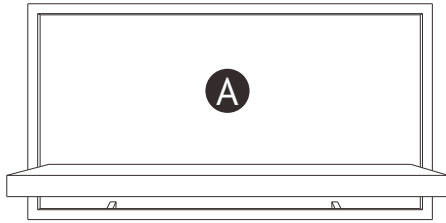
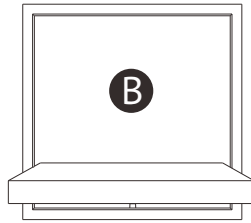


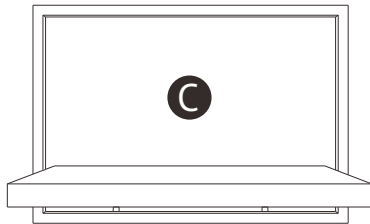
MEET THE OTHER



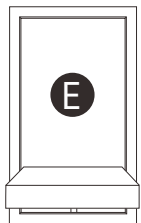
65x25.5x35 cm



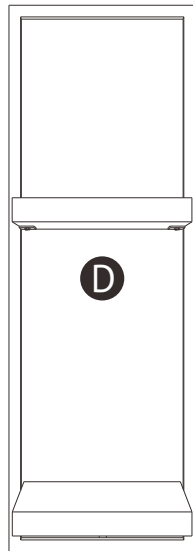
35x25.5x35 cm



50x25.5x35 cm



20x25.5x35 cm

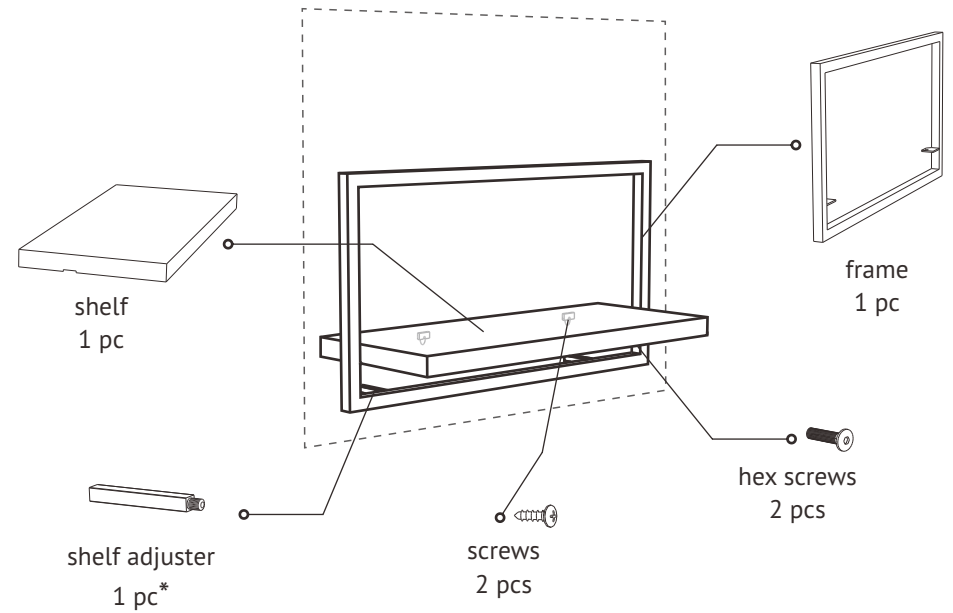


25x25.5x75 cm

ASSEMBLING INSTRUCTIONS

LET'S GET STARTED!

(check if all parts are in the box)

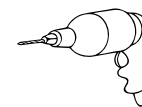


* note : SHELF A and C has 2 adjusters
B, D and E have only 1

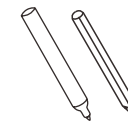
TOOLS YOU NEED TO PREPARE



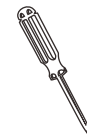
allen key
(included)



drill



marker / pencil



screwdriver



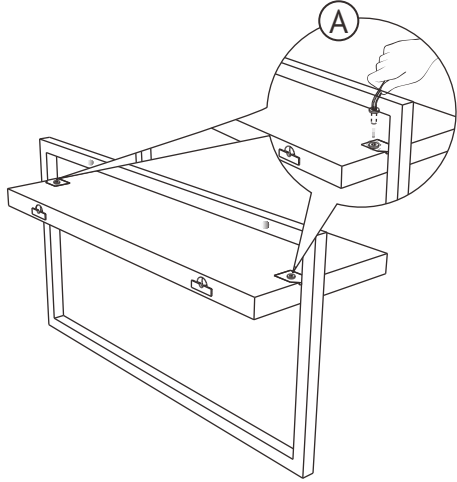
wall plugs



100%
RECLAIMED
TEAKWOOD

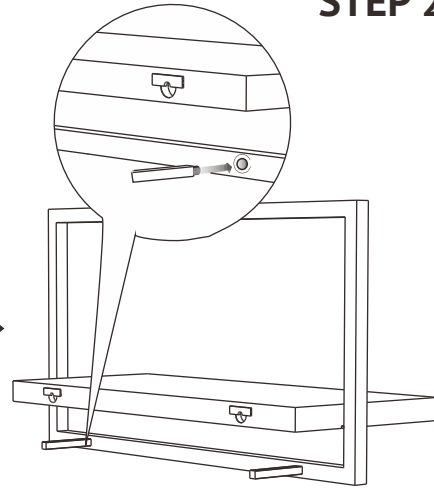
printed on recycled paper, of course ♻️

STEP 1



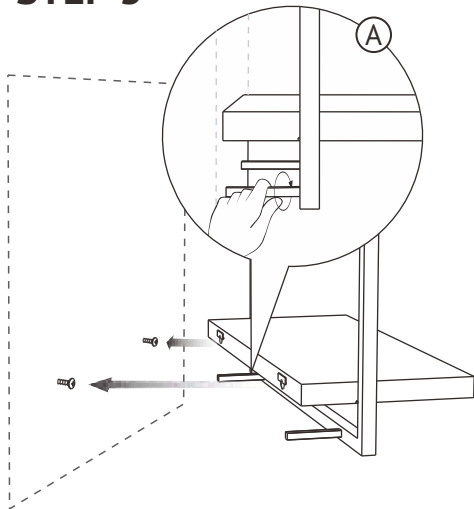
Screw the shelf in its frame as pictured above, then tighten the screws (A)

STEP 2



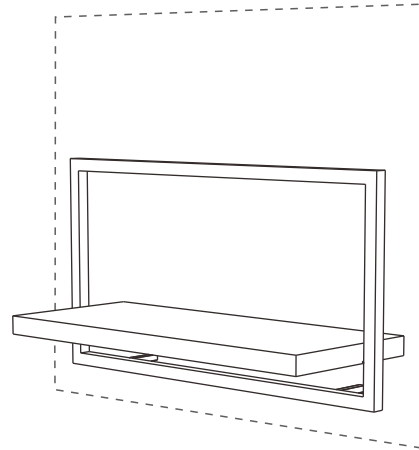
Place the adjuster(s)
note: SHELF B, D and E have only 1 adjuster

STEP 3



Attach screws to the wall. Hang the SHELF and fine tune with adjuster(s) (A)

STEP 4



Congratulations!
Your SHELF is ready

MAKE IT EASY, USE THE TOOLKIT

1. Cut out the measurement Tee (A) and use the inside of the box as a drill hole template (B)

2. Pierce the drill marks, position the box and transfer the marks to the wall

3. Drill holes at the marked spots

4. Screw the screw into the wall (use plugs if necessary)

More hanging tips on our website.

SPACING

Use the Tee to position the SHELF modules towards each other horizontally and vertically