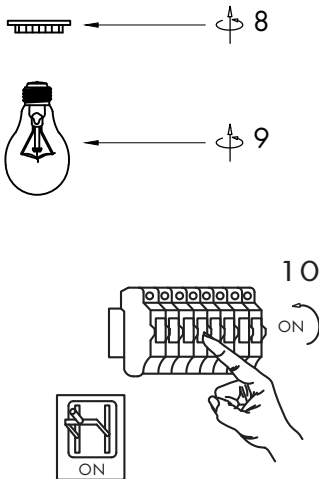
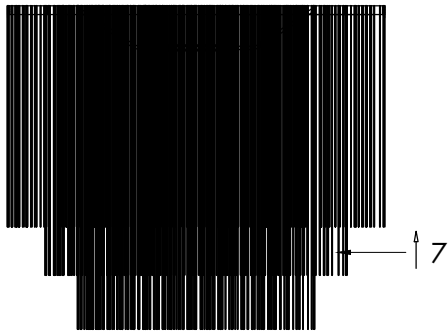
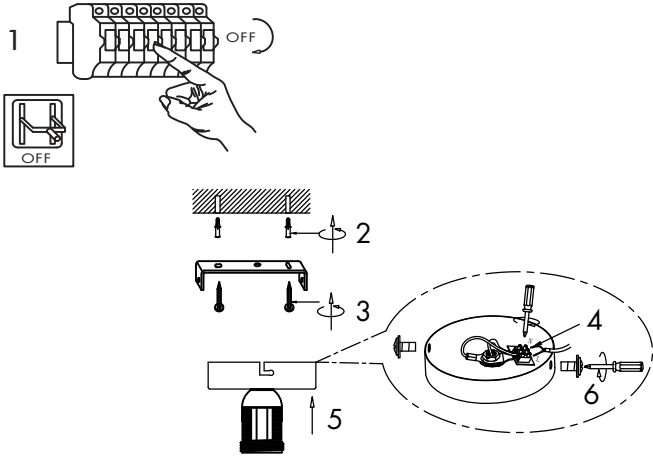


# INSTRUCTION MANUAL



Franxa CL  
103494, 103495, 103496



Overall Sizes:

