




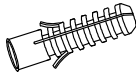
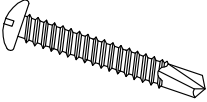






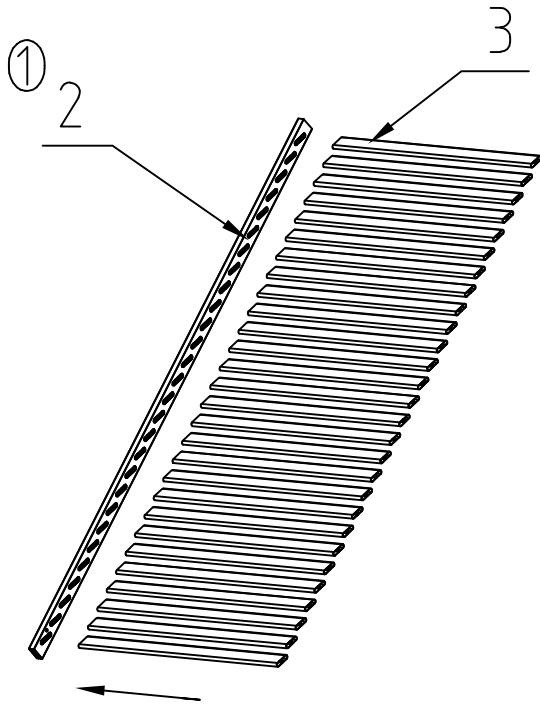
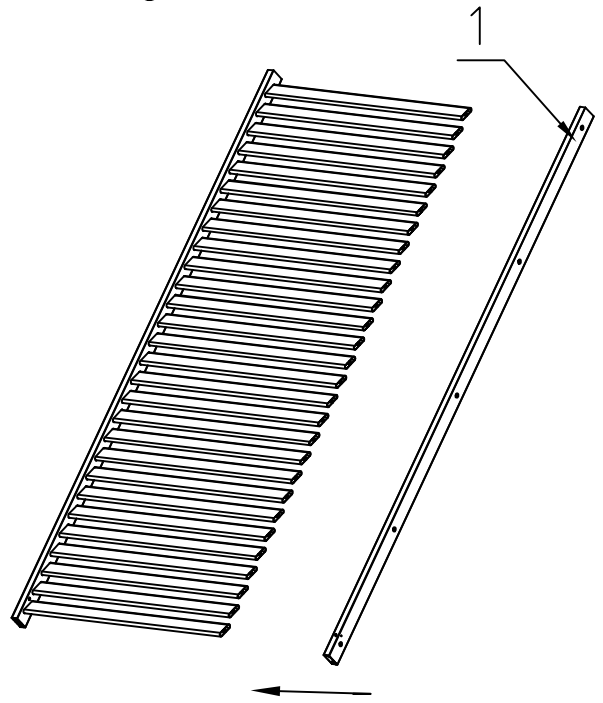


REF	PARTS	QTY	SPECS
1		1	60X25X2322
2		1	60X25X2322
3		28	65X15X923
4		2	
5		4	ST5.5X50
6		4	8X40
7		2	ST4.8X38
8		3	ST4.8X25
9		10	ST4.8X30
10		1	930
11		1	930
12		2	
13		12	ST4.2X25

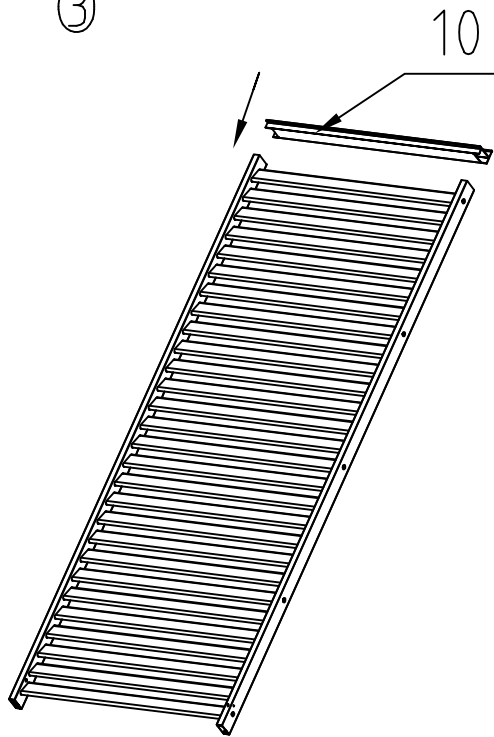
1



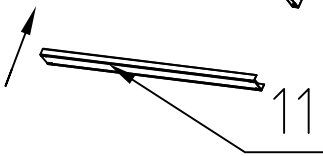
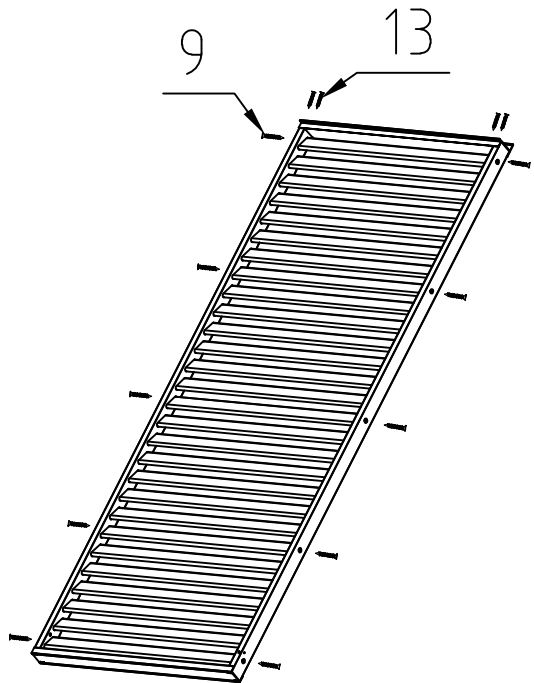
2



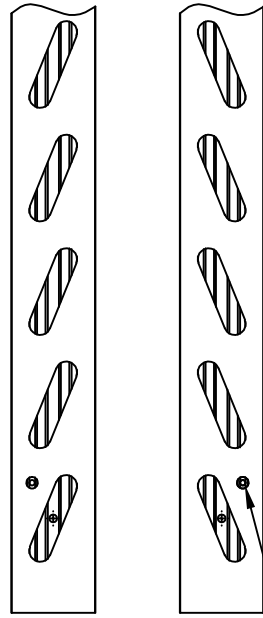
3



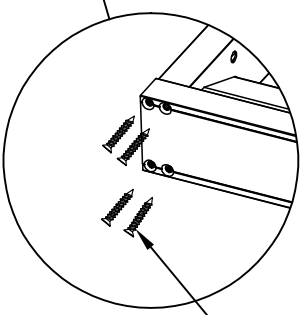
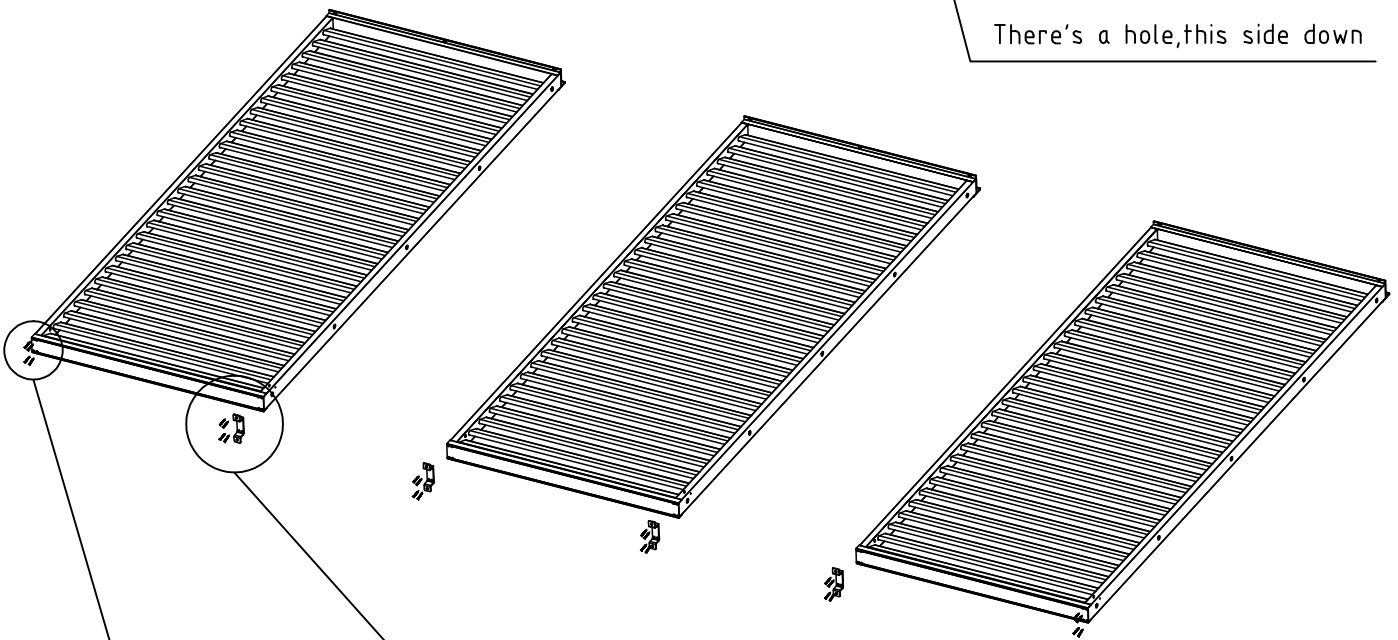
4



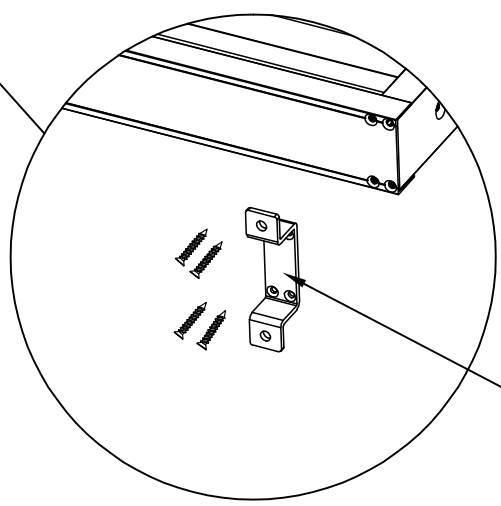
2



There's a hole, this side down

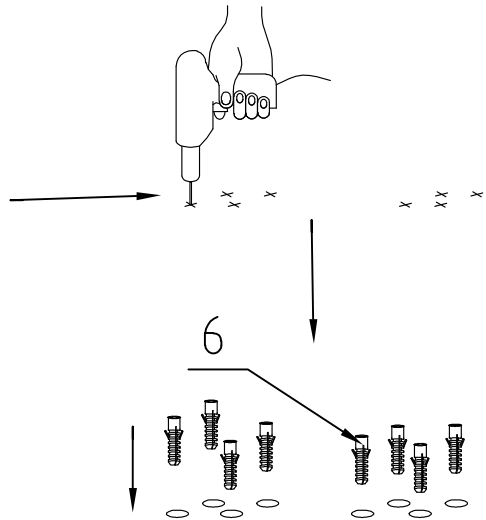
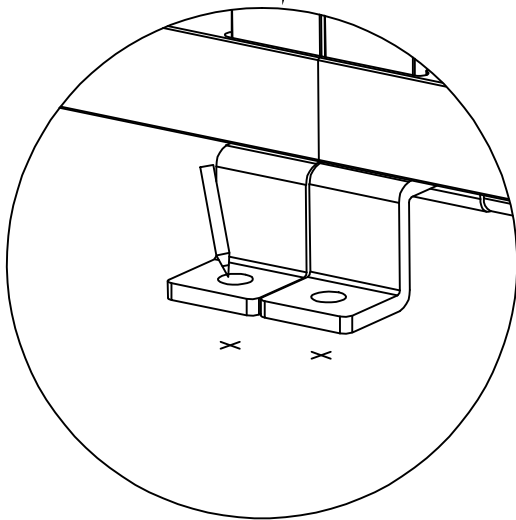


13

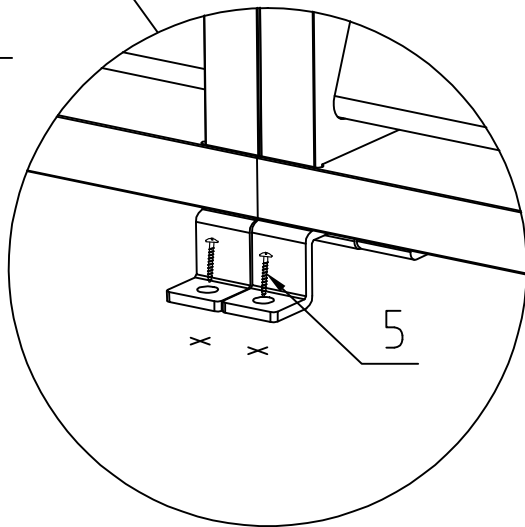
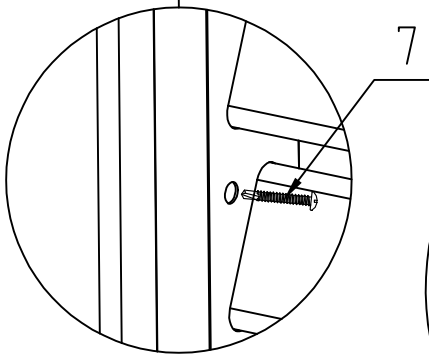
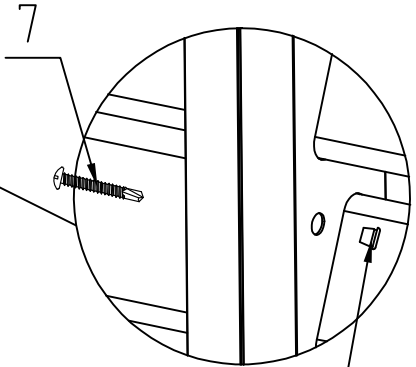
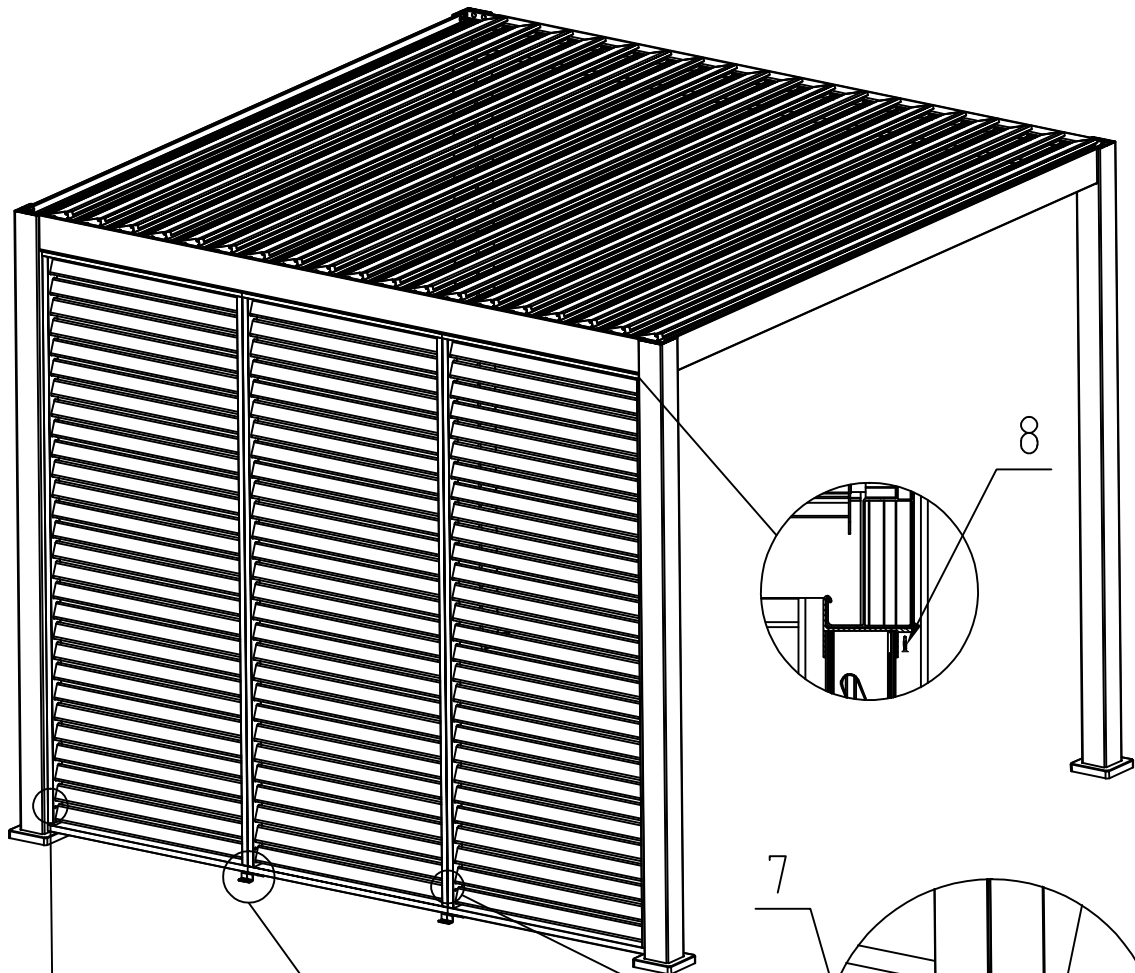


4

3



4



12