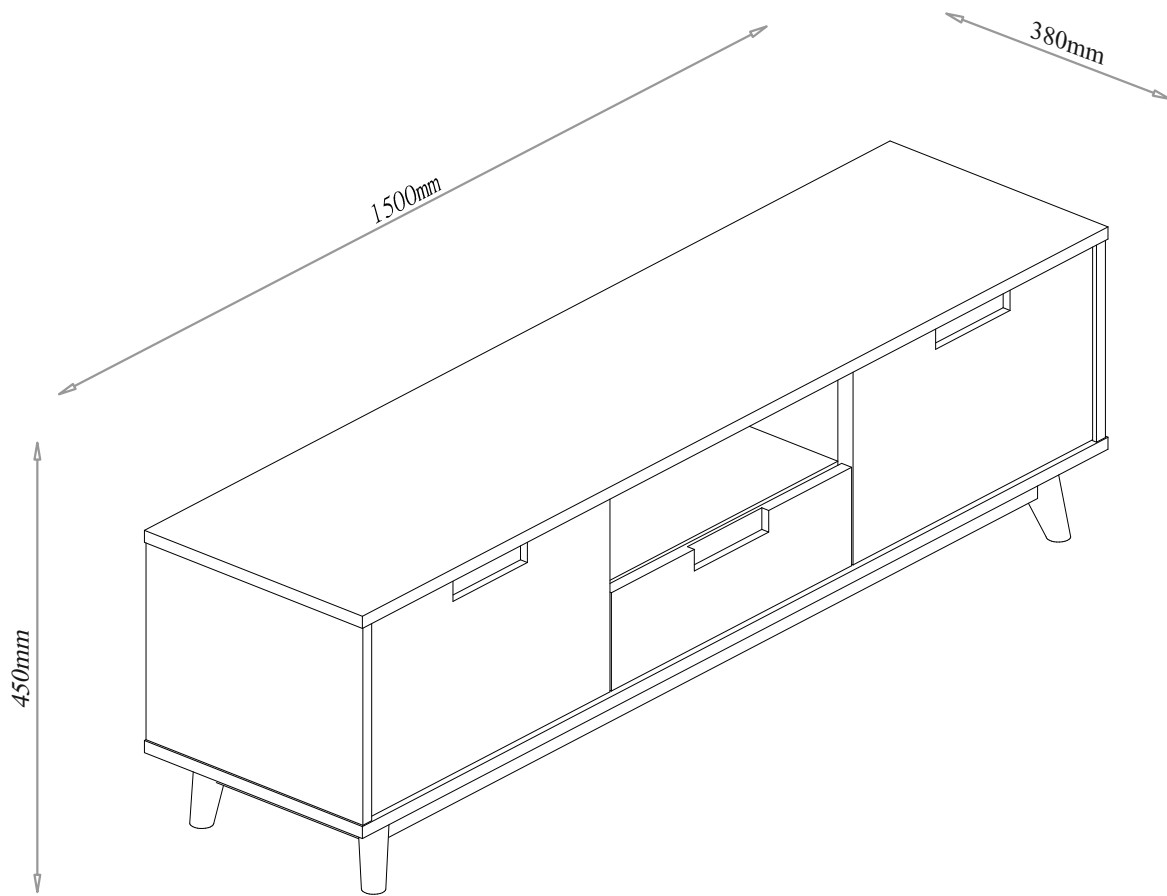
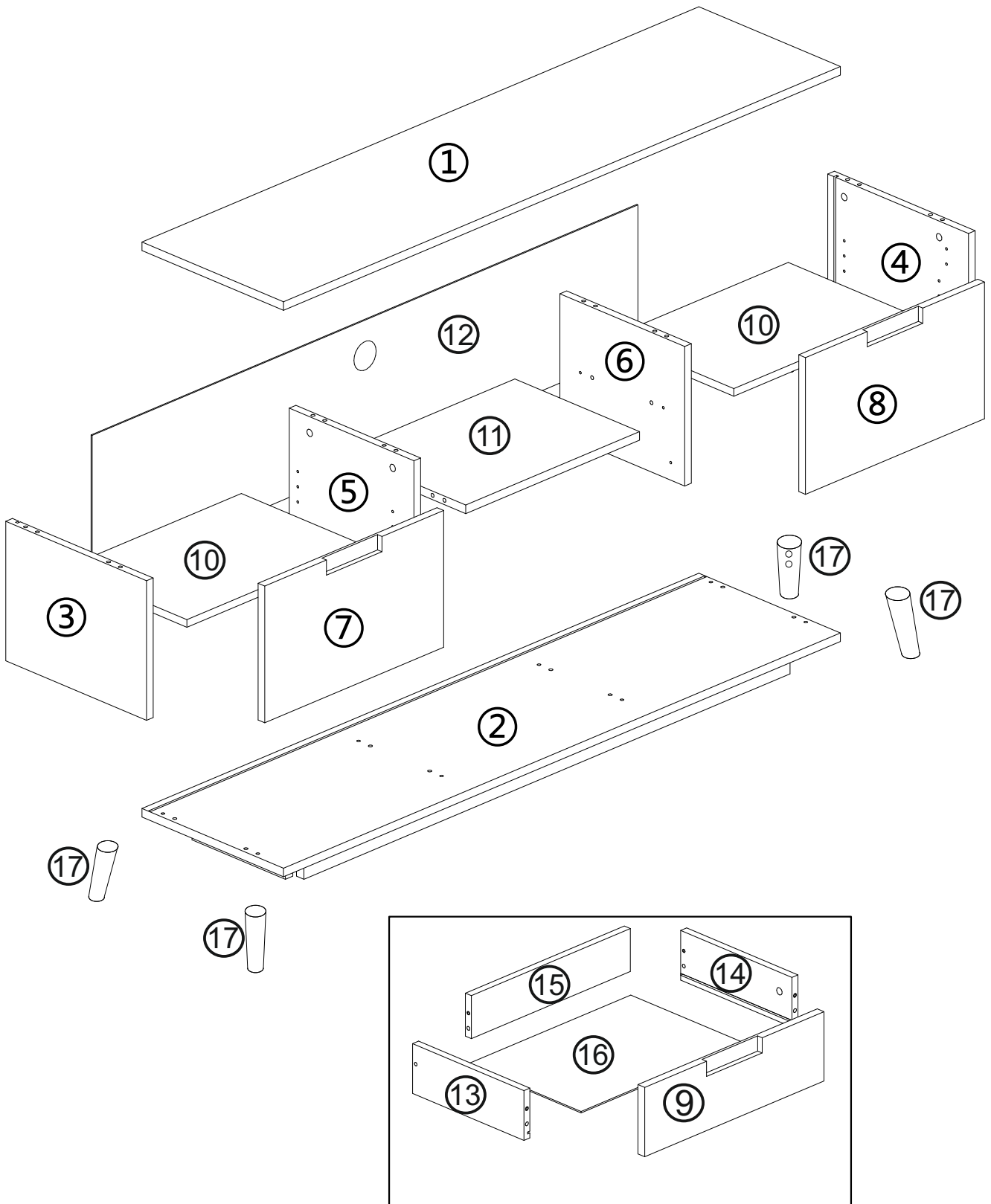
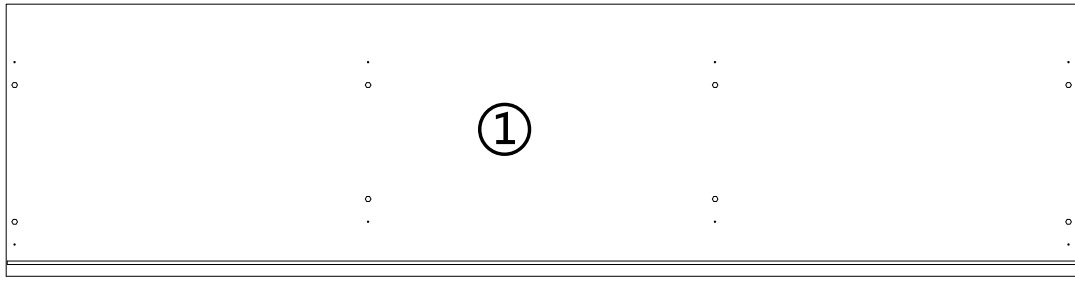


Copenhagen
TV-Bench

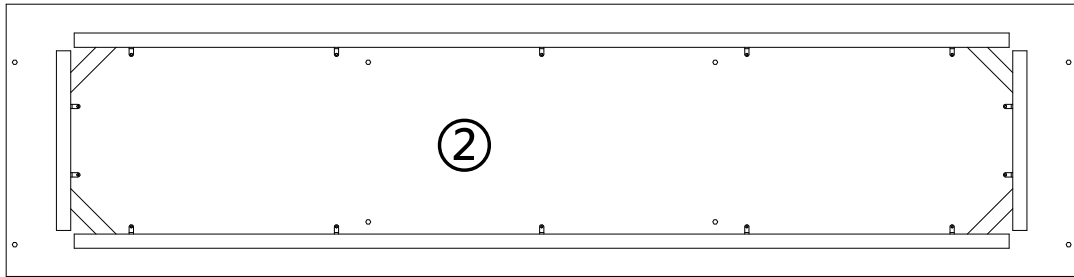
2501002
2501003



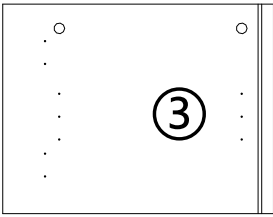




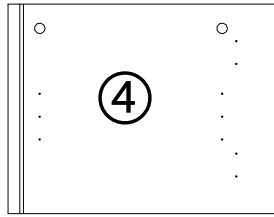
1500x380x15mm(x1)



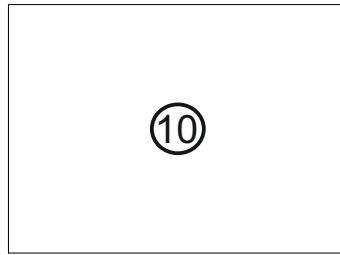
1500x380x18mm(x1)



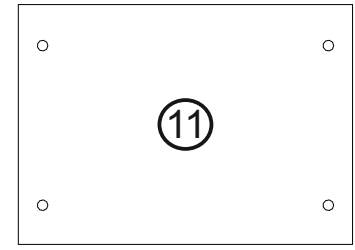
294x378x18mm(x1)



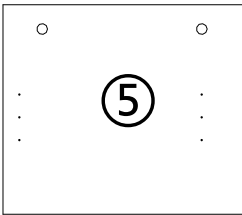
294x378x18mm(x1)



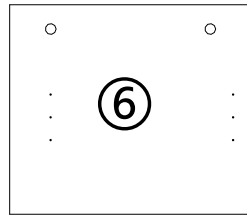
476x329x16mm(x2)



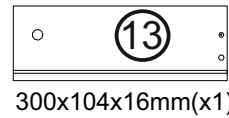
469x336x18mm(x1)



294x336x18mm(x1)



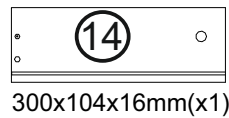
294x336x18mm(x1)



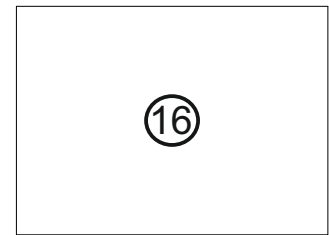
300x104x16mm(x1)



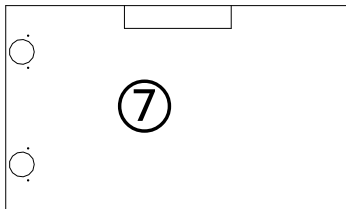
484x146x18mm(x1)



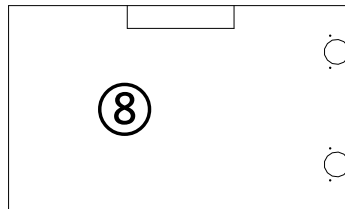
300x104x16mm(x1)



439x305x3mm(x1)



288x483x18mm(x1)



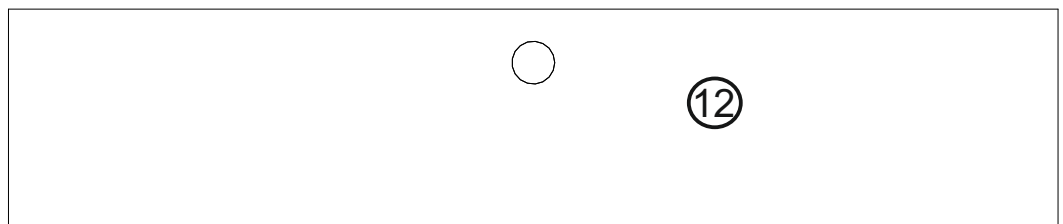
288x483x18mm(x1)








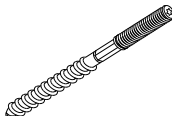
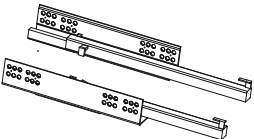


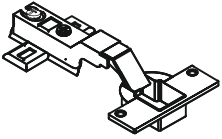
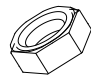
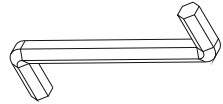

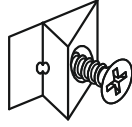
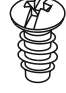


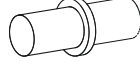

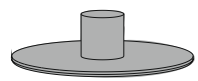
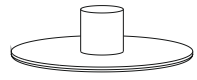
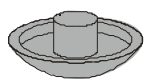
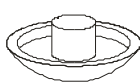
429x90x16mm(x1)



40x40x120mm(x4)



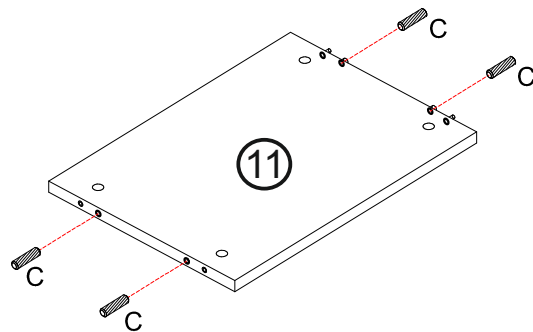
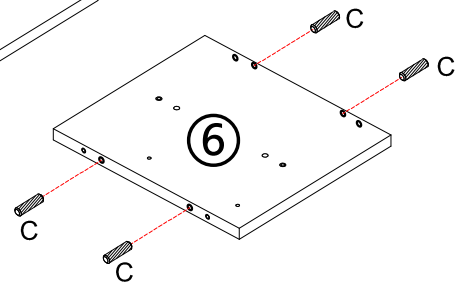
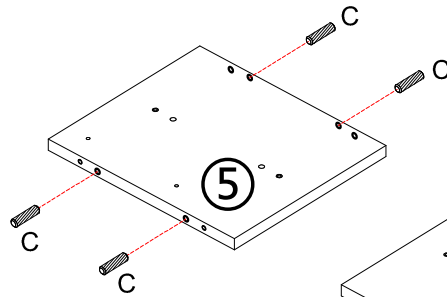
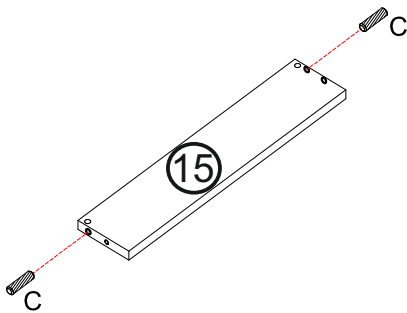
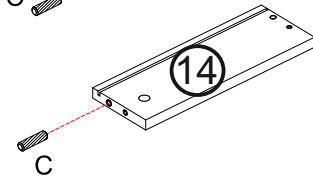
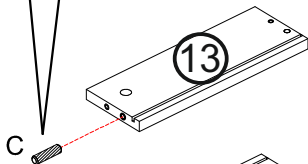
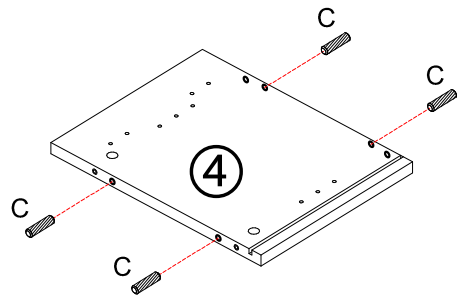
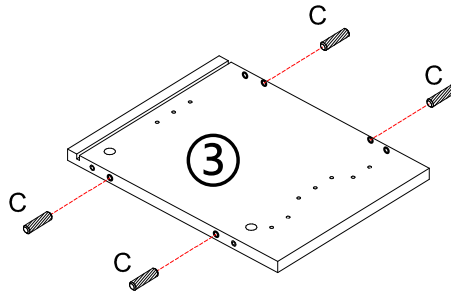
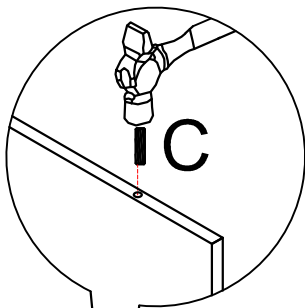
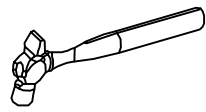
1473x306x3mm(x1)

			
$\phi 7 \times 43 \text{mm}$ 14xA	$\phi 15 \times 12 \text{mm}$ 2xB	$\phi 8 \times 30 \text{mm}$ 24xC	$\phi 6,3 \times 50 \text{mm}$ 10xD
			
$\phi 3.5 \times 13 \text{mm}$ 8xH	$\phi 8 \times 100 \text{mm}$ 4xF	L:300mm 1xG	$\phi 15 \times 14 \text{mm}$ 12xH
			
$\phi 24 \text{mm}$ 8xJ	4xK	$\phi 24 \text{mm}$ 4xL	M4 1xM
			
$\phi 24 \text{mm}$ 4xN	8xO	$\phi 6,3 \times 13 \text{mm}$ 8xP	$\phi 6,3 \times 13 \text{mm}$ 4xQ
			
$\phi 3.5 \times 16 \text{mm}$ 4xR	$\phi 5$ 8xS	1xT	12xY
			
2xZ	8xV	2xW	

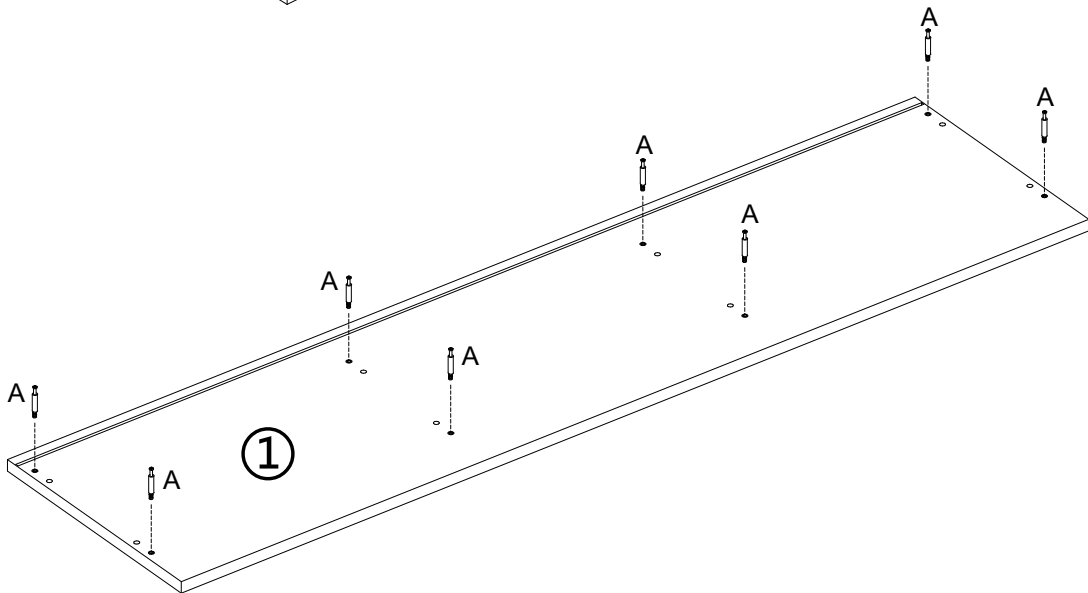
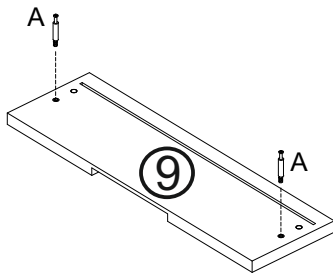
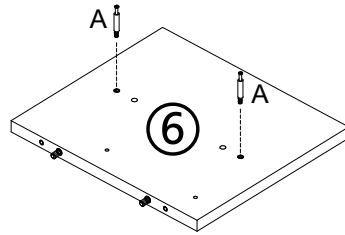
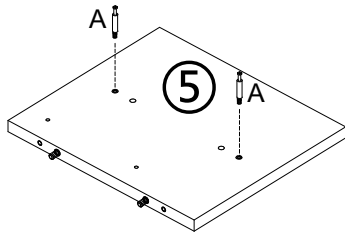
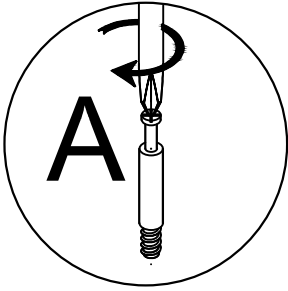
1



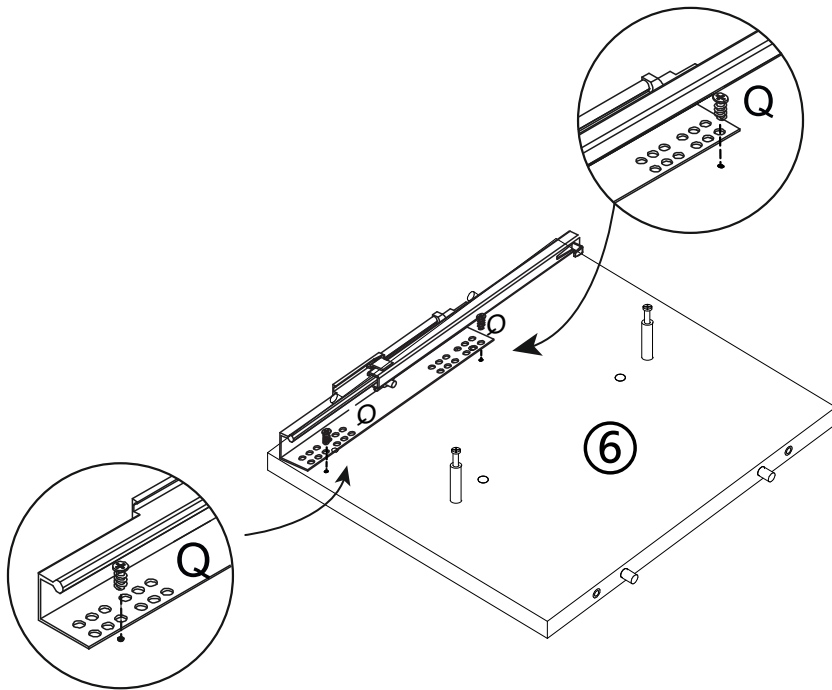
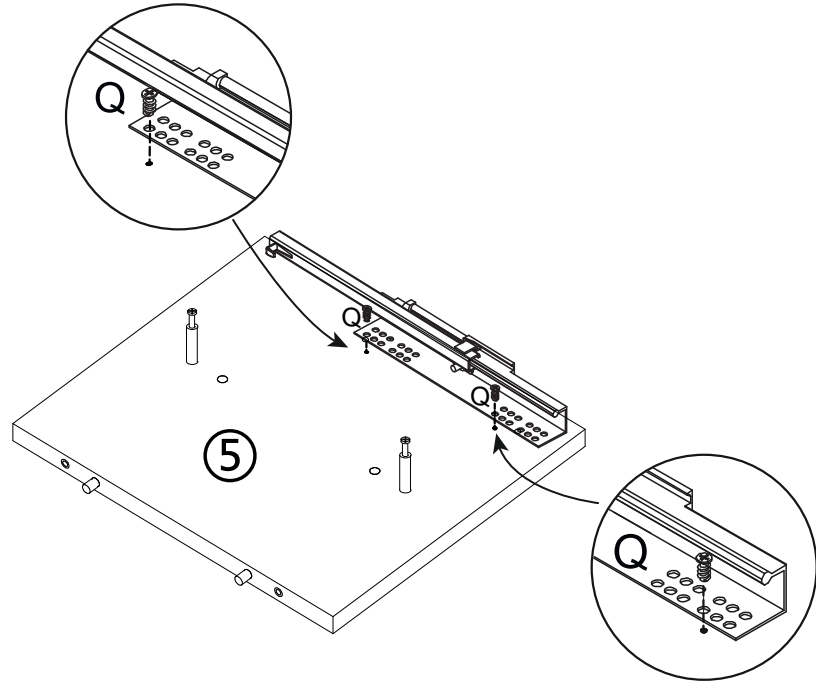
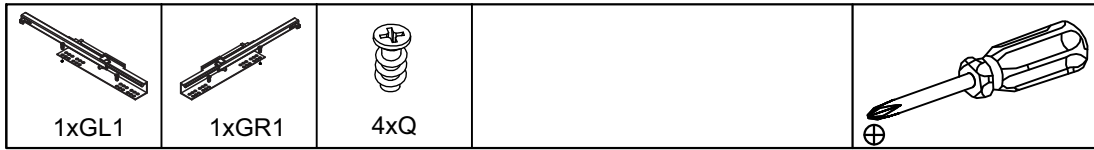
Cx24









2

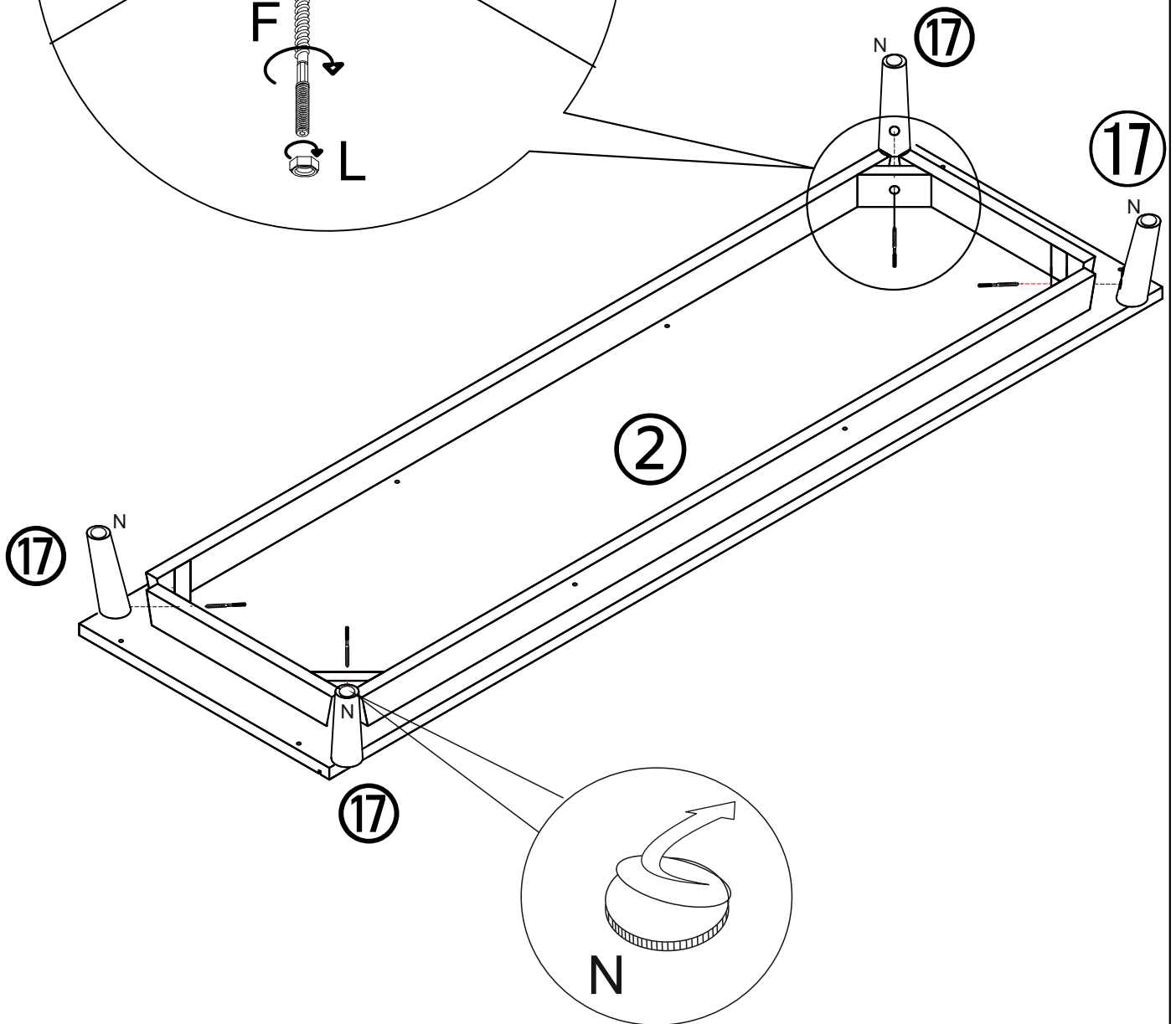
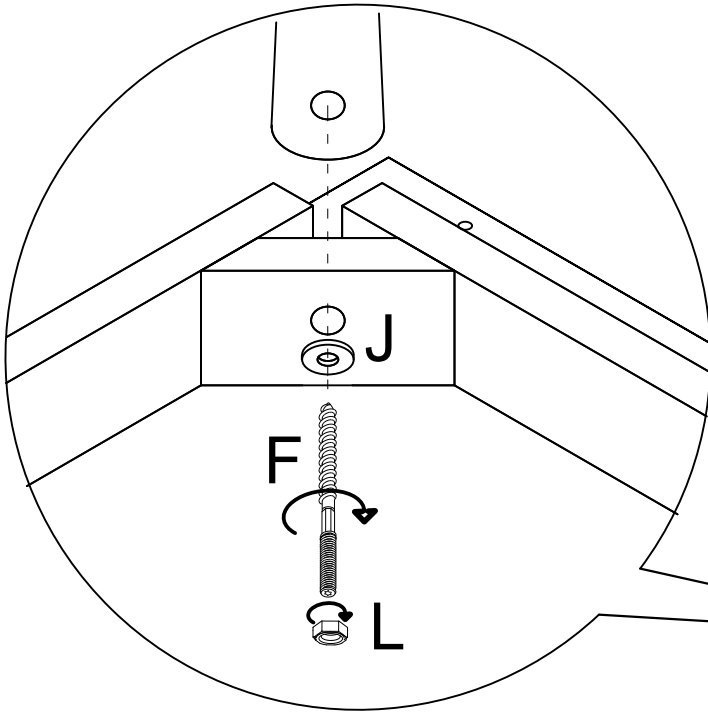


3



4

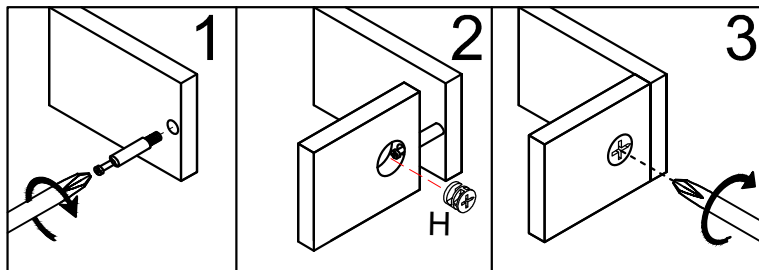
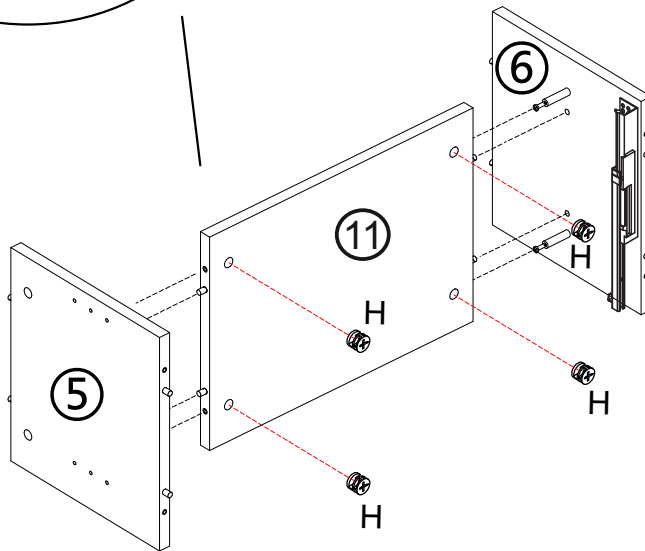
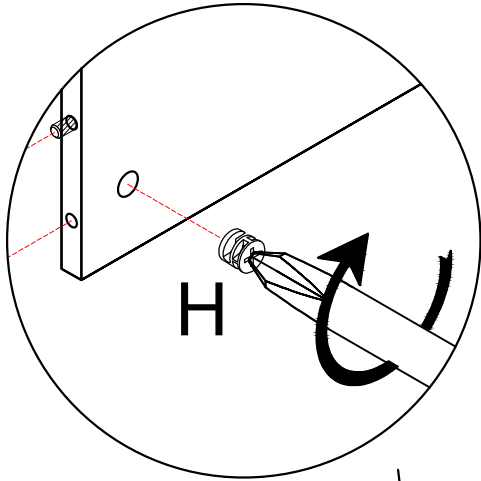
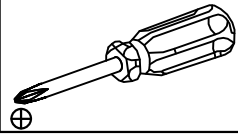
 4xF	 4xJ	 4xL	 4xN		
					 t25



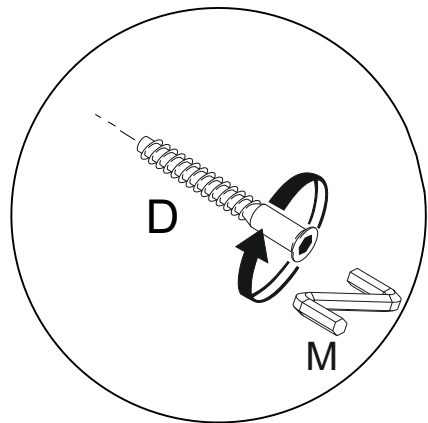
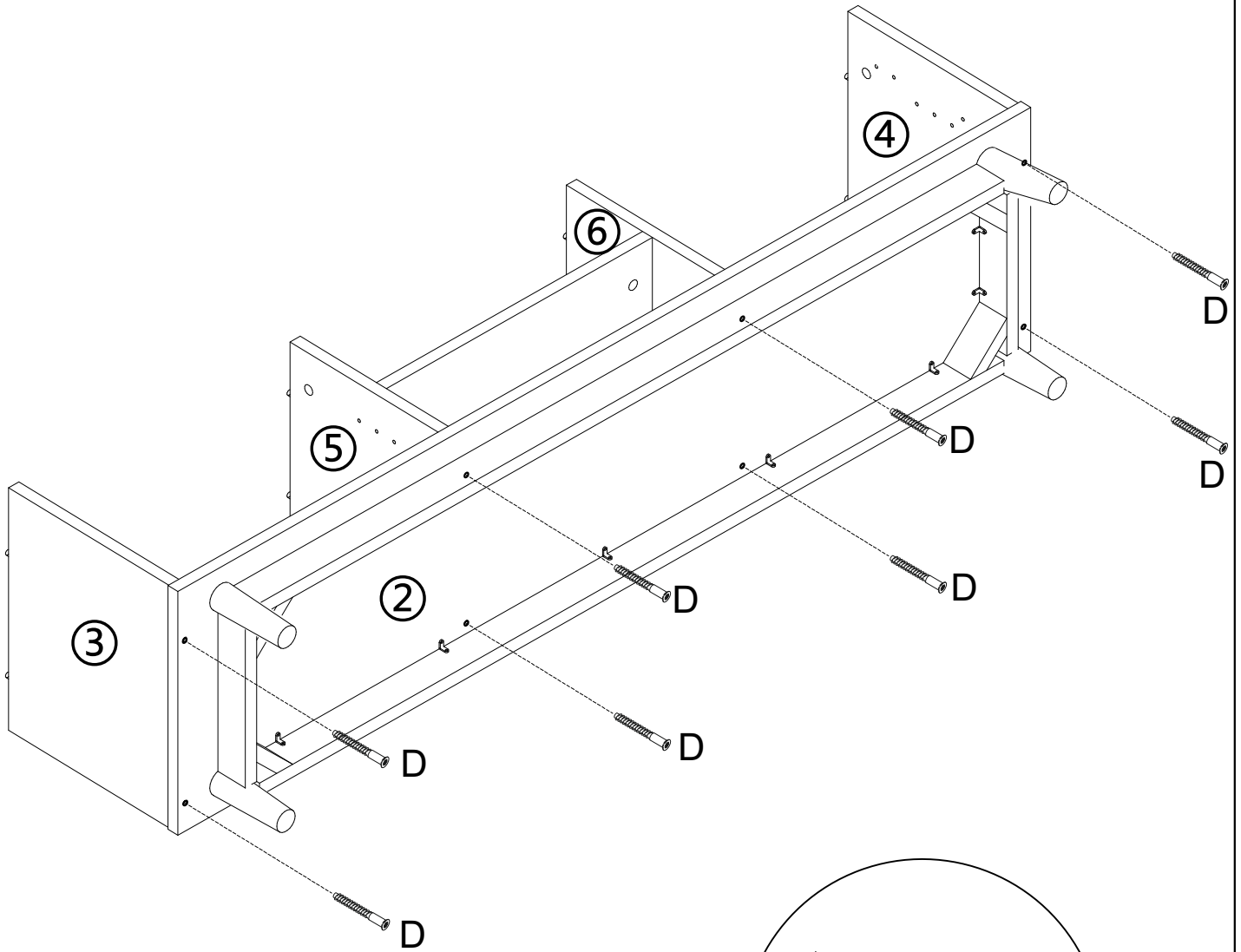
5



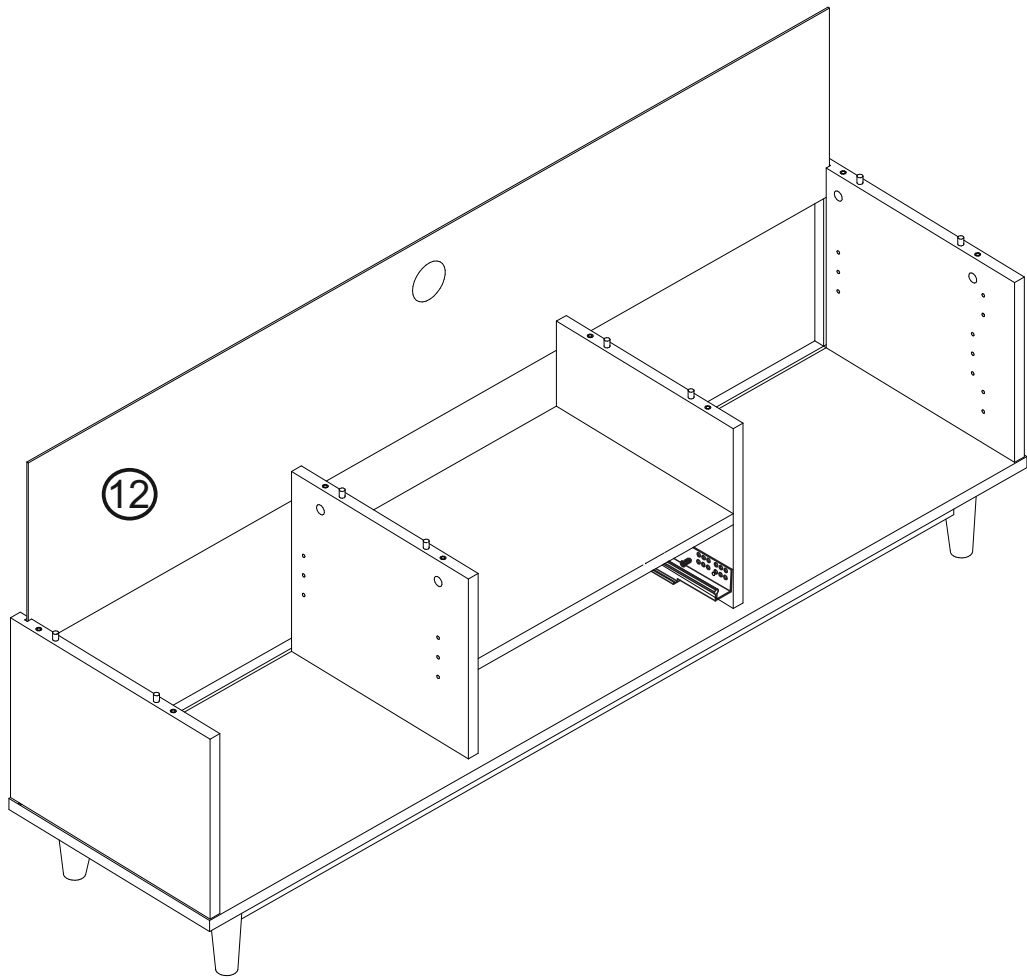
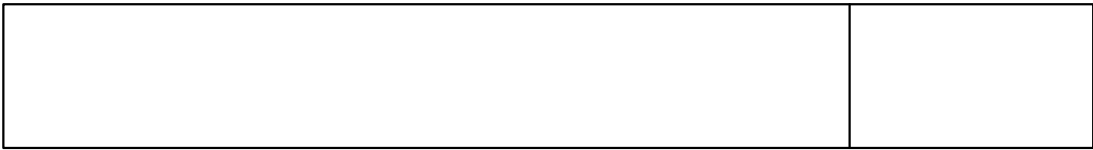
Hx4



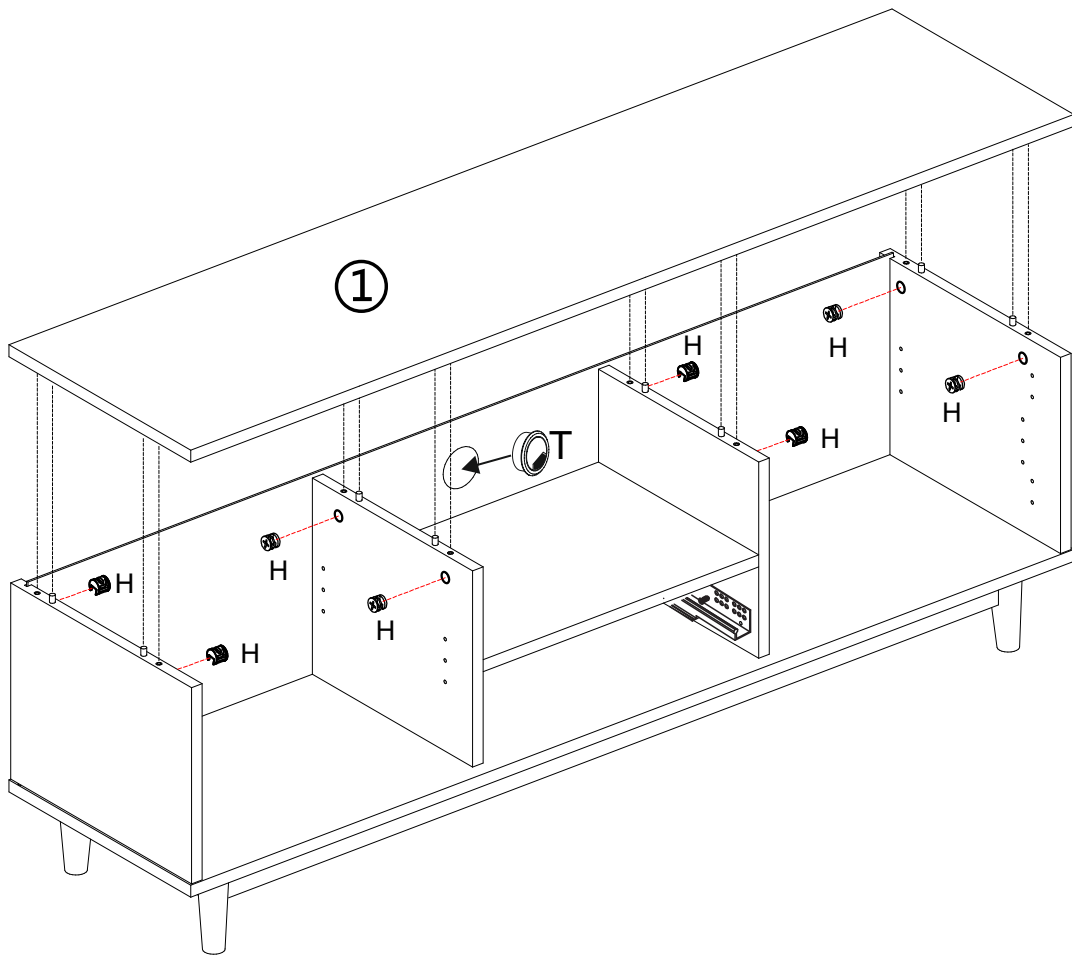
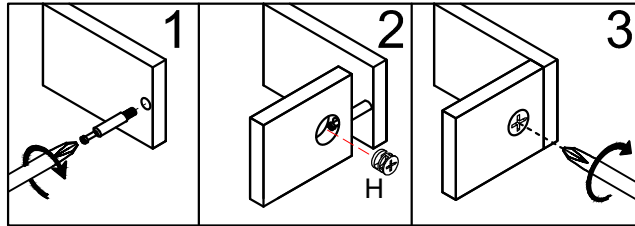
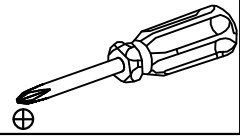
6



7



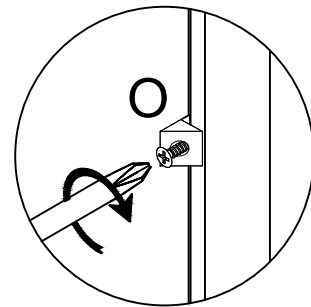
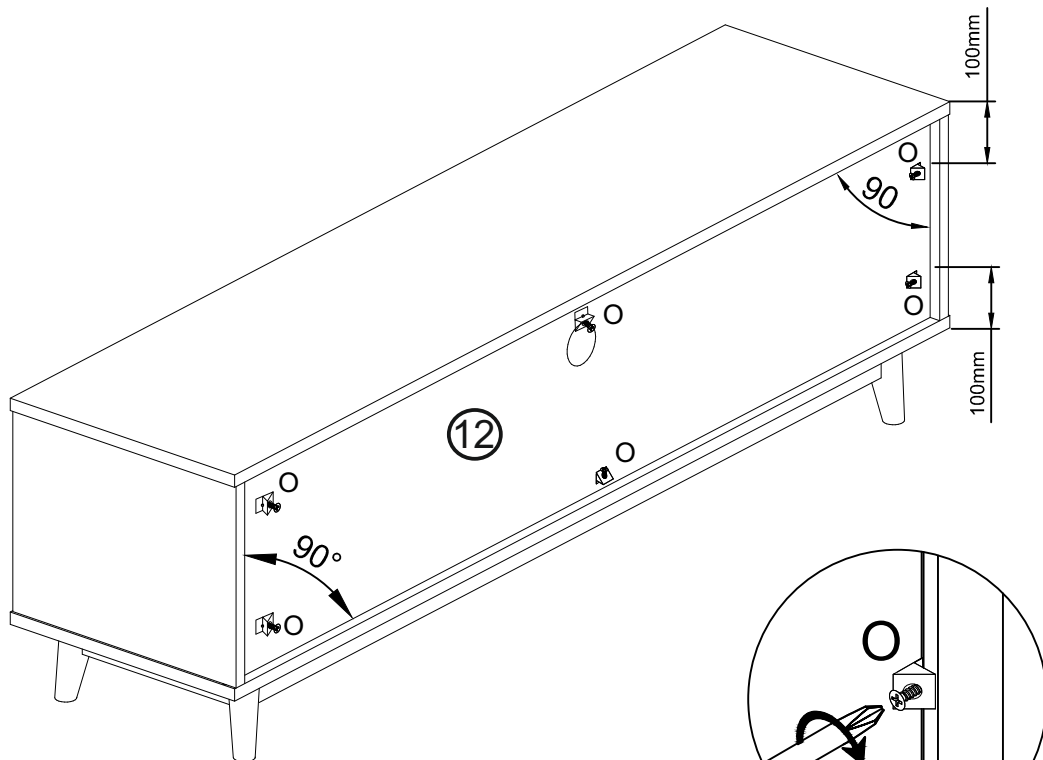
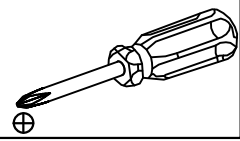
8



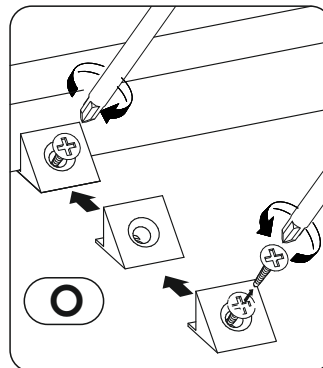
9



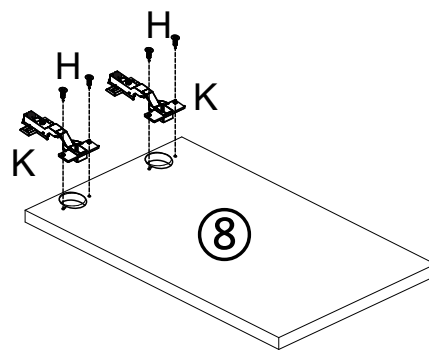
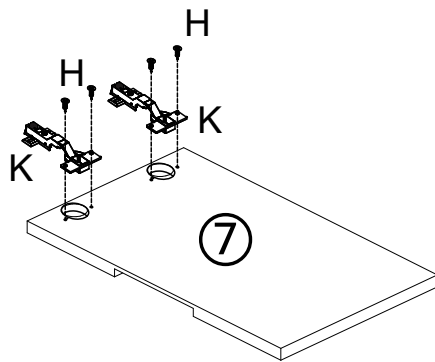
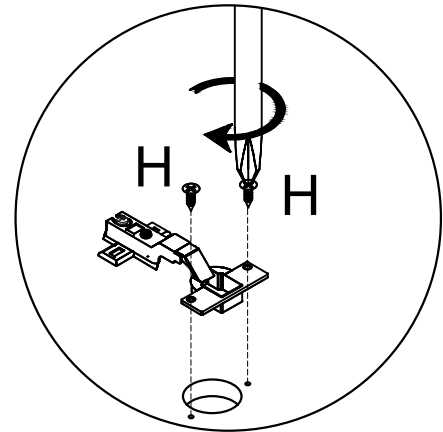
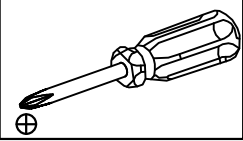
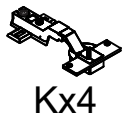
Ox8



1. Please remove the screw from the plastic cap
2. Place the plastic cap in the right position
3. Add the screw in the plastic cap and screw it through



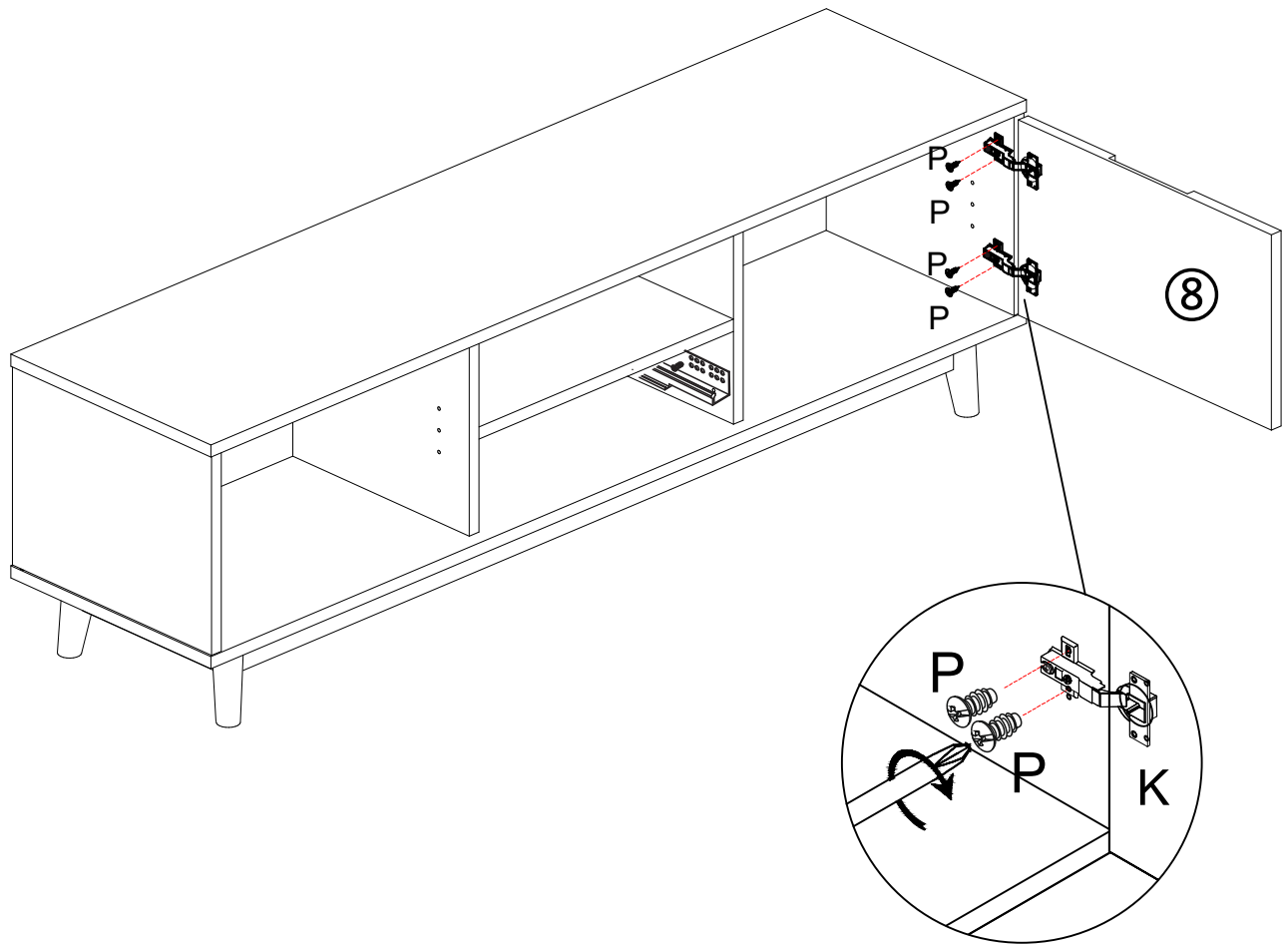
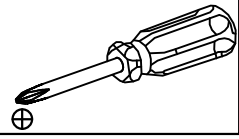
10



11



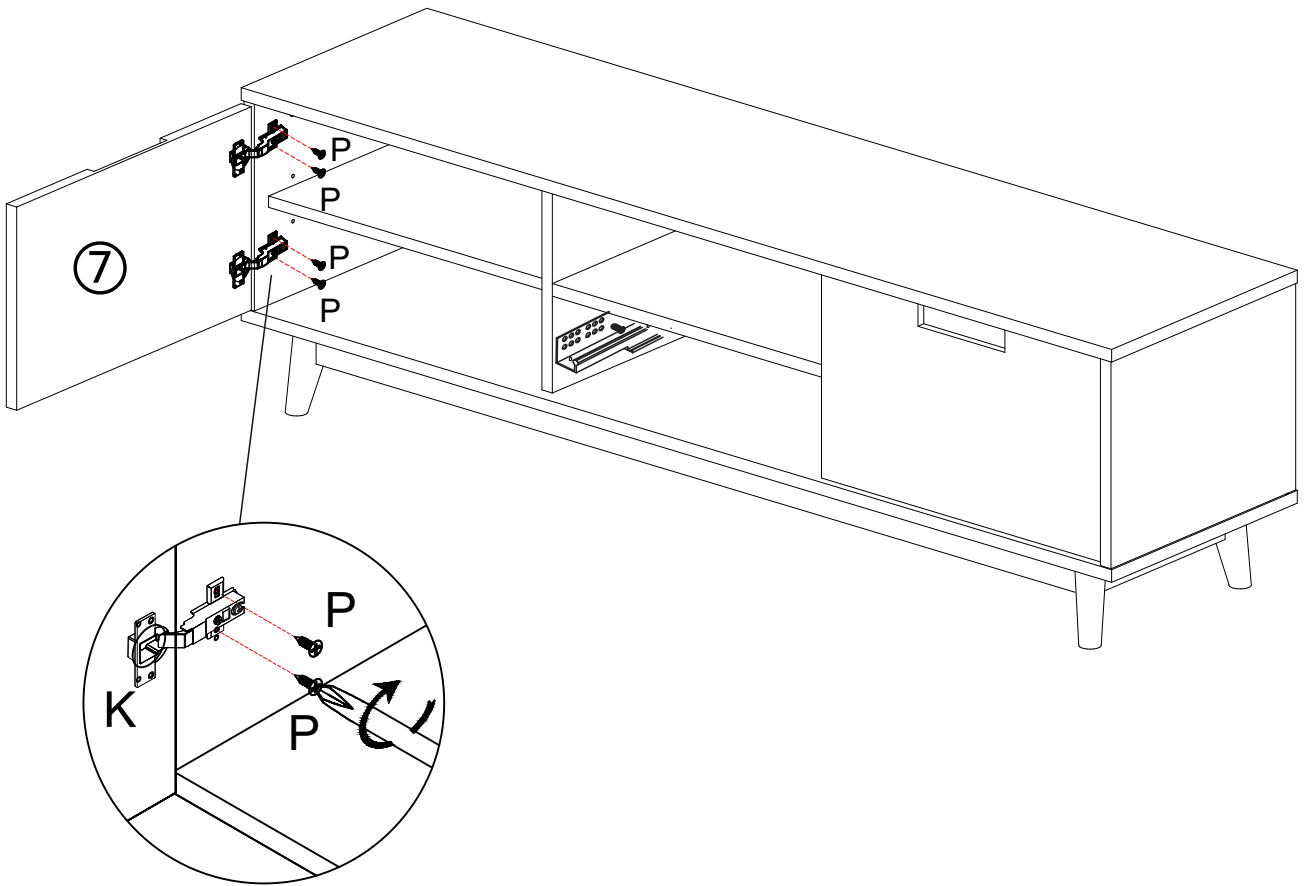
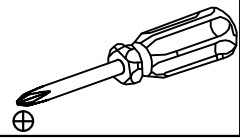
4xP



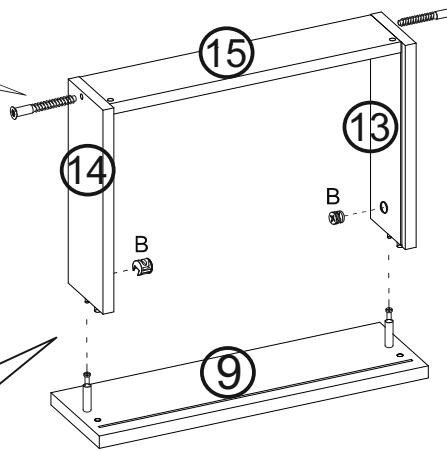
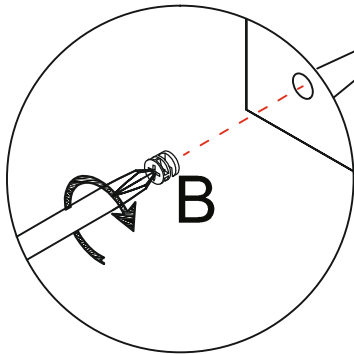
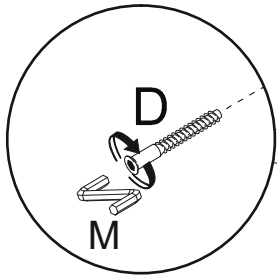
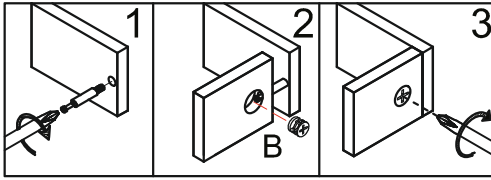
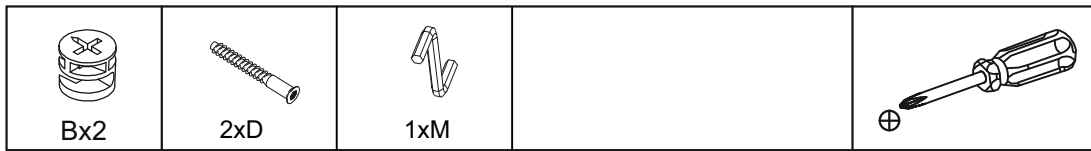
12



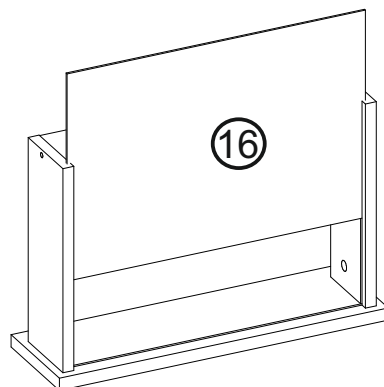
4xP



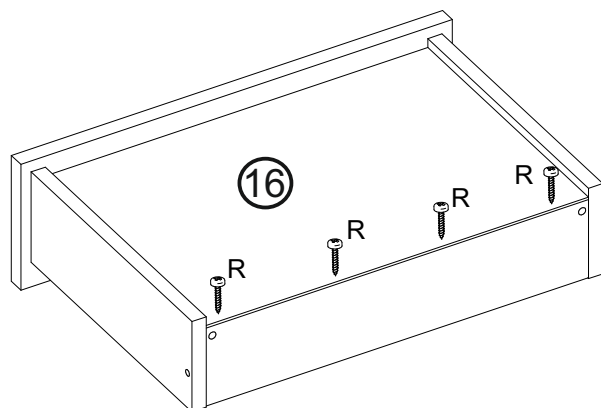
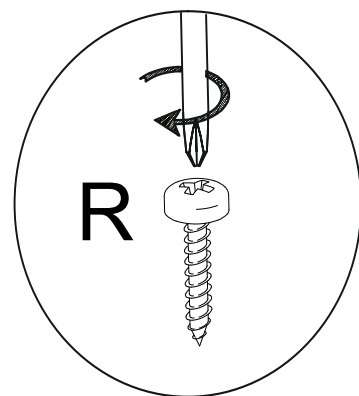
13







16



14



15

 2xW	 8xV	 14xY	 2xZ		
--	--	---	--	--	--

