

Silver **series**
o w n e r s m a n u a l

Contents

Contents	1
Introduction	2
Silver 1	3
Silver 2	3
Silver 6	3
Silver 8	3
Silver 10	3
Silver Centre	3
Silver FX	3
Setting Up	4
AV Positioning	4
Optimum AV Speaker Positioning	4
Silver FX Switch Configuration	5
2 Channel Positioning	7
Setting up the Silver FX	7
Fixing the Silver FX to a wall	8
Plinth Fixing	8
Grilles	8
Spiked Foot	9
For Carpeted Floors	9
For Wooden/ Hard Floors	9
Connecting Speaker Cables	10
Bare Wire Connection	10
Single Wire	10
Banana Plugs	10
Bi-Wire/ Bi-Amp	10
Port bungs	11
Running In	11
Specifications	12

Introduction

With the extraordinary success of RX as its blueprint, the latest Silver Series advances the art of mid-market speaker development with new models and technologies. Features introduced by the prestigious Platinum and Gold series speakers have been refined, and recent innovations in driver engineering incorporated across an extended new Silver series. While the Silver 1, 2, 6, centre and FX retain the form factor of their predecessors, the Silver 8 becomes a full three way design, and new to the Silver family, the Silver 10 offers an up-scaled floor-standing format, featuring twin 8" bass drivers for a deeper more dynamic and consistent response in larger rooms.

New bass and mid-range drivers

Unlike conventional cones, which incorporate a centre aperture for the voice-coil, the dimpled RST® (Rigid Surface Technology) C-CAM® cones deployed by the Silver Series take the form of a continuous uninterrupted radiating dish having inherently greater strength and area. The voice coil sits beneath and is coupled to a larger motor by an innovative, more efficient drive assembly.

In addition, the Silver 8 and 10 models feature a newly developed 4" mid-range driver, operating in its own damped and optimised enclosure to provide accurate mid frequencies. It features a short voice coil 'under-hung' in relation to the magnetic gap to ensure that the coil remains inside the gap at all times for significantly reduced modulation and extremely low distortion.

New tweeter

Distortion from air compression at the back of a tweeter dome has been eliminated by Silver's new 25mm C-CAM tweeter design, which vents into a large rear-loading chamber, producing much lower resonance and better overall damping. The frequency response from the new tweeter is more accurate at lower frequencies for a smoother more natural handover with the mid/bass driver. Meanwhile high frequency extension has been improved and break-up reduced by improvements in cone geometry and drive mechanism.

Other design features

The new Silver Series retains the single bolt-through driver fixings deployed by RX to reduce cabinet colouration. Each bolt acts as a rigid brace, but also removes the need for conventional driver fixings as well, effectively decoupling the driver and front baffle to eliminate a further source of resonance.



NOTE: Should this bolt become loose over time, or has worked loose during transit, then please use the supplied hex key to tighten the bolt back up. This only needs to be a quarter turn on after the strain has been taken by the bolt.

Evolving from Platinum, Monitor Audio's HiVe port technology is incorporated on all but Centre, FX and W12 subwoofer models. HiVe uses a straight rifled design to accelerate air flow and reduce turbulence for clean powerful bass and superior transient response. Polypropylene film capacitors, air core and laminated steel core inductors have been utilised in the crossovers to maintain the best possible signal integrity. All models in the new Silver Series offer higher sensitivity, reduced distortion and higher impedance than their predecessors, ensuring a wider choice of partnering equipment.

Silver 1

The compact new Silver 1 features a single 6" C-CAM® bass/mid-range driver featuring dimpled RST cone technology in a classic two-way monitor configuration. High output and dynamic delivery make the Silver 1 an ideal choice for small to medium rooms in two-channel stereo or multi-channel cinema systems.

Silver 2

The Silver 2 features a powerful 8" C-CAM, RST bass/mid driver in a compact two-way stand mount design. Higher overall efficiency and driver size delivers excellent dynamic headroom with the extended bass normally associated with floor-standing models. Exceptional resolution combined with high output and remarkable dynamic delivery mean that the Silver 2 is suitable for medium to large rooms in two-channel stereo or multi-channel cinema systems.

Silver 6

The Silver 6 incorporates a 6" C-CAM, RST bass driver and 6" C-CAM RST bass/mid driver in a 2.5 way system configuration. The drivers are housed in separate acoustic chambers within the enclosure design to provide differential tuning for higher efficiency and enhanced low frequency extension. Excellent dynamics combined with a naturally rhythmic sonic character and tight, controlled bass make the Silver 6 an outstanding communicator of music and film audio.

Silver 8

The Silver 8 has a new three-way design featuring Silver's 4" C-CAM, RST mid-range driver flanked by long-throw C-CAM, RST 6" bass drivers. Introduced for Silver, this specialised configuration is optimised for greater accuracy over a critical frequency band to deliver superb mid-range focus and precision as well as extended bass. A taller, shallower cabinet and improved damping allows for greater room position flexibility, while higher sensitivity and impedance make the Silver 8 easier to drive for room-filling dynamics, even in larger spaces.

Silver 10

Silver 10 is a completely new model introduction, comprising a three-way configuration in a large floor-standing tower system. For Silver 10 the 4" C-CAM, RST mid-range driver is flanked by 8" C-CAM, RST long-throw bass drivers. The acoustic design is similar to the Silver 8 but the enhanced driver size means that the 10 is equipped to energise the largest of rooms with naturally explicit wideband audio from music and film sources.

Silver Centre

The compact Silver Centre features twin 6" C-CAM, RST bass/mid-range drivers in a familiar Mid - Tweeter - Mid array. The Silver Centre has been tuned to match the tonal character of its Silver range mates for a seamless front sound stage in multi-channel applications.

Silver FX

The discreetly profiled angled baffle design of the new Silver FX surround speaker incorporates a single front-mounted 6" C-CAM, RST bass/mid driver and twin side-mounted C-CAM tweeters. It can be flush-mounted on side or rear walls and its dispersion characteristics changed at the flick of a switch for di-pole or bi-pole operation.

Setting Up AV Positioning

The illustrations on the following pages show optimal positioning and some suggested room layouts for AV applications. For advice on configuring a 2 channel system, refer to page 7.

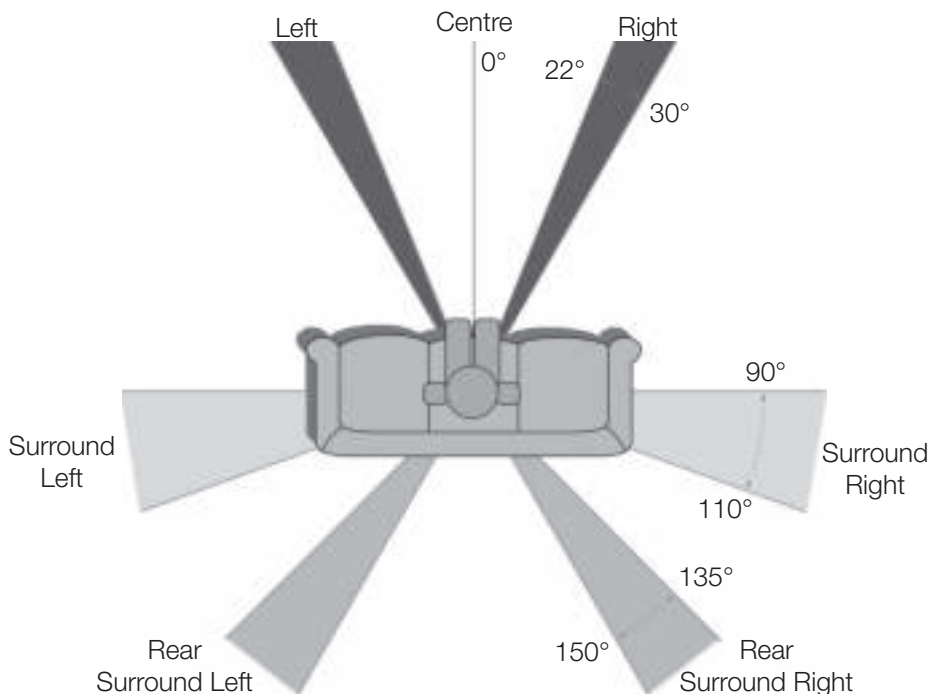
The front, and in some cases rear, floor standing and stand mount speakers should be positioned approx 6 - 9 feet apart (1.8m - 2.5m) and start with them about 10 inches (25cm) from the wall.

If, when playing music, the sound is too bass heavy or there is bass boom from the room, then move them slightly further away from the rear/ side walls. If this is not possible, then try the supplied port bungs (not included in the Silver FX or Centre). Refer to Page 11.

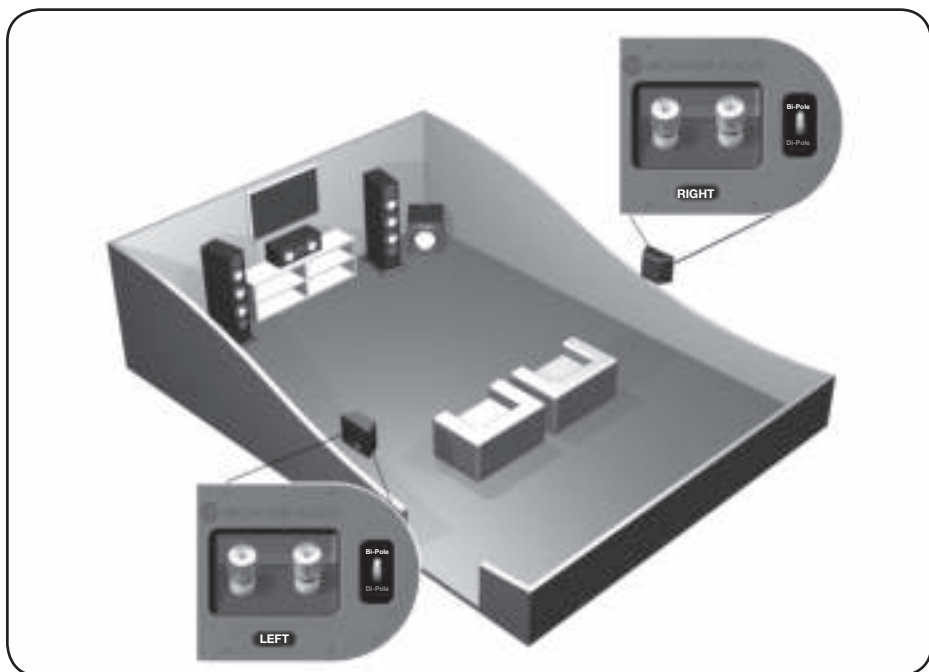
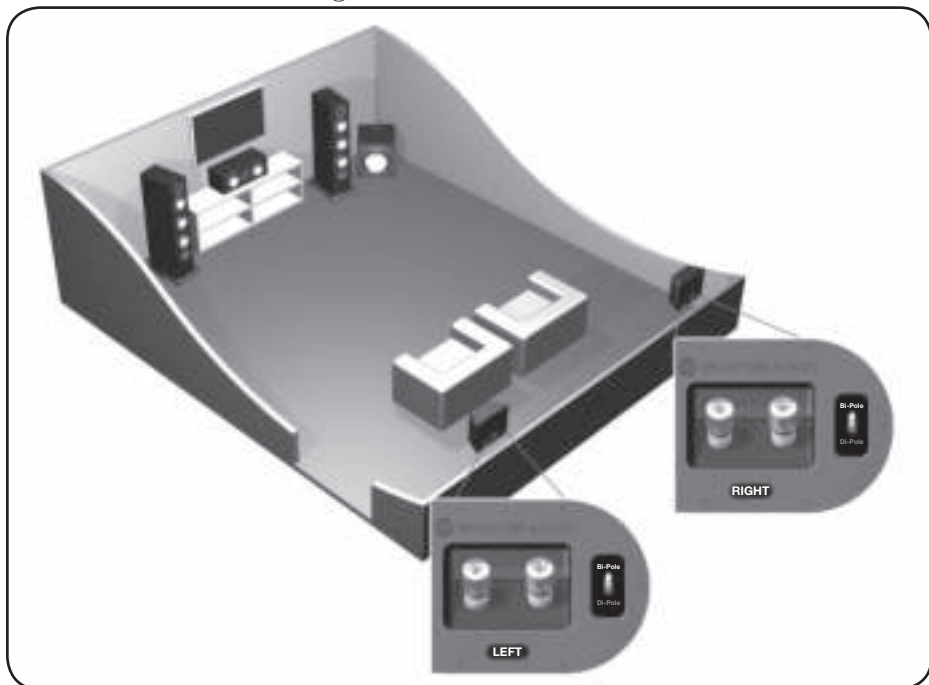
The Centre should be positioned so that it is pointing at you in your viewing position, and at approximate ear height. If it is below or above ear height, use some rubber feet (small feet supplied) to angle it slightly.

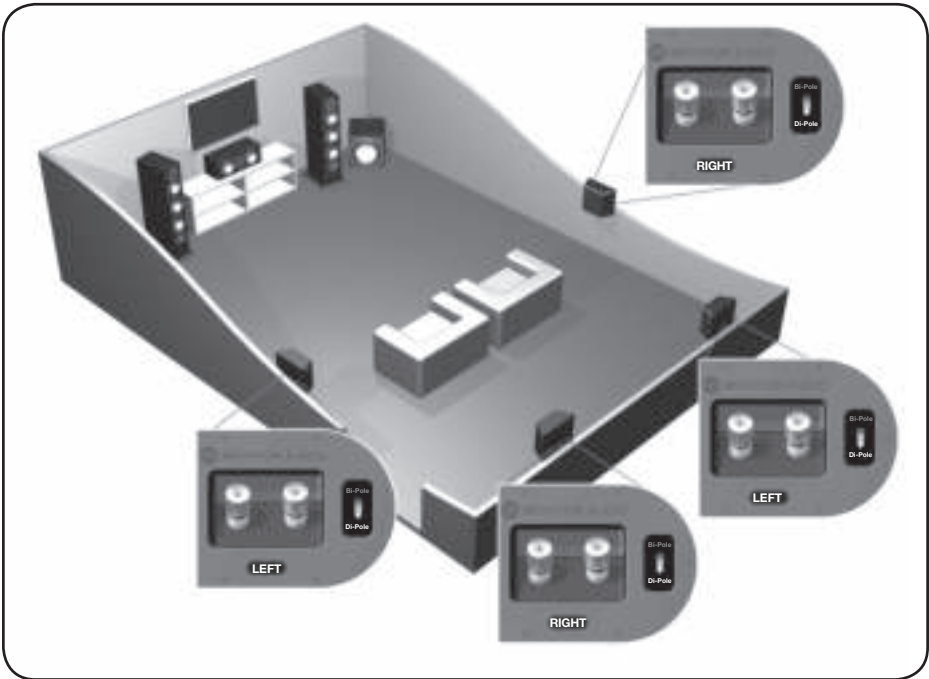
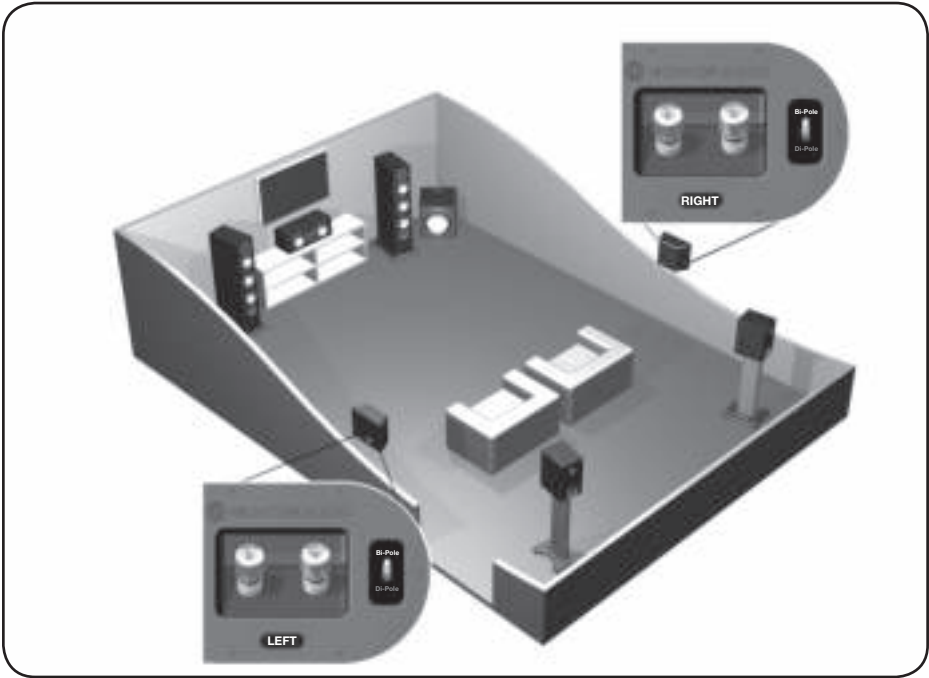
The FX's should be positioned in accordance with the below illustrations and approx 2 feet (60cm) above ear height when in your listening position. Refer to page 7 for further information.

Optimum AV Speaker Positioning



Silver FX Switch Configuration





2 Channel Positioning

For use in a 2 channel system, the listening position and the loudspeakers should form an equilateral triangle. The speakers should be positioned approximately 6 - 10 feet (1.8 - 3m) apart. They ideally need to be between 8 - 18 inches (20 - 45cm) away from the rear and 3 feet (1m) from the side walls.

Experimentation is strongly advised when initially setting up your speakers, as environments and personal preference differ with each installation. If there is not enough bass, for example, then try moving your speakers closer to a wall. The opposite, if there is too much bass. Also see the information on page 11 referring to Port Bungs. If you are losing stereo imaging, try 'toeing' them in slightly. The sound should appear to originate from the centre point between the speakers, not the actual speakers themselves.

Setting up the Silver FX



NOTE: When using 2 pairs of Silver FX's in a 7.1 system, you need to use the Right speaker for the rear surround left and the Left speaker for the rear surround right. This is because of the tweeter phasing.

The Silver FX's are paired, but specifically, right hand and left hand units. Of which both can be configured to bi-pole (normal operation) or di-pole modes. The factory setting is bi-pole.

In bi-pole mode, all speaker units (mid/bass unit and tweeters) are in phase. This feature is designed for when the FX is set up as a rear/surround speaker in a typical 5.1 channel system, or alternatively in a 7.1 channel system without a second pair of FX's for rear/ surround duties.

In di-pole mode, the rear firing tweeters are out of phase with the other tweeter and mid/bass unit. It is best to implement this configuration when using the two pairs FX's as part of a 7.1 channel system, with the FX's taking up positions on the side and rear walls. Please note that the FX's are left and right handed. This is not an issue when used in bi-pole mode. It is essential that they are positioned correctly if used in a 7.1 channel system. Please refer to the positioning section on page 4.



NOTE: Before changing your FX's from bi-pole mode to di-pole mode, please ensure that the speaker wires are disconnected from your loudspeakers. This helps to protect your amplifier.

Fixing the Silver FX to a wall



CAUTION: You will need to determine where the Silver FX's will be fixed and the structure of the wall. For safety reasons, if you are unsure of your ability to provide a secure and safe fixing, do not attempt to fix these speakers to your wall, please obtain the services of a competent and qualified trades person.



CAUTION: Ensure that there are no water pipes or electricity cables running behind where the wall brackets are going to be secured. Work from secure steps and avoid trailing wires.

We do not supply wall fixing screws and plugs with the FX's. Please use suitable fixings for the type of wall construction the FX's will be fixed to.

To fix your FX's to the wall, we would recommend using the wall fixing template enclosed within the packaging carton

Plinth Fixing

Floor standing models only

The Silver 6, 8 & 10's are supplied with plinths to improve stability and acoustic response. The plinths are secured in place by using the supplied M10 bolts. They are not essential should space be at a premium. If you choose not to use the plinths, fit the spiked feet direct to the cabinet.

Before you fit the plinth ensure the floor area is clear of any hard/sharp objects. To fit the plinth turn the cabinet over so that the bottom is facing upwards. Place the plinth onto the cabinet ensuring it is orientated correctly, lining up the bolt holes in the plinth with the inserts in the cabinet. Using the bolts, secure the plinth to the cabinet. Tighten them up gradually at first and ensure the plinth is fitted securely to the cabinet. Fit the feet to the plinth before turning the loudspeaker back over. (Please read the instructions opposite). The spikes are used to improve sound quality and bass performance

Grilles

All of the Silver Series speakers come with grilles covered in acoustically transparent cloth. The grilles are held invisibly in place by magnets in both the grille and the cabinet (except the FX).

To fit them, firstly ensure they are the correct way up (badge at the bottom) and offer them up to the cabinet. The magnets should then pull it into position.

The FX comes with the grilles factory fitted. If you wish to remove them, carefully prize them away from the cabinet with the tips of your fingers. There are three separate grilles fitted to each cabinet.



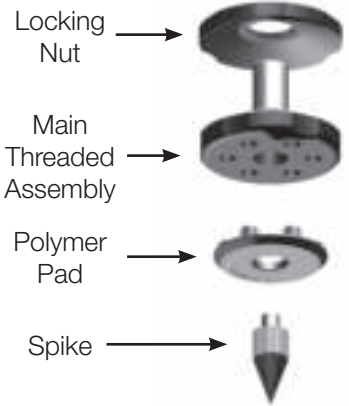
CAUTION: Always remove grilles before lifting or moving the speakers.

Spiked Foot

For Carpeted Floors

Floor standing models only

The Silver Series spiked foot incorporates a spike for use on carpeted floors and also, a soft polymer pad for use on wooden or tiled floors.



Please ensure there are no hidden wires under the carpet that could be damaged by the spikes.

The foot comes fully assembled for use on carpeted floors. All that is required is fixing into the plinth (or cabinet if you chose not to use the plinth). This is achieved by screwing the feet fully into the 4-threaded inserts in the underside of the plinth/cabinet. If your carpet has a very thick pile, remove the soft polymer pad from the foot to ensure the spike goes right through the carpet into the floor. With great care turn your cabinet the right way up. Place the cabinet in your desired location, and

check that it is level on all sides. If it is slightly off level, unscrew the spike at the lowest point and check again. Continue this process until the cabinet is fully level. Use the locking nut on the foot to fix it in place and to stop any unwanted vibrations.

For Wooden/ Hard Floors

Floor standing models only

For use on solid floors or where spikes are inappropriate, it is possible to use the foot without the spike. To use the foot in this manner carefully grip the knurled portion of the spike and rotate anti clockwise and unscrew the spike fully.

You may find it easier to first remove the polymer pad so as to gain more purchase on the spike. The pad should be replaced before carrying out the levelling operation described above.



Connecting Speaker Cables

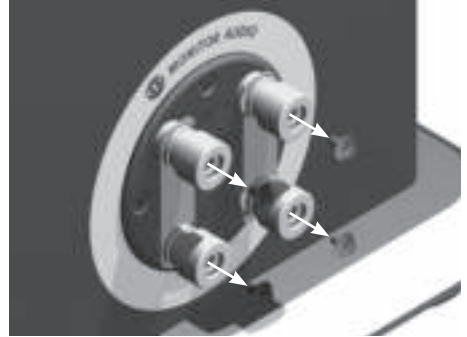
Bare Wire Connection

Unscrew the binding posts and pass the bare wire through the through-hole and tighten the binding post to clamp the wire in place.



Banana Plugs

Remove the red and black plastic plugs from the terminals and insert the banana plugs into the holes that are revealed. A knife blade of flat blade screwdriver may be required to gain purchase on the plugs.



Single Wire

Connect the banana plugs/ bare wire to the terminals. Connect to either the top, bottom or diagonally (experimentation is advisable to achieve the preferred results).



Leave the terminal links in place.



Bi-Wire/ Bi-Amp

Connect the banana plugs/ bare wire to the top and bottom terminals (positive to positive and negative to negative).



The terminal links **MUST** be removed.



Port bungs



WARNING: Care must be taken not to insert the port bungs too far into the port, as this may result in the foam bung being lost inside the cabinet.

If the loudspeaker is to be installed in a small room, typically 9 sqM (80 sqFT), or a room known to reproduce accentuated bass response, it may be desirable to fit port bungs. However, experimentation is recommended with positioning of the loudspeaker in the room prior to fitting. To optimise a loudspeakers performance, ensure it is not positioned too close to a wall or near the corners of a room (refer to the suggestions on pages 4 and 7).

If room aesthetics or layout predetermine speaker positioning, or experiencing the presence of accentuated bass, please move on and read point 1 for the Silver 1 and 2 and point 2 for the Silver 6, 8 and 10.

1. Where bookshelf/ stand-mount speakers (Silver 1 & 2) are to be sited in close proximity of less than 8 inches/ 20cm to a rear wall (such as on a bookshelf, positioned in a cabinet or on a stand close to a wall), we recommend fitting port bungs to the ports. This will reduce the bass 'boom' and assist the loudspeakers to reproduce their best performance under these environmental conditions.
2. Where floor-standing loudspeakers (Silver 6, 8 & 10) are to be sited in close proximity of less than 18 inches/ 45cm to a rear wall, we recommend fitting the port bungs. This will reduce the bass 'boom' and assist the loudspeakers to reproduce their best performance under these environmental conditions.

What is Bass Boom?

Bass 'Boom' (sometimes termed as overhang) is generally caused when bass energy from the loudspeaker 'excites' room modes and causes an accentuation at a particular frequency, or number of frequencies

When fitting port bungs the overall bass extension will not be reduced, however bass energy/ output around the port tuning frequency will be reduced. This has the effect of reducing bass 'boom' while increasing bass clarity and apparent agility.

Experimentation is highly recommended.

Running In

The speakers will require a level of "running in" before they have reached the optimum. The running in process for the Silver Series will be approximately 60 - 70 hours of playback. During the running in process, it is recommended not to push the loudspeakers to high levels as this can cause damage to them. During this time, you will notice the sound open up and become clearer, tighter and a lot more controlled.

Model	Silver 1	Silver 2	Silver 6	Silver 8	Silver 10	Silver Centre	Silver FX
System Format	2 - way	2 - way	2 1/2 way	3 - way	3 - way	2 way (M - T - M)	2 - way
Frequency Response	45Hz - 35kHz	40Hz - 35kHz	35Hz - 35kHz	32Hz - 35kHz	30Hz - 35kHz	45Hz - 35kHz	60Hz - 35kHz
Sensitivity (1W@1M)	87dB	88dB	90dB	90dB	90dB	90dB	87dB
Nominal Impedance	8Ohms	8Ohms	8Ohms	4Ohms	4Ohms	8Ohms	8Ohms
Maximum S.P.L	110.8dBA (pair)	112.6dBA (pair)	115.5dBA (pair)	116.8dBA (Pair)	117.8dBA (Pair)	112.5dBA	110.1dBA (pair)
Power Handling (RMS) Watts	100W	120W	150W	200W	250W	150W	85W
Recommended amplifier requirements (RMS)	40 - 100W	40 - 120W	60 - 150W	80 - 200W	80 - 200W	60-150W	40-85W
Bass Alignment	Bass Reflex, Hive® port system	Bass Reflex, Hive port system	Dual Chamber Bass Reflex with Differential Tuning, Twin Hive port system	Bass Reflex, Twin Hive port system	Bass Reflex, Twin Hive port system	Sealed Cabinet	Sealed cabinet
Crossover Frequency	3.0 KHz	2.0KHz	L.F: 700Hz M.F/H.F: 2.7KHz	L.F/M.F: 500Hz M.F/H.F: 2.7KHz	L.F/M.F: 550Hz M.F/H.F: 2.7KHz	2.6KHz	2.2KHz
Drive unit Complement	1 x 6" RST® bass/mid driver 1 x 1" (25 mm) gold dome C-CAM® tweeter	1 x 8" RST bass/mid driver 1 x 1" (25 mm) gold dome C-CAM tweeter	1 x 6" RST bass driver 1 x 6" RST bass/mid driver 1 x 1" (25 mm) gold dome C-CAM tweeter	2 x 6" RST bass driver 1 x 4" RST mid-range driver 1 x 1" (25 mm) gold dome C-CAM tweeter	2 x 8" RST bass driver 1 x 4" RST mid-range driver 1 x 1" (25 mm) gold dome C-CAM tweeter	2 x 6" RST bass/mid driver 1 x 1" (25 mm) gold dome C-CAM tweeter	1 x 6" RST bass/mid driver 1 x 1" (25 mm) gold dome C-CAM tweeter
Cabinet dimensions (Excluding grille, terminals & plinth) (H x W x D)	312 x 185 x 240mm 12 5/16 x 7 5/16 x 9 7/16 Inch	375 x 230 x 300mm 14 3/4 x 9 1/8 x 11 13/16 Inch	885 x 185 x 240mm 34 13/16 x 7 5/16 x 9 7/16 Inch	1000 x 185 x 300mm 39 3/8 x 7 5/16 x 11 13/16 Inch	1050 x 230 x 300mm 41 5/16 x 9 1/16 x 11 13/16 Inch	185 x 500 x 200mm 7 5/16 x 19 11/16 x 7 7/8 Inch	250 x 311 x 130mm 9 13/16 x 12 1/4 x 5 1/8 Inch
External dimensions (Including terminals) (H x W x D)	312 x 185 x 263mm 12 5/16 x 7 5/16 x 10 3/8 Inch	375 x 230 x 323mm 14 3/4 x 9 1/8 x 12 11/16 Inch	885 x 185 x 263mm 34 13/16 x 7 5/16 x 10 3/8 Inch	1000 x 185 x 323mm 39 3/8 x 7 5/16 x 12 11/16 Inch	1050 x 230 x 323mm 41 5/16 x 9 1/16 x 12 11/16 Inch	185 x 500 x 223mm 7 5/16 x 19 11/16 x 8 5/8 Inch	250 x 311 x 130mm 9 13/16 x 12 1/4 x 5 1/8 Inch
External dimensions (Including grille & terminals) (H x W x D)	312 x 185 x 275mm 12 5/16 x 7 5/16 x 10 3/8 Inch	375 x 230 x 339mm 14 3/4 x 9 1/8 x 13 3/16 Inch	885 x 185 x 275mm 34 13/16 x 7 5/16 x 10 3/8 Inch	1000 x 185 x 339mm 39 3/8 x 7 5/16 x 13 3/16 Inch	1050 x 230 x 339mm 41 5/16 x 9 1/16 x 13 3/16 Inch	185 x 500 x 235mm 7 5/16 x 19 11/16 x 9 1/4 Inch	250 x 311 x 143mm 9 13/16 x 12 1/4 x 5 5/8 Inch
External dimensions (Including plinth & feet) (H x W x D)	N/A	N/A	986 x 245 x 300mm 38 7/8 x 9 5/8 x 11 13/16 Inch	1021 x 245 x 360mm 40 3/16 x 9 5/8 x 14 3/16 Inch	1071 x 290 x 360mm 42 3/16 x 11 7/8 x 14 3/16 Inch	N/A	N/A
Weight (each)	6.95kg (15lb 4oz)	9.7kg (21lb 6oz)	16.5kg (40lb 8oz)	23.53kg (51lb 6oz)	26.03kg (57lb 4oz)	9.6kg (21lb 2oz)	5.1kg (11lb 4oz)



Monitor Audio Ltd.
24 Brook Road
Rayleigh, Essex
SS6 7XJ
England
Tel: +44 (0)1268 740580
Fax: +44 (0)1268 740589
Email: info@monitoraudio.co.uk

monitoraudio.com

Designed and Engineered in the
United Kingdom, made in China

© 2013. Version 1

Silver **series**

manuel utilisateur

Table des matières

Table des matières	15
Introduction	16
Silver 1	17
Silver 2	17
Silver 6	17
Silver 8	17
Silver 10	17
Silver Centre	17
Silver FX	17
Installation	18
Positionnement de l'AV	18
Positionnement optimal des enceintes AV	18
Configuration du commutateur Silver FX	19
Positionnement à 2 canaux	21
Installation du Silver FX	21
Installation de l'enceinte FX à un mur	22
Fixation du socle	22
Grilles	22
Pointe	23
Pour sols moquette	23
Pour sols durs et parquets	23
Connexion des câbles des haut-parleurs	24
Connexion du fil nu	24
Câble unique	24
Fiches banane	24
Bicâblage/biamplication	24
Bouchons de port	25
Rodage	25
Spécifications	26

Introduction

L'extraordinaire succès rencontré par la série Silver avec les modèles RX nous permet d'avancer dans l'art du développement d'enceintes destinées au marché intermédiaire et de lancer de nouveaux modèles équipés des dernières technologies. Les caractéristiques des enceintes des prestigieuses séries Platinum et Gold ont été perfectionnées et les récentes innovations en matière de haut-parleur ont été intégrées sur l'intégralité de la nouvelle série Silver. Les enceintes Silver 1, 2, 6, Centre et FX conservent la forme de leurs prédécesseurs tandis que la Silver 8 opte pour un aspect à trois voies. Dernière arrivée dans la famille Silver, la Silver 10 offre une fixation au sol de qualité supérieure et comprend deux haut-parleurs de graves 8" pour une dynamique profonde et élevée allée à une réponse constante dans les grandes pièces.

Nouveaux haut-parleurs medium-grave

Contrairement aux cônes conventionnels qui intègrent une ouverture centrale pour la bobine vocale, les cônes C-CAM® intègrent la technologie RST® (Technologie à surface rigide) et cela sur toute la série Silver. L'aspect du saladier de cette série offre à la fois robustesse et pureté. La bobine vocale, située en bas, est associée à un moteur plus imposant grâce à un mécanisme d'assemblage innovant et efficace.

De plus, les modèles Silver 8 et 10 intègrent un nouveau haut-parleur de 4" entièrement nouveau opérant sans son propre cabinet optimisé pour un amortissement idéal et une meilleure clarté dans le medium. Ce haut-parleur est équipé d'une petite bobine vocale fixée par le bas et liée à un entrefer magnétique. La bobine reste ainsi dans cet entrefer en permanence pour offrir une modulation réduite et une distorsion extrêmement faible.

Nouveau tweeter

La distorsion liée à la compression de l'air à l'arrière du dôme de tweeter a été supprimée grâce à la conception entièrement repensée du tweeter C-CAM 25 mm de la série Silver. La distorsion est ainsi ventilée dans une chambre arrière de grande taille pour offrir une résonance considérablement réduite et un meilleur amortissement. La réponse en fréquence du nouveau tweeter est plus précise à des basses fréquences pour une transition plus harmonieuse et naturelle avec le haut-parleur medium/grave. Le prolongement des hautes fréquences a été amélioré et les bris de son réduits grâce aux améliorations apportées à la géométrie du cône et au mécanisme du haut-parleur.

Autres caractéristiques de conception

La nouvelle série Silver conserve la fixation de haut-parleur à une seule vis traversante « single bolt-through » intégrée au RX afin de réduire la coloration au cabinet. Chaque vis agit comme un bras rigide et permet également de se passer des fixations de haut-parleurs traditionnelles. Ainsi, le découplage du haut-parleur et de l'enceinte frontale est plus efficace et toute source éventuelle de résonance est éliminée.



REMARQUE : Si cette vis se desserre au fil du temps ou si elle a été desserrée pendant le transport, veuillez utiliser la clé hexagonale fournie pour resserrer la vis. Un quart de tout suffit une fois que la vis n'a plus de contrainte.

Suivant l'évolution de la série Platinum, la technologie de port HiVe de Monitor Audio est désormais intégrée à toute la série Silver, à l'exception des modèles Centre, FX et du caisson de graves W12. La technologie HiVe utilise un design rectiligne strié pour accélérer le débit d'air et réduire les turbulences résultant en des basses rapides et puissantes couplées avec une réponse transitoire inégalée. Des composants de haute qualité tels que les condensateurs à film polypropylène et selfs à noyau en acier laminé ont été utilisés dans le crossover pour conserver une intégrité de signal optimale. Tous les modèles de la nouvelle série Silver offrent une sensibilité supérieure, une distorsion réduite au maximum et une impédance plus élevée que leurs prédécesseurs, assurant ainsi un choix d'équipement plus large.

Silver 1

La nouvelle enceinte compacte Silver 1 comprend un haut-parleur de medium-grave à cône C-CAM® 6" avec technologie RST intégrée dans une configuration classique à deux voies. La Silver 1 délivre une puissance impressionnante et un rendu clair idéal pour les pièces de petite à moyenne taille équipées de systèmes stéréo à deux canaux ou d'un home cinéma à canaux multiples.

Silver 2

La Silver 2 comprend un puissant haut-parleur medium-grave C-CAM 8" à technologie RST dans une structure compacte sur pied à deux voies. Dotée d'un haut-parleur plus grand et d'une efficacité supérieure, la Silver 2 délivre des basses dynamiques et étendues. Laissez-vous tenter par cette enceinte et associez-la à des modèles au sol pour un rendu encore plus efficace. Une résolution exceptionnelle allée à une bande passante élevée et une dynamique remarquable font que la Silver 2 est la solution idéale pour les pièces de taille moyenne à grande équipées de systèmes stéréo à deux canaux ou d'un home cinéma à canaux multiples.

Silver 6

La Silver 6 comprend un haut-parleur de graves C-CAM 6" et un haut-parleur medium-grave C-CAM 6" équipés de la technologie RST dans une configuration à deux voies et demi très équilibrée. Les haut-parleurs sont logés dans des chambres acoustiques séparées au sein du cabinet afin d'offrir un réglage différentiel pour une efficacité accrue et des basses fréquences optimales. Une dynamique excellente combinée à un caractère acoustique naturel et à des basses claires et précises font que la Silver 6 offre une reproduction sonore exceptionnelle aussi bien pour ma musique que pour les films.

Silver 8

La nouvelle structure de l'enceinte Silver 8 trois voies intègre un haut-parleur medium-grave C-CAM 4" accompagné de haut-parleurs de graves longue portée C-CAM 6", tous équipés de la technologie RST. Spécialement conçue pour la série Silver, cette configuration offre une meilleure clarté et une bande de fréquences plus large pour délivrer une précision de medium exceptionnelle et des basses étendues. Ce cabinet à la fois grand et mince doté d'un meilleur amortissement est très facile à positionner. Son impédance élevée et sa sensibilité accrue font que les dynamiques de la Silver 8 occupent parfaitement l'espace, même dans les grandes pièces.

Silver 10

La Silver 10 est la toute nouvelle enceinte de la série Silver. Elle est dotée d'une configuration trois voies dans un grand cabinet élégant. Elle est équipée d'un haut-parleur medium C-CAM 4" accompagné de haut-parleurs de graves longues portée C-CAM 8", tous équipés de la technologie RST. La structure acoustique est semblable à celle de la Silver 8 mais la taille plus importante du haut-parleur de la Silver 10 permet de dynamiser les pièces les plus grandes grâce à sa large bande passante naturelle et offre une reproduction sonore exceptionnelle aussi bien pour la musique que pour les films.

Silver Centre

L'enceinte compacte Silver Centre comprend deux haut-parleurs de medium-grave C-CAM 6" à technologie RST dans une configuration classique : Medium - Tweeter - Medium. La Silver Centre a été conçue pour être appariée acoustiquement avec les autres enceintes de la gamme Silver afin d'obtenir une écoute cohérente de devant à l'arrière de la scène avec les applications à canaux multiples.

Silver FX

La structure discrète et élégamment profilée de la nouvelle enceinte surround Silver FX intègre un haut-parleur frontal C-CAM 6" à technologie RST et deux tweeters C-CAM latéraux. Cette enceinte peut être placée sur le côté ou à l'arrière des murs et ses caractéristiques de dispersion sont très facilement modifiables car les modes di-pole/ bi-pole sont sélectionnables depuis un simple interrupteur.

Installation

Positionnement de l'AV

Les illustrations présentées dans les pages suivantes montrent le positionnement optimal ainsi que certains agencements de pièces pour les applications AV. Pour des conseils sur la configuration d'un système à 2 canaux, veuillez consulter la page 7.

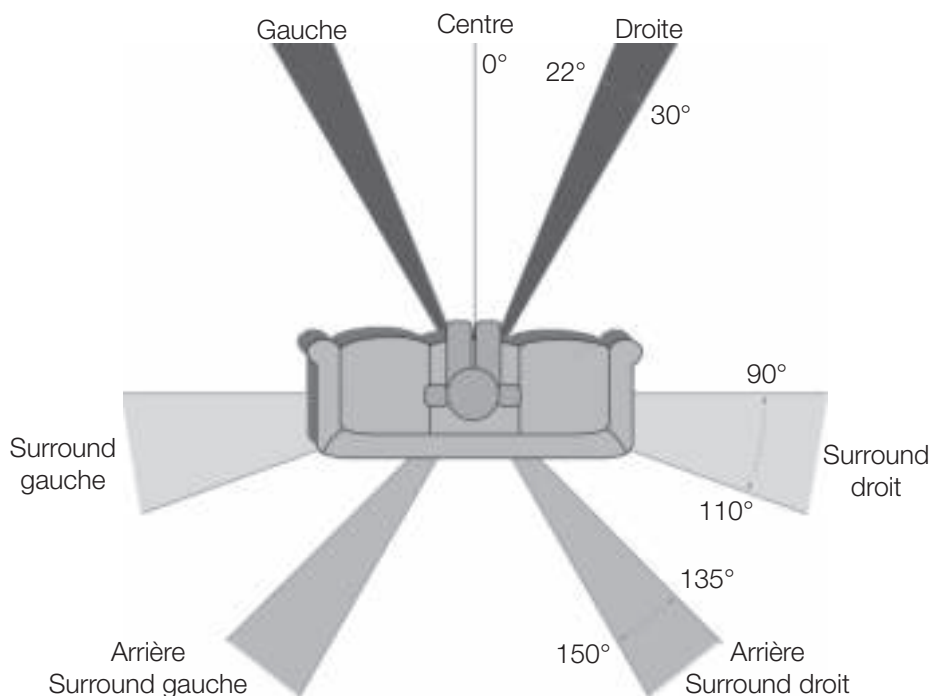
Les enceintes frontales, et dans certains cas l'enceinte arrière, à pied ou au sol doivent être placées à environ 1,8 m - 2,5 m les unes des autres et à environ 25 cm du mur.

Si vous écoutez de la musique et que le son trop lourd et grave ou si le boom des graves est trop perceptible dans la pièce, éloignez légèrement les enceintes des murs. Si cela s'avère impossible, essayez les bouchons de port fournis (non inclus avec le Silver FX ou le Centre). Voir page 11.

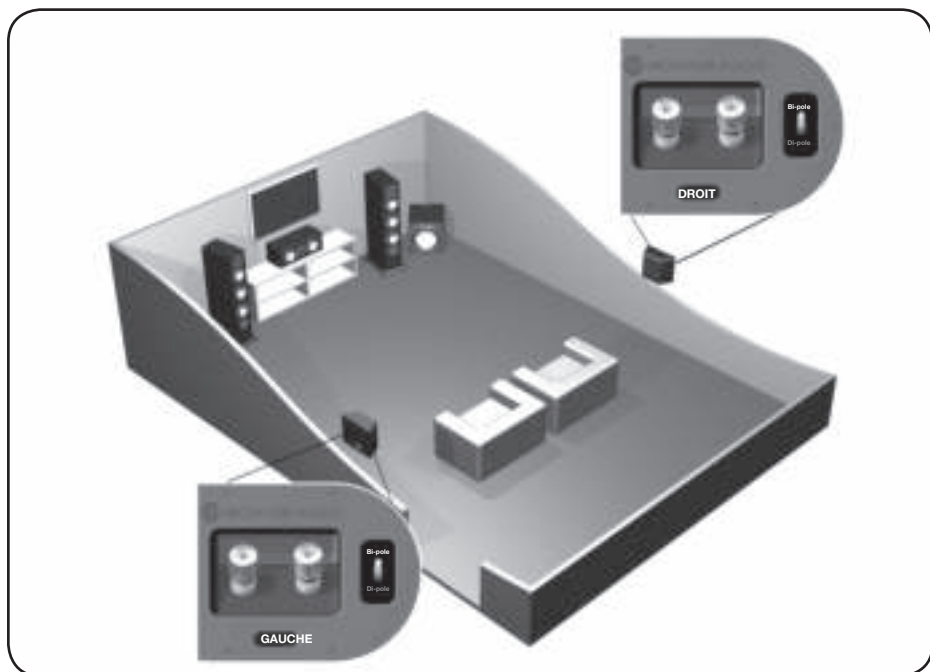
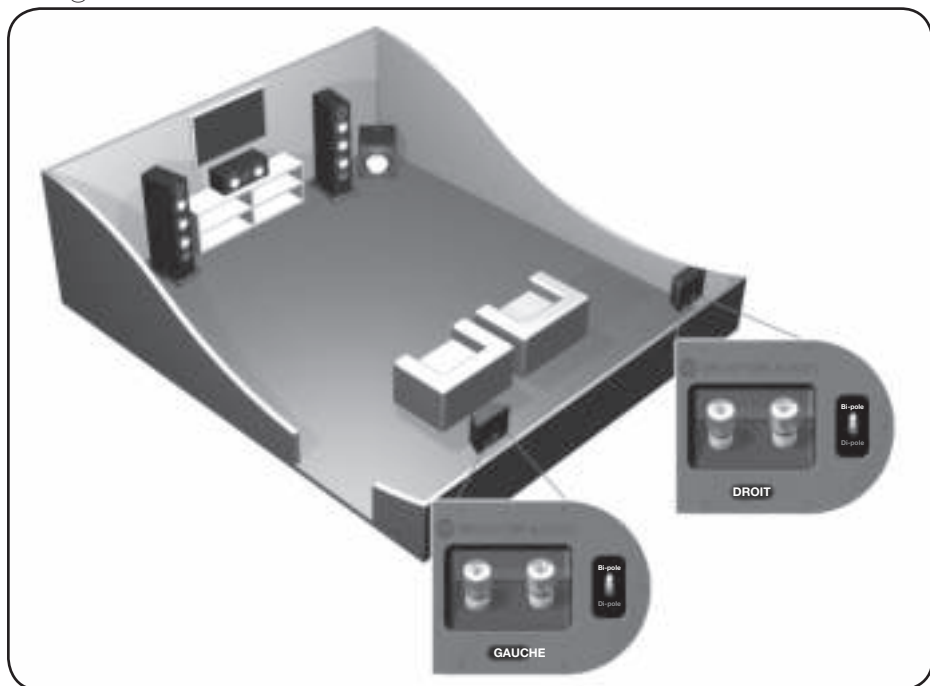
La Silver Centre doit être directement dirigée vers vous lorsque vous la regardez et placez-la à hauteur d'oreille. Si elle est située plus haut ou plus bas que vos oreilles, utilisez des pieds en caoutchouc (des petits sont fournis) afin de modifier légèrement l'angle de l'enceinte.

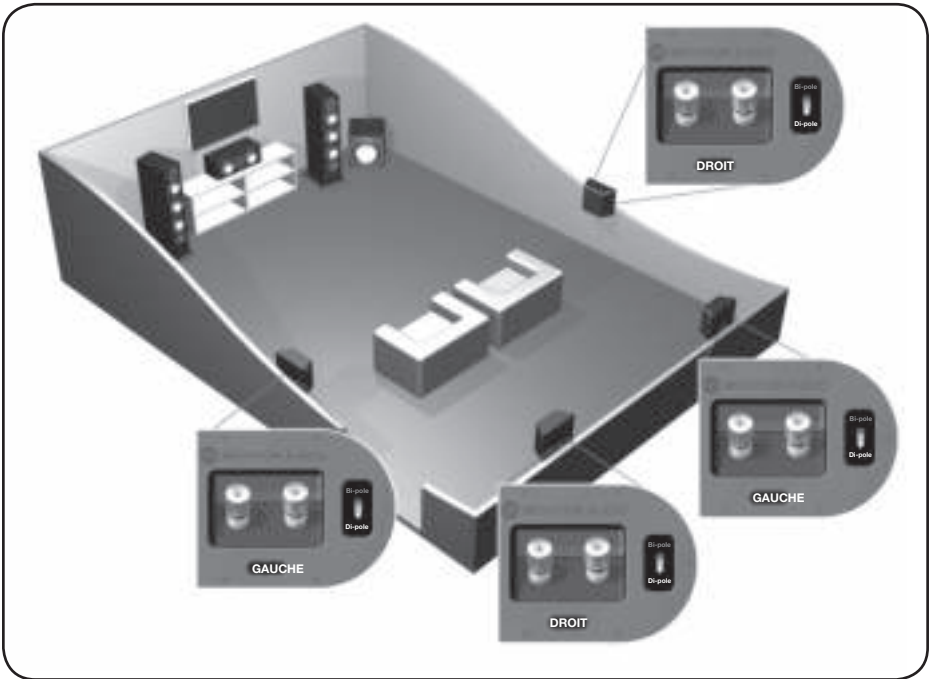
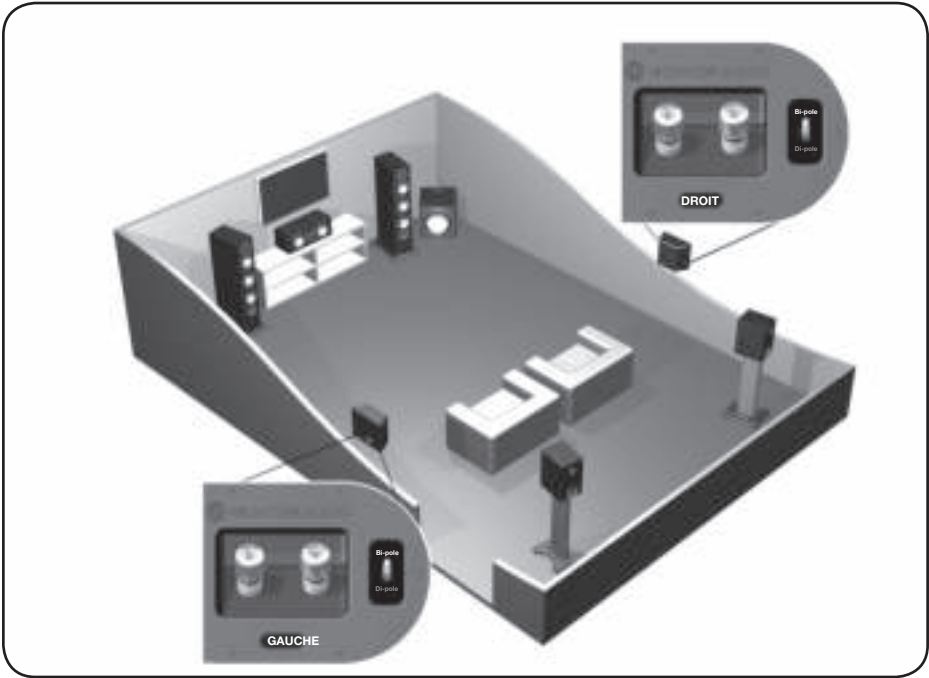
La FX doit être placée conformément aux illustrations ci-dessous et à environ 60 cm au-dessus de vos oreilles en position d'écoute. Pour plus d'informations, consultez la page 7.

Positionnement optimal des enceintes AV



Configuration du commutateur Silver FX





Positionnement à 2 canaux

Pour une utilisation dans un système à deux canaux, la position d'écoute et les haut-parleurs doivent former un triangle équilatéral. Les haut-parleurs doivent être situés à environ 1,8 - 3 m d'écart. Idéalement, ils doivent être placés à 20 - 45 cm de l'enceinte arrière et à 1 m des murs latéraux.

Il est fortement conseillé d'effectuer des essais lorsque vous installez vos haut-parleurs. L'environnement et les préférences personnelles changent en fonction de l'installation. Par exemple, si vous trouvez que les basses ne sont pas assez présentes, rapprochez légèrement les haut-parleurs du mur. Effectuez l'opération inverse si les basses sont trop présentes. Consultez également les informations sur la page 11 concernant les bouchons de port. Si vous perdez l'image stéréo, essayez de les enfoncer très légèrement. Le son doit donner l'impression de partir du point central entre les haut-parleurs et non des haut-parleurs eux-mêmes.

Installation du Silver FX



REMARQUE : Lorsque vous utilisez deux paires de Silver FX dans un système 7.1, vous devez utiliser le haut-parleur droit pour le surround arrière gauche et le haut-parleur gauche pour le surround arrière droit. Cela est dû à la mise en phase des tweeters.

Les Silver viennent par paire mais il faut bien distinguer le haut-parleur droit du gauche. Les deux haut-parleurs peuvent être configurés en mode bi-pôle (mode normal) ou di-pôle. Par défaut, le mode bi-pôle est activé.

EN mode bi-pôle, tous les haut-parleurs (medium/grave et tweeters) sont en phase. Ce paramètre est destiné à une installation du FX en tant que haut-parleur arrière/surround dans un système 5.1 classique ou 7.1 sans la seconde paire d'enceintes FX pour les fonctionnalités arrière/surround.

En mode di-pôle, les tweeters orientés vers l'arrière ne sont pas en phase avec l'autre tweeter et le haut-parleur medium/grave. Il est conseillé d'utiliser cette configuration avec deux paires d'enceintes FX dans un système 7.1 dans lequel les FX sont placées sur le côté et à l'arrière des murs. Veuillez noter que l'on distingue le haut-parleur droit du gauche avec le modèle FX. Cela n'a pas d'importance en mode bi-pôle. Le bon positionnement des haut-parleurs est primordial dans un système 7.1. Veuillez consulter la section sur le positionnement en page 4.



REMARQUE : Avant de basculer votre FX du mode bi-pôle vers le mode di-pôle, assurez-vous que les câbles ne sont pas connectés aux haut-parleurs. Cela permet de protéger l'amplificateur.

Installation de l'enceinte FX à un mur.



ATTENTION : Vous devez déterminer l'emplacement exact de la Silver FX et vérifier la structure du mur. Pour des raisons de sécurité, si vous n'êtes pas certain de votre capacité à fixer correctement et en toute sécurité les enceintes à un mur, n'essayez pas de le faire vous-même. Faites appel aux services d'un professionnel qualifié et compétent.



ATTENTION : Vérifiez qu'aucune canalisation ou câble électrique passe derrière l'endroit où vous installerez les fixations murales. Travaillez étape par étape et évitez de laisser traîner les câbles.

Les vis et chevilles murales ne sont pas fournies avec l'enceinte FX. Veuillez utiliser des fixations adaptées au type de construction du mur où vous fixerez la FX.

Pour fixer votre FX au mur, nous vous conseillons d'utiliser le modèle de fixation murale fournie dans le carton d'emballage.

Fixation du socle

Pour modèles à poser au sol uniquement

Les modèles Silver 6, 8 et 10 sont livrés avec des socles pour une stabilité accrue et réponse acoustique optimale. Utilisez les boulons M10 pour sécuriser les socles au sol. Si l'espace est restreint, il n'est pas primordial d'installer les socles. Si vous choisissez de ne pas utiliser les socles, enfoncez les pointes du pied directement sur le cabinet.

Avant d'installer le socle au sol, vérifiez qu'il n'y a aucun objet dur ou pointu à cet endroit. Pour installer le socle, retournez le cabinet de façon à ce que le bas de l'enceinte soit dirigé vers le haut. Placez le socle sur le cabinet et vérifiez qu'il est orienté correctement. Alignez les trous de boulon du socle avec les inserts du cabinet. Fixez le socle au cabinet avec les boulons. Serrez-les progressivement puis vérifiez que le socle est solidement attaché au cabinet. Enfoncez le pied dans le socle avant de le retourner sur le sol. (Veuillez lire les instructions ci-contre). Les pointes servent à améliorer la qualité du son et les performances des graves.

Grilles

Tous les haut-parleurs de la série Silver sont équipés de grilles recouvertes d'un tissu acoustiquement transparent. Les grilles sont maintenues en place par des aimants situés sur la grille et le cabinet (sauf sur la FX).

Pour les installer, vérifiez d'abord leur orientation (l'insigne en bas) et posez-les sur le cabinet. Les aimants les mettront naturellement en place.

Les grilles de la FX sont préalablement installées. Si vous souhaitez les enlever, retirez-les délicatement du cabinet avec le bout de vos doigts. Trois grilles différentes sont installées sur chaque cabinet.



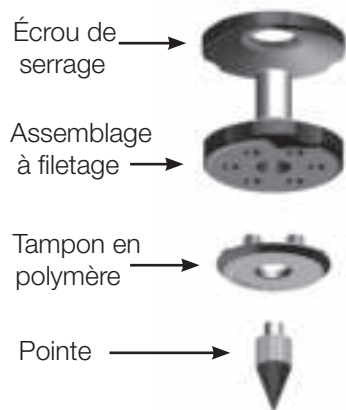
ATTENTION : Retirez toujours les grilles avant de soulever ou déplacer les haut-parleurs.

Pointe

Pour sols moquette

Pour modèles à poser au sol uniquement

Les modèles de la série Silver sont livrés avec un pied adapté aux sols moquette et un tampon en polymère doux adapté pour les parquets et sols carrelés.



Vérifiez qu'aucun câble électrique susceptible d'être endommagé par le pied ne passe sous le tapis ou la moquette.

Le pied est entièrement assemblé et prêt à être utilisé. Il suffit simplement de le fixer au socle (ou au cabinet si vous n'utilisez pas le socle). Pour cela, vissez le pied sur les 4 inserts de filetage situés sur le dessous du socle/cabinet. Si votre tapis/sol moquette est très épais, retirez le tampon en polymère du pied et vérifiez que la pointe traverse entièrement le tapis ou la moquette. Remettez le cabinet en place avec précaution. Placez le cabinet à l'endroit désiré puis vérifiez qu'il est bien équilibré sur tous les côtés. S'il n'est pas correctement à plat,

dévissez légèrement la pointe par le bas puis vérifiez à nouveau. Continuez ce procédé jusqu'à ce que le cabinet soit parfaitement équilibré. Utilisez l'écrou de serrage sur le pied pour le maintenir en place et éviter les vibrations indésirables.

Pour sols durs et parquets

Pour modèles à poser au sol uniquement

Pour les sols durs sur lesquels l'utilisation de pointes n'est pas adaptée, il est possible d'utiliser le pied sans la pointe. Pour cela, saisissez délicatement la molette de la pointe puis tournez-la dans le sens des aiguilles d'une montre pour dévisser entièrement la pointe.

Il peut s'avérer plus facile de retirer le tampon en polymère avant de commencer à dévisser pour avoir une meilleure prise sur la pointe. Remplacez le tampon avant d'effectuer l'opération d'équilibrage décrite ci-dessus.



Connexion des câbles des haut-parleurs

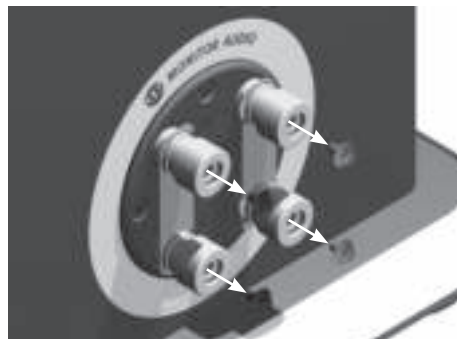
Connexion du fil nu

Dévissez les bornes de connexion puis faites passer le fil nu à travers le trou puis serrez le câble.



Fiches banane

Retirez les fiches plastique rouge et noire des terminaux puis insérez les fiches banane dans les trous qui apparaissent. Une lame de couteau ou un tournevis à lame plate peuvent être requis pour accéder aux fiches.



Câble unique

Connectez les fiches bananes et le fil nu aux terminaux. Connectez par le haut, le bas ou en diagonale (effectuez des essais pour obtenir les meilleurs résultats).



Laissez les liaisons de terminal en place.



Bicâblage/biamplication.

Connectez les fiches banane/ fil nu en haut et en bas des terminaux (positive à positive, négative à négative).



Il est impératif de retirer les liaisons de terminal.





AVERTISSEMENT : Faites attention à ne pas enfoncer trop profondément les bouchons de port dans le port. Cela peut entraîner une partie de la mousse du bouchon directement dans le cabinet.

Si le haut-parleur est destiné à être installé dans une petite pièce (environ 9 m²), ou si la pièce a tendance à reproduire une réponse en basses trop accentuée, il sera alors utile d'utiliser les bouchons de port. Cependant, il est conseillé de faire des essais de positionnement avec les haut-parleurs avant d'installer les bouchons de port. Pour des performances optimales, vérifiez que le haut-parleur n'est pas trop près d'un mur ou près des coins d'une pièce (voir les suggestions en page 4 et 7).

Si l'agencement ou l'esthétique de la pièce détermine le positionnement de vos haut-parleurs ou si vous remarquez que les basses saturent, consultez le point 1 pour les enceintes Silver 1 et 2 et le point 2 pour les enceintes Silver 6, 8 et 10.

1. Nous recommandons d'utiliser les bouchons de port si les haut-parleurs bibliothèque/à pied (Silver 1 et 2) sont placés à moins de 20 cm d'un mur arrière (sur une bibliothèque ou un pied à côté d'un mur par exemple). Cela aura pour effet de réduire le « boom » des basses et permettra une reproduction sonore optimale dans cet environnement.
2. Nous recommandons d'utiliser les bouchons de port si les haut-parleurs au sol (Silver 6, 8 et 10) sont placés à moins de 45 cm d'un mur arrière. Cela aura pour effet de réduire le « boom » des basses et permettra une reproduction sonore optimale dans cet environnement.

Qu'est-ce que le « boom » des basses ?

Le « boom » (parfois appelé overhang) se produit généralement lorsque l'énergie des basses « excite » les parois de la pièce et génère une accentuation à une fréquence donnée ou un nombre de fréquences.

Lorsque vous installez les bouchons de port, l'extension générale des basses ne sera pas réduite, en revanche l'énergie/puissance des basses sera réduit autour de la fréquence de réglage du port. Ainsi, l'effet de « boom » des basses sera réduit tout en reproduisant un son clair et léger.

Il est conseillé de faire plusieurs essais.

Rodage

Les enceintes doivent être « rodées » avant d'atteindre leur efficacité optimale. Le processus de rodage de la série Silver dure environ de 60 à 70 heures d'utilisation. Pendant le rodage, nous vous conseillons de ne pas forcer les enceintes au maximum pour ne pas les endommager. Pendant ce temps, vous remarquerez que le son devient de plus en plus clair et précis.

MODÈLE	Silver 1	Silver 2	Silver 6	Silver 8	Silver 10	Silver Centre	Silver FX
Format du système	2 voies	2 voies	2 voies et demi	3 voies	3 voies	2 voies (M - T - M)	2 voies
Réponse en fréquence	45 Hz - 36 KHz	40 Hz - 35 KHz	36 Hz - 35 KHz	32 Hz - 35 KHz	30 Hz - 35 KHz	45 Hz - 35 KHz	60 Hz - 35 KHz
Sensibilité (1W@1M)	87 dB	88 dB	90 dB	90 dB	90 dB	90 dB	87 dB
Impédance nominale	8 Ohms	8 Ohms	8 Ohms	4 Ohms	4 Ohms	8 Ohms	8 Ohms
SPL maximum	110,8 dBA (paire)	112,6 dBA (paire)	115,6 dBA (paire)	116,8 dBA (paire)	117,8 dBA (paire)	112,5 dBA	110,1 dBA (paire)
Puissance nominale (RMS) en Watt	100 W	120 W	150 W	200 W	250 W	150 W	86 W
Réglages d'ampli conseillés (RMS)	40 – 100 W	40 – 120 W	60 – 150 W	80 – 200 W	80 – 200 W	60-150 W	40-85 W
Alignement des basses	Bass Reflex, Technologie de port Hive®	Bass Reflex, Technologie de port Hive	Double chambre Bass Reflex avec réglage différent Technologie de port Hive double	Bass Reflex, Technologie de port Hive double	Bass Reflex, Technologie de port Hive double	Cabinet scellé	Cabinet scellé
Fréquence de crossover	3,0 KHz	2,0KHz	L.F./H.F.: 700 Hz M.F./H.F.: 2,7KHz	L.F./M.F.: 500 Hz M.F./H.F.: 2,7KHz	L.F./M.F.: 560 Hz M.F./H.F.: 2,7KHz	2,6KHz	2,2KHz
Complément d'unité d'entraînement	1 x 6" RST® Haut-parleur médium/grave 1 x 8" RST Tweeter à dôme doré C-CAM® 1 x 1" (25 mm)	Haut-parleur médium/grave 1 x 8" RST Tweeter à dôme doré C-CAM 1 x 1" (25 mm)	Haut-parleur de grave 1 x 6" RST 1 x 6" RST Haut-parleur médium/grave Tweeter à dôme doré C-CAM 1 x 1" (25 mm)	Haut-parleur de grave 2 x 6" RST 1 x 4" RST Haut-parleur médium Tweeter à dôme doré C-CAM 1 x 1" (25 mm)	Haut-parleur de grave 2 x 8" RST 1 x 4" RST Haut-parleur médium Tweeter à dôme doré C-CAM 1 x 1" (25 mm)	Haut-parleur médium/grave 2 x 6" RST Tweeter à dôme doré C-CAM 1 x 1" (25 mm)	1 x 6" RST Haut-parleur médium/grave Tweeter à dôme doré C-CAM 1 x 1" (25 mm)
Dimensions du cabinet (sans la grille, les terminaux et le socle) (H x L x P)	312 x 185 x 240 mm 12 3/16 x 7 3/16 x 9 7/16 pouces	375 x 230 x 300 mm 14 3/8 x 9 1/16 x 11 13/16 pouces	865 x 186 x 240 mm 34 13/16 x 7 3/16 x 9 7/16 pouces	1000 x 185 x 300 mm 39 3/8 x 7 3/16 x 11 13/16 pouces	1050 x 230 x 300 mm 41 5/16 x 9 1/16 x 11 13/16 pouces	185 x 500 x 200 mm 7 3/16 x 19 11/16 x 7 7/8 pouces	250 x 311 x 130 mm 9 7/8 x 12 1/4 x 5 1/8 pouces
Dimensions externes (terminaux compris) (H x L x P)	312 x 185 x 263 mm 12 3/16 x 7 3/16 x 10 3/8 pouces	375 x 230 x 323 mm 14 3/8 x 9 1/16 x 12 11/16 pouces	865 x 186 x 263 mm 34 13/16 x 7 3/16 x 10 3/8 pouces	1000 x 185 x 323 mm 39 3/8 x 7 3/16 x 12 11/16 pouces	1050 x 230 x 323 mm 41 5/16 x 9 1/16 x 12 11/16 pouces	185 x 500 x 223 mm 7 3/16 x 19 11/16 x 8 3/4 pouces	250 x 311 x 130 mm 9 7/8 x 12 1/4 x 5 1/8 pouces
Dimensions externes (terminaux et grille compris) (H x L x P)	312 x 185 x 275 mm 12 3/16 x 7 3/16 x 10 3/16 pouces	375 x 230 x 335 mm 14 3/8 x 9 1/16 x 13 3/16 pouces	865 x 186 x 275 mm 34 13/16 x 7 3/16 x 10 3/16 pouces	1000 x 185 x 335 mm 39 3/8 x 7 3/16 x 13 3/16 pouces	1050 x 230 x 335 mm 41 5/16 x 9 1/16 x 13 3/16 pouces	185 x 500 x 235 mm 7 3/16 x 19 11/16 x 9 1/4 pouces	250 x 311 x 143 mm 9 7/8 x 12 1/4 x 5 5/8 pouces
Dimensions externes (piéd et socle compris) (H x L x P)	N/D	N/D	936 x 245 x 300 mm 36 7/8 x 9 5/8 x 11 13/16 pouces	1021 x 245 x 360 mm 40 3/16 x 9 5/8 x 14 3/16 pouces	1071 x 290 x 360 mm 42 3/16 x 11 7/16 x 14 3/16 pouces	Non utilisé	Non utilisé
Poids (par haut-parleur)	6,95kg (15lb 4oz)	9,7kg (21lb 6oz)	16,5kg (40lb 8oz)	23,53kg (51lb 6oz)	26,03kg (57lb 4oz)	9,6kg (21lb 2oz)	5,1kg (11lb 4oz)



Monitor Audio Ltd.
24 Brook Road
Rayleigh, Essex
SS6 7XJ
Angleterre
Tél : +44 (0)1268 740580
Fax : +44 (0)1268 740589
E-mail : info@monitoraudio.co.uk

monitoraudio.com

Conçu et élaboré au Royaume-Uni,
fabriqué en Chine

Silver **series**
manuale utente

Sommario

Sommario	29
Introduzione	30
Silver 1	31
Silver 2	31
Silver 6	31
Silver 8	31
Silver 10	31
Silver Centre	31
Silver FX	31
Installazione	32
Posizionamento audio-video	32
Posizionamento ottimale degli altoparlanti per audio-video	32
Configurazione switch Silver FX	33
Posizionamento per sistemi a 2 canali	35
Installare l'unità Silver FX	35
Montare l'unità Silver FX su una parete	36
Installare il basamento	36
Griglie	36
Piedino a punta	37
Per pavimenti con moquette	37
Per pavimenti in legno/duri	37
Collegare i cavi degli altoparlanti	38
Cavo scoperto	38
Cavo singolo	38
Spinotti a banana	38
Bi-Wire / Bi-Amp	38
Tappi per le aperture	39
Rodaggio	39
Specifiche	40

Introduzione

Basata sullo straordinario successo dei prodotti RX, la nuova serie Silver arricchisce il panorama degli altoparlanti di fascia media introducendo nuovi modelli e tecnologie. Le caratteristiche lanciate dai prestigiosi altoparlanti Platinum e Gold sono state rifinite, e le recenti innovazioni nella progettazione dei driver sono state integrate in una nuova serie Silver ampliata. Mentre le unità Silver 1, 2, 6, Centre ed FX mantengono lo stesso fattore di forma dei predecessori, l'altoparlante Silver 8 adotta un design completamente a 3 vie; inoltre il modello Silver 10, novità della linea, offre un esclusivo design a pavimento con doppio driver bassi da 8" per una risposta più profonda, dinamica e costante in ambienti di grandi dimensioni.

Nuovi driver per bassi e medi

A differenza dei coni tradizionali, che presentano un'apertura centrale per la bobina, i coni puntinati RST® (Rigid Surface Technology) C-CAM® della serie Silver assumono la forma di un piatto radiante senza soluzione di continuità che per natura offre più potenza e una maggiore superficie. La bobina resta sotto i coni, abbinata a un motore più grande grazie a un innovativo e più efficiente assemblaggio dei driver.

Inoltre i modelli Silver 8 e 10 includono un driver medi da 4" di nuova concezione che opera in un alloggiamento dedicato, attenuato e ottimizzato per fornire frequenze medie accurate. Presenta una piccola bobina in configurazione "underhung" rispetto al gap magnetico, in modo che la bobina resti sempre all'interno del gap per una modulazione significativamente ridotta e una distorsione estremamente bassa.

Nuovo tweeter

La distorsione causata dalla compressione dell'aria nella parte posteriore della cupola è stata eliminata grazie al nuovo design del tweeter C-CAM da 25 mm della serie Silver, che si apre in un'ampia camera a caricamento posteriore producendo una risonanza molto inferiore e una migliore attenuazione d'insieme. La risposta in frequenza del nuovo tweeter è più accurata alle frequenze più basse, per un passaggio più fluido e naturale al driver medi/bassi. Nel contempo, i miglioramenti apportati alla geometria del cono e al meccanismo di trasmissione aumentano l'estensione alle alte frequenze e riducono il break-up.

Altre caratteristiche del design

La nuova serie Silver ripropone i driver con fissaggio a bullone singolo utilizzati nei modelli RX per ridurre il timbro della cassa. Ciascun bullone funge da struttura rigida, ma elimina anche la necessità di utilizzare sistemi di fissaggio convenzionali, disaccoppiando il driver e il pannello anteriore per rimuovere un'ulteriore fonte di risonanza.



NOTA BENE: se il bullone dovesse allentarsi, con il tempo o durante il trasporto, utilizzare la chiave esagonale in dotazione per stringerlo. Una volta serrato il bullone, è sufficiente ruotare ancora di un quarto di giro.

La tecnologia HiVe, ripresa e migliorata dalla serie Platinum, è incorporata in tutti i modelli di subwoofer tranne Centre, FX e W12. HiVe utilizza un design rigato rettilineo che accelera il flusso dell'aria e riduce la turbolenza, per bassi chiari e potenti e una risposta transiente superiore. Nei crossover sono stati utilizzati condensatori a film di polipropilene e induttori con nucleo di aria e di acciaio laminato per mantenere il più possibile l'integrità del segnale. Tutti i modelli della nuova serie Silver offrono sensibilità superiore, distorsione ridotta e maggiore impedenza rispetto ai predecessori, rendendo possibile l'abbinamento con una gamma più ampia di attrezzature.

Silver 1

Il nuovo, compatto Silver 1 ha un singolo driver bassi/medi C-CAM® da 6" con coni RST puntinati in una classica configurazione monitor a 2 vie. La potenza elevata e la resa dinamica ne fanno la scelta perfetta da inserire in sistemi stereo a due canali o multicanale in ambienti di piccole e medie dimensioni.

Silver 2

Silver 2 presenta un potente driver bassi/medi RST C-CAM da 8" in un compatto design a 2 vie per il montaggio su asta. L'efficienza d'insieme superiore e la dimensione del driver offrono un'eccellente soglia dinamica insieme ai bassi estesi normalmente associati ai modelli da pavimento. L'eccezionale risoluzione, la potenza elevata e la resa notevolmente dinamica lo rendono adatto ai sistemi stereo a due canali o multicanale in ambienti di medie e grandi dimensioni.

Silver 6

Silver 6 incorpora un driver bassi RST C-CAM da 6" e un driver bassi/medi RST C-CAM da 6" in una configurazione a 2,5 vie. I driver sono alloggiati in camere acustiche separate all'interno dello chassis per fornire un accordo differenziale che assicura un'efficienza superiore e una migliore estensione sulle basse frequenze. La dinamica eccellente, le caratteristiche sonore naturalmente ritmiche e i bassi ben definiti e controllati lo rendono spettacolare per la musica e per l'audio dei film.

Silver 8

Silver 8 ha un nuovo design a 3 vie con un driver medi RST C-CAM da 4" affiancato da driver bassi RST C-CAM ultra long da 6". Introdotta con la serie Silver, questa configurazione speciale è ottimizzata per offrire una maggiore accuratezza su una banda di frequenza critica, garantendo medi incredibilmente precisi insieme a bassi estesi. Una cassa più alta e meno profonda e una migliore attenuazione permettono di posizionare l'unità più liberamente nella stanza, mentre sensibilità e impedenza maggiori consentono un'amplificazione più semplice per una dinamica ricca anche negli ambienti più grandi.

Silver 10

Silver 10 è un modello completamente nuovo che presenta una configurazione a 3 vie in un grande sistema tower da pavimento. Il driver medi RST C-CAM da 4" è affiancato da driver bassi RST C-CAM ultra long da 8". Il design acustico è simile a quello dell'unità Silver 8, ma i driver di dimensioni maggiori permettono di riprodurre musica e film con un audio estremamente potente e a larga banda anche nelle stanze più grandi.

Silver Centre

Il compatto Silver Centre presenta due driver bassi/medi RST C-CAM da 6" e in configurazione mid-tweeter-mid. Questo modello è stato accordato per abbinarsi alle caratteristiche tonali degli altri prodotti della linea Silver garantendo un audio frontale impeccabile nelle applicazioni multicanale.

Silver FX

Il design con pannello inclinato dal profilo discreto del nuovo altoparlante surround Silver FX incorpora un singolo driver bassi/medi RST C-CAM da 6" in posizione frontale e due tweeter C-CAM laterali. È possibile montarlo a filo su una parete laterale o posteriore, e cambiarne le caratteristiche di dispersione semplicemente impostando uno switch sul funzionamento dipolare o bipolare.

Installazione

Posizionamento audio-video

Le immagini sulle pagine seguenti mostrano il posizionamento ottimale e alcune disposizioni consigliate per le applicazioni audio-video. Per consigli sulla configurazione di un sistema a 2 canali, fare riferimento a pagina 7.

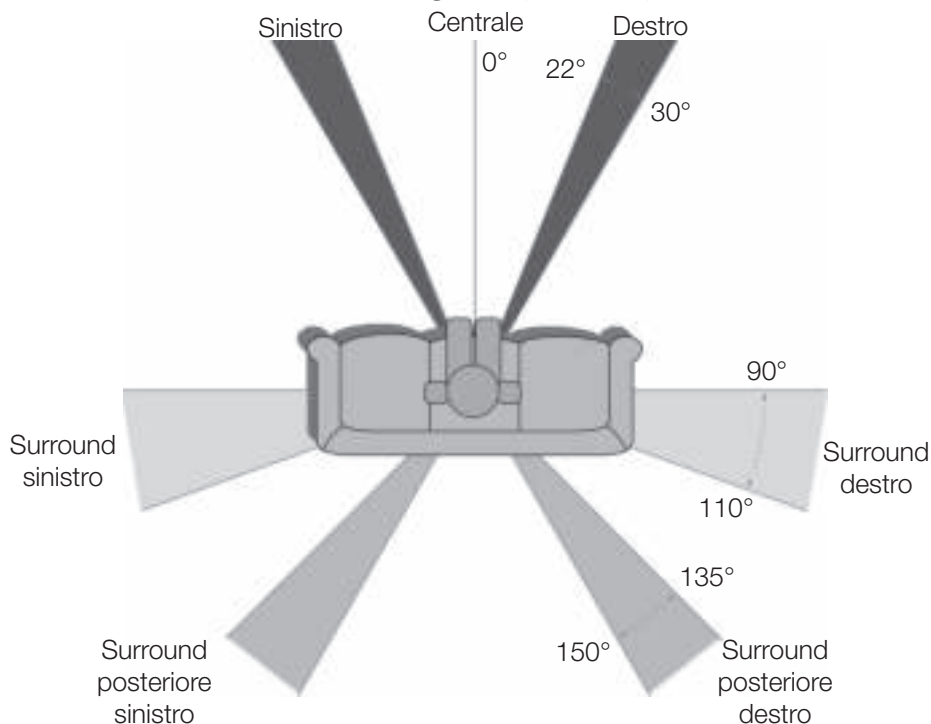
Gli altoparlanti frontali, e in alcuni casi posteriori, a pavimento e su asta dovrebbero essere posizionati a una distanza di circa 1,8 m - 2,5 m l'uno dall'altro, con la prima unità a circa 25 cm dalla parete.

Se durante la riproduzione di musica i bassi sono eccessivi o rimbombano, allontanare leggermente gli altoparlanti dalle pareti posteriori/laterali. Se ciò non fosse possibile, provare a installare sulle aperture i tappi in dotazione (non forniti con Silver FX o Centre). Fare riferimento a pagina 11.

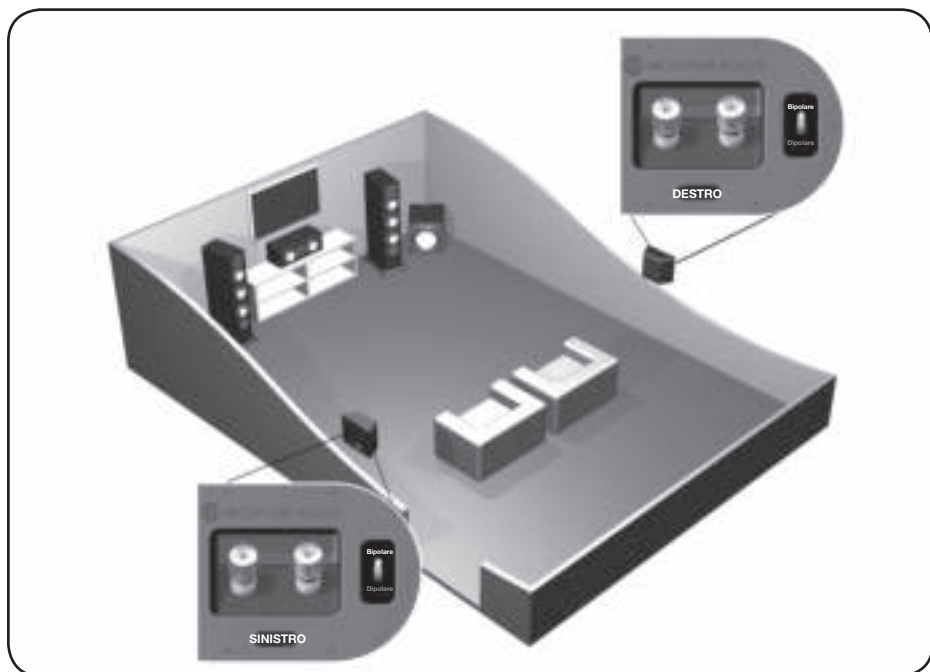
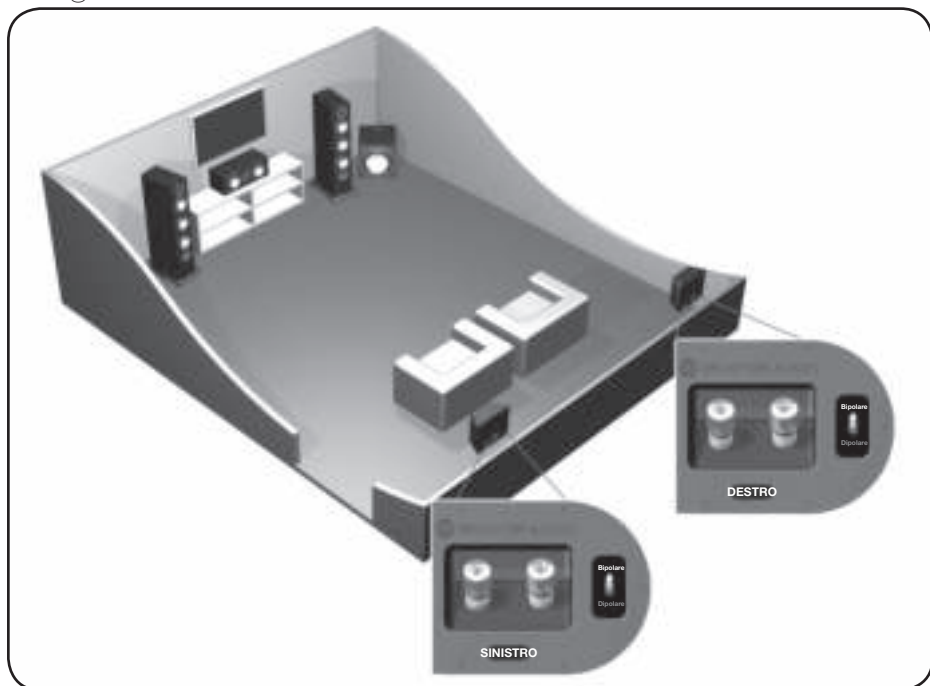
L'unità Centre andrebbe sistemata in modo da puntare verso la posizione dello spettatore, approssimativamente all'altezza delle orecchie. Se l'altezza è inferiore o superiore, utilizzare dei piedini in gomma (la versione piccola è inclusa) per inclinarla leggermente.

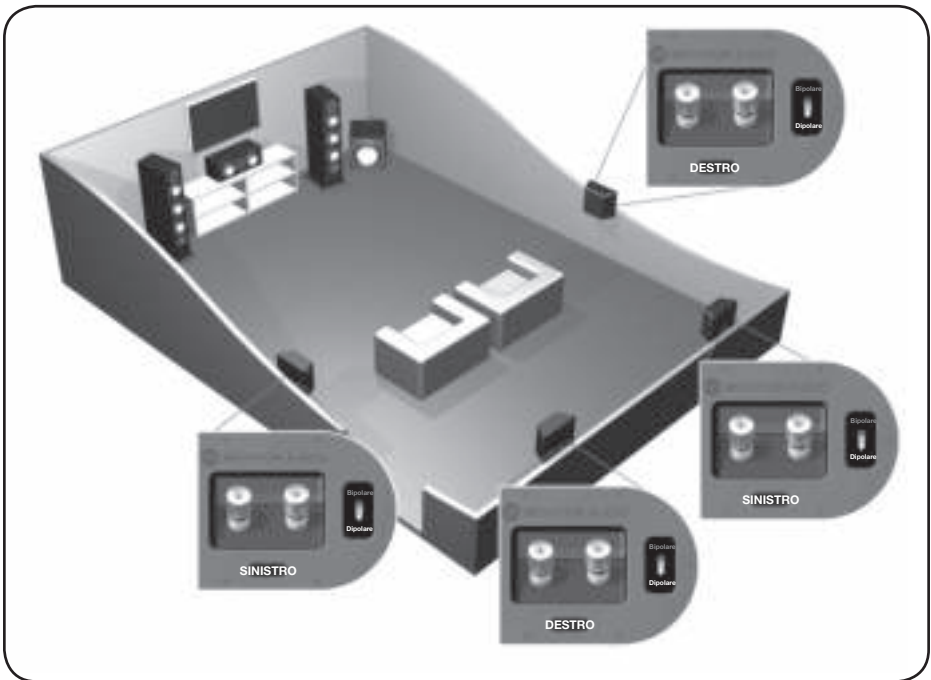
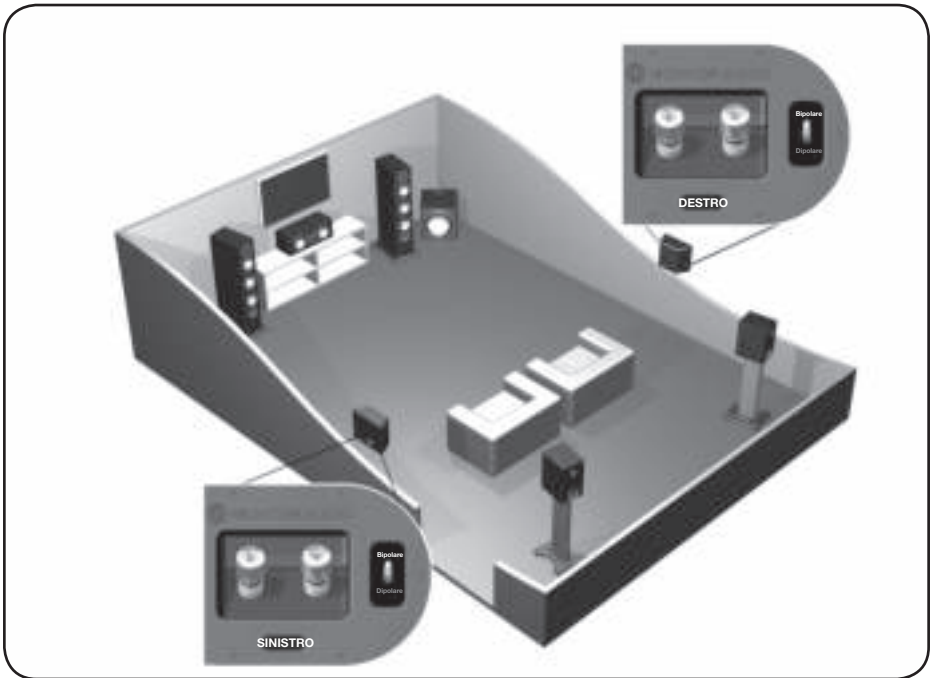
L'unità FX dovrebbe essere posizionata secondo l'illustrazione qui sotto, e circa 60 cm sopra l'altezza delle orecchie dello spettatore in posizione d'ascolto. Fare riferimento a pagina 7 per maggiori dettagli.

Posizionamento ottimale degli altoparlanti per audio-video



Configurazione switch Silver FX





Posizionamento per sistemi a 2 canali

Per l'utilizzo in un sistema a 2 canali, la posizione d'ascolto e gli altoparlanti dovrebbero formare un triangolo equilatero. Le casse andrebbero posizionate a una distanza di circa 1,8 m - 3 m l'una dall'altra. Idealmente dovrebbero trovarsi a 20 cm - 45 cm dalla parete posteriore e a 1 m dalle pareti laterali.

È vivamente consigliato provare varie soluzioni quando si installano gli altoparlanti per la prima volta, così da poter fare la scelta migliore in base all'ambiente e alle preferenze personali. Se ad esempio i bassi sono insufficienti, provare ad avvicinare gli altoparlanti a una parete. Se invece i bassi sono eccessivi, provare ad allontanarli. Leggere anche le informazioni sui tappi per le aperture a pagina 11. Se la resa stereo si è deteriorata, provare a ruotare leggermente gli altoparlanti verso il punto d'ascolto. Il suono dovrebbe sembrare provenire dal punto centrale fra gli altoparlanti, non dalle casse.

Installare l'unità Silver FX



NOTA BENE: quando si utilizzano due coppie di Silver FX in un sistema 7.1, occorre usare l'altoparlante destro per il surround posteriore sinistro e l'altoparlante sinistro per il surround posteriore destro. Ciò è dovuto alla fase dei tweeter.

Gli altoparlanti Silver FX sono accoppiati in modo specifico: unità di destra e unità di sinistra. Entrambe le coppie possono essere configurate in modalità bipolare (funzionamento normale) o dipolare. L'impostazione di fabbrica è bipolare.

In modalità bipolare, tutte le unità (medi/bassi e tweeter) sono in fase. Questa caratteristica è progettata per l'utilizzo delle casse FX come altoparlanti posteriori/surround in un tipico sistema 5.1, o alternativamente in un sistema 7.1 che non include una seconda coppia di FX per l'audio posteriore/surround.

In modalità dipolare i tweeter con orientamento posteriore sono fuori fase rispetto all'altro tweeter e all'unità medi/bassi. È meglio adottare questa configurazione quando si usano due coppie di FX in un sistema 7.1, con le unità FX posizionate sulla parete posteriore e su quelle laterali. Occorre tenere presente che le unità FX sono specificamente di tipo sinistro e destro. Ciò non rappresenta un problema in modalità bipolare, mentre è necessario posizionarle correttamente quando vengono utilizzate in un sistema 7.1. Fare riferimento alla sezione sul posizionamento a pagina 4.



NOTA BENE: prima di cambiare la modalità delle unità FX da bipolare a dipolare, assicurarsi che i cavi siano scollegati dagli altoparlanti per evitare di danneggiare l'amplificatore.

Montare l'unità Silver FX su una parete



ATTENZIONE: determinare la posizione di montaggio dell'unità Silver FX e verificare la struttura della parete. Per motivi di sicurezza, se non si è certi di poter fissare l'unità in modo stabile e sicuro, non tentare di montarla sulla parete. Chiedere invece l'intervento di un professionista qualificato.



ATTENZIONE: assicurarsi che dietro il punto in cui verranno fissate le staffe a muro non siano presenti tubi idrici o cavi elettrici. Utilizzare una scala stabile ed evitare di lasciare cavi pendenti.

Con le unità FX non vengono forniti tasselli e viti per il montaggio. Assicurarsi di utilizzare dispositivi di montaggio adatti al tipo di parete su cui si intende installare l'unità.

Per fissare l'unità FX sulla parete, raccomandiamo di utilizzare il modello che si trova nella scatola del prodotto.

Installare il basamento

Solo modelli da pavimento

Le unità Silver 6, 8 e 10 sono fornite di basamenti che migliorano la stabilità e la risposta acustica. I basamenti si fissano sulle unità con i bulloni M10 in dotazione. Quando lo spazio è limitato è possibile non utilizzarli. Nel caso i basamenti non vengano usati, installare i piedini a punta direttamente sulla cassa.

Prima di montare il basamento assicurarsi che sul pavimento non ci siano oggetti duri o taglienti. Ribaltare la cassa in modo che la parte inferiore sia rivolta verso l'alto. Posizionare il basamento sulla cassa orientandolo correttamente, allineando i fori per i bulloni con gli inserti sulla cassa. Utilizzare i bulloni per fissare il basamento sulla cassa. Stringerli poco per volta e verificare che il basamento sia fissato saldamente. Prima di ribaltare nuovamente la cassa, installare i piedini sul basamento (leggere le istruzioni sulla prossima pagina). Le punte si usano per migliorare la qualità sonora e la resa dei bassi.

Griglie

Tutti gli altoparlanti della serie Silver sono dotati di griglie coperte da un tessuto acusticamente trasparente. Sono fissate in modo invisibile tramite magneti presenti sia nella griglia che nella cassa (eccetto FX).

Per installare le griglie, prima di tutto verificare che siano orientate correttamente (badge in basso), quindi avvicinarle alla cassa. I magneti dovrebbero attrarle in posizione.

Sull'unità FX le griglie sono installate in fabbrica. Per rimuoverle, staccarle delicatamente dalla cassa usando la punta delle dita. Ogni cassa ha tre griglie separate.



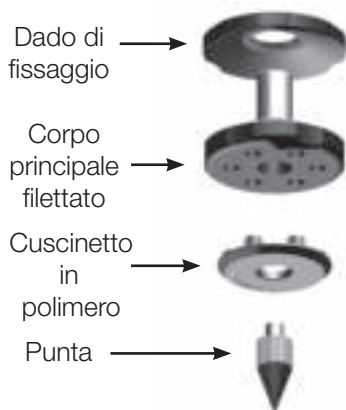
ATTENZIONE: rimuovere sempre le griglie prima di sollevare o spostare gli altoparlanti.

Piedino a punta

Per pavimenti con moquette

Solo modelli da pavimento

Il piedino a punta utilizzato nella serie Silver incorpora una punta per i pavimenti con moquette e anche un cuscinetto in polimero morbido per pavimenti in legno o piastrellati.



Assicurarsi che sotto la moquette non ci siano cavi nascosti che potrebbero venire danneggiati dalle punte.

Il piedino è fornito già assemblato per l'uso su pavimenti con moquette. È sufficiente montarlo sul basamento (o sulla cassa se il basamento non viene usato). Per farlo, avvitare completamente i piedini nei 4 inserti filettati presenti sul fondo del basamento o della cassa. Se la moquette è molto spessa, rimuovere il cuscinetto in polimero morbido dal piedino per assicurarsi che la punta penetri nella moquette fino al pavimento. Ribaltare la cassa

facendo molta attenzione, sistemarla nella posizione desiderata e verificare che tutti i lati siano in piano. Se è leggermente sbilanciata, svitare la punta che si trova nel punto più basso e controllare di nuovo. Continuare in questo modo finché la cassa non sarà completamente in piano. Utilizzare il dado di fissaggio sul piedino per bloccarlo ed evitare vibrazioni.

Per pavimenti in legno/duri

Solo modelli da pavimento

In caso di pavimenti duri, o quando le punte non sono adatte, è possibile utilizzare il piedino senza la punta. Per farlo, afferrare delicatamente la parte zigrinata della punta, ruotare in senso antiorario e svitare completamente la punta.

Può essere utile rimuovere per primo il cuscinetto in polimero in modo da avere una presa migliore sulla punta. Riposizionare il cuscinetto prima di procedere al livellamento della cassa come descritto sopra.



Collegare i cavi degli altoparlanti

Cavo scoperto

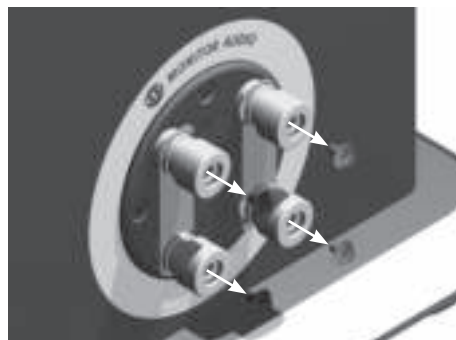
Svitare i morsetti e far scorrere il cavo scoperto attraverso il foro passante, quindi stringere il morsetto per fissare il cavo.



Spinotti a banana

Rimuovere i tappi di plastica rossi e neri dai terminali e inserire gli spinotti a banana nei fori così scoperti.

Potrebbe essere necessario usare la lama di un coltello o un cacciavite piatto per sollevare i tappi.



Cavo singolo

Collegare gli spinotti a banana o il cavo scoperto ai terminali in alto, in basso o in diagonale (provare diverse soluzioni fino a ottenere i risultati voluti).

Bi-Wire / Bi-Amp

Collegare gli spinotti a banana ai terminali superiori e inferiori (positivo-positivo e negativo-negativo).



Non rimuovere i ponticelli.



I ponticelli DEVONO essere rimossi.



Tappi per le aperture



ATTENZIONE: fare attenzione a non inserire il tappo in schiuma troppo a fondo nell'apertura, per evitare il rischio di perderlo all'interno della cassa.

Se l'altoparlante verrà installato in una stanza piccola (circa 9 mq) o in un ambiente che tende ad accentuare la risposta dei bassi, può essere utile utilizzare i tappi per le aperture. Tuttavia, prima di installare i tappi è bene fare qualche prova variando il posizionamento della cassa. Per ottimizzare le prestazioni dell'altoparlante, assicurarsi che non sia troppo vicino a una parete o negli angoli della stanza (cfr. i suggerimenti alle pagine 4 e 7).

Se il posizionamento dell'altoparlante è condizionato dall'estetica o dalla disposizione della stanza, o se i bassi risultano accentuati, leggere il successivo punto 1 per le unità Silver 1 e 2, e il punto 2 per i modelli Silver 6, 8 e 10.

1. Quando è necessario posizionare altoparlanti installati su una mensola o su un'asta (Silver 1 e 2) a meno di 20 cm da una parete posteriore (per esempio su una libreria, sistemati in un mobiletto o su un'asta accanto a un muro), si raccomanda di utilizzare i tappi per le aperture. Ciò permetterà di ridurre il rimbombo dei bassi e aiuterà il diffusore a dare il meglio in queste condizioni ambientali.
2. Quando è necessario posizionare altoparlanti a pavimento (Silver 6, 8 e 10) a meno di 45 cm da una parete posteriore, si raccomanda di utilizzare i tappi per le aperture. Ciò permetterà di ridurre il rimbombo dei bassi e aiuterà il diffusore a dare il meglio in queste condizioni ambientali.

Che cos'è il rimbombo dei bassi?

Il rimbombo si verifica generalmente quando l'energia dei bassi provenienti dall'altoparlante crea delle risonanze che accentuano una frequenza particolare o anche varie frequenze.

L'uso dei tappi non riduce l'estensione d'insieme dei bassi, tuttavia viene ridotta l'energia/potenza di uscita dei bassi intorno alla frequenza di accordo dell'apertura. Ciò ha l'effetto di diminuire il rimbombo aumentando nel contempo la chiarezza e l'agilità apparente dei bassi.

Si consiglia vivamente di sperimentare varie soluzioni.

Rodaggio

Gli altoparlanti richiedono un periodo di "rodaggio" prima di arrivare a offrire prestazioni ottimali. Nel caso della serie Silver, saranno necessarie circa 60 - 70 ore di riproduzione. Durante il rodaggio si raccomanda di non spingere gli altoparlanti a volumi molto alti, perché ciò potrebbe danneggiarli. Con il passare del tempo il suono diventerà più ricco, chiaro e definito, e molto più controllato.

MODELLO	Silver 1	Silver 2	Silver 6	Silver 8	Silver 10	Silver Centre	Silver FX
Formato sistema	2 vie	2 vie	2,5 vie	3 vie	3 vie	2 vie (M - T - M)	2 vie
Risposta in frequenza	45 Hz - 35 KHz	40 Hz - 35 KHz	35 Hz - 35 KHz	32 Hz - 35 KHz	30 Hz - 35 KHz	45 Hz - 35 KHz	60 Hz - 35 KHz
Sensibilità (1W@1M)	87 dB	88 dB	90 dB	90 dB	90 dB	90 dB	87 dB
Impedenza nominale	8 Ohm	8 Ohm	8 Ohm	4 Ohm	4 Ohm	8 Ohm	8 Ohm
SPL massimo	110,8 dBA (coppia)	112,6 dBA (coppia)	115,5 dBA (coppia)	116,8 dBA (coppia)	117,8 dBA (coppia)	112,5 dBA	110,1 dBA (coppia)
Tenuta di potenza (RMS)	100 W	120 W	150 W	200 W	250 W	150 W	85 W
Requisiti consigliati amplificatore (RMS)	40 - 100 W	40 - 120 W	60 - 150 W	80 - 200 W	80 - 200 W	60 - 150 W	40 - 85 W
Allineamento bassi	Bass reflex. Apertura Hfve®	Bass reflex. Apertura Hfve	Bass reflex a doppia camera con accordo differenziale. Due aperture Hfve	Bass reflex. Due aperture Hfve	Bass reflex. Due aperture Hfve	Cassa chiusa	Cassa chiusa
Frequenza crossover	3,0 KHz	2,0 KHz	B.F.: 700 Hz M.F./A.F.: 2,7 KHz	B.F./M.F.: 500 Hz M.F./A.F.: 2,7 KHz	B.F./M.F.: 550 Hz M.F./A.F.: 2,7 KHz	2,6 KHz	2,2 KHz
Complemento unità drive	1 driver bassi/medi RST® da 6" 1 tweeter C-CAM® Gold Dome da 1" (25 mm)	1 driver bassi/medi RST da 8" 1 tweeter C-CAM Gold Dome da 1" (25 mm)	1 driver bassi/medi RST da 6" 1 driver 1 tweeter C-CAM Gold Dome da 1" (25 mm)	2 driver bassi RST da 6" 1 driver medi RST da 4" 1 tweeter C-CAM Gold Dome da 1" (25 mm)	2 driver bassi RST da 8" 1 driver medi RST da 4" 1 tweeter C-CAM Gold Dome da 1" (25 mm)	2 driver bassi/medi RST da 6" 1 tweeter C-CAM Gold Dome da 1" (25 mm)	1 driver bassi/medi RST da 6" 1 tweeter C-CAM Gold Dome da 1" (25 mm)
Dimensioni esterne (esclusi griglia, terminali e basamento) (H x W x D)	312 x 185 x 240 mm 12 5/16" x 7 5/16" x 9 7/16"	375 x 230 x 300 mm 14 3/4" x 9 1/16" x 11 13/16"	885 x 185 x 240 mm 34 13/16" x 7 5/16" x 9 7/16"	1000 x 185 x 300 mm 39 3/8" x 7 5/16" x 11 13/16"	1050 x 230 x 300 mm 41 5/16" x 9 1/16" x 11 13/16"	185 x 500 x 200 mm 7 5/16" x 19 1/16" x 7 7/8"	250 x 311 x 130 mm 9 13/16" x 12 1/4" x 5 1/8"
Dimensioni esterne (inclusi terminali) (H x W x D)	312 x 185 x 263 mm 12 5/16" x 7 5/16" x 10 3/8"	375 x 230 x 323 mm 14 3/4" x 9 1/16" x 12 11/16"	885 x 185 x 263 mm 34 13/16" x 7 5/16" x 10 3/8"	1000 x 185 x 323 mm 39 3/8" x 7 5/16" x 12 11/16"	1050 x 230 x 323 mm 41 5/16" x 9 1/16" x 12 11/16"	185 x 500 x 223 mm 7 5/16" x 19 1/16" x 8 3/4"	250 x 311 x 130 mm 9 13/16" x 12 1/4" x 5 1/8"
Dimensioni esterne (inclusi griglia e terminali) (H x W x D)	312 x 185 x 275 mm 12 5/16" x 7 5/16" x 10 9/16"	375 x 230 x 335 mm 14 3/4" x 9 1/16" x 13 3/16"	885 x 185 x 275 mm 34 13/16" x 7 5/16" x 10 9/16"	1000 x 185 x 335 mm 39 3/8" x 7 5/16" x 13 3/16"	1050 x 230 x 335 mm 41 5/16" x 9 1/16" x 13 3/16"	185 x 500 x 235 mm 7 5/16" x 19 1/16" x 9 1/4"	250 x 311 x 143 mm 9 13/16" x 12 1/4" x 5 5/8"
Dimensioni esterne (inclusi basamento e piedini) (H x W x D)	N/D	N/D	936 x 245 x 300 mm 36 7/8" x 9 5/8" x 11 13/16"	1021 x 245 x 360 mm 40 3/16" x 9 5/8" x 14 3/16"	1071 x 290 x 360 mm 42 3/16" x 11 7/16" x 14 3/16"	N/D	N/D
Peso (ciascano)	6,95kg (15lb 4oz)	9,7kg (21lb 6oz)	16,5kg (40lb 8oz)	23,53kg (51lb 6oz)	26,03kg (57lb 4oz)	9,6kg (21lb 2oz)	5,1kg (11lb 4oz)



Monitor Audio Ltd.
24 Brook Road
Rayleigh, Essex
SS6 7XJ
Inghilterra
Tel: +44 (0)1268 740580
Fax: +44 (0)1268 740589
E-mail: info@monitoraudio.co.uk

monitoraudio.com

Progettato nel Regno Unito,
fabbricato in Cina

Silver **series**

Bedienungsanleitung

Inhalt	43
Einführung	44
Silver 1	45
Silver 2	45
Silver 6	45
Silver 8	45
Silver 10	45
Silver-Center	45
Silver-FX	45
Einstellung	46
AV-Aufstellung	46
Optimale Aufstellung von AV-Lautsprechern	46
Silver FX – Schaltereinstellung	47
Zweikanal-Aufstellung	49
Aufstellung des Silver-FX	49
Wandbefestigung des Silver-FX	50
Sockelbefestigung	50
Gitter	50
Spitzer Fuß	51
Bei Teppichböden	51
Bei Holzböden / harten Bodenbelägen	51
Verbindung der Lautsprecherkabel	52
Abisolierte Leiterenden	52
Einzelader	52
Bananenstecker	52
Bi-Wiring / Bi-Amping	52
Anschlusspfropfen	53
Einfahren	53
Technische Daten	54

Einführung

Wegen des außerordentlichen Erfolgs des RX als Blaupause ist die Silver-Serie ein Fortschritt in der Kunst der Entwicklung von Lautsprechern im mittleren Marktsegment durch neue Modelle und Technologien. Die mit dem prestigeträchtigen Lautsprecher der Platinum- und Gold-Serien eingeführten Funktionen wurden weiter verbessert – zudem wurden in der erweiterten neuen Silver-Serie die neusten Innovationen der Lautsprecherherstellung implementiert. Obwohl Silver 1, 2, 6, Center und FX den Formfaktor der Vorgängermodelle beibehalten, verwendet der Silver 8 ein vollständiges Drei-Wege-Design und der neu zur Silver-Familie gestoßene Silver 10 bietet ein vergrößertes Standformat mit zwei 8"-Basslautsprechern für eine tiefere, dynamischere und gleichmäßigere Resonanz in größeren Räumen.

Neue Tief- und Mitteltöner

Im Gegensatz zum normalen Konus mit einer Mittelöffnung für die Schwingspule hat der gekräuselte RST®-(Rigid Surface Technology – Festoberflächentechnik)-C-CAM®-Konus der Silver-Serie die Form einer kontinuierlichen und ununterbrochenen Strahlenplatte mit einer grundsätzlich höheren Stärke und einer größeren Fläche. Die Schwingspule sitzt direkt darunter und ist durch ein innovatives und effizienteres Antriebsaggregat mit einem größeren Antrieb verbunden.

Zudem bieten die Modelle Silver 8 und 10 einen neu entwickelten 4"-Mitteltöner, der in einem eigenen gedämpften und optimierten Gehäuse sitzt und fehlerfreie mittlere Frequenzen liefert. Er verwendet eine kurze Schwingspule, die im Vergleich zum Magnetspalt „vorsteht“ – dies garantiert, dass die Spule jederzeit im Spalt bleibt – und dies wiederum ergibt eine beträchtlich verringerte Modulation und eine extrem niedrige Verzerrung.

Neuer Hochtöner

Die Verzerrung durch die Luftverdichtung hinten an der Hochtonkalotte wurde durch den neuen 25mm-C-CAM-Hochtöner von Silver, der in einen rückwärtigen Ladebereich entlüftet, beseitigt. Dies erzeugt eine geringere Resonanz und ein verbessertes Gesamt-Dämpfungsverhalten. Der Frequenzbereich des neuen Hochtöners ist bei niedrigeren Frequenzen genauer und ergibt eine natürlichere Übergabe bei den Mittel- und Tieftönern. Gleichzeitig wurde das Hochtonverhalten verbessert und die Auflösung reduziert. Dies erfolgte durch Fortschritte bei der Konusgeometrie und dem Antriebsmechanismus.

Weitere Designmerkmale

Die neue Silver-Serie bewahrt die RX-Einzelantriebsbefestigung zur Verringerung der Gehäuseverfärbung. Jede Schraube dient als feste Klammer, macht aber gleichzeitig eine konventionelle Antriebsbefestigung überflüssig. Dies sorgt für eine wirksame Entkopplung von Antrieb und der vorderen Schallwand und beseitigt eine weitere Resonanzquelle.



HINWEIS: Wenn sich diese Schraube irgendwann lösen sollte oder sich bereits beim Transport gelockert hat, verwenden Sie bitte den mitgelieferten Innensechskant-Schraubendreher, um die Schraube wieder zu befestigen. Hierfür ist nur eine Vierteldrehung erforderlich, nachdem die Schraube angezogen hat.

Ausgehend von Platinum wurde Monitor Audios HiVe-Port-Technologie bei allen Lautsprechern verwendet, mit Ausnahme der Center-, FX- und W12-Subwoofer-Modelle. HiVe nutzt ein direkt gezogenes Design zur Beschleunigung des Luftstroms und zur Verringerung von Turbulenzen. Dies sorgt für einen kräftigen Bass und ein überragendes Einschwingverhalten. Bei den Übergängen werden Polypropylenfolie-Kondensatoren, ein Luftkern und beschichtete Stahlkern-Induktoren verwendet, um die bestmögliche Signalintegrität zu gewährleisten. Alle Modelle der neuen Silver-Serie bieten eine höhere Empfindlichkeit, verringerte Verzerrung und eine höhere Impedanz als die Vorgängermodelle. Dies garantiert eine größere Auswahl bei den angeschlossenen Geräten.

Silver 1

Der kompakte neue Silver 1 bietet einen 6"-C-CAM®-Tief-/Mitteltöner mit gekräuselter RST-Konusteknologie bei einer klassischen Zweibege-Gerätekonfiguration. Eine hohe Leistung und eine dynamische Bereitstellung machen den Silver 1 zur idealen Wahl für kleine bis mittelgroße Räume bei Zweikanal-Stereo- oder Mehrkanal-Kinoanlagen.

Silver 2

Der Silver 2 bietet einen leistungsstarken 8"-C-CAM-, RST-Tief-/Mitteltöner in einem kompakten Design mit Zweibege-Standhalterung. Der verbesserte Gesamtwirkungsgrad und die Tönergröße ergeben eine dynamische Aussteuerungsreserve mit einem erweiterten Bass, den man gewöhnlich nur bei Standmodellen kennt. Durch die außergewöhnliche Auflösung mit der hohen Leistung und die beeindruckende dynamische Bereitstellung eignet sich der Silver 2 für mittelgroße bis große Räume bei Zweikanal-Stereo- oder Mehrkanal-Kinoanlagen.

Silver 6

Der Silver 6 besitzt einen 6"-C-CAM-RST-Tieftöner und einen 6"-C-CAM-RST-Tief-/Mitteltöner in einer 2,5-Wege-Systemkonfiguration. Die Töner sitzen in eigenen Akustikkammern im Gehäusedesign und bieten eine unterschiedliche Anpassung für eine höhere Leistung und eine verbesserte Tieftönererweiterung. Die ausgezeichnete Dynamik macht den Silver 6 in Verbindung mit einem natürlich-rhythmischen Klangcharakter und dem knackigen, kontrollierten Bass zu einem überragenden Kommunikator für Musik und Filmtönen.

Silver 8

Der Silver 8 besitzt ein neues Dreibege-Design mit Silvers 4"-C-CAM-RST-Mitteltöner, flankiert durch langhubige C-CAM-RST-6"-Tieftöner. Diese besondere Konfiguration wurde für eine höhere Genauigkeit über ein kritisches Frequenzband optimiert und liefert einen überragenden mittleren Schwerpunkt sowie perfekte Präzision und einen erweiterten Bass. Ein größeres und flacheres Gehäuse sowie eine verbesserte Dämpfung ermöglichen eine höhere Flexibilität bei der Positionierung im Raum. Gleichzeitig erleichtern die höhere Empfindlichkeit und Impedanz des Silver 8 die Ansteuerung einer raumfüllenden Dynamik – selbst in größeren Räumen.

Silver 10

Mit dem Silver 10 wird ein völlig neues Modell eingeführt. Es besteht aus einer Dreibege-Konfiguration in einem System mit großem Standturm. Beim Silver 10 wird der 4"-C-CAM-RST-Mitteltöner von 8"-C-CAM-RST-Langhub-Tieftönern flankiert. Die akustische Gestaltung ähnelt dem Silver 8, doch durch die erweiterte Tönergröße kann der Silver 10 selbst größte Räume mit einem natürlich klaren Breitbandton von Musik- und Filmquellen füllen.

Silver-Center

Der kompakte Silver-Center bietet doppelte 6"-C-CAM-RST-Tief-/Mitteltöner in einer bewährten Mitteltöner-Anordnung. Der Silver-Center wurde dafür optimiert, den klanglichen Charakter der Silver-Lautsprecherfamilie zu ergänzen. Dies ergibt bei Mehrkanal-Anwendungen eine makellose Klangwiedergabe von vorne.

Silver-FX

Das dezent profilierte und abgeschrägte Schallwand-Design des neuen Silver-FX-Surround-Lautsprechers umfasst einen vorderseitigen 6"-C-CAM-RST-Tief-Mitteltöner und doppelte seitlich angebrachte C-CAM-Hochtöner. Er kann flächenbündig an Seiten- oder Rückwänden montiert werden und seine Dispersionseigenschaften können auf Knopfdruck zwischen einem dipolaren und bipolaren Betrieb umgeschaltet werden.

Einstellung

AV-Aufstellung

Die Abbildungen auf den folgenden Seiten zeigen die optimale Aufstellung und geben einige Vorschläge für die Raumaufteilung bei AV-Anwendungen. Weitere Ratschläge für die Konfiguration eines Zweikanalsystems finden Sie auf Seite 7.

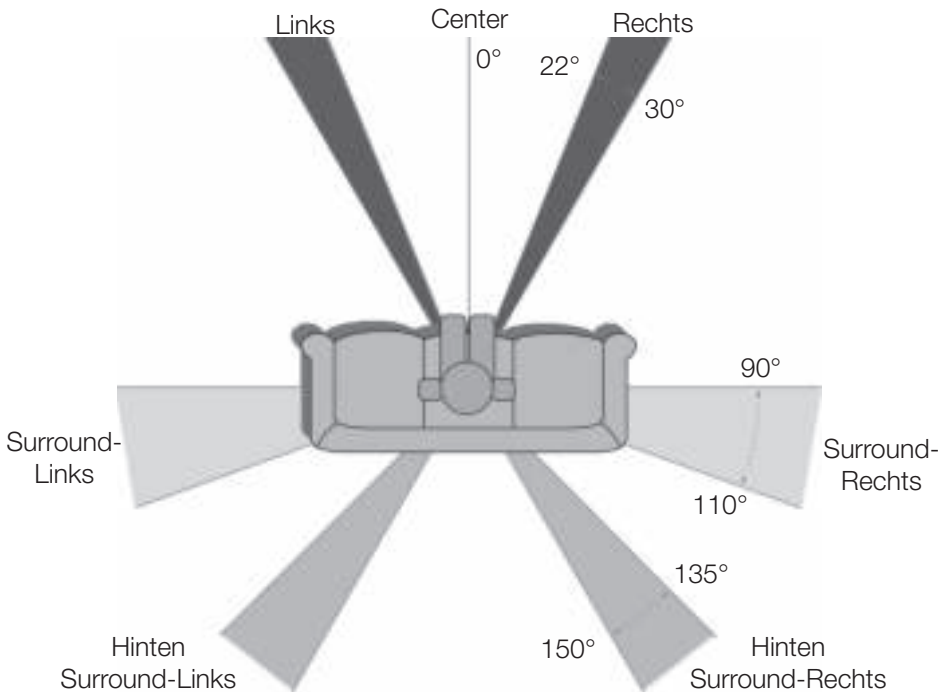
Die vorderen und in einigen Fällen auch die hinteren am Boden stehenden Lautsprecher sowie Lautsprecher mit Standhalterung sollten etwa in einem Abstand von 1,8 m bis 2,5 m zueinander und mit einem Abstand von etwa 25 cm zur Wand aufgestellt werden.

Wenn der Klang bei der Musikwiedergabe zu basslastig ist oder im Raum ein Bassdröhnen auftritt, stellen Sie die Lautsprecher etwas weiter von den hinteren / seitlichen Wänden entfernt auf. Ist dies nicht möglich, verwenden Sie bitte die mitgelieferten Anschlusspfropfen (nicht beim Silver-FX und Silver-Center enthalten). Vergleichen Sie Seite 11.

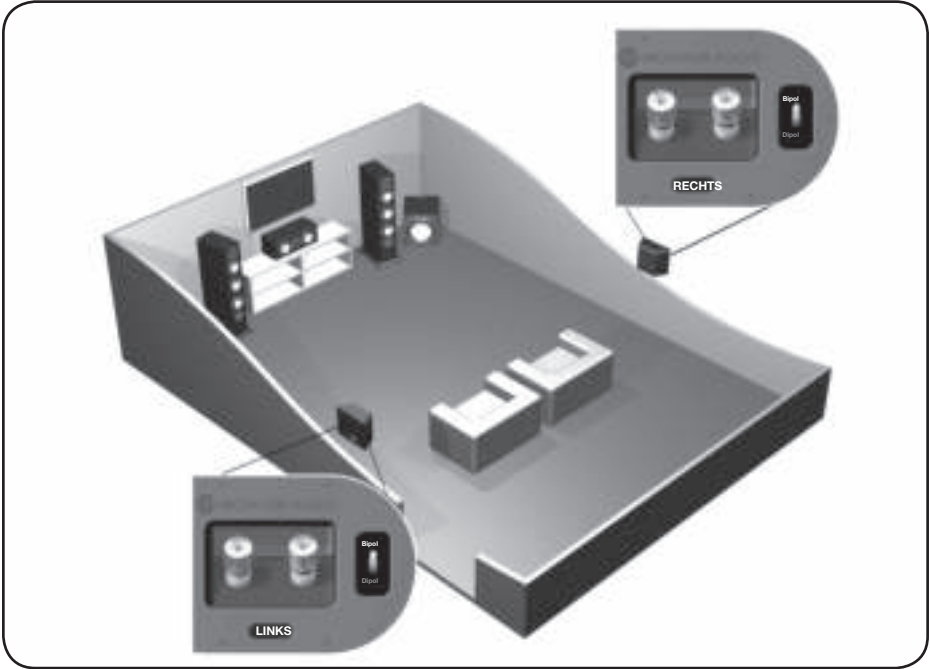
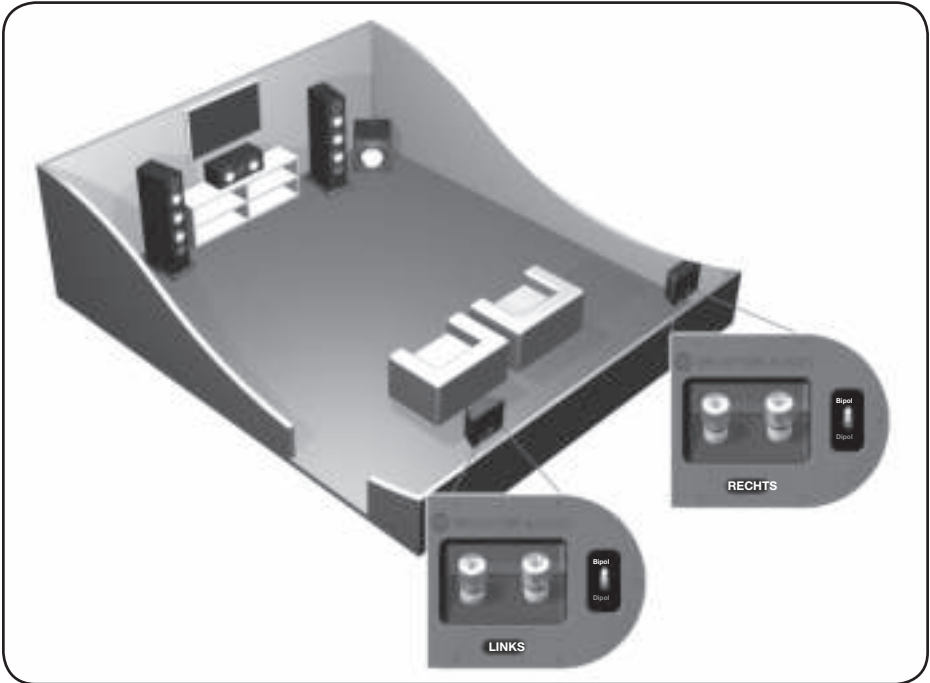
Der Center sollte so aufgestellt werden, dass er auf Ihre Betrachtungsposition ausgerichtet ist und sich etwa in Ohrhöhe befindet. Falls er sich unter oder über Ohrhöhe befindet, verwenden Sie GummifüÙe (es werden kleine FüÙe mitgeliefert), um den Winkel geringfügig anzupassen.

Die FX-Lautsprecher sollten entsprechend den unten angegebenen Abbildungen aufgestellt werden – etwa 60 cm über Ohrhöhe Ihrer Hörposition. Weitere Informationen finden Sie auf Seite 7.

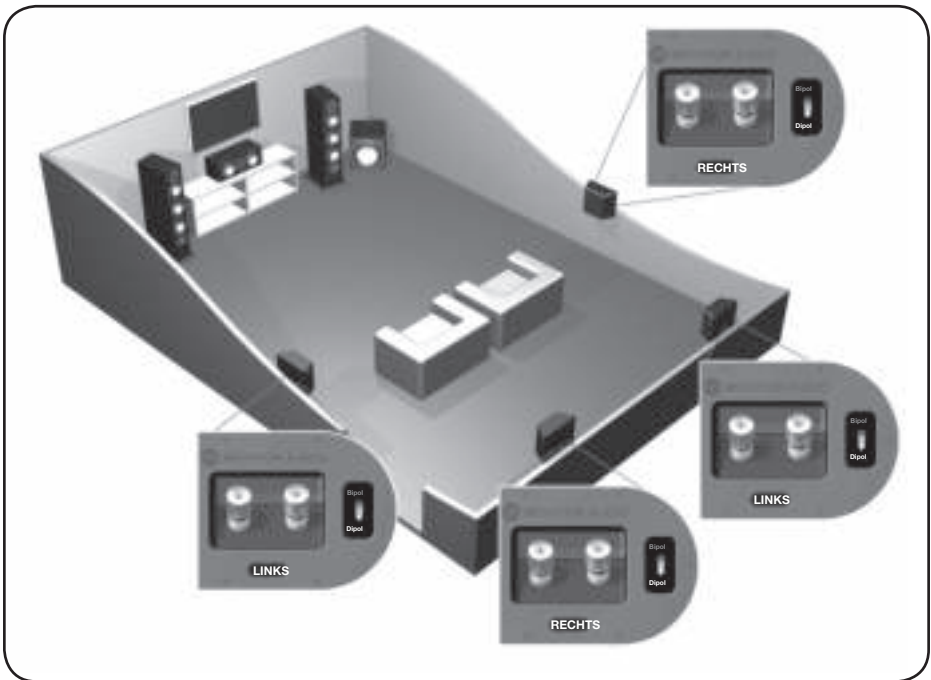
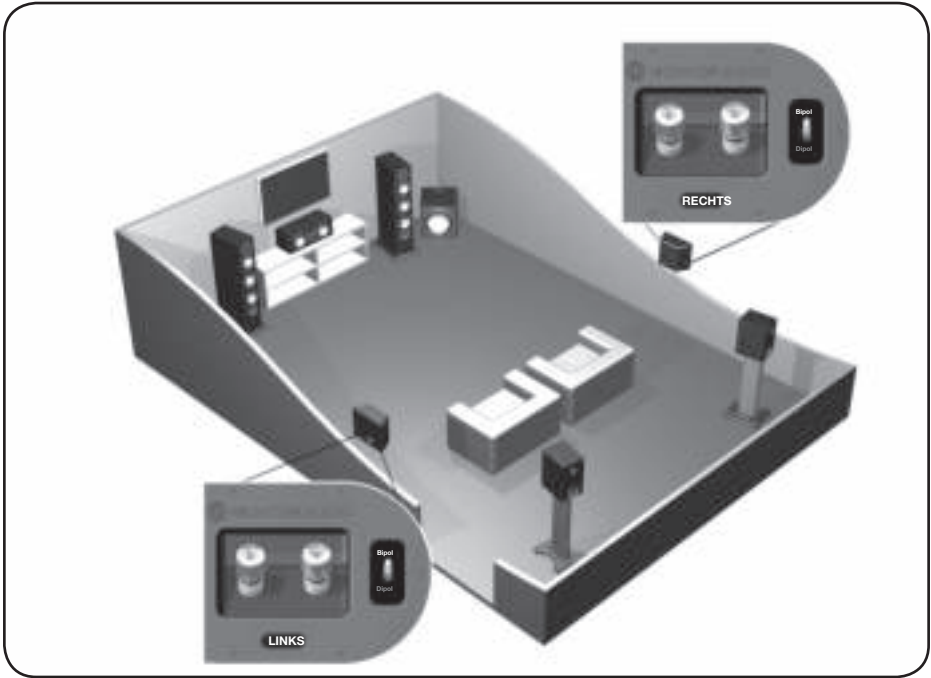
Optimale Aufstellung von AV-Lautsprechern



Silver FX – Schaltereinstellung



DEUTSCH



Zweikanal-Aufstellung

Bei einem Zweikanalsystem sollten die Hörposition und die Lautsprecher ein gleichseitiges Dreieck bilden. Stellen Sie die Lautsprecher mit einem Abstand von etwa 1,8 bis 3 m auf. Für ein optimales Klangerlebnis müssen die Lautsprecher mit einem Abstand von 20 bis 45 cm zur Rückwand und 1 m zu den Seitenwänden aufgestellt werden.

Es wird nachdrücklich empfohlen, bei der ersten Aufstellung der Lautsprecher zu experimentieren, da die Umgebung und die persönlichen Klangvorlieben bei jeder Einrichtung variieren. Wenn beispielsweise der Bass nicht stark genug ist, stellen Sie Ihre Lautsprecher etwas näher an die Wand. Wenn der Bass zu stark ist, stellen Sie die Lautsprecher etwas weiter von der Wand weg. Lesen Sie diesbezüglich auch die Informationen auf Seite 11 über die Anschlusspfropfen. Wenn das Stereo-Erlebnis verloren geht, drehen Sie die Lautsprecher etwas nach innen. Der Klang sollte vom Mittelpunkt zwischen den Lautsprechern ausgehen und nicht von den eigentlichen Lautsprechern.

Aufstellung des Silver-FX



HINWEIS: Bei der Verwendung von zwei Paaren Silver-FX-Lautsprechern in einem 7.1-System müssen Sie den rechten Lautsprecher für den L-hinten-Surround und den linken Lautsprecher für den R-hinten-Surround verwenden. Der Grund hierfür ist die Hochtöner-Phasenlage.

Die Silver-FX-Lautsprecher sind gepaart, im Einzelnen jedoch rechte und linke Einheiten. Beide können für einen bipolaren (normalen Betrieb) oder dipolaren Modus konfiguriert werden. Die Fabrikeinstellung ist bipolar.

Im bipolaren Modus sind alle Lautsprechereinheiten (Mittel-/Basseinheiten und Hochtöner) phasengleich. Diese Funktion wurde für eine Aufstellung des FX als Rück-/Surround-Lautsprecher bei einem normalen 5.1-Kanalsystem entwickelt – oder alternativ bei einem 7.1-Kanalsystem ohne ein zweites Paar FX-Lautsprecher für hinten / den Surround.

Im dipolaren Modus sind die von hinten kommenden Hochtöner im Vergleich zu den anderen Hochtönern und der Mittel-/Bass-Einheit phasenverschoben. Am besten experimentieren Sie mit dieser Konfiguration, wenn Sie zwei Paar FX-Lautsprecher in einem 7.1-Kanalsystem verwenden – stellen Sie dabei die FX-Lautsprecher an den Seitenwänden und der Rückwand auf. Beachten Sie dabei, dass die FX-Lautsprecher rechte und linke Lautsprecher sind. Im bipolaren Modus muss dies nicht beachtet werden. Es ist entscheidend, dass die Lautsprecher in einem 7.1-Kanalsystem richtig positioniert sind. Beziehen Sie sich bei der Aufstellung auf den entsprechenden Abschnitt auf Seite 4.



HINWEIS: Bevor Sie Ihre FX-Lautsprecher vom bipolaren in den dipolaren Modus schalten, sollten Sie sich vergewissern, dass die Lautsprecherkabel von den Lautsprechern getrennt wurden. Dies dient dem Schutz Ihres Verstärkers.

Wandbefestigung des Silver-FX



ACHTUNG: Sie müssen den Befestigungsort des Silver-FX und die Struktur des Mauerwerks festlegen. Wenn Sie sich über das Vorhandensein einer sicheren und zuverlässigen Befestigungsmöglichkeit an Ihrer Wand nicht sicher sind, sollten Sie aus Sicherheitsgründen die Dienstleistung eines kompetenten und fachkundigen Experten in Anspruch nehmen.



ACHTUNG: Vergewissern Sie sich, dass an den Befestigungsorten der Wandhalterungen keine Wasserrohre oder Stromkabel in der Wand verlaufen. Stellen Sie sich bei der Arbeit auf eine sichere Trittleiter und vermeiden Sie herabhängende Kabel.

Bei den FX-Lautsprechern liegen keine Befestigungsschrauben oder Stecker bei. Verwenden Sie bitte geeignete Befestigungselemente für die entsprechende Wandkonstruktion, an der Sie die FX-Lautsprecher anbringen wollen.

Für der Wandbefestigung Ihres FX-Lautsprechers empfehlen wir die Verwendung der Wandbefestigungsvorlage, die im Verpackungskarton beiliegt.

Sockelbefestigung

Nur bei Standmodellen

Die Lautsprecher Silver 6, 8 und 10 werden mit Sockeln ausgeliefert, welche die Stabilität und die akustische Resonanz verbessern. Diese Sockel werden sicher mit den mitgelieferten M10-Schrauben befestigt. Wenn es der Platz nicht zulässt, sind sie nicht unbedingt notwendig. Wenn Sie die Sockel nicht verwenden möchten, befestigen Sie die Stifffüße direkt am Gehäuse.

Vor der Anbringung der Sockel sollten Sie sich vergewissern, dass am Bodenbereich keine harten / scharfen Objekte vorhanden sind. Drehen Sie das Gehäuse zur Anbringung des Sockels um, damit die Unterseite nach oben zeigt. Platzieren Sie den Sockel am Gehäuse und prüfen Sie seine ordnungsgemäße Ausrichtung der Schraubenlöcher in Sockel mit den Einsätzen im Gehäuse. Befestigen Sie den Sockel mit den Schrauben sicher am Gehäuse. Befestigen Sie die Schrauben anfangs schrittweise und vergewissern Sie sich, dass der Sockel sicher am Gehäuse sitzt. Befestigen Sie die Füße am Sockel, ehe Sie den Lautsprecher wieder umdrehen. (Befolgen Sie dazu die Anweisung in umgekehrter Reihenfolge.) Die Stifte dienen der Verbesserung der Klangqualität und der Bassleistung.

Gitter

Jeder Lautsprecher der Silver-Serie ist mit Gittern ausgestattet, die mit einem akustisch transparenten Gewebe abgedeckt sind. Diese Gitter werden unsichtbar durch Magnete im Gittern und im Gehäuse an Ort und Stelle gehalten (außer beim FX).

Für die Anbringung sollten Sie sich zuerst vergewissern, dass sie richtig herum positioniert sind (Plakette unten). Setzen Sie sie anschließend an das Gehäuse. Die Magnete sollten in Position einrasten.

Der FX ist serienmäßig mit angebrachten Gittern ausgestattet. Wenn Sie diese Gitter entfernen möchten, ziehen Sie sie vorsichtig mit den Fingerspitzen vom Gehäuse ab. An jedem Gehäuse sind drei verschiedene Gitter angebracht.



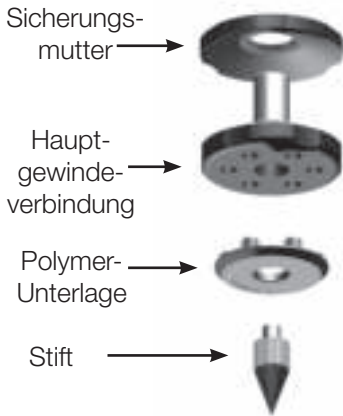
ACHTUNG: Entfernen Sie Gitter vor jedem Anheben und Umstellen.

Spitzer Fuß

Bei Teppichböden

Nur bei Standmodellen

Der spitze Fuß der Silver-Serie umfasst einen Stift für die Verwendung auf Teppichböden und zudem eine weiche Polymer-Unterlage für die Verwendung auf Holz- oder Fliesenböden.



Vergewissern Sie sich bitte, dass unter dem Teppich keine versteckten Kabel verlaufen, die durch die Stifte beschädigt werden könnten.

Der Fuß wird für die Verwendung auf Teppichböden fertig zusammengebaut ausgeliefert. Er muss nur noch am Sockel (oder dem Gehäuse, wenn Sie keinen Sockel verwenden) befestigt werden. Dazu schrauben Sie die Füße vollständig in die vier Gewindeeinsätze an der Unterseite des Sockels / Gehäuses. Wenn Ihr Teppich einen sehr dicken Flor besitzt, entfernen Sie die weiche Polymer-Unterlage vom Fuß, damit der Stift direkt durch den Teppich bis zum Boden ragt. Drehen Sie Ihr Gehäuse sehr

vorsichtig in die richtige Position. Stellen Sie das Gehäuse an den gewünschten Standort und prüfen Sie, dass alle Seiten gleichmäßig hoch sind. Wenn das Gehäuse leicht schief steht, schrauben Sie den tiefsten Stift etwas heraus und prüfen Sie das Gehäuse erneut. Wiederholen Sie diesen Schritt so lange, bis das Gehäuse nicht mehr schief steht. Verwenden Sie zur sicheren Befestigung die Sicherungsmutter am Fuß, damit keine unerwünschten Vibrationen auftreten.

Bei Holzböden / harten Bodenbelägen

Nur bei Standmodellen

Bei der Verwendung auf festen Bodenbelägen oder in Fällen, bei denen Stifte nicht zweckmäßig sind, kann der Fuß auch ohne den Stift verwendet werden. Bei einer derartigen Verwendung greifen Sie das Rändel des Stifts vorsichtig und drehen es gegen den Uhrzeigersinn. Drehen Sie den Stift vollständig heraus.

Vielleicht ist es für Sie leichter, zuerst die Polymer-Unterlage zu entfernen, um den Stift besser greifen zu können. Vor der oben beschriebenen ebenen Ausrichtung sollte die Polymer-Unterlage wieder eingesetzt werden.



DEUTSCH

Verbindung der Lautsprecherkabel

Abisolierte Leiterenden

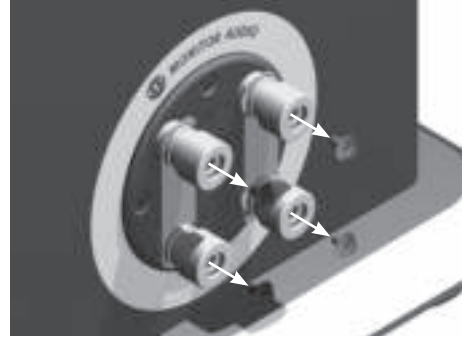
Schrauben Sie die Polklemmen auf und führen Sie die abisolierten Leiterenden durch die Durchgangsbohrung. Anschließend ziehen Sie die Polklemmen wieder fest, um die abisolierten Leiterenden festzuklemmen.



Bananenstecker

Entfernen Sie die roten und schwarzen Plastikstöpsel von den Anschlüssen und führen Sie die Bananenstecker in die freigelegten Löcher.

Möglicherweise benötigen Sie eine Messerklinge oder einen flachen Schraubendreher, um die Stöpsel zu entfernen.



Einzelader

Verbinden Sie die Bananenstecker / das abisolierte Leiterende mit den Anschlüssen. Verbinden Sie diese entweder oben, unten oder diagonal (wir empfehlen, dabei zu experimentieren, um die gewünschten Ergebnisse zu erreichen).



Entfernen Sie nicht die Klemmbrücken.



Die Klemmbrücken MÜSSEN ENTFERNT WERDEN.



Anschlusspfropfen



WARNUNG: Achten Sie darauf, die Anschlusspfropfen nicht zu weit in die Öffnung einzuführen, da der Schaumpfropfen dadurch im Gehäuse stecken bleiben könnte.

Wenn der Lautsprecher in einem kleinen Raum (etwa 9 m²) oder einem Raum mit häufig auftretender, betonter Bassresonanz aufgestellt werden soll, kann die Verwendung von Anschlusspfropfen wünschenswert sein. Dabei wird jedoch empfohlen, vor der Anbringung bei der Aufstellung der Lautsprecher im Raum zu experimentieren. Zur Optimierung der Lautsprecherleistung sollten Sie prüfen, ob der Lautsprecher nicht zu nahe an einer Wand oder in einer Zimmerecke aufgestellt ist (lesen Sie hierzu die Empfehlungen auf den Seiten 4 und 7).

Wenn die Raumästhetik, die Raumaufteilung oder die Erfahrungen beim Vorhandensein eines ausgeprägten Basses die Aufstellung der Lautsprecher vorgibt, lesen Sie bitte für den Silver 1 oder 2 bei Punkt 1 und für den Silver 6, 8 oder 10 bei Punkt 2 weiter.

1. Wenn Regal- / Standlautsprecher (Silver 1 und 2) in unmittelbarer Nähe von weniger als 20 cm zu einer Rückwand (wie bei einem Bücherregal, der Aufstellung in einem Schrank oder nahe einer Wand) aufgestellt werden müssen, empfehlen wir, Anschlusspfropfen in den Öffnungen zu verwenden. Dies verringert das Bassdröhnen und unterstützt die Lautsprecher bei diesen Umgebungsbedingungen bei der Wiedergabe ihrer Höchstleistung.
2. Wenn Bodenlautsprecher (Silver 6, 8 und 10) in unmittelbarer Nähe von weniger als 45 cm zu einer Rückwand aufgestellt werden müssen, empfehlen wir die Verwendung von Anschlusspfropfen. Dies verringert das Bassdröhnen und unterstützt die Lautsprecher bei diesen Umgebungsbedingungen bei der Wiedergabe ihrer Höchstleistung.

Was ist Bassdröhnen?

Das Bassdröhnen (es wird manchmal auch als Überhang bezeichnet) wird normalerweise verursacht, wenn die Bassleistung der Lautsprecher die Raummodi anregt und bei einer bestimmten Frequenz oder bei mehreren Frequenzen eine Bassanhebung verursacht.

Bei der Verwendung von Anschlusspfropfen wird nicht die Gesamt-Basserweiterung verringert, sondern die Bassenergie / Bassleistung der Öffnungsfrequenzabstimmung. Dadurch verringert sich das Bassdröhnen und gleichzeitig erhöht sich die Klarheit des Basses und die offensichtliche Lebendigkeit.

Es wird nachdrücklich empfohlen, dabei zu experimentieren.

Einfahren

Die Lautsprecher müssen erst „eingefahren“ werden, ehe sie ihre maximale Leistung erreichen. Der Vorgang des Einfahrens bei der Silver-Serie erfordert etwa eine Wiedergabedauer von 60 bis 70 Stunden. Bei diesem Einfahrvorgang sollten sie Lautsprecher nicht zu hoch aufgedreht werden, da sie sonst beschädigt werden könnten. In dieser Zeit werden Sie bemerken, dass sich der Klang öffnet, deutlicher, knackiger und viel gerichteter wird.

MODELL	Silver 1	Silver 2	Silver 6	Silver 8	Silver 10	Silver-Center	Silver-FX
Systemformat	Zweibeige	Zweibeige	Zweierhalbbeige	Dröbeige	Dröbeige	Zweibeige (M-T-M)	Zweibeige
Frequenzbereich	45 Hz - 35 kHz	40 Hz - 35 kHz	35 Hz - 35 kHz	32 Hz - 35 kHz	30 Hz - 35 kHz	45 Hz - 35 kHz	60 Hz - 35 kHz
Empfindlichkeit (1 W bei 1 M)	87 dB	88 dB	90 dB	90 dB	90 dB	90 dB	87 dB
Nennimpedanz	8 Ohm	8 Ohm	8 Ohm	4 Ohm	4 Ohm	8 Ohm	8 Ohm
Maximaler Schalldruckpegel	110,8 dBA (Paar)	112,6 dBA (Paar)	115,5 dBA (Paar)	116,8 dBA (Paar)	117,3 dBA (Paar)	112,5 dBA	110,1 dBA (Paar)
Leistungsfähigkeit (Effektivspannung) Watt	100 W	120 W	150 W	200 W	250 W	150 W	88 W
Empfohlene Verstärkeranforderungen (Effektivspannung)	40 – 100 W	40 – 120 W	60 – 150 W	80 – 200 W	80 – 200 W	60 - 150 W	40 - 85 W
Bassanpassung	Bassreflex HöH-Anschlusssystem	Bassreflex HöH-Anschlusssystem	Zweikammer-Bassreflex mit Differenzabstimmung, Doppel-HöH-Anschlusssystem	Bassreflex Doppel-HöH-Anschlusssystem	Bassreflex Doppel-HöH-Anschlusssystem	Versiegeltes Gehäuse	Versiegeltes Gehäuse
Übergangsfrequenz	3,0 kHz	2,0 kHz	L.F. 700 Hz M.F./H.F. 2,7 kHz	L.F./M.F. 500 Hz M.F./H.F. 2,7 kHz	L.F./M.F. 500 Hz M.F./H.F. 2,7 kHz	2,6 kHz	2,2 kHz
Ergänzung der Antriebseinheit	1 x 6" RST® Tief-/Mittelbasser Hochtöner	1 x 8" RST/Tief-/Mittelbasser 1 x 1" (25 mm) Gold-C-CAM- Hochtöner	1 x 6" RST/Tieftöner 1 x 6" RST Tief-/Mittelbasser 1 x 1" (25 mm) Gold-C-CAM- Hochtöner	2 x 6" RST/Tieftöner 1 x 4" RST Mittelbasser 1 x 1" (25 mm) Gold- C-CAM-Hochtöner	2 x 8" RST/Tieftöner 1 x 4" RST Mittelbasser 1 x 1" (25 mm) Gold-C-CAM- Hochtöner	2 x 6" RST/Tief-/Mittelbasser 1 x 1" (25 mm) Gold-C-CAM- Hochtöner	1 x 6" RST Tief-/Mittelbasser 1 x 1" (25 mm) Gold-C-CAM- Hochtöner
Gehäuseabmessungen (ausgenommen Gitter, Anschlüsse und Sockel) (H x B x T)	312 x 185 x 240 mm 12 ^{5/16} x 7 ^{5/16} x 9 ^{7/16} Inch	375 x 230 x 300 mm 14 ^{3/8} x 9 ^{1/16} x 11 ^{1/16} Inch	885 x 185 x 240 mm 34 ^{13/16} x 7 ^{5/16} x 9 ^{7/16} Inch	1.000 x 185 x 300 mm 39 ^{3/8} x 7 ^{5/16} x 11 ^{1/16} Inch	1.050 x 230 x 300 mm 41 ^{5/16} x 9 ^{1/16} x 11 ^{1/16} Inch	185 x 500 x 200 mm 7 ^{5/16} x 19 ^{11/16} x 7 ^{7/8} Inch	250 x 311 x 130 mm 9 ^{7/16} x 12 ^{1/4} x 5 ^{1/8} Inch
Gehäuseabmessungen (einschließlich Anschlüsse) (H x B x T)	312 x 185 x 283 mm 12 ^{5/16} x 7 ^{5/16} x 10 ^{3/8} Inch	375 x 230 x 323 mm 14 ^{3/8} x 9 ^{1/16} x 12 ^{1/16} Inch	885 x 185 x 283 mm 34 ^{13/16} x 7 ^{5/16} x 10 ^{3/8} Inch	1.000 x 185 x 323 mm 39 ^{3/8} x 7 ^{5/16} x 12 ^{1/16} Inch	1.050 x 230 x 323 mm 41 ^{5/16} x 9 ^{1/16} x 12 ^{1/16} Inch	185 x 500 x 223 mm 7 ^{5/16} x 19 ^{11/16} x 8 ^{3/4} Inch	250 x 311 x 130 mm 9 ^{7/16} x 12 ^{1/4} x 5 ^{1/8} Inch
Gehäuseabmessungen (einschließlich Gitter und Anschlüsse) (H x B x T)	312 x 185 x 275 mm 12 ^{5/16} x 7 ^{5/16} x 10 ^{13/16} Inch	375 x 230 x 335 mm 14 ^{3/8} x 9 ^{1/16} x 13 ^{3/16} Inch	885 x 185 x 275 mm 34 ^{13/16} x 7 ^{5/16} x 10 ^{13/16} Inch	1.000 x 185 x 335 mm 39 ^{3/8} x 7 ^{5/16} x 13 ^{3/16} Inch	1.050 x 230 x 335 mm 41 ^{5/16} x 9 ^{1/16} x 13 ^{3/16} Inch	185 x 500 x 235 mm 7 ^{5/16} x 19 ^{11/16} x 9 ^{1/4} Inch	250 x 311 x 143 mm 9 ^{7/16} x 12 ^{1/4} x 5 ^{5/8} Inch
Gehäuseabmessungen (einschließlich Sockel und Füße) (H x B x T)	N/A	N/A	936 x 245 x 300 mm 36 ^{7/8} x 9 ^{5/8} x 11 ^{1/16} Inch	1.021 x 245 x 360 mm 40 ^{3/16} x 9 ^{5/8} x 14 ^{3/16} Inch	1.071 x 290 x 360 mm 42 ^{5/16} x 11 ^{7/16} x 14 ^{3/16} Inch	N/A	N/A
Gewicht (pro Gerät)	6,95kg (15lb 4oz)	9,7kg (21lb 6oz)	16,5kg (40lb 8oz)	23,53kg (51lb 6oz)	26,03kg (57lb 4oz)	9,6kg (21lb 2oz)	5,1kg (11lb 4oz)



Monitor Audio Ltd.
24 Brook Road
Rayleigh, Essex
SS6 7XJ
England
Tel.: +44 (0)1268 740580
Fax: +44 (0)1268 740589
E-Mail: info@monitoraudio.co.uk

monitoraudio.com

Geplant und entwickelt im Vereinigten Königreich,
hergestellt in China

Silver **series**

Manual del usuario

Índice	57
Introducción	58
Silver 1	59
Silver 2	59
Silver 6	59
Silver 8	59
Silver 10	59
Silver Centre	59
Silver FX	59
Colocación	60
Posicionamiento audiovisual	60
Posicionamiento óptimo para altavoces audiovisuales	60
Configuración de conmutadores de Silver FX	61
Posicionamiento para 2 canales	63
Colocación de Silver FX	63
Fijación de Silver FX a una pared	64
Fijación de pedestal	64
Rejillas	64
Pie con punta	65
Para suelos enmoquetados	65
Para suelos duros/de madera	65
Conexión de los cables de los altavoces	66
Conexión de hilos desnudos	66
Cableado sencillo	66
Clavijas de punta cónica	66
Bicableado/biamplicación	66
Tapones de puertos	67
Rodaje	67
Especificaciones	68

Introducción

Visto el extraordinario éxito de su prototipo, el RX, la reciente serie Silver Series anticipa el desarrollo de los altavoces de gama media con nuevos modelos y tecnologías. Se han perfeccionado las funciones que ya introducían los prestigiosos altavoces de la serie Platinum y Gold, y se han incorporado a la serie Silver las últimas innovaciones en ingeniería de altavoces. Mientras que Silver 1, 2, 6, Silver Centre y Silver FX conservan el factor formal de sus predecesores, Silver 8 presenta un diseño de tres vías, y la nueva incorporación a la familia, Silver 10, ofrece un formato vertical escalonado con dos unidades de graves de 8" para lograr una respuesta más profunda, dinámica y consistente en habitaciones grandes.

Nuevas unidades de graves y gamas medias

A diferencia de los conos convencionales, que incluyen una abertura central para la bobina móvil, los conos abollonados C-CAM® con tecnología RST® (Rigid Surface Technology) de la serie Silver presentan la forma de un plato radiante ininterrumpido que, de por sí, tiene mayor fuerza y superficie. La bobina móvil va acoplada debajo de un motor más grande, formando un conjunto de altavoz más eficaz e innovador.

Además, los modelos Silver 8 y 10 cuentan con una unidad de gamas medias de 4" de reciente desarrollo que funcionan en su propia caja optimizada y amortiguada para proporcionar unas frecuencias medias de gran precisión. Tiene una bobina móvil corta que "cuelga" por debajo del entrehierro magnético para garantizar que permanezca en todo momento dentro de este, lo que reduce considerablemente la modulación y hace que la distorsión sea muy baja.

Nueva unidad de agudos

Se ha eliminado la distorsión debida a la compresión del aire en la parte trasera de la cúpula de la unidad de agudos gracias al nuevo diseño de la unidad de agudos C-CAM de 25 mm de Silver, que da a una amplia cámara de carga trasera que produce una resonancia mucho menor y una mejor amortiguación en general. La respuesta de frecuencia de la nueva unidad de agudos es más precisa a frecuencias más bajas para que la transferencia con la unidad de graves/gamas medias resulte más natural y uniforme. Al tiempo que se ha mejorado la extensión de las altas frecuencias, se ha reducido la ruptura mediante mejoras en la geometría del cono y el mecanismo del altavoz.

Otras características del diseño

A fin de reducir la coloración de la caja acústica, la nueva serie Silver sigue fijando las unidades con un solo perno, como ya se hacía en RX. Cada perno actúa como anclaje rígido, pero también elimina la necesidad de fijaciones convencionales, logrando separar la unidad y el baffle frontal y suprimir así otra fuente de resonancia.



NOTA: Si este perno acabara aflojándose con el tiempo, o si lo ha hecho durante el transporte, utilice la llave hexagonal suministrada para volver a apretarlo. Solo tiene que apretarse un cuarto de vuelta una vez que el perno comience a ofrecer resistencia.

La tecnología de puertos HiVe de Monitor Audio, evolucionada a partir de la serie Platinum, se emplea en todos los modelos de subwoofer salvo Centre, FX y W12. HiVe usa un diseño estriado recto para acelerar el flujo de aire y reducir las turbulencias con la finalidad de conseguir unos graves más potentes y nítidos y una respuesta transitoria superior. En los filtros de cruce se han empleado condensadores con película de polipropileno e inductores de núcleo de acero laminado y núcleo de aire para que la integridad de la señal sea siempre la mejor posible. Todos los modelos de la nueva serie Silver ofrecen mayor sensibilidad, menos distorsión y mayor impedancia que sus predecesores, lo cual aumenta las posibilidades de conexión con otros equipos.

Silver 1

El nuevo y compacto Silver 1 cuenta con una unidad de graves/gamas medias C-CAM® de 6" con tecnología RST de cono abollonado en una configuración clásica de control de dos vías. Por su gran potencia y rendimiento dinámico, Silver 1 es la elección ideal para habitaciones de tamaño pequeño-mediano con sistemas de cine estéreo de dos canales o multicanal.

Silver 2

Silver 2 cuenta con una potente unidad C-CAM de graves/gamas medias de 8" con tecnología RST presentada en un compacto diseño de montaje vertical de dos vías. Su tamaño y rendimiento superior general proporcionan un espacio dinámico excelente con los graves potenciados que suelen asociarse a los modelos de pie. Por su resolución excepcional, combinada con una gran potencia y un rendimiento dinámico notable, Silver 2 resulta idóneo para habitaciones de tamaño medio-grande con sistemas de cine estéreo de dos canales o multicanal.

Silver 6

Silver 6 usa una configuración de 2,5 vías para sacar partido a una unidad de graves C-CAM de 6" y otra unidad de graves/gamas medias C-CAM de 6", ambas con tecnología RST. Las unidades van dentro de cámaras acústicas separadas dentro del diseño de caja para ofrecer una sintonización diferencial que mejora el rendimiento y reduce aún más la extensión de las frecuencias bajas. Por su excelente dinámica, combinada con un carácter de sonido rítmico natural y unos graves rigurosos y controlados, Silver 6 destaca al transmitir música y audio cinematográfico.

Silver 8

Silver 8 presenta un nuevo diseño de tres vías con la unidad de gamas medias C-CAM de 4" y tecnología RST flanqueada por unidades de graves C-CAM de 6" de largo alcance con RST. Desarrollada para Silver, esta configuración especial está optimizada para lograr una mayor precisión en una banda de frecuencias crítica para producir un magnífico enfoque de gamas medias y graves potenciados. La caja acústica, más alta y menos profunda, y la amortiguación mejorada permiten una mayor flexibilidad a la hora de ubicar los altavoces, al tiempo que su mayor sensibilidad e impedancia facilitan que Silver 8 llene la habitación con su dinámica, aunque se trate de espacios más amplios.

Silver 10

Silver 10 es un modelo totalmente nuevo, que presenta una configuración de tres vías en un sistema de torre de suelo de gran tamaño. En el caso de Silver 10, la unidad de gamas medias C-CAM de 4" con tecnología RST está flanqueada por unidades de graves C-CAM de 8" de largo alcance con RST. El diseño acústico es similar al del Silver 8, pero el tamaño mejorado de la unidad permite al Silver 10 cubrir la mayor de las habitaciones con un audio de banda ancha ostensible pero natural.

Silver Centre

Silver Centre es compacto y dispone de unidades C-CAM de graves/gamas medias de 6" con tecnología RST en una disposición familiar: gamas medias-agudos-gamas medias. Silver Centre ha sido puesto a punto para emular el carácter tonal de sus compañeros de serie y para que el escenario de sonido no presente una sola fisura en aplicaciones multicanal.

Silver FX

El diseño del baffle, discretamente perfilado y angulado, del nuevo altavoz surround Silver FX incluye una unidad de graves/gamas medias C-CAM de 6" con tecnología RST en la parte frontal y dos unidades de agudos C-CAM en los laterales. Puede empotrarse en paredes laterales o traseras y sus características de dispersión cambian con tan solo accionar un conmutador que permite elegir entre funcionamiento dipolar o bipolar.

Colocación

Posicionamiento audiovisual

En las páginas siguientes se incluyen ilustraciones que muestran la posición óptima y sugieren cómo colocar las aplicaciones audiovisuales. Encontrará consejos para configurar un sistema de 2 canales en la página 7.

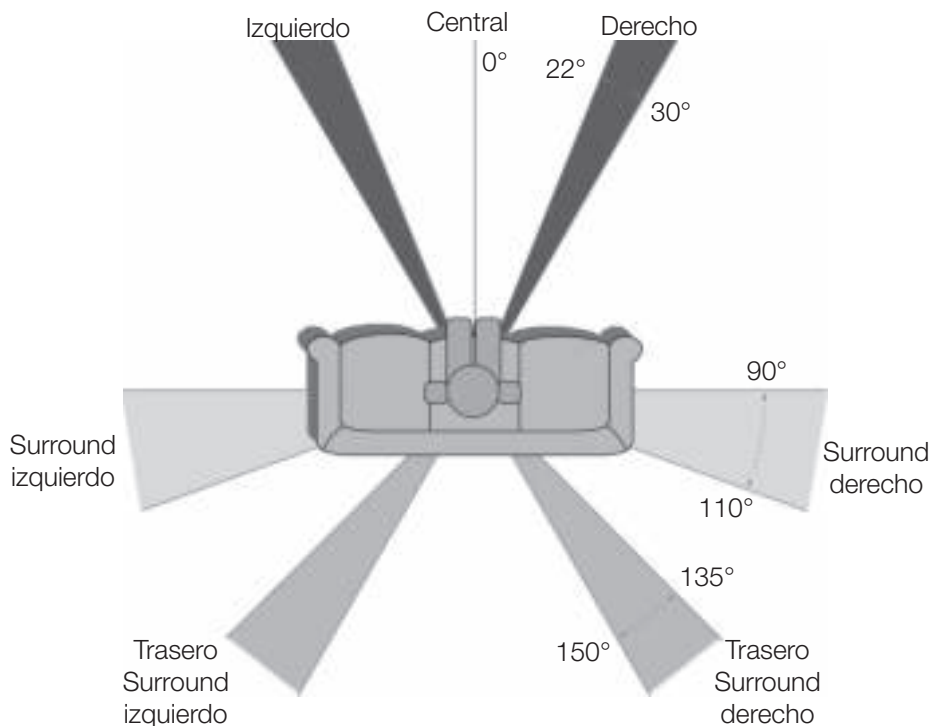
Los altavoces delanteros, y en algunos casos traseros, que van de pie en el suelo y sobre soportes deberían colocarse con una separación aproximada de 1,8 m - 2,5 m y estar a unos 25 cm de la pared.

Si al reproducir música, los graves suenan demasiado altos o retumban en la habitación, aléjelos de las paredes laterales/traseras. Si no es posible, pruebe con los tapones de puertos suministrados (no incluidos con Silver FX ni Silver Centre). Véase la página 11.

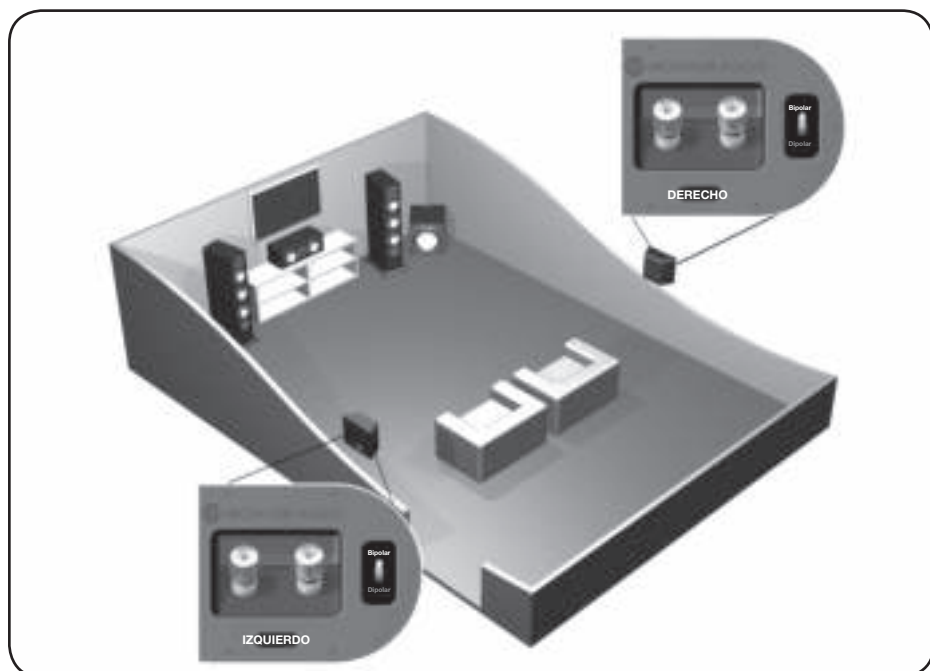
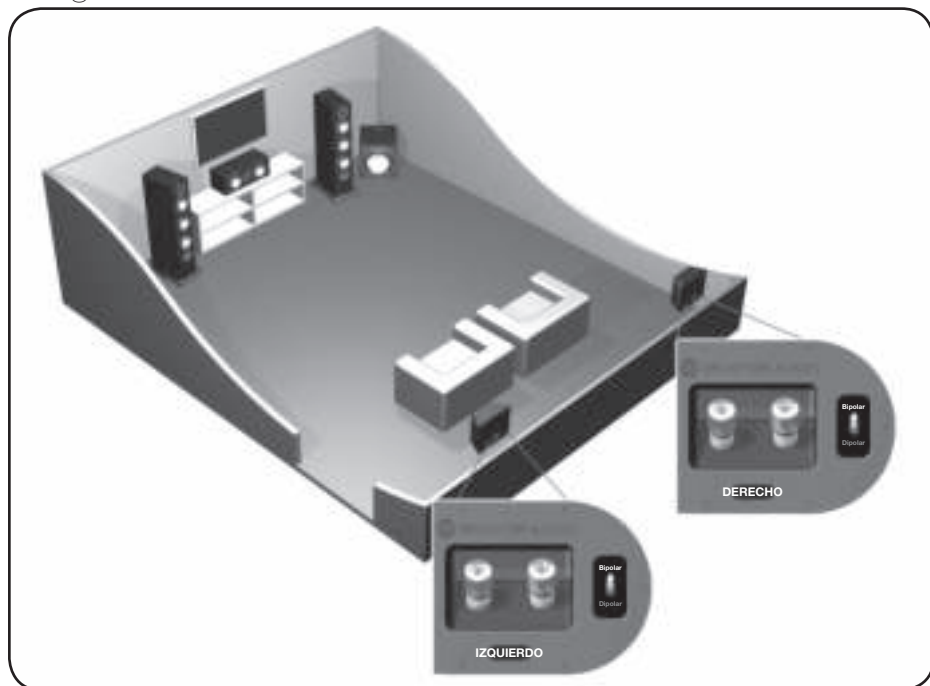
Silver Centre debería colocarse apuntando a la posición habitual del espectador, a una altura cercana a la del oído. Si está más bajo o alto, use algún pie de goma (se suministran pies pequeños) para angularlo ligeramente.

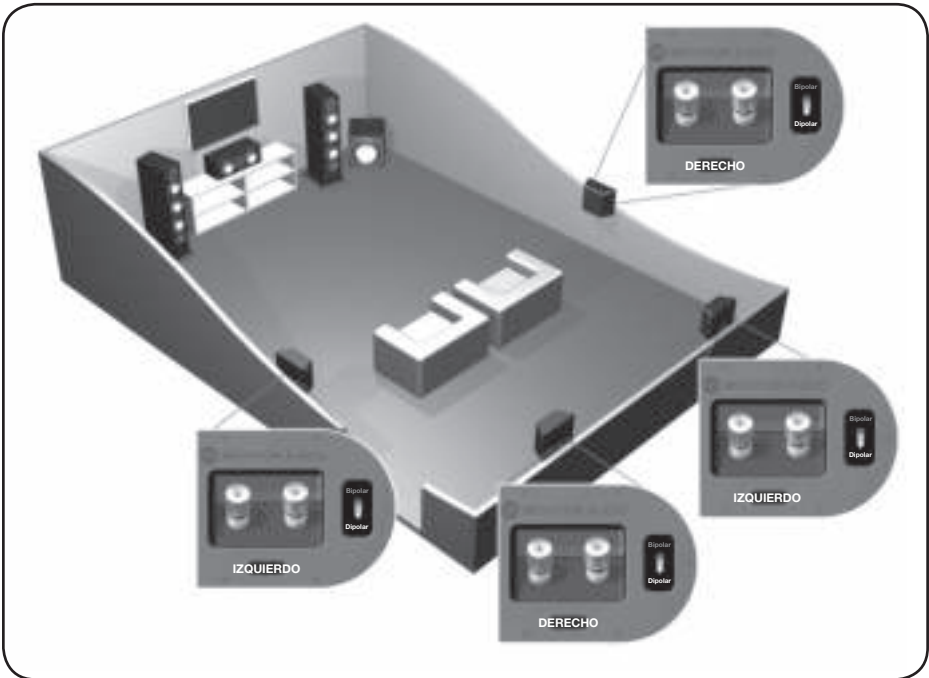
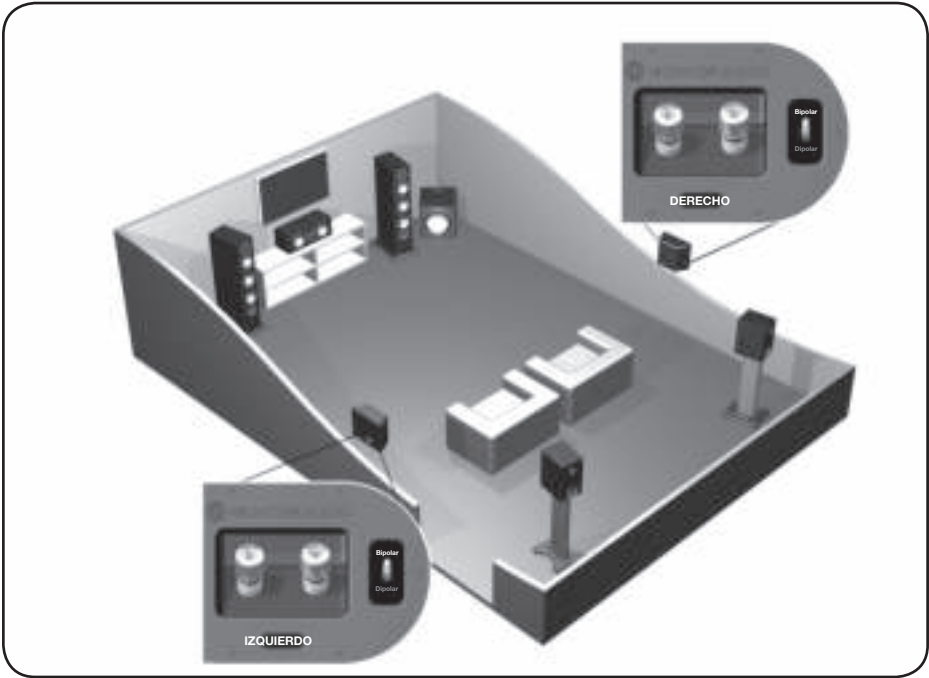
FX debería colocarse según las ilustraciones mostradas y aprox. a 60 cm por encima de la altura del oído en posición de escucha. Si desea obtener más información, consulte la página 7.

Posicionamiento óptimo para altavoces audiovisuales



Configuración de conmutadores de Silver FX





Posicionamiento para 2 canales

Si se va a usar en un sistema de 2 canales, la posición de escucha y los altavoces deberían formar un triángulo equilátero. Los altavoces deben colocarse con una separación aproximada de 1,8 - 3 m. Lo ideal es que estén a 20 - 45 cm de la pared trasera y a 1 m de las laterales.

Se recomienda encarecidamente experimentar al colocar unos altavoces por primera vez, ya que cada entorno y las preferencias del usuario difieren de una instalación a otra. Si, por ejemplo, los graves se oyen poco, pruebe a acercar los altavoces a la pared. Haga lo contrario si los graves se oyen demasiado fuertes. Consulte también la información de la página 11 relativa a los tapones de puertos. Si pierde la imagen estéreo, pruebe a darle unos leves "toquecitos". El sonido debería parecer que se origina en un punto central entre los altavoces, no en los propios altavoces.

Colocación de Silver FX



NOTA: Si se usan dos altavoces Silver FX en un sistema 7.1, tendrá que utilizar el altavoz derecho para el sonido surround trasero izquierdo y el altavoz izquierdo para el sonido surround trasero derecho. Ello se debe al ajuste de fase de las unidades de agudos.

Los altavoces Silver FX están vinculados, concretamente a las unidades derecha e izquierda. Ambas pueden configurarse en modo bipolar (funcionamiento normal) o dipolar. El ajuste de fábrica es el bipolar.

En modo bipolar, todas las unidades del altavoz (de gamas medias/graves y agudos) están en fase. Esta función está diseñada para cuando se coloca el FX como altavoz trasero/surround en un sistema de 5.1 canales típico, o alternativamente, en un sistema de 7.1 canales sin un segundo par de FX como altavoz trasero/surround.

En modo dipolar, las unidades de agudos orientadas hacia atrás están desfasadas respecto a las demás unidades de gamas medias/graves y agudos. Es mejor usar esta configuración cuando se usan los dos pares de FX como parte de un sistema de 7.1 canales, con los altavoces FX ocupando posiciones en las paredes laterales y trasera. Tenga en cuenta que los FX son para la izquierda y la derecha, aunque eso no importa si se usan en modo bipolar. Es esencial que se coloquen correctamente si se emplean en un sistema de 7.1 canales. Véase el apartado de posicionamiento de la página 4.



NOTA: Antes de cambiar sus altavoces FX de modo bipolar a dipolar, asegúrese de que los cables del altavoz estén desconectados de los altavoces. Eso ayuda a proteger el amplificador.

Fijación de Silver FX a una pared



PRECAUCIÓN: Tendrá que determinar dónde irán fijados los Silver FX y cuál es la estructura de la pared. Por razones de seguridad, si no está seguro de poder proporcionarles una sujeción segura, no intente fijar los altavoces a la pared; contrate los servicios de un profesional competente y cualificado.



PRECAUCIÓN: Asegúrese de que no pasen tuberías de agua ni cables de electricidad por donde se vayan a poner los soportes de pared. Realice el procedimiento con seguridad y no deje cables sueltos.

Con el altavoz Silver FX no se suministran tornillos de fijación a la pared ni enchufes. Use fijaciones adecuadas para el tipo de pared donde se colocarán los FX.

Para fijar los FX a la pared, recomendamos el uso de la plantilla de fijación incluida dentro de la caja de cartón del embalaje.

Fijación de pedestal

Modelos de suelo solamente

Los modelos Silver 6, 8 y 10 llevan pedestales para mejorar la estabilidad y respuesta acústica. Los pedestales van sujetos en su sitio mediante los pernos M10 suministrados. No son esenciales si se cuenta con poco espacio. Si opta por no usar pedestales, acople los pies con punta directamente a la caja.

Antes de colocar el pedestal, asegúrese de que la superficie del suelo esté despejada de objetos duros/afilados. Para acoplar el pedestal, ponga la caja boca abajo. Coloque el pedestal en la caja acústica asegurándose de que quede bien orientado, alineando los orificios de los pernos con las piezas de inserción de la caja. Use los pernos para sujetar el pedestal a la caja acústica. Apriételes poco a poco al principio y asegúrese de que el pedestal quede bien fijado a la caja acústica. Acople los pies al pedestal antes de darle la vuelta al altavoz. (Lea las instrucciones contiguas). Las puntas sirven para mejorar la calidad del sonido y el rendimiento de los graves.

Rejillas

Todos los altavoces de la serie Silver llevan rejillas cubiertas con una tela acústicamente transparente. Las rejillas se sujetan en su sitio de manera invisible mediante imanes en la propia rejilla y en la caja acústica (salvo el FX).

Para colocarlas, primero asegúrese de identificar correctamente la parte superior y la inferior (donde va el emblema) y alinéela con la caja acústica. Los imanes deberían atraerse y colocarla en posición.

FX viene con las rejillas montadas de fábrica. Si quiere quitarlas, apártelas con cuidado de la caja acústica con la punta de los dedos. En cada caja acústica van montadas tres rejillas separadas.



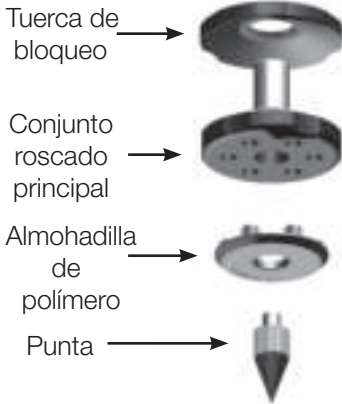
PRECAUCIÓN: Quite siempre las rejillas antes de levantar o mover los altavoces.

Pie con punta

Para suelos enmoquetados

Modelos de suelo solamente

El pie con punta de la serie Silver tiene una especie de pico que se clava en los suelos con moqueta y también una almohadilla blanda de polímero para suelos de madera o de baldosas.



Asegúrese de que por debajo de la moqueta no pasen cables que las puntas pudieran dañar.

El pie siempre viene totalmente preparado para usarse en suelos enmoquetados. Lo único que hace falta es fijarlo al pedestal (o caja acústica si opta por no usar este). Para ello, enrosque los pies completamente en las 4 piezas de inserción roscadas de la parte inferior del pedestal/caja acústica. Si la moqueta es muy gruesa, quite la almohadilla blanda de polímero del pie para asegurarse de que la punta la atraviese y se clave en el suelo. Con mucho cuidado, ponga la caja acústica boca arriba.

Coloque la caja acústica en la posición deseada y compruebe que no cojee. Si lo está, desenrosque la punta de la parte más baja y compruebe de nuevo. Repita este proceso hasta que la caja acústica esté nivelada. Use la tuerca de bloqueo del pie para sujetarlo en su sitio y para evitar que se produzcan vibraciones no deseadas.

Para suelos duros/de madera

Modelos de suelo solamente

El pie se puede usar sin puntas en suelos duros o en aquellos para los que estas no sean apropiadas. Para ello, agarre con cuidado la parte estriada de la punta y gírela en sentido contrario a las agujas del reloj hasta desenroscar la punta por completo.

Tal vez le resulte más fácil si quita primero la almohadilla de polímero para poder coger mejor la punta. La almohadilla se debe poner otra vez en su sitio antes de nivelar la caja acústica como se describió anteriormente.



Conexión de los cables de los altavoces

Conexión de hilos desnudos

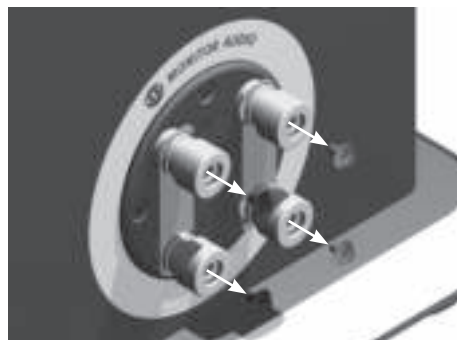
Desenrosque los bornes de conexión, meta el hilo desnudo por el orificio pasante y apriete el borne para sujetar el hilo en su sitio.



Clavijas de punta cónica

Quite los tapones de plástico rojos y negros de los terminales e introduzca las clavijas de punta cónica (también llamadas tipo banana) en los orificios expuestos.

Tal vez necesite un destornillador de punta plana o un cuchillo para acceder a las clavijas.



Cableado sencillo

Conecte las clavijas de punta cónica/hilo desnudo a los terminales. Conecte al terminal superior, al inferior o diagonalmente (se aconseja experimentar para lograr los resultados deseados).



Deje las uniones de los terminales en su sitio.



DEBEN quitarse las uniones de los terminales.





ADVERTENCIA: Hay que tener cuidado de no meter los tapones demasiado en los puertos, ya que entonces el tapón de espuma podría perderse dentro de la caja acústica.

Si el altavoz se va a instalar en una habitación pequeña, normalmente de 9 m², o en una habitación donde se sepa que se produce una respuesta de los graves acentuada, sería deseable poner los tapones. No obstante, antes se recomienda experimentar y probar a colocar el altavoz en distintas posiciones. Para que el rendimiento de los altavoces sea óptimo, asegúrese de que no estén demasiado cerca de una pared o de las esquinas de una habitación (véanse las sugerencias de las páginas 4 y 7).

Si la posición de los altavoces responde a razones estéticas o viene predeterminada por la disposición de la habitación, o si experimenta graves acentuados, lea a continuación el punto 1 de los altavoces Silver 1 y 2 y el punto 2 de los Silver 6, 8 y 10.

1. Recomendamos poner los tapones en los puertos cuando los altavoces de estantería/soporte de pie (Silver 1 y 2) vayan a estar a menos de 20 cm de una pared trasera (como en una estantería, en un mueble o en un soporte de pie cerca de una pared). Así se reducirá el "retumbo" de los graves y los altavoces rendirán mejor en estas condiciones.
2. Recomendamos poner los tapones en los puertos cuando los altavoces de pie (Silver 6, 8 y 10) vayan a estar a menos de 45 cm de una pared trasera. Así se reducirá el "retumbo" de los graves y los altavoces rendirán mejor en estas condiciones.

¿Qué significa que los graves retumben?

El "retumbo" de los graves (a veces llamado realce) se produce generalmente cuando la energía de los graves del altavoz "excita" los modos de la habitación y causa una acentuación a una frecuencia o número de frecuencias concretas.

Al poner tapones en los puertos, la extensión general de los graves no se reduce, pero sí la salida/energía de los graves en torno a la frecuencia de sintonía del puerto. Esto hace que los graves retumben menos al tiempo que resultan más claros y parecen más ágiles.

Se recomienda encarecidamente experimentar.

Rodaje

Los altavoces necesitarán un periodo de "rodaje" antes de alcanzar su rendimiento óptimo. El proceso de rodaje de la serie Silver dura más o menos 60 - 70 horas de reproducción. Durante el mismo, se recomienda no poner los altavoces a gran volumen porque podrían dañarse. Durante este tiempo, notará que el sonido se abre y cada vez es más nítido, ajustado y mucho más controlado.

MODELO	Silver 1	Silver 2	Silver 6	Silver 8	Silver 10	Silver Centre	Silver FX
Configuración del sistema	2 vías	2 vías	2 ½ vías	3 vías	3 vías	2 vías (M - T - M)	2 vías
Respuesta de frecuencia	45 Hz - 35 KHz	40 Hz - 35 KHz	36 Hz - 35 KHz	32 Hz - 35 KHz	30 Hz - 35 KHz	45 Hz - 35 KHz	60 Hz - 35 KHz
Sensibilidad (1 W a1 M)	87 dB	88 dB	90 dB	90 dB	90 dB	90 dB	87 dB
Impedancia nominal	8 ohmios	8 ohmios	8 ohmios	4 ohmios	4 ohmios	8 ohmios	8 ohmios
Nivel de presión sonora máx.	110,8 dBA (par)	112,6 dBA (par)	115,5 dBA (par)	116,8 dBA (par)	117,8 dBA (par)	112,5 dBA	110,1 dBA (par)
Potencia (RMS) en vatios	100 W	120 W	150 W	200 W	250 W	150 W	86 W
Requisitos de amplificador recomendados (RMS)	40 – 100 W	40 – 120 W	60 – 150 W	80 – 200 W	80 – 200 W	80 – 200 W	40-85 W
Alimentación de graves	Bass Reflex. Sistema de puentes HiVe®	Bass Reflex. Sistema de puentes HiVe	Bass Reflex de cámara doble con sintonización diferencial. Sistema de puentes HiVe doble	Bass Reflex. Sistema de puentes HiVe doble	Bass Reflex. Sistema de puentes HiVe doble	Caja acústica hermética	Caja acústica hermética
Frecuencia de cruce	3,0 KHz	2,0 KHz	F. bajas: 700 Hz F. medias/altas: 2,7 KHz	F. bajas/medias: 500 Hz F. medias/altas: 2,7 KHz	F. bajas/medias: 550 Hz F. medias/altas: 2,7 KHz	2,6 KHz	2,2 KHz
Complementos del altavoz	1 unidad de ganas/medias/graves con RST™ de 6" de 6" 1 unidad de agudos C-CAM® de cúpula dorada de 25 mm	1 unidad de graves/ganas/medias de 8" con HST 1 unidad de agudos C-CAM de cúpula dorada de 25 mm	1 unidad de graves de 6" con HST 1 unidad de ganas/medias/graves de 6" con HST 1 unidad de agudos C-CAM de cúpula dorada de 25 mm	2 unidades de graves de 6" con HST 1 unidad de ganas/medias de 6" con HST 1 unidad de agudos C-CAM de cúpula dorada de 25 mm	2 unidades de graves de 8" con HST 1 unidad de ganas/medias de 8" con HST 1 unidad de agudos C-CAM de cúpula dorada de 25 mm	2 unidades de graves/medias de 6" con RST 1 unidad de agudos C-CAM de cúpula dorada de 25 mm	1 unidad de ganas/medias/graves de 6" con RST 1 unidad de agudos C-CAM de cúpula dorada de 25 mm
Dimensiones de caja acústica (sin incluir rejilla, terminales ni pedestal) (Al x An x P)	312 x 185 x 240 mm 12 5/16" x 7 5/16" x 9 7/16" pulg.	375 x 230 x 300 mm 14 3/4" x 9 1/16" x 11 13/16" pulg.	885 x 188 x 240 mm 34 13/16" x 7 5/16" x 9 7/16" pulg.	1000 x 185 x 300 mm 39 3/8" x 7 5/16" x 11 13/16" pulg.	1050 x 230 x 300 mm 41 5/16" x 9 1/16" x 11 13/16" pulg.	185 x 500 x 200 mm 7 5/16" x 19 11/16" x 7 7/8" pulg.	250 x 311 x 130 mm 9 13/16" x 12 1/4" x 5 1/8" pulg.
Dimensiones externas (Incluyendo terminales) (Al x An x P)	312 x 185 x 263 mm 12 5/16" x 7 5/16" x 10 3/8" pulg.	375 x 230 x 323 mm 14 3/4" x 9 1/16" x 12 11/16" pulg.	885 x 188 x 263 mm 34 13/16" x 7 5/16" x 10 3/8" pulg.	1000 x 185 x 323 mm 39 3/8" x 7 5/16" x 12 11/16" pulg.	1050 x 230 x 323 mm 41 5/16" x 9 1/16" x 12 11/16" pulg.	185 x 500 x 223 mm 7 5/16" x 19 11/16" x 8 3/4" pulg.	250 x 311 x 130 mm 9 13/16" x 12 1/4" x 5 1/8" pulg.
Dimensiones externas (Incluyendo rejillas y terminales) (Al x An x P)	312 x 185 x 275 mm 12 5/16" x 7 5/16" x 10 13/16" pulg.	375 x 230 x 335 mm 14 3/4" x 9 1/16" x 13 3/16" pulg.	885 x 188 x 275 mm 34 13/16" x 7 5/16" x 10 13/16" pulg.	1000 x 185 x 335 mm 39 3/8" x 7 5/16" x 13 3/16" pulg.	1050 x 230 x 335 mm 41 5/16" x 9 1/16" x 13 3/16" pulg.	185 x 500 x 235 mm 7 5/16" x 19 11/16" x 9 1/4" pulg.	250 x 311 x 143 mm 9 13/16" x 12 1/4" x 5 5/8" pulg.
Dimensiones externas (Incluyendo pedestal y pies) (Al x An x P)	No disp.	No disp.	936 x 245 x 300 mm 36 7/8" x 9 5/8" x 11 13/16" pulg.	1021 x 245 x 360 mm 40 3/16" x 9 5/8" x 14 3/16" pulg.	1071 x 230 x 360 mm 42 3/16" x 11 7/16" x 14 3/16" pulg.	No disp.	No disp.
Peso (cada uno)	6,95kg (15lb 4oz)	9,7kg (21lb 6oz)	16,5kg (40lb 8oz)	23,5kg (51lb 6oz)	26,0kg (57lb 4oz)	9,6kg (21lb 2oz)	5,1kg (11lb 4oz)



Monitor Audio Ltd.
24 Brook Road
Rayleigh, Essex
SS6 7XJ
Inglaterra
Tel.: +44 (0)1268 740580
Fax: +44 (0)1268 740589
Correo electrónico: info@monitoraudio.co.uk

monitoraudio.com

Diseñado en el Reino Unido,
fabricado en China

© 2013. Versión 1

Silver **series**

manual do utilizador

Índice

Índice	71
Introdução	72
Silver 1	73
Silver 2	73
Silver 6	73
Silver 8	73
Silver 10	73
Silver Centre	73
Silver FX	73
Configuração	74
Posicionamento de AV	74
Posicionamento ideal dos altifalantes de AV	74
Configuração do interruptor Silver FX	75
Posicionamento de 2 canais	77
Configurar o Silver FX	77
Fixar o Silver FX a uma parede	78
Fixação do rodapé	78
Grelhas	78
Pé com espigão	79
Para chãos alcatifados	79
Para chãos de madeira/duros	79
Ligar os cabos dos altifalantes	80
Ligação dos fios descarnados	80
Fio simples	80
Fichas "banana"	80
Fio duplo/Biamplicação	80
Tampões das portas	81
Rodagem	81
Especificações	82

Introdução

Tendo como ponto de partida o extraordinário sucesso do RX, a mais recente Série Silver faz evoluir a arte do desenvolvimento de altifalantes do mercado intermédio com novos modelos e tecnologias. As características introduzidas pelos altifalantes das prestigiadas séries Platinum e Gold foram aperfeiçoadas, tendo sido incorporadas inovações recentes ao nível da engenharia de controladores numa nova série Silver expandida. Enquanto os modelos Silver 1, 2, 6, Centre e FX conservam o formato dos seus antecessores, o Silver 8 passa a ter um design de três vias completas e, novidade na família Silver, o Silver 10 oferece um formato de altifalante de chão aumentado, dotado de controladores de graves de 8" (200 mm) para uma resposta mais profunda e mais dinâmica e consistente em salas de maiores dimensões.

Novos controladores de sons graves e médios

Ao contrário dos cones convencionais, que incorporam uma abertura central para a bobina de voz, os cones ondulados C-CAM® RST® (Rigid Surface Technology) utilizados pela Série Silver têm a forma de um prato radiante ininterrupto contínuo com uma potência e área inerentemente superiores. A bobina de voz fica situada por baixo e está ligada a um motor maior através de um inovador mecanismo de transmissão mais eficiente.

Além disso, os modelos Silver 8 e 10 possuem um controlador de médias frequências de 4" (100 mm) recém-desenvolvido que funciona na sua própria caixa amortecida e otimizada para fornecer médias frequências fiéis. Dispõe de uma bobina de voz curta "saliente" em relação ao intervalo magnético para garantir que a bobina permanece constantemente dentro do intervalo a fim de fornecer uma modulação substancialmente reduzida e distorção extremamente baixa.

Novo tweeter

A distorção da compressão do ar na parte posterior da cúpula de um tweeter foi eliminada graças ao novo design de tweeter C-CAM de 25 mm da Série Silver, que ventila para o interior de uma câmara grande de carga posterior, produzindo uma ressonância muito mais baixa e um amortecimento global mais eficiente. A frequência de resposta de novo tweeter é mais precisa nas frequências mais baixas para assegurar uma transferência mais suave e mais natural com o controlador de médios/graves. Entretanto, a expansão de alta frequência foi melhorada e a separação reduzida através de melhoramentos na geometria do cone e no mecanismo de transmissão.

Outras características do design

A nova Série Silver conserva as fixações de controlador através de um parafuso simples utilizadas pelo RX para reduzir a coloração da caixa. Cada parafuso atua como uma braçadeira rígida, mas também elimina a necessidade de fixações convencionais do controlador, desassociando eficazmente o controlador e o defletor frontal para eliminar uma fonte de ressonância adicional.



NOTA: No caso de este parafuso se soltar com o tempo, ou de se ter solto durante o transporte, utilize a chave sextavada fornecida para reapertar o parafuso. Basta dar um quarto de volta após a pressão ter sido removida pelo parafuso.

Evoluindo a partir do Platinum, a tecnologia de porta HiVe da Monitor Audio é incorporada em todos os modelos de subwoofer, exceto Centre, FX e W12. A HiVe utiliza um design estriado direito para acelerar o fluxo de ar e reduzir a turbulência, de modo a fornecer graves limpos e potentes e uma resposta transitória superior. Foram utilizados condensadores de película de polipropileno e indutores de núcleo de ar e de núcleo de aço laminado nas transições para conservar a máxima integridade do sinal. Todos os modelos na nova Série Silver oferecem uma sensibilidade superior, distorção reduzida e maior impedância do que os seus antecessores, assegurando assim uma seleção mais vasta de equipamento associado.

Silver 1

O novo e compacto Silver 1 possui um controlador de sons graves/médios C-CAM® simples de 6" (150 mm) dotado da tecnologia de cone RST ondulado numa configuração clássica de monitor de duas vias. A potência de saída elevada e a saída dinâmica fazem do Silver 1 a escolha ideal para salas de pequenas a médias dimensões em sistemas estéreo de dois canais ou de cinema multicanais.

Silver 2

O Silver 2 possui um potente controlador de graves/médios RST C-CAM de 8" (200 mm) num design compacto de duas vias de montagem em suporte. A maior eficiência global e o tamanho do controlador fornecem uma excelente gama dinâmica com os graves expandidos normalmente associados a modelos de chão. A excecional resolução, aliada a uma potência de saída elevada e a uma saída dinâmica notável, significa que o Silver 2 é adequado para salas de médias a grandes dimensões em sistemas estéreo de dois canais ou de cinema multicanais.

Silver 6

O Silver 6 incorpora um controlador de graves RST C-CAM de 6" (150 mm) e um controlador de graves/médios RST C-CAM de 6" (150 mm) numa configuração de sistema de 2,5 vias. Os controladores estão alojados em câmaras acústicas separadas no interior da caixa para fornecerem uma sintonização diferencial e garantirem uma maior eficiência e a expansão melhorada das baixas frequências. A excelente dinâmica, combinada com um carácter sonoro de ritmo natural e graves firmes e controlados, faz do Silver 6 um notável comunicador de música e áudio de filmes.

Silver 8

O Silver 8 possui um controlador de médias frequências RST C-CAM de 4" (100 mm) do Silver flanqueado por controladores de graves RST C-CAM de curso longo de 6" (150 mm). Introduzida no Silver, esta configuração especializada está otimizada para oferecer uma maior precisão numa banda de frequência crítica a fim de assegurar um enfoque e uma precisão soberbos nas médias frequências, assim como graves expandidos. A caixa mais alta e menos profunda e o amortecimento melhorado permitem uma maior flexibilidade de posicionamento na sala, enquanto a sensibilidade e a impedância superiores tornam mais fácil para o Silver 8 transmitir uma dinâmica capaz de encher a sala, mesmo em espaços maiores.

Silver 10

O Silver 10 é um modelo completamente novo, compreendendo uma configuração de três vias num sistema de torre de chão de grandes dimensões. No Silver 10, o controlador de médias frequências RST C-CAM de 4" (100 mm) está flanqueado por controladores de graves de curso longo RST C-CAM de 8" (200 mm). O design acústico é semelhante ao do Silver 8, mas o tamanho otimizado do controlador significa que o 10 está equipado para dinamizar as salas de maiores dimensões com áudio de banda larga naturalmente explícito a partir de fontes de música e filmes.

Silver Centre

O compacto Silver Centre apresenta controladores de graves/médios duplos RST C-CAM de 6" (150 mm) numa configuração familiar de médio/tweeter/médio. O Silver Centre foi otimizado para corresponder ao carácter tonal dos seus companheiros da gama Silver a fim de garantir um palco sonoro frontal contínuo em aplicações multicanais.

Silver FX

O design de defletor angular de perfil discreto do novo altifalante de som surround Silver FX incorpora um controlador de graves/médios simples RST C-CAM de montagem frontal de 6" (150 mm) e tweeters duplos C-CAM montados lateralmente. Pode ser montado à face em paredes laterais ou posteriores e as suas características de dispersão alteradas com um simples interruptor para funcionamento dipolar ou bipolar.

Configuração

Posicionamento de AV

As ilustrações nas páginas seguintes mostram o posicionamento ideal e algumas disposições de salas sugeridas para aplicações de AV. Para obter conselhos sobre a configuração de um sistema de 2 canais, consulte a página 7.

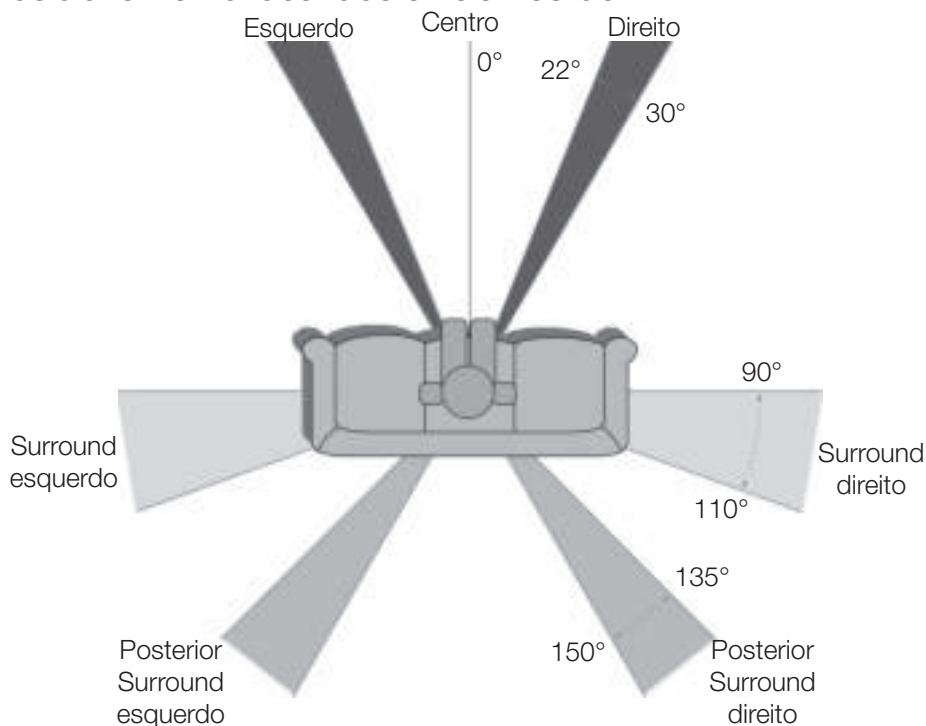
Os altifalantes de chão e de montagem em suporte frontais, e em alguns casos posteriores, devem ser posicionados a uma distância aproximada de 1,8 a 2,5 m (6 a 9 pés) entre eles e a cerca de 25 cm (10 polegadas) da parede.

Durante a reprodução de música, se o som tiver demasiados graves ou houver um "boom" dos graves vindo da sala, afaste-os mais um pouco das paredes posteriores/laterais. Se isto não for possível, experimente os tampões das portas fornecidos (não incluídos nos modelos Silver FX ou Centre). Consulte a página 11.

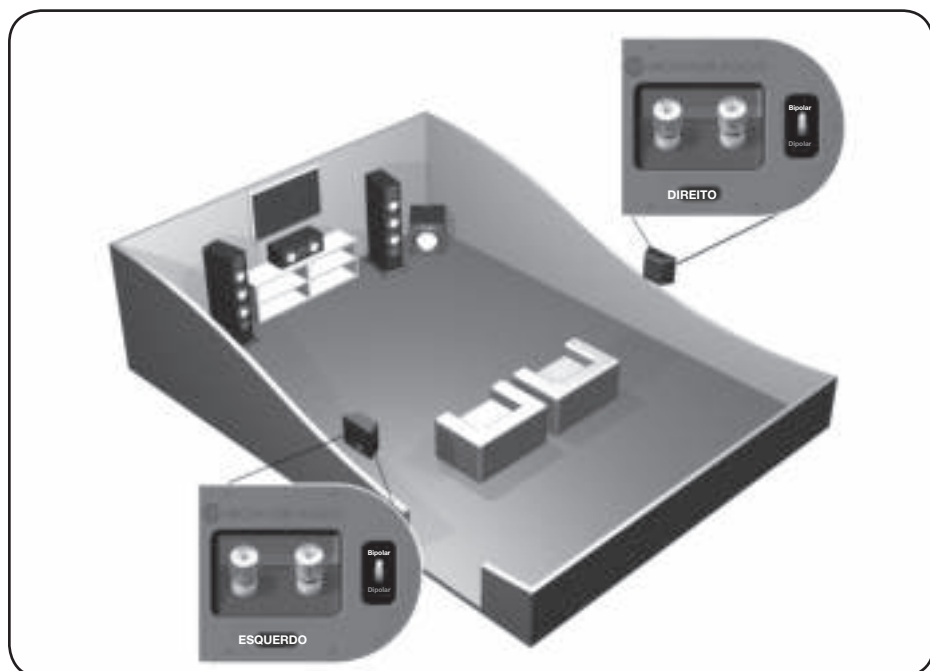
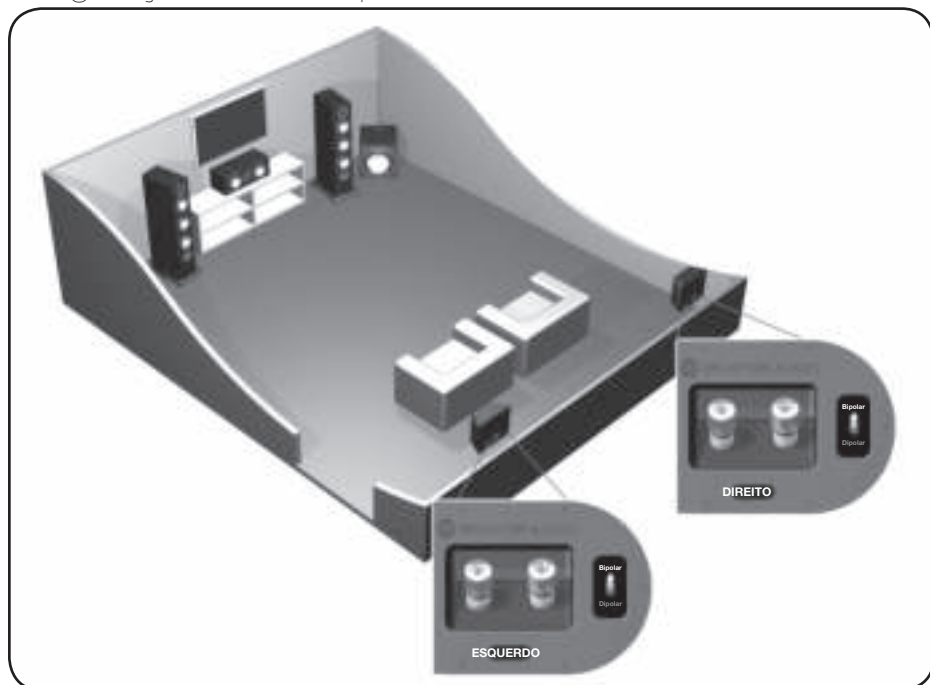
O Centre deve ser posicionado de modo a apontar para si na sua posição de visualização e aproximadamente à altura do ouvido. Se estiver abaixo ou acima da altura do ouvido, utilize pés de borracha (pés pequenos incluídos) para incliná-lo ligeiramente.

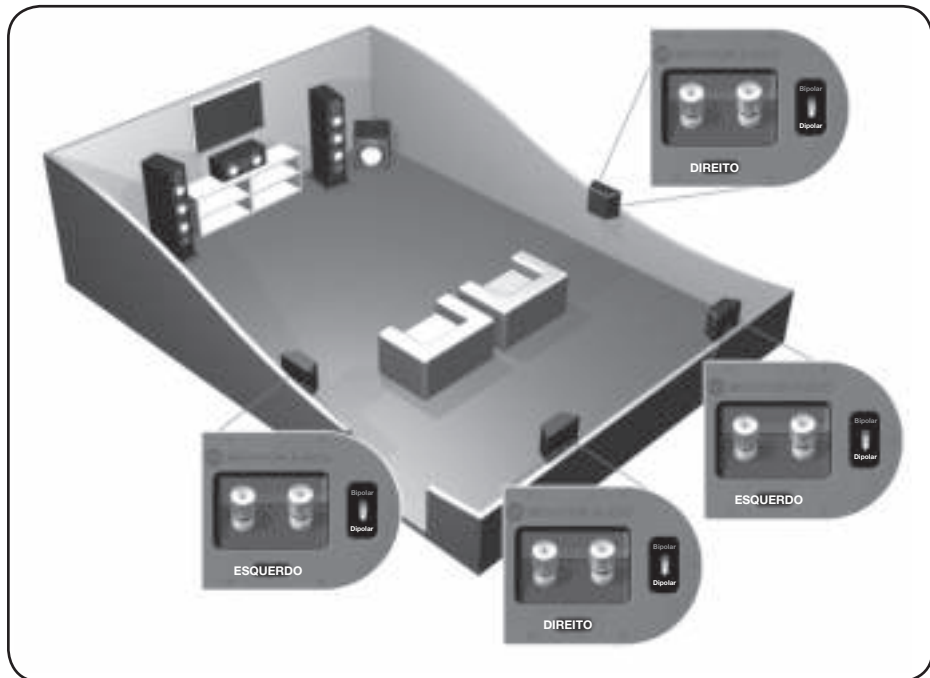
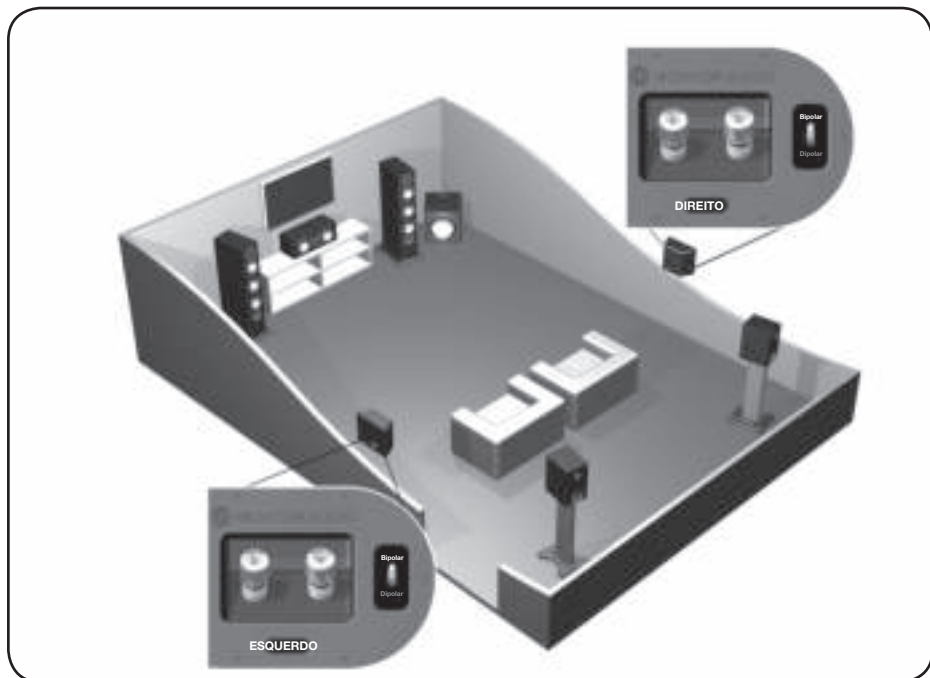
O FX deve ser posicionado de acordo com as ilustrações abaixo e aproximadamente 60 cm (2 pés) acima da altura do ouvido quando estiver na sua posição de audição. Consulte a página 7 para mais informações.

Posicionamento ideal dos altifalantes de AV



Configuração do interruptor Silver FX





Posicionamento de 2 canais

Para a utilização num sistema de 2 canais, a posição de audição e os altifalantes devem formar um triângulo equilátero. Os altifalantes devem ser posicionados aproximadamente entre 1,8 a 3 m (6 a 10 pés) de distância entre eles. De preferência, devem estar a uma distância de 20 a 45 cm (8 a 18 polegadas) das paredes posteriores e a 1 m (3 pés) das paredes laterais.

Recomendamos vivamente que experimente vários posicionamentos quando configurar inicialmente os altifalantes, pois os ambientes e a preferência pessoal diferem consoante a instalação. Se não houver graves suficientes, por exemplo, tente aproximar os altifalantes de uma parede. Faça o contrário se houver demasiados graves. Consulte também as informações na página 11 referente aos tampões das portas. Se estiver a perder imagem estéreo, experimente colocá-los numa posição ligeiramente oblíqua. O som deve parecer que provém do ponto central entre os altifalantes, não dos próprios altifalantes.

Configurar o Silver FX



NOTA: Quando utilizar dois pares de Silver FX num sistema 7.1, deve utilizar o altifalante Direito para o som surround posterior esquerdo e o altifalante Esquerdo para o som surround posterior direito. Isto deve-se ao faseamento do tweeter.

Os Silver FX estão emparelhados, mas compreendem, especificamente, unidades direitas e esquerdas. Estas podem ser configuradas para os modos bipolar (funcionamento normal) ou dipolar. A definição de fábrica é o modo bipolar.

No modo bipolar, todas as unidades de altifalantes (unidade de médios/graves e tweeters) estão em fase. Esta característica destina-se à configuração do FX for como um altifalante posterior/surround num sistema de canais 5.1 habitual ou, em alternativa, num sistemas de canais 7.1 sem um segundo par de FX para tarefas de som posterior/surround.

No modo dipolar, os tweeters orientados para trás estão desfasados do outro tweeter e da unidade de médios/graves. Esta configuração deve ser implementada quando utilizar os dois pares de FX como parte de um sistema de canais 7.1, com os FX posicionados nas paredes laterais e posteriores. Note que os FX são esquerdos e direitos. Isto não constitui um problema quando são utilizados no modo bipolar. É essencial posicioná-los corretamente se forem utilizados num sistema de canais 7.1. Consulte a secção sobre o posicionamento na página 4.



NOTA: Antes de passar os FX do modo bipolar para o modo dipolar, certifique-se de que os fios dos altifalantes estão desligados dos mesmos. Isto ajuda a proteger o amplificador.

Fixar o Silver FX a uma parede



CUIDADO: Deverá determinar onde o Silver FX será fixado e a estrutura da parede. Por motivos de segurança, se não estiver seguro da sua capacidade para fornecer uma fixação segura, não tente fixar estes altifalantes à parede e solicite os serviços de um técnico competente e qualificado.



CUIDADO: Certifique-se de que não existem tubos de água ou cabos de eletricidade a passar por trás da posição onde serão fixados os suportes de parede. Trabalhe a partir de degraus seguros e evite fios pendurados.

Não fornecemos parafusos e tomadas de fixação à parede com o FX. Utilize fixações adequadas para o tipo de construção da parede na qual o FX será fixado.

Para fixar o FX à parede, recomendamos que utilize o modelo de fixação à parede incluído na caixa da embalagem.

Fixação do rodapé

Apenas modelos de chão

Os modelos Silver 6, 8 e 10 são fornecidos com rodapés para melhorar a estabilidade e a resposta acústica. Os rodapés são fixados na respetiva posição com os parafusos M10 incluídos. Não são essenciais em caso de falta de espaço. Se optar por não utilizar os rodapés, encaixe os pés com espigões diretamente na caixa.

Antes de montar os rodapés, certifique-se de que não há quaisquer objetos duros/afiados no chão. Para colocar o rodapé, rode a caixa ao contrário de forma que o fundo fique virado para cima. Coloque o rodapé na caixa certificando-se de que está orientado corretamente e alinhe os furos dos parafusos com os encaixes na caixa. Fixe o rodapé à caixa com os parafusos. Aperte-os gradualmente de início e certifique-se de que o rodapé está fixado firmemente na caixa. Encaixe os pés no rodapé antes de voltar a endireitar o altifalante. (Leia as instruções ao lado.) Os espigões servem para melhorar a qualidade do som e o desempenho dos graves.

Grelhas

Todos os altifalantes da Série Silver incluem grelhas cobertas com tecido acusticamente transparente. As grelhas são mantidas na posição de forma invisível por ímanes tanto na grelha como na caixa (exceto no modelo FX).

Para encaixá-las, certifique-se de que estão orientadas corretamente (emblema no fundo) e aproxime-as da caixa. Os ímanes devem em seguida puxá-las para a posição correta.

O modelo FX vem com as grelhas montadas de fábrica. Caso pretenda removê-las, afaste-as cuidadosamente da caixa com as pontas dos dedos. Existem três grelhas diferentes montadas em cada caixa.



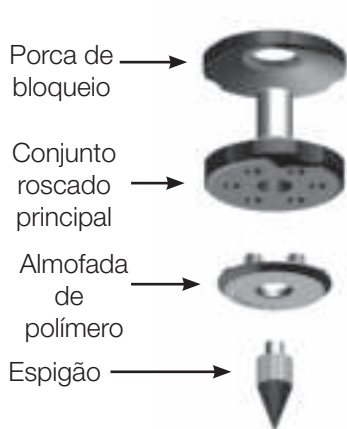
CUIDADO: Remova sempre as grelhas antes de levantar ou mover os altifalantes.

Pé com espigão

Para chãos alcatifados

Apenas modelos de chão

O pé com espigão da Série Silver incorpora um espigão para a utilização em chãos alcatifados, assim como uma almofada de polímero macia para a utilização em chãos de madeira ou ladrilho.



Certifique-se de que não há fios escondidos por baixo do tapete que possam ser danificados pelos espigões.

O pé é fornecido completamente montado para a utilização em chãos alcatifados. Basta fixá-lo no rodapé (ou na caixa, caso opte por não utilizar o rodapé). Para tal, aparafuse os pés completamente nos quatro encaixes roscados situados na parte inferior do rodapé/caixa. Se o seu tapete tiver um pelo muito grosso, remova a almofada de polímero macia do pé para garantir que o espigão atravessa o tapete até ao chão. Com um grande cuidado, endireite a caixa. Coloque a caixa na posição pretendida

e verifique se está nivelada em todos os lados. Se estiver ligeiramente desnivelada, desaparafuse o espigão no ponto mais baixo e verifique novamente. Continue este processo até que a caixa esteja completamente nivelada. Utilize a porca de bloqueio no pé para fixá-lo no sítio e evitar quaisquer vibrações indesejáveis.

Para chãos de madeira/duros

Apenas modelos de chão

Para a utilização em chãos duros ou onde os espigões não sejam adequados, é possível utilizar o pé sem o espigão. Para utilizar o pé desta forma, segure cuidadosamente na parte serrilhada do espigão e rode-o no sentido anti-horário até desapertar o espigão completamente.

Poderá ser mais fácil remover primeiro a almofada de polímero para aumentar o ponto de apoio no espigão. A almofada deve ser recolocada antes de realizar a operação de nivelamento descrita acima.



Ligar os cabos dos altifalantes

Ligação dos fios descarnados

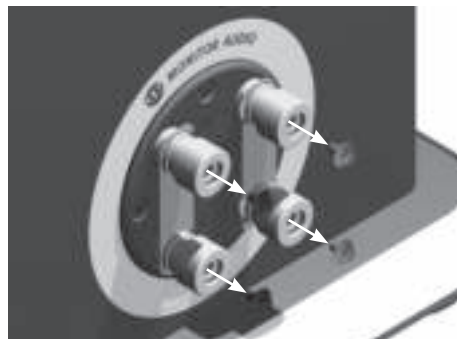
Desaparafuse os bornes de ligação e passe o fio descarnado através do furo de passagem, apertando em seguida os bornes de ligação para prender o fio na posição.



Fichas "banana"

Remova os tampões de plástico vermelhos e pretos dos terminais e insira as fichas "banana" nos furos a descoberto.

Poderá ser necessário utilizar uma chave de fendas de ponta chata para aumentar o ponto de apoio nas fichas.



Fio simples

Ligue as fichas "banana"/fio descarnado aos terminais. Ligue ao terminal superior, inferior ou diagonalmente (recomendamos que experimente várias ligações para conseguir os resultados pretendidos).



Conserve as ligações dos terminais nas respetivas posições.



As ligações dos terminais DEVEM ser removidas.



Tampões das portas



ATENÇÃO: Deve ter cuidado para não inserir demasiado os tampões nas portas, caso contrários os tampões de espuma poderão perder-se no interior da caixa.

Se o altifalante for instalado numa sala pequena, normalmente de 9 m² (80 pés²), ou numa sala conhecida por reproduzir uma resposta acentuada dos graves, poderá ser aconselhável instalar tampões das portas. No entanto, recomendamos que experimente vários posicionamentos do altifalante na sala antes de instalar os tampões. Para otimizar o desempenho de um altifalante, certifique-se de que não está posicionado demasiado perto de uma parede ou perto dos cantos de uma sala (consulte as sugestões nas páginas 4 e 7).

Se a estética ou disposição da sala pré-determinar o posicionamento dos altifalantes, ou na presença de graves acentuados, avance e leia o ponto 1 para os modelos Silver 1 e 2 e o ponto 2 para os modelos Silver 6, 8 e 10.

1. Quando altifalantes de montagem em prateleira/suporte (Silver 1 e 2) estiverem posicionados a menos de 20 cm (8 polegadas) de uma parede posterior (tal como numa prateleira, posicionados numa caixa ou num suporte próximo de uma parede), recomendamos a instalação dos tampões das portas. Isto reduzirá o "boom" dos graves e ajudará os altifalantes a reproduzir o seu melhor desempenho nestas condições ambientais.
2. Quando altifalantes de chão (Silver 6, 8 e 10) estiverem posicionados a menos de 45 cm (18 polegadas) de uma parede posterior, recomendamos a instalação dos tampões das portas. Isto reduzirá o "boom" dos graves e ajudará os altifalantes a reproduzir o seu melhor desempenho nestas condições ambientais.

O que é o "boom" dos graves?

O "boom" dos graves (por vezes referido como ressalto) geralmente ocorre quando a energia de graves do altifalante "excita" os modos da sala e causa uma acentuação numa determinada frequência, ou número de frequências.

Quando instalar tampões nas portas, a expansão global dos graves não será reduzida, porém a energia/saída dos graves à volta da frequência de sintonização da porta diminuirá. Isto tem o efeito de reduzir o "boom" dos graves, ao mesmo tempo que aumenta a nitidez e a agilidade aparente dos graves.

Recomendamos vivamente que experimente vários posicionamentos.

Rodagem

Os altifalantes necessitam de um certo nível de "rodagem" antes de atingirem o desempenho ideal. O processo de rodagem da Série Silver ronda as 60 a 70 horas de reprodução. Durante o processo de rodagem, recomendamos que não force os altifalantes para níveis elevados, pois isto pode danificá-los. Durante este tempo, irá notar o som a abrir e a ficar mais nítido, mais firme e muito mais controlado.

MODELO	Silver 1	Silver 2	Silver 6	Silver 8	Silver 10	Silver Centre	Silver FX
Formato do sistema	2 vias	2 vias	2,5 vias	3 vias	3 vias	2 vias (M - T - M)	2 vias
Frequência de resposta	45 Hz - 86 kHz	40 Hz - 85 kHz	36 Hz - 85 kHz	32 Hz - 85 kHz	30 Hz - 85 kHz	45 Hz - 85 kHz	60 Hz - 85 kHz
Sensibilidade (1 W a 1 m)	87 dB	88 dB	90 dB	90 dB	90 dB	90 dB	87 dB
Impedância nominal	8 ohms	8 ohms	8 ohms	4 ohms	4 ohms	8 ohms	8 ohms
SPL máximo	110,8 dBA (par)	112,6 dBA (par)	115,5 dBA (par)	116,8 dBA (par)	117,8 dBA (par)	112,5 dBA	110,1 dBA (par)
Capacidade de carga - Watts (RMS)	100 W	120 W	150 W	200 W	250 W	150 W	86 W
Requisitos recomendados do amplificador (RMS)	40-100 W	40-120 W	60-150 W	80-200 W	80-200 W	60-150 W	40-85 W
Alinhamento de graves	Reflexão de graves. Sistema de portas HIVE®	Reflexão de graves. Sistema de portas HIVE	Reflexão de graves de câmara dupla com sintonização diferencial. Sistema de porta dupla HIVE	Reflexão de graves. Sistema de porta dupla HIVE	Reflexão de graves. Sistema de porta dupla HIVE	Caixa fechada	Caixa fechada
Frequência de transição	3,0 kHz	2,0 kHz	BF: 700 Hz MF/AF: 2,7 kHz	BF/AF: 500 Hz MF/AF: 2,7 kHz	BF/AF: 560 Hz MF/AF: 2,7 kHz	2,6 kHz	2,2 kHz
Complemento da unidade de transmissão	1 x RST de 6" (150 mm)® controlador de graves/médios 1 x Tweeter C-CAW de cúpula dourada de 1" (25 mm)®	1 x controlador de graves/médios RST de 8" (200 mm) 1 x Tweeter C-CAW de cúpula dourada de 1" (25 mm)	1 x controlador de graves RST de 6" (150 mm) 1 x RST de 4" (100 mm) controlador de graves/médios 1 x Tweeter C-CAW de cúpula dourada de 1" (25 mm)	2 x controlador de graves RST de 6" (150 mm) 1 x RST de 4" (100 mm) controlador de graves/médios 1 x Tweeter C-CAW de cúpula dourada de 1" (25 mm)	2 x controlador de graves RST de 6" (150 mm) 1 x RST de 4" (100 mm) controlador de graves/médios 1 x Tweeter C-CAW de cúpula dourada de 1" (25 mm)	2 x controlador de graves/médios RST de 6" (150 mm) 1 x Tweeter C-CAW de cúpula dourada de 1" (25 mm)	1 x RST de 6" (150 mm) controlador de graves/médios 1 x Tweeter C-CAW de cúpula dourada de 1" (25 mm)
Dimensões da caixa (exceto grelha, terminais e rodapé) (A x L x P)	312 x 185 x 240 mm 12 5/16 x 7 5/16 x 9 7/16 pol.	375 x 230 x 300 mm 14 3/4 x 9 1/16 x 11 5/16 pol.	885 x 185 x 240 mm 34 13/16 x 7 5/16 x 9 7/16 pol.	1000 x 185 x 300 mm 39 3/8 x 7 5/16 x 11 13/16 pol.	1050 x 230 x 300 mm 41 5/16 x 9 1/16 x 11 13/16 pol.	185 x 500 x 200 mm 7 5/16 x 19 1/16 x 7 7/8 pol.	250 x 311 x 130 mm 9 3/16 x 12 1/4 x 5 1/8 pol.
Dimensões externas (incluindo terminais) (A x L x P)	312 x 185 x 263 mm 12 5/16 x 7 5/16 x 10 3/8 pol.	375 x 230 x 323 mm 14 3/4 x 9 1/16 x 12 1/16 pol.	885 x 185 x 263 mm 34 13/16 x 7 5/16 x 10 3/8 pol.	1000 x 185 x 323 mm 39 3/8 x 7 5/16 x 12 1/16 pol.	1050 x 230 x 323 mm 41 5/16 x 9 1/16 x 12 1/16 pol.	185 x 500 x 223 mm 7 5/16 x 19 1/16 x 8 3/4 pol.	250 x 311 x 130 mm 9 3/16 x 12 1/4 x 5 5/16 pol.
Dimensões terras (incluindo grelha e terminais) (A x L x P)	312 x 185 x 275 mm 12 5/16 x 7 5/16 x 10 3/16 pol.	375 x 230 x 335 mm 14 3/4 x 9 1/16 x 13 9/16 pol.	885 x 185 x 275 mm 34 13/16 x 7 5/16 x 10 3/16 pol.	1000 x 185 x 335 mm 39 3/8 x 7 5/16 x 13 3/16 pol.	1050 x 230 x 335 mm 41 5/16 x 9 1/16 x 13 3/16 pol.	185 x 500 x 235 mm 7 5/16 x 19 1/16 x 9 1/4 pol.	250 x 311 x 143 mm 9 3/16 x 12 1/4 x 5 5/8 pol.
Dimensões externas (incluindo rodapé e pés) (A x L x P)	N/D	N/D	936 x 245 x 300 mm 36 7/8 x 9 5/8 x 11 13/16 pol.	1021 x 245 x 360 mm 40 3/16 x 9 5/8 x 14 5/16 pol.	1071 x 290 x 360 mm 42 3/16 x 11 7/16 x 14 5/16 pol.	N/D	N/D
Peso (cada)	6,95kg (15lb 4oz)	9,7kg (21lb 6oz)	16,5kg (40lb 8oz)	23,53kg (51lb 6oz)	26,03kg (57lb 4oz)	9,6kg (21lb 2oz)	5,1kg (11lb 4oz)



Monitor Audio Ltd.
24 Brook Road
Rayleigh, Essex
SS6 7XJ
Inglaterra
Tel.: +44 (0)1268 740580
Fax: +44 (0)1268 740589
Endereço eletrônico: info@monitoraudio.co.uk

monitoraudio.com

Concebido no Reino Unido,
fabricado na China

© 2013. Versão 1

Silver **series**

gebruikershandleiding

Inhoud

Inhoud	85
Introductie	86
Silver 1	87
Silver 2	87
Silver 6	87
Silver 8	87
Silver 10	87
Silver Centre	87
Silver FX	87
Installatie	88
AV-positionering	88
Optimale AV-luidsprekerpositionering	88
Silver FX Switch-configuratie	89
Tweekanaals positionering	91
Installatie van de Silver FX	91
De Silver FX op een muur monteren	92
De plint bevestigen	92
Grilles	92
Puntvoetjes	93
Voor kamers met tapijt	93
Voor houten / harde vloeren	93
De luidsprekerkabels verbinden	94
Open draden verbinden	94
Enkele draad	94
Banaanstekkers	94
Bi-Wire / Bi-Amp	94
Poortstoppen	95
Inlopen	95
Specificaties	96

Introductie

De nieuwste producten uit de Silver Series maken flinke vooruitgang op de ontwikkeling van luidsprekers voor het middensegment met behulp van nieuwe modellen en technologieën. Het buitengewone succes van de RX stond hierbij centraal als blauwdruk. Toevoegingen die zijn geïntroduceerd in de Platinum en Gold Series-luidsprekers zijn verfijnd en recente innovaties in het vervaardigen van drivers zijn opgenomen in de uitgebreide, nieuwe Silver Series. Hoewel de Silver 1, 2, 6, Centre en FX dezelfde vorm behouden als hun voorgangers, krijgt de Silver 8 een volledig 3-richtingsdesign. Verder is de Silver 10 toegevoegd aan de Silver Series. De Silver 10 biedt een vergroot grondformaat waarin twee 8" basdrivers verwerkt zijn. Deze drivers bieden een verbeterde dynamische en consistente respons in grotere kamers.

Nieuwe bas- en midrange-drivers

In tegenstelling tot de meeste conussen, welke een opening hebben in het midden voor de spreekspoel, hebben de gedeukte RST® (Rigid Surface Technology) C-CAM®-conussen die worden gebruikt in de Silver Series een doorlopende, onafgebroken schotel die van zichzelf meer sterkte en bereik heeft. De spreekspoel zit verbonden onder een grotere motor binnenin een innovatieve, efficiënter samengestelde driver.

Bovendien hebben de Silver 8- en 10-modellen een nieuw ontwikkelde 4' midrange-driver die opereert in zijn eigen gedempte en geoptimaliseerde behuizing voor accurate middenfrequenties. De modellen bevatten een korte spreekspoel die 'laaghangend' is in relatie tot de magnetische tussenruimte om ervoor te zorgen dat de spoel te allen tijde binnen de ruimte blijft. Dit zorgt voor een significant gereduceerde modulatie en sterk verminderde vervorming.

Nieuwe tweeter

Vervorming door luchtcompressie achter de conus van de tweeter is geëlimineerd in het nieuwe 25mm C-CAM-tweeterontwerp. Door ontluchting in een grote achterraimte ontstaat er minder resonantie en betere demping. De frequentierespons van de nieuwe tweeter is accurater bij lagere frequenties, wat zorgt voor een soepelere en natuurlijkere overgang naar de mid-/basdriver. Ook het hogefrequentiebereik is verbeterd en storing is verminderd door verbeteringen in de vorm van de conus en de drive-regeling.

Overige ontwerpvoegingen

De nieuwe Silver Series zit net zoals de RX met één schroef vast aan de behuizing om resonantie te voorkomen. Elke schroef zorgt voor versteviging, maar elimineert ook de noodzaak voor een conventionele driverbevestiging. Dit houdt de driver los van de voorzijde en elimineert aanvullende resonantie.



LET OP: als de schroef na verloop van tijd loskomt of tijdens het vervoeren los is gegaan, draai hem dan weer aan met de bijgeleverde inbussleutel. Wanneer hij op zijn plaats zit hoeft je maar een kwartslag verder te draaien.

De uit de Platinum Series afkomstige HiVe port-technologie van Monitor Audio is ingebouwd in alle modellen behalve de Centre, FX en W12-subwoofermodellen. HiVe heeft rechte groeven om de luchtstroom te verbeteren en turbulentie te verlagen voor een zuivere en krachtige bas en een superieure transiëntrespons. Foliecondensatoren van polypropyleen, luchtkern- en stalenkernspoelen worden in de crossovers gebruikt om een zo goed mogelijke signaalintegriteit te behouden. Alle modellen in de Silver Series bieden een hogere gevoeligheid, verminderde vervorming en hogere impedantie dan hun voorgangers, wat zorgt voor een bredere groep samenwerkende apparatuur.

Silver 1

De nieuwe, compacte Silver 1 bevat een 6" C-CAM® bas-/midrange-driver met gedekte RST-conustechnologie in een klassieke tweerichtingsconfiguratie. Hoge uitvoer en dynamische levering maken de Silver 1 een ideale keus voor kleine tot middelgrote kamers voor tweerichtings-filmopstellingen in stereo of meerdere kanalen.

Silver 2

De Silver 2 bevat een krachtige 8" C-CAM, RST bas-/mid-driver in een krachtig tweerichtings-plaatsingsontwerp. De hogere gemiddelde efficiëntie en drivergrootte leveren uitstekende dynamische geluidsniveaus met een uitgebreide bas die normaal alleen te verkrijgen is bij grondmodellen. Uitmuntende resolutie, hoge uitvoer en dynamische levering maken de Silver 2 een ideale keus voor (middel)grote kamers bij tweerichtings-filmopstellingen in stereo of meerdere kanalen.

Silver 6

De Silver 6 bevat een 6" C-CAM, RST basdriver en 6" C-CAM RST bas-/mid-driver in een 2.5-richtings-systeemconfiguratie. De drivers zitten in aparte akoestische kamers binnen de behuizing. Dit zorgt voor differentiële afstemming voor hoge efficiëntie en een verbeterd laagfrequentiebereik. Een uitmuntende dynamiek, een natuurlijk ritmisch, sonisch karakter en een strakke, beheerste bas zorgen ervoor dat de Silver 6 een uitstekende keus is voor film en muziek.

Silver 8

De Silver 8 heeft een nieuw drierichtingsontwerp met een 4" C-CAM, RST midrange-driver en aan de zijkant long-throw C-CAM, RST 6" basdrivers. Deze gespecialiseerde configuratie, die zijn oorsprong vond in de Silver Series, is geoptimaliseerd voor grote nauwkeurigheid op een kritische frequentieband. Dit zorgt zowel voor uitmuntende midrange focus en precisie als voor een brede bas. Een hogere, minder diepe behuizing en verbeterde demping zorgt voor meer flexibiliteit in de positionering in de kamer. Een hogere sensitiviteit en impedantie zorgen dat de Silver 8 de kamer dynamisch met geluid vult, zelfs in grotere ruimtes.

Silver 10

De Silver 10 is een compleet nieuw model met een drierichtingsconfiguratie en een groot grondtorensysteem. Voor de Silver 10 wordt de 4" C-CAM, RST midrange-driver vergezeld door 8" C-CAM, RST long-throw basdrivers. Het akoestische design is vergelijkbaar met de Silver 8, maar de verbeterde drivergrootte zorgt ervoor dat de Silver 10 in staat is om zelfs de grootste kamers te voorzien van natuurlijk helder breedbandmuziek of -filmgeluid.

Silver Centre

De compacte Silver Centre bevat twee 6" C-CAM, RST bas-/midrange-drivers in een bekende mid-tweeter-midopstelling. De Silver Centre is ingesteld om het tonale karakter van de rest van de Silver Series bij te staan, wat bij het gebruik van meerdere kanalen zorgt voor een naadloze geluidsomgeving op de voorgrond.

Silver FX

De discreet geprofileerde schuine voorzijde van de nieuwe Silver FX surround luidspreker combineert een vooraan geplaatste 6" C-CAM, RST bas-/mid-driver met aan de zijkant twee C-CAM-tweeters. Je kunt de Silver FX plat plaatsen tegen de zij- of achtermuur, en de karakteristieken van de dispersie kunnen eenvoudig op dipool of bipool worden gezet met een schakelaar.

Installatie

AV-positionering

De illustraties op de volgende pagina's laten de optimale positionering en voorbeelden van kameropstellingen zien voor AV-gebruik. Voor advies over het configureren van een tweekanaalsysteem, zie pagina 7.

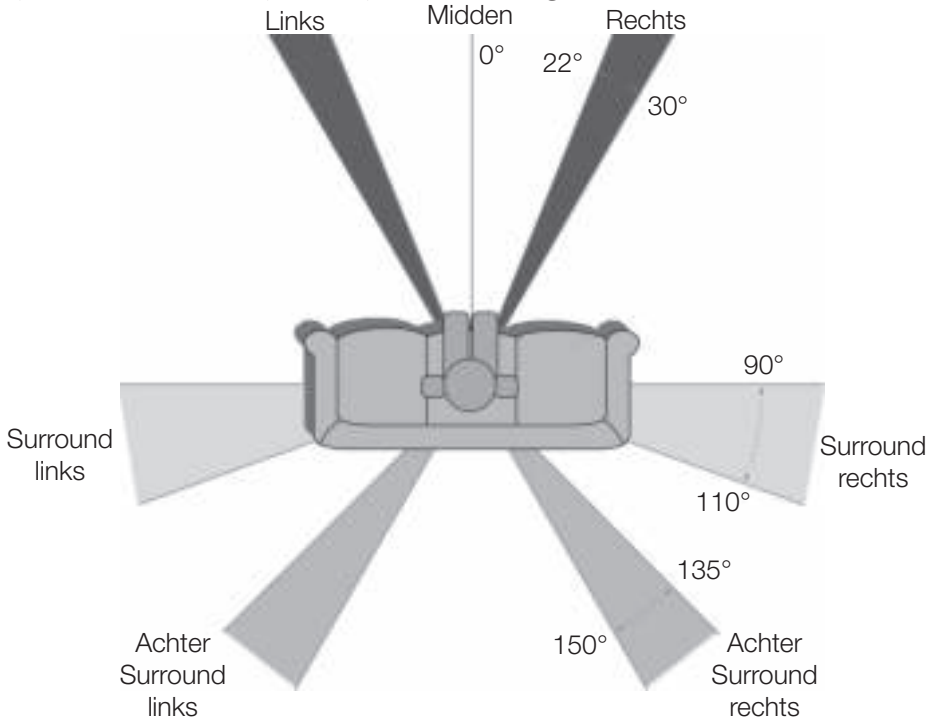
De grond- en hoger geplaatste luidsprekers voor de voorzijde, en in sommige gevallen voor de achterzijde, moeten ongeveer 1,8 tot 2,5 meter van elkaar en 25 centimeter van de muur af staan.

Als er tijdens het afspelen van muziek te veel bas is, of er een basgeluid buiten de kamer te horen is, plaats ze dan iets verder van de muur. Mocht dit niet mogelijk zijn, dan kun je de meegeleverde poortstoppen gebruiken (niet meegeleverd met de Silver FX of Centre). Zie pagina 11.

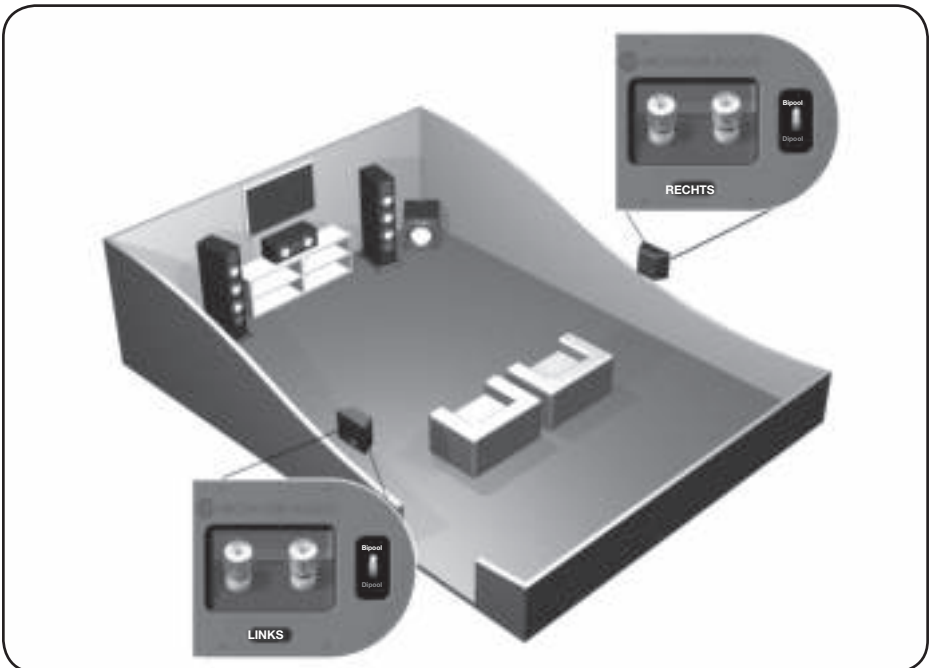
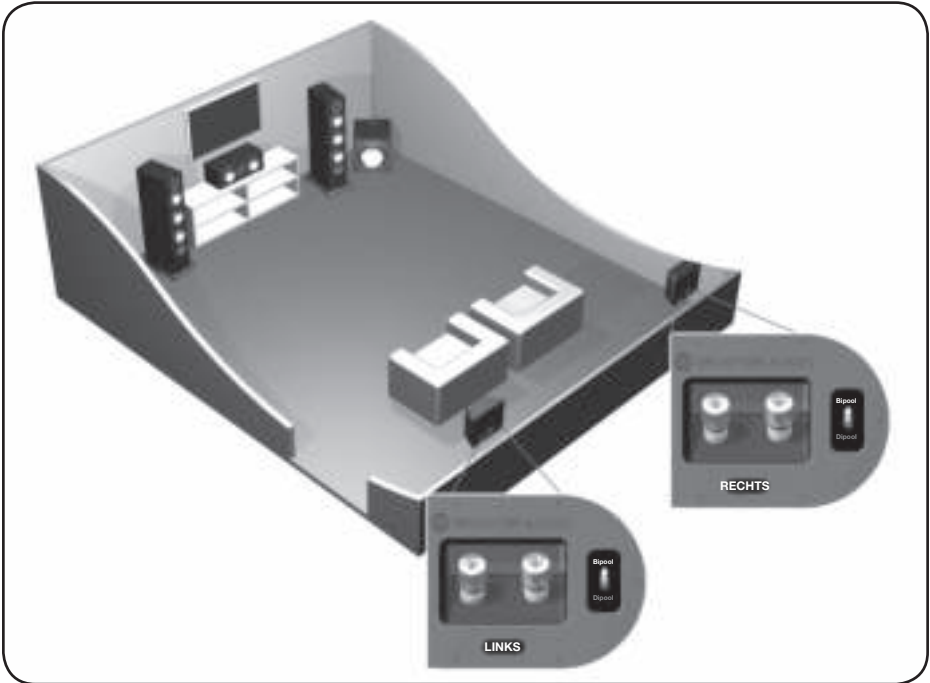
De Centre moet zo gepositioneerd worden dat hij vanuit jouw filmkijklocatie naar je toe staat gericht, ongeveer op oorhoogte. Als je hem onder of boven oorhoogte plaatst, gebruik dan rubber voetjes (kleine voetjes meegeleverd) om hem iets te kantelen.

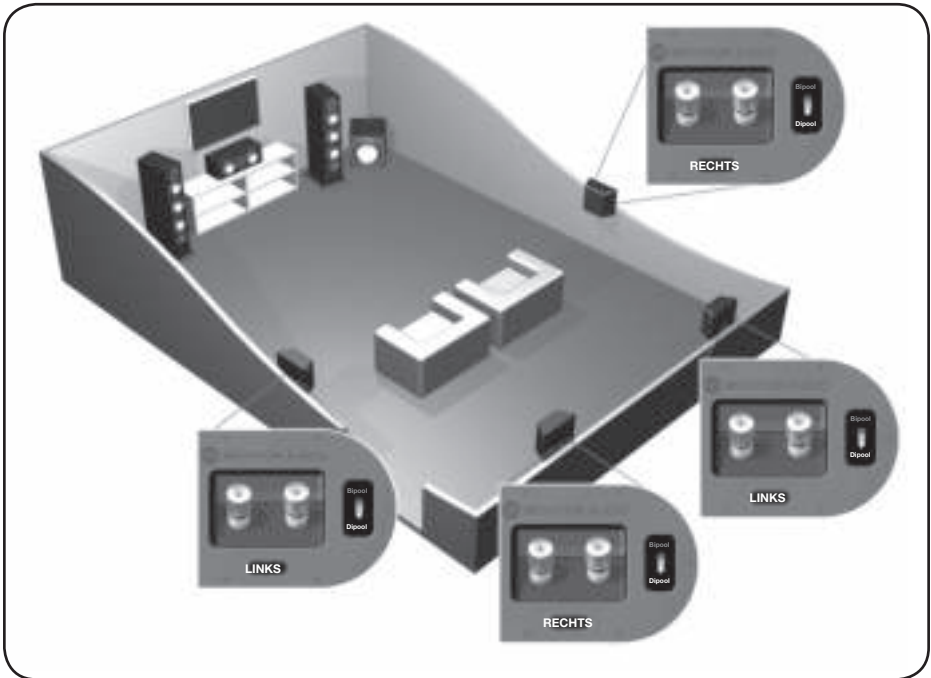
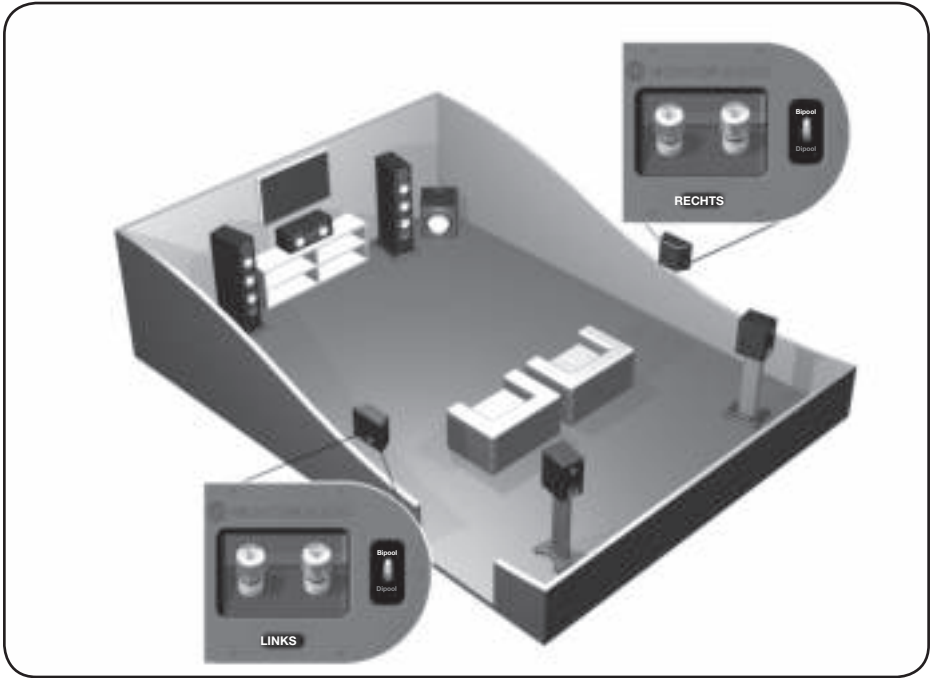
De FX moet geplaatst worden zoals in de onderstaande illustraties wordt weergegeven en ongeveer 60 centimeter boven je oren (van waaruit je luistert) worden gericht. Zie pagina 7 voor meer informatie.

Optimale AV-luidsprekerpositionering



Silver FX Switch-configuratie





Tweekanaals positionering

Bij het gebruik van een tweekanaals systeem moet de luisterpositie samen met de luidsprekers een gelijkzijdige driehoek vormen. De luidsprekers moeten tussen de 1,8 en 3 meter van elkaar af staan. Ideaal gezien staan ze ook 20 tot 45 centimeter van de achtermuur verwijderd en 1 meter van de zijmuur.

Het is aan te raden om te experimenteren met de opstelling van je luidsprekers, gezien de omgeving en persoonlijke voorkeur voor iedereen anders is. Als je bijvoorbeeld meer bas wilt, probeer dan de luidsprekers dichterbij de muur te plaatsen. Probeer het tegenovergestelde als er juist teveel bas is. Zie ook de informatie op pagina 11 over het gebruik van poortstoppen. Als het stereogeluid niet duidelijk plaatsbaar is, probeer ze dan ietwat naar binnen te draaien. Het geluid moet vanuit het middelpunt tussen de luidsprekers lijken te komen, niet de luidsprekers zelf.

Installatie van de Silver FX



LET OP: als je de Silver FX tweemaal in je 7.1-opstelling hebt, gebruik dan de linker luidspreker voor surround rechtsachter, en de rechter luidspreker voor surround linksachter. Dit vanwege de tweeterfasering.

De Silver FX-luidsprekers voor rechts en links horen samen. Ze kunnen allebei zowel bipool (normaal) als dipool worden gebruikt. Standaard staat hij op bipool.

In de bipoolmodus zijn alle luidsprekers (voor mid/bas en de tweeters) in fase. Deze functie is ontworpen voor als de FX wordt gebruikt als achter-/surroundluidspreker in een 5.1-kanaals opstelling, of in een 7.1-kanaals opstelling zonder een tweede FX-paar voor achter/surround.

In de dipoolmodus gaan de achterste tweeters uit fase met de andere tweeters en de mid-/basluidspreker. Deze implementatie is vooral geschikt voor wanneer je twee FX-paren hebt in een 7.1-opstelling, waarbij de FX-luidsprekers aan de zij- en achterkant worden geplaatst. Hou er rekening mee dat de FX-luidsprekers voor links en rechts zijn. Dit is geen probleem in de bipoolmodus. Het is uitermate belangrijk dat ze correct geplaatst worden in een 7.1-opstelling. Bekijk ook de uitleg over positionering op pagina 4.



LET OP: voordat je de instellingen van je FX-luidsprekers verandert van bipoolmodus naar dipoolmodus, moet je ervoor zorgen dat de bedrading van de luidsprekers is losgekoppeld. Dit beschermt je versterker.

De Silver FX op een muur monteren



PAS OP: je moet eerst vaststellen waar je de Silver FX-luidsprekers wilt plaatsen en wat voor structuur de muur heeft. Als je er niet zeker van bent of je zelf in staat bent om de luidsprekers veilig vast te zetten, schakel dan professionele hulp in om veiligheidsrisico's te voorkomen.



PAS OP: let erop dat er geen waterleidingen en elektriciteitskabels aanwezig zijn achter de plek op de muur waar je de muurbeugels wilt bevestigen. Werk in veilige stappen en pas op voor losliggende draden.

Schroeven en pluggen voor de muur worden niet met de FX meegeleverd. Je moet zelf zorgen voor de juiste benodigdheden voor het muurtype waaraan je de FX wilt bevestigen.

Om je FX aan de muur te bevestigen, raden we je aan om het muurbevestigingssjabloon dat is meegeleverd in de verpakking te gebruiken.

De plint bevestigen

Alleen relevant voor grondmodellen

De Silver 6, 8 & 10 worden geleverd met plinten die de stabiliteit en akoestische respons verbeteren. De plinten moeten worden vastgezet met de meegeleverde M10-schroeven. Je hoeft ze niet allemaal te gebruiken als er niet genoeg ruimte is. Als je besluit om de plinten niet te gebruiken, kun je de puntvoetjes direct aan de behuizing bevestigen.

Zorg ervoor dat er geen harde of scherpe voorwerpen op de grond liggen voor je de plint plaatst. Om de plint te plaatsen draai je het geheel om, zodat de onderkant naar boven wijst. Zorg er bij het plaatsen van de plint voor dat hij correct gedraaid is en de schroefgaten in de plint en de behuizing op elkaar aansluiten. Gebruik nu de schroeven om de plint vast te maken aan de behuizing. Schroef ze eerst rustig aan en zorg ervoor dat de plint stevig op z'n plaats terecht komt. Plaats de voetjes op de plint voordat je de luidspreker weer recht zet. (Lees ook de instructies hiernaast). De puntvoetjes zorgen voor een betere geluidskwaliteit en bas.

Grilles

De luidsprekers van de Silver Series worden geleverd met grilles die bedekt zijn met een akoestisch transparante stof. De grilles worden onzichtbaar op hun plaats gehouden door magneten in de grille en de behuizing (geldt niet voor de FX).

Zorg bij het plaatsen van de grilles dat de juiste kant boven zit (insigne onderaan) en plaats ze vervolgens op de behuizing. De magneten zullen de grilles op hun plaats trekken.

Bij de FX zijn de grilles reeds in de fabriek geplaatst. Om een grille te verwijderen trek je hem voorzichtig weg van de behuizing met je vingertoppen. Elke behuizing heeft drie aparte grilles.



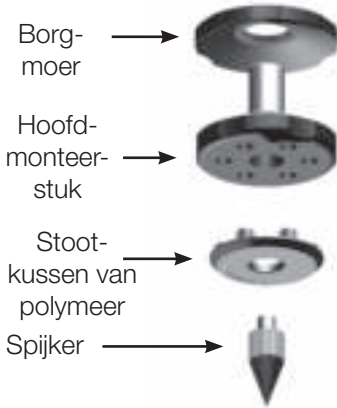
PAS OP: als je de luidsprekers wilt verplaatsen, verwijder dan eerst de grilles.

Puntvoetjes

Voor kamers met tapijt

Alleen relevant voor grondmodellen

De puntvoetjes van de Silver Series zijn puntvormig aan de onderzijde om stevig op tapijt te kunnen staan. Voor vloeren van hout of tegels is er een zacht stootkussen van polymeer.



Zorg ervoor dat er geen verborgen draden onder het tapijt liggen die beschadigd kunnen raken door de punt.

De voetjes zijn volledig gebruiksklaar om op tapijt gebruikt te worden. Je hoeft ze alleen maar aan de plint vast te maken (of aan de behuizing, als je geen plint gebruikt). Dit doe je door de voetjes volledig in de 4 schroefpunten te draaien aan de onderzijde van de plint/behuizing. Als je tapijt erg dik is, verwijder dan de zachte stootkussens van polymeer en zorg ervoor dat de voetjes door het tapijt heen de vloer bereiken. Wees voorzichtig bij het rechtzetten van de behuizing. Plaats de luidspreker op de gewilde locatie en zorg ervoor dat hij recht staat. Als hij niet helemaal recht staat, schroef dan het voetje op het laagste punt iets losser. Herhaal dit tot de luidspreker helemaal recht staat. Gebruik de borgmoer om de voetjes om ze vast te zetten en ongewilde vibraties te voorkomen.

Voor houten / harde vloeren

Alleen relevant voor grondmodellen

Voor harde vloeren waar de puntvormige voetjes niet geschikt zijn, kun je de voetjes zonder punt gebruiken. Om dit voor elkaar te krijgen, moet je de gekartelde kant van het voetje vastpakken en de punt tegen de klok in draaien om het los te maken.

Het is misschien makkelijker om eerst het stootkussen van polymeer te verwijderen, om de punt zo beter vast te kunnen pakken. Het stootkussen moet opnieuw aangebracht worden voor je de eerder beschreven stappen volgt om de luidspreker recht te zetten.



De luidsprekerkabels verbinden

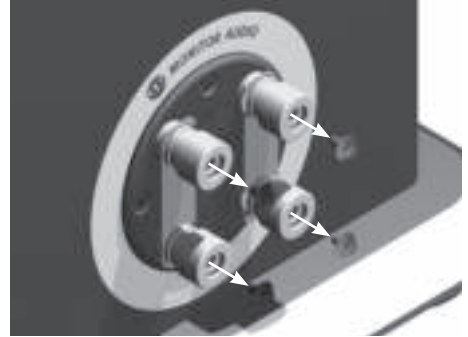
Open draden verbinden

Schroef de aansluitklem los en plaats de open draad in het gat. Draai vervolgens de aansluitklem weer aan zodat de draad vast komt te zitten.



Banaanstekkers

Verwijder de rode en zwarte stoppen uit de aansluitingen en plaats de banaanstekkers in de onderliggende openingen. Een mes of een platte schroevendraaier zijn misschien nodig om de stoppen eruit te krijgen.



Enkele draad

Verbind de banaanstekkers/open draad met de aansluiting. Je kunt verbinden met de bovenkant, onderkant of diagonaal (het is aan te raden om te experimenteren voor een optimaal resultaat).



Laat de aansluitings-
verbindingen op hun plaats.



Je MOET de aansluitings-
verbindingen verwijderen.



Poortstoppen



WAARSCHUWING: pas op dat je de poortstop niet te ver in de poort duwt, gezien de stop van schuimrubber in de behuizing kan vallen.

Als de luidspreker in een kleine kamer (ongeveer 9 vierkante meter) wordt gebruikt, of in een kamer die een versterkte basrespons creëert, dan is het wellicht een goed idee om poortstoppen te gebruiken. Het is echter aan te raden om eerst te experimenteren met de plaatsing van de luidsprekers, alvorens je de poortstoppen gebruikt. Om de luidsprekerprestaties te verbeteren, moet je ervoor zorgen dat hij niet te dicht bij een muur of hoek staat (zie pagina 4 en 7 voor suggesties).

Als de indeling van je kamer de positie van de luidsprekers bepaalt, of als je een geaccentueerde bas hoort, lees dan punt 1 voor de Silver 1 en 2, en punt 2 voor de Silver 6, 8 en 10.

1. Als de hoger geplaatste luidsprekers (Silver 1 en 2) op een afstand van 20 cm of minder van een muur af geplaatst moeten worden (zoals op een boekenplank, in een open kast of aan de muur gemonteerd), dan is het aan te raden om de poortstoppen te gebruiken. Dit reduceert de 'dreun' van de bas en helpt de luidsprekers om optimaal te functioneren onder deze omgevingsomstandigheden.
2. Als de grondluidsprekers (Silver 6, 8 en 10) op een afstand van 45 cm of minder van een achtermuur geplaatst moeten worden, dan is het aan te raden om de poortstoppen te gebruiken. Dit reduceert de 'dreun' van de bas en helpt de luidsprekers om optimaal te functioneren onder deze omgevingsomstandigheden.

Wat is een basdreun?

Een basdreun ontstaat wanneer de energie van de bas van de luidsprekers de kamer laat resoneren wat zorgt voor een versterking van een of meer frequenties.

Het basbereik wordt niet verlaagd door het gebruik van poortstoppen. Wel vermindert de energie van de bas rondom de poortfrequentie. Hierdoor verlaag je de 'dreun' van de bas, en verhoog je tegelijkertijd de helderheid en behendigheid.

Het is aan te raden om te experimenteren.

Inlopen

De luidsprekers moeten worden 'ingelopen' voordat ze hun optimale niveau bereiken. Voor de Silver Series neemt dit proces ongeveer 60 tot 70 uur aan afspeeltijd in beslag. Tijdens deze periode is het aan te raden om de luidsprekers niet te hard te zetten, gezien dit ze kan beschadigen. Je zult merken dat het geluid langzaam 'open' gaat en helderder, strakker en zuiverder wordt.

MODEL	Silver 1	Silver 2	Silver 6	Silver 8	Silver 10	Silver Centre	Silver FX
Systeemformaat	2 richtingen	2 richtingen	2 ½ richtingen	3 richtingen	3 richtingen	2 richtingen (M - T - M)	2 richtingen
Frequentierespons	45 Hz - 35 kHz	40 Hz - 35 kHz	35 Hz - 35 kHz	32 Hz - 35 kHz	30 Hz - 35 kHz	45 Hz - 35 kHz	60 Hz - 35 kHz
Gevoeligheid (1W@1M)	87 dB	88 dB	90 dB	90 dB	90 dB	90 dB	87 dB
Nominale impedantie	8 Ohm	8 Ohm	8 Ohm	4 Ohm	4 Ohm	8 Ohm	8 Ohm
Maximale S.P.L	110,8 dBA (paar)	112,6 dBA (paar)	115,5 dBA (paar)	116,8 dBA (paar)	117,8 dBA (paar)	112,5 dBA	110,1 dBA (paar)
Elektrisch vermogen (RMS) in Watts	100 W	120 W	150 W	200 W	250 W	150 W	85 W
Aangeraden vermogen versterker (RMS)	40 – 100 W	40 – 120 W	60 – 150 W	80 – 200 W	80 – 200 W	60 - 150 W	40 - 85 W
Basafstemming	Basireflex HiW6® port-systeem	Basireflex HiV6 port-systeem	Tweeakters-basireflex met differentieel aafstemming Twin HiV6 port-systeem	Basireflex Twin HiV6 port-systeem	Basireflex Twin HiV6 port-systeem	Gestoten behuizing	Gestoten behuizing
Crossover-frequentie	3,0 kHz	2,0 kHz	L.F: 700 Hz M.F/H.F: 2,7 kHz	L.F/M.F: 500 Hz M.F/H.F: 2,7 kHz	L.F/M.F: 550 Hz M.F/H.F: 2,7 kHz	2,6 kHz	2,2 kHz
Aanvulling op de aandrijving	1 x 6" RST® bas-/mid-driver 1 x 1" (25 mm) gold dome C-CAM™-tweeter	1 x 8" RST bas-/ mid-driver 1 x 1" (25 mm) gold dome C-CAM™-tweeter	1 x 6" RST basdriver 1 x 6" RST bas-/mid-driver 1 x 1" (25 mm) gold dome C-CAM™ tweeter	2 x 6" RST basdriver 1 x 4" RST midrange-driver 1 x 1" (25 mm) gold dome C-CAM™ tweeter	2 x 8" RST basdriver 1 x 4" RST midrange-driver 1 x 1" (25 mm) gold dome C-CAM™ tweeter	2 x 6" RST bas-/ mid-driver 1 x 1" (25 mm) gold dome C-CAM™ tweeter	1 x 6" RST bas-/mid-driver 1 x 1" (25 mm) gold dome C-CAM™ tweeter
Afmetingen behuizing (zonder grille, stekkers & plint) (H x B x D)	312 x 185 x 240 mm 12 5/16 x 7 3/16 x 9 7/16 Inch	375 x 230 x 300 mm 14 3/8 x 9 1/16 x 11 13/16 Inch	885 x 185 x 240 mm 34 13/16 x 7 3/16 x 9 7/16 Inch	1000 x 185 x 300 mm 39 3/8 x 7 3/16 x 11 13/16 Inch	1050 x 230 x 300 mm 41 5/16 x 9 1/16 x 11 13/16 Inch	185 x 500 x 200 mm 7 3/16 x 19 11/16 x 7 7/8 Inch	250 x 311 x 130 mm 9 13/16 x 12 1/4 x 5 1/8 Inch
Externe verhoudingen (Inclusief stekkers) (H x W x D)	312 x 185 x 263 mm 12 5/16 x 7 3/16 x 10 3/8 Inch	375 x 230 x 323 mm 14 3/8 x 9 1/16 x 12 11/16 Inch	885 x 185 x 263 mm 34 13/16 x 7 3/16 x 10 3/8 Inch	1000 x 185 x 323 mm 39 3/8 x 7 3/16 x 12 11/16 Inch	1050 x 230 x 323 mm 41 5/16 x 9 1/16 x 12 11/16 Inch	185 x 500 x 223 mm 7 3/16 x 19 11/16 x 8 3/4 Inch	250 x 311 x 130 mm 9 13/16 x 12 1/4 x 5 1/8 Inch
Externe verhoudingen (Inclusief grille en stekkers) (H x W x D)	312 x 185 x 275 mm 12 5/16 x 7 3/16 x 10 13/16 Inch	375 x 230 x 335 mm 14 3/8 x 9 1/16 x 13 3/16 Inch	885 x 185 x 275 mm 34 13/16 x 7 3/16 x 10 13/16 Inch	1000 x 185 x 335 mm 39 3/8 x 7 3/16 x 13 3/16 Inch	1050 x 230 x 335 mm 41 5/16 x 9 1/16 x 13 3/16 Inch	185 x 500 x 235 mm 7 3/16 x 19 11/16 x 9 1/4 Inch	250 x 311 x 143 mm 9 13/16 x 12 1/4 x 5 5/8 Inch
Externe verhoudingen (Inclusief plint en voeties) (H x W x D)	n.v.t.	n.v.t.	936 x 245 x 300 mm 36 7/8 x 9 5/8 x 11 13/16 Inch	1021 x 245 x 360 mm 40 3/16 x 9 5/8 x 14 3/16 Inch	1071 x 290 x 360 mm 42 3/16 x 11 7/16 x 14 3/16 Inch	n.v.t.	n.v.t.
Gewicht (elk)	6,95kg (15lb 4oz)	9,7kg (21lb 6oz)	16,5kg (40lb 8oz)	23,53kg (51lb 6oz)	26,03kg (57lb 4oz)	9,6kg (21lb 2oz)	5,1kg (11lb 4oz)



Monitor Audio Ltd.
24 Brook Road
Rayleigh, Essex
SS6 7XJ
Engeland
Tel.: +44 (0)1268 740580
Fax: +44 (0)1268 740589
E-mail: info@monitoraudio.co.uk

monitoraudio.com

Ontworpen en ontwikkeld in het
Verenigd Koninkrijk, vervaardigd in
China

© 2013. Versie 1

Silver series

银色系列 用户手册

目录

目录	99
介绍	100
Silver 1	101
Silver 2	101
Silver 6	101
Silver 8	101
Silver 10	101
Silver Centre	101
Silver FX	101
设置	102
AV 定位	102
Silver FX 切换配置	103
最佳 AV 扬声器定位	105
双声道定位	105
设置 Silver FX	105
将 Silver FX 固定于墙壁	106
底座固定	106
布框	106
脚钉	107
对于地毯地板	107
对于木地板/ 硬地板	107
连接扬声器电线	108
裸线连接	108
单线	108
香蕉插头	108
双线/ 双功放	108
风管塞子	109
试运行	109
规格	110

介绍

以取得非凡成功的 RX 作为蓝本，最新银色系列产品以新产品型号与新技术促进了中端扬声器市场的开发技艺。久负盛名的铂金系列扬声器的产品功能介绍已经改善，此外，最近在驱动工程方面的创新交叉合成了一种延伸型的新型银色系列产品。尽管 Silver 1、2、6、Centre 以及 Silver FX 保留了上一代的波形因数，Silver 8 融入了完整三声道设计，该设计于银色系列产品前所未有的，Silver 10 也提供了一种高端落地式版式，以双8英寸低音单元为特性，保持在较大房间里更深、更具活力且始终如一的音响效果。

新低音单元与中音单元

传统的圆锥形设计为音圈加入了一个中心圈，与传统的设计不同，银色系列所配置的波纹型刚性表面技术 (RST) C-CAM 采取了连续不断的发射盘形式，固有更高音量功能、覆盖范围更广。音圈通过一个创新型且更具效果的传动装配与较大马达耦合且位于马达下方。此外，Silver 8 与 Silver 10 以全新开发的4英寸中音单元为特征，通过运作其自有的最佳阻尼外壳提供准确的中音频率。此外，以与磁间隙有关的“下挂式”短音圈为特性，确保线圈一直保持在间隙里面，从而显著减少音色转调与降低音色失真。

新型高频扬声器

银色系列产品之新型 25mm C-CAM 高频扬声器设计消除了高频扬声器圆顶后方由于空气压缩引起的音色失真情形，该设计融入了较大的后载空间，显著降低了共振，从而达到了较佳的整体阻尼效果。新型高频扬声器的频率响应在低频时更为准确，从而使中/低单元的音频传送更为自然，更为顺畅。与之同时，通过改善圆顶几何设计与传动机制，改善了高频扩展并减少了音频传送中断。

其他设计特性

新型银色系列产品保留了 RX 产品所配置的单螺栓穿过驱动配件的设计，从而减少机箱着色。各螺栓作为刚性支撑的同时，也消除了其在传统驱动配件的需求，从而有效地对驱动与前置挡板去耦，清除了进一步的共振源。



注意：如果螺栓年久疏松、或者在运输过程中松掉，请用所提供的六角扳手重新将螺栓固定。当螺栓拧紧之后，再转动多四分之一圈即可。

从铂金系列产品开始演变，英国猛牌蜂巢端口技术融入了其除 Silver Centre、Silver FX 与 W12 低音炮的所有产品。蜂巢技术使用了一种直内螺纹设计，加速气流并减少湍流，从而达到纯净且强大的低音回声与优越的瞬时回声效果。聚丙烯薄膜电容器、空气磁芯、以及复膜钢芯电感器通过运用交叉功能维持了最佳的信号完整性。银色系列产品的所有产品型号比起其前代产品提供了更高的灵敏度、较少了音色失真且具有较高阻抗，确保为合作设备提供了更为广泛的选择范围。

Silver 1

小型新 Silver 1 的特性为单一6英寸 C-CAM 低音/中音传送单元，传统双路监视配置设计采用波纹型 RST 圆锥形技术。其高输出与动态传送特性使得 Silver 1 是中小型房间双声道立体声系统或者多频道影院系统的最佳选择。

Silver 2

Silver 2 的特性为小型双声道站立安装设计中强大的8英寸 C-CAM、RST 低音/中音传送单元。较高的整体效率于传送单元尺寸、以及与落地式产品型号有关的常规延伸低音相结合，提供了完美的动态净空。其超常的分辨率以及高输出与非凡的动态传送，意味着 Silver 2 非常适合大中型房间双声道立体声系统或者多频道影院系统。

Silver 6

Silver 6 在2.5声道系统配置中结合了6英寸 C-CAM、RST 低音单元以及6英寸 C-CAM、RST 中/低音传送单元。传送单元在外壳设计中位于单独的隔音箱，为高效率以加强版低频延伸提供不同的调音。非凡的动态设计结合自然节奏音质品质以及紧密控制的低音传送单元，使得 Silver 6 为音乐以及电影音频的最佳通信装置。

Silver 8

Silver 8 为新型三声道设计，其特性为银色系列产品的4英寸 C-CAM、RST 中音传送单元两侧配置长冲程 C-CAM、6英寸低音传送单元。作为银色系列产品的引进，其专门的配置在临界频段之外更加优化了音频准确性，从而提供极好的中音聚焦与精度以及延伸低音。更高、更薄的音箱以及改善后的阻尼使空间定位更有灵活性，此外，较高灵敏性与阻抗使得 Silver 8 在室内填充动态传送更为简易，即使是在较大的室内空间。

Silver 10

Silver 10 是一种全新的产品型号引进，由大型落地式塔式系统中的三声道配置组成。在 Silver 10 产品中，4英寸 C-CAM、RST 中音传送单元两侧配置了8英寸 C-CAM、RST 长冲程低音传送单元。其音箱设计与 Silver 8 相类似，但是其加强版的传送单元尺寸意味着 Silver 10 可以从音乐以及电影音频资源中为更大的空间提供自然清晰的宽频资讯。

Silver Centre

小型 Silver Centre 的特性为在常见的中频 - 高频 - 中频阵列的双6英寸 C-CAM、RST 低/中音传送单元。经调准，Silver Centre 在多音频应用中可以为无缝前方声场匹配其银色系列范围配置的音调特性。

Silver FX

新型银色FX环绕扬声器素雅外形调整角度挡板设计融入了单一前悬挂式6英寸 C-CAM、RST 低/中音传送单元以及双侧悬挂式 C-CAM 高频扬声器。该产品可以通过嵌入式安装于侧墙或者后墙上，可以通过轻击开关改变其色散特性进行单极或者偶极操作。

设置

AV 定位

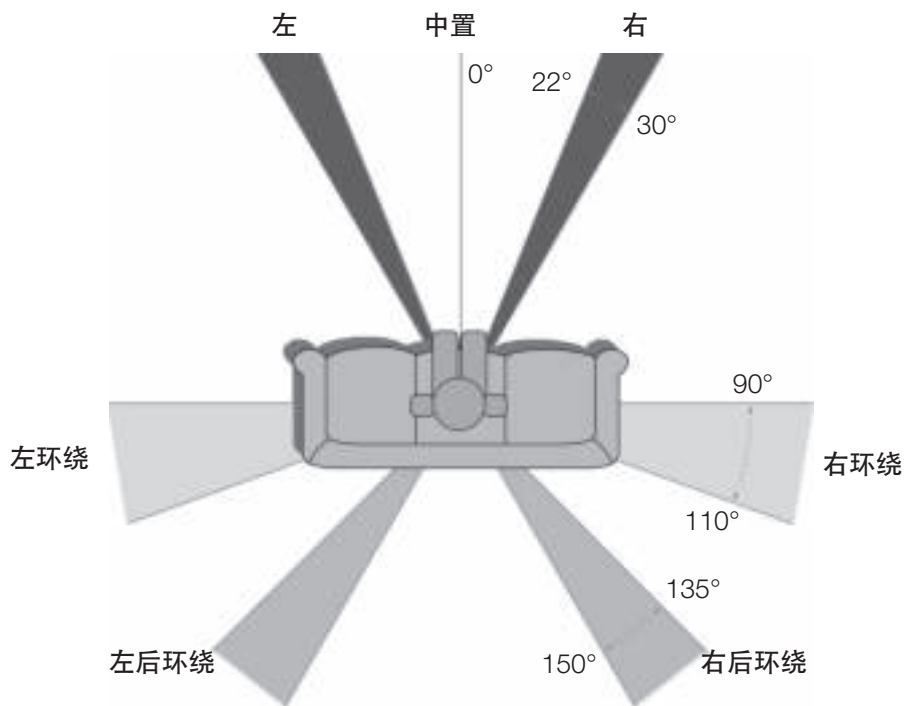
以下各页的阐述说明为 AV 应用阐明了最优定位方法以及一些推荐空间布置。对于配置双声道系统的建议，请参见第7页。前（以及在某些情况下的后）落地式以及站立式安装扬声器应该定位相隔约6-9英尺（1.8米 - 2.5米），并从离墙壁约10英寸（25厘米）处开始定位。

如果在音乐播放时声音过于低沉或者空间里有低音回响，稍微将音箱再移动得离后墙/侧墙远一点。如果不能移动，尝试使用产品所提供的端口塞子（Silver FX 或者 Silver Centre 不提供此塞子）。参见第11页。

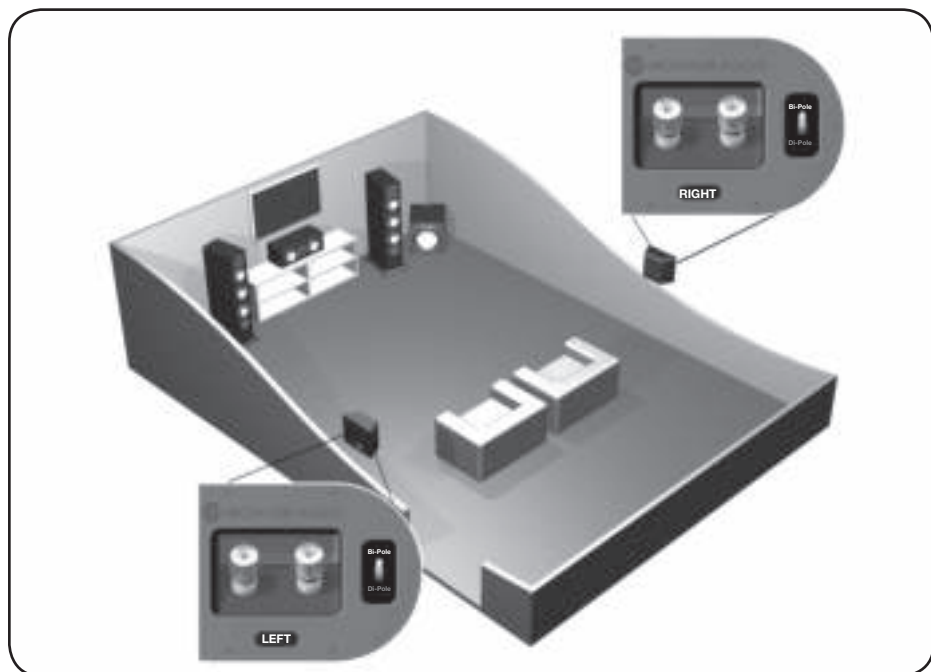
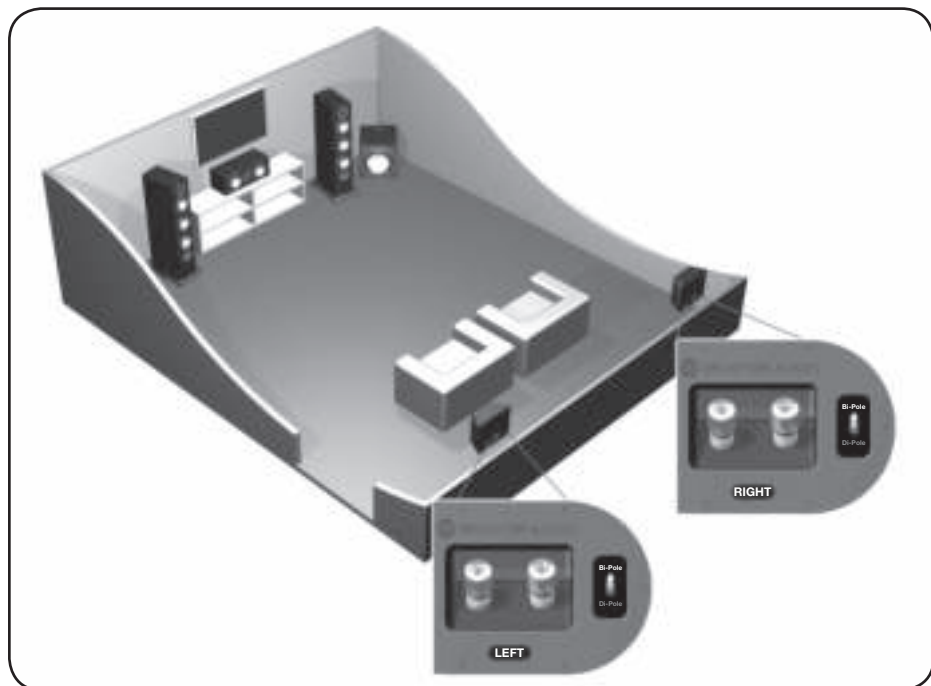
Silver Centre 的定位应该位于您的视角所指向的位置，且其高度约等于您耳朵的高度。如果低于或者高于耳朵高度，使用一些橡胶垫脚（产品有提供小片垫脚）稍微进行调整。

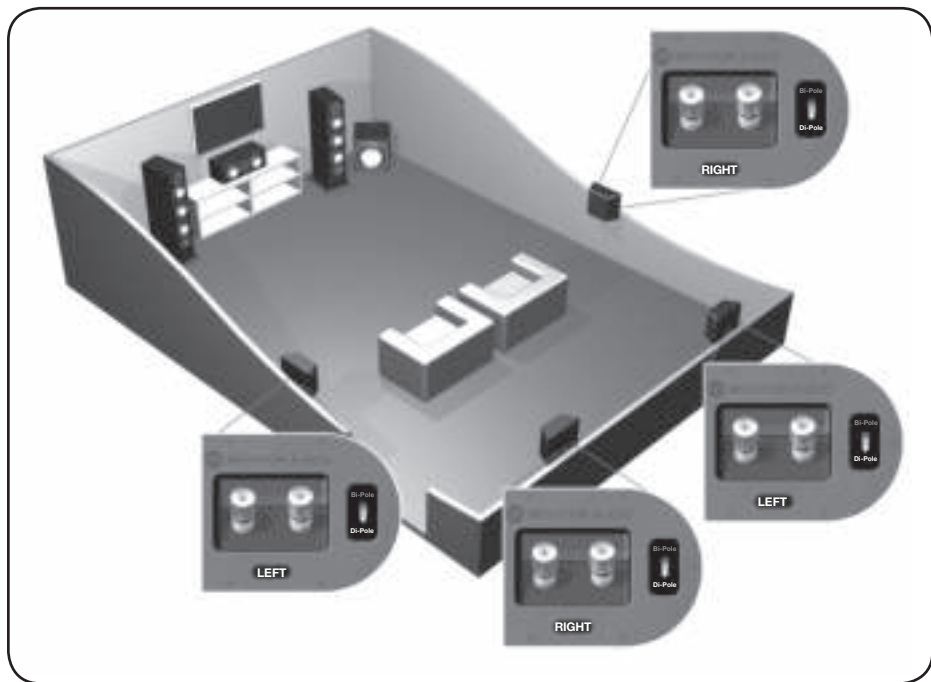
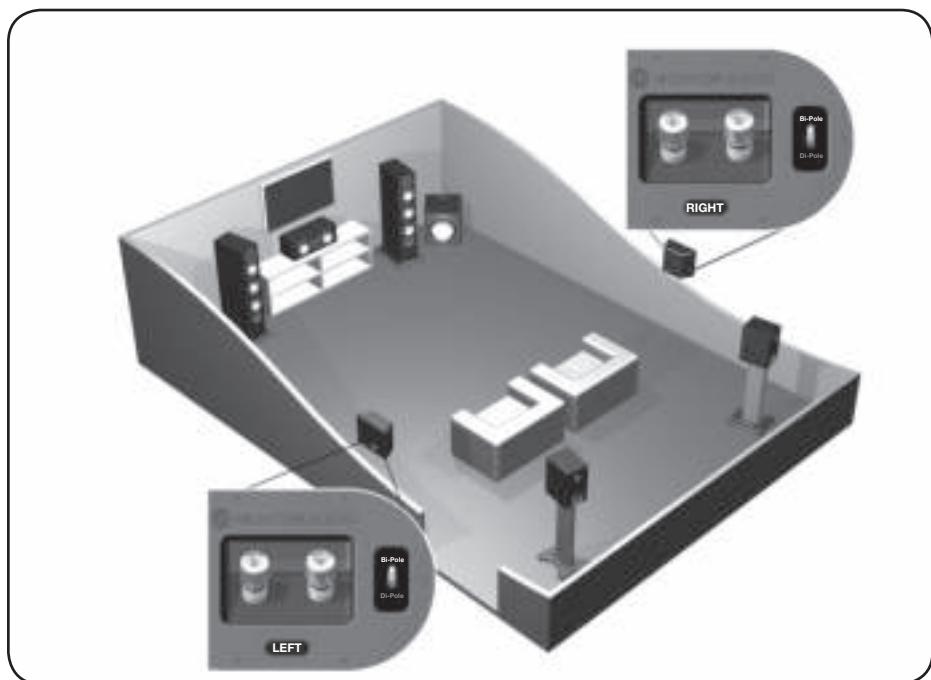
Silver FX 应该根据以下插图说明进行定位，其位置应当比你聆听位置耳朵高度约高2英尺（60厘米）。详细信息请参考第7页。

最佳 AV 扬声器定位



Silver FX 切换配置





最佳 AV 扬声器定位

双声道定位

为便于双声道系统使用，聆听位置以及喇叭应该形成一个等边三角形。扬声器的定位应该大约相距6-10英尺（1.8米 - 3米）。此外，扬声器理想的位置应该离后墙约8-18英寸（20厘米 - 45厘米）并且离侧墙3英尺（1米）。

由于每次安装的环境以及个人偏好有所不同，初次设置扬声器时，强烈建议您进行试验。比如，如果低音效果不够，尝试将扬声器移动得离墙壁近一点，相反，如果低音效果太强，将扬声器移动得离墙壁远一点。此外，关于端口塞子的使用信息，请参考第11页内容。如果立体声像不稳定，尝试稍微将其“倾斜”。声音应该好像是从各扬声器中间的位置发出，而不是从实际的扬声器发出。

设置 Silver FX



注意：当在一个7.1系统中使用两对 Silver FX 时，您需要在后左环绕使用右扬声器并且在后右环绕使用左扬声器。这是因为高频扬声器需进行相位调整。

Silver FX 通常成双成对，但在尤其是右边单元与左边单元除外。右边单元与左边单元均可以配置单极（常规操作）或者偶极模式。原厂设置为单极模式。

在单极模式中，所有扬声器单元（中/低音单元与高频扬声器）的相位都相同。其特性设计专门针对当 Silver FX 在典型的5.1声道系统或者7.1声道系统中设置作为后/环绕扬声器时，对于后/环绕音效功能没有第二对 Silver FX 时而使用。

在偶极模式中，后发高频扬声器的相位与其他高频扬声器以及中/低音单元的相位不同。当使用两对 Silver FX 作为7.1声道系统一部分时，以及 Silver FX 所处位置位于侧墙或者后墙时，适用这种配置的效果最好。请注意，Silver FX 可以左右向旋转。当在单极模式中使用时，这完全不是一个问题。如果在7.1声道系统中使用，Silver FX 必须准确定位。请参照第4页定位章节内容。



注意：在将您的 Silver FX 从单极模式切换到偶极模式之前，请确认连接扬声器与喇叭电线已经断开。这有利于保护您的扩音器。

将 Silver FX 固定于墙壁



警示：您需要确定 Silver FX 固定于墙壁的位置与结构。为安全起见，如果您不确定您是否可以安全固定，不要尝试将这些扬声器固定于墙上，请寻求有资格并能胜任安全固定的专业人士提供相关服务。



警示：在墙装托架的固定位置，请确保其后方没有水管或者供电电缆。采取安全工作措施，并避免拖曳天线。

我们在 Silver FX 中不提供墙壁固定螺丝以及插头。请根据固定 Silver FX 的墙壁构造类型使用合适的配件。

如需将 Silver FX 固定于墙壁上，我们推荐使用在包装纸盒所附的墙壁固定模板。

底座固定

仅适用落地式产品型号

Silver 6、Silver 8 以及 Silver 10 均提供底座以改善稳定性与音响回应。使用所提供的 M10 螺栓将底座固定在适当的位置。如果空间有限，底座无需固定。如果您选择不使用底座，将钉脚的安装指向音箱。

安装底座之前，确保所安装的地面位置没有任何硬物/尖物。为便于安装底座，将音箱倒转，使其底部向上。将底座放于音箱之上，确保定位准确，将底座的螺栓孔对准音箱底座埋母。使用螺栓将底座固定到音箱。在将音箱倒转回来之前，将钉脚安装到底座。底钉用于提升音质以及低音效果。

布框

所有银色系列扬声器的布框遮盖在听觉上都是透明的。在布框以及音箱（Silver FX 除外）里通过隐藏的磁体使布框固定在适当的位置。

安装布框时，首先确认布框正确朝上（标记在底部）并使其朝向音箱，然后将磁体拉到定位位置。

Silver FX 的布框由厂家安装。如果您希望移除布框，请通过指尖提示将布框从音箱中撬起移除。每个音箱安装有三个独立布框。



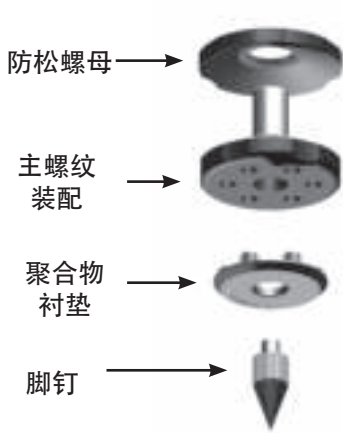
警示：在抬起或者移动音箱之前，请随时记得移除布框。

脚钉

对于地毯地板

仅适用于落地式产品型号

银色系列脚钉融入了在地毯地板中使用的钉脚以及在木地板或者瓷砖地板使用的环保型聚合物衬垫。



请确认地毯下面没有隐藏电线，以免钉脚损坏电线。

支架完全组装用于地毯地板。您只需要将其安装到底座上（或者音箱，如果你选择不使用底座）。脚钉的安装可以通过将螺钉完全接合位于底座/音箱下面的4组螺纹衬套来完成。如果您的地毯较厚，将环保型聚合物衬垫从脚钉移除，以确保脚钉穿过地毯与地面接合。小心翼翼地将音箱正确立起。将音箱置于您所期望的位置，并检查其各个侧面保持水平。如果稍微不达水平状态，在最低点拧开脚钉重新检查。继续重复这一流程，直到音箱完全保持水平为止。在脚钉上使用防松螺母将脚钉固定于适当位置并停止所有不需要的震动。

对于木地板/硬地板

仅适用于落地式产品型号

当在实心地板使用脚钉时或者使用脚钉不便时，可以使用没有脚尖脚钉。如以该方式使用脚钉，请小心夹紧脚钉的滚花部分，然后反时针方向旋转完全拧开脚钉。

先将聚合物衬垫移除，您可以更加方便地夹紧脚钉。在实施上述水平调整之前，应该先将衬垫放置好。



连接扬声器电线

裸线连接

拧开接线柱并将裸线穿过通孔，然后固定接线柱将电线夹紧于适当位置。



单线

将香蕉插头/裸线连接到接线端子。连接顶部、底部或者对角连接（为达最佳效果，建议进行试验）。

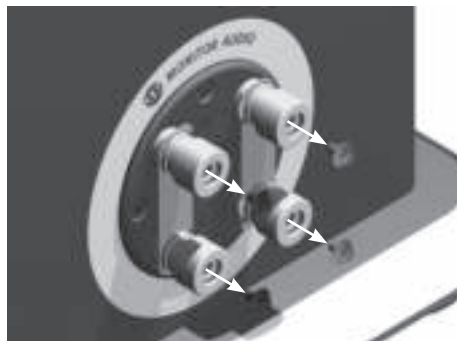


将接线端子连接留在适当位置。



香蕉插头

从接线端子中移除红色和黑色塑料插头并将香蕉插头插入所显露的通孔。可以使用一字型螺丝刀刀片握紧插头。



双线/ 双功放

将香蕉插头/裸线连接到顶部与底部接线端子（正极对正极，负极对负极）。



接线端子连接必须移除。



风管塞子



警告：必须注意不要将风管塞子塞入风管过深，因此塞入过深可能导致塞子遗失在音箱内部。

如果音箱安装于小房间，典型的9平方米（80平方英尺）大小，或者已知可以复制加重低音相应的房间，可能需要安装风管塞子。然而，在安装之前，建议在房间里对于音箱的定位进行试验。为最佳优化音箱性能，确保音箱的定位没有过于靠近墙壁或者靠近房间角落（参考第4页与第7页所提建议）。

如果房间的审美设计或者布局预先决定了音箱定位，或者体验到加重低音，请继续，对于 Silver 1 与 Silver 2，请参阅以下第1点；对于 Silver 6、Silver 8 与 Silver 10，请参阅以下第2点。

1. 当将书架式/站立式扬声器（Silver 1 & Silver 2）放置于离后墙距离少于8英寸/20厘米时（如放置于书架上、定位于音箱里、或者放置于靠近墙的支架），我们建议在风管里安装风管塞子。这会降低低音“回响”并协助音箱在当前环境条件下复制其最佳性能。
2. 当将落地式音箱（Silver 6、Silver 8 & Silver 10）放置于离后墙距离少于18英寸/45厘米时，我们建议在风管里安装风管塞子。这会降低低音“回响”并协助音箱在当前环境条件下复制其最佳性能。

什么是低音回响？

低音‘回响’（有时表述为低音延伸）通常起源于音箱‘兴奋’空间模式的低音能源，并在特定频率或者多个频率中加重低音效果。

当安装风管塞子时，整体低音延伸不会降低，然而，风管附近的低音能源/输出的调谐频率将会降低。具有降低低音‘回响’的同时提高低音清晰度与表面灵敏度的效果。

强烈建议进行试验。

试运行

音箱在达到最佳效果之前需要进行标准的“试运行”。银色系列的试运行过程大约需要60-70小时的重放。在试运行过程中，建议不要急于将音箱调校至高水准，因为这样可能会损坏喇叭。在此期间，你会留意到声音开始释放，并越来越清晰、越来越紧密、且更容易控制。

机种	Silver 1	Silver 2	Silver 6	Silver 8	Silver 10	Silver Centre	Silver FX
系统格式	双声道	双声道	2.5声道	三声道	三声道	双声道(中-高-中)	双声道
频率响应	45Hz - 35KHz	40Hz - 35KHz	35Hz - 35KHz	32Hz - 35KHz	30Hz - 35KHz	45Hz - 35KHz	60Hz - 35KHz
灵敏度 (1W@1M)	87dB	88dB	90dB	90dB	90dB	90dB	87dB
额定阻抗	80hms	80hms	80hms	40hms	40hms	80hms	80hms
最高声压级	110.8dBA (对)	112.6dBA (对)	115.5dBA (对)	116.8dBA (对)	117.8dBA (对)	112.5dBA	110.1dBA (对)
额定功率 (RMS) 瓦特	100W	120W	150W	200W	250W	150W	85W
推荐扩音器要求 (RMS)	40 - 100W	40 - 120W	60 - 150W	80 - 200W	80 - 200W	60-150W	40-85W
低音校准	低音反射。 蜂巢端口系统。	低音反射。 蜂巢端口系统。	不同调谐双重空间低音 反射。双蜂巢端口系统。	低音反射。 双蜂巢端口系统。	低音反射。 双蜂巢端口系统。	密封机箱。	密封机箱。
分音器频率	3.0KHz	2.0KHz	L.F: 700Hz M.F/H.F: 2.7KHz	L.F/M.F: 500Hz M.F/H.F: 2.7KHz	L.F/M.F: 550Hz M.F/H.F: 2.7KHz	2.6KHz	2.2KHz
驱动单元补充	1 x 6" RST 低音/中音驱动 1 x 1" (25 mm) 金圆顶 C-CAM 高频扬声器	1 x 8" RST 低音/中音驱动 1 x 1" (25 mm) 金圆顶 C-CAM 高频扬声器	1 x 6" RST 低音驱动 1 x 4" RST 低音/中音驱动 1 x 1" (25 mm) 金圆顶 C-CAM tweeter	2 x 6" RST 低音驱动 1 x 4" RST 中音驱动 1 x 1" (25 mm) 金圆顶 C-CAM tweeter	2 x 8" RST 低音驱动 1 x 4" RST 中音驱动 1 x 1" (25 mm) 金圆顶 C-CAM tweeter	2 x 6" RST 低音/中音驱动 1 x 1" (25 mm) 金圆顶 C-CAM 高频扬声器	1 x 6" RST 低音/中音驱动 1 x 1" (25 mm) 金圆顶 C-CAM 高频扬声器
机箱尺寸(不含布框、接线 端子和底座) (高 x 宽 x 深)	312 x 185 x 240mm 12 5/16 x 7 3/16 x 9 7/16 Inch	375 x 230 x 300mm 14 3/4 x 9 1/8 x 11 13/16 Inch	885 x 185 x 240mm 34 3/8 x 7 3/8 x 9 7/16 Inch	1000 x 185 x 300mm 39 3/8 x 7 3/8 x 11 13/16 Inch	1050 x 230 x 300mm 41 5/16 x 9 1/8 x 11 13/16 Inch	185 x 500 x 200mm 7 3/16 x 19 11/16 x 7 7/8 Inch	250 x 311 x 130mm 9 13/16 x 12 1/4 x 5 1/8 Inch
外部尺寸(包含接线端口) (高 x 宽 x 深)	312 x 185 x 263mm 12 5/16 x 7 3/16 x 10 5/8 Inch	375 x 230 x 323mm 14 3/4 x 9 1/8 x 12 11/16 Inch	885 x 185 x 263mm 34 3/8 x 7 3/8 x 10 5/8 Inch	1000 x 185 x 323mm 39 3/8 x 7 3/8 x 12 11/16 Inch	1050 x 230 x 323mm 41 5/16 x 9 1/8 x 12 11/16 Inch	185 x 500 x 223mm 7 3/16 x 19 11/16 x 8 3/4 Inch	250 x 311 x 130mm 9 13/16 x 12 1/4 x 5 1/8 Inch
外部尺寸(包含布框和接 线端口)(高 x 宽 x 深)	312 x 185 x 275mm 12 5/16 x 7 3/16 x 10 13/16 Inch	375 x 230 x 335mm 14 3/4 x 9 1/8 x 13 3/16 Inch	885 x 185 x 275mm 34 3/8 x 7 3/8 x 10 13/16 Inch	1000 x 185 x 335mm 39 3/8 x 7 3/8 x 13 3/16 Inch	1050 x 230 x 335mm 41 5/16 x 9 1/8 x 13 3/16 Inch	185 x 500 x 235mm 7 3/16 x 19 11/16 x 9 1/4 Inch	250 x 311 x 143mm 9 13/16 x 12 1/4 x 5 5/8 Inch
外部尺寸(包含底座和脚 钉)(高 x 宽 x 深)	N/A	N/A	936 x 245 x 300mm 36 7/8 x 9 5/8 x 11 13/16 Inch	1021 x 245 x 360mm 40 3/16 x 9 5/8 x 14 3/16 Inch	1071 x 290 x 360mm 42 3/16 x 11 7/16 x 14 3/16 Inch	N/A	N/A
重量(每个)	6.95kg (15lb 4oz)	9.7kg (21lb 6oz)	16.5kg (40lb 8oz)	23.83kg (51lb 6oz)	26.03kg (57lb 4oz)	9.6kg (21lb 2oz)	5.1kg (11lb 4oz)



Monitor Audio Ltd.
24 Brook Road
Rayleigh, Essex
SS6 7XJ
England
Tel: +44 (0)1268 740580
Fax: +44 (0)1268 740589
Email: info@monitoraudio.co.uk

monitoraudio.com

Designed and Engineered in the
United Kingdom, made in China

© 2013. Version 1

Silver **series**

руководство по эксплуатации

Содержание

Содержание	113
Введение	114
Silver 1	115
Silver 2	115
Silver 6	115
Silver 8	115
Silver 10	115
Silver Centre	115
Silver FX	115
Подключение и настройка	116
Размещение в составе домашнего кинотеатра	116
Схема оптимального размещения	116
Положения переключателей Silver FX	117
Размещение в стереосистеме	119
Подключение и настройка Silver FX	119
Крепление Silver FX к стене	120
Крепление оснований (только для напольных АС)	120
Грили	120
Шипы-опоры	121
Для ковровых покрытий (только для напольных АС)	121
Для твёрдых полов (только для напольных АС)	121
Подключение акустических кабелей	122
Зачищенные жилы	122
Один провод	122
Разъёмы типа «банан»	122
Подключение bi-wire/bi-amp	122
Заглушки портов	123
Приработка	123
Технические характеристики	124

Введение

Модели новой серии Silver демонстрируют дальнейшее развитие искусства проектирования кустических систем средней ценовой категории. В конструкции колонок использованы некоторые технологии старших серий. И хотя модели Silver 1, 2, 6, Centre и FX сохранили компоновку своих предшественников из линейки RX, Silver 8 стал по сравнению с прототипом полностью трёхполосной, Silver 10 – новинка в семействе Silver – новая колонка с двумя низкочастотными динамиками 8" ещё более динамично озвучивает большие помещения.

Новые динамики средних и низких частот

Использованные в динамиках серии Silver рифлёные диффузоры из материала C-CAM®, выполненные по технологии RST® (Rigid Surface Technology), имеют форму непрерывно радиально сходящейся из центра тарелки, площадь и прочность которой больше по определению.

Модели Silver 8 и 10 оснащены новым 4" среднечастотным динамиком, работающим в собственном мотизированном корпусе. Короткая звуковая трубка «подвешена снизу» относительно мотизированного зор, что гарантирует постоянное движение к трубке внутри зора, обеспечивая меньшую модуляцию и ничтожные искажения.

Новый высокочастотный динамик

В конструкции нового 25-мм твитера C-CAM® устранены искажения, вызываемые сжатием воздуха в заднем чашечном куполе: воздух выпускается в большую камеру, значительно снижая резонансы и улучшая общее демпфирование. АЧХ нового твитера более точна в нижней диапазоне воспроизводимых им частот. Благодаря усовершенствованной геометрии диффузора и приводного механизма улучшено расширение верхних частот и уменьшен перепад между частотными полосами.

Другие конструктивные особенности

В моделях серии Silver сохранён принцип крепления динамиков одним болтом, уменьшающий окрещивание звука, который использовался в линейке RX. Каждый болт работает как жёсткая стяжка и одновременно делает ненужными традиционные элементы крепления, эффективно разделяя динамик и переднюю стенку корпуса.



ПРИМЕЧАНИЕ: Если со временем затяжка этого болта ослабнет, подтяните его торцевым ключом, входящим в комплект поставки. Для этого достаточно точно дотянуть болт после его ощутимой фиксации ещё на четверть оборота.

Из конструкции моделей серии Platinum заимствован фирменный порт HiVe – он используется на всех моделях, кроме Centre, FX и сабвуфера W12. Он резка в канале ускоряет воздушный поток и уменьшает турбулентность. В кроссоверах применяются конденсаторы на основе полипропиленовой пленки и катушки индуктивности с сердечниками из пермагнитного сплава, что обеспечивает высокую чувствительность, пониженный уровень искажений и повышенное сопротивление.

Silver 1

Компактная колонка Silver 1 оснащена 6" СЧ/НЧ-динамиком C-CAM с рифлённым диффузором RST и имеет классическую двухполосную мониторинговую конфигурацию. Высокая выходная мощность и динамик звучания делают Silver 1 идеальным выбором для использования в комнатах средних и средних размеров в составе стереосистем или многоканальных систем домашнего кинотеатра.

Silver 2

Silver 2 оснащён мощным 8" СЧ/НЧ-динамиком C-CAM с диффузором RST и имеет компактную двухполосную конструкцию для размещения на стойке. Повышенная общая эффективность обеспечивает превосходный звук по динамическому диапазону и усиленный бас, обычно ассоциирующиеся с полными моделями. Великолепное звуковое представление, высокая выходная мощность и выдающийся динамик позволяют использовать эту колонку в комнатах средних и больших размеров в составе стереосистем или систем домашнего кинотеатра.

Silver 6

В Silver 6 использованы 6" НЧ-динамик C-CAM RST и 6" СЧ/НЧ-динамик C-CAM RST в 2.5-полосной конфигурации. Динамики расположены в отдельных кустических камерах внутри корпуса, обеспечивающего их надёжную установку для повышения эффективности и улучшения воспроизведения низких частот. Превосходный динамик, естественный характер звучания и плотный бас делают эти колонки превосходным исполнителем музыки и звукового сопровождения фильмов.

Silver 8

Трёхполосная конструкция Silver 8 использует новый 4" СЧ-динамик C-CAM RST и 6" длинноходные НЧ-динамики C-CAM RST. Конфигурация оптимизирована для повышения точности воспроизведения в критической полосе частот с целью их более корректной передачи и усиления баса. Высокий стройный корпус и улучшенное демпфирование расширяют возможности размещения в комнате, повышенные чувствительность и сопротивление делают звук более динамичным.

Silver 10

Silver 10 – совершенно новая модель, крупногабаритная трёхполосная система типа Tower. 4" СЧ-динамик C-CAM RST дополнен 8" длинноходными НЧ-динамиками C-CAM RST. Увеличенный размер вуфера позволяет полноценно использовать Silver 10 в комнатах с высокими потолками.

Silver Centre

Компактная кустическая центральная колонка Silver Centre оснащена двумя 6" СЧ/НЧ-динамиками C-CAM RST в традиционной компоновке с твитером посередине. Колонка согласована по тембру с другими моделями серии Silver для формирования «бесшовной» фронтальной звуковой сцены в многоканальных конфигурациях.

Silver FX

Продуманная конструкция Silver FX с наклонной передней стенкой включает один установленный спереди 6" СЧ/НЧ-динамик C-CAM RST и два расположенных по бокам твитера C-CAM. Возможны установка в боковые или задние стены, характеристики рассеивания звуковых волн изменяются переключением режимов.

Подключение и настройка

Размещение в составе домашнего кинотеатра

Н иллюстр циях пок з ны оптим льное р змещение и р зличные рекомендуемые конфигу р ции помещения для прослушив ния и просмотр аудио-видео контент . Н стр нице 7 приведены рекоменд ции по конфигуриров нию стереосистемы.

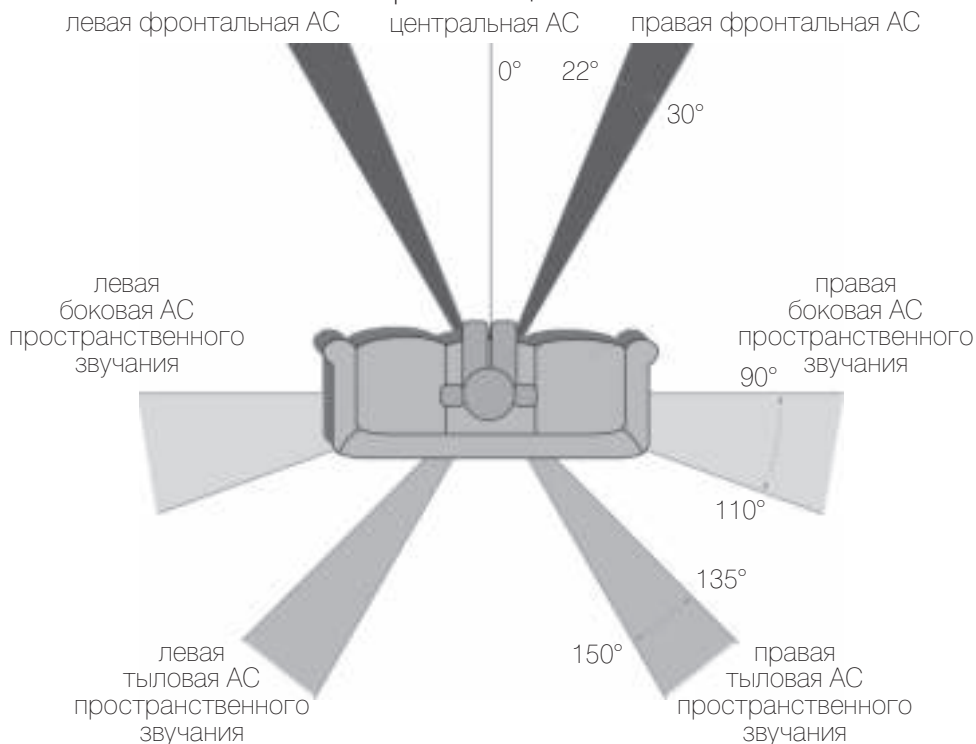
Фронт льные и в некоторых случ ях тыловые колонки должны р спол г ться н р сстоянии примерно 1.8 – 2.5 м друг от друг и к к минимум в 25 см от стены.

Если при воспроизведении звук перен сьщен б с ми или в комн те слышен гул, поэкспериментируйте, перемещ я колонки н небольшие р сстояния от стен. Если это невозможно, попробуйте вст вить в ф зоинверторные порты входящие в комплект пост вки з глушки (к Silver FX и Centre не прил г ются). См. стр. 11.

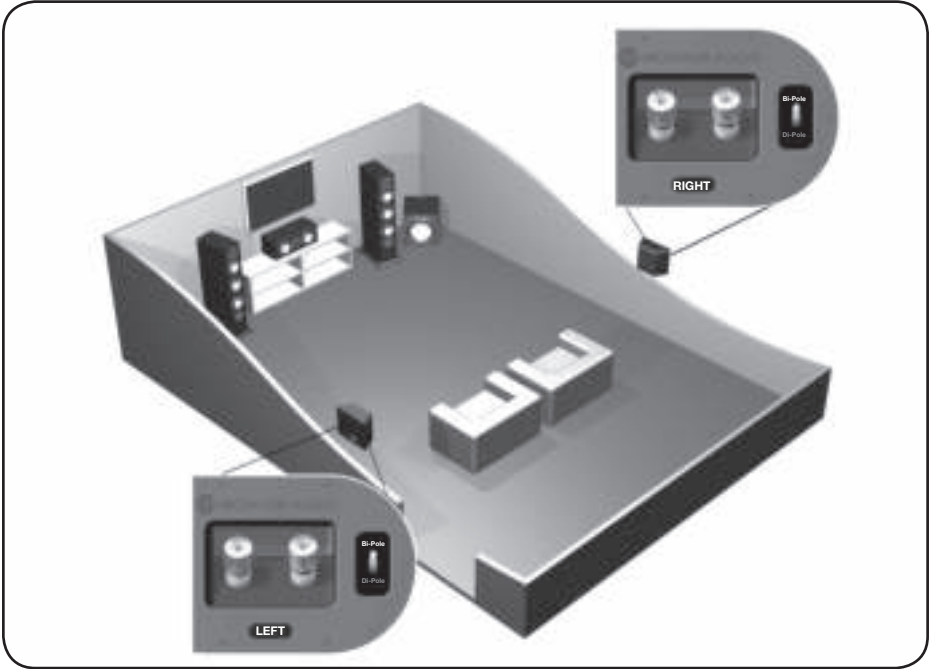
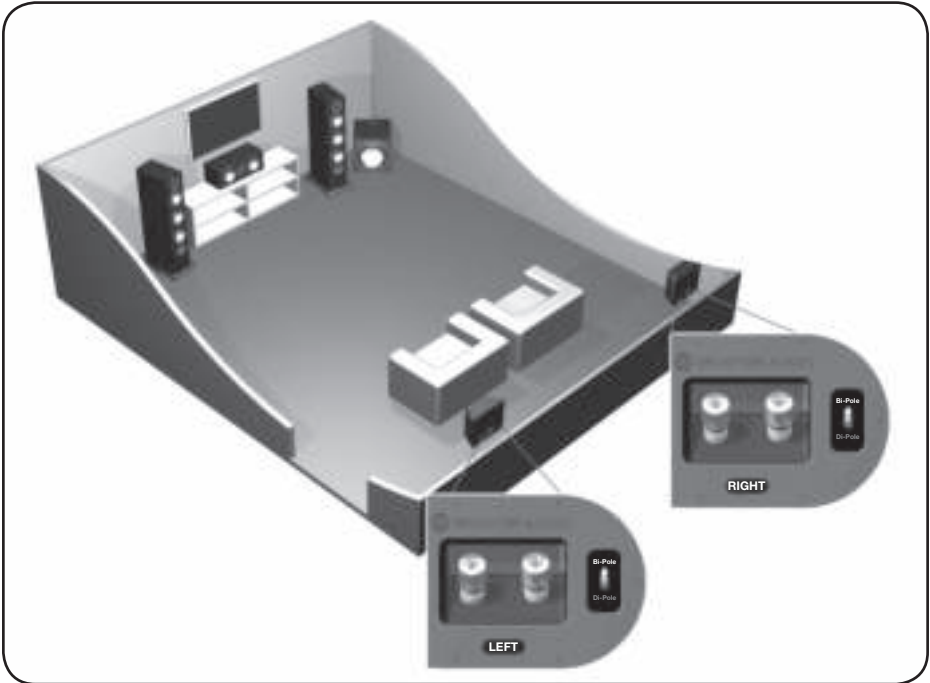
Центр льн я АС должн быть н пр влен прямо н слуш теля и н ходиться примерно н высоте ушей. Используйте прил г емые резиновые опоры, чтобы немного скорректиров ть н клон.

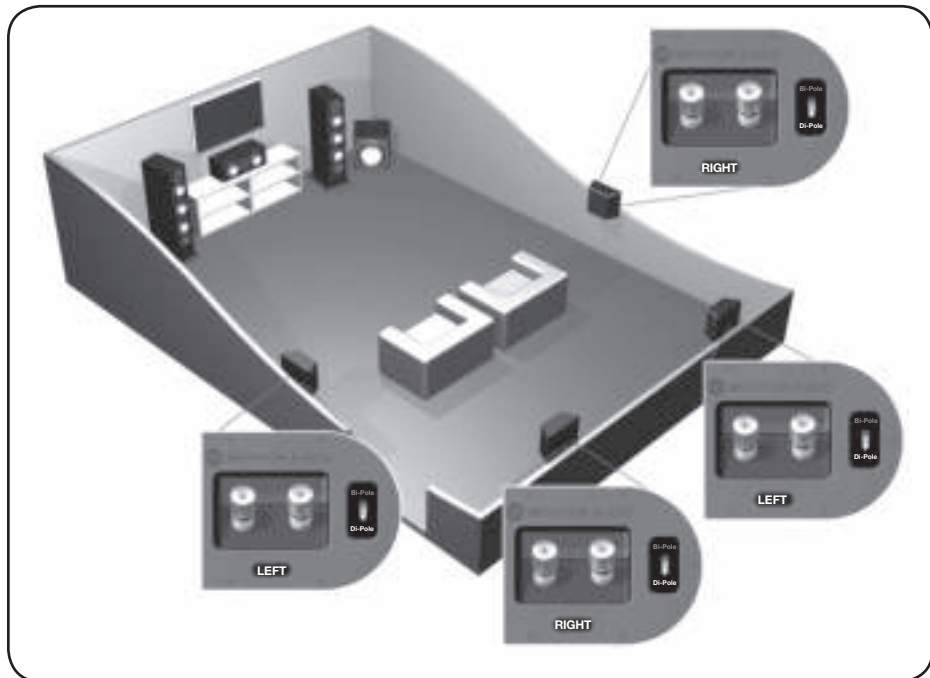
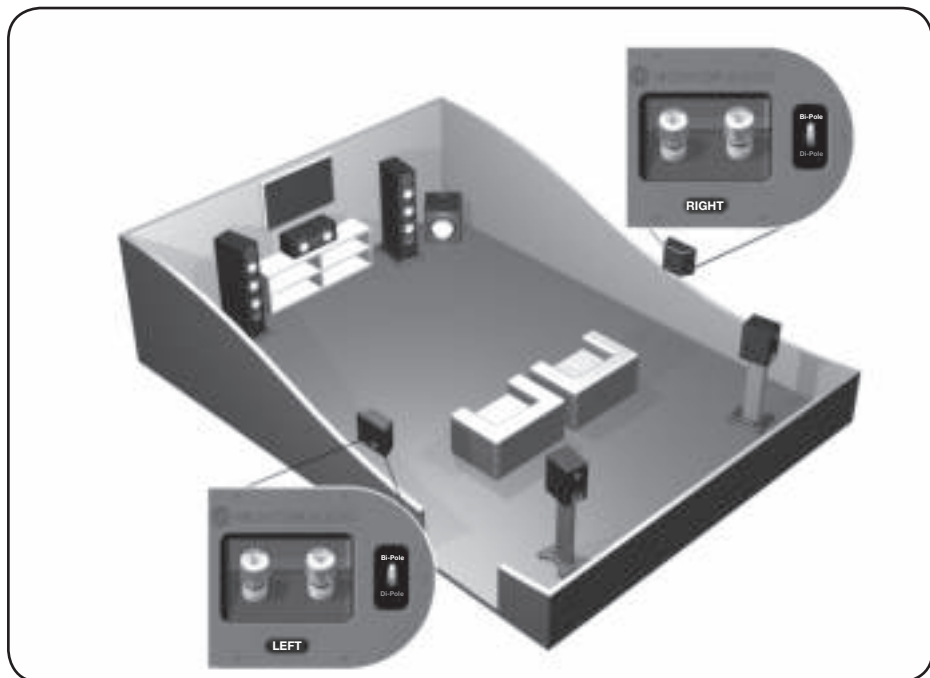
Silver FX должны быть р сположены примерно н 60 см выше уровня ушей слуш теля. Для получения дополнительной информ ции см. стр. 7.

Схема оптимального размещения



Положения переключателей Silver FX





Размещение в стереосистеме

В двухканальной системе позиция прослушивания и кустик должны образовать вносторонний треугольник. Колонки следует расположить в состоянии примерно 1.8 – 3 м друг от друга. Идеальное состояние от задней стены до АС должно составлять 20 – 45 см, от боковых стен – 1 м.

При размещении колонок настоятельно рекомендуем поэкспериментировать: оптимальные характеристики индивидуальны для разных слушателей. Если, например, слух недостаточно боеспособен, попробуйте переместить колонки ближе к стене. Если присутствие боеспособности чрезмерно, сделайте наоборот. Кроме того, прочтите страницу 11 информации, касающуюся глушечных портов. Если у вас стереосистема, попробуйте немного развернуть колонки вовнутрь. Звук должен восприниматься как исходящий из центральной точки между АС, а не из самих АС.

Подключение и настройка Silver FX



ПРИМЕЧАНИЕ: При использовании двухканальной Silver FX в 7.1-канальной системе домашнего кинотеатра для тыловой колонки необходимо использовать для левого тылового канала пространственного звучания, левую – для правого тылового канала. Это обусловлено форматом твитеров.

Акустические системы Silver FX работают в паре, но одна воспроизводит сигнал левого, другая – правого канала. Обе АС можно строить и работать в бипольном (обычном) или дипольном режиме. Обратитесь к руководству пользователя для бипольного режима.

В бипольном режиме все динамики (средне-низкочастотные и высокочастотные) работают по фазе. Этой особенностью предусмотрено использование FX как тыловых или боковых колонок пространственного звучания в типовой 5.1-канальной системе или в 7.1-канальной системе без второй пары FX для тыловых или боковых каналов пространственного звучания.

В дипольном режиме твитеры, излучающие вперед, не работают по фазе с другим твитером и СЧ/НЧ-динамиком. Рекомендуем реализовать эту конфигурацию в случае использования двухканальной FX в составе 7.1-канальной системы, прикрепив FX к боковым и задней стенкам. Имейте в виду, что одна из FX считается левый, другая – правый канал. При использовании в бипольном режиме это не является проблемой. При использовании в 7.1-канальной системе очень важно правильное расположение колонок. См. стр. 4.



ПРИМЕЧАНИЕ: Прежде чем переключать акустические системы FX с бипольного режима на дипольный, обязательно отсоедините акустические кабели от колонок во избежание повреждения усилителя.

Крепление Silver FX к стене



ОСТОРОЖНО: определите заранее место крепления Silver FX, и выясните структуру стены. Если вы не уверены, что способны выполнить безопасное крепление самостоятельно, воспользуйтесь услугами специалиста.



ОСТОРОЖНО: Убедитесь, что в месте крепления колонок не проходят водопроводные трубы или электрические кабели. Проверьте наличие безопасной стремянки и не тяните за провод.

Винты и дюбели для крепления к стене в комплект не входят. Используйте крепежную фурнитуру, соответствующую типу конструкции стены, к которой будут крепиться FX.

Рекомендуем использовать прилагательный крепежный шпатель!

Крепление оснований (только для напольных АС)

К моделям Silver 6, 8 и 10 прилагаются основания, предназначенные для кустических систем дополнительной устойчивости и улучшающие их кустические характеристики. Для крепления оснований используются прилагаемые болты M10. Основания не являются обязательным компонентом, и, если возможно, сэкономить свободное пространство, их можно не устанавливать. Если вы не хотите устанавливать основания, прикрепите опоры-шпильки непосредственно к корпусам кустических систем.

Убедитесь, что на полу нет твердых или острых предметов. Для крепления оснований переверните кустическую систему. Поместите основание на корпус, следя за тем, чтобы оно было правильно сориентировано: отверстия под болты в основании должны быть совмещены со шпильками в корпусе. Вкрутите и полностью затяните болты, убедившись, что основание надежно прилегает к корпусу. Прежде чем перевернуть кустическую систему обратно, прикрепите к основанию шпильки-опоры (см. следующий раздел): они улучшают общее качество звучания колонок.

Грибли

Ко всем моделям серии Silver прилагаются грибли – защитные решетки из кустически прозрачного пластика. Грибли удерживаются на месте магнитами (кроме FX).

Прикрепляя грибли, сначала убедитесь, что они правильно сориентированы (фирменный значок должен быть снизу), и приложите их к корпусам. Магниты притянут грибли и зафиксируют их на месте.

Модель FX продается с гриблями, установленными из заводского изготовителя. Если вы хотите их отсоединить, аккуратно отведите их от корпусных контактов пальцем. Для крепления к корпусу каждой АС имеются три отдельных грибли.

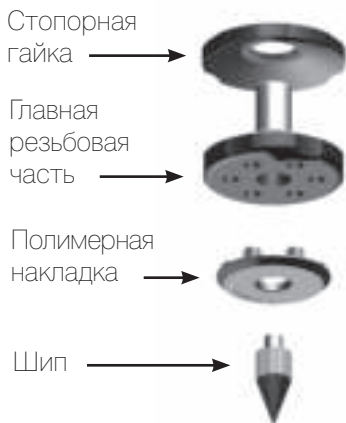


ОСТОРОЖНО: Обязательно отсоединяйте грибли перед перемещением кустических систем.

Шипы-опоры

Для ковровых покрытий (только для напольных АС)

Шипы-опоры для моделей серии Silver включают в себя шип для уст новки н ковровом покрытии и мягкую полимерную подкладку для уст новки н твёрдом полу.



Убедитесь, что под ковром нет скрытых кбелей, которые могут быть повреждены шипами.

Опоры поствляются собранными для уст новки н полу с ковровым покрытием. Прикрепите их к колонке, полностью вкрутив опоры в 4 резьбовые втулки в нижней части основания или корпус. Если у ковра очень толстый ворс, отсоедините мягкие полимерные подкладки, чтобы шипы, проходя сквозь ковер, упирлись в пол. Установите колонки в выбранном месте с ровной поверхностью. При наличии неровности слегка выкрутите соответствующую опору и попробуйте установить колонку снова. Продолжайте эту процедуру до тех пор, пока все АС не будут стоять абсолютно ровно. Используйте стопорные гайки для фиксации опоры и предотвращения любых нежелательных вибраций.

Для твёрдых полов (только для напольных АС)

Для использования на твёрдом полу или там, где шипы непригодны, опоры можно использовать без шипов. Для этого аккуратно возьмитесь за рифлёную часть шипа и поверните шип против часовой стрелки до полного извлечения из опоры.

Вы можете удалить полимерные подкладки, если считаете использование одних только шипов более выигрышным вариантом. В этом случае подкладки необходимо удалить до выполнения описанной выше процедуры выравнивания.



Подключение акустических кабелей

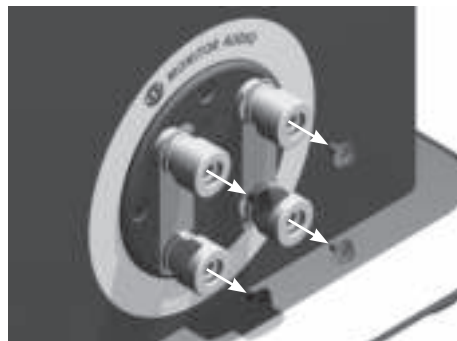
Зачищенные жилы

Открутите прижимные элементы клемм, пропустите зачищенные жилы к банелей через сквозные отверстия и затяните прижимные элементы клемм, чтобы плотно зафиксировать к банели.



Разъемы типа «банан»

Снимите с клемм пластиковые стиковые заглушки и вставьте разъемы «банан» в отверстия. Для плотной фиксации разъемов может потребоваться нож или отвертка с плоским лезвием.



Один провод

Подсоедините разъемы «банан» или зачищенные жилы к банелей к клеммам. Выполните подключение сверху, снизу или по диагонали (желательно поэкспериментировать).



Не отсоединяйте межклеммные перемычки.



ОБЯЗАТЕЛЬНО отсоедините межклеммные перемычки



Заглушки портов



ПРЕДУПРЕЖДЕНИЕ: Не вставляйте заглушки в порты слишком глубоко – вставка из пеноматериала может провалиться внутрь корпуса.

Если колонки устанавливаются в маленькой комнате (площадь менее 9 м²) или помещении, где отсутствуют нижние частоты излишней концентрации, может возникнуть целесообразной установка заглушек. Тем не менее, прежде чем их устанавливать, рекомендуем поэкспериментировать с размещением кустических систем в данной конкретной комнате. Для того, чтобы характеристики кустических систем были оптимальными, не располагайте их слишком близко к стенам или вблизи углов комнаты (см. рекомендации на стр. 4 и 7).

Если расположение кустических систем predetermined интерьером или конфигурацией помещения, либо вы считаете, что бас воспроизводится чрезмерно интенсивно, прочтите приведенный ниже пункт 1 для Silver 1 и 2 или пункт 2 для Silver 6, 8 и 10.

1. Если полочные колонки (Silver 1 или 2) должны располагаться на некотором расстоянии (до 20 см) от задних стен (например, на полке или на стойке близко к стене), рекомендуем вставить в порты прилагаемые заглушки. Это уменьшит басовый гул и позволит динамик работать оптимальным в имеющихся условиях размещения.
2. Если напольные колонки (Silver 6, 8 или 10) должны располагаться на некотором расстоянии (до 45 см) от задних стен, рекомендуем вставить прилагаемые заглушки. Это уменьшит басовый гул и позволит динамик работать оптимальным в имеющихся условиях размещения.

Что такое басовый гул?

Басовый гул (иногда называемый послезвучием) обычно появляется тогда, когда низкочастотная энергия динамик возбуждает собственные резонансы помещения и создает эффект концентрации какой-то определенной частоте или группе частот.

Когда в порты вставлены заглушки, общая глубина баса не уменьшается, однако создается дополнительный энергетик вблизи частоты истройки портов при этом меньше, уменьшается басовый гул и бас становится чище и динамичнее.

Нам настоятельно рекомендуем поэкспериментировать.

Приработка

Для достижения оптимальных характеристик колонки должны в течение некоторого времени «прирабататься». Модели серии Silver требуют 60 – 70 часов приработки. В процессе не рекомендуется задавать высокие уровни громкости – это может привести к повреждению колонок. Вы заметите, как звучание раскрывается во всей своей полноте, становится чище, плотнее и гораздо более управляемым.

МОДЕЛЬ	Silver 1	Silver 2	Silver 6	Silver 8	Silver 10	Silver Centre	Silver FX
Тип	двулопастная	двулопастная	2,5-лопастная	трёхлопастная	трёхлопастная	двулопастная	двулопастная
Частотный диапазон	45 Гц – 36 кГц	40 Гц – 36 кГц	35 Гц – 35 кГц	32 Гц – 35 кГц	30 Гц – 35 кГц	45 Гц – 35 кГц	60 Гц – 35 кГц
Чувствительность (1 Вт на 1 м)	87 дБ	88 дБ	90 дБ	90 дБ	90 дБ	90 дБ	87 дБ
Сопровождение	8 Ом	8 Ом	8 Ом	4 Ом	4 Ом	8 Ом	8 Ом
Макс. уровень зв. давл.	110,8 дБА (парал.)	112,6 дБА (парал.)	115,5 дБА (парал.)	116,8 дБА (парал.)	117,8 дБА (парал.)	112,5 дБА	110,1 дБА (парал.)
Максимальная мощность (RMS)	100 Вт	120 Вт	150 Вт	200 Вт	250 Вт	150 Вт	85 Вт
Рекомендуемая мощность усилителя (RMS)	40 – 100 Вт	40 – 120 Вт	60 – 150 Вт	80 – 200 Вт	80 – 200 Вт	60 – 150 Вт	40 – 85 Вт
Акустическое оформление	фазоинвертор, порт HiVe	фазоинвертор, порт HiVe	двуязык, фазоинв. с разд. настройкой, двойной порт HiVe	фазоинвертор, двойной порт HiVe	фазоинвертор, двойной порт HiVe	закрытый корпус	закрытый корпус
Частоты среза кроссовера	3,0 кГц	2,0 кГц	НЧ, 700 Гц СЧ/ВЧ, 2,7 кГц	НЧ/СЧ, 500 Гц СЧ/ВЧ, 2,7 кГц	НЧ/СЧ, 550 Гц СЧ/ВЧ, 2,7 кГц	2,6 кГц	2,2 кГц
Динамики	СЧ/НЧ, 1 x 6" FST® ВЧ, 1 x 25 мм С-САМ® золотой купол	СЧ/НЧ, 1 x 8" FST® ВЧ, 1 x 25 мм С-САМ® золотой купол	НЧ, 1 x 6" FST® СЧ/НЧ, 1 x 6" FST® ВЧ, 1 x 25 мм С-САМ® золотой купол	НЧ, 2 x 6" FST® СЧ/НЧ, 1 x 4" FST® ВЧ, 1 x 25 мм С-САМ® золотой купол	НЧ, 2 x 8" FST® СЧ/НЧ, 1 x 4" FST® ВЧ, 1 x 25 мм С-САМ® золотой купол	СЧ/НЧ, 2 x 6" FST® ВЧ, 1 x 25 мм С-САМ® золотой купол	СЧ/НЧ, 1 x 6" FST® ВЧ, 2 x 25 мм С-САМ® золотой купол
Габариты корпуса, без учёта гриля, клемм и основания (В x Ш x Г)	312 x 185 x 240 мм	375 x 230 x 300 мм	885 x 185 x 240 мм	1000 x 185 x 300 мм	1050 x 230 x 300 мм	185 x 500 x 200 мм	250 x 311 x 130 мм
Внешние габариты, включая разъёмы (В x Ш x Г)	312 x 185 x 263 мм	375 x 230 x 323 мм	885 x 185 x 263 мм	1000 x 185 x 323 мм	1050 x 230 x 323 мм	185 x 500 x 223 мм	250 x 311 x 130 мм
Внешние габариты, включая гриль и разъёмы (В x Ш x Г)	312 x 185 x 275 мм	375 x 230 x 335 мм	885 x 185 x 275 мм	1000 x 185 x 335 мм	1050 x 230 x 335 мм	185 x 500 x 235 мм	250 x 311 x 143 мм
Внешние габариты, включая основание и шпиль (В x Ш x Г)	—	—	936 x 245 x 300 мм	1021 x 245 x 360 мм	1071 x 290 x 360 мм	—	—
Вес одной колонки	6,95кг (15lb 4oz)	9,7кг (21lb 6oz)	16,5кг (40lb 8oz)	23,33кг (51lb 6oz)	26,08кг (57lb 4oz)	9,6кг (21lb 2oz)	5,1кг (11lb 4oz)



Monitor Audio Ltd.
24 Brook Road
Rayleigh, Essex
SS6 7XJ
England
Tel: +44 (0)1268 740580
Fax: +44 (0)1268 740589
Email: info@monitoraudio.co.uk

monitoraudio.com

Р зр бот но в Великобрит нии
Сдел но в Кит е

© 2013. Version 1



Monitor Audio Ltd.
24 Brook Road
Rayleigh, Essex
SS6 7XJ
England
Tel: +44 (0)1268 740580
Fax: +44 (0)1268 740589
Email: info@monitoraudio.co.uk

monitoraudio.com

Designed and Engineered in the
United Kingdom, made in China

© 2013. Version 1