

Pioneer

BDP-LX88
BDP-LX88-K
BDP-LX88-S
BDP-LX58
BDP-LX58-K
BDP-LX58-S

Blu-ray 3D™ PLAYER



For customers in Europe:

Discover the benefits of registering your product online at

<http://www.pioneer.co.uk> (or <http://www.pioneer.eu>)

Download an electronic version of this manual from our website.

Operating Instructions

Thank you for buying this Pioneer product. Please read through these operating instructions so you will know how to operate your model properly. After you have finished reading the instructions, put them away in a safe place for future reference.

CAUTION

TO PREVENT THE RISK OF ELECTRIC SHOCK, DO NOT REMOVE COVER (OR BACK). NO USER-SERVICEABLE PARTS INSIDE. REFER SERVICING TO QUALIFIED SERVICE PERSONNEL.

D3-4-2-1-1_B1_En

CAUTION

This product is a class 1 laser product classified under the Safety of laser products, IEC 60825-1:2007, but this product contains a laser diode higher than Class 1. To ensure continued safety, do not remove any covers or attempt to gain access to the inside of the product.

Refer all servicing to qualified personnel.

CLASS 1 LASER PRODUCT

The following caution label appears on your unit.
Location: inside of the unit

**CAUTION – CLASS 2 LASER
RADIATION WHEN OPEN
DO NOT STARE INTO THE BEAM**

D58-5-2-2b*_B1_En

Operating Environment

Operating environment temperature and humidity:
+5 °C to +35 °C (+41 °F to +95 °F); less than 85 %RH
(cooling vents not blocked)

Do not install this unit in a poorly ventilated area, or in locations exposed to high humidity or direct sunlight (or strong artificial light)

D3-4-2-1-7c*_A1_En

WARNING

This equipment is not waterproof. To prevent a fire or shock hazard, do not place any container filled with liquid near this equipment (such as a vase or flower pot) or expose it to dripping, splashing, rain or moisture.

D3-4-2-1-3_A1_En

CAUTION

The **⏻ STANDBY/ON** switch on this unit will not completely shut off all power from the AC outlet. Since the power cord serves as the main disconnect device for the unit, you will need to unplug it from the AC outlet to shut down all power. Therefore, make sure the unit has been installed so that the power cord can be easily unplugged from the AC outlet in case of an accident. To avoid fire hazard, the power cord should also be unplugged from the AC outlet when left unused for a long period of time (for example, when on vacation).

D3-4-2-2-2a*_A1_En

WARNING

To prevent a fire hazard, do not place any naked flame sources (such as a lighted candle) on the equipment.

D3-4-2-1-7a*_A1_En

VENTILATION CAUTION

When installing this unit, make sure to leave space around the unit for ventilation to improve heat radiation (at least 10 cm at top, 10 cm at rear, and 10 cm at each side).

WARNING

Slots and openings in the cabinet are provided for ventilation to ensure reliable operation of the product, and to protect it from overheating. To prevent fire hazard, the openings should never be blocked or covered with items (such as newspapers, table-cloths, curtains) or by operating the equipment on thick carpet or a bed.

D3-4-2-1-7b*_A1_En

This product is for general household purposes. Any failure due to use for other than household purposes (such as long-term use for business purposes in a restaurant or use in a car or ship) and which requires repair will be charged for even during the warranty period.

K041_A1_En

POWER-CORD CAUTION

Handle the power cord by the plug. Do not pull out the plug by tugging the cord and never touch the power cord when your hands are wet as this could cause a short circuit or electric shock. Do not place the unit, a piece of furniture, etc., on the power cord, or pinch the cord. Never make a knot in the cord or tie it with other cords. The power cords should be routed such that they are not likely to be stepped on. A damaged power cord can cause a fire or give you an electrical shock. Check the power cord once in a while. When you find it damaged, ask your nearest PIONEER authorized service center or your dealer for a replacement.

S002*_A1_En

Condensation

If the player is moved suddenly from a cold place into a warm room (in winter, for example) or if the temperature in the room in which the player is installed rises suddenly due to a heater, etc., water droplets (condensation) may form inside (on operating parts and the lens). When condensation is present, the player will not operate properly and playback is not possible. Let the player stand at room temperature for 1 or 2 hours with the power turned on (the time depends on the extent of condensation). The water droplets will dissipate and playback will become possible. Condensation can also occur in the summer if the player is exposed to the direct wind from an air-conditioner. If this happens, move the player to a different place.

S005_A1_En

[European model only]

Information for users on collection and disposal of old equipment and used batteries

(Symbol for equipment)



These symbols on the products, packaging, and/or accompanying documents mean that used electrical and electronic products and batteries should not be mixed with general household waste.

For proper treatment, recovery and recycling of old products and used batteries, please take them to applicable collection points in accordance with your national legislation.

(Symbol examples for batteries)



By disposing of these products and batteries correctly, you will help to save valuable resources and prevent any potential negative effects on human health and the environment which could otherwise arise from inappropriate waste handling.

For more information about collection and recycling of old products and batteries, please contact your local municipality, your waste disposal service or the point of sale where you purchased the items.



These symbols are only valid in the European Union.

For countries outside the European Union:

If you wish to discard these items, please contact your local authorities or dealer and ask for the correct method of disposal.

K058a_A1_En

Cautions on 3D Viewing

- If you should experience any fatigue or discomfort while viewing 3D images, stop viewing them.
- Children, particularly those under 6, may be more prone to sensitivity, so guardians should watch for any signs of fatigue or discomfort.
- When viewing 3D images, rest periodically.

Extended viewing of 3D images without rest periods could cause fatigue or discomfort.

Contents

01 Before you start

What's in the box	5
Putting the batteries in the remote control	5
Software Update	6
About operation of this player from a mobile device (iPod, iPhone, iPad etc.)	6
Types of discs/files that can be played	7
Playable discs	7
Playable files	10
Part Names and Functions	13
Remote Control	13
Front Panel	14
Rear Panel	15

02 Connecting up

Connecting using an HDMI cable	16
About HDMI	16
About Control Function with HDMI	17
Connecting a TV	18
Connecting an AV receiver or amplifier	19
Connecting audio cables	20
Connecting an AV receiver or amplifier using an coaxial digital audio cable	20
Connecting an AV receiver or amplifier using an optical digital audio cable (BDP-LX88 only)	20
Connecting the Pre-main amplifier using a balanced cable (BDP-LX88 only)	20
Input device is connected with the ZERO SIGNAL terminal	21
Connecting components to the USB port	21
About USB devices	21
Connecting the USB device	21
Connecting to the network through LAN interface	22
Connecting with a LAN cable (wired LAN)	22
Connecting the power cord	22

03 Getting Started

Making settings using the Setup Navigator menu	23
Operating the TV with the player's remote control	24
TV Preset code list	24
Switching the output video resolution	25

04 Playback

Playing discs or files	26
Quick view (Quick view with audio)	26
Forward and reverse scanning	26
Playing specific chapters, tracks or files	27
Skipping content	27
To return to a position a short while ago	27
To advance to a position slightly ahead	27
Playing in slow motion	27
Step forward/Step reverse	27
Playing a specific section within a title or track repeatedly (A-B Repeat)	27
Playing repeatedly (Repeat Play)	27
Playing in the desired order (Programmed Play)	28
Making bookmarks	28
Zoom	28
Playing photos as slideshows	28
Switching the camera angles	28
Switching the subtitles	29
Using the DIRECT function	29
Moving subtitles	29
Switching the audio	29
Switching the CD/SACD playback area	29
Displaying the disc information	30
Enjoying BONUSVIEW or BD-LIVE	30
Playback functions	31
Using the FUNCTION menu	32

Playing from a specific time (Time Search)	33
Playing a specific title, chapter, track or file (Search)	33
Playing specified range of discs, titles or chapter (track/file) in random order	33
Continuing playback from a specified position (Continued Viewing Playback)	33

05 Playback from Source function

About Source function	34
About network playback	34
Playback file on the network	35
Disc/USB playback	35
Playing back image files	36
Playing in the desired order (Playlist)	36
Adding tracks/files	36
Playing the Playlist	36
Deleting tracks/files from the Playlist	36

06 Playing the web contents

Available web contents	37
Playing the items	37

07 Setting the Audio/Video options

Changing the Audio options	38
Operating the Audio Parameter screen	38
Changing the Video options	39
Operating the Video Parameter screen	39

08 Advanced settings

Changing the settings	41
Operating the Initial Setup screen	41
Software updating	48
Restoring all the settings to the factory default settings	48
Setting the backlight mode	49
About how digital audio formats are output	50
Language Code Table and Country/Area Code Table	51
Language Code Table	51
Country/Area Code Table	51

09 Additional information

Cautions on use	52
Moving the player	52
Place of installation	52
Turn the power off when not using the player	52
Condensation	52
Cleaning the player	52
Caution for when the unit is installed in a rack with a glass door	52
Cleaning the pickup lens	53
Handling discs	53
Troubleshooting	54
Playback	54
Control function	57
Network	58
Others	60
Glossary	61
Software license notice	62
About Apple Lossless Audio Codec	62
About FLAC	62
Specifications	63

Chapter 1

Before you start

What's in the box

- Remote control x 1
- AAA 700 size manganese batteries x 2
- Power cord
- Warranty card (European models only)
- Software license notice
- Operating instructions (this document)

Putting the batteries in the remote control

The batteries included with the player have been provided to allow you to check product operation and may not last long. We recommend using alkaline batteries that have a longer life.

WARNING

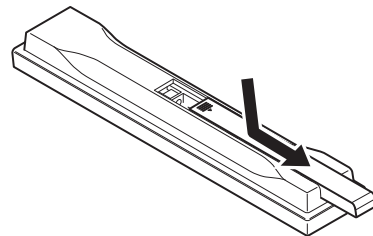
- Do not use or store batteries in direct sunlight or other excessively hot place, such as inside a car or near a heater. This can cause batteries to leak, overheat, explode or catch fire. It can also reduce the life or performance of batteries.
- Store small parts out of the reach of children and infants. If accidentally swallowed, contact a doctor immediately.

Caution

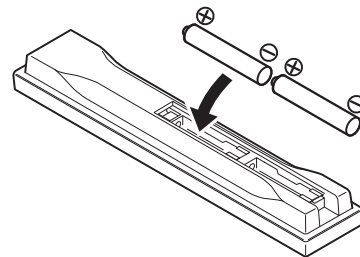
- The remote control setting may be restored to the default after the batteries are replaced. If this happens, reset it (pages 24 and 49).
- Do not use a new battery together with an old one.
- When loading the batteries into the remote control, set them in the proper direction, as indicated by the polarity marks (\oplus and \ominus).
- When inserting the batteries, make sure not to damage the springs on the battery's \ominus terminals. This can cause batteries to leak or overheat.
- Do not heat batteries, disassemble them, or throw them into flames or water.
- Batteries may have different voltages, even if they look similar. Do not use different kinds of batteries together.

- To prevent leakage of battery fluid, remove the batteries if you do not plan to use the remote control for a long period of time (1 month or more). If the fluid should leak, wipe it carefully off the inside of the case, then insert new batteries. If a battery should leak and the fluid should get on your skin, flush it off with large quantities of water.
- When disposing of used batteries, please comply with governmental regulations or environmental public institution's rules that apply in your country/area.

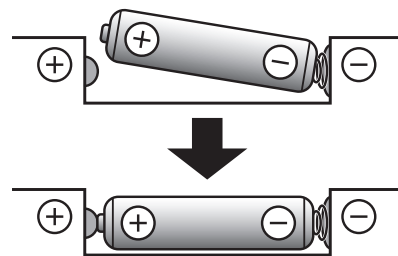
1 Open the rear cover.



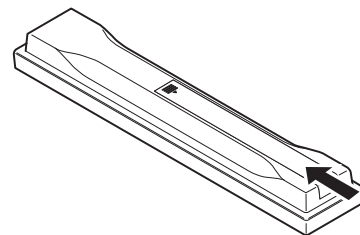
2 Insert (2 x AAA 700 size) batteries that are supplied.



Insert first from the \ominus side.



3 Close the rear cover.



Close securely (a click should be heard).

Software Update

Product information on this player is provided on the Pioneer website. Check this website for update and service information on your Blu-ray disc player.

IN Europe:

<http://www.pioneer.eu/>

IN U.K.:

<http://www.pioneer.eu/>

<http://www.pioneer.co.uk/>

IN Hong Kong:

<http://www.pioneerhongkong.com.hk/>

IN Singapore:

<http://www.pioneer.com.sg>

About operation of this player from a mobile device (iPod, iPhone, iPad etc.)

The player can be controlled from a mobile device by installing the special application onto the mobile device.

For details, see the product information on the Pioneer website.

This special application may be changed or discontinued without notice.

Apple, iPad, iPhone, iPod, iPod nano, and iPod touch are trademarks of Apple Inc., registered in the U.S. and other countries.

Types of discs/files that can be played

Playable discs


Discs with the logo marks below indicated on the disc label, package or jacket can be played.

⚠ Caution

- Only the discs that have been finalized can be played.

Disc type	Logo	Application format						
		BDMV	BDAV	DVD-Video	DVD-Audio	DVD VR	CD-DA DTS-CD	DATA-DISC ¹
BD ²	BD-ROM	✓	✓	✗	✗	✗	✗	✗
	BD-R	✓	✓	✗	✗	✗	✗	✓
	BD-RE	✓	✓	✗	✗	✗	✗	✓
DVD								
	DVD-ROM	✓	✗	✓	✓	✗	✗	✓
								
	DVD-R ^{2,3,4}	✓ ⁵	✓ ⁶	✓	✗	✓	✗	✓
	DVD-RW ^{3,7}	✓ ⁵	✓ ⁶	✓	✗	✓	✗	✓
	DVD+R ^{2,3}	✓	✗	✓	✗	✗	✗	✓
	DVD+RW ³	✓	✗	✓	✗	✗	✗	✓
CD	CD-DA (Audio CD) ⁸	✗	✗	✗	✗	✗	✓	✗
								
								
	CD-R ³	✗	✗	✗	✗	✗	✓	✓
CD-RW ³	✗	✗	✗	✗	✗	✓	✓	
CD-ROM		✗	✗	✗	✗	✗	✓	✓

1. Discs on which video, image or audio files are recorded.
2. Including dual-layered discs.
3. Finalize them before playing them on this player.
4. DVD-R for Authoring discs (3.95 GB and 4.7 GB) cannot be played.
5. Including the AVCHD format.
6. Including the AVCREC format.
7. Version 1.0 DVD-RW discs cannot be played.
8. Including Video CDs.

- “Blu-ray Disc”, “Blu-ray” and “Blu-ray Disc” logo are trademarks of Blu-ray Disc Association.
-  is a trademark of DVD Format/Logo Licensing Corporation.

❖ Discs that cannot be played

- HD DVDs
- DVD-RAM discs

It is possible that some discs other than the ones listed above may not be playable either.



Note

- Some discs cannot be played, even if one of the logo marks on the previous page is indicated.
- To play 8 cm discs, set the disc in the 8 cm disc depression in the center of the disc tray. No adapter is necessary. 8 cm BD-ROMs cannot be played.

❖ About playback of unauthorized copies

Cinavia Notice

This product uses Cinavia technology to limit the use of unauthorized copies of some commercially-produced film and videos and their soundtracks. When a prohibited use of an unauthorized copy is detected, a message will be displayed and playback or copying will be interrupted.

More information about Cinavia technology is provided at the Cinavia Online Consumer Information Center at <http://www.cinavia.com>. To request additional information about Cinavia by mail, send a postcard with your mailing address to: Cinavia Consumer Information Center, P.O. Box 86851, San Diego, CA, 92138, USA.

Copyright 2004-2010 Verance Corporation. Cinavia™ is a Verance Corporation trademark. Protected by U.S. Patent 7,369,677 and worldwide patents issued and pending under license from Verance Corporation. All rights reserved.

❖ About copyright protection

Copyright protection technology is used for some Blu-ray Discs™, DVDs and contents played over the Internet or other networks. Copyright protection technology restricts playback and analog output. Due to updates in copyright protection provisions, the restrictions may differ depending on the date this product was purchased. Furthermore, the restrictions may be updated when the software is updated after purchase.

❖ About audio formats

The following audio formats are supported on this player:

- Dolby TrueHD
- Dolby Digital Plus
- Dolby Digital
- DSD
- DTS-HD Master Audio

- DTS-HD High Resolution Audio
- DTS Digital Surround
- MPEG audio (AAC)
- Linear PCM

To enjoy the surround sound of Dolby TrueHD, Dolby Digital Plus, DSD, DTS-HD Master Audio and DTS-HD High Resolution Audio, it is recommended to connect the player to an AV receiver or amplifier compatible with these audio formats using an HDMI cable. After loading a BD containing sound in one of these audio formats, select the audio format on the menu screen.

Manufactured under license from Dolby Laboratories. “Dolby” and the double-D symbol are trademarks of Dolby Laboratories.

For DTS patents, see <http://patents.dts.com>. Manufactured under license from DTS Licensing Limited. DTS, DTS-HD, the Symbol, & DTS and the Symbol together are registered trademarks, and DTS-HD Master Audio | Essential is a trademark of DTS, Inc. © DTS, Inc. All Rights Reserved.

❖ Playing BDs

- BDs (BDMV) compatible with the formats below can be played.
 - Blu-ray Disc Read-Only (ROM) Format Version 2
 - Blu-ray Disc Recordable (R) Format Version 2
 - Blu-ray Disc Rewritable (RE) Format Version 3

This player supports BD-ROM Profile 5.



“Blu-ray 3D” and “Blu-ray 3D” logo are trademarks of Blu-ray Disc Association.

BONUSVIEW functions such as playback of secondary video (Picture-in-Picture) and secondary audio can be used. The data used with the BONUSVIEW functions (the secondary video (Picture-in-Picture) and secondary audio data) may be stored in the storage. For details on secondary video and secondary audio playback, refer to the disc’s instructions.

BONUSVIEW™

“BONUSVIEW” is trademark of Blu-ray Disc Association.

BD-LIVE functions such as downloading movie trailers or additional audio and subtitle languages and playing on-line games can be enjoyed over the Internet. The data downloaded with the BD-LIVE function (trailers, etc.) is stored in the storage. Refer to the disc's instructions for details about BD-LIVE functions.



"BD-LIVE" logo is trademark of Blu-ray Disc Association.

With BD-ROMs, it is possible to use BD-J (Java) applications to create highly interactive titles, for example including games.



Oracle and Java are registered trademarks of Oracle and/or its affiliates. Other names may be trademarks of their respective owners.

- BDs (BD-RE) compatible with the formats below can be played.
 - Blu-ray Disc Recordable (R) Format Version 1
 - Blu-ray Disc Rewritable (RE) Format Version 2

❖ Playing DVDs



This label indicates playback compatibility with DVD-RW discs recorded in VR format (Video Recording format). However, for discs recorded with a record-only-once encrypted program, playback can only be achieved using a CPRM compatible device.

The AVCHD is a high definition (HD) digital video camera recorder format recording high-definition onto certain media by using highly efficient codec technologies.



"AVCHD" and the "AVCHD" logo are trademarks of Panasonic Corporation and Sony Corporation.

❖ About region numbers

Blu-ray Disc Player and BD-ROM or DVD-Video discs are assigned region numbers according to the region in which they are sold.

This player's region numbers are:

- BD-ROM:
 - Europe models: B
 - Others: A
- DVD-Video:
 - Europe models: 2
 - Others: 3

Discs not including these numbers cannot be played. Discs playable on this player are as shown below.

- BDs:
 - Europe models: B (including B) and ALL
 - Others: A (including A) and ALL
- DVDs:
 - Europe models: 2 (including 2) and ALL
 - Australia and New Zealand models: 4 (including 4) and ALL
 - Others: 3 (including 3) and ALL

❖ Playing CDs

Regarding copy protected CDs: This player is designed to conform to the specifications of the Audio CD format. This player does not support the playback or function of discs that do not conform to these specifications.

❖ DualDisc playback

A DualDisc is a two-sided disc, one side of which contains DVD content — video, audio, etc. — while the other side contains non-DVD content such as digital audio material.

The DVD side of a DualDisc can be played on this player. The non-DVD, audio side of the disc is not compatible with this player.

It is possible that when loading or ejecting a DualDisc, the opposite side to that being played will be scratched. Scratched discs may not be playable.

For more detailed information on the DualDisc specification, please refer to the disc manufacturer or disc retailer.

❖ Playing discs created on computers or BD/DVD recorders

- It may not be possible to play discs recorded using a computer due to the application settings or computer's environment settings. Record discs in a format playable on this player. For details, contact the dealer.

❖ Table of Playable Files

Playable files (Extensions)	Playable media			File specifications
	BD-R/RE/-R DL/ RE DL/-R LTH, DVD-R/RW/-R DL/ +R/+RW/+R DL, CD-R/RW	USB devices ¹	Network	
MP3 (.mp3)	✓	✓	✓	Sampling frequencies: Up to 48 kHz Bit rate: Up to 320 kbps Audio type: MPEG-1 Audio Layer 3
WMA ² (.wma)	✓	✓	✓	Sampling frequencies: Up to 48 kHz Bit rate: Up to 192 kbps Audio type: WMA version 9
AAC (.m4a)	✓	✓	✓	Sampling frequencies: Up to 96 kHz Bit rate: Up to 320 kbps Audio type: MPEG4-AAC
MPEG2 AAC (.aac)	✓	✓	✓	Sampling frequencies: Up to 48 kHz Bit rate: Up to 320 kbps Audio type: MPEG2-AAC
WAV (.wav)	✓	✓	✓	Sampling frequencies: Up to 192 kHz Quantization bitrate: 16 bit, 24 bit Channel: 2ch/Multi (7.1 ch) (PCM codec)
FLAC (.flac)	✓	✓	✓	Sampling frequencies: Up to 192 kHz Quantization bitrate: 16 bit, 24 bit Channel: 2ch/Multi (5.1 ch)
Monkey's Audio (.ape)	✓	✓	✓	Sampling frequencies: Extra-high support up to 48 kHz High support up to 96 kHz Quantization bitrate: 16 bit, 24 bit Channel: 2ch
DSD (.dff/.dsf)	✓	✓	✓	2.8 MHz Channel: 2ch/Multi (5.1 ch)
AIFF (.aif/.aiff)	✓	✓	✓	Sampling frequencies: Up to 192 kHz Quantization bitrate: 16 bit, 24 bit Channel: 2ch (PCM codec)
ALAC (.m4a)	✓	✓	✓	Sampling frequencies: Up to 192 kHz Quantization bitrate: 16 bit, 24 bit Channel: 2ch
JPEG (.jpg/.jpeg)	✓	✓	✓	Maximum resolution: 4 000 x 3 000 pixels
MPO (.mpo)	✓	✓	✓	3D photo image
PNG (.png)	✓	✓	✓	Maximum resolution: 2 048 x 1 024 pixel Animated PNG files are not supported.
GIF (.gif)	✓	✓	✓	Maximum resolution: 2 048 x 1 024 pixel Animated GIF files are not supported. Rotate is not supported.
DivX (.avi/.divx/.mkv)	✓	✓	✓	Supported versions: Through DivX [®] PLUS HD Maximum resolution: Up to 1 920 x 1 080 (DivX [®] PLUS HD) Up to 1 280 x 720 (MKV)

Playable files (Extensions)	Playable media			File specifications
	BD-R/RE/-R DL/ RE DL/-R LTH, DVD-R/RW/-R DL/ +R/+RW/+R DL, CD-R/RW	USB devices ¹	Network	
MP4 (.mp4)	✓	✓	✓	Maximum resolution: Up to 1 920 x 1 080 Video: MPEG4, MPEG-4 AVC (level 4.1) Audio: AAC, MP3
WMV (.wmv)	✓	✓	✓	Maximum resolution: Up to 1 920 x 1 080 Video: WMV9, WMV9AP (VC-1) Audio: WMA
AVI (.avi)	✓	✓	✓	Maximum resolution: Up to 1 920 x 1 080 Video: MPEG4 Audio: MP3, AAC
3GP (.3gp)	✓	✓	✓	Video: H.263, MPEG4, H.264 Audio: MPEG-4 AAC
FLV (.flv)	✓	✓	✓	Video: Sorenson H.263 (FLV1), VP6 (FLV4), H.264 Audio: MP3, AAC
RMVB ³ (.rm/.rmvb)	✓	✓	✓	Maximum resolution: Up to 1 280 x 720 Video: RealVideo® Audio: RealAudio®, AAC

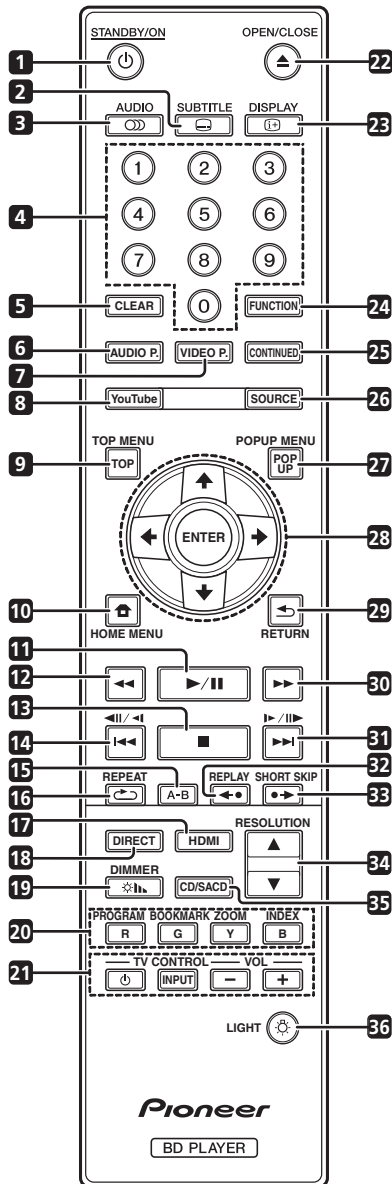
1. This unit supports FAT16, FAT32 and NTFS file systems.
2. WMA Pro, Lossless and Voice are not supported.
3. Only for ASEAN models.



Note

- Depending on the file structure, the server capacity and the network environment, it may not be possible to play certain files, even for files indicated on the table of playable files above.
- Files protected by DRM (Digital Rights Management) cannot be played (not including DivX VOD files).
- AVCHD contents cannot be played via LAN.

Remote Control



- 1 **STANDBY/ON** – Press to turn the power on and off.
- 2 **SUBTITLE** – (page 29)
- 3 **AUDIO** – (page 29)
- 4 **Number buttons** – Use these to select and play the title/chapter/track you want to view or listen to and to select items from menus.
- 5 **CLEAR** – Press to clear the numeric number, etc.
- 6 **AUDIO P.** – Use to access the audio options. (page 38)
- 7 **VIDEO P.** – Use to access the video options. (page 39)
- 8 **YouTube** – Use to play the video on YouTube. (page 37)

- 9 **TOP MENU** – Press to display the top menu of the BD-ROM or DVD-Video.
- 10 **HOME MENU** – (page 41)
- 11 **▶/||** – (page 26)
- 12 **◀◀** – (page 26)
- 13 **■** – (page 26)
- 14 **◀||/◀|/◀◀** – (page 27)
- 15 **A-B** – (page 27)
- 16 **↺ REPEAT** – (page 27)
- 17 **HDMI** – The **HDMI Mode** switches each time this is pressed (pages 17 and 43).
- 18 **DIRECT** – Press to switch on/off the DIRECT function (page 29).
- 19 **DIMMER** – Each time this is pressed, the brightness of the front panel display changes and/or the lighting status of the indicators on the front panel switches as shown in the table below.

Front panel display	Indicator
Bright	FL OFF
Middle	Off
Dark	Off
Off	Lights

- 20 **Color buttons** – Use these to navigate BD-ROM menus.
 - PROGRAM** – (page 28)
 - BOOK MARK** – (page 28)
 - ZOOM** – (page 28)
 - INDEX** – (page 28)
- 21 **TV CONTROL** – (page 24)
- 22 **▲ OPEN/CLOSE** – Press to open and close the disc tray.
- 23 **Ⓜ DISPLAY** – (page 30)
- 24 **FUNCTION** – (page 32)
- 25 **CONTINUED** – Use to continue playback from a specified position. (page 33)
- 26 **SOURCE** – (page 34)
- 27 **POPUP MENU/POPUP** – Press to display the BD-ROM or DVD-Video menus.

28 ↑/↓/←/→ – Use to select items, change settings and move the cursor.

ENTER – Press to execute the selected item or enter a setting that has been changed, etc.

29 ↶ **RETURN** – Press to return to the previous screen.

30 ►► – (page 26)

31 ►/||► / ►► – (page 27)

32 ◀◀ **REPLAY** – Press during playback to return to a position 10 seconds earlier. (page 27)

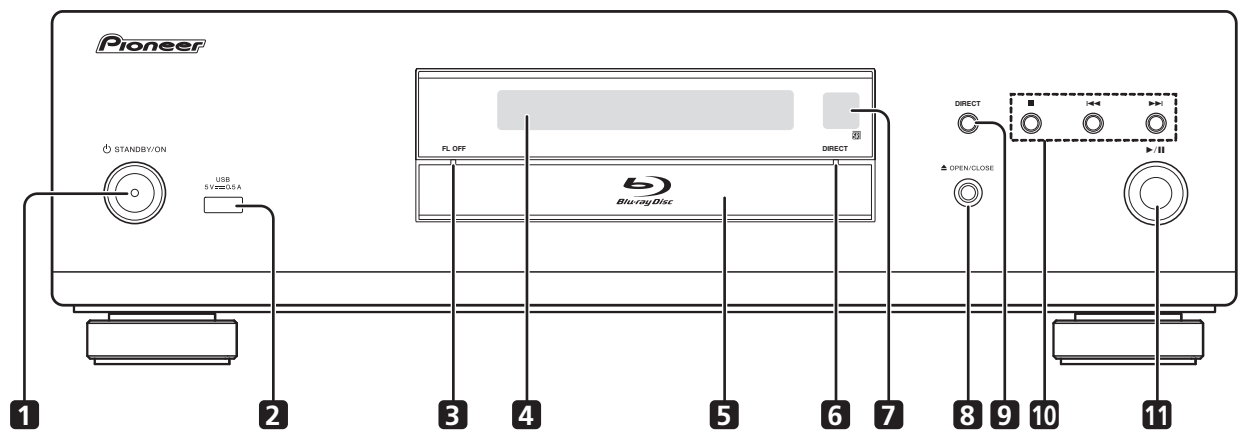
33 ▶▶ **SHORT SKIP** – Press during playback to forward to a position 30 seconds later. (page 27)

34 ▲/▼ **RESOLUTION** – Use these to switch the output video resolution from the **HDMI OUT** terminals. (page 25)

35 **CD/SACD** – For hybrid discs, press to switch between the CD and SACD layers. (page 29)

36 ☼ **LIGHT** – Turns on/off the button lights.

Front Panel



1 ⏻ **STANDBY/ON** – Press to turn the power on and off.

2 **USB port** – (page 21)

3 **FL OFF indicator** – (page 13)

4 **Front panel display**

5 **Disc tray**

6 **DIRECT indicator** – (page 29)

7 **Remote control sensor** – Point the remote control to this, then operate it within approximately 7 m. The player may have trouble capturing remote control signals if there is a fluorescent light nearby. If this happens, move the player away from the fluorescent light.

8 ▲ **OPEN/CLOSE** – Press to open and close the disc tray.

9 **DIRECT** – Press to switch on/off the DIRECT function (page 29).

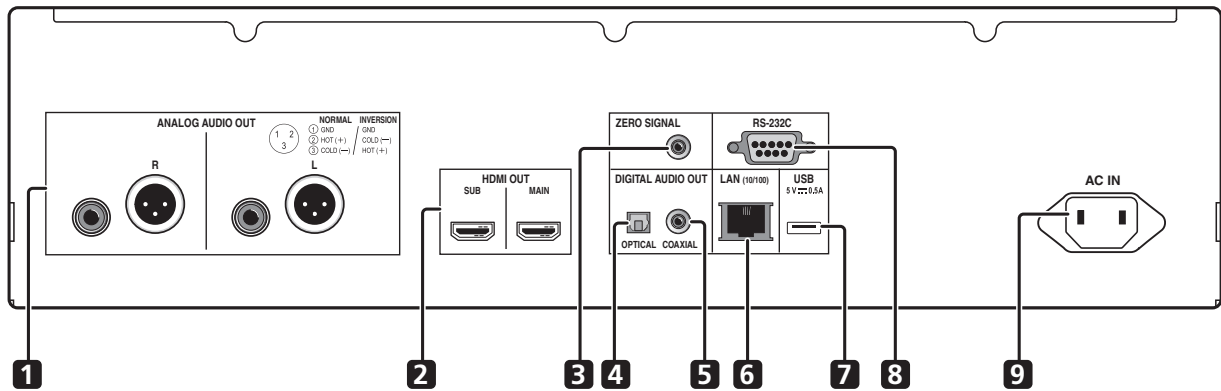
10 ■ – Press to stop playback (page 26).

◀◀ – (page 27)

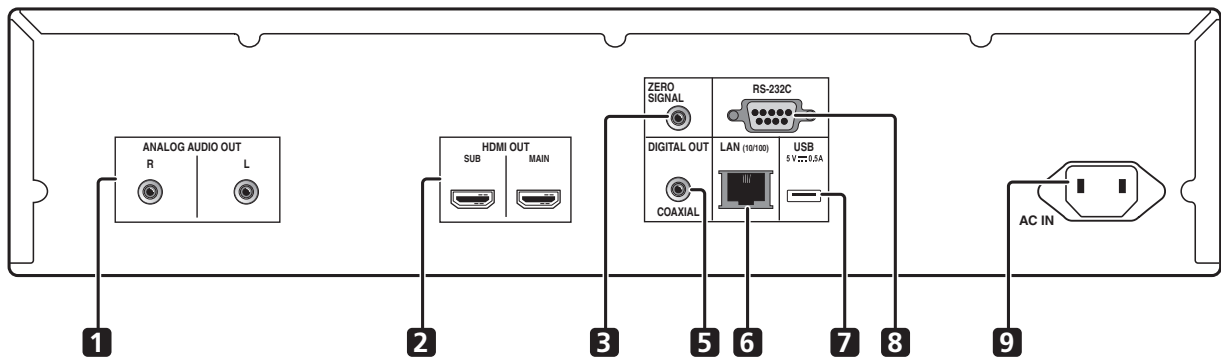
▶▶ – (page 27)

11 ▶/|| – Press to start/pause playback (page 26).

BDP-LX88



BDP-LX58



- 1 **ANALOG AUDIO OUT terminals** – (page 20)
- 2 **HDMI OUT terminals** – (page 16)
- 3 **ZERO SIGNAL terminal** – (page 21)
- 4 **DIGITAL AUDIO OUT (OPTICAL) terminal** (BDP-LX88 only) – (page 20)
- 5 **DIGITAL AUDIO OUT (COAXIAL) terminal** – (page 20)
- 6 **LAN (10/100) terminal** – (page 22)
- 7 **USB port** – (page 21)
- 8 **RS-232C terminal** – This terminal is not used.
- 9 **AC IN** – (page 22)

❖ About the HDMI terminals on the BDP-LX88/LX58

MAIN – Connect with an HDMI-compatible TV or/and AV receiver or amplifier. This is the terminal that is used mainly.

SUB – Connect with an HDMI compatible AV receiver or amplifier.

Connecting up

Be sure to turn off the power and unplug the power cord from the power outlet whenever making or changing connections.

After connecting, make the settings at the **Setup Navigator** or **Initial Setup** menu according to the type of cable connected (page 23).

Also refer to the operating instructions for the device being connected.



Note

- The illustrations used here are mainly of the BDP-LX88.

Connecting using an HDMI cable

The audio and video signals can be transferred to HDMI-compatible devices as digital signals with no loss of sound or video quality.



Note

- Make the **HDMI Mode** setting at the **Initial Setup** menu according to the connection of the devices to the player (pages 17 and 43).
- Make the settings at the **Setup Navigator** menu according to the connected HDMI-compatible device (page 23).
- 1080p and 4K video signals may not be output, depending on the HDMI cable being used.

About HDMI

This player incorporates the High-Definition Multimedia Interface (HDMI[®]) technology.

HDMI

The terms HDMI and HDMI High-Definition Multimedia Interface, and the HDMI Logo are trademarks or registered trademarks of HDMI Licensing, LLC in the United States and other countries.

The player supports Deep Color.

The conventional players can transmit a video signal with 8 bit color depth in the YCbCr 4:4:4 or RGB format; the players supporting Deep Color can transmit a video signal with a color bit depth of greater than 8 bits per color component. Subtle color gradations can be reproduced when this player is connected to a TV that supports Deep Color.

This product is compatible with "x.v.Color" that have the capability to realize a wide-gamut color space based on the xvYCC specifications.

Playing video signals conforming to "xvYCC" standards on this player when this player is connected to an "x.v.Color"-compatible TV, etc., expands color reproduction capabilities, allowing natural colors to be reproduced more faithfully than ever. "x.v.Color" is a promotion name given to the products that have the capability to realize a wide-gamut color space based on the international standard specifications defined as xvYCC.

x.v.Color

"x.v.Color" and x.v.Color are trademarks of Sony Corporation.

❖ Playable audio signals through the HDMI OUT terminal

- Dolby TrueHD
- Dolby Digital Plus
- Dolby Digital
- DTS-HD Master Audio
- DTS-HD High Resolution Audio
- DTS Digital Surround
- Linear PCM

Linear PCM audio signals meeting the following conditions can be output:

- Sampling frequency: 32 kHz to 192 kHz
- Number of channels: Up to 8 (up to 6 for a 192 kHz sampling frequency)

- DSD audio
- AAC

❖ When connected to a DVI device

- **It is not possible to connect DVI devices (computer displays, for example) that are not compatible with HDCP.** HDCP is a specification to protect audiovisual content across the DVI/HDMI interface.
- No audio signals are output.
- This player is designed for connection with HDMI-compatible devices. When connected to a DVI device, it may not operate properly depending on the DVI device.

About Control Function with HDMI

The functions work when a control function with HDMI-compatible Pioneer TV or AV system (AV receiver or amplifier, etc.) is connected to the player using an HDMI cable.

Also refer to the operating instructions for the TV and AV system (AV receiver or amplifier, etc.).

❖ To use the control function with HDMI

- The control function with HDMI operates when control function with HDMI is set to On for all devices connected with HDMI cables.
- Once the connections and the settings of all the devices are finished, be sure to check that the player's picture is output to the TV. (Also check after changing the connected devices and reconnecting HDMI cables.) The control function with HDMI may not operate properly if the player's picture is not properly output to the TV.
- Use High Speed HDMI®/™ Cables when using the control function with HDMI. The control function with HDMI may not operate properly if other HDMI cables are used.
- For some models, the control function with HDMI may be referred to as "KURO LINK" or "HDMI Control".
- The control function with HDMI does not work with devices of other brands, even if this player is connected with an HDMI cable.

❖ What the control function with HDMI can do

- **Operating the player with the TV's remote control.**

Such player operations as starting and stopping playback and displaying the menus can be performed from the TV.

- **The player's playback picture is displayed on the TV's screen. (Auto-select function)**

The input switches automatically on the TV and AV system (AV receiver or amplifier, etc.) when playback is started on the player or the HOME MENU is displayed. When the input is switched, the playback picture, the HOME MENU appears on the TV.

- **The power of the TV and the player turns on and off automatically. (Simultaneous power function)**

When playback on the player is started or the HOME MENU is displayed, if the TV's power was off, its power turns on automatically. When the TV's power is turned off, the player's power automatically turns off.

❖ Setting the HDMI Mode

The BDP-LX58/LX88 has two **HDMI OUT (MAIN, SUB)** terminals. See page 15 for the details on these terminals.

To make the setting, press **HOME MENU** to display the Home Menu, select **Initial Setup → HDMI → HDMI Mode**.

The **HDMI Mode** can be changed with the **HDMI** button on the remote control. The mode shown on the table below changes each time the button is pressed.

See the table below and set up the **HDMI Mode** according to your connection style.

HDMI Mode	HDMI OUT MAIN			HDMI OUT SUB		
	Video	Audio	Control	Video	Audio	Control
Dual	✓	✓	✓	✓	✓	✗
Separate	✓	✗	✗	✗	✓	✓
Pure Audio	✗	✗	✗	✗	✓	✓
Single	✓	✓	✓	✗	✗	✗

⚠ Caution

- When the **HDMI Mode** is set to **Dual** and the output is delivered from both the **HDMI OUT (MAIN)** terminal and the **HDMI OUT (SUB)** terminal, then the video and audio that can be output from both terminals will be output.

❖ Sound Retriever Link

About Sound Retriever Link

Sound Retriever Link is a sound quality correction control technology that automatically adjusts the compressed sound quality for the connected AV receiver using HDMI control function.

Sound Retriever Link function allows you to enjoy higher quality audio by setting the connected AV receiver's Sound Retriever function automatically.

Sound Retriever Link function on this player works exclusively with the following situations.

- When playing via a network or playing PC contents stored on a USB device.
- The Pioneer AV receiver compatible with Sound Retriever Link function is connected to this player through an HDMI cable and the player's setting is set as shown below (page 43).

Control: On

- Also refer to the instructions of the AV receiver.
- See Pioneer website about AV receivers compatible with Sound Retriever Link function.

⚠ Caution

- Connect the player directly to the Pioneer AV receiver compatible with Sound Retriever Link function. Interrupting a direct connection with an amplifier or AV converter (such as an HDMI switch) can cause malfunction.

❖ About the PQLS function

PQLS (Precision Quartz Lock System) is a digital audio transfer control technology using the HDMI control function. The player's output signals are controlled from the AV receiver to achieve high sound quality playback using the receiver's quartz oscillator. This eliminates the influence of the jitter generated during signal transfer which can adversely affect the sound quality.

- This player supports the functions below.
 - The "PQLS 2ch Audio" function that is activated when playing music CDs (CD-DAs)
 - The "PQLS Multi Surround" function that is activated when playing all discs (BDs, DVDs, etc.) with linear PCM audio output
 - The "PQLS Bitstream" function that is activated when playing with bitstream audio output
- The various PQLS functions are activated when a Pioneer AV receiver supporting the PQLS functions is connected directly to the **HDMI OUT** terminal with an HDMI cable and the player's settings are set as shown below (page 43).

Control: On

Precision Audio: AUTO or **HDMI (PQLS)** (BDP-LX88 only)

- Also refer to the AV receiver's operating instructions.
- See the Pioneer website for AV receivers supporting the PQLS function.

⚠ Caution

- The PQLS function may stop working when the video output resolution is switched. The PQLS function will start working again once playback is stopped then restarted.
- Turn on the power of the AV receiver connected to the **HDMI OUT** terminal, then start playback of the disc.

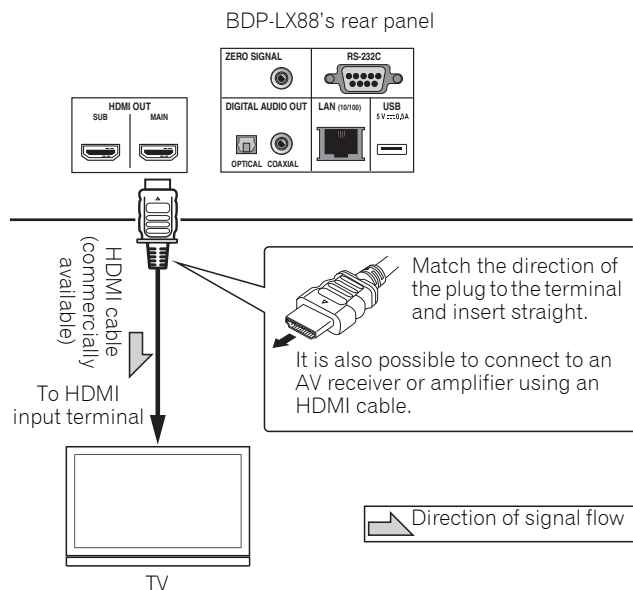
Connecting a TV

See *Connecting an AV receiver or amplifier* on page 19 to connect an AV receiver or amplifier using an HDMI cable.

⚠ Caution

- Hold the plug when connecting and disconnecting the cable.
- Placing a load on the plug could result in faulty contact and no video signals being output.

Connect a TV to the **HDMI OUT (MAIN)** terminal.



⚠ Caution

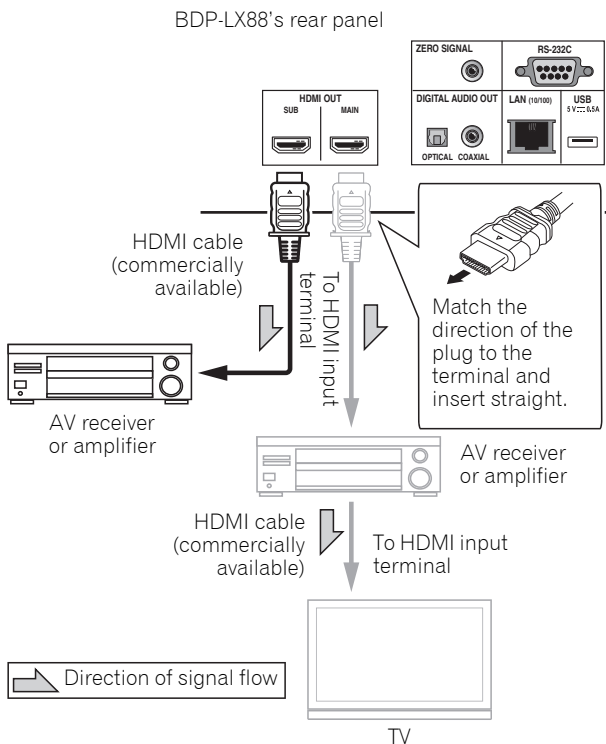
- Make sure to set **HDMI Mode** to **Dual** or **Single** (page 43).

Connecting an AV receiver or amplifier

Connect to an AV receiver or amplifier in order to enjoy the surround sound of Dolby TrueHD, Dolby Digital Plus, Dolby Digital, DTS-HD Master Audio, DTS-HD High Resolution Audio, DTS Digital Surround, LPCM, AAC or DSD. For instructions on connecting the TV and speakers to the AV receiver or amplifier, refer to the operating instructions for AV receiver or amplifier.

⚠ Caution

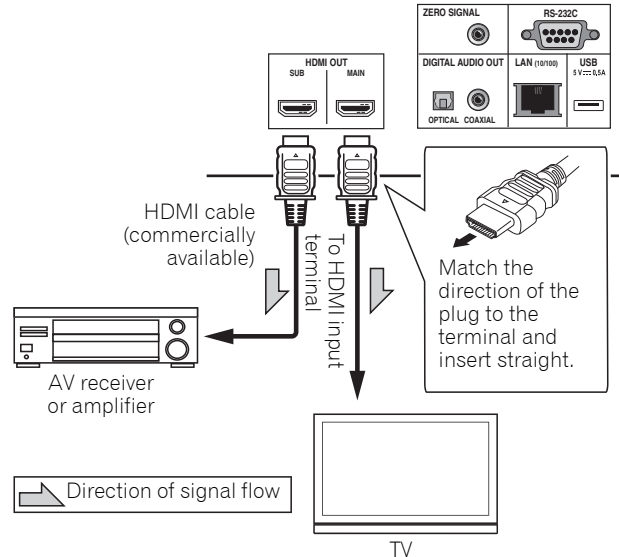
- Hold the plug when connecting and disconnecting the cable.
- Placing a load on the plug could result in faulty contact and no video signals being output.



Achieving better video and sound quality

When connecting one TV (or projector) and AV amplifier to the player, connect in such a way that the video and audio signals are transferred separately in order to achieve higher quality video and sound.

BDP-LX88's rear panel

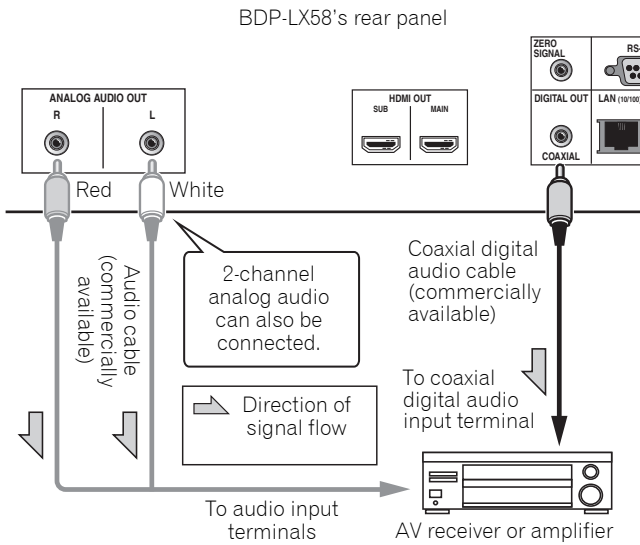


⚠ Caution

- Make sure to set **HDMI Mode** to **Separate** (page 43).
- If the AV amplifier connected to the **HDMI OUT (SUB)** terminal is also connected to a TV, the TV's input may switch automatically. If this happens, turn off the control function with HDMI on the TV.

Connecting audio cables

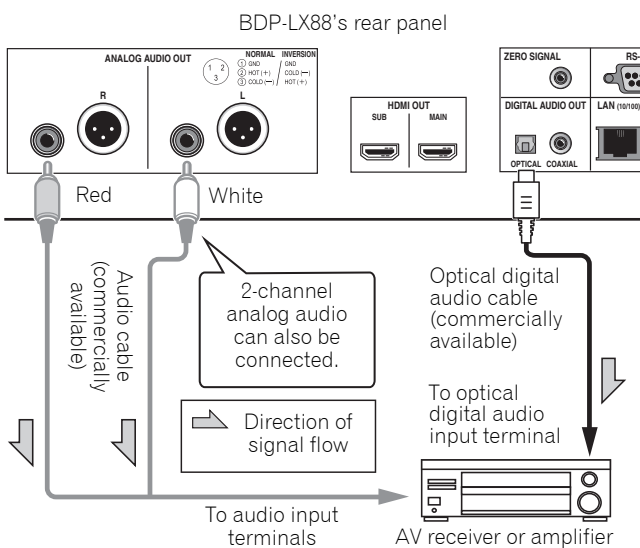
Connecting an AV receiver or amplifier using a coaxial digital audio cable



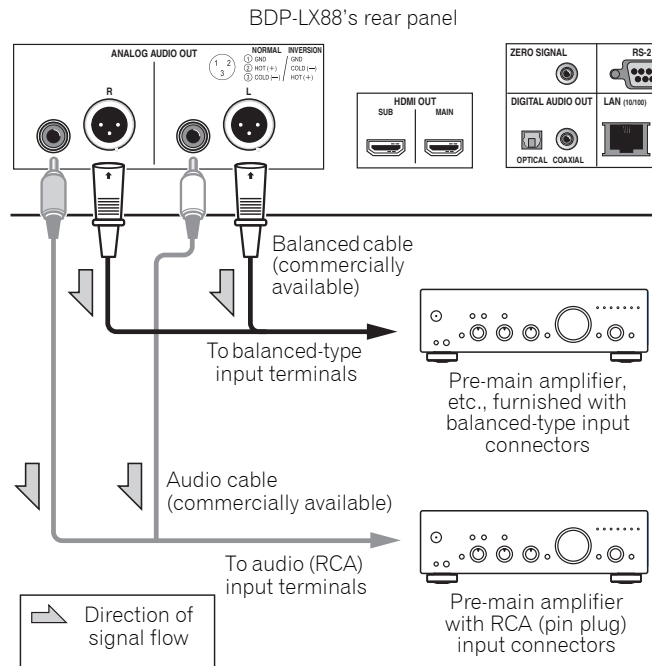
Note

- The volume of analog output audio may be low depending on the setting of this device and contents being played.

Connecting an AV receiver or amplifier using an optical digital audio cable (BDP-LX88 only)



Connecting the Pre-main amplifier using a balanced cable (BDP-LX88 only)

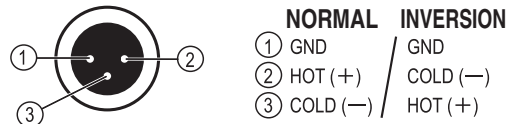


Note

- The volume of analog output audio may be low depending on the setting of this device and contents being played.

❖ Balanced output connector (appearance on unit side; equivalent to XLR-3-31)

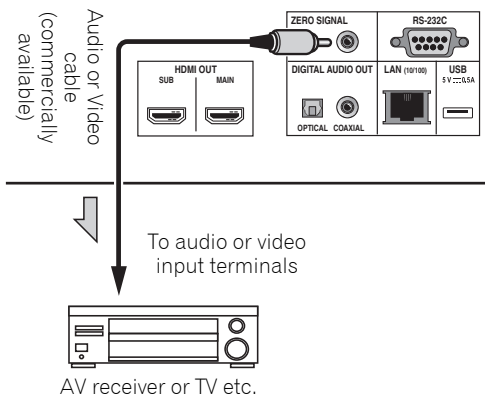
The settings of the balance output terminal can be changed. Refer to the *XLR Terminal Polarity* on page 42 for details.



Input device is connected with the ZERO SIGNAL terminal.

The Zero Signal is the reference (GND) for video and audio signals. If you connect the **ZERO SIGNAL** terminal of the equipment to the audio input terminal of another device connected to this equipment, with a pin cord, the device becomes compatible to the audio standard of this equipment, and the signal integrity improves.

On the other hand, if you connect the video input terminal of the device, it will become compatible to the video standard of this equipment and the signal integrity will improve.



Connecting components to the USB port

About USB devices

The USB devices that can be connected to the player are as shown below.

- USB 2.0-compatible USB flash drive (capacity of 1 GB or greater, 2 GB or greater recommended) or HDD (capacity 2 TB or less)
- File system: FAT16, FAT32 or NTFS

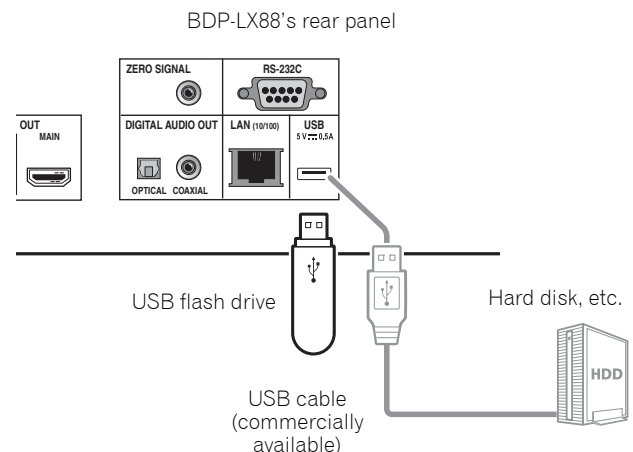
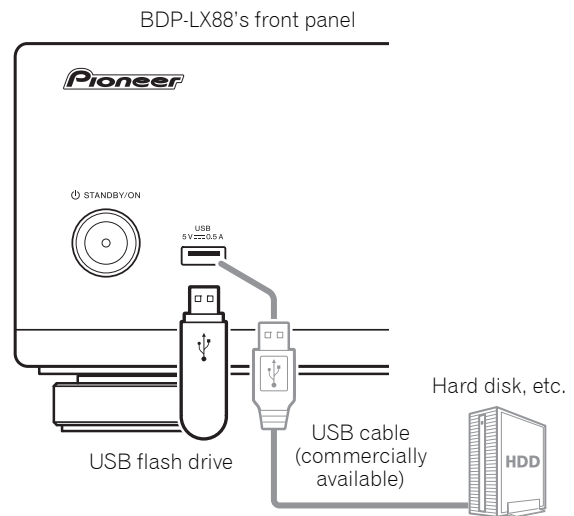
Note

- Devices formatted with a file system other than the above cannot be used.
- USB devices may not be recognized if they contain multiple partitions.
- Some USB devices may not operate with this player.
- Operation of USB devices is not guaranteed.

Connecting the USB device

Caution

- Be sure to turn the player's power off before connecting or disconnecting USB devices.
- When using an external hard disk as the external storage device, be sure to turn on the hard disk's power before turning on the player's power.
- If the USB device is write-protected, be sure to disable the write-protection.
- When connecting the USB cable, hold onto the plug, set the plug in the proper direction for the port and insert it horizontally.
- Placing excessive loads on the plug may result in poor contact, making it impossible to write data on the USB device.
- When a USB device is connected and the player's power is turned on, do not unplug the power cord.



Note

- Devices may not work if connected to the **USB** port via a memory card reader or USB hub.
- Use a USB cable with a length of 2 meters or less.

Connecting to the network through LAN interface

By connecting this player to the network via the LAN terminal, you can play image, audio and video files stored on the components on the network, including your computer, using **Source** inputs.

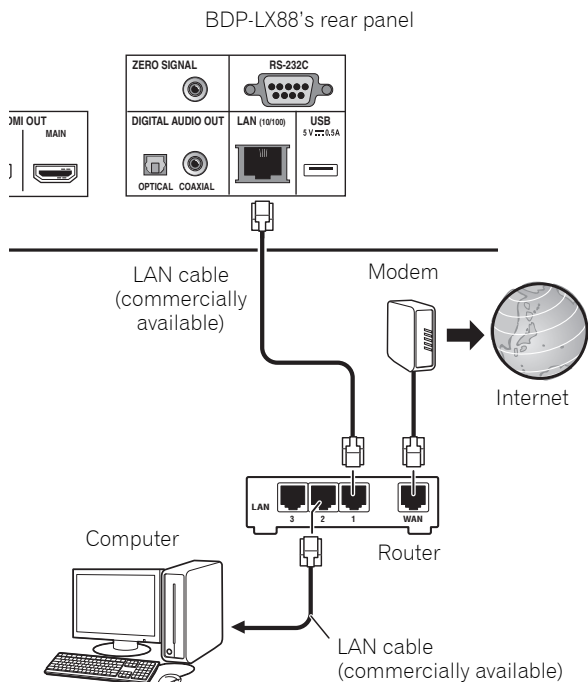
Turn on the DHCP server function of your router. In case your router does not have the built-in DHCP server function, it is necessary to set up the network manually. For details, see *Setting the IP address* on page 46.

Note

- Refer to the operation manual of the equipment you have as the connected equipment and connection method may differ depending on your Internet environment.
- When using a broadband Internet connection, a contract with an Internet service provider is required. For more details, contact your nearest Internet service provider.
- Please note that Pioneer will accept no responsibility whatsoever for communications errors or problems related to the user's network connection environment or connected devices. Contact your provider or the manufacturer of your connected devices.

Connecting with a LAN cable (wired LAN)

Connect the LAN terminal on this receiver to the LAN terminal on your router (with or without the built-in DHCP server function) with a straight LAN cable (CAT 5 or higher).

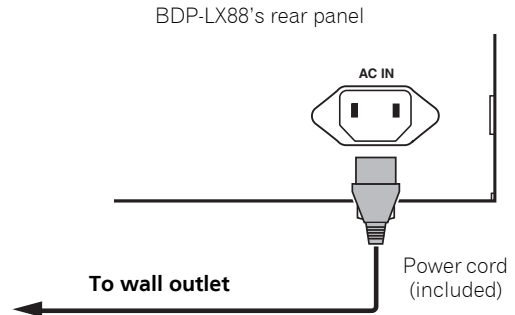


LAN terminal specifications

LAN terminal: Ethernet jack (10BASE-T/100BASE-TX)

Connecting the power cord

Connect the power cord after all the connections between devices have been completed.



Chapter 3

Getting Started

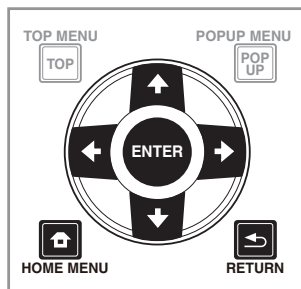
Making settings using the Setup Navigator menu

Be sure to perform these settings when using the player in the following situations.

- When you use the player for the first time.
- After **Initial Setup** format.

Caution

- Before turning on the power, check that the connections between the player and other devices are correct. Also, turn on the power of the devices connected to the player before turning on the player's power.
- When using a Pioneer TV or front projector compatible with the Control function, set Control to On on the connected device before turning on the player's power.



1 Turn on the TV's power and switch the input.

See the TV's operating instructions for the details of operating the TV.

2 Turn on the player's power.

Press  **STANDBY/ON**.

Check that the **Setup Navigator** menu is displayed.

❖ If the Setup Navigator menu is not displayed


▶ Press  **HOME MENU** to display the Home Menu, select **Initial Setup** → **Setup Navigator** → **Start**, then press **ENTER**.

3 Start Setup Navigator.


Press **ENTER**.

- **Setup Navigator** starts.


4 Select the OSD language.

Use  to select, then press **ENTER**.

5 Select the appropriate output resolution for the connected TV.


Use  to select, then press **ENTER**.

6 Select the appropriate aspect ratio for the connected TV.

Use  to select, then press **ENTER**.

7 Close the Setup Navigator menu.

Press **ENTER**.

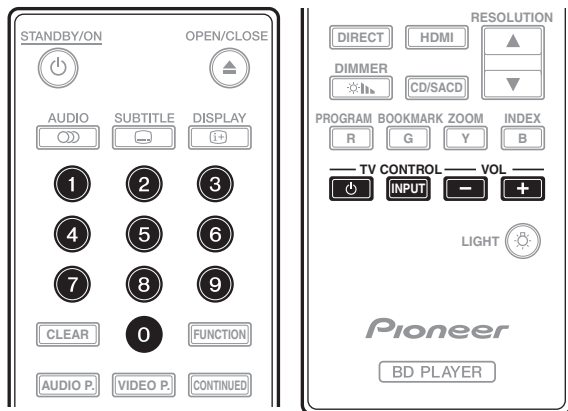
- **Setup Navigator** finishes and the setting is stored.
- Press  **RETURN** to go back to the previous screen.

Operating the TV with the player's remote control

When the manufacturer code for your brand of TV is set on the player's remote control, the TV can be operated using the player's remote control.

Caution

- The setting may be restored to the default after the batteries are replaced. If this happens, reset it.



1 Input the 2-digit manufacturer code.

Press the number buttons (0 to 9) to input the code while pressing **TV CONTROL** ⏻.

Note

- The factory default setting is 01 (PIONEER).
- If you make a mistake when inputting the code, release **TV CONTROL** ⏻ then start over from the beginning.
- When there are multiple codes for a manufacturer, try inputting them in the indicated order until the TV can be operated.

2 Check that the TV can be operated.

Operate the TV using **TV CONTROL**.

⏻ – Press to turn the TV's power on and off.

INPUT – Press to switch the TV's input.

VOL +/- – Press to adjust the volume.

TV Preset code list

Important

- We do not guarantee the operations of all the manufacturers and devices listed. Operation may not be possible even if a preset code is entered.

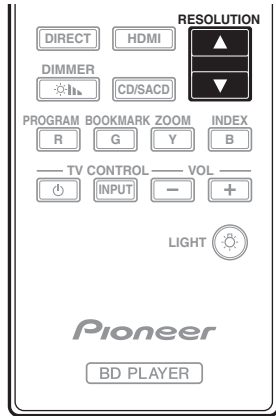
Manufacturer Code(s)

PIONEER 01	METZ 23
ALBA 07, 24, 27	MITSUBISHI 06
BUSH 07, 24, 27	NEC 25
CHANGHONG 05, 22	ORION 20
CONIA 28	PANASONIC 02
DSE 29	PHILIPS 07, 24, 27
FUNAI 14	SAMSUNG 09
GRUNDIG 16	SANYO 18
HAIER 15	SHARP 04, 26
HISENCE 12	SKYWORTH 11
HITACHI 19	SONY 03
JVC 17	TCL 13
KONKA 21	TOSHIBA 05
LG ELECTRIC 08, 10	VICTOR 17
LOEWE 07, 24, 27	VIZIO 08, 10

Switching the output video resolution

Use the procedure below to switch the output video resolution from the various video output terminals.

- ▶ Press **RESOLUTION ▲/▼**.



- The current output video resolution setting is displayed on the player's front panel display. To switch the output video resolution, press **RESOLUTION ▲/▼** again.
- The output video resolution setting can also be switched by selecting **Resolution** from the **Initial Setup** menu (page 41).

❖ If high definition videos of 4K etc. are not visible

Change the settings by the following procedure.

- 1 Press the **HDMI** button on the remote control for 5 seconds or more.

- 2 If "4K 4:4:4" is displayed on the product screen, use **←/→** button to change it to "4K 4:2:0".

If the video improves after changing the setting, continue using this setting.

To revert the setting to the original value, do the operation described above again and change the setting to "4K 4:4:4".

⚠ Caution

- On some devices (TV, AV receiver or amplifier, etc.), the video or audio may not be output properly when the resolution is switched. If this happens, use **RESOLUTION** to set a resolution at which the video and audio are properly output.
- When video signals are being output with a resolution of 4K/24p, 4K, 1080/50i, 1080/50p, 720/50p, 1080/24p, 1080/60i, 1080/60p or 720/60p from the **HDMI OUT** terminals, the picture may be output with an aspect ratio of 16:9, even if the **TV Aspect Ratio** is set to **4:3 (Standard)**.
- The picture may not be displayed for a while when the resolution is switched.

- When the connected device supports 3D and if a 3D Disc is played back, the 3D output is prioritized for output, regardless of the resolution settings. Also, switching of resolution may not be possible while the 3D contents are playing.
- When **Auto** is selected, the picture is output at 60 frames/second if your TV is not compatible with 1080/24p signals.
- When **4K, 4K/24p, 1080/24p** or **Source Direct** is selected, the signals are output as such, even if your TV is not compatible with 4K, 4K/24p or 1080/24p signals. If the picture is not displayed properly, use **RESOLUTION ▲/▼** to set an output video resolution at which the video and audio signals are properly output.
- When the **Resolution** is set to **Auto** and if the television set in use supports 4K or 4K/24p output, then the output is made in 4K or 4K/24p. If the connected television set does not support 4K or 4K/24p, then the output is made with a recommended resolution other than 4K.
- The pictures are output with the preferred output resolution of the device (TV, AV receiver or amplifier, etc.) connected to the selected video output terminal. However, if devices are connected to both **HDMI MAIN** and **HDMI SUB**, the pictures are output with a resolution which both devices support. If the resolution supported by the devices connected to the **HDMI MAIN** and **HDMI SUB** terminals vary, then either turn off the power of the device that is not in use, or connect the device that will be used to the **HDMI MAIN** terminal and set the **HDMI Mode** setting to **Single** in order to deliver output on the device used for viewing video with optimum resolution.
- When the **HDMI Mode** is set to **Dual** and if only one of the devices that is connected to the **HDMI MAIN** and the **HDMI SUB** supports 3D, then a 3D disc may not be played back. In such cases, either only connect the device that supports 3D or connect the device that supports 3D to the **HDMI MAIN** terminal and set the **HDMI Mode** to **Single** to play back the disc.
- When the **Resolution** is set to **Auto**, 1080p, 4K or 4K/24p and if the resolution of output from the HDMI is 1080p, 4K or 4K/24p, then output may not occur depending on the HDMI cable in use.
- There are resolutions that cannot be output depending on the television set in use.
- When the **HDMI Mode** is set to **Pure Audio**, the 1080p60, 4K/60p or 4K/24p, output will not occur even if the resolution is set to **Auto** or **1080p, 4K** or **4K/24p**. The output will be delivered with a resolution of 1080/60i, 1080/24p or the like, depending on the resolution of the source and the connected television set.

Playback

Playing discs or files

This section describes the player's main operations.

For the types of discs and files that can be played, see page 7. Video, image and audio files recorded on discs are played with the **Source** function (page 34).

1 Press **STANDBY/ON** to turn on the power.



Turn the TV's power on and switch its input beforehand.

2 Press **OPEN/CLOSE** to open the disc tray and load the disc.

Note

- Load the disc with the printed side facing up.
- Several dozen seconds are required to read the disc. Once reading is completed, the type of disc is displayed on the player's front panel display.
- When a BD with usage restrictions set by a BD recorder is loaded, the PIN code input screen appears. In this case, input your PIN code.

3 Press **▶/II** to play the disc.

- To pause, press  **▶/II** during playback.
- To stop, press  **■** during playback.




Note

- Some discs start playing automatically when the disc tray is closed.
- BD-ROM/DVD-Video discs have parental lock features. Input the password registered in the player's settings to unlock the parental lock. For details, see page 47.
- Some BD-R/-RE discs have playback protection. To cancel the protection, input the password set for the disc.
- If the picture and sound are not properly output, *Troubleshooting* on page 54.

❖ **If the disc menu is displayed**

For some discs, the disc menu is displayed automatically when playback starts. The contents of the disc menu and the way to operate depend on the disc.

❖ **Resuming playback from where it was stopped (resume playback function)**

- When  **■** is pressed during playback, the point at which the disc stopped is stored in the memory. When  **▶/II** is pressed after that, playback resumes from that point.
- To cancel the resume playback function, press  **■** while playback is stopped.


Note

- The resume playback function is canceled automatically in the following cases:
 - When the disc tray is opened.
 - When the file list window is switched.
 - When the power is turned off. (For BDs and DVDs this does not cancel the resume playback function.)
- When you want to continue playback from a position you specify to be played next time, see *Continuing playback from a specified position (Continued Viewing Playback)* on page 33.
- The resume playback function cannot be used for some discs.

Quick view (Quick view with audio)

Audio is being output while the video images are played back at about 1.5 times the normal speed.

▶ **Press while playing back BD or DVD.**

- If  **▶▶** is pressed during quick view, it will switch to fast forward.

❖ **To return to normal playback**

- Press  **▶/II**.

Note

- You cannot pause during quick view. Please pause after returning to normal playback.
- As for the tone during quick view, the output comes via PCM regardless of the configuration of the main body of the device.
- It is not possible to switch the audio during quick view.
- Depending on the audio format, such as Dolby TrueHD and DTS-HD Master Audio, there might be no sound output during fast-forward.
- For the output conditions of each voice, please refer to *About how digital audio formats are output* on page 50.

Forward and reverse scanning

▶ **During playback or quick view, press or .**

- The scanning speed switches each time the button is pressed. The speed steps depend on the disc or file (the speed is displayed on the TV screen).

❖ To resume normal playback

- ▶ Press ►/II.

Playing specific chapters, tracks or files

▶ During playback, input the number of the chapter/track/file you want to select.

- Use the number buttons (0 to 9) to input the number, then press **ENTER**.
- Press **CLEAR** to clear the values you have input.

Skipping content

▶ During playback, press I◀◀ or ▶▶I.

- When ▶▶I is pressed, the playback skips ahead to the beginning of the next chapter/track/file.
- When I◀◀ is pressed while a video or audio file is playing, the playback skips back to the beginning of the currently playing chapter/track/file. Press twice to skip back to the beginning of the previous chapter/track/file.
- When I◀◀ is pressed while an image file is playing, playback returns to the previous file.

To return to a position a short while ago

Press during playback to return to a position 10 seconds earlier.

- ▶ During playback, press ◀• **REPLAY**.

To advance to a position slightly ahead

Press during playback to forward to a position 30 seconds later.

- ▶ During playback, press •➔ **SHORT SKIP**.

Playing in slow motion

▶ While playback is paused, press and hold ◀II/◀I or I▶/II▶.

- The speed switches each time the button is pressed (the speed is displayed on the TV screen).
- Keeping the I▶/II▶ button pressed initiates slow motion play back.
- Keeping the ◀II/◀I button pressed initiates reverse slow motion play back.

❖ To resume normal playback

- Press ►/II.

Step forward/Step reverse

- ▶ While playback is paused, press ◀II/◀I or I▶/II▶.
 - The picture moves a step forward or step reverse each time the button is pressed.
 - Each time the I▶/II▶ button is pressed, a frame is advanced.
 - Each time the ◀II/◀I button is pressed, a frame is reversed.

❖ To resume normal playback

- Press ►/II.

Playing a specific section within a title or track repeatedly (A-B Repeat)

Use this procedure to play a specific section within a title or track repeatedly.

1 During playback, press A-B to select the starting point.

- [A-] is displayed on the TV screen.

2 During playback, press A-B to select the ending point.

- A-B Repeat playback starts.

❖ To cancel A-B Repeat play

- Press **A-B** during the A-B Repeat play.



Note

- A-B Repeat play is canceled in the following cases:
 - When you search outside of the repeat range.
 - When you start other Repeat Play or Random Play.

Playing repeatedly (Repeat Play)

Use this procedure to play the currently playing disc, title, chapter, track or file repeatedly.

▶ During playback, press REPEAT.

- Each time you press **REPEAT** the type of repeat modes changes as shown below.

BD

Current chapter → Current title

DVD

Current chapter → Current title → All titles

CD/Video file/Audio file/Image file

Current track/file → All tracks/All files in folder

❖ To cancel Repeat Play

- Press **REPEAT** several times during Repeat Play.



Note

- Repeat Play is canceled in the following cases:
 - When you search outside the repeat range.
 - When you start other Repeat Play or Random Play.

Playing in the desired order (Programmed Play)

1 During playback, press **PROGRAM**.

- The program screen is displayed.

2 Select the program number.

Use **↑/↓** to select, then press **ENTER**.

3 Select the track/title/chapter you want to play.

Use **↑/↓/←/→** to select, then press **ENTER**.

4 Press **▶/II**.

- Playback starts.

❖ Editing the program

1 Select the program number you want to edit, then press **ENTER**.

2 Select title/chapter, then press **ENTER**.

❖ Deleting the program

▶ Select the program number you want to delete, then press **CLEAR**.

- To delete all the programs, press **↶ RETURN**.



Note

- When you use audio CDs for Programmed Play, enter the track number in step 3.
- This function does not work with BDs.

Making bookmarks

You can make bookmarks on the video currently playing and play back the scene later.

▶ During playback, press **BOOKMARK**.

- The bookmark is made.
- Maximum number of bookmarks are 12.

❖ Playing the bookmarked scene

1 Press and hold **BOOKMARK** for a few seconds.

- The list of bookmarks is displayed.

2 Select the bookmark you want to play.

Use **←/→** to select, then press **ENTER**.

❖ Deleting the bookmark

▶ Select the bookmark you want to delete, then press **CLEAR**.

- Bookmarks may not be allowed to make for some discs.
- Bookmarks are canceled in the following cases:
 - When the player's power turned off.
 - When the disc tray is opened.

Zoom

▶ During playback, press **ZOOM**.

- Each time you press **ZOOM**, the zoom level changes as shown below.

[Zoom 2x] → [Zoom 3x] → [Zoom 4x] → [Zoom 1/2] → [Zoom 1/3] → [Zoom 1/4] → Normal (not displayed)



Note

- This function does not work with some discs.

Playing photos as slideshows

This function plays the photos, switching them automatically.

▶ During playback, press **INDEX**.

- Display the thumbnail of image files. The maximum number is 12 at once.
- If you select one of the image and press **ENTER**, slideshow will start from the image you selected.

❖ Rotating/inverting photos

When a slideshow is playing or paused, the display switches as shown below when the **↑/↓/←/→** buttons are pressed.

→ button: Rotates 90° clockwise

← button: Rotates 90° counterclockwise

↑ button: Flips horizontally

↓ button: Flips vertically

Switching the camera angles

For BD-ROM and DVD-Video discs on which multiple angles are recorded, the angles can be switched during playback.

1 During playback, press **FUNCTION**.

2 Select Angle from the **FUNCTION** menu.

- The current angle and total number of recorded angles are displayed on the TV screen.
- If the angles are not switched, switch them from the disc menu screen.



Note

- Some discs cannot switch angles.

Switching the subtitles

For discs or files on which multiple subtitles are recorded, the subtitles can be switched during playback.

Caution

- The subtitles cannot be switched for discs recorded by a DVD or BD recorder. Also refer to the operating instructions for the device used for recording.

▶ **During playback, press SUBTITLE.**

- The current subtitle and total number of recorded subtitles are displayed on the TV screen. To switch the subtitle, press **SUBTITLE** again.
- The subtitles can also be switched by selecting **Subtitle** from the **FUNCTION** menu.
- If the subtitles are not switched when **SUBTITLE** is pressed, switch them from the disc menu screen.

❖ **Turning the subtitles off**

▶ **Press SUBTITLE several times or select Subtitle from the FUNCTION menu to switch the setting to Off.**

❖ **About displaying external subtitle files while playing DivX media files**

In addition to the subtitles recorded in DivX media files, this player also supports the display of external subtitle files. If a file has the same name as that of a DivX media file aside from the file extension and the extension is one of the extensions listed below, the file is treated as an external subtitle file. Note that DivX media files and external subtitle files must be located in the same folder. Only one external subtitle file can be displayed on this player. Use a computer, etc., to delete any external subtitle files you do not want to display from the disc. Text files with the extensions ".smi", ".srt", ".sub" and ".txt" are supported.

Note

- Depending on the file, the external subtitles may not be displayed properly.

Using the DIRECT function

When the DIRECT function is turned on, the digital audio output and video output are blocked and analog audio is played back with high quality. This function is turned Off upon shipping.

▶ **Press DIRECT.**

- Each time the button is pressed, the setting switches between On and Off.
- When the DIRECT function is turned on, the DIRECT indicator on the main unit turns on.

Note

- When you turn on the DIRECT function and play, the output volume may be low depending on the settings of this device and contents being played.
- Depending on disk or file, DIRECT function will not work in some cases if playback is not stopped (resume playback function is in cancelled state). To cancel the resume playback function, press **■** while playback is stopped.

Moving subtitles

The position of the subtitles displayed while playing BD-ROMs or DVDs can be moved.

1 **Play the BD-ROM or DVD video and display the subtitles on the TV screen.**

2 **Press and hold the SUBTITLE button for at least 2 seconds.**

- The Subtitle shift mode is set.
- [Subtitle shift mode] is displayed on the TV screen.

3 **Use the ↑/↓ buttons to move the position of the subtitles.**

- Use the ↑/↓ buttons to move the position of the subtitles.
- Once the setting is complete, press **ENTER**.

4 **Cancel the Subtitle shift mode.**

Press the **ENTER** button.

Switching the audio

For discs or files on which multiple audio streams/channels are recorded, audio streams/channels can be switched during playback.

▶ **During playback, press AUDIO.**

- The current audio and total number of recorded audio streams are displayed on the TV screen. To switch the audio, press **AUDIO** again.
- The audio can also be switched by selecting **Audio** from the **FUNCTION** menu.
- If the audio is not switched when **AUDIO** is pressed, switch it from the disc menu screen.

Switching the CD/SACD playback area

1 **Select the area you want to play.**

In the stop mode, press **CD/SACD**. The playback area switches on the front panel display window each time the button is pressed.

[CD AREA] → [SACD 2CH] → [SACD MCH] → (back to beginning)

- During playback, press **■** twice to cancel continuous play before selecting the playback area.

Displaying the disc information

▶ Press **[i+] DISPLAY**.

The disc information appears on the TV screen. To switch off the information display, press **[i+] DISPLAY** again.

The information display differs between during playback and when playback is stopped.

Enjoying BONUSVIEW or BD-LIVE

This player is compatible with BD-Video BONUSVIEW and BD-LIVE.

When using BD-Video discs compatible with BONUSVIEW, you can enjoy such functions as secondary video (picture in picture) (page 32) and secondary audio (page 32). With BD-Video discs supporting BD-LIVE, special video images and other data can be downloaded from the Internet.

Data recorded on BD video and downloaded from BD-LIVE is stored on the USB flash drive (external memory). To enjoy these functions, connect a USB flash drive (minimum 1 GB capacity, 2 GB or greater recommended) supporting USB 2.0 High Speed (480 Mbit/s) to the USB port.

- When you insert or remove a USB flash drive, be sure to turn the player's power off.
- To recall data stored in the USB flash drive, first insert the disc media that was being used at the time the data was downloaded (if a different disc is loaded, the data stored on the USB flash drive cannot be played).
- If a USB flash drive containing other data (previously recorded) is used, the video and audio may not play back properly.
- Do not disconnect the USB flash drive while playback is in progress.
- Some time may be required for the data to load (read/write).

Caution

- It may not be possible to use the BONUSVIEW and BD-LIVE functions if there is insufficient space on the USB flash drive. In this case, refer to *Erasing data that has been added to BDs and application data on page 46* for erasing the Virtual Package data and the BD-LIVE data in the USB flash drive.

Note

- Operation of USB flash drives is not guaranteed.
- Playback of BD-LIVE function data differs depending on the disc used. For details, consult the user instructions supplied with the disc.
- To enjoy the BD-LIVE function, a network connection and settings are required (pages 22 and 46).
- BD-LIVE is a function that provides for connection to the Internet. Discs supporting the BD-LIVE function may send ID codes identifying this player and the disc to the contents provider via the Internet.

Playback functions

The functions that can be used differ according to the type of disc and file. In some cases, some of the functions cannot be used. Check the usable functions on the table below.

Function ¹	Disc/file type										
	BD-ROM	BD-R /-RE	DVD-Video	DVD-Audio	DVD-R /-RW (VR format)	AVCREC	AVCHD	Video file	Image file	Audio file	Audio CD
Quick view ²	✓	✓	✓	✗	✓	✓	✓	✗	✗	✗	✗
Forward and reverse scanning	✓ ³	✓ ³	✓ ³	✓ ⁴	✓ ³	✓ ³	✓ ³	✓ ³	✗	✓ ⁴	✓ ⁴
Short Skip/Replay	✓	✓	✓	✓	✓	✓	✓	✓	✗	✓	✓
Playing specific titles, chapters or tracks	✓	✓	✓	✓	✓	✓	✓	✗	✗	✗	✓
Skipping content	✓	✓	✓	✓	✓	✓	✓	✓	✓	✓	✓
Slow motion play ⁵	✓	✓	✓	✗	✓	✓	✓	✓ ⁶	✗	✗	✗
Step forward and step reverse ⁷	✓	✓	✓	✗	✓	✓	✓	✓ ⁸	✗	✗	✗
A-B Repeat play ⁷	✓	✓	✓	✓	✓	✓	✓	✓	✗	✓	✓
Repeat Play	✓	✓	✓	✓	✓	✓	✓	✓	✓	✓	✓
Zoom	✓	✓	✓	✗	✓	✓	✓	✓	✓	✗	✗
Angle ⁹	✓	✗	✓	✓	✗	✗	✗	✗	✗	✗	✗
Subtitle ¹⁰	✓	✓	✓	✗	✓	✓	✓	✓	✗	✗	✗
Audio ¹¹	✓	✓	✓	✓	✓	✓	✓	✓	✗	✗	✗
Disc information	✓	✓	✓	✓	✓	✓	✓	✓	✓	✓	✓

1. Some functions may not work for some discs or files, even if indicated [✓] on the table.

2. Depending on the audio format, such as Dolby TreHD and DTS-HD Master Audio, there might be no sound output during fast-forward.

3. Sound is not produced during forward and reverse scanning.

4. Sound is produced during forward and reverse scanning.

5. No sound is output during slow motion playback.

6. Reverse slow motion playback is not possible.

7. If a chapter is switched, some discs will cause an automatic return to normal playback.

8. Reverse step playback is not possible.

9. Angle mark is displayed for scenes at which multiple angles are recorded if **Angle Mark** is set to **On** (page 44).

10. • The types of recorded subtitles depend on the disc and file.

• In some cases, the subtitle may switch or the switching screen provided on the disc may be displayed immediately, without the current subtitle or the total number of subtitles recorded on the disc being displayed.

11. The types of recorded audio streams depend on the disc and file.

Using the FUNCTION menu

Various functions can be called out according to the player's operating status.

❖ 1 Display the FUNCTION menu.

Press **FUNCTION** during playback.

❖ 2 Select and set the item.

Use **↑/↓** to select, then press **ENTER**.



Note

- Items that cannot be changed are displayed in gray. The items that can be selected depend on the player's status.

❖ To change the setting of the selected item

Use **↑/↓** to change.

❖ To close the FUNCTION menu

Press **FUNCTION**.

❖ FUNCTION menu item list

Item	Description
Title (track) ¹	Display the title information for the currently playing disc and total number of titles on the disc. Also select the title you want to play. (See the following description.)
Chapter	Display the information for the currently playing chapter (track/file) and total number of chapters in the disc. Also select the chapter (track/file) you want to play. (See the following description.)
File	Display current file information. Select your favorite file.
Time	Display the elapsed or remaining time. Also enter the time from which you want to start playback. (See the following description.)
Mode	Switch the play mode (page 33).
Audio	Switch the audio.
Angle	Switch the BD-ROM/DVD-Video disc's camera angle.
Subtitle	Switch the subtitle language.
Code Page	Switch the subtitle code page.
Secondary Video ²	Switch the BD-ROM's secondary video (Picture-in-Picture).
Secondary Audio ³	Switch the BD-ROM's secondary audio.
Bitrate	Display the bitrate of the audio/video/secondary video/secondary audio.
Still off	Switch off the BD-ROM's still picture.
Short Skip	Forward to a position 30 seconds later.
Replay	Return to a position 10 seconds earlier.
Slide Show	Switch the playback speed while playing the picture slide show.
Transition	Change the style of the slide show while playing the picture slide show.

1. One of these types of information is displayed, depending on the type of disc.
2. Secondary video mark is displayed for scenes at which secondary video is recorded if **PIP Mark** is set to **On** (page 44).
3. Secondary audio mark is displayed for scenes at which secondary audio is recorded if **Secondary Audio Mark** is set to **On** (page 44).



Note

- Selectable items depend on the type of disc.
- The types of recorded secondary audio streams depend on the disc and file.
- Some discs do not include secondary audio/secondary video.
- In some cases, the secondary audio/secondary video may switch or the switching screen provided on the disc may be displayed immediately, without the current secondary audio/secondary video or the total number of secondary audio/secondary video streams recorded on the disc being displayed.

Playing from a specific time (Time Search)

1 Select Time.

Use **↑/↓** to select, then press **ENTER**.

2 Input the time.

Use the number buttons (0 to 9) to input the time.

- To play from 45 minutes, input **0, 0, 4, 5, 0** and **0**, then press **ENTER**.
- To play from 1 hour 20 minutes, input **0, 1, 2, 0, 0** and **0**, then press **ENTER**.
- Press **CLEAR** to clear the values you have input.

3 Starting playback from the specified time.

Press **ENTER**.

Playing a specific title, chapter, track or file (Search)

1 Select Title or Chapter (track/file).

Use **↑/↓** to select, then press **ENTER**.

2 Input the Title or Chapter (track/file) number.

Use the number buttons (0 to 9) or **↑/↓** to input the number.

- To search for title 32, input **3** and **2**, then press **ENTER**.
- Press **CLEAR** to clear the values you have input.

3 Starting playback from the specified title, chapter or track.

Press **ENTER**.

Playing specified range of discs, titles or chapter (track/file) in random order

You can select from two types of random playback.

1 Select Mode.

Use **↑/↓** to select, then press **ENTER**.

2 Select the playing mode.

Use **↑/↓** to select, then press **ENTER**.

❖ Random play

The specified range of discs, titles or chapter (track/file) is played in random order. The same item may be played consecutively.

❖ Shuffle play

The specified range of discs, titles or chapter (track/file) is played in random order. Each item is played once.

Continuing playback from a specified position (Continued Viewing Playback)

This function allows you to continue playback from a position you specify to be played next time, even after turning the power off.

❖ Setting

▶ During playback, press **CONTINUED** at the position from which you want to start continued viewing playback.

The elapsed playing time at the specified position is displayed on the TV screen.

❖ Playing

1 Press **▶/II** to play the title for which you have set continued viewing playback.

The continued viewing playback confirmation screen appears.

- In the cases below, the continued viewing playback confirmation screen is displayed.

For BD videos

The screen is displayed after the main featured has been played.

For recorded discs

The screen is displayed after the folder is selected and the title set for continued viewing playback has been played.

2 Use **←/→** to select **Yes**, then press **ENTER**.

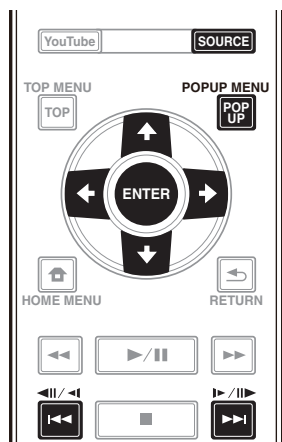
Playback starts from the specified position.



Note

- The continued viewing playback setting is canceled when **▲ OPEN/CLOSE** is pressed.
- Continued viewing playback may not work properly with some discs.

Playback from Source function



About Source function

This player's **Source** function allows you to display a list of input sources and start playback. This chapter describes setup and playback procedures required to enjoy these features. When you play the files stored on your computer or the components on the network, it is advisory that you also refer to the operation manual supplied with your network component.

The input sources that can be played from **Source** function are as shown below.

- BD-R/RE (BD-RE format) discs
- DVD-R/RW (VR format) discs
- Audio CDs (CD-DA, SACD and DTS CDs)
- DVD/CDs on which only data files of video, image or audio files, etc. are recorded.
- USB device
- Files on the network servers (on the PCs or components connected to the player via LAN interface.)



Note

- The **Source** function allows you to play files on media servers connected on an identical Local Area Network (LAN) as the receiver.
- The following files are allowed to be played from **Source** function:
 - PCs running Microsoft Windows Vista with Windows Media Player 11 installed
 - PCs running Microsoft Windows 7 with Windows Media Player 12 installed
 - DLNA-compatible digital media servers (on PCs or other components)

Files stored in a PC or DMS (Digital Media Server) as described above can be played by Digital Media Player (DMP). The player supports the use of such DMP.

Files stored in a PC or DMS (Digital Media Server) as described above can be played via command from an external Digital Media Controller (DMC). Devices controlled by this DMC to play files are called DMRs (Digital Media Renderers). This player supports this DMR function. When in the DMR mode, such operations as playing and stopping files can be performed from the external controller.

- To play back audio files stored on components on the network, you must turn on the DHCP server function of your router. In case your router does not have the built-in DHCP server function, it is necessary to set up the network manually. Otherwise, you cannot play back files stored on components on the network. See "Setting the IP address" on page 46.

About network playback

The network playback function of this unit uses the following technologies:

❖ Windows Media Player

See Windows Media Player 11/Windows Media Player 12 above for more on this.

❖ DLNA



DLNA CERTIFIED® Audio Player

The Digital Living Network Alliance (DLNA) is a cross-industry organization of consumer electronics, computing industry and mobile device companies. Digital Living provides consumers with easy sharing of digital media through a wired or wireless network in the home.

The DLNA certification logo makes it easy to find products that comply with the DLNA Interoperability Guidelines. This unit complies with DLNA Interoperability Guidelines v1.5. When a PC running DLNA server software or a DLNA compatible device is connected to this player, some setting changes of software or other devices may be required. Please refer to the operating instructions for the software or device for more information.

DLNA®, the DLNA Logo and DLNA CERTIFIED® are trademarks, service marks, or certification marks of the Digital Living Network Alliance.

❖ Content playable over a network

- Even when encoded in a compatible format, some files may not play correctly.

- Some functions may not be supported depending on the server type or version used.
- Supported file formats vary by server. As such, files not supported by your server are not displayed on this unit. For more information check with the manufacturer of your server.

❖ Disclaimer for Third Party Content

Access to content provided by third parties requires a high speed Internet connection and may also require account registration and a paid subscription.

Third party content services may be changed, suspended, interrupted, or discontinued at any time without notice, and Pioneer disclaims any liability in connection with such occurrences.

Pioneer does not represent or warrant that content services will continue to be provided or available for a particular period of time, and any such warranty, express or implied, is disclaimed.

❖ About playback behavior over a network

- Playback may stall when the PC is switched off or any media files stored on it are deleted while playing content.
- If there are problems within the network environment (heavy network traffic, etc.) content may not be displayed or played properly (playback may be interrupted or stalled). For best performance, a 10BASE-T/100BASE-TX connection between the player and the PC is recommended.
- If several clients are playing simultaneously, as the case may be, playback is interrupted or stalled.
- Depending on the security software installed on a connected PC and the setting of such software, network connection may be blocked.

Pioneer is not responsible for any malfunction of the player and/or the **Source** function features due to communication errors/malfunctions associated with your network connection and/or your PC, or other connected equipment. Please contact your PC manufacturer or Internet service provider.

Windows Media is either a registered trademark or trademark of Microsoft Corporation in the United States and/or other countries.

This product includes technology owned by Microsoft Corporation and cannot be used or distributed without a license from Microsoft Licensing, Inc.

Microsoft®, Windows®7, Windows®Vista, Windows®XP, Windows®2000, Windows®Millennium Edition, Windows®98, and WindowsNT® are either registered trademarks or trademarks of Microsoft Corporation in the United States and/or other countries.

Playback file on the network

1 Press SOURCE to display the Source function.

The **Source** function can also be displayed by selecting **Source** from Home Menu, then pressing **ENTER**.

2 Select the server which contains the file you want to play.

3 Select the file you want to play.

Use **↑/↓** to select, then press **ENTER**.

❖ To end Source function

- ▶ Press **SOURCE**.

Disc/USB playback

1 Press SOURCE to display the Source function.

The **Source** function can also be displayed by selecting **Source** from Home Menu, then pressing **ENTER**.

2 Select Disc or USB.

Use **↑/↓** to select, then press **ENTER**.

3 Select Photo/Music/Video/AVCHD.

Use **↑/↓** to select, then press **ENTER**.

- This step is not for the discs that have been recorded with BDAV/VR/AVCREC format.
- To play files in AVCHD format on a USB device, create a folder named "AVCHD" on the USB device, then copy the "BDMV" folder containing which the files to be played into the "AVCHD" folder.

4 Select the title/track or file you want to play.

Use **↑/↓** to select, then press **ENTER**.

Playback starts from the selected title/track or file.

- If the file you want to play is in the folder, select the folder that contains the file first.

Playing back image files

❖ About Slideshow

A display of the files in the folder switches automatically.



Note

- Some BD-R/-RE discs have playback protection. To cancel the protection, input the password set for the disc.
- It may take a few seconds before playback starts. This is normal.
- It may not be possible to play some files properly.
- The number of views may be restricted.
- Depending on the connected devices and conditions, some time may be required for playback to start and for the image to switch.

Playing in the desired order (Playlist)

The discs that can add tracks and files to the **Playlist** are as shown below.

- DVDs/CDs/USB devices on which audio files are recorded

Adding tracks/files

Use this procedure to add tracks and files, and create the **Playlist**.

1 Press SOURCE to display the Source function.

The **Source** function can also be displayed by selecting **Source** from Home Menu, then pressing **ENTER**.

2 Select Disc or USB.

Load the disc beforehand.

Use **↑/↓** to select, then press **ENTER**.

3 Select the track/file to be added.

Use **→** to select.

4 Press POP UP MENU to display the POP UP MENU menu.

5 Select Add to Playlist to add to Playlist.

Use **↑/↓** to select, then press **ENTER**.

The track or file selected in step **3** is added to the **Playlist**.

- To add more tracks or files, repeat steps **3** to **5**.

Playing the Playlist

1 Press SOURCE to display the Source function.

The Source function can also be displayed by selecting **Source** from Home Menu, then pressing **ENTER**.

2 Select Playlist.

Use **↑/↓** to select, then press **ENTER**.

3 Select the track/file to be played.

Use **↑/↓** to select, then press **ENTER**.

Playback starts from the selected track/file and continues until the end of the list is reached. Use **◀◀/▶▶** to play the previous or next track/file. The Now Playing screen is displayed.

Deleting tracks/files from the Playlist

1 Select the track/file to be deleted, then press POP UP MENU to display the POP UP MENU menu.

2 Use ↑/↓ to select Remove from Playlist, then press ENTER.



Note

- In the following cases, all information in the playlist will be deleted.
 - When you open the disc tray.
 - When you turn off the power.

Chapter 6

Playing the web contents

You can enjoy some streaming contents on the Internet with the player.

Available web contents

- YouTube
- Picasa



Note

About YouTube

- This player supports the YouTube Leanback service.
- YouTube videos for mobile phones cannot be played.
- Some YouTube videos cannot be played.

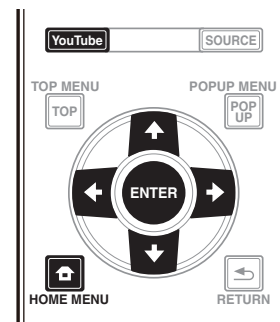
About Picasa

- Picasa is available only in English. Refer to instructions at <http://picasa.google.com/support/> for details.
 - Register your user name and password on the PC before you use Picasa Web Albums.
 - When you access Picasa from this player for the first time, select the New User icon and enter your registered user name and password.
- Depending on the Internet connection environment, it may not be possible to play web contents properly.
- To access to web contents, this player requires a broadband Internet connection. A contract with an Internet provider is required for a broadband Internet connection.
- Access to content provided by third parties requires a high speed Internet connection and may also require account registration and a paid subscription. Third party content services may be changed, suspended, interrupted, or discontinued at any time without notice, and Pioneer disclaims any liability in connection with such occurrences. Pioneer does not represent or warrant that content services will continue to be provided or available for a particular period of time, and any such warranty, express or implied, is disclaimed.
- Disc playback and this function cannot be used at the same time.

❖ About the function for restricting access to harmful information on the Internet

- This unit is equipped with a function for restricting viewing of web contents, etc., you do not want your children or others to see.
- To use this restriction function, change the Internet settings (page 44).

Playing the items



⚠ Caution

- You must connect the player to the Internet beforehand. See *Connecting to the network through LAN interface* on page 22 for the details.

1 Display the selection screen.

The selection screen can be selected by pressing

HOME MENU then selecting Web Contents → Desired web content.

2 Select the type of web contents.

Use **↑/↓** to select, then press **ENTER**.

3 Press **↑/↓/←/→** to select the item you want to play, then press **ENTER**.

Press **■** to stop playback.

❖ Enjoying YouTube

1 Display the YouTube screen.

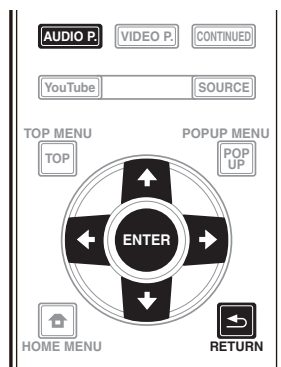
Press **YouTube**.

- For Playback/Stop/End, please refer to *Playing the items* above.

Setting the Audio/Video options

Changing the Audio options

There are a number of additional sound settings you can make using the Audio Parameter menu.



Operating the Audio Parameter screen

- 1 Press **AUDIO P.** to display the Audio Parameter screen.
- 2 Use **↑/↓** to select the setting you want to adjust, then press **ENTER**.
- 3 Use **←/→** to set as necessary, then press **ENTER**.

❖ Closing the Audio Parameter screen

Press **AUDIO P.** or **↶ RETURN**.



Note

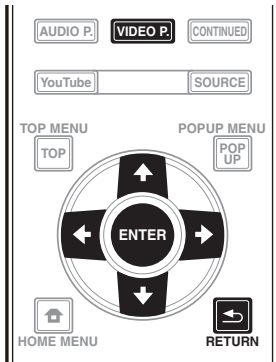
- It is not possible to open the Audio Parameter screen when any of the **Home Menu (Source, Web Contents, Initial Setup)**, Video Parameter, Function Menu, Disc Menu, YouTube or Picasa is being displayed.
- It is not possible to open the Audio Parameter screen while 3D contents are being played back.
- When **DIRECT** function is On, the Audio Parameter setting will not work.
- In Options, the factory default settings are indicated in bold.

Setting	Options	Explanation
Audio Scaler ¹ (BDP-LX88 only)	Manual	The Hi-bit32 , Up Sampling and Digital Filter can be configured to the desired settings.
	Auto	When Auto is selected, Hi-bit32 , Up Sampling and Digital Filter are automatically set to the optimum settings according to the 2-channel audio source's sampling frequency and bit rate to achieve high quality playback sound.
Hi-bit32 ^{1, 2} (BDP-LX88 only)	On	Creates a wider dynamic range with digital sources like CDs, DVDs or BDs. 16-, 20- and 24-bit PCM as well as compressed audio is requantized to 32 bits, and the high frequency component is interpolated upon data processing to enable smoother, more subtle musical expression.
	Off	
Up Sampling ^{1, 2, 3} (BDP-LX88 only)	x1 (Off)	The 2-channel audio source's sampling frequency is increased to the set multiple to achieve high quality playback sound.
	x2	
	x4	
Digital Filter ^{1, 2} (BDP-LX88 only)	Slow	Switches the AUDIO DAC (Digital Audio Converter) digital filter type. One of two settings can be selected: Slow (soft and warm), Sharp (solid and tight).
	Sharp	
Auto Sound Retriever (BDP-LX88 only)	Off	With the Auto Sound Retriever function, DSP processing is used to compensate for the loss of audio data upon compression, improving the sound's sense of density and modulation. ¹ Also, when a player supporting the Sound Retriever Link function is connected to the receiver by HDMI, by setting this to On , the bitrate information of the compressed audio file being played on the player is acquired using the Control with HDMI function, and the sound is optimized based on this information (Sound Retriever Link).
	On	
Audio Sync ⁴	Auto	The player automatically adjusts the timing of the video and audio when connected to a device equipped with the HDMI Audio Sync Correction feature using an HDMI cable.
	Manual	Adjust manually.
Audio Delay ⁵	0 to 200 (ms)	Some monitors have a slight delay when showing video, so the soundtrack will be slightly out of sync with the picture. By adding a bit of delay, you can adjust the sound to match the presentation of the video.

- 1 This is effective only on audio output from **ANALOG AUDIO OUT** terminals.
- 2
 - This can be set when **Manual** is selected for **Audio Scaler**.
 - This function does not work when the sampling frequency is 32 kHz.
- 3
 - This setting only affects 2-channel audio sources.
 - This function does not work when the **Auto Sound Retriever** setting is **On**.
- 4 The sound may be interrupted while setting the delay.
- 5 This is the **Audio Sync** setting which you can set only when **Auto** is selected. The set value is reflected after you stop or pause playing and play again.

Changing the Video options

There are a number of additional picture settings you can make using the Video Parameter menu.



Operating the Video Parameter screen

- 1 Press **VIDEO P.** to display the Video Parameter screen.
- 2 Use **↑/↓** to select the setting you want to adjust, then press **ENTER**.
- 3 Use **←/→** to set as necessary, then press **ENTER**.

❖ Closing the Video Parameter screen

Press **VIDEO P.** or **RETURN**.



Note

- It is not possible to open the Video Parameter screen when any of the **Home Menu (Source, Web Contents, Initial Setup)**, Audio Parameter, Function Menu, Disc Menu, YouTube or Picasa is being displayed.
- It is not possible to open the Video Parameter screen while 3D contents are being played back.
- Video Parameter options do not affect Blu-ray 3D pictures.
- The Video Parameter option is not effective when the **HDMI Mode** is set to **Pure Audio**.
- In Options, the factory default settings are indicated in bold.

Setting	Options	Explanation
Video Adjust	PJ Digital Cinema PJ Film Cinema PJ Live FPD Digital Cinema FPD Film Cinema FPD Live Reference Memory 1 to 3	Selections are made to suit the audio visual equipment in use and the material to be viewed and heard. Select either the PJ mode for viewing with a projector or the FPD mode for viewing with a flat panel television set. Select Digital Cinema when viewing the latest movies with CGIs and digital processing, Film Cinema when viewing conventional analog movies on film, and Live when viewing concert video. The Reference mode is a setting that inhibits video signal processing. This mode is selected when viewing the source as it is. If you want to adjust the picture quality settings to your personal tastes, select Memory 1 to Memory 3 (see <i>Adjusting the video</i> on page 40).
Progressive Motion ¹	-4 to +4 (Default 0)	Adjusts the motion and still picture quality when video output is set to progressive.
Pure Cinema	Auto On Off	This setting optimizes the operation of the progressive scanning circuit for playing film materials. Normally set it to Auto . If the picture seems unnatural, switch this to On or Off .
Stream Smoother	Off On	Use the image quality of the built-in circuit, make the image quality correction reduce block noise and mosquito noise, and improved sharpness feeling. This is effective for playing online or low bit rate video contents.
Film Grain ²	0 to +8 (Default 0)	Adds small particles of noise to give the effect of a movie film. The greater the number, the higher the granular quality.

- 1
 - **Progressive Motion** is disabled when **Pure Cinema** is set to **On**.
 - This setting have the effect only for pictures recorded in the interlaced scan format (480i/576i or 1080i signals).
- 2 The Film Grain function is effective on all videos, including on the Home menu screen.

❖ Adjusting the video

1 Select and set Video Adjust → Memory 1 or 2, 3.

Use **↑/↓** to select, then press **ENTER**.

2 Select Settings.

Use **↑/↓** to select, then press **ENTER**.

3 Select the item and change the setting.

Use **↑/↓** to select the item, then use **←/→** to change the setting. Once the setting is completed, press

↶ RETURN to close the settings screen.

List of setting items

Item	Description
YNR	Reduces noise in the luminance (Y) signal.
CNR	Reduces noise in the chroma (C) signal.
BNR	Reduces the block noise (block-shaped distortion generated upon MPEG compression).
MNR	Reduces the mosquito noise (distortion along the contours of the picture generated upon MPEG compression).
Detail	Adjust the clarity of the details of the picture.
Brightness	Select this to adjust the TV screen's brightness.
Contrast	Select this to adjust the TV screen's contrast.
Hue	Select this to adjust the color (green and red) balance of the TV screen.
Chroma Level	Adjusts the density of the colors.
S.Resolution ¹ (Super Resolution)	Detailed feel of materials and accurate outlines are reproduced. Setting is made by selecting one of 0 (Off), 1 , 2 or 3 and sharper images are delivered with greater values.

¹ This setting is effective only when video is output at 4K.

Chapter 8

Advanced settings



Changing the settings

Operating the Initial Setup screen





1 When playback is stopped, display the Home Menu screen.

Press  HOME MENU.

2 Select and set Initial Setup.

Use / to select, then press **ENTER**.

3 Select the item and change the setting.

Use /// to select, then press **ENTER**.

❖ Closing the Initial Setup screen

Press  HOME MENU or  RETURN.



Note

- The items that can be selected depend on the player's status.
- In Options, the factory default settings are indicated in bold.

Setting	Options	Explanation
Display Setting TV Screen	16:9 Full	Select this when connecting to a wide (16:9) TV.
	16:9 Normal	Select this when connected to a wide (16:9) TV. 4:3 pictures are displayed with vertical black bars along the sides.
	4:3 Pan&Scan	Select this when connecting to a 4:3 screen TV and playing a 16:9 video. The video will be played with the left and right sides of the image cut off to display on the 4:3 screen. (This function works if the disc is labeled for 4:3PS.)
	4:3 Letterbox	Select this when connecting to a 4:3 screen TV and playing a 16:9 video. The video will be played with black bands at the top and bottom.
Resolution	Auto	Select this to choose the resolution of the video signals output from the HDMI OUT terminal automatically.
	480p/576p	Output the video signals from the HDMI OUT terminal with the selected resolution.
	720p	The resolution can be changed by pressing RESOLUTION ▲/▼ .
	1080i	The resolution switches each time RESOLUTION ▲/▼ is pressed.
	1080p	
	1080/24p	
	4K	
	4K/24p	
Source Direct	Output is made with the resolution that matches the resolution of the contents.	

- When **1080/24p** or **4K/24p** is selected, the movement may be unnatural or the picture unclear, depending on the contents being played back. In such cases, set the resolution to something other than **1080/24p** or **4K/24p**.

Setting	Options	Explanation
Audio Output Digital Output	Bitstream	Select this to output digital audio signals directly.
	PCM	Select this to output digital audio signals converted to 2-channel audio signals.
	Re-encode	When a BD containing secondary audio and interactive audio is played, the two audio signals are mixed and converted to Dolby Digital audio or DTS audio for output.
	Off	Select this to output audio signals other than digital audio signals.
Downmix	Stereo	Surround audio signals converted to linear PCM audio signals are converted into 2-channel (stereo) signals for output.
	Lt/Rt	Surround for output (when the connected AV receiver or amplifier, etc., is compatible with Dolby Pro Logic, the AV receiver or amplifier outputs the linear PCM audio signals as surround audio signals).
Max Sampling Frequency	48k	Outputs audio signals that are limited to a sampling frequency below the set sampling frequency from the DIGITAL OUT terminal. Select according to the performance of the connected device.
	96k	
	192k	
<ul style="list-style-type: none"> • When playing back a sampling frequency file or a disk having a lower than or equal setting compared to the present setting, you can output it at the unchanged sampling frequency. • Sources with sampling frequencies of over 192 kHz cannot be played. • When playing copyright-protected discs or files, the signals are output with the sampling frequency limited to 48 kHz or below, regardless of this setting. 		
DRC (Dynamic Range Control)	Off	Select this to output audio signals without using the DRC function.
	On	Select this to adjust the range between the loudest and softest sounds (dynamic range) for playback at average volume. Use this when it is hard to hear dialog or when watching movies at midnight.
	Auto	Select to switch the DRC setting On/Off automatically according to the input audio signal from the disc. This only affects Dolby TrueHD signals.
<ul style="list-style-type: none"> • This affects such audio signals as Dolby Digital, Dolby TrueHD, and Dolby Digital Plus. • DRC affects audio signals output from the following audio output terminals: <ul style="list-style-type: none"> – Analog audio signals output from the AUDIO OUT terminals – Linear PCM audio signals output from the DIGITAL OUT or HDMI OUT terminals • Depending on the disc, the effect may be weak. • The effect may differ depending on the speakers, the AV amplifier settings, etc. 		
Precision Audio (BDP-LX88 only)	Auto	Precision Audio is a function and technology for high quality sound playback used according to the channel used for audio playback. Jitters, which detrimentally affect sound quality, occur when the transmission or processing of digital signals is performed. The effects of such jitters can be eliminated by processing signals with reference to a crystal oscillator, which is optimally suited to act as a standard for audio signals. Select Auto mode when automatically operating the unit according to the status of connected devices.
	HDMI(PQLS)	Select the HDMI (PQLS) mode when operating the unit for HDMI output. The PQLS function will operate in such cases.
	Analog	Select Analog mode when operating the unit for analog audio output from the main unit. The signal processing for audio signals made with reference to the highly accurate crystal oscillator is performed inside the main unit.
	Off	Select the Off mode when not using the Precision Audio function.
XLR Terminal Polarity (BDP-LX88 only)	Normal	Set Pin 2 on the XLR terminal to normal phase (Hot) and Pin 3 to the reverse phase (Cold).
	Inversion	Set Pin 2 on the XLR terminal to reverse phase (Cold) and Pin 3 to the normal phase (Hot).

Setting	Options	Explanation	
HDMI	HDMI Mode	Dual	Video and audio are output simultaneously from the two HDMI OUT terminals. Select this when you want to output video and audio to two TV sets simultaneously.
		Separate	Select this when you want to output the video and audio separately, the video from the HDMI OUT (MAIN) terminal, the audio from the HDMI OUT (SUB) terminal.
		Pure Audio	Select this to enjoy music only with a better sound quality when devices are connected to both HDMI output terminals. With this setting, music is output from the HDMI OUT (SUB) terminal only, and video signals are only output from the HDMI OUT (MAIN) terminal when DISPLAY is pressed.
		Single	This is selected when connecting a device for use with the HDMI OUT (MAIN) terminal only.
Also refer to <i>Setting the HDMI Mode</i> on page 17.			
Color Space	RGB	Select this to output the video signals as RGB signals. Choose this if the colors seem too faint and the black seems too bright.	
	YCbCr	Select this to output the video signals as YCbCr 4:4:4 signals.	
	YCbCr 422	Select this to output the video signals as YCbCr 4:2:2 signals.	
	Full RGB	Select this to output the video signals as RGB signals. Choose this if the colors seem too dense and all the dark colors are displayed in a uniform black.	
HDMI Audio Out	Bitstream	Select this to output HDMI audio signals directly.	
	PCM	Select this to output HDMI audio signals converted to PCM audio signals.	
	Reencode	When a BD containing secondary audio and interactive audio is played, the two audio signals are mixed and converted to Dolby Digital audio or DTS audio for output.	
Control	On	Select this to control the player with the remote control of the connected AV device using an HDMI cable. Also refer to page 17.	
	Off	Select this when you do not want to control the player with the remote control of the connected AV device using an HDMI cable.	
To use Sound Retriever Link and PQLS function (pages 17), Control must be set to On .			
HDMI Deep Color	30bits	Select this when outputting the video signals with 30-bit color.	
	36bits	Select this when outputting the video signals with 36-bit color.	
	Off	Select this when outputting the video signals with normal 24-bit color.	
When [30bits] or [36bits] is selected, set the color space (page 43) to a setting other than YCbCr 422 .			
HDMI 3D	Auto	With 3D discs, the disc is played with 3D images.	
	Off	3D images are not played.	
3D Notice	Yes	This sets whether or not to display the 3D notice when playing 3D images.	
	No		
Network	IP Address Setting	Select this to set the IP address of the player and DNS server (page 46).	
	Proxy Server	Only set the proxy server if so instructed by your Internet service provider (page 46).	
	Information	Displays the values of the MAC address, IP address, subnet mask, default gateway, DNS server (primary) and DNS server (secondary).	
	Connection Test	Select this to test the network connection (page 46).	
	BD-Live Connection	Permitted	All discs are allowed to connect to BD-LIVE.
		Partial Permitted	Only discs whose safety has been confirmed are allowed to connect to BD-LIVE.
		Prohibited	No disc is allowed to connect to BD-LIVE.
DLNA	Enable	Select this when connecting to DLNA server.	
	Disable	Select this when not connecting to DLNA server.	

	Setting	Options	Explanation
Language	OSD	available languages	Choose a language for the on-screen displays from the listed languages.
	Audio	available languages	Choose a language from the listed languages to set the default audio language for BD-ROM and DVD-Video playback.
			* For some discs, it may not be possible to change to the selected language.
			If a language not recorded on the BD/DVD is set, one of the recorded languages is automatically selected for playback.
	Subtitle	available languages	Choose a language from the listed languages to set the default subtitle language for BD-ROM and DVD-Video playback.
		* For some discs, it may not be possible to change to the selected language.	
		If a language not recorded on the BD/DVD is set, one of the recorded languages is automatically selected for playback.	
	Menu	available languages	Choose a language from the listed languages to set the default language for BD-ROM and DVD-Video menus.
			* For some discs, it may not be possible to change to the selected language.
			If a language not recorded on the BD/DVD is set, one of the recorded languages is automatically selected for playback.
Playback	Angle Mark	On	Select this to display the angle mark on the TV screen (page 28).
		Off	Select this if you do not want to display the angle mark on the TV screen.
	PIP Mark	On	Select this to display the PIP mark on the TV screen.
		Off	Select this if you do not want to display the PIP mark on the TV screen.
	Secondary Audio Mark	On	Select this to display the secondary audio mark on the TV screen (page 32).
		Off	Select this if you do not want to display the secondary audio mark on the TV screen.
	DivX [®] VOD DRM	Registration Code	Displays the player's registration code required to play DivX VOD files (page 10).
	DVD Playback	DVD Audio	Select this to play only the audio part on the DVD-Audio disc.
		DVD Video	Select this to play only the video part on the DVD-Audio disc.
			* This setting is for DVD-Audio disc playback.
Internet Setting	Permitted	Web contents can be watched without entering the password.	
	Partial Permitted	The password must be entered to watch web contents.	
	Prohibited	No web contents can be watched.	
		To restrict the viewing of web contents, etc., by children or others, select [Partial Permitted] or [Prohibited].	
Disc Auto Playback	On	Discs are played automatically after they are loaded.	
	Off	Loaded discs do not start playing automatically.	
Last Memory	On	Select this to save the point at which you last stopped playback, even after the disc tray is opened or you switch to the standby mode.	
	Off	Select this when you want to use only Continue Viewing Play (page 33).	
		Use of a disk that does not support the function is not possible.	
PBC (Play Back Control)	On	Select this to play Video-CDs (version 2.0) compatible with PBC using the disc menu.	
	Off	Select this to play Video-CDs (version 2.0) compatible with PBC without using the disc menu.	
Setup Navigator		Start making the settings using the Setup Navigator menu. For details, see page 23.	
Security	Change Password		Register (change) the password for parental lock settings or for unlocking to play DVD-Videos with the parental lock feature (page 47). The default password is "0000".
	Parental Control		Change the player's parental lock level (page 47).
	Country Code		Change the Country/Area code (page 47).

Setting	Options	Explanation
Options Screen Saver	Off	The screen saver is not activated.
	1 min	• The screen saver will be activated if no operation has been performed for more than one minute/two minutes/three minutes.
	2 min 3 min	• During operation of the screen saver, [SCREENSaver] is displayed on the front panel display. • Operating the remote control can deactivate the screen saver.
Auto Power Off	Off	Select this if you do not want the power to turn off automatically. This is the default setting for models other than European models.
	15 min	The power will be automatically turned off if no operation has been performed for more than 15 minutes or 30 minutes. The default setting for European models is 15 minutes.
	30 min	
Network Standby	On	Select this if you want to input power from a mobile device using a dedicated application (page 6).
	Off	Select this if you do not want to use the Network Standby function (described above).
Update	USB Storage	Select the method of software updating (page 48).
	Network	
Load Default	Restore the settings to the factory default.	
System Information	Check the system version number.	
BUDA	BUDA Information	Display and set up the BUDA data on the connected USB device (page 46).
	BUDA Setup	

❖ Setting the IP address

1 Select and set Network → IP Address Setting → Next Screen.

Use **↑/↓** to select, then press **ENTER**.

2 Set IP address.

Use **↑/↓/←/→** to set the IP address of the player or DNS server, then press **ENTER**.

• Auto Set IP Address

On – The player's IP address is obtained automatically. Select this when using a broadband router or broadband modem that has a DHCP (Dynamic Host Configuration Protocol) server function. This player's IP address will automatically be allocated from the DHCP server.

Off – The player's IP address must be set manually. Use the number buttons (0 to 9) to input the IP address, subnet mask and default gateway.

Caution

- Some time is required for the IP address setting.

Note

- Once the IP address is set, select [Connection Test] to check that the unit is properly connected.
- For information on the DHCP server function, refer to the operating instructions for the network device.
- You may need to contact your Internet service provider or network administrator when inputting the IP address manually.

❖ Setting the proxy server

Only set the proxy server if so instructed by your Internet service provider.

1 Select and set Network → Proxy Server → Next Screen.

Use **↑/↓** to select, then press **ENTER**.

2 Select and set Use or Not use at Proxy Server.

Use **←/→** to change, then press **↓**.

- **Use** – Select this when using a proxy server.
- **Not use** – Select this when not using a proxy server.

If you have selected **Use**, proceed to step **3**.

3 Select and set Server Select Method.

Use **←/→** to change, then press **↓**.

- **IP Address** – Input the IP address.
- **Server Name** – Input the server name.

4 Input IP Address or Server Name.

Use the number buttons (0 to 9) to input the number if you select IP address in step **3**. Use **←/→** to move the cursor.

When Server Name is selected in step **3**, use the number buttons (0 to 9) to launch the software keyboard. Now use **↑/↓/←/→** to select characters and items, then press **ENTER** to input.

5 Input Port Number.

Press **↓**, then use the number buttons (0 to 9) to input the number.

6 Press ENTER to set.

❖ Displaying the network settings

▶ Select and set Network → Information → Next Screen.

Use **↑/↓** to select, then press **ENTER**.

The MAC address, IP address, subnet mask, default gateway and DNS server (primary and secondary) settings are displayed.

When **Auto Set IP Address** is set to **On**, the values obtained automatically are displayed.

Note

- "0.0.0.0" is displayed when each IP address has not been set.

❖ Testing the network connection

▶ Select and set Network → Connection Test → Start.

Use **↑/↓** to select, then press **ENTER**.

"Network is OK." is displayed once the test is completed. If any other message is displayed, check the connections and/or settings (pages 22 and page 46).

❖ Changing to other language at language setting

1 Select and set Language.

Use **↑/↓** to select, then press **ENTER**.

2 Select and set OSD, Audio, Subtitle or Menu.

Use **↑/↓** to select, then press **ENTER**.

3 Select and set the desired language.

Use **↑/↓** to select, then press **ENTER**.

Note

- If a language not recorded on the BD/DVD is set, one of the recorded languages is automatically selected and played.

❖ Erasing data that has been added to BDs and application data

Use this procedure to erase data that has been added to BDs (data downloaded with the BD-LIVE function and data used with the BONUSVIEW function) and application data.

Caution

- Some time is required to erase the data.
- Do not unplug the power cord while data is being erased.

1 Select and set Options → BUDA → BUDA Setup.
Use **↑/↓** to select, then press **ENTER**.

2 Select and set Fmt buda.
Press **ENTER**.

❖ Registering or Changing the password

Use this procedure to register or change the code number required for the Parental Lock settings.

About default password of this unit

The default password is "0000".

- This unit might ask you to enter a password when you change the password.
- If you reset this unit, your password is simultaneously changed to the default setting.

1 Select and set Security → Change Password → Next Screen.

Use **↑/↓** to select, then press **ENTER**.

2 Input the password.

Use the number buttons (0 to 9) to input the number, then press **ENTER** to set.

Use **←/→** to move the cursor.

3 Re-input the password.

Use the number buttons (0 to 9) to input the number, then press **ENTER** to set.

Use **←/→** to move the cursor.

- To change the password, input the previously registered password, then input the new password.



Note

- We recommend making a note of the password.
- If you have forgotten the password, reset the player to the factory default setting, then register the password again (page 48).

❖ Changing the Parental Lock level for viewing DVDs/BD-ROMs

Some DVD-Video discs containing scenes of violence, for example, have Parental Lock levels (check the indications on the disc's jacket or elsewhere). To restrict viewing these discs, set the player's level to the level lower than the discs.

1 Select and set Security → Parental Control → Next Screen.

Use **↑/↓** to select, then press **ENTER**.

2 Input the password.

Use the number buttons (0 to 9) to input the number, then press **ENTER** to set.

Use **←/→** to move the cursor.

3 Change the level.

Use **←/→** to change, then press **ENTER** to set.



Note

- The level can be set to Off or between **Level1** and **Level8**. When set to Off, viewing is not restricted.

❖ Changing the Country/Area code

1 Select and set Security → Country Code → Next Screen.

Use **↑/↓** to select, then press **ENTER**.

2 Input the password.

Use the number buttons (0 to 9) to input the number, then press **ENTER** to set.

Use **←/→** to move the cursor.

3 Change the country/area code.

Use **←/→** to change, then press **ENTER** to set. Refer to page 51.

Software updating

The player's software can be updated using one of the methods shown below.

- Connecting to the Internet.
- Using a USB flash drive.

Product information on this player is provided on the Pioneer website. Check the website shown on page 6 for update and service information on your Blu-ray disc player.

Caution

- Do not perform the actions below while the software is being updated. Doing so will interrupt updating and could lead to malfunction.
 - Disconnecting a USB memory device
 - Unplugging the power cord
 - Pressing the **STANDBY/ON** button.
- There are two processes for software updating, downloading and updating. Both processes may take a certain period of time.
- Other operations are defeated during software updating. Furthermore, updating process cannot be canceled.


❖ Updating connecting to the Internet

1 Connect to the Internet.


2 When playback is stopped, display the Home Menu screen.

Press  HOME MENU.

3 Select and set Initial Setup.

Use  to select, then press **ENTER**.

4 Select and set Options → Update → Network → Start.

Use  to select, then press **ENTER**.

5 Updating starts.

Press **ENTER**.

- Software updating may take a certain period of time.
- When updating is completed, the unit restarts automatically.

❖ Updating using a USB flash drive

Note

- When an update file is provided on the Pioneer website, use your computer to download it onto a USB flash drive. Carefully read the instructions on downloading update files provided on the Pioneer website.
- Store the update file in the root directory of the USB flash drive. Do not store it within a folder.
- Do not put any files other than the update file on the USB flash drive.


- This unit supports USB flash drives formatted in FAT32, FAT16 or NTFS. When formatting a USB flash drive on your computer, do so with the settings below.
 - File system: FAT32
 - Allocation unit size: Default allocation size
- Only store the most recent update file on the USB flash drive.
- Do not use a USB extension cable to connect a USB flash drive to the player. Using a USB extension cable may prevent the player from performing correctly.

1 Plug in the USB flash drive on which the update file is stored.


2 When playback is stopped, display the Home Menu screen.

Press  HOME MENU.

3 Select and set Initial Setup.

Use  to select, then press **ENTER**.

4 Select and set Options → Update → USB Storage → Start.

Use  to select, then press **ENTER**.

5 Updating starts.

Press **ENTER**.

- Software updating may take a certain period of time.
- When updating is completed, the unit restarts automatically.


Restoring all the settings to the factory default settings

1 Check that the player's power is turned on.


2 When playback is stopped, display the Home Menu screen.

Press  HOME MENU.


3 Select and set Initial Setup.

Use  to select, then press **ENTER**.

4 Select and set Options → Load Default → Next Screen.

Use  to select, then press **ENTER**.

5 Select and set OK.

Use  to select, then press **ENTER**.

Note

- After restoring all the settings to the factory default settings, use **Setup Navigator** to reset the player (page 23).
- When disposing of the product, we recommend you reset it to the factory default setting to delete the data.

Setting the backlight mode

- Default setting : **01** (normal mode)


The backlight lighting pattern can be selected from among four modes, in consideration of convenience and battery service life.



Caution

- The setting may be restored to the default after the batteries are replaced. If this happens, reset it.

▶ Input the 2-digit code you want to set.

Press the number buttons (0 to 9) to input the code while pressing  **LIGHT**.

- **01** (normal mode) : The backlight is turned on and off with the light button. After it lights, it turns off automatically if no operation is performed for 10 seconds.
- **02** (frequent lighting mode) : The backlight turns on when any button on the remote control is pressed. It is turned off with the light button. After it lights, it turns off automatically if no operation is performed for 20 seconds.
- **03** (eco mode) : The backlight is turned on and off with the light button. After it lights, it turns off automatically if no operation is performed for 5 seconds.
- **04** (off mode) : The backlight does not turn on even when the light button is pressed.

If the backlight LED lights for three seconds and continues to flash, the setting has been successfully completed.

If the backlight LED flashes, the setting has failed.

About how digital audio formats are output

Setting	Bitstream		PCM		Re-encode		
Method of conversion	Only the primary audio (the main sound for movies, etc.) is output. The secondary audio and interactive audio are not output.		The primary audio, secondary audio and interactive audio are converted into PCM audio and output simultaneously. ¹		The primary audio, secondary audio and interactive audio are converted into PCM audio then converted again into Dolby Digital audio or DTS audio and output simultaneously. ²		
Output terminal(s)	HDMI OUT terminal	DIGITAL OUT terminal	HDMI OUT terminal	DIGITAL OUT terminal	HDMI OUT terminal	DIGITAL OUT terminal	AUDIO OUTPUT terminal
Audio type							
Dolby Digital	Dolby Digital	Dolby Digital	PCM 5.1ch				
Dolby Digital Plus	Dolby Digital Plus	Dolby Digital	PCM 7.1ch		Dolby Digital	Dolby Digital	
Dolby TrueHD³	Dolby TrueHD	Dolby Digital	PCM 7.1ch				
DTS Digital Surround	DTS Digital Surround	DTS Digital Surround	PCM 5.1ch				
DTS-HD High Resolution Audio³	DTS-HD High Resolution Audio	DTS Digital Surround	PCM 7.1ch	PCM 2 ch ⁴	DTS Digital Surround	DTS Digital Surround	2 ch ⁴
DTS-HD Master Audio³	DTS-HD Master Audio	DTS Digital Surround	PCM 7.1ch				
PCM	PCM 7.1ch	PCM 2 ch ⁴	PCM 7.1ch		Dolby Digital	Dolby Digital	
AAC	AAC	AAC	PCM 5.1ch		AAC	AAC	
SACD (DSD)³	DSD ⁵	PCM 2 ch ⁶	PCM 5.1ch	PCM 2 ch ⁶	PCM 5.1ch	PCM 2 ch ⁶	2 ch ⁶

1. In case of Quick View (Quick view with audio), the audio output will be equal to the PCM setting regardless of any other settings. The LFE channel, however, is not output (5.1 → 5.0, 7.1 → 7.0).
2. If there is no secondary audio or interactive audio, depending on the disc the signals may be output without being re-encoded.
3. Quick View (Quick view with audio) function cannot be performed.
4. For multi-channel audio, the sound is converted into 2-channel audio for output.
5. When **Resolution** is set to **480P**, or even when it is set to **Auto**, if the connected device does not support 480i/480p, the DSD multi-channel audio of SACDs is output in two channels, front left and front right (page 41).
6.
 - When **HDMI Audio Out** is set to **Bitstream**, sound may not be produced in some cases (page 43).
 - Depending on the settings, for DSD multi-channel audio, 2 channels are output on the front left and right.

Note

- Depending on the disc, the number of channels may differ.
- Depending on the connected HDMI device, the HDMI output audio and number of channels may differ.
- The HDMI output audio and number of channels may differ when **Resolution** is set to **480P**, as well as when set to **Auto** if the connected device only supports 480i/480p.
- Three types of audio are recorded on BD video discs.
 - Primary audio: The main sound.
 - Secondary audio: Additional sound added supplementarily, such as comments by directors, actors, etc.
 - Interactive audio: Sounds such as clicks heard when operations are performed. The interactive audio differs from disc to disc.

Language Code Table and Country/Area Code Table

Language Code Table

Language name, language code, input code

Abkhazian, ab/abk , 0102	French, fr/fra , 0618	Malagasy, mg/mlg , 1307	Slovenian, sl/slv , 1912
Afar, aa/aar , 0101	Galician, gl/glg , 0712	Malay, ms/msa , 1319	Somali, so/som , 1915
Afrikaans, af/afz , 0106	Georgian, ka/kat , 1101	Malayalam, ml/mal , 1312	Sotho, Southern, st/sot , 1920
Albanian, sq/sqi , 1917	German, de/deu , 0405	Maltese, mt/mlt , 1320	Spanish, es/spa , 0519
Amharic, am/amh , 0113	Greek, el/ell , 0512	Maori, mi/mri , 1309	Sundanese, su/sun , 1921
Arabic, ar/ara , 0118	Guarani, gn/grn , 0714	Marathi, mr/mar , 1318	Swahili, sw/swa , 1923
Armenian, hy/hye , 0825	Gujarati, gu/guj , 0721	Mongolian, mn/mon , 1314	Swati, ss/ssw , 1919
Assamese, as/asm , 0119	Hausa, ha/hau , 0801	Moldavian, mo/mol , 1315	Swedish, sv/swe , 1922
Aymara, ay/aym , 0125	Hebrew, iw/heb , 0923	Nauru, na/nau , 1401	Tagalog, tl/tgl , 2012
Azerbaijani, az/aze , 0216	Hindi, hi/hin , 0809	Nepali, ne/nep , 1405	Tajik, tg/tgk , 2007
Bashkir, ba/bak , 0201	Hungarian, hu/hun , 0821	Norwegian, no/nor , 1415	Tamil, ta/tam , 2001
Basque, eu/eus , 0521	Icelandic, is/isl , 0919	Occitan, oc/oci , 1503	Tatar, tt/tat , 2020
Belarusian, be/bel , 0205	Indonesian, in/ind , 0914	Oriya, or/ori , 1518	Telugu, te/tel , 2005
Bengali, bn/ben , 0214	Interlingua, ia/ina , 0901	Oromo, om/orm , 1513	Thai, th/tha , 2008
Bihari, bh/bih , 0208	Interlingue, ie/ile , 0905	Panjabi, pa/pan , 1601	Tibetan, bo/bod , 0215
Bislama, bi/bis , 0209	Inupiaq, ik/ipk , 0911	Persian, fa/fas , 0601	Tigrinya, ti/tir , 2009
Breton, br/bre , 0218	Irish, ga/gle , 0701	Polish, pl/pol , 1612	Tonga (Tonga Islands), to/ton , 2015
Bulgarian, bg/bul , 0207	Italian, it/ita , 0920	Portuguese, pt/por , 1620	Tsonga, ts/tso , 2019
Burmese, my/mya , 1325	Japanese, ja/jpn , 1001	Pushto, ps/pus , 1619	Tswana, tn/tsn , 2014
Catalan, ca/cat , 0301	Javanese, jw/jav , 1023	Quechua, qu/que , 1721	Turkmen, tk/tuk , 2011
Central Khmer, km/khm , 1113	Kalaallisut, kl/kal , 1112	Romanian, ro/ron , 1815	Turkish, tr/tur , 2018
Chinese, zh/zho , 2608	Kannada, kn/kan , 1114	Romansch, rm/roh , 1813	Twi, tw/twi , 2023
Corsican, co/cos , 0315	Kashmiri, ks/kas , 1119	Rundi, rn/run , 1814	Ukrainian, uk/ukr , 2111
Croatian, hr/hrv , 0818	Kazakh, kk/kaz , 1111	Russian, ru/rus , 1821	Urdu, ur/urd , 2118
Czech, cs/ces , 0319	Kinyarwanda, rw/kin , 1823	Samoan, sm/smo , 1913	Uzbek, uz/uzb , 2126
Danish, da/dan , 0401	Kirghiz, ky/kir , 1125	Sango, sg/sag , 1907	Vietnamese, vi/vie , 2209
Dutch, nl/nld , 1412	Korean, ko/kor , 1115	Sanskrit, sa/san , 1901	Volapük, vo/vol , 2215
Dzongkha, dz/dzo , 0426	Kurdish, ku/kur , 1121	Scottish Gaelic, gd/gla , 0704	Welsh, cy/cym , 0325
English, en/eng , 0514	Lao, lo/lao , 1215	Serbian, sr/srp , 1918	Western Frisian, fy/fry , 0625
Esperanto, eo/epo , 0515	Latin, la/lat , 1201	Serbo-Croatian, sh/-- , 1908	Wolof, wo/wol , 2315
Estonian, et/est , 0520	Latvian, lv/lav , 1222	Shona, sn/sna , 1914	Xhosa, xh/xho , 2408
Finnish, fi/fin , 0609	Lingala, ln/lin , 1214	Sindhi, sd/snd , 1904	Yiddish, ji/yid , 1009
Fijian, fj/fij , 0610	Lithuanian, lt/lit , 1220	Sinhalese, si/sin , 1909	Yoruba, yo/yor , 2515
Faroese, fo/fao , 0615	Macedonian, mk/mkd , 1311	Slovak, sk/slk , 1911	Zulu, zu/zu , 2621

Country/Area Code Table

Country/Area name, Country/Area code, input code

Anguilla, ai , 0109	Estonia, ee , 0505	Luxembourg, lu , 1221	Slovakia, sk , 1911
Antigua and Barbuda, ag , 0107	Finland, fi , 0609	Macedonia, the Former Yugoslav Republic of, mk , 1311	Slovenia, si , 1909
Argentina, ar , 0118	France, fr , 0618	Malaysia, my , 1325	Spain, es , 0519
Armenia, am , 0113	Georgia, ge , 0705	Malta, mt , 1320	Suriname, sr , 1918
Australia, au , 0121	Germany, de , 0405	Mexico, mx , 1324	Sweden, se , 1905
Austria, at , 0120	Greece, gr , 0718	Moldova, Republic of, md , 1304	Switzerland, ch , 0308
Azerbaijan, az , 0126	Greenland, gl , 0712	Monaco, mc , 1303	Taiwan, Province of China, tw , 2023
Bahamas, bs , 0219	Grenada, gd , 0704	Montserrat, ms , 1319	Tajikistan, tj , 2010
Barbados, bb , 0202	Guyana, gy , 0725	Netherlands, nl , 1412	Thailand, th , 2008
Belarus, by , 0225	Haiti, ht , 0820	New Zealand, nz , 1426	Trinidad and Tobago, tt , 2020
Belgium, be , 0205	Hong Kong, hk , 0811	Norway, no , 1415	Tunisia, tn , 2014
Belize, bz , 0226	Hungary, hu , 0821	Pakistan, pk , 1611	Turkey, tr , 2018
Bermuda, bm , 0213	Iceland, is , 0919	Peru, pe , 1605	Turkmenistan, tm , 2013
Brazil, br , 0218	India, in , 0914	Philippines, ph , 1608	Turks and Caicos Islands, tc , 2003
Bulgaria, bg , 0207	Indonesia, id , 0904	Poland, pl , 1612	Ukraine, ua , 2101
Canada, ca , 0301	Ireland, ie , 0905	Portugal, pt , 1620	United Kingdom, gb , 0702
Cayman Islands, ky , 1125	Israel, il , 0912	Puerto Rico, pr , 1618	United States, us , 2119
Chile, cl , 0312	Italy, it , 0920	Romania, ro , 1815	Uruguay, uy , 2125
China, cn , 0314	Jamaica, jm , 1013	Russian Federation, ru , 1821	Uzbekistan, uz , 2126
Colombia, co , 0315	Japan, jp , 1016	Saint Kitts and Nevis, kn , 1114	Venezuela, ve , 2205
Croatia, hr , 0818	Kazakhstan, kz , 1126	Saint Lucia, lc , 1203	Virgin Islands, British, vg , 2207
Cyprus, cy , 0325	Korea, Republic of, kr , 1118	Saint Vincent and the Grenadines, vc , 2203	
Czech Republic, cz , 0326	Kyrgyzstan, kg , 1107	San Marino, sm , 1913	
Denmark, dk , 0411	Latvia, lv , 1222	Singapore, sg , 1907	
Dominica, dm , 0413	Liechtenstein, li , 1209		
Dominican Republic, do , 0415	Lithuania, lt , 1220		

Additional information

Cautions on use

Moving the player

If you need to move this unit, first remove the disc if there's one loaded, and close the disc tray. Next, press **⏻ STANDBY/ON** to switch the power to standby, checking that the **POWER OFF** indication on the front panel display goes off. Wait at least 10 seconds. Lastly, disconnect the power cord.

Never lift or move the unit during playback — discs rotate at a high speed and may be damaged.

Place of installation

Select a stable place near the TV and AV system to which the unit is connected.

Do not place the player on top of a TV or color monitor. Keep it away from cassette decks or other components easily affected by magnetism.

Avoid the following types of places:

- Places exposed to direct sunlight
- Humid or poorly ventilated places
- Extremely hot or cold places
- Places subject to vibration
- Places in which there is much dust or cigarette smoke
- Places exposed to soot, steam or heat (in kitchens, etc.)

❖ Do not place objects on top

Do not place objects on top of the player.

❖ Do not obstruct the ventilation holes

Do not use the player on a shaggy rug, bed, or sofa, and do not cover the player with a cloth, etc. Doing so will prevent heat dissipation and could lead to damage.

❖ Keep away from heat

Do not place the player on top of an amplifier or other device generating heat. When installing in a rack, to avoid the heat generated by the amplifier and other devices, place it on a shelf below the amplifier whenever possible.

Turn the power off when not using the player

Depending on the conditions of the TV broadcast signals, striped patterns may appear on the screen when the TV is turned on while the player's power is turned on. This is not a malfunction with the player or TV. If this happens, turn the player's power off. In the same way, noise may be heard in the sound of a radio.

Condensation

If the player is moved suddenly from a cold place into a warm room (in winter, for example) or if the temperature in the room in which the player is installed rises suddenly due to a heater, etc., water droplets (condensation) may form inside (on operating parts and the lens). When condensation is present, the player will not operate properly and playback is not possible. Let the player stand at room temperature for 1 or 2 hours with the power turned on (the time depends on the extent of condensation). The water droplets will dissipate and playback will become possible.

Condensation can also occur in the summer if the player is exposed to the direct wind from an air-conditioner. If this happens, move the player to a different place.

Cleaning the player

Normally, wipe the player with a soft cloth. For tough dirt, apply some neutral detergent diluted in 5 to 6 parts water to a soft cloth, wring out thoroughly, wipe off the dirt, then wipe again with a dry cloth.

Note that getting alcohol, thinner, benzene or insecticide on the player could cause the print and coating to peel off. Also, avoid leaving rubber or vinyl products in contact with the player for long periods of time, as this could damage the cabinet.

When using chemical-impregnated wipes, etc., read the wipe's cautions carefully.

Unplug the power cord from the power outlet when cleaning the player.

Caution for when the unit is installed in a rack with a glass door

Do not press the **▲ OPEN/CLOSE** on the remote control to open the disc tray while the glass door is closed. The door will hamper the movement of the disc tray, and the unit could be damaged.

Cleaning the pickup lens

The player's lens should not become dirty in normal use, but if for some reason it should malfunction due to dust or dirt, consult your nearest Pioneer authorized service center. Although lens cleaners for players are commercially available, we advise against using them since some may damage the lens.

Handling discs

Do not use damaged (cracked or warped) discs.

Do not scratch the disc's signal surface or let it get dirty.

Do not load more than one disc into the player at a time.

Do not glue paper or put stickers onto the disc, or use a pencil, ball-point pen or other sharp-tipped writing instrument. These could all damage the disc.



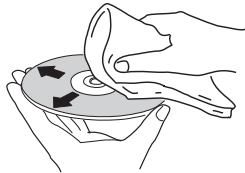
❖ Storing discs

Always store discs in their cases, and place the cases vertically, avoiding places exposed to high temperatures or humidity, direct sunlight or extremely low temperatures.

Be sure to read the cautions included with the disc.

❖ Cleaning discs

It may not be possible to play the disc if there are fingerprints or dust on it. In this case, using a cleaning cloth, etc., to wipe the disc gently from the center toward the outer edge. Do not use a dirty cleaning cloth.



Do not use benzene, thinner or other volatile chemicals. Also do not use record spray or antistatic agents.

For tough dirt, apply some water to a soft cloth, wring out thoroughly, wipe off the dirt, then wipe off the moisture with a dry cloth.

❖ Specially shaped discs

Specially shaped discs (heart-shaped, hexagonal, etc.) cannot be used on this player. Never use such discs, as they will damage the player.



❖ Condensation on discs

If the disc is moved suddenly from a cold place into a warm room (in winter, for example), water droplets (condensation) may form on the disc surface. Discs will not play properly if there is condensation on them. Carefully wipe off the water droplets from the disc surface before using the disc.

Troubleshooting

Incorrect operation is often mistaken for trouble or malfunction. If you think that there is something wrong with this component, check the points below. Sometimes the trouble may lie in another component. Inspect the other components and electrical appliances being used. If the trouble cannot be rectified even after checking the points below, ask your nearest Pioneer authorized service center or your dealer to carry out repair work.

Playback

Problem	Check	Remedy
<ul style="list-style-type: none"> • Disc does not play. • Disc tray opens automatically. 	Is the disc one that is playable on this player?	<ul style="list-style-type: none"> • Check whether the disc is one that can be played on this player (page 7). • Discs that have not been finalized cannot be played.
	Is the file one that is playable on this player?	<ul style="list-style-type: none"> • Check whether the file is one that can be played on this player (page 10). • Check whether or not the file is damaged.
	Is the disc scratched?	It may not be possible to play scratched discs.
	Is the disc dirty?	Clean the disc (page 53).
	Is there a piece of paper or sticker attached to the disc?	The disc may be warped and unplayable.
	Is the disc properly set in the disc tray?	<ul style="list-style-type: none"> • Set the disc with the printed side facing up. • Set the disc properly in the depression in the disc tray.
	Is the region number correct?	See page 9 for the region numbers of discs that can be played on this player.
No picture is displayed or the picture is not displayed properly.		<ul style="list-style-type: none"> • Eliminate any condensation inside the unit (page 52). • Depending on how the disc was recorded, the status of the pickup and compatibility between the disc being used and this unit, it may not be possible to play the disc properly. • If the recorded time is short, it may not be possible to play the disc properly. • BD-RE/-R discs recorded in formats other than BDMV or BDAV cannot be played.
	Is the HDMI cable properly connected?	<ul style="list-style-type: none"> • Connect the cable properly according to the connected devices (page 16). • Disconnect the cable, then reinsert it firmly and all the way in. • TV or any other device which outputs video signals must be connected to the HDMI OUT (MAIN) terminal (page 16).
	Is the HDMI cable damaged?	If the cable is damaged, replace it with a new one.
	Is the input setting on the connected TV or AV receiver or amplifier right?	Read the operating instructions for the connected components and switch to the proper input.
	Is the output video resolution properly set?	Switch the resolution at which the video and audio are output by pressing RESOLUTION ▲/▼ .
	Is the player connected with an HDMI cable other than a High Speed HDMI [®] /TM cable (with a Standard HDMI [®] /TM cable)?	Connect the player to the TV using a High Speed HDMI [®] /TM cable.
	Is a DVI device connected?	The picture may not be displayed properly if a DVI device is connected.
	Is Color Space properly set?	Change the Color Space setting (page 43).
	Is the HDMI Mode set appropriately?	Set the HDMI Mode to something other than Pure Audio (page 43).
	Is the DIRECT function set to ON?	Video output does not occur if the DIRECT function is set to On. Turn the DIRECT function off to display video (page 29).

Problem	Check	Remedy
No picture is displayed or the picture is not displayed properly.	If high definition videos of 4K etc. are not visible.	Change the settings by the following procedure. 1. Press the HDMI button on the remote control for 5 seconds or more. 2. If "4K 4:4:4" is displayed on the product screen, use ◀/▶ button to change it to "4K 4:2:0". If the video improves after changing the setting, continue using this setting. To revert the setting to the original value, do the operation described above again and change the setting to "4K 4:4:4".
Playback stops.		<ul style="list-style-type: none"> • Playback may stop if the unit is subject to shocks or set in an unstable place. • Playback may stop when a USB device is connected or disconnected during playback. Do not connect or disconnect USB devices during playback.
Picture freezes and the front panel and remote control buttons stop working.		<ul style="list-style-type: none"> • Press ■ STOP to stop playback, then restart playback. • If the playback cannot be stopped, press ⏻ STANDBY/ON on the player's front panel to turn off the power, then turn the power back on. • If the power cannot be turned off (to standby), reset the unit. Press and hold ⏻ STANDBY/ON on the main unit's front panel for over 5 seconds. The unit restarts and can now be operated. • It may not be possible to play scratched discs.
<ul style="list-style-type: none"> • Picture is stretched. • Picture is cropped. • Aspect ratio cannot be switched. 	<p>Is the TV's aspect ratio properly set?</p> <p>Is TV Screen properly set?</p>	<p>Read the operating instructions for the TV and set the TV's aspect ratio properly.</p> <p>Set TV Screen properly (page 41).</p> <p>When video signals with a resolution of 4K60p, 4K50p, 4K24p, 1080/50i, 1080/50p, 720/50p, 1080/24p, 1080/60i, 1080/60p or 720/60p are being output from the HDMI OUT terminal, they may be output with an aspect ratio of 16:9 even if TV Screen is set to 4:3 Pan&Scan (page 41).</p>
Picture is interrupted.		The picture may be interrupted when the resolution of the recorded video signal switches. Set Resolution to something other than Auto (page 41).
There is square noise (pixelation) on the screen.		Due to the characteristics of digital image compression technology, block-shaped images may stand out, for example in scenes where there is fast movement.
The subtitles cannot be switched.		The subtitles cannot be switched for discs recorded on a DVD or BD recorder.

Problem	Check	Remedy
<ul style="list-style-type: none"> No sound is output. Sound is not output properly. 	Is the volume set to the minimum?	If the volume of the TV or AV amplifier is set to the minimum, raise it.
	Is the disc played back in slow motion?	No sound is output during slow motion play and forward and reverse scanning.
	Is the disc played back in fast forward or fast reverse?	
	Are the audio cables properly connected?	<ul style="list-style-type: none"> Connect the cable properly according to the connected devices (page 16). Insert the cable firmly and all the way in. If the connection plug or terminal is dirty, wipe it clean.
	Is the audio cable damaged?	If the cable is damaged, replace it with a new one.
	Is Audio Output properly set?	Set Audio Output properly, according to the connected device (page 42).
	Are the connected components (AV receiver or amplifier, etc.) properly set?	Read the operating instructions for the connected components and check the volume, input, speaker settings, etc.
	Is HDMI Audio Out properly set?	Set HDMI Audio Out to Re-encode or PCM . (page 43).
	Is the output video resolution properly set?	Switch the resolution at which the video and audio are output by pressing RESOLUTION ▲/▼ .
	Is a DVI device connected?	<p>The sound will not be output from the HDMI OUT terminal if a DVI device is connected. Connect the device to a DIGITAL OUT terminal or the AUDIO OUT terminals (page 20).</p> <ul style="list-style-type: none"> For some BDs, audio signals are only output from DIGITAL OUT terminal or the HDMI OUT terminal. The sound may not be output for discs containing sound other than audio signals or non-standard sound. When copy-protected discs are played, the picture or sound may not be properly output. This is not a malfunction.
Is the HDMI Mode set appropriately?	Set the HDMI Mode properly, according to the connected device (page 43).	
Is the DIRECT function set to ON?	Audio output does not occur from the HDMI or DIGITAL AUDIO OUT terminals if the DIRECT function is set to On. Turn the DIRECT function off to output audio from the HDMI or DIGITAL AUDIO OUT terminals (page 29).	
Left/right audio channels are inverted or only one side is produced.	Are the audio cables properly connected?	Check whether the audio cables for the left and right channels are inverted or whether the cable for one side is disconnected (page 20).
Multi-channel sound is not output.	Is the audio output of the connected AV receiver or amplifier, etc., properly set?	Read the operating instructions for the connected AV receiver or amplifier and check the audio output settings of the AV receiver or amplifier.
	Is multi-channel sound selected?	Use the menu screen or AUDIO to switch the disc's sound to multi-channel.
Noise can be heard when outputting DTS Digital Audio signals from the DIGITAL OUT terminal.	Is the connected AV receiver or amplifier compatible with DTS Digital Surround?	If an AV receiver or amplifier that is not compatible with DTS Digital Surround is connected to the DIGITAL OUT terminal, set Digital Output to PCM (page 42).
192 kHz or 96 kHz digital audio signals cannot be output from the DIGITAL OUT terminal.		<ul style="list-style-type: none"> Copyright-protected audio is converted to 48 kHz or less before output. Set Max Sampling Frequency to 96KHz or 192KHz (page 42).
Secondary audio or interactive audio is not output.	Is HDMI Audio Out properly set?	When listening to the sound from an HDMI OUT terminal, set HDMI Audio Out to PCM (page 43).
	Are Digital Output properly set?	When listening to the sound from an DIGITAL OUT terminal, set Digital Output to Re-encode or PCM (page 42).

Problem	Check	Remedy
Sound is fast or slow.	When an HDMI cable is connected, are audio signals being output from devices connected with cables other than HDMI cables?	When a Pioneer AV receiver or amplifier compatible with the PQLS function is connected directly to the player's HDMI OUT terminal using an HDMI cable, the PQLS function is activated when playing an audio CD (CD-DA). Because of this, the sound output from components other than the ones connected by an HDMI cable may be fast or slow. If this happens, set Control to Off (page 43).
After a disc is inserted, Loading stays displayed and playback does not start.	Are there too many files recorded on the disc?	When a disc on which files are recorded is inserted, depending on the number of files recorded on the disc, loading may take several dozen minutes.
■ is displayed in file names, etc.		The characters that cannot be displayed on this player are displayed in ■.
A message indicating low memory appears while playing a BD-ROM disc.		<ul style="list-style-type: none"> • Connect a USB device (page 21). • Erase the data stored on the connected USB device from BUDA Setup (page 45).

Control function

Problem	Check	Remedy
Control function does not work.	Is the HDMI cable properly connected?	To use the Control function, connect the TV and AV system (AV receiver or amplifier, etc.) to the HDMI OUT terminal (page 16).
	Is the HDMI cable you are using a High Speed HDMI [®] /TM Cable?	Use a High Speed HDMI [®] /TM Cable. The Control function may not work properly if an HDMI cable other than a High Speed HDMI [®] /TM Cable is used.
	Is this player connected to the TV using an HDMI cable to watch the picture?	If video signals are being output from a terminal other than the HDMI OUT terminal, the Control function does not work. Connect to the TV using an HDMI cable (page 16).
	Is the HDMI Mode set appropriately?	<ul style="list-style-type: none"> • When connecting a device supporting the control function to the HDMI OUT (MAIN) terminal, set the HDMI Mode to Dual or Single. • When connecting a device supporting the control function to the HDMI OUT (SUB) terminal, set the HDMI Mode to Separate or Pure Audio (page 43).
	Is Control set to On on the player?	Set Control to On on the player (page 43).
	Does the connected device support the Control function?	<ul style="list-style-type: none"> • The Control function will not work with devices of other brands that do not support the Control function, even when connected using an HDMI cable. • The Control function will not work if devices that do not support the Control function are connected between the Control-compatible device and the player. See page 17. • Even when connected to a Pioneer product compatible with the Control function, some of the functions may not work. <p>Also refer to the operating instructions for the connected device.</p>
	Is Control set to On on the connected device?	Set Control to On on the connected device. The Control function operates when Control is set to On for all devices connected to the HDMI OUT terminal. Once connections and settings of all the devices are finished, be sure to check that the player's picture is output to the TV. (Also, check after changing the connected devices and connecting and/or disconnecting HDMI cables.) If the player's picture is not being output to the TV, the Control function may not work properly. For details, refer to the operating instructions of the connected device.
	Are multiple players connected?	The Control function may not work if 4 or more players, including this player, are connected by an HDMI cable. Depending on the connected device, the function may not work.

Problem	Check	Remedy
Cannot connect to network.		<ul style="list-style-type: none"> • Insert the LAN cable securely as far as it goes (page 22). • Do not connect using a modular cable. Use a LAN cable for the LAN (10/100) terminal. • Check that the power of the Ethernet hub (router with hub function) or the modem is turned on. • Check that the Ethernet hub (router with hub function) or the modem is properly connected. • Check the network settings.
BD-LIVE function (connection to the Internet) cannot be used.		<ul style="list-style-type: none"> • Check the network connections and settings. • Connect a USB memory device. • Delete data from the USB memory device. • Check that the BD-ROM supports the BD-LIVE function. • Test the connections (page 46). If "Network is OK" is displayed, check the proxy server settings at [Initial Setup] -> [Network] -> [Proxy Server] -> [Next Screen] (page 43). There may also be a problem with the Internet connection. Contact your provider.
Software updating is slow.		Depending on the Internet connection and other conditions, some time may be required to update the software.
A message other than "Networks is OK." is displayed when Connection Test is performed.	Is "Network is FAILED." displayed?	<ul style="list-style-type: none"> • Check that this player and the Ethernet hub (or router with a hub functionality) are properly connected. • If the IP address is obtained using the DHCP server function, check the setting is correct at the Information (page 43). For details on the DHCP server function, see the operating instructions for the Ethernet hub (or router with a hub functionality). • Set the IP address manually. • Check the operation and settings of the DHCP server function of the Ethernet hub (or router with hub functionality). For details on the DHCP server function, see the operating instructions for the Ethernet hub (or router with a hub functionality). • If this player has been set manually, reset the IP address of this player or other components.
	Is the Ethernet hub (or router with a hub functionality) operating properly?	<ul style="list-style-type: none"> • Check the settings and operation the Ethernet hub (or router with a hub functionality). For details, see the operating instructions for the Ethernet hub. • Reboot the Ethernet hub (or router with a hub functionality).

Problem	Check	Remedy
The audio files stored on components on the network, such as a computer, cannot be played back.		There are cases where a component with Internet security software installed cannot be accessed.
	The audio component on the network which has been switched off is switched on.	Switch on the audio component on the network before switching on this unit.
		If the client is automatically authorized, you need to enter the corresponding information again. Check whether the connection status is set to "Do not authorize".
		Check the audio files stored on the component connected to the network.
		Install Windows Media Player 11 or Windows Media Player 12 on your computer.
		Play back audio files recorded in MP3, WAV (LPCM only), MPEG-4 AAC, or WMA. Note that some audio files recorded in these formats may not be played back on this unit.
	Audio files recorded in MPEG-4 or AAC are being played back on Windows Media Player 11 or Windows Media Player 12.	Audio files recorded in MPEG-4 AAC cannot be played back on Windows Media Player 11 or Windows Media Player 12. Try using another server. Refer to the operation manual supplied with your server.
	Check whether the component is affected by special circumstances or is in the sleep mode. Try rebooting the component if necessary.	
	Try changing the settings for the component connected to the network.	
The folder stored on the component connected to the network has been deleted or damaged.		Check the folder stored on the component connected to the network.
The audio files stored on components on the network, such as a computer, cannot be played back.		Check the computer's network settings, security settings, etc.
Playback does not start.	The component is currently disconnected from this unit or the power supply.	Check whether the component is properly connected to this unit or the power supply.
The computer is not properly operated.	The corresponding IP address is not properly set.	Switch on the built-in DHCP server function of your router, or set up the network manually according to your network environment.
		The automatic configuration process takes time. Please wait.
Cannot access Windows Media Player 11 or Windows Media Player 12.	You are currently logged onto the domain through your computer with Windows 7 installed.	Instead of logging onto the domain, log onto the local machine.
Video and audio playback are undesirably stopped or disturbed.		Check whether the audio file was recorded in a format supported by this unit.
		Even audio files listed as playable on this unit may sometimes not be played back or displayed.
		Check whether the folder has been damaged or corrupted.
	The LAN cable is currently disconnected.	Connect the LAN cable properly.
	There is heavy traffic on the network with the Internet being accessed on the same network.	Use 100BASE-TX to access the components on the network.

Problem	Check	Remedy
Power does not turn on.	Is the power cord properly connected?	<ul style="list-style-type: none"> • Plug the power cord securely into the power outlet (page 22). • Unplug the power cord, wait several seconds, then plug the power cord back in.
The player's power turns off automatically.	Is Auto Power Off set to 15 min or 30 min ?	If Auto Power Off is set to 15 min or 30 min , the player's power automatically turns off if no operation is performed for the set amount of time (page 45).
The player's power turns on automatically.	Is Control set to On ?	The player's power may turn on together with the power of the TV connected to the HDMI OUT terminal. If you do not want the player's power to turn on when the TV's power is turned on, set Control to Off (page 43).
This unit cannot be operated.		<ul style="list-style-type: none"> • Use within the specified usage temperature range (page 63). • If the power cannot be turned off (to standby), reset the unit. Press and hold ⏻ STANDBY/ON on the main unit's front panel for over 5 seconds. The unit restarts and can now be operated.
The player cannot be operated with the remote control.	Are you operating the remote control from a point too far away from the player?	Operate from within 7 m of the remote control sensor.
	Are the batteries dead?	Replace the batteries (page 5).
Unit heats up during use.		Depending on the usage environment, the temperature of the unit's cabinet may increase somewhat during use, but this is not a malfunction and there is no need to worry.
Input of the connected TV and AV system switches automatically.	Is Control set to On ?	The input of the TV and AV system (AV receiver or amplifier, etc.) connected to the HDMI OUT terminal may automatically switch to the player when playback starts on the player or the menu screen (Source function, etc.) is displayed. If you do not want the inputs of the connected TV and AV system (AV receiver or amplifier, etc.) to switch automatically, set Control to Off (page 43).
Settings I have made have been cleared.	<ul style="list-style-type: none"> • Have you disconnected the power cord while the player's power was on? • Has there been a power failure? 	Always press ⏻ STANDBY/ON on the player's front panel or ⏻ STANDBY/ON on the remote control and check that POWER OFF has turned off from the player's front panel display before disconnecting the power cord. Be particularly careful when the power cord is connected to the AC outlet on another device because the player turns off in conjunction with the device.
USB (external storage) device does not work with this player properly.	Is the USB device properly connected?	<ul style="list-style-type: none"> • Turn the player's power off, then turn the power back on. • Turn the player's power off, then reconnect the external storage device (page 21).
	Is the USB device connected via an extension cable?	Do not use an extension cable. The player may not work properly with it.
	Is the external storage device connected to the USB port via a memory card reader or USB hub?	External storage device may not work if connected to the USB port via a memory card reader or USB hub.
	Does the external storage device contain multiple partitions?	External storage devices may not be recognized if they contain multiple partitions.
	Is the external storage device write-protected?	Turn the player's power off, then disable the write-protection.
	Is the USB device's file system FAT32, FAT16 or NTFS?	USB devices formatted in the FAT32, FAT16 or NTFS file system can be used.
Some external storage devices may not operate.		

Glossary

❖ Angle (Multi angle)

Up to 9 camera angles can be recorded simultaneously on BD-ROM or DVD-Video discs, letting you view the same scene from different angles.

❖ AVCHD (Advanced Video Codec High Definition)

See page 9.

❖ BDAV

Of the BD format, the Audio Visual Format Specifications for HD digital broadcast recording is referred to as BDAV on this player and in these operating instructions.

❖ BD-J

See page 9.

❖ BD-LIVE

See page 9.

❖ BDMV

Of the BD format, the Audio Visual Format Specifications designed for pre-packaged high definition (HD) movie contents is referred to as BDMV on this player and in these operating instructions.

❖ BONUSVIEW

See page 8.

❖ Deep Color

See page 16.

❖ Default Gateway

A default gateway is a communication device such as a router which passes data between networks. It is used to direct data to networks on which the destination gateway is not explicitly specified.

❖ DHCP (Dynamic Host Configuration Protocol)

This protocol provides configuration parameters (IP address, etc.) for computers and other devices connected to the network.

❖ DivX

See page 10.

❖ DNS (Domain Name System)

This is a system for associating Internet host names with IP addresses.

❖ Dolby Digital

Dolby Digital is an audio format to record the sound in up to 5.1 channels with a fraction of the amount of data as compared to linear PCM audio signals.

❖ Dolby Digital Plus

Dolby Digital Plus is an audio format for high-definition media. Built on Dolby Digital, it combines the efficiency and flexibility to provide high quality multi-channel audio. With BD-ROMs, up to 7.1 channels of digital sound can be recorded.

❖ Dolby TrueHD

Dolby TrueHD is an audio format using lossless coding. With BD-ROMs, up to 8 channels can be recorded at 96 kHz/24 bits, or up to 6 channels at 192 kHz/24 bits.

❖ DRM

A technology for protecting copyrighted digital data. Digitized videos, images and audio retain the same quality even when they are copied or transferred repeatedly. DRM is a technology for restricting the distribution or playback of such digital data without the authorization of the copyright holder.

❖ DSD (Direct Stream Digital)

The Digital Audio encoding system found on SACDs, that expresses the audio signals by the pulse density of one bit data.

❖ DTS Digital Surround

DTS Digital Surround is an audio format to record 48 kHz/24 bits audio signals in 5.1 channels.

❖ DTS-HD High Resolution Audio

DTS-HD High Resolution Audio is an audio format using lossy coding. It can record 7.1 channels at 96 kHz/24 bits.

❖ DTS-HD Master Audio

DTS-HD Master Audio is an audio format using lossless coding. With BD-ROMs, 7.1 channels can be recorded at 96 kHz/24 bits, or 5.1 channels at 192 kHz/24 bits.

❖ Ethernet

A standard for local area networks (LANs) used to connect multiple computers, etc. in the same location. This player supports 100BASE-TX.

❖ Frames and fields

A frame is the unit for one of the still pictures which compose motion pictures. One frame consists of a picture of odd lines and a picture of even lines called fields in video signal with interlaced scan method (576i, 1080i, etc.).

❖ HDMI (High-Definition Multimedia Interface)

See page 16.

❖ Interactive audio

The audio signals recorded in the titles of BD-ROMs. They include for example the clicking sound made when the menu screen is operated.

❖ Interlaced scan

With this method, one picture is displayed by scanning it twice. The odd lines are displayed in the first pass, the even lines are displayed in the second, to form a single picture (frame). Interlaced scan is indicated in this player and operating instructions by an "i" after the resolution value (for example, 576i).

❖ IP address

An address that identifies a computer or other device connected to the Internet or local area network. It is represented a number in four sections.

❖ Linear PCM

This is referred as the audio signals that are not compressed.

❖ MAC (Media Access Control) address

A hardware identification number assigned specifically to the network device (LAN card, etc.).

❖ **MPEG (Moving Picture Experts Group)**

The name of a family of standards used to encode video and audio signals in a digital compressed format. The video encoding standards include MPEG-1 Video, MPEG-2 Video, MPEG-4 Visual, MPEG-4 AVC, etc. The audio encoding standards include MPEG-1 Audio, MPEG-2 Audio, MPEG-2 AAC, etc.

❖ **Multi-session**

Multi-session/multi-border recording is a method of recording two or more sessions/borders on a single disc. When recording data on a disc, the unit comprising the data from the beginning to the end of that instance of recording is called a session or border.

❖ **Parental Lock**

See page 47.

❖ **Picture-in-Picture (P-in-P)**

This is a function for superimposing a sub video on the main video. Some BD-ROMs include secondary video, which can be superimposed on the primary video.

❖ **Port number**

This is a sub-address provided below the IP address for simultaneously connecting to multiple parties during Internet communications.

❖ **Progressive scan**

With this method, one picture is consisted of a single picture, without dividing it in two pictures. Progressive scan provides clear pictures with no flicker, in particular for still pictures that contain much text, graphics, or horizontal lines. Progressive scan is indicated in this player and operating instructions by a "p" after the resolution value (for example, 576p).

❖ **Proxy server**

This is a relay server for ensuring fast access and safe communications when connecting to the Internet from an internal network.

❖ **Region number**

See page 9.

❖ **Secondary audio**

Some BD-ROMs include sub audio streams mixed with the main audio stream. These sub audio streams are called "secondary audio". On some discs this secondary audio is recorded as the audio for the secondary video.

❖ **Secondary video**

Some BD-ROMs include sub videos superimposed on the main videos using the Picture-in-Picture function. These sub videos are called "secondary video".

❖ **Subnet mask**

This is used to identify which part of the IP address corresponds to the subnet (a separately managed network). The subnet mask is expressed as '255.255.255.0'.

❖ **USB (Universal Serial Bus)**

USB is the industry standard for connecting peripherals to PCs.

❖ **VC-1**

A video codec developed by Microsoft and standardized by the Society of Motion Picture and Television Engineers (SMPTE). Some BDs include videos encoded in this codec.

❖ **x.v.Color**

See page 16.

Software license notice

About Apple Lossless Audio Codec

Copyright © 2011 Apple Inc. All rights reserved.

Licensed under the Apache License, Version 2.0. You may obtain a copy of the License at

<http://www.apache.org/licenses/LICENSE-2.0>

About FLAC

❖ **FLAC Decoder**

Copyright © 2000, 2001, 2002, 2003, 2004, 2005, 2006, 2007, 2008, 2009

Josh Coalson

Redistribution and use in source and binary forms, with or without modification, are permitted provided that the following conditions are met:

- Redistributions of source code must retain the above copyright notice, this list of conditions and the following disclaimer.
- Redistributions in binary form must reproduce the above copyright notice, this list of conditions and the following disclaimer in the documentation and/or other materials provided with the distribution.
- Neither the name of the Xiph.org Foundation nor the names of its contributors may be used to endorse or promote products derived from this software without specific prior written permission.

THIS SOFTWARE IS PROVIDED BY THE COPYRIGHT HOLDERS AND CONTRIBUTORS "AS IS" AND ANY EXPRESS OR IMPLIED WARRANTIES, INCLUDING, BUT NOT LIMITED TO, THE IMPLIED WARRANTIES OF MERCHANTABILITY AND FITNESS FOR A PARTICULAR PURPOSE ARE DISCLAIMED. IN NO EVENT SHALL THE FOUNDATION OR CONTRIBUTORS BE LIABLE FOR ANY DIRECT, INDIRECT, INCIDENTAL, SPECIAL, EXEMPLARY, OR CONSEQUENTIAL DAMAGES (INCLUDING, BUT NOT LIMITED TO, PROCUREMENT OF SUBSTITUTE GOODS OR SERVICES; LOSS OF USE, DATA, OR PROFITS; OR BUSINESS INTERRUPTION) HOWEVER CAUSED AND ON ANY THEORY OF LIABILITY, WHETHER IN CONTRACT, STRICT LIABILITY, OR TORT (INCLUDING NEGLIGENCE OR OTHERWISE) ARISING IN ANY WAY OUT OF THE USE OF THIS SOFTWARE, EVEN IF ADVISED OF THE POSSIBILITY OF SUCH DAMAGE.

Specifications

Model	BDP-LX88 BDP-LX88-K BDP-LX88-S BDP-LX58 BDP-LX58-K BDP-LX58-S		
Type	Blu-ray 3D™ PLAYER		
Rated voltage	AC 220 V to 240 V		
Rated frequency	50 Hz/60 Hz		
Power consumption	BDP-LX88 : 40 W BDP-LX58 : 27 W		
Power consumption (standby)	BDP-LX88 : 0.3 W BDP-LX58 : 0.3 W		
Power consumption (Network Standby on)	BDP-LX88 : 5 W BDP-LX58 : 5 W		
Weight	BDP-LX88 : 13.4 kg BDP-LX58 : 9.9 kg		
External dimensions (including projecting parts)	BDP-LX88 : 435 mm (W) x 130 mm (H) x 339 mm (D) BDP-LX58 : 435 mm (W) x 118 mm (H) x 338 mm (D)		
Tolerable operating temperature	+5 °C to +35 °C		
Tolerable operating humidity	5 % to 85 % (no condensation)		
Output terminals	HDMI	2 set, 19-pin: 5 V, 250 mA	
	Audio outputs	2-channel (left/right)	1 set, RCA jacks 1 set, XLR jacks (BDP-LX88 only)
		Audio output level	RCA : 200 mVrms (1 kHz, -20 dB) XLR : 400 mVrms (1 kHz, -20 dB) (BDP-LX88 only)
		Frequency response	4 Hz to 88 kHz (192 kHz sampling)
	Digital audio outputs	Coaxial	1 set, RCA jacks
		Optical (BDP-LX88 only)	1 set, Optical digital jack
LAN	1 set, Ethernet jack (10BASE-T/100BASE-TX)		
USB	2 set, Type A		



Note

- The specifications and design of this product are subject to change without notice.
- This item incorporates copy protection technology that is protected by U.S. patents and other intellectual property rights of Rovi Corporation. Reverse engineering and disassembly are prohibited.
- Corporation and product names mentioned herein are trademarks or registered trademarks of the respective corporations.

Please refer to our website for information regarding software updates and service to this product.

Contact information:

U.K.

<http://www.pioneer.co.uk/uk/content/support/support/upgrade.html>

<http://www.pioneer.eu/support>

Hong Kong

Pioneer (HK) Limited - Customer Service Center

Unit 2, 17/F, Vanta Industrial Centre, 21-33 Tai Lin Pai Road, Kwai Chung, Hong Kong

(852) 3583 3288

<https://www.pioneerhongkong.com.hk>

Singapore

Pioneer Electronics AsiaCentre Pte Ltd

253 Alexandra Road (Komoco Building)#04-01, Lobby 2 Singapore 159936

(65) 6472-7555

<http://www.pioneer.com.sg>

Malaysia

Pioneer Technology (Malaysia) Sdn Bhd

16th Floor, Menara Uni. Asia, 1008, Jalan Sultan Ismail 50250, Kuala Lumpur, Malaysia

(03) 2697-2920

<http://www.pioneer.com.sg>

Thailand

Pioneer Electronics (Thailand) CO.,LTD

91/1 Floor 1&7 Chaiyo Building, Rama 9 Road, Huaykwang District Bangkok 10320, Thailand

(662) 6439-444

<http://www.pioneer.com.sg>

Indonesia

PT. Adab Alam Electronic

Jl. K.H. Zainul Arifin No. 13A Jakarta-Pusat Indonesia

(21) 6331-924

<http://www.pioneer.com.sg>

© 2014 PIONEER HOME ELECTRONICS CORPORATION.
All rights reserved.

PIONEER HOME ELECTRONICS CORPORATION

1-1, Shin-ogura, Saiwai-ku, Kawasaki-shi, Kanagawa 212-0031, Japan

PIONEER ELECTRONICS (USA) INC.

P.O. BOX 1540, Long Beach, California 90801-1540, U.S.A. TEL: (800) 421-1404

PIONEER ELECTRONICS OF CANADA, INC.

340 Ferrier Street, Unit 2, Markham, Ontario L3R 2Z5, Canada TEL: 1-877-283-5901, 905-479-4411

PIONEER EUROPE NV

Haven 1087, Keetberglaan 1, B-9120 Melsele, Belgium TEL: 03/570.05.11

PIONEER ELECTRONICS ASIACENTRE PTE. LTD.

253 Alexandra Road, #04-01, Singapore 159936 TEL: 65-6472-7555

PIONEER ELECTRONICS AUSTRALIA PTY. LTD.

5 Arco Lane, Heatherton, Victoria, 3202, Australia, TEL: (03) 9586-6300

PIONEER ELECTRONICS DE MEXICO S.A. DE C.V.

Bldv.Manuel Avila Camacho 138 10 piso Col.Lomas de Chapultepec, Mexico, D.F. 11000 TEL: 55-9178-4270

K002_B3_En

