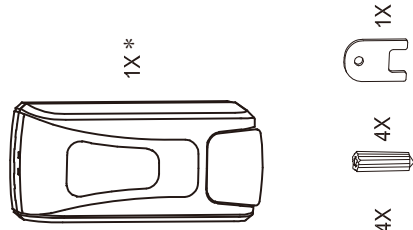
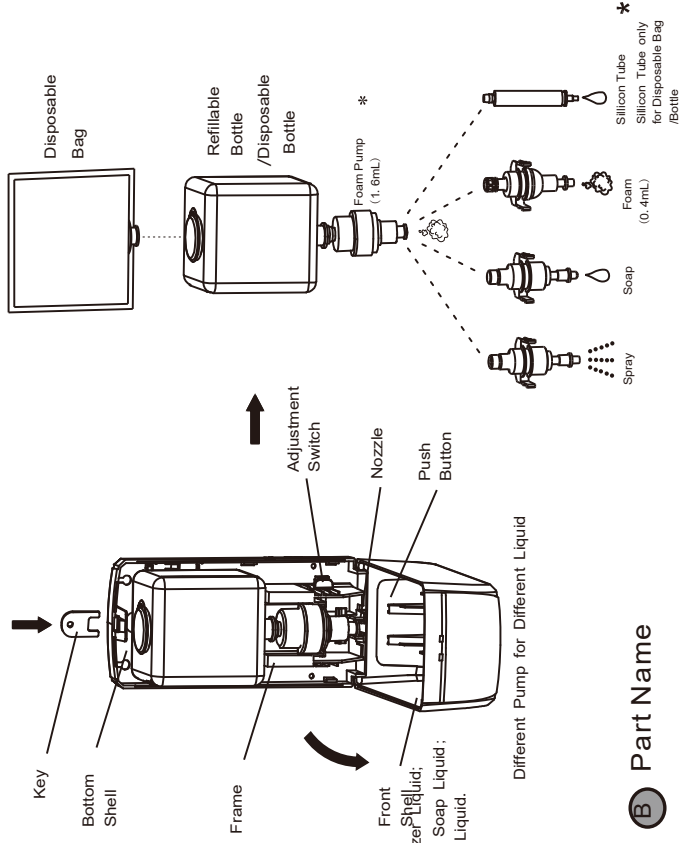


MANUAL FOAM SOAP DISPENSER INSTALLATION

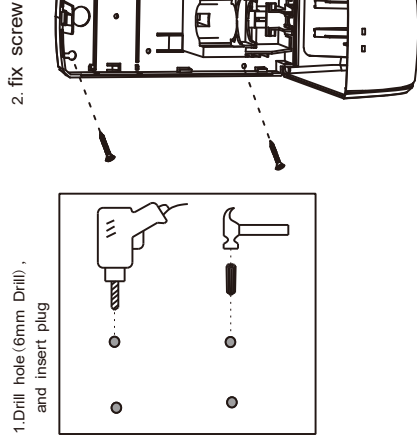


* we have different shape but same installation.

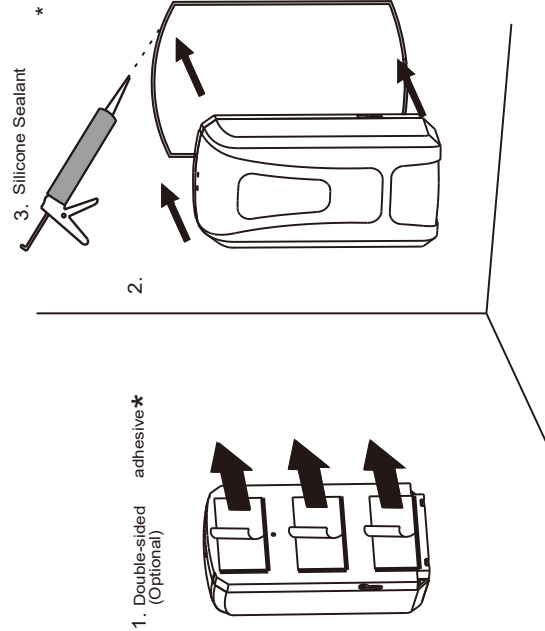
A Packing List



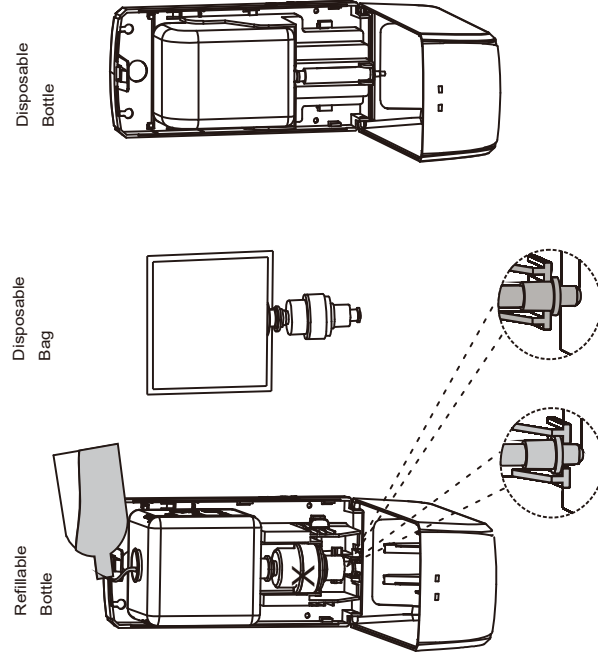
B Part Name



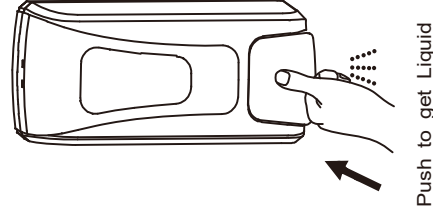
C Way for Screw



D Way for Sticker/without Screw



E Fill Liquid



F Enjoy hand sanitizing