

[www.blackanddecker.eu](http://www.blackanddecker.eu)

**GSL200**

**GSL300**

**GSL360**

**GSL700**

EN

DE

FR

IT

NL

ES

PT

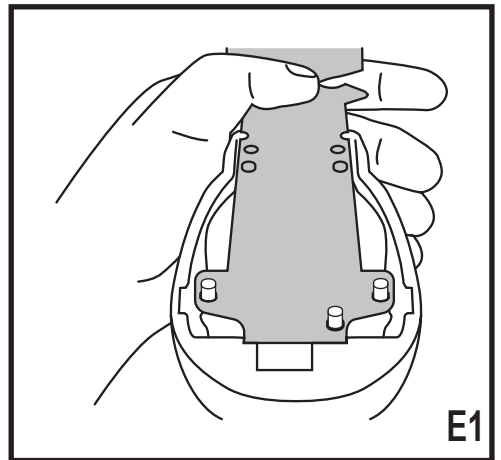
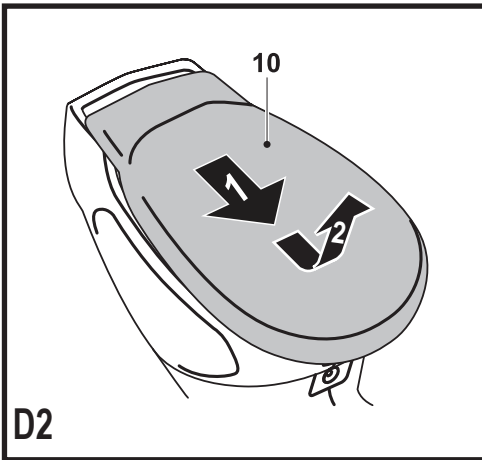
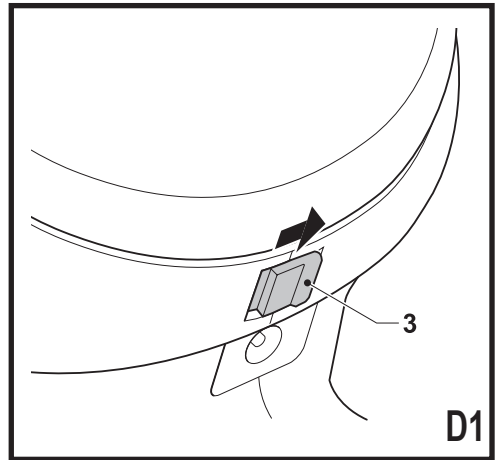
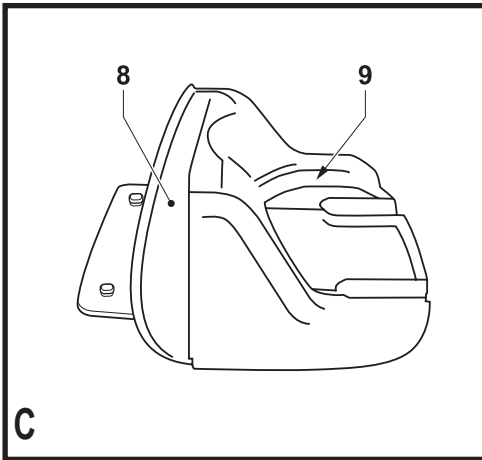
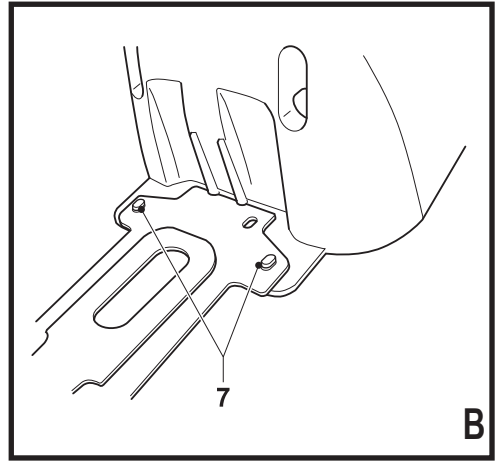
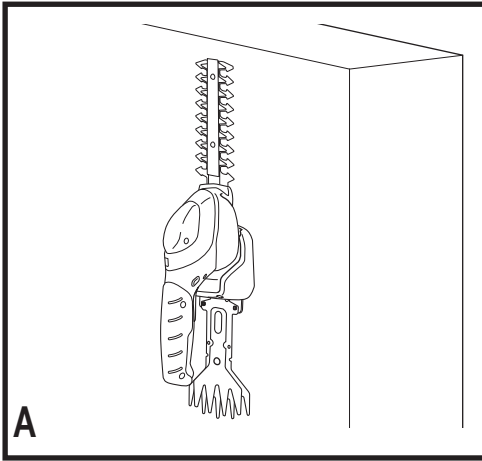
SV

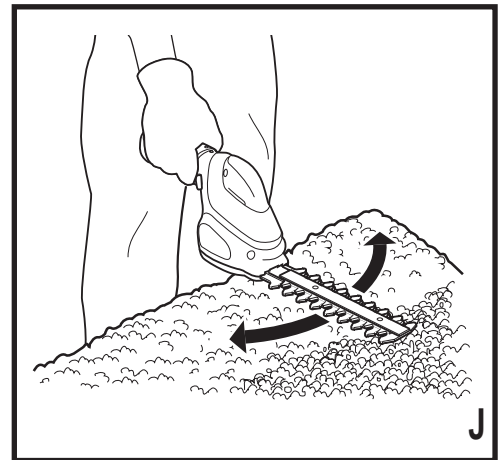
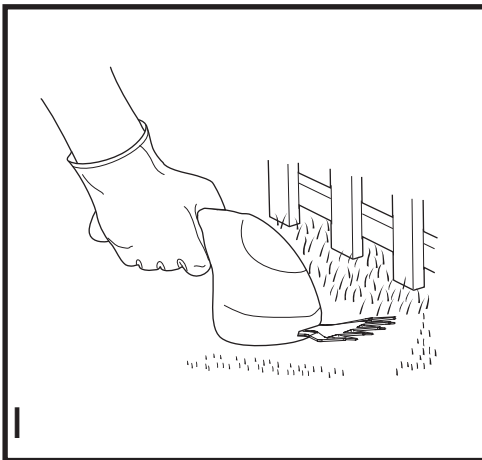
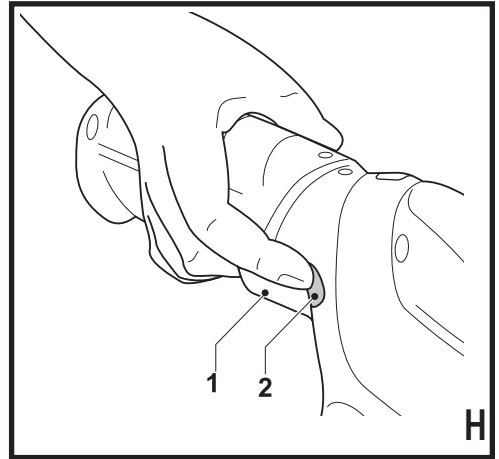
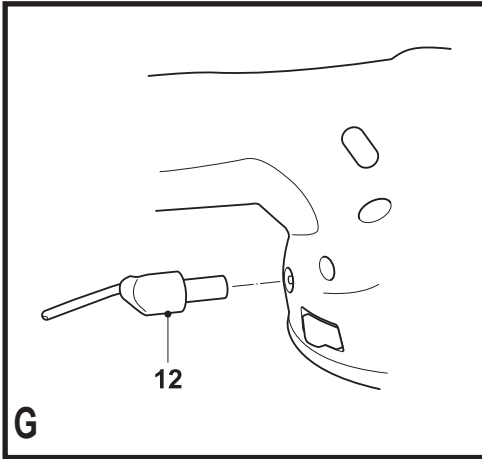
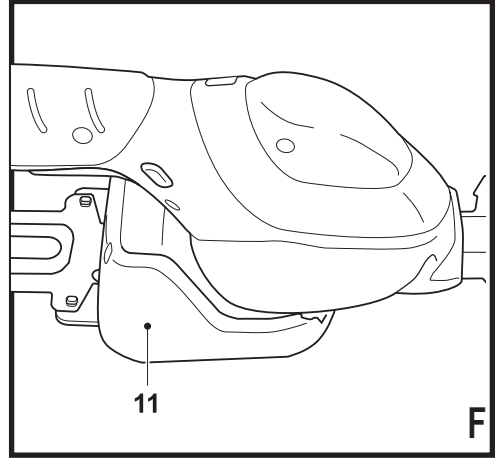
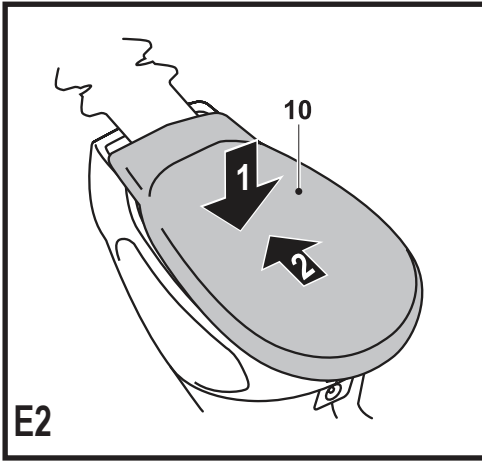
NO

DK

FI

EL





## Intended use

Your BLACK+DECKER™ GSL200, GSL300, GSL360, GSL700 shear/trimmer has been designed for trimming grass, hedges, shrubs and brambles. This tool is intended for consumer use only.

Your BLACK+DECKER charger has been designed for charging BLACK+DECKER batteries of the type supplied with this tool.

## Safety instructions

### General power tool safety warnings



**Warning! Read all safety warnings and all instructions.**

Failure to follow the warnings and instructions listed below may result in electric shock, fire and/or serious injury.

### Save all warnings and instructions for future reference.

The term "power tool" in all of the warnings listed below refers to your mains operated (corded) power tool or battery operated (cordless) power tool.

#### 1. Work area safety

- a. **Keep work area clean and well lit.**  
Cluttered or dark areas invite accidents.
- b. **Do not operate power tools in explosive atmospheres, such as in the presence of flammable liquids, gases or dust.** Power tools create sparks which may ignite the dust or fumes.
- c. **Keep children and bystanders away while operating a power tool.**

Distractions can cause you to lose control.

#### 2. Electrical safety

- a. **Power tool plugs must match the outlet. Never modify the plug in any way. Do not use any adapter plugs with earthed (grounded) power tools.** Unmodified plugs and matching outlets will reduce risk of electric shock.
- b. **Avoid body contact with earthed or grounded surfaces such as pipes, radiators, ranges and refrigerators.** There is an increased risk of electric shock if your body is earthed or grounded.
- c. **Do not expose power tools to rain or wet conditions.** Water entering a power tool will increase the risk of electric shock.
- d. **Do not abuse the cord. Never use the cord for carrying, pulling or unplugging the power tool. Keep cord away from heat, oil, sharp edges or moving parts.** Damaged or entangled cords increase the risk of electric shock.
- e. **When operating a power tool outdoors, use an extension cord suitable for outdoor use.** Use of a cord suitable for outdoor use reduces the risk of electric shock.
- f. **If operating a power tool in a damp location is unavoidable, use a residual current device (RCD) protected supply.** Use of an RCD reduces the risk of electric shock.

### 3. Personal safety

- a. **Stay alert, watch what you are doing and use common sense when operating a power tool. Do not use a power tool while you are tired or under the influence of drugs, alcohol or medication.** A moment of inattention while operating power tools may result in serious personal injury.
- b. **Use personal protective equipment. Always wear eye protection.** Protective equipment such as dust mask, non-skid safety shoes, hard hat, or hearing protection used for appropriate conditions will reduce personal injuries.
- c. **Prevent unintentional starting. Ensure the switch is in the off-position before connecting to power source and/or battery pack, picking up or carrying the tool.** Carrying power tools with your finger on the switch or energising power tools that have the switch on invites accidents.
- d. **Remove any adjusting key or wrench before turning the power tool on.** A wrench or a key left attached to a rotating part of the power tool may result in personal injury.
- e. **Do not overreach. Keep proper footing and balance at all times.** This enables better control of the power tool in unexpected situations.
- f. **Dress properly. Do not wear loose clothing or jewellery. Keep your hair, clothing and gloves away from moving parts.** Loose clothes,

jewellery or long hair can be caught in moving parts.

- g. **If devices are provided for the connection of dust extraction and collection facilities, ensure these are connected and properly used.** Use of dust collection can reduce dust-related hazards.
  - h. **Do not let familiarity gained from frequent use of tools allow you to become complacent and ignore tool safety principles.** A careless action can cause severe injury within a fraction of a second.
- ### 4. Power tool use and care
- a. **Do not force the power tool. Use the correct power tool for your application.** The correct power tool will do the job better and safer at the rate for which it was designed.
  - b. **Do not use the power tool if the switch does not turn it on and off.** Any power tool that cannot be controlled with the switch is dangerous and must be repaired.
  - c. **Disconnect the plug from the power source and/or the battery pack from the power tool before making any adjustments, changing accessories, or storing power tools.** Such preventive safety measures reduce the risk of starting the power tool accidentally.
  - d. **Store idle power tools out of the reach of children and do not allow persons unfamiliar with the power tool or these instructions to operate**

**the power tool.** Power tools are dangerous in the hands of untrained users.

- e. **Maintain power tools. Check for misalignment or binding of moving parts, breakage of parts and any other condition that may affect the power tools operation. If damaged, have the power tool repaired before use.** Many accidents are caused by poorly maintained power tools.
- f. **Keep cutting tools sharp and clean.** Properly maintained cutting tools with sharp cutting edges are less likely to bind and are easier to control.
- g. **Use the power tool, accessories and tool bits etc. in accordance with these instructions, taking into account the working conditions and the work to be performed.** Use of the power tool for operations different from those intended could result in a hazardous situation.
- h. **Keep handles and grasping surfaces dry, clean and free from oil and grease.** Slippery handles and grasping surfaces do not allow for safe handling and control of the tool in unexpected situations.

## 5. Battery tool use and care

- a. **Recharge only with the charger specified by the manufacturer.** A charger that is suitable for one type of battery pack may create a risk of fire when used with another battery pack.
- b. **Use power tools only with specifically designated battery**

**packs.** Use of any other battery packs may create a risk of injury and fire.

- c. **When battery pack is not in use, keep it away from other metal objects, like paper clips, coins, keys, nails, screws, or other small metal objects, that can make a connection from one terminal to another.** Shorting the battery terminals together may cause burns or a fire.
- d. **Under abusive conditions, liquid may be ejected from the battery; avoid contact. If contact accidentally occurs, flush with water. If liquid contacts eyes, additionally seek medical help.** Liquid ejected from the battery may cause irritation or burns.
- e. **Do not use a battery pack or tool that is damaged or modified.** Damaged or modified batteries may exhibit unpredictable behaviour resulting in fire, explosion or risk of injury.
- f. **Do not expose a battery pack or tool to fire or excessive temperature.** Exposure to fire or temperature above 130 °C may cause explosion.
- g. **Follow all charging instructions and do not charge the battery pack or tool outside the temperature range specified in the instructions.** Charging improperly or at temperatures outside the specified range may damage the battery and increase the risk of fire.

## 6. Service

- a. **Have your power tool serviced by a qualified repair person using only identical replacement parts.** This will ensure that the safety of the power tool is maintained.
- b. **Never service damaged battery packs.** Service of battery packs should only be performed by the manufacturer or authorised service providers.

## Additional power tool safety warnings



**Warning!** Additional safety warnings for hedge trimmers

- ♦ **Keep all parts of the body away from the cutter blade. Do not remove cut material or hold material to be cut when blades are moving. Make sure the switch is off when clearing jammed material.** A moment of inattention while operating the hedge trimmer may result in serious personal injury.
- ♦ **Carry the hedge trimmer by the handle with the cutter blade stopped. When transporting or storing the hedge trimmer always fit the cutting device cover.** Proper handling of the hedge trimmer will reduce possible personal injury from the cutter blades.
- ♦ **Keep cable away from cutting area.** During operation the cable may be hidden in shrubs and can be accidentally cut by the blade.
- ♦ **Hold the power tool by insulated gripping surfaces only, because the cutter blade may contact hidden wiring.** Cutter blades contacting a "live" wire may make exposed metal parts of the power tool "live" and could give the operator an electric shock.
- ♦ The intended use is described in this instruction manual. The use of any accessory or attachment or performance of any operation with this tool other than those recommended in this instruction manual may present a risk of personal injury and/or damage to property.
- ♦ If you have not used a hedge trimmer before, preferably seek practical instruction by an experienced user in addition to studying this manual.
- ♦ Never touch the blades while the tool is running.
- ♦ Never attempt to force the blades to come to a standstill.
- ♦ Do not put the tool down until the blades have come to a complete standstill.
- ♦ Regularly check the blades for damage and wear. Do not use the tool when the blades are damaged.
- ♦ Take care to avoid hard objects (e.g. metal wire, railings) when trimming. Should you accidentally hit any such object, immediately switch the tool off and check for any damage.
- ♦ Should the tool start to vibrate abnormally, immediately switch it off and check for any damage.

- ◆ If the tool stalls, immediately switch it off.
- ◆ After use, place the blade sheath supplied over the blades. Store the tool, making sure that the blade is not exposed.
- ◆ Always ensure that all guards are fitted when using the tool. Never attempt to use an incomplete tool or a tool with unauthorised modifications.
- ◆ Never allow children to use the tool.
- ◆ Be aware of falling debris when cutting the higher slides of a hedge.

## Additional power tool safety warnings



**Warning!** Additional safety warnings for shears

- ◆ Never allow people unfamiliar with these instructions or children to use the machine. Local regulations can restrict the age of the operator.
- ◆ Keep in mind that the operator or user is responsible for accidents or hazards occurring to other people or their property.
- ◆ Never operate the machine while people, especially children, or pets are nearby.
- ◆ Use the machine only in daylight or good artificial light.
- ◆ Always ensure that the ventilation openings are kept clear of debris.
- ◆ Use only the manufacturer's recommended replacement parts and accessories.

- ◆ Inspect and maintain the machine regularly. Have the machine repaired only by an authorized repairer.

## Safety of others

- ◆ This appliance can be used by children aged from 8 years and above and persons with reduced physical, sensory or mental capabilities or lack of experience and knowledge if they have been given supervision or instruction concerning use of the appliance in a safe way and understand the hazards involved.
- ◆ Children shall not play with the appliance. Cleaning and user maintenance shall not be made by children without supervision.

## Vibration

The declared vibration emission values stated in the technical data and the declaration of conformity have been measured in accordance with a standard test method provided by EN 60745 and may be used for comparing one tool with another. The declared vibration emission value may also be used in a preliminary assessment of exposure.

**Warning!** The vibration emission value during actual use of the power tool can differ from the declared value depending on the ways in which the tool is used. The vibration level may increase above the level stated.



When assessing vibration exposure to determine safety measures required by 2002/44/EC to protect persons regularly using power tools in employment, an estimation of vibration exposure should consider, the actual conditions of use and the way the tool is used, including taking account of all parts of the operating cycle such as the times when the tool is switched off and when it is running idle in addition to the trigger time.

## Labels on tool

The following pictograms along with the date code are shown on the tool:



**Warning!** To reduce the risk of injury, the user must read the instruction manual.



Wear safety glasses or goggles when operating this tool.



Do not expose the tool to rain or high humidity.



Beware of sharp blades.

Blades continue to move after the motor is switched off.



Beware of flying objects. Keep bystanders away.



Class III appliance.



Directive 2000/14/EC guaranteed sound power.

## Batteries

- ◆ Never attempt to open for any reason.
- ◆ Do not expose the battery to water.
- ◆ Do not store in locations where the temperature may exceed 40 °C.
- ◆ Charge only at ambient temperatures between 10 °C and 40 °C.
- ◆ Charge only using the charger provided with the appliance/tool. Using the wrong charger could result in an electric shock or overheating of the battery.
- ◆ When disposing of batteries, follow the instructions given in the section "Protecting the environment".
- ◆ Do not damage/deform the battery either by puncture or impact, as this may create a risk of injury and fire.
- ◆ Do not charge damaged batteries.
- ◆ Under extreme conditions, battery leakage may occur. When you notice liquid on the batteries carefully wipe the liquid off using a cloth. Avoid skin contact.
- ◆ In case of skin or eye contact, follow the instructions below.

**Warning!** The battery fluid may cause personal injury or damage to property. In case of skin contact, immediately rinse with water. If redness, pain or irritation occurs seek medical attention. In case of eye contact, rinse immediately with clean water and seek medical attention.

## Chargers

Your charger has been designed for a specific voltage. Always check that the

## Additional safety instructions for batteries and chargers

mains voltage corresponds to the voltage on the rating plate.

**Warning!** Never attempt to replace the charger unit with a regular mains plug.

- ◆ Use your BLACK+DECKER charger only to charge the battery in the tool with which it was supplied. Other batteries could burst, causing personal injury and damage.
- ◆ Never attempt to charge non-rechargeable batteries.
- ◆ If the supply cord is damaged, it must be replaced by the manufacturer or an authorised BLACK+DECKER Service Centre in order to avoid a hazard.
- ◆ Do not expose the charger to water.
- ◆ Do not open the charger.
- ◆ Do not probe the charger.
- ◆ The appliance/tool/battery must be placed in a well ventilated area when charging.



The charger is intended for indoor use only.



Read the instruction manual before use.

## Electrical safety



Your charger is double insulated; therefore no earth wire is required. Always check that the mains voltage corresponds to the voltage on the rating plate.

- ◆ If the supply cord is damaged, it must be replaced by the manufacturer or an

authorised BLACK+DECKER Service Centre in order to avoid a hazard.

- ◆ **Warning!** Never attempt to replace the charger unit with a regular mains plug.

## Features

1. On/off switch
2. Lock-off button
3. Blade release button
4. Shear blade (GSL200/GSL360/GSL700)
5. Trim blade (GSL300/GSL360/GSL700)
6. Charging indicator

## Assembly

**Warning!** Avoid accidentally switching the tool on during assembly.

### Fitting the wall mount to the wall (fig. A & B)

The wall mount can be fitted to the wall to provide a convenient storage and charging point for the tool.

- ◆ Drive the screws in the wall through the holes in the crevices of wall mount.
- ◆ Place the tool on the wall mount.
- ◆ Plug in the charger making sure the charging indicator (6) lights up (fig. A).
- ◆ If required, use the two pegs (7) below the wall mount to store the spare blade (fig. B).

**Warning!** Avoid damaging the power cord when mounting the wall mount to the wall.

### Removing the charger plug from the wall mount (fig. C)

The tool can be charged without using the wall mount. The charger plug can be connected to the tool directly.

- ◆ Remove the screws from the back of the wall mount.
- ◆ Slide the back part (8) from the front part (9) to open the wall mount.
- ◆ Remove the charger plug from the wall mount.

### Fitting and removing the blade (fig. D & E)

The shear blade (4) has been designed for trimming grass and weeds. The trim blade (5) has been designed for trimming hedges and shrubs.

- ◆ Remove the blade cover.
- ◆ Push and hold the blade release button (3) in the direction of the arrow (fig. D1).
- ◆ Slide the blade cover (10) backward and lift off (fig. D2).
- ◆ Lower the blade onto the pins.
- ◆ While holding the blade onto the pins (fig. E1), replace the blade cover (10) and slide it forward (fig. E2).

**Note:** No alignment of blade with drive pin is required and operation of the blade cover release button is not required when re-fitting the blade cover.

## Use

**Warning!** Let the tool work at its own pace. Do not overload.

## Charging the battery

The battery needs to be charged before first use and whenever it fails to produce sufficient power on jobs that were easily done before. When charging the battery for the first time, or after prolonged storage, it will only accept an 80% charge. After several charge and discharge cycles, the battery will attain full capacity. The battery may become warm while charging; this is normal and does not indicate a problem.

**Warning!** Do not charge the battery at ambient temperatures below 10 °C or above 40 °C. Recommended charging temperature: approx. 24 °C.

The tool can be left connected to the charger indefinitely. To maximise the lifetime of the battery, it is recommended to keep the battery connected to the charger whenever the tool is not in use. When the battery is full, the power consumption of the charger is negligible.

## Charging with the wall mount (fig. F)

- ◆ Place the tool on the wall mount (11).
- ◆ Plug in the charger.

## Charging with the charger plug (fig. G)

The charger plug is designed with lock outs to prevent the use of an incorrect charger.

- ◆ Insert the charger plug (12) into the charger connector at the rear of the tool.
- ◆ Plug in the charger.

## GSL700 - Charging the battery

- ◆ Charge the battery.

When the battery is charging the charging indicator (6) flashes. The charging indicator will stop flashing when the charging is complete.

## GSL200/GSL300/GSL360 - Charging the battery

- ◆ Charge the battery.

When the battery is charging the charging indicator (6) flashes. The charging indicator will stop flashing when the charging is complete. The charging indicator flashes quickly to indicate a charging problem. When a charging problem occurs, connect the tool directly to the charger plug by removing the wall mount. If the charging problem still occurs, the charger must be disconnected from the mains supply and taken to an authorised service centre for repair.

## Switching on and off (fig. H)

### Switching on

- ◆ Push and hold the lock button (2) to the right or to the left and then squeeze the on/off switch (1).
- ◆ Release the lock-off button.

### Switching off

- ◆ Release the on/off switch (1).

**Warning!** Never attempt to lock the switch in the on position.

## Hints for optimum use (fig. I & J)

- ◆ Spray the blade with a light coating of light general use oil before first use and whenever the blades begin to look dry.

## Trimming grass

- ◆ In order to achieve optimum cutting results, only cut dry grass.
- ◆ Hold the tool as shown in fig. I. Keep your other hand well away from the blade. Maintain a stable working position so that you do not slip. Do not overreach.
- ◆ When cutting long grass, work in stages from the top. Take small cuts.
- ◆ Keep the tool away from hard objects and delicate plants.
- ◆ If the tool starts running slowly, reduce the load.
- ◆ To make a closer cut, slightly tilt the tool.

## Trimming hedges

- ◆ Slightly tilt the tool (up to 15° relative to the line of cut) so that the blade tips point slightly towards the hedge (fig. J). This will cause the blades to cut more effectively.
- ◆ Start by trimming the top of the hedge. Hold the tool at the desired angle and move it steadily along the line of cut. The double-sided blade allows you to cut in either direction.
- ◆ In order to obtain a very straight cut, stretch a piece of string along the length of the hedge at the desired height. Use the string as a guideline, cutting just above it.
- ◆ In order to obtain flat sides, cut upwards with the growth. Younger stems move outwards when the blade cuts downwards, causing shallow patches in the hedge.
- ◆ Take care to avoid any foreign objects. Especially avoid hard objects such as metal wire and railings, as these could damage the blades.
- ◆ Regularly oil the blades.

## Guidelines for trimming (UK & Ireland)

- ◆ Trim hedges and shrubs with seasonal leaves (new leaves every year) in June and October.
- ◆ Trim evergreens in April and August.
- ◆ Trim conifers and other fast growing shrubs every six weeks from May until October.

**Guidelines for trimming (Australia & New Zealand)**

- ◆ Trim hedges and shrubs with seasonal leaves (new leaves every year) in December and March.
- ◆ Trim evergreens in September and February.
- ◆ Trim conifers and other fast growing shrubs every six weeks from October until March.

**Maintenance**

Your BLACK+DECKER corded/cordless appliance/tool has been designed to operate over a long period of time with a minimum of maintenance. Continuous satisfactory operation depends upon proper tool care and regular cleaning.

**Warning!** Before performing any maintenance on corded/cordless power tools:

- ◆ Switch off and unplug the appliance/tool.
- ◆ Or switch off and remove the battery from the appliance/tool if the appliance/tool has a separate battery pack.
- ◆ Or run the battery down completely if it is integral and then switch off.
- ◆ Unplug the charger before cleaning it. Your charger does not require any maintenance apart from regular cleaning.
- ◆ Regularly clean the ventilation slots in your appliance/tool/charger using a soft brush or dry cloth.
- ◆ Regularly clean the motor housing using a damp cloth. Do not use any abrasive or solvent-based cleaner.
- ◆ Regularly open the chuck and tap it to remove any dust from the interior (when fitted).
- ◆ After use, carefully clean the blades. After cleaning, apply a film of light machine oil to prevent the blades from rusting.

**Storage**

When the tool will not be used for several months, ideally leave the battery connected to the charger. Otherwise proceed as follows:

- ◆ Fully charge the battery.
- ◆ Store the tool in a secure and dry location. The storage temperature must always remain in the range of +10 °C to +40 °C.
- ◆ Before using the tool after prolonged storage, fully charge the battery again.

**Protecting the environment**



Separate collection. Products and batteries marked with this symbol must not be disposed of with normal household waste.

Products and batteries contain materials that can be recovered or recycled reducing the demand for raw materials.

Please recycle electrical products and batteries according to local provisions. Further information is available at [www.2helpU.com](http://www.2helpU.com)

**Technical data**

		GSL200 (H1)	GSL300 (H1)
Voltage	V <sub>DC</sub>	3.6	3.6
Blade strokes (no load)	min <sup>-1</sup>	850	850
Blade length (shear)	cm	10	-
Blade gap (shear)	mm	23	-
Blade length (trimmer)	cm	-	15
Blade gap (trimmer)	mm	-	8
Blade brake time	s	< 1	< 1
Weight	kg	0.65	0.65

		GSL360 (H1)	GSL700 (H1)
Voltage	V <sub>DC</sub>	3.6	7.0
Blade strokes (no load)	min <sup>-1</sup>	850	850
Blade length (shear)	cm	10	10
Blade gap (shear)	mm	23	23
Blade length (trimmer)	cm	15	15
Blade gap (trimmer)	mm	8	8
Blade brake time	s	< 1	< 1
Weight	kg	0.65	0.65

Charger		905450xx	905527xx 9062xxxx
Input voltage	V <sub>AC</sub>	230	230
Output voltage	V <sub>DC</sub>	9	10
Current	mA	100	120
Approx. charging time	h	19	14
Weight	kg	0.15	0.15

Level of sound pressure according to EN 60745:
Sound pressure (L <sub>pa</sub> ) 66 dB(A), uncertainty (K) 3 dB(A)
Sound power (L <sub>wa</sub> ) 77 dB(A), uncertainty (K) 3 dB(A)

Vibration total values (triax vector sum) according to EN 60745:
(a <sub>v</sub> ) 3.1 m/s <sup>2</sup> , uncertainty (K) 1.5 m/s <sup>2</sup>

**MACHINERY DIRECTIVE  
OUTDOOR NOISE DIRECTIVE**

GSL200, GSL300, GSL360, GSL700 - Shear/Trimmer

Black &amp; Decker declares that these products described under "technical data" are in compliance with:

EN60745-1:2009+A11:2010, EN60745-2-15:2009+A1:2010

2000/14/EC, Trimmer, Annex V

Level of acoustic power according to (5) 2000/14/EC

(Article 13):

 $L_{WA}$  (measured sound power) 77 dB(A) $L_{WA}$  (guaranteed sound power) 87 dB(A)These products also comply with Directive  
2006/42/EC, 2014/30/EU and 2011/65/EU.

For more information, please contact Black &amp; Decker at the following address or refer to the back of the manual.

The undersigned is responsible for compilation of the technical file and makes this declaration on behalf of Black &amp; Decker.

Ray Laverick  
Director of EngineeringBlack & Decker Europe, 210 Bath Road, Slough,  
Berkshire, SL1 3YD  
United Kingdom  
24/07/2018**Garantie**

Black &amp; Decker is confident of the quality of its products and offers consumers a 24 month guarantee from the date of purchase. This guarantee is in addition to and in no way prejudices your statutory rights. The guarantee is valid within the territories of the Member States of the European Union and the European Free Trade Area.

To claim on the guarantee, the claim must be in accordance with Black&Decker Terms and Conditions and you will need to submit proof of purchase to the seller or an authorised repair agent. Terms and conditions of the Black&Decker 2 year guarantee and the location of your nearest authorised repair agent can be obtained on the Internet at [www.2helpU.com](http://www.2helpU.com), or by contacting your local Black & Decker office at the address indicated in this manual.Please visit our website [www.blackanddecker.co.uk](http://www.blackanddecker.co.uk) to register your new Black & Decker product and receive updates on new products and special offers.**Bestimmungsgemäße Verwendung**

Ihre BLACK+DECKER™ GSL200, GSL300, GSL360, GSL700 Heckenschere/Ihr Trimmer wurde zum Trimmen von Gras, Hecken, Sträuchern und Gestrüpp entwickelt. Dieses Gerät ist nicht für den gewerblichen Einsatz vorgesehen.

Ihr BLACK+DECKER Ladegerät wurde zum Laden von BLACK+DECKER Akkus vom im Lieferumfang enthaltenen Typ entwickelt.

**Sicherheitshinweise****Allgemeine Warnhinweise zur Sicherheit von Elektrowerkzeugen****Achtung! Lesen Sie sämtliche Sicherheitswarnhinweise und sonstigen Anweisungen. Die Nichteinhaltung der nachstehend aufgeführten Warnhinweise und sonstigen Anweisungen kann einen elektrischen Schlag, Brand und/oder schwere Verletzungen verursachen.****Bewahren Sie alle Warnhinweise und sonstigen Anweisungen zur künftigen Bezugnahme auf. Der nachfolgend verwendete Begriff "Gerät" bezieht sich auf netzbetriebene Geräte (mit Netzkabel) und auf akkubetriebene Geräte (ohne Netzkabel).****1. Sicherheit am Arbeitsplatz****a. Halten Sie Ihren Arbeitsbereich sauber und gut ausgeleuchtet.**

Unordnung und dunkle Arbeitsbereiche fordern Unfälle geradezu heraus.

**b. Arbeiten Sie mit Geräten nicht in explosionsgefährdeter Umgebung,**

**in der sich brennbare Flüssigkeiten, Gase oder Stäube befinden.** Geräte erzeugen Funken, die den Staub oder die Dämpfe entzünden können.

- c. Halten Sie Kinder und andere Personen während der Benutzung eines Geräts fern.** Bei Ablenkung können Sie die Kontrolle verlieren.

## 2. Elektrische Sicherheit

- a. Der Anschlussstecker des Geräts muß in die Steckdose passen. Der Stecker darf in keiner Weise verändert werden. Verwenden Sie keine Adapterstecker gemeinsam mit schutzgeerdeten Geräten.**

Unveränderte Stecker und passende Steckdosen verringern das Risiko eines elektrischen Schlages.

- b. Vermeiden Sie Körperkontakt mit geerdeten Oberflächen von Rohren, Heizungen, Herden und Kühlschränken.**

Es besteht ein erhöhtes Risiko eines elektrischen Schlags, wenn Ihr Körper geerdet ist.

- c. Halten Sie Geräte von Regen und Nässe fern.** Das Eindringen von Wasser in ein Gerät erhöht das Risiko eines elektrischen Schlages.

- d. Mißbrauchen Sie nicht das Kabel. Verwenden Sie das Kabel niemals zum Tragen, Ziehen oder Trennen des Gerätes vom Netz. Halten Sie das Kabel fern von Hitze, Öl, scharfen Kanten oder sich bewegenden Teilen.** Beschädigte oder verwickelte Kabel erhöhen das Risiko eines elektrischen Schlages.

- e. Wenn Sie mit einem Gerät im Freien arbeiten, verwenden Sie nur Verlängerungskabel, die auch für den Außenbereich zugelassen sind.**

Die Verwendung eines für den Außenbereich geeigneten Verlängerungskabels verringert das Risiko eines elektrischen Schlages.

- f. Falls der Betrieb des Elektrowerkzeugs in einer feuchten Umgebung unvermeidbar ist, verwenden Sie einen mit einem Fehlerstromschutzschalter (FI-Schutzschalter) abgesicherten Stromkreis.** Durch die Verwendung eines FI-Schutzschalters wird das Risiko eines Stromschlags verringert.

## 3. Sicherheit von Personen

- a. Seien Sie aufmerksam, achten Sie darauf, was Sie tun, und gehen Sie vernünftig mit einem Gerät um. Benutzen Sie das Gerät nicht, wenn Sie müde sind oder unter dem Einfluß von Drogen, Alkohol oder Medikamenten stehen.** Ein Moment der Unachtsamkeit beim Gebrauch von Geräten kann zu ernsthaften Verletzungen führen.

- b. Tragen Sie persönliche Schutzausrüstung. Tragen Sie immer eine Schutzbrille.** Das Tragen persönlicher Schutzausrüstung, wie Staubmaske, rutschfeste Sicherheitsschuhe, Schutzhelm oder Gehörschutz, je nach Art und Einsatz des Elektrowerkzeuges, verringert das Risiko von Verletzungen.

- c. Vermeiden Sie eine unbeabsichtigte Inbetriebnahme. Vergewissern Sie sich, dass der Schalter auf der Aus-Stellung steht, bevor Sie den Stecker in die Steckdose stecken und/oder das Akkupaket im Werkzeug stecken, das Werkzeug aufnehmen oder tragen.** Wenn Sie beim Tragen des Elektrowerkzeugs den Finger am Schalter haben oder das Werkzeug eingeschaltet an die Stromversorgung anschließen, kann dies zu Unfällen führen.
- d. Entfernen Sie Einstell- oder Schraubenschlüssel, bevor Sie das Gerät einschalten.** Ein Schlüssel, der sich in einem sich drehenden Teil befindet, kann zu Verletzungen führen.
- e. Nicht zu weit nach vorne strecken! Achten Sie auf einen sicheren Stand, um in jeder Arbeitsposition das Gleichgewicht zu halten.** Dadurch können Sie das Gerät in unerwarteten Situationen besser unter Kontrolle halten.
- f. Tragen Sie geeignete Kleidung. Tragen Sie keine weite Kleidung oder Schmuck. Halten Sie Haare, Kleidung und Handschuhe fern von sich bewegenden Teilen.** Lockere Kleidung, Schmuck oder lange Haare können von sich bewegenden Teilen erfaßt werden.
- g. Falls Staubabsaug- und -auffangvorrichtungen vorhanden sind, vergewissern Sie sich, daß diese angeschlossen sind und richtig verwendet werden.** Das Verwenden dieser Einrichtungen verringert Gefährdungen durch Staub.
- h. Vermeiden Sie, durch die häufige Nutzung des Werkzeugs in einen Trott zu verfallen und Prinzipien für die Werkzeugsicherheit zu ignorieren.** Eine unachtsame Aktion kann im Bruchteil einer Sekunde zu schweren Verletzungen führen.
- 4. Gebrauch und Pflege von Geräten**
- a. Überlasten Sie das Gerät nicht. Verwenden Sie für Ihre Arbeit das dafür bestimmte Gerät.** Mit dem passenden Gerät arbeiten Sie besser und sicherer im angegebenen Leistungsbereich.
- b. Benutzen Sie kein Gerät, dessen Schalter defekt ist.** Ein Gerät, das sich nicht mehr ein- oder ausschalten läßt, ist gefährlich und muß repariert werden.
- c. Trennen Sie den Stecker von der Stromquelle und/oder das Akkupaket vom Elektrowerkzeug, bevor Einstellungen vorgenommen, Zubehör gewechselt oder Elektrowerkzeuge verstaut werden.** Diese Vorsichtsmaßnahmen verhindern den unbeabsichtigten Start des Gerätes.
- d. Bewahren Sie unbenutzte Geräte außerhalb der Reichweite von Kindern auf. Lassen Sie Geräte nicht von Personen benutzen, die damit nicht vertraut sind oder diese Anweisungen nicht gelesen haben.** Geräte sind gefährlich, wenn Sie von



unerfahrenen Personen benutzt werden.

- e. Halten Sie Geräte in einem einwandfreien Zustand. Kontrollieren Sie, ob bewegliche Teile falsch ausgerichtet sind oder klemmen und ob Teile gebrochen oder so beschädigt sind, daß die Funktion des Geräts beeinträchtigt ist. Lassen Sie beschädigte Geräte vor dem Gebrauch reparieren.** Viele Unfälle haben ihre Ursache in schlecht gewarteten Geräten.
- f. Halten Sie Schneidgeräte scharf und sauber.** Sorgfältig gepflegte Schneidgeräte mit scharfen Schneidkanten verklemmen sich weniger und sind leichter zu führen.
- g. Verwenden Sie das Elektrowerkzeug, Zubehör sowie Werkzeug-Bits, usw. entsprechend diesen Anweisungen. Berücksichtigen Sie dabei die Arbeitsbedingungen sowie die durchzuführende Arbeit.** Der Gebrauch von Geräten für andere als die vorgesehenen Anwendungen kann zu gefährlichen Situationen führen.
- h. Halten Sie die Griffe trocken, sauber und frei von Öl und Fett.** Rutschige Griffe und Oberflächen unterbinden die sichere Bedienbarkeit und Kontrolle über das Werkzeug in unerwarteten Situationen.

## 5. Gebrauch und Pflege von Akkugeräten

- a. Laden Sie die Akkus nur in Ladegeräten auf, die vom Hersteller angegeben wurden.** Für ein Ladegerät, das nur für eine bestimmte Akkuart geeignet ist, besteht Brandgefahr, wenn es mit anderen Akkus verwendet wird.
- b. Verwenden Sie nur die für die Geräte vorgesehenen Akkus.** Der Gebrauch von anderen Akkus kann zu Verletzungen und Brandgefahr führen.
- c. Halten Sie den nicht benutzten Akku fern von Büroklammern, Münzen, Schlüsseln, Nägeln, Schrauben oder anderen kleinen Metallgegenständen, die eine Überbrückung der Kontakte verursachen könnten.** Ein Kurzschluss zwischen den Akkukontakten kann Verbrennungen oder Feuer zur Folge haben.
- d. Bei falscher Anwendung kann Flüssigkeit aus dem Akku austreten. Vermeiden Sie den Kontakt damit. Bei unbeabsichtigtem Kontakt mit Wasser abspülen. Gelangt die Flüssigkeit in die Augen, ziehen Sie außerdem ärztliche Hilfe hinzu.** Austretende Batterieflüssigkeit kann zu Hautreizungen oder Verbrennungen führen.
- e. Verwenden Sie keine Akkus oder Werkzeuge, die beschädigt sind oder modifiziert wurden.** Beschädigte oder modifizierte Akkus können sich unvorhersehbar verhalten und stellen ein Risiko von Feuer, Explosionen oder Verletzungen dar.



- f. **Setzen Sie Akkus und Werkzeuge keinem Feuer oder extremen Temperaturen aus.** Die Einwirkung von Feuer oder Temperaturen über 130°C kann zu Explosionen führen.
- g. **Befolgen Sie alle Anweisungen zum Aufladen und laden Sie den Akku oder das Werkzeug nicht jenseits des in der Anleitung angegebenen Temperaturbereichs auf.** Das falsche Aufladen oder das Aufladen bei Temperaturen jenseits des angegebenen Bereichs kann den Akku beschädigen und das Brandrisiko erhöhen.

## 6. Service

- a. **Lassen Sie Ihr Gerät nur von qualifiziertem Fachpersonal und nur mit Original-Ersatzteilen reparieren.** Damit wird gewährleistet, daß die Sicherheit des Geräts erhalten bleibt.
- b. **Führen Sie an beschädigten Akkus niemals Wartungsarbeiten durch.** Die Wartung von Akkus darf nur vom Hersteller oder von autorisierten Dienstleistern durchgeführt werden.

## Zusätzliche Warnhinweise zur Sicherheit von Elektrowerkzeugen



**Achtung!** Zusätzliche Warnhinweise zur Sicherheit von Heckenschere

- ◆ **Halten Sie alle Körperteile vom Schnittmesser fern. Entfernen Sie kein geschnittenes Material und**

**halten Sie kein zu schneidendes Material, solange sich die Messer bewegen. Vergewissern Sie sich, daß der Schalter ausgeschaltet ist, wenn eingeklemmtes Material entfernt wird.** Ein Moment der Unachtsamkeit beim Gebrauch der Heckenschere kann zu ernsthaften Verletzungen führen.

- ◆ **Tragen Sie die Heckenschere immer am Handgriff und mit abgeschaltetem Messer. Bringen Sie beim Transport oder der Aufbewahrung der Heckenschere immer die Messerhülle an.** Eine vernünftige Handhabung der Heckenschere verringert die mögliche Verletzungsgefahr durch die Messer.
- ◆ **Halten Sie das Kabel vom Schnittbereich fern.** Während der Arbeit kann das Kabel in Sträuchern übersehen und versehentlich vom Messer durchtrennt werden.
- ◆ **Halten Sie das Elektrowerkzeug nur an den isolierten Griffflächen fest, da das Messer versteckte Kabel berühren könnte.** Messer, die eine spannungsführende Leitung berühren, können die freiliegenden Metallteile des Elektrowerkzeugs unter Spannung setzen und der Benutzer kann einen Stromschlag erleiden.
- ◆ Die bestimmungsgemäße Verwendung ist in dieser Bedienungsanleitung beschrieben. Das Verwenden anderer als der in dieser Anleitung empfohlenen Anbaugeräte und Zubehörteile oder die Ausführung von

Arbeiten mit diesem Werkzeug, die nicht der bestimmungsgemäßen Verwendung entsprechen, kann zu Unfallgefahren und/oder Sachschäden führen.

- ◆ Falls Sie noch nie zuvor eine Heckenschere benutzt haben, lassen Sie sich möglichst von einem erfahrenen Benutzer einweisen. Lesen Sie darüber hinaus diese Anleitung sorgfältig durch.
- ◆ Berühren Sie niemals die Messer, während das Werkzeug läuft.
- ◆ Versuchen Sie nie, die Messer mit Gewalt zum Stillstand zu bringen.
- ◆ Legen Sie das Werkzeug erst dann nieder, wenn die Messer vollkommen zum Stillstand gekommen sind.
- ◆ Prüfen Sie die Messer regelmäßig auf Beschädigung und Abnutzung. Verwenden Sie das Werkzeug nicht, wenn die Messer beschädigt sind.
- ◆ Sorgen Sie dafür, daß Sie beim Schneiden nicht auf harte Gegenstände (z.B. Metalldraht, Gitter) stoßen. Sollten Sie versehentlich doch auf einen harten Gegenstand stoßen, schalten Sie das Werkzeug sofort aus und überprüfen Sie es auf etwaige Beschädigungen.
- ◆ Sollte das Werkzeug plötzlich stark vibrieren, schalten Sie es sofort aus und überprüfen Sie es auf etwaige Beschädigungen.
- ◆ Wenn das Werkzeug sich festfährt, schalten Sie es sofort aus.
- ◆ Schieben Sie nach dem Gebrauch die im Lieferumfang enthaltene

Messerhülle über die Messer. Verstauen Sie das Werkzeug und vergewissern Sie sich, daß die Messerhülle angebracht ist.

- ◆ Vergewissern Sie sich vor dem Gebrauch immer, daß alle Schutzvorrichtungen ordnungsgemäß montiert sind. Versuchen Sie nie, ein Werkzeug zu verwenden, an dem Teile fehlen oder an dem unbefugte Änderungen vorgenommen wurden.
- ◆ Verbieten Sie Kindern den Umgang mit dem Werkzeug.
- ◆ Passen Sie auf herunterfallendes Schnittgut auf, wenn Sie die höher liegenden Seiten einer Hecke schneiden.

### Zusätzliche Warnhinweise zur Sicherheit von Elektrowerkzeugen



**Achtung!** Zusätzliche Warnhinweise zur Sicherheit von Schneidgeräten

- ◆ Untersagen Sie Kindern sowie Personen, die sich mit dem Inhalt dieser Anleitung nicht auskennen, die Verwendung dieser Maschine. Die regionale Gesetzgebung sieht möglicherweise eine Mindestaltersbeschränkung vor.
- ◆ Denken Sie daran, daß der Benutzer für Unfälle und Schäden haftet.
- ◆ Verwenden Sie die Maschine niemals, wenn sich Personen, insbesondere

Kinder oder Tiere, in der Nähe aufhalten.

- ◆ Verwenden Sie die Maschine nur bei Tageslicht oder guter künstlicher Beleuchtung.
- ◆ Vergewissern Sie sich stets, daß die Ventilationsöffnungen frei von Unrat sind.
- ◆ Verwenden Sie nur vom Hersteller empfohlene Ersatzteile und Zubehör.
- ◆ Überprüfen und warten Sie die Maschine regelmäßig. Lassen Sie die Maschine nur von einem autorisierten Reparaturservice reparieren.

## Sicherheit anderer Personen

- ◆ Dieses Gerät kann von Kindern ab 8 Jahren und Personen mit körperlichen, sensorischen oder geistigen Einschränkungen bzw. ohne Erfahrung und Kenntnisse verwendet werden, wenn sie beaufsichtigt werden oder ihnen die sichere Verwendung des Geräts erklärt wurde und sie die vorhandenen Gefahren verstehen.
- ◆ Kinder dürfen nicht mit dem Gerät spielen. Reinigung und Wartungsarbeiten dürfen von Kindern nur unter Aufsicht durchgeführt werden.

## Vibrationen

Die angegebenen Vibrationswerte in den Technischen Daten und der Konformitätserklärung wurden gemäß einer standardisierten und durch EN 60745 festgelegten Prüfmethode gemessen und können herangezogen

werden, um ein Werkzeug mit einem anderen zu vergleichen. Der angegebene Vibrationswert kann auch für eine vorläufige Einstufung der Freisetzung herangezogen werden.

**Achtung!** Der Vibrationswert beim eigentlichen Gebrauch des Elektrowerkzeugs kann vom angegebenen Wert abweichen. Dies hängt davon ab, auf welche Weise das Werkzeug verwendet wird. Der Vibrationswert kann über den angegebenen Wert hinaus ansteigen. Bei der Einstufung der Vibrationen zur Festlegung der von 2002/44/EG geforderten Sicherheitsmaßnahmen zum Schutz von Personen, die beruflich regelmäßig mit Elektrowerkzeugen arbeiten, muß eine Vibrationseinstufung die tatsächlichen Gebrauchsbedingungen und die Art und Weise berücksichtigen, wie das Werkzeug verwendet wird. Auch müssen alle Aspekte des Arbeitszyklus berücksichtigt werden, wie beispielsweise die Zeiten, in denen das Werkzeug aus und eingeschaltet ist und im Leerlauf läuft.

## Schilder auf dem Werkzeug

Folgende Piktogramme zusammen mit dem Datumscode auf dem Werkzeug gezeigt:



**Achtung!** Um die Verletzungsgefahr zu verringern, muß der Benutzer die Bedienungsanleitung lesen.



Tragen Sie bei der Verwendung dieses Werkzeugs eine Schutzbrille!



Setzen Sie das Gerät keinem Regen oder hoher Feuchtigkeit aus.



Vorsicht vor den scharfen Messern. Wird der Motor ausgeschaltet, so laufen die Messer nach.



Vorsicht vor herumfliegenden Gegenständen. Halten Sie andere Personen fern.



Gerät der Klasse III.



Garantierter Schalldruckpegel, gemessen nach Richtlinie 2000/14/EG.

## Zusätzliche Sicherheitsanweisungen für Akkus und Ladegeräte

### Akkus

- ◆ Versuchen Sie auf keinen Fall, einen Akku zu öffnen.
- ◆ Setzen Sie den Akku keiner Feuchtigkeit aus.
- ◆ Lagern Sie den Akku nicht an einem Ort, wo die Temperatur 40 °C erreichen kann.
- ◆ Nur bei Umgebungstemperaturen zwischen 10 °C und 40 °C aufladen.
- ◆ Laden Sie den Akku nur mit dem im Lieferumfang enthaltenen Ladegerät. Durch die Verwendung des falschen Ladegeräts besteht das Risiko eines

Stromschlags oder die Gefahr der Überhitzung des Akkus.

- ◆ Befolgen Sie bei der Entsorgung von Akkus die Anweisungen im Abschnitt "Umweltschutz".
- ◆ Beschädigen und deformieren Sie den Akku nicht - weder durch Einstiche noch durch Schläge, da Sie sich hierdurch verletzen können und ein Brand entstehen kann.
- ◆ Laden Sie keine beschädigten Akkus.
- ◆ Unter extremen Einsatzbedingungen kann Akkuflüssigkeit austreten. Wenn Sie Flüssigkeit auf den Akkus feststellen, wischen Sie diese vorsichtig mit einem Lappen weg. Vermeiden Sie eine Berührung mit der Haut.
- ◆ Falls die Flüssigkeit doch mit der Haut oder den Augen in Berührung kommen sollte, befolgen Sie die folgenden Hinweise.

**Achtung!** Die Akkuflüssigkeit kann zu Personenverletzungen oder Sachschäden führen. Bei einem Hautkontakt spülen Sie sofort mit reichlich Wasser. Treten Rötungen, Schmerzen oder Reizungen auf, suchen Sie einen Arzt auf. Bei Augenkontakt spülen Sie die Augen sofort mit sauberem Wasser aus und suchen Sie einen Arzt auf.

### Ladegeräte

Ihr Ladegerät wurde für eine bestimmte Spannung konstruiert. Überprüfen Sie immer, ob die Netzspannung mit der

Spannung auf der Datenplakette übereinstimmt.

Spannung auf der Datenplakette übereinstimmt.

**Achtung!** Tauschen Sie das Ladegerät auf keinen Fall gegen einen Netzstecker aus.

- ◆ Verwenden Sie Ihr BLACK+DECKER Ladegerät nur zum Laden von Akkus des im Lieferumfang enthaltenen Typs. Andere Akkus können platzen und Sach- und Personenschäden verursachen.
- ◆ Versuchen Sie nie, nicht aufladbare Batterien zu laden.
- ◆ Falls das Netzkabel beschädigt ist, so ist es vom Hersteller oder einem autorisierten BLACK+DECKER Service Center auszutauschen, um Gefahren vorzubeugen.
- ◆ Setzen Sie das Ladegerät niemals Feuchtigkeit aus.
- ◆ Öffnen Sie das Ladegerät nicht.
- ◆ Manipulieren Sie das Ladegerät nicht.
- ◆ Gerät/Werkzeug/Akku müssen sich beim Aufladen an einem gut belüfteten Ort befinden.



Das Ladegerät darf nur im Innenbereich verwendet werden.



Vor Gebrauch die Anleitung lesen.

## Elektrische Sicherheit



Ihr Ladegerät ist schutzisoliert, daher ist keine Erdleitung erforderlich. Überprüfen Sie immer, ob die Netzspannung mit der

- ◆ Falls das Netzkabel beschädigt ist, so ist es vom Hersteller oder einem autorisierten BLACK+DECKER Service Center auszutauschen, um Gefahren vorzubeugen.
- ◆ **Achtung!** Tauschen Sie das Ladegerät auf keinen Fall gegen einen Netzstecker aus.

## Merkmale

1. Ein-/Aus-Schalter
2. Einschaltsperr
3. Messerlöseknopf
4. Scheidmesser (GSL200/GSL360/GSL700)
5. Trimmer (GSL300/GSL360/GSL700)
6. Ladeanzeige

## Montage

**Achtung!** Vermeiden Sie bei der Montage ein versehentliches Einschalten des Werkzeugs.

## Montieren der Wandhalterung an der Wand (Abb. A & B)

Die Wandhalterung kann an der Wand angebracht werden, wodurch man einen bequemen Aufbewahrungs- und Ladeplatz für das Werkzeug erhält.

- ◆ Schrauben Sie die Schrauben in der Wandhalterung durch die Löcher in den Spalten der Wandhalterung.
- ◆ Setzen Sie das Werkzeug auf die Wandhalterung.
- ◆ Stecken Sie das Ladegerät ein und vergewissern Sie sich, daß die Ladeanzeige (6) aufleuchtet (Abb. A).
- ◆ Verwenden Sie falls erforderlich die beiden Aufhänger (7) unterhalb der Wandhalterung, um das Ersatzmesser (Abb. B) zu verstauen.

**Achtung!** Vermeiden Sie eine Beschädigung der Stromleitung, wenn die Wandhalterung an der Wand angebracht wird.

## Entfernen des Ladegerätsteckers von der Wandhalterung (Abb. C)

Das Werkzeug kann ohne Verwendung der Wandhalterung aufgeladen werden. Der Ladegerätstecker kann direkt mit dem Werkzeug verbunden werden.

- ◆ Entfernen Sie die Schrauben von der Rückseite der Wandhalterung.

- ◆ Schieben Sie den rückwärtigen Teil (8) vom vorderen Teil (9), um die Wandhalterung zu öffnen.
- ◆ Entfernen Sie den Ladegerätestecker von der Wandhalterung.

### Anbringen und Entfernen des Messers (Abb. D & E)

Das Schneidmesser (4) wurde zum Kürzen von Gras und Unkraut konstruiert. Das Trimmesser (5) wurde zum Kürzen von Hecken und Sträuchern konstruiert.

- ◆ Entfernen Sie die Messerhülle.
- ◆ Drücken Sie den Messerlöseknopf (3) in Pfeilrichtung (Abb. D1) und halten Sie ihn fest.
- ◆ Schieben Sie die Messerhülle (10) zurück und heben Sie sie ab (Abb. D2).
- ◆ Senken Sie die Klinge auf die Stifte.
- ◆ Während Sie das Messer auf den Stiften halten (Abb. E1), bringen Sie die Messerhülle (10) wieder an und schieben Sie sie nach vorne (Abb. E2).

**Hinweis:** Eine Ausrichtung des Messers mit dem Antriebsstift ist nicht erforderlich und die Betätigung des Löseknopfes für die Messerhülle ist beim Wiederanbringen der Messerhülle nicht erforderlich.

### Gebrauch

**Achtung!** Beschleunigen Sie den Arbeitsvorgang nicht mit Gewalt. Vermeiden Sie eine Überlastung des Gerätes.

### Laden des Akkus

Der Akku ist zu laden, bevor Sie das Akku-Gerät zum ersten Mal benutzen sowie wenn die Leistung des Akku-Geräts spürbar nachläßt. Wenn der Akku zum ersten Mal oder nach längerer Lagerung geladen wird, wird er nur 80% der Nennkapazität erreichen. Erst nach mehreren Lade- und Entladezyklen wird der Akku die volle Kapazität erreichen. Während des Ladens kann sich der Akku erwärmen. Dies deutet nicht auf irgendein Problem hin.

**Achtung!** Laden Sie den Akku nicht bei einer Umgebungstemperatur unter 10 °C oder über 40 °C. Empfohlene Ladetemperatur: zirka 24 °C.

Das Werkzeug kann beliebig lange am Ladegerät angeschlossen bleiben. Um die Lebensdauer des Akkus zu verlängern, empfiehlt es sich, den Akku immer an das Ladegerät anzuschließen, wenn das Werkzeug nicht verwendet wird. Wenn der Akku voll ist, ist die Stromaufnahme des Ladegerätes zu vernachlässigen.

### Aufladen mit dem Wandhalter (Abb. F)

- ◆ Setzen Sie das Werkzeug auf die Wandhalterung (11).
- ◆ Stecken Sie das Ladegerät in die Steckdose.

### Laden mit dem Ladegerätestecker (Abb. G)

Der Ladegerätestecker weist Sperrern auf, um die Verwendung eines falschen Ladegeräts zu vermeiden.

- ◆ Stecken Sie den Ladegerätestecker (12) in den Ladegeräteanschluss hinten am Werkzeug.
- ◆ Stecken Sie das Ladegerät in die Steckdose.

### GSL200/GSL300/GSL360 - Aufladen des Akkus

- ◆ Laden Sie den Akku auf.

Ist der Akku aufgeladen, leuchtet die Ladeanzeige (6) auf. Die Ladeanzeige leuchtet nicht mehr, wenn der Ladevorgang abgeschlossen ist..

### GSL700 - Laden des Akkus

- ◆ Laden Sie den Akku auf.

Ist der Akku aufgeladen, blinkt die Ladeanzeige (6). Die Ladeanzeige blinkt nicht mehr, wenn der Ladevorgang abgeschlossen ist. Tritt ein Ladeproblem auf, blinkt die Ladeanzeige schnell. Tritt ein Ladeproblem auf, verbinden Sie das Werkzeug direkt mit dem Ladegerätestecker, indem Sie die Wandhalterung entfernen. Tritt das Ladeproblem weiterhin auf, muß das Ladegerät vom Netz getrennt und zur Reparatur zu einem autorisierten Servicecenter gebracht werden.

### Ein- und Ausschalten (Abb. H)

#### Einschalten

- ◆ Drücken Sie die Einschaltsperrle (2) nach rechts oder nach links, halten Sie sie dort fest und drücken Sie anschließend auf den Ein-/Aus-Schalter (1).
- ◆ Lassen Sie die Einschaltsperrle los.

#### Ausschalten

- ◆ Lassen Sie den Ein-/Ausschalter (1) los.

**Achtung!** Versuchen Sie niemals, den Schalter im eingeschalteten Zustand zu blockieren.

### Hinweise für optimale Arbeitsergebnisse (Abb. I & J)

- ◆ Sprühen Sie die Klinge mit einer leichten Beschichtung von Licht allgemeinen Gebrauch Öl vor dem ersten Gebrauch und immer, wenn die Blätter beginnen zu trocken aussehen.

### Kürzen von Gras

- ◆ Um optimale Schnittergebnisse zu erzielen, schneiden Sie nur trockenes Gras.
- ◆ Halten Sie das Werkzeug, wie in Abb. I1 & I2 dargestellt. Halten Sie Ihre andere Hand ausreichend vom Messer fern. Sorgen Sie für eine standsichere Arbeitsposition, damit Sie nicht ausrutschen. Nicht zu weit nach vorne strecken.

- ◆ Bei langem Gras arbeiten Sie stufenweise in kleinen Schritten von oben nach unten. Führen Sie kleine Schnitte aus.
- ◆ Halten Sie das Werkzeug von harten Gegenständen und empfindlichen Pflanzen fern.
- ◆ Falls das Werkzeug beginnt, langsam zu laufen, verringern Sie die Belastung.
- ◆ Um einen kürzeren Schnitt zu erzielen, neigen Sie das Werkzeug ein wenig.

### Kürzen von Hecken

- ◆ Neigen Sie das Werkzeug ein wenig (max. 15° im Verhältnis zur Schnitlinie), so daß die Messerspitzen etwas zur Hecke weisen (Abb. J1). So schneiden die Messer besser.
- ◆ Kürzen Sie zuerst die Oberseite der Hecke. Halten Sie das Werkzeug im gewünschten Winkel und bewegen Sie es gleichmäßig entlang der Schnitlinie (Abb. J2). Da die Messer an beiden Seiten schneiden, können Sie in beide Richtungen schneiden.
- ◆ Um einen sehr geraden Schnitt zu erzielen, spannen Sie auf der gewünschten Höhe eine Schnur über die gesamte Länge der Hecke. Verwenden Sie die Schnur als Bezugslinie und schneiden Sie unmittelbar oberhalb der Schnur.
- ◆ Um flache Seiten zu erhalten, schneiden Sie aufwärts. Wenn die Messer nach unten schneiden, bewegen sich jüngere Zweige nach außen. Dies führt zu schmalen Fetzen in der Hecke.
- ◆ Achten Sie darauf, daß Sie nicht auf Fremdkörper stoßen. Passen Sie speziell auf harte Objekte wie Metalldraht und Gitter auf, da diese die Messer beschädigen können.
- ◆ Ölen Sie die Messer regelmäßig.

### Wann sollte man schneiden

- ◆ Im allgemeinen sind Hecken, die ihr Laub im Herbst verlieren, im Juni und im Oktober zu schneiden.
- ◆ Immergrüne Hecken sind im April und im August zu schneiden.
- ◆ Koniferen und andere schnell wachsende Straucharten können ab Mai etwa alle 6 Wochen geschnitten werden.

### Wartung

Ihr netz- oder akkubetriebenes BLACK+DECKER Gerät/Werkzeug wurde im Hinblick auf eine lange Lebensdauer und einen möglichst geringen Wartungsaufwand entwickelt. Ein dauerhafter, einwandfreier Betrieb setzt eine regelmäßige Pflege und Reinigung voraus.

**Achtung!** Vor der Durchführung von Wartungsarbeiten an Elektrogeräten/-werkzeugen mit oder ohne Netzleitung:

- ◆ Schalten Sie das Gerät/Werkzeug aus und ziehen Sie den Netzstecker.

- ◆ Oder schalten Sie das Gerät aus und entfernen Sie den Akku aus dem Gerät/Werkzeug, falls das Gerät/Werkzeug einen eigenen Akku hat.
- ◆ Oder lassen Sie den Akku vollkommen leerlaufen, falls dieser im Gerät eingebaut ist. Schalten Sie das Gerät dann aus.
- ◆ Ziehen Sie den Netzstecker des Ladegeräts aus der Steckdose, bevor Sie es reinigen. Ihr Ladegerät bedarf keinerlei Wartung außer einer regelmäßigen Reinigung.
- ◆ Reinigen Sie regelmäßig die Lüftungsschlitze im Gerät/Werkzeug/Ladegerät mit Hilfe einer weichen Bürste oder eines trockenen Lappens.
- ◆ Reinigen Sie regelmäßig das Motorgehäuse mit Hilfe eines feuchten Lappens. Verwenden Sie keine scheuernden Reinigungsmittel oder Reinigungsmittel auf Lösungsmittelbasis.
- ◆ Reinigen Sie regelmäßig das Spannfutter (falls angebracht), indem Sie es öffnen und durch leichtes Klopfen den Staub aus dem Inneren entfernen.
- ◆ Reinigen Sie die Messer nach dem Gebrauch vorsichtig. Geben Sie nach dem Reinigen zum Schutz vor Korrosion leichtes Maschinenöl auf die Messer.

### Aufbewahrung

Wenn das Werkzeug mehrere Monate nicht verwendet wird, lassen Sie es am besten am Ladegerät angeschlossen. Falls dies nicht möglich ist, gehen Sie folgendermaßen vor:

- ◆ Laden Sie den Akku vollständig.
- ◆ Verstauen Sie das Werkzeug an einem sicheren und trockenen Ort. Die Lagertemperatur muß immer im Bereich zwischen +5 °C bis +40 °C liegen.
- ◆ Bevor Sie das Werkzeug nach längerer Aufbewahrung wieder verwenden, laden Sie den Akku wieder vollständig auf.

### Umweltschutz



Getrennte Entsorgung. Produkte und Akkus mit diesem Symbol dürfen nicht mit dem normalen Hausmüll entsorgt werden.

Produkte und Akkus enthalten Materialien, die wiederverwertet werden können, um den Bedarf an Rohstoffen zu verringern. Bitte recyceln Sie elektrische Produkte und Akkus gemäß den örtlichen Bestimmungen. Weitere Informationen finden Sie auf [www.2helpU.com](http://www.2helpU.com)



## Technische Daten

		GSL200 (H1)	GSL300 (H1)
Spannung	V <sub>DC</sub>	3.6	3.6
Messerhöhe (Leerlauf)	min <sup>-1</sup>	850	850
Messerlänge (Schere)	cm	10	-
Messerspalt (Schere)	mm	23	-
Messerlänge (Trimmer)	cm	-	15
Messerspalt (Trimmer)	mm	-	8
Messerbremszeit	s	< 1	< 1
Gewicht	kg	0.65	0.65

		GSL360 (H1)	GSL700 (H1)
Spannung	V <sub>DC</sub>	3.6	7.0
Messerhöhe (Leerlauf)	min <sup>-1</sup>	850	850
Messerlänge (Schere)	cm	10	10
Messerspalt (Schere)	mm	23	23
Messerlänge (Trimmer)	cm	15	15
Messerspalt (Trimmer)	mm	8	8
Messerbremszeit	s	< 1	< 1
Gewicht	kg	0.65	0.65

Ladegerät		905450xx	905527xx 9062xxxx
Netzspannung	V <sub>AC</sub>	230	230
Ausgangsspannung	V <sub>DC</sub>	9	10
Amperezahl	mA	100	120
Ladezeit (zirka)	h	19	14
Gewicht	kg	0.15	0.15

Höhe des Schalldrucks gemäß EN 60745:			
Schalldruck (L <sub>pa</sub> )	66 dB(A), Unsicherheitsfaktor (K) 3 dB(A)		
Schalleistung (L <sub>wa</sub> )	77 dB(A), Unsicherheitsfaktor (K) 3 dB(A)		
Gesamtvibrationswerte (Triax-Vektorsumme) gemäß EN 60745:			
Vibrationsemissionswert (a <sub>v</sub> )	3.1 m/s <sup>2</sup> , Unsicherheitsfaktor (K) 1.5 m/s <sup>2</sup>		

## EG-Konformitätserklärung

MASCHINENRICHTLINIE  
AUSSENLÄRM-RICHTLINIE



GSL200/GSL300/GSL360/GSL700 - Heckenschere/Trimmer

Black & Decker erklärt, daß diese unter "Technische Daten" beschriebenen Produkte folgende Richtlinien erfüllen: EN60745-1:2009+A11:2010, EN60745-2-15:2009+A1:2010

2000/14/EG, Trimmer, Anhang V  
Schalleistungsstärke gemäß (5) (5) 2000/14/EC  
(Artikel 13):

L<sub>WA</sub> (gemessene Schalleistung) 77 dB(A)

L<sub>WA</sub> (garantierte Schalleistung) 87 dB(A)

Diese Produkte entsprechen außerdem den Richtlinien 2006/42/EC, 2014/30/EU und 2011/65/EU.

Weitere Informationen erhalten Sie von Black & Decker unter der folgenden Adresse. Diese befindet sich auch auf der Rückseite dieser Anleitung.

Der Unterzeichnete ist für die Zusammenstellung der technischen Datei verantwortlich und gibt diese Erklärung im Namen von Black & Decker ab.

Ray Laverick  
Director of Engineering  
Black & Decker Europe, 210 Bath Road, Slough,  
Berkshire, SL1 3YD  
Vereinigtes Königreich  
24/07/2018

## Garantie

Black & Decker vertraut auf die Qualität der eigenen Geräte und bietet dem Käufer eine außergewöhnliche Garantie von 24 Monaten ab Kaufdatum. Diese Garantie versteht sich unbeschadet der gesetzlichen Gewährleistungsansprüche und schränkt diese keinesfalls ein. Diese Garantie gilt innerhalb der Staatsgebiete der Mitgliedstaaten der Europäischen Union und der Europäischen Freihandelszone.

Zur Inanspruchnahme dieser Garantie muss sie den allgemeinen Geschäftsbedingungen von Black&Decker entsprechen und dem Verkäufer bzw. der Vertragswerkstatt ist ein Kaufnachweis vorzulegen. Die Bedingungen für die 2-jährige Garantie von Black&Decker und den Standort Ihrer nächstgelegenen Vertragswerkstatt finden Sie im Internet unter [www.2helpU.com](http://www.2helpU.com) oder indem Sie sich an die lokale Black&Decker-Niederlassung wenden, deren Adresse Sie in dieser Anleitung finden.

Ihr neues Black & Decker Produkt können Sie auf unserer Website unter [www.blackanddecker.de](http://www.blackanddecker.de) registrieren. Dort erhalten Sie auch Informationen über neue Produkte und Sonderangebote.



## Utilisation prévue

Votre cisaille/taille-haie BLACK+DECKER™ GSL200, GSL300, GSL360, GSL700 a été conçue pour tailler la pelouse, les haies, les buissons et les ronces. Cet outil est prévu pour un usage grand public uniquement.

Votre chargeur BLACK+DECKER a été conçu pour le chargement de batteries BLACK+DECKER identiques à celles fournies avec cet outil.

## Instructions de sécurité

### Consignes de sécurité générales pour les outils électriques



**Attention ! Prenez connaissance de tous les avertissements de sécurité et de toutes les instructions.** Le non-respect des avertissements et des instructions indiqués ci-dessous peut entraîner une électrocution, un incendie ou de graves blessures.

**Conservez tous les avertissements et instructions pour référence future.** La notion d' "outil électroportatif" mentionnée par la suite se rapporte à des outils électriques raccordés au secteur (avec câble de raccordement) ou fonctionnant sur piles (sans fil).

#### 1. Sécurité de la zone de travail

- a. **Maintenez la zone de travail propre et bien éclairée.** Un lieu de travail en désordre ou mal éclairé augmente le risque d'accidents.
- b. **N'utilisez pas les outils électroportatifs dans un environnement présentant des risques d'explosion ni en présence**

**de liquides, gaz ou poussières inflammables.** Les outils électroportatifs génèrent des étincelles risquant d'enflammer les poussières ou les vapeurs.

- c. **Tenez les enfants et autres personnes éloignés durant l'utilisation de l'outil électroportatif.** En cas d'inattention, vous risquez de perdre le contrôle sur l'outil.

#### 2. Sécurité électrique

- a. **La fiche de secteur de l'outil électroportatif doit convenir à la prise de courant. Ne modifiez en aucun cas la fiche. N'utilisez pas de fiches d'adaptateur avec des outils ayant une prise de terre.** Les fiches non modifiées et les prises de courant appropriées réduisent le risque d'électrocution.
- b. **Évitez le contact physique avec des surfaces mises à la terre telles que tuyaux, radiateurs, fours et réfrigérateurs.** Il y a un risque élevé d'électrocution si votre corps est relié à la terre.
- c. **N'exposez pas l'outil électroportatif à la pluie ni à l'humidité.** La pénétration d'eau dans un outil électroportatif augmente le risque d'électrocution.
- d. **Préservez le câble d'alimentation. N'utilisez pas le câble à d'autres fins que celles prévues, notamment pour porter l'outil, l'accrocher voire le débrancher de la prise de courant. Maintenez le câble éloigné**

**des sources de chaleur, des parties grasses, des bords tranchants ou des parties de l'outil en rotation.** Un câble endommagé ou enchevêtré augmente le risque d'électrocution.

**e. Si vous utilisez l'outil électroportatif à l'extérieur, utilisez une rallonge homologuée pour utilisation à l'air libre.** L'utilisation d'une rallonge électrique homologuée pour les applications extérieures réduit le risque d'électrocution.

**f. Si l'usage d'un outil dans un emplacement humide est inévitable, utilisez une alimentation protégée par un dispositif à courant différentiel résiduel (RCD).** L'usage d'un RCD réduit le risque de choc électrique.

### 3. Sécurité personnelle

**a. Restez vigilant, surveillez ce que vous faites. Faites preuve de bon sens quand vous utilisez l'outil électroportatif. N'utilisez pas l'outil lorsque vous êtes fatigué ou après avoir consommé de l'alcool, des drogues voire des médicaments.** Un moment d'inattention lors de l'utilisation de l'outil peut entraîner de graves blessures.

**b. Utilisez un équipement de protection personnelle. Portez toujours une protection pour les yeux.** Les équipements de protection personnelle tels que les masques anti-poussières, chaussures de sécurité antidérapantes, casques ou

protections acoustiques utilisés dans des conditions appropriées réduisent les blessures.

**c. Évitez toute mise en marche involontaire. Vérifiez que l'interrupteur est en position arrêt avant de brancher l'outil au secteur ou au bloc de batteries, de le prendre ou de le porter.** Transporter les outils en avec le doigt sur l'interrupteur ou les brancher avec l'interrupteur en position de marche est une source d'accidents.

**d. Enlevez tout outil ou clé de réglage avant de mettre l'outil en marche.** Une clé ou un outil se trouvant sur une partie en rotation peut causer des blessures.

**e. Adoptez une position confortable. Adoptez une position stable et gardez votre équilibre à tout moment.** Vous contrôlerez mieux l'outil dans des situations inattendues.

**f. Portez des vêtements appropriés. Ne portez pas de vêtements flottants ou de bijoux. N'approchez pas les cheveux, vêtements ou gants des parties des pièces mobiles.** Les vêtements amples, les bijoux ou les cheveux longs peuvent être attrapés dans les pièces en mouvement.

**g. Si des dispositifs servant à aspirer ou à recueillir les poussières doivent être utilisés, vérifiez qu'ils sont correctement raccordés et utilisés.** Le fait d'aspirer la poussière

permet de réduire les risques inhérents à la poussière.

- h. Ne pensez pas être si familiarisé avec l'outil après l'avoir utilisé à de nombreuses reprises, au point de ne plus rester vigilant et d'en oublier les consignes de sécurité.** Toute action imprudente peut engendrer de graves blessures en une fraction de seconde.

#### **4. Utilisation des outils électroportatifs et précautions**

- a. Ne surchargez pas l'outil. Utilisez l'outil électroportatif approprié pour le travail à effectuer.** Avec l'outil électroportatif approprié, vous travaillerez mieux et avec plus de sécurité à la vitesse pour laquelle il a été conçu.
- b. N'utilisez pas un outil électroportatif dont l'interrupteur est défectueux.** Un outil électroportatif qui ne peut plus être mis en ou hors fonctionnement est dangereux et doit être réparé.
- c. Déconnectez la prise de la source d'alimentation ou le pack-batterie de l'outil électrique avant tout réglage, changement d'accessoire voire rangement des outils électriques.** Cette mesure de précaution empêche une mise en marche par mégarde.
- d. Rangez les outils électroportatifs hors de portée des enfants. Ne laissez pas les personnes n'étant pas familiarisées avec l'outil ou n'ayant pas lu ces instructions**

**l'utiliser.** Les outils électroportatifs sont dangereux lorsqu'ils sont utilisés par des personnes non initiées.

- e. Prenez soin des outils électroportatifs. Vérifiez que les parties en mouvement fonctionnent correctement et qu'elles ne sont pas coincées ; vérifiez qu'il n'y a pas de pièces cassées ou endommagées susceptibles de nuire au bon fonctionnement de l'outil. S'il est endommagé, faites réparer l'outil avant de l'utiliser.** De nombreux accidents sont dus à des outils électroportatifs mal entretenus.
- f. Maintenez les outils de coupe aiguisés et propres.** Des outils soigneusement entretenus avec des bords tranchants bien aiguisés se coincent moins souvent et peuvent être guidés plus facilement.
- g. Utilisez l'outil électrique, les accessoires et forets, etc. conformément à ces instructions, en tenant compte des conditions de travail et des tâches à effectuer.** L'utilisation des outils électroportatifs à d'autres fins que celles prévues peut entraîner des situations dangereuses.
- h. Veillez à ce que les poignées et les surfaces de préhension soient sèches et propres, sans trace d'huile ou de graisse.** Des poignées glissantes et des surfaces grasses ne permettent pas de manipuler ou de contrôler l'outil de façon sûre en cas de situation inattendue.

## 5. Utilisation des outils à batterie et précautions

- a. **Rechargez la batterie uniquement avec le chargeur spécifié par le fabricant.** Un chargeur prévu pour un type de batterie présente un risque d'incendie s'il est utilisé avec un autre type de batterie.
- b. **Utilisez les outils électroportatifs uniquement avec les batteries spécifiquement conçues pour eux.** L'utilisation d'autres batteries peut comporter un risque de blessures ou d'incendie.
- c. **Quand vous ne l'utilisez pas, rangez la batterie loin d'autres objets métalliques tels que trombones, pièces, clous, vis ou autres pouvant créer une connexion entre deux bornes.** Court-circuiter les bornes du pack-batteries peut provoquer des brûlures ou un incendie.
- d. **Dans des conditions inappropriées, la batterie peut rejeter du liquide. Évitez le contact. Si un contact accidentel se produit, rincez à l'eau. Si le liquide touche les yeux, consultez un médecin.** Le liquide rejeté par la pile peut causer une irritation cutanée ou des brûlures.
- e. **N'utilisez pas un bloc-batterie ou un outil endommagé ou modifié.** Une batterie endommagée ou altérée peut avoir un comportement imprévisible qui peut conduire à un incendie, une explosion ou un risque de blessure.
- f. **N'exposez pas le bloc-batterie ou l'outil au feu ou à des températures**

**excessives.** L'exposition au feu ou à des températures dépassant 130 °C peut provoquer une explosion.

- g. **Respectez les instructions de charge et ne rechargez pas le bloc-batterie ou l'outil à une plage de températures hors de celle spécifiée dans les instructions.** Une charge mal effectuée ou à des températures hors de la plage spécifiée peut endommager la batterie et augmente le risque d'incendie.

## 6. Réparations

- a. **Faites réparer votre outil électroportatif uniquement par du personnel qualifié et seulement avec des pièces de rechange d'origine.** Cela garantira le maintien de la sécurité de votre outil.
- b. **Ne réparez jamais des blocs-batteries endommagés.** Les réparations sur les blocs-batteries ne doivent être effectuées que le fabricant ou l'un de ses prestataires de services agréés.

## Avertissements de sécurité additionnels pour les outils électriques



**Attention !** Avertissements de sécurité supplémentaires pour les taille-haies

- ◆ **Maintenez toutes les parties du corps à l'écart de la lame de coupe. Ne retirez pas le matériau coupé et ne tenez pas le matériau à couper si**

**les lames sont en mouvement.**

**Assurez-vous que l'interrupteur est coupé lorsque vous dégagez du matériau bloqué.** Un moment d'inattention lors de l'utilisation du taille-haies peut entraîner de graves blessures.

- ◆ **Transportez le taille-haies par sa poignée avec la lame de coupe bloquée. Pour transporter ou ranger le taille-haies, installez toujours le cache du dispositif de coupe.** Une manutention appropriée du taille-haies devrait réduire les blessures potentielles occasionnées par les lames de coupe.
- ◆ **Maintenez les câbles écartés de la zone de coupe.** Pendant le fonctionnement, le câble peut être caché dans les arbustes et être coupé accidentellement.
- ◆ **Tenez l'outil électrique uniquement par les surfaces isolées des poignées. En effet, la lame de coupe peut entrer en contact avec un câble caché.** Le contact des lames de coupe avec un câble sous tension met les parties métalliques de l'outil électrique sous tension et peut électrocuter l'utilisateur.
- ◆ L'utilisation prévue de l'outil est décrite dans le présent manuel. L'utilisation d'accessoires ou la réalisation d'opérations avec cet outil autres que ceux recommandés dans le présent manuel peut entraîner un risque de blessure ou de dégâts.
- ◆ Si vous n'avez jamais utilisé de taille-haies, demandez de préférence à un utilisateur expérimenté de vous donner des instructions pratiques et étudiez également ce manuel.
- ◆ Ne touchez jamais les lames lorsque l'outil fonctionne.
- ◆ Ne tentez jamais de forcer sur les lames pour qu'elles s'arrêtent.
- ◆ Ne posez pas l'outil avant que les lames ne se soient complètement arrêtées.
- ◆ Vérifiez régulièrement si les lames ne sont pas endommagées ou usées. N'utilisez pas l'outil lorsque les lames sont endommagées.
- ◆ Veillez à éviter les objets durs (par ex. fil de fer, clôtures) lorsque vous procédez à la taille. Si vous heurtez accidentellement un tel objet, éteignez immédiatement l'outil et assurez-vous de l'absence de dommage.
- ◆ Si l'outil commence à vibrer anormalement, arrêtez-le immédiatement et assurez-vous de l'absence de dommage.
- ◆ Si l'outil cale, éteignez-le immédiatement.
- ◆ Après utilisation, placez l'étui de protection fourni sur les lames. Rangez l'outil et veillez à ce que la lame ne soit pas découverte.
- ◆ Assurez-vous toujours que les protections sont toutes installées lorsque vous utilisez l'outil. N'utilisez pas un outil incomplet ou modifié de façon non autorisée.

- ◆ Ne permettez pas aux enfants d'utiliser l'outil.
- ◆ Faites attention à la chute de débris lorsque vous taillez les côtés les plus hauts d'une haie.

## Avertissements de sécurité additionnels pour les outils électriques



**Attention !** Avertissements de sécurité supplémentaires pour les cisailleuses

- ◆ Ne laissez jamais aucun enfant ou aucune personne non familiarisée avec ces instructions utiliser cette machine. Les réglementations locales peuvent limiter l'âge de l'utilisateur.
- ◆ Souvenez-vous que l'utilisateur est responsable de tout accident ou dommage subi par des tiers ou par des biens appartenant à des tiers.
- ◆ N'utilisez pas la machine à proximité d'autres personnes, spécialement d'enfants ou d'animaux domestiques.
- ◆ Utilisez la machine uniquement à la lumière du jour ou sous un éclairage artificiel efficace.
- ◆ Vérifiez toujours que les orifices de ventilation sont bien débarrassés de tous débris.
- ◆ Utilisez uniquement les accessoires et pièces de rechange recommandés par le fabricant.
- ◆ Inspectez et entretenez régulièrement la machine. Faites réparer la machine uniquement par un réparateur agréé.

## Sécurité des personnes

- ◆ Cet appareil peut être utilisé par des enfants âgés de 8 ans ou plus et des personnes ayant des déficiences physiques, mentales ou sensorielles. Cette consigne s'applique aux personnes ayant reçu les instructions appropriées d'utilisation fiable et ayant connaissance des dangers existants.
- ◆ Ne laissez pas les enfants jouer avec l'appareil. Les enfants ne peuvent en aucun cas assurer le nettoyage et la maintenance sans surveillance.

## Vibration

Les valeurs des émissions de vibrations mentionnées dans les données techniques et la déclaration de conformité ont été mesurées conformément à la méthode de test normalisée indiquée par EN 60745 et permettent les comparaisons entre outils. Les valeurs des émissions de vibrations peuvent également servir à une évaluation préliminaire de l'exposition.

**Attention !** Les valeurs des émissions de vibrations en utilisant réellement l'outil peuvent différer des valeurs déclarées en fonction du mode d'usage de l'outil. Le niveau de vibration peut dépasser le niveau indiqué.

Pour évaluer l'exposition aux vibrations afin de déterminer les mesures de sécurité imposées par 2002/44/CE pour protéger les personnes utilisant régulièrement des outils électriques, une

estimation de l'exposition aux vibrations devrait prendre en compte les conditions réelles et le mode d'utilisation de l'outil, notamment l'ensemble du cycle de fonctionnement ainsi l'arrêt de l'outil et son fonctionnement au ralenti, outre le démarrage.

## Étiquettes apposées sur l'outil

Les pictogrammes suivants ainsi que le code de date sont indiqués sur l'outil:



**Attention !** Afin de réduire les risques de blessures, l'utilisateur doit lire le manuel d'instructions.



Portez des lunettes de sécurité lorsque vous utilisez cet outil.



N'exposez pas l'outil à la pluie ou à l'humidité.



Attention aux lames tranchantes. Les lames continuent de tourner une fois le moteur arrêté.



Attention aux projections d'objets. Éloignez les personnes se trouvant à proximité.



Appareil de classe III.



Puissance sonore garantie conforme à la Directive 2000/14/ CE.

## Instructions de sécurité supplémentaires pour les batteries et chargeurs

## Batteries

- ◆ Ne tentez jamais d'ouvrir pour quelque raison que ce soit.
- ◆ N'exposez pas la batterie à l'humidité.
- ◆ Ne rangez pas dans des endroits dont la température peut dépasser 40 °C.
- ◆ Chargez uniquement à une température ambiante entre 10 °C et 40 °C.
- ◆ Chargez uniquement avec le chargeur fourni avec l'appareil/ l'outil. L'utilisation d'un chargeur incorrect peut générer un choc électrique voire une surchauffe de la batterie.
- ◆ Pour la mise au rebut des batteries, suivez les instructions de la section « Protection de l'environnement ».
- ◆ N'endommagez et ne déformez pas la batterie (piqûre ou impact). Vous pourriez créer un risque de blessure ou d'incendie.
- ◆ Ne chargez pas les batteries endommagées.
- ◆ Dans des conditions extrêmes, une batterie peut fuir. Si vous remarquez du liquide sur les batteries, essuyez-le soigneusement à l'aide d'un chiffon. Évitez le contact avec la peau.
- ◆ En cas de contact avec la peau ou les yeux, suivez les instructions ci-dessous.

**Attention !** Le liquide de batterie peut causer des blessures ou des dégâts. En cas de contact avec la peau, rincez abondamment à l'eau. En présence de rougeurs, douleurs ou irritations, consultez un médecin. En cas de contact



avec les yeux, rincez-les immédiatement à l'eau claire et consultez un médecin.

## Chargeurs

Votre chargeur a été conçu pour une tension spécifique. Vérifiez toujours que la tension du secteur correspond à celle indiquée sur la plaque d'identification.

**Attention !** Ne tentez jamais de remplacer le chargeur par une prise secteur normale.

- ◆ Utilisez uniquement votre chargeur BLACK+DECKER pour charger la batterie fournie avec votre outil ou de même type et modèle. D'autres batteries pourraient exploser et causer des dommages ou blessures.
- ◆ Ne tentez jamais de charger des batteries non rechargeables.
- ◆ Si le câble d'alimentation est endommagé, il doit être remplacé par le fabricant ou par un centre de réparation agréé BLACK+DECKER afin d'éviter tout accident.
- ◆ Ne mettez pas le chargeur en contact avec de l'eau.
- ◆ N'ouvrez pas le chargeur.
- ◆ Ne testez pas le chargeur.
- ◆ Pendant la charge, l'appareil/outil/batterie doit être placé dans une zone bien ventilée.



Portez des lunettes de sécurité lorsque vous utilisez cet outil.



N'exposez pas l'outil à la pluie ou à l'humidité.

## Sécurité électrique



Votre chargeur est doublement isolé ; par conséquent, aucun câble de masse n'est nécessaire. Vérifiez toujours que la tension du secteur correspond à la tension indiquée sur la plaque d'identification.

- ◆ Si le câble d'alimentation est endommagé, il doit être remplacé par le fabricant ou par un centre de réparation agréé BLACK+DECKER afin d'éviter tout accident.
- ◆ Attention ! Ne tentez jamais de remplacer le chargeur par une prise au secteur normale.

## Caractéristiques

1. Interrupteur marche/arrêt
2. Bouton de blocage
3. Bouton de déblocage de lame
4. Lame de cisailleuse (GSL200/GSL360/GSL700)
5. Lame de débroussailleuse (GSL300/GSL360/GSL700)
6. Témoin de charge

## Montage

**Attention !** Faites attention de ne pas démarrer l'outil de façon accidentelle pendant l'assemblage.

### Mise en place du support mural sur le mur (fig. A & B)

Le support mural peut être fixé au mur pour offrir un rangement pratique de l'outil ainsi qu'un point de charge.

- ◆ Vissez les vis dans le mur à travers les orifices des renforcements du support mural.
- ◆ Placez l'outil sur le support mural.
- ◆ Branchez le chargeur en vous assurant que le témoin de charge (6) s'allume (fig. A).
- ◆ Si nécessaire, utilisez les deux taquets (7) sous le support mural pour ranger la lame de recharge (fig. B).

**Attention !** Évitez d'endommager le cordon en montant le support mural au mur.



## Retrait de la prise du chargeur hors du support mural (fig. C)

L'outil peut être chargé sans utiliser le support mural. Vous pouvez brancher directement la prise du chargeur à l'outil.

- ◆ Retirez les vis sur l'arrière du support mural.
- ◆ Glissez la partie arrière (8) hors de la partie avant (9) pour ouvrir le support mural.
- ◆ Retirez la prise du chargeur hors du support mural.

## Mise en place et retrait de la lame (fig. D & E)

La lame de cisailleuse (4) a été conçue pour tailler l'herbe et les mauvaises herbes. La lame de débroussailluse (5) a été conçue pour tailler les haies et les arbustes.

- ◆ Retirez le protège-lame.
- ◆ Appuyez sur le bouton de déblocage (3) dans le sens de la flèche (fig. D1) sans le relâcher.
- ◆ Glissez le protège-lame (10) en avant et levez-le (fig. D2).
- ◆ Abaissez la lame sur les broches.
- ◆ Tout en maintenant la lame sur les goupilles (fig. E1), replacez le protège-lame (10) et glissez-le en avant (fig. E2).

**Remarque :** aucun alignement de la lame avec la goupille d'entraînement n'est nécessaire de même qu'il est inutile d'actionner le bouton de déblocage du protège-lame pour replacer le protège-lame.

## Utilisation

**Attention !** Laissez l'outil fonctionner à sa propre vitesse. Ne le surchargez pas.

## Chargement de la batterie

La batterie a besoin d'être chargée avant la première utilisation et à chaque fois qu'elle ne produit pas une puissance suffisante pour des travaux facilement effectués auparavant. Lorsque vous chargez la batterie pour la première fois ou suite à une inutilisation prolongée, le chargement ne se fera qu'à 80%. Après plusieurs cycles de chargement et de déchargement, la batterie atteindra sa capacité totale. La batterie peut chauffer pendant le chargement ; cela est normal et n'indique pas de problème particulier.

**Attention !** Ne chargez pas la batterie à une température ambiante inférieure à 10 °C ou supérieure à 40 °C.  
Température de chargement recommandée : environ 24 °C.

Vous pouvez laisser l'outil branché au chargeur indéfiniment. Pour maximiser la durée de vie de la batterie, il est recommandé de la maintenir connectée au chargeur dès lors que l'outil n'est pas utilisé.

Lorsque la batterie est chargée, la consommation électrique du chargeur est négligeable.

## Charge avec le support mural (fig. F)

- ◆ Placez l'outil sur le support mural (11).
- ◆ Branchez le chargeur.

## Charge avec la prise de chargeur (fig. G)

La prise de chargeur comporte des blocages de sécurité afin d'empêcher l'usage d'un chargeur incorrect.

- ◆ Insérez la prise du chargeur (12) dans le connecteur à l'arrière de l'outil.
- ◆ Branchez le chargeur.

## GSL200/GSL300/GSL360 - Charge de la batterie

- ◆ Chargez la batterie.

Le témoin de charge (6) s'allume lorsque la batterie est en charge. Le témoin de charge s'éteint une fois la charge terminée.

## GSL700 - Charge de la batterie

- ◆ Chargez la batterie.

Le témoin de charge (6) clignote lorsque la batterie est en charge. Le témoin de charge arrête de clignoter une fois la charge terminée. Le témoin de charge clignote rapidement pour indiquer un problème de charge. En cas de problème de charge, branchez l'outil directement à la prise du chargeur en retirant le support mural. En cas de problème de charge, débranchez le chargeur du secteur puis apportez-le à un centre d'entretien agréé pour réparation.

## Démarrage et arrêt (fig. H)

### Mise sous tension

- ◆ Poussez sans le relâcher le bouton de déblocage (2) vers la droite ou la gauche puis appuyez sur l'interrupteur marche/arrêt (1).
- ◆ Relâchez le bouton de déblocage.

### Mise hors tension

- ◆ Relâchez l'interrupteur marche/arrêt (1).

**Attention !** N'essayez jamais de bloquer l'interrupteur sur la position marche.

## Conseils pour une utilisation optimale (fig. I & J)

- ◆ Vaporiser la lame avec une légère couche d'huile usage général, léger avant la première utilisation et chaque fois que les lames commencent à regarder à sec.

## Taille de l'herbe

- ◆ Pour des résultats de coupe optimaux, coupez uniquement de l'herbe sèche.
- ◆ Tenez l'outil comme indiqué sur la fig. I1 & I2. Tenez vos mains éloignées de la lame. Maintenez une position de travail stable afin de ne pas glisser. Ne vous penchez pas trop.

- ◆ Lorsque vous coupez des herbes hautes, travaillez par étapes en commençant par le haut. Procédez par petites coupes.
- ◆ Veillez à ne pas approcher l'outil des objets durs et des plantes délicates.
- ◆ Si l'outil commence à fonctionner lentement, réduisez la charge.
- ◆ Pour une coupe plus nette, inclinez légèrement l'outil

- ◆ Ouvrez régulièrement le mandrin (le cas échéant) et tapotez dessus pour retirer toute poussière à l'intérieur.
- ◆ Après utilisation, nettoyez soigneusement les lames. Après les avoir nettoyées, appliquez une fine couche d'huile de machine pour éviter qu'elles ne rouillent.

## Rangement

Si l'outil ne doit pas être utilisé pendant plusieurs mois, l'idéal serait de laisser la batterie connectée au chargeur.

Sinon, procédez comme suit:

- ◆ Chargez complètement la batterie.
- ◆ Rangez l'outil dans un endroit sûr et sec. La température dans l'endroit de stockage devra être maintenue entre +5 °C et +40 °C.
- ◆ Avant d'utiliser l'outil après une inutilisation prolongée, rechargez complètement la batterie.

## Protection de l'environnement



Tri sélectif. Les produits et batteries marqués de ce symbole ne doivent pas être jetés avec les déchets ménagers.

Les produits et batteries contiennent des matières qui peuvent être récupérées et recyclées afin de réduire la demande en matières premières. Veuillez recycler les produits électriques et les batteries conformément aux dispositions locales en vigueur. Pour plus d'informations, consultez le site [www.2helpU.com](http://www.2helpU.com)

## Caractéristiques techniques

		GSL200 (H1)	GSL300 (H1)
Tension	V <sub>DC</sub>	3.6	3.6
Courses des lames (sans charge)	min <sup>1</sup>	850	850
Longueur de lame (cisailleuse)	cm	10	-
Écart de lame (cisailleuse)	mm	23	-
Longueur de lame (débroussailluse)	cm	-	15
Écart de lame (débroussailluse)	mm	-	8
Délai d'arrêt des lames	s	< 1	< 1
Poids	kg	0.65	0.65

## Taille des haies

- ◆ Inclinez légèrement l'outil (jusqu'à 15° par rapport à la ligne de coupe) afin que l'extrémité des lames pointent légèrement vers la haie (fig. J1). Les lames pourront ainsi couper de façon plus efficace.
- ◆ Commencez par tailler le haut de la haie. Tenez l'outil à l'angle désiré et déplacez-le régulièrement le long de la ligne de coupe (fig. J2). La lame à double tranchant vous permet de couper dans les deux sens.
- ◆ Afin d'obtenir une coupe très droite, tendez un bout de ficelle sur la longueur de la haie à la hauteur désirée. Utilisez la ficelle comme guide et coupez juste au-dessus d'elle.
- ◆ Pour obtenir des côtés plats, coupez la végétation de bas en haut. Les tiges plus jeunes sont dirigées vers l'extérieur alors que la lame coupe de haut en bas, ce qui produit des trous sur la surface de la haie.
- ◆ Veillez à éviter tout corps étranger. Evitez en particulier tout objet dur tel que le fil de fer et les clôtures qui pourraient endommager les lames.
- ◆ Graissez régulièrement les lames.

## Entretien

Votre appareil/outil BLACK+DECKER avec/sans fil a été conçu pour fonctionner pendant longtemps avec un minimum d'entretien. Un fonctionnement continu satisfaisant dépend d'un nettoyage régulier et d'un entretien approprié de l'outil.

**Attention !** Avant toute activité d'entretien sur les outils électriques avec/sans fil:

- ◆ Eteignez et débranchez l'appareil/l'outil.
- ◆ Ou coupez et retirez la batterie de l'appareil/outil s'il comporte un pack-batterie séparé.
- ◆ Voir épuisez complètement la batterie si elle est intégrée puis mettez hors tension.
- ◆ Débranchez le chargeur avant de le nettoyer. Votre chargeur ne nécessite aucun autre entretien qu'un nettoyage régulier.
- ◆ Nettoyez régulièrement les fentes de ventilation de votre outil/appareil/chargeur à l'aide d'une brosse douce ou d'un chiffon sec.
- ◆ Nettoyez régulièrement le carter moteur à l'aide d'un chiffon humide. N'utilisez pas de produit abrasif ou à base de solvant.

		GSL360 (H1)	GSL700 (H1)
Tension	V <sub>DC</sub>	3.6	7.0
Courses des lames (sans charge)	min <sup>-1</sup>	850	850
Longueur de lame (cisail-leuse)	cm	10	10
Écart de lame (cisailleuse)	mm	23	23
Longueur de lame (dé-broussailleuse)	cm	15	15
Écart de lame (débrous-sailleuse)	mm	8	8
Délai d'arrêt des lames	s	< 1	< 1
Poids	kg	0.65	0.65

Pour plus de détails, veuillez contacter Black & Decker à l'adresse suivante ou consultez la dernière page du manuel.

Le soussigné est responsable de la compilation du fichier technique et effectue cette déclaration au nom de Black & Decker.



R. Laverick  
Engineering Director  
Black & Decker Europe, 210 Bath Road, Slough,  
Berkshire, SL1 3YD  
Royaume Uni  
24/07/2018

### Garantie

Black & Decker assure la qualité de ses produits et offre une garantie\* de 24 mois aux utilisateurs, à partir de la date d'achat. Cette garantie s'ajoute à vos droits légaux auxquels elle ne porte aucunement préjudice. Cette garantie est valable au sein des territoires des États membres de l'Union Européenne et au sein de la Zone européenne de libre-échange.

Pour prétendre à la garantie, la réclamation doit être en conformité avec les conditions générales de Black & Decker et vous devez fournir une preuve d'achat au vendeur ou au réparateur agréé. Les conditions générales de la garantie de 2 ans Black&Decker ainsi que l'adresse du réparateur agréé le plus proche sont disponibles sur le site Internet [www.2helpU.com](http://www.2helpU.com) ou en contactant votre agence Black & Decker locale à l'adresse indiquée dans ce manuel.

Veuillez consulter notre site Internet [www.blackanddecker.co.uk](http://www.blackanddecker.co.uk) pour enregistrer votre nouveau produit Black & Decker et pour être tenu informé des nouveaux produits et offres spéciales.

Chargeur		905450xx	905527xx 9062xxxx
Tension secteur	V <sub>AC</sub>	230	230
Tension de sortie	V <sub>DC</sub>	9	10
Ampérage	mA	100	120
Temps de chargement approx	h	19	14
Poids	kg	0.15	0.15

Niveau de pression sonore selon la norme EN 60745 :	
Pression acoustique (L <sub>pa</sub> )	66 dB(A), incertitude (K) 3 dB(A)
Puissance acoustique (L <sub>wa</sub> )	77 dB(A), incertitude (K) 3 dB(A)

Valeurs totales des vibrations (somme vectorielle triaxiale) selon la norme EN 60745 :	
Valeur d'émissions de vibrations (a <sub>v</sub> )	3.1 m/s <sup>2</sup> , incertitude (K) 1.5 m/s <sup>2</sup>

## Déclaration de conformité CE

DIRECTIVE MACHINES  
DIRECTIVE BRUIT DANS L'ENVIRONNEMENT



Cisaille/taille-haie GSL200/GSL300/GSL360/GSL70

déclare que ces produits décrits sous les  
"caractéristiques techniques" sont conformes avec:  
EN60745-1:2009+A11:2010, EN60745-2-15:2009+A1:2010

2000/14/EC, Trimmer, Annex V

Niveau de pression acoustique conforme à la norme (5)

2000/14/EC (Article 13):

L<sub>WA</sub> (pression sonore mesurée) 77 dB(A)

L<sub>WA</sub> (pression sonore garantie) 87 dB(A)

Ces produits sont conformes aux normes  
2006/42/EC, 2014/30/UE et 2011/65/UE.

## Uso previsto

Il vostro tosaerba/potatore BLACK+DECKER™ GSL200, GSL300, GSL360, GSL700 è stato progettato per il taglio di erba, siepi, cespugli e rovi. Questo elettroutensile è destinato solo all'uso privato.

Il vostro caricabatteria BLACK+DECKER è stato progettato per caricare batterie BLACK+DECKER del tipo fornito con questoutensile.

## Precauzioni di sicurezza

### Avvisi generali di sicurezza per l'elettroutensile



**Attenzione! Leggere tutti gli avvisi e le istruzioni di sicurezza.**

La mancata osservanza dei seguenti avvisi e istruzioni potrebbe causare scosse elettriche, incendi e/o infortuni gravi.

**Conservare tutte gli avvisi e le istruzioni per consultazioni future.** Il termine "elettroutensile" che ricorre in tutte le seguenti avvertenze si riferisce ad utensili elettrici con o senza filo.

#### 1. Sicurezza dell'area di lavoro

##### a. Mantenere pulita e bene illuminata l'area di lavoro.

Il disordine o la scarsa illuminazione possono causare incidenti.

##### b. Evitare d'impiegare gli

**elettroutensili in ambienti esposti al rischio di esplosione, ad esempio in presenza di liquidi, gas o polveri infiammabili.** Gli elettroutensili producono scintille che possono far infiammare la polvere o i fumi.

##### c. Mantenere lontani bambini ed astanti mentre si usa

**l'elettroutensile.** Eventuali distrazioni possono comportare la perdita del controllo dell'elettroutensile.

#### 2. Sicurezza elettrica

##### a. La spina elettrica deve essere adatta alla presa. Evitare

**assolutamente di alterare la spina. Non impiegare spine adattatrici con elettroutensili provvisti di messa a terra.** L'uso di spine inalterate e corrispondenti alle prese della rete domestica riduce il rischio di scosse elettriche.

**b. Evitare il contatto fisico con superfici collegate a terra, come tubi, radiatori, forni e frigoriferi.** Un corpo collegato a terra è esposto maggiormente al rischio di scosse elettriche.

##### c. Custodire gli elettroutensili al riparo dalla pioggia o dall'umidità.

L'eventuale infiltrazione di acqua in un elettroutensile aumenta il rischio di scosse elettriche.

**d. Non esporre il cavo a sollecitazioni. Non usare il cavo per trasportare o trainare l'elettroutensile e non tirarlo per estrarre la spina dalla presa di corrente. Mantenere il cavo a distanza da fonti di calore, olio, bordi taglienti e/o parti in movimento.** I cavi elettrici danneggiati o aggrovigliati aumentano il rischio di scosse elettriche.

**e. Se l'elettrotensile viene adoperato all'aperto, usare esclusivamente prolunghe omologate per l'impiego all'esterno.** Un cavo adatto per impieghi all'esterno riduce il rischio di scosse elettriche.

**f. Se l'uso di un elettrotensile in un ambiente umido è inevitabile, utilizzare una fonte di alimentazione dotata di un dispositivo di protezione da correnti residue (RCD).** L'uso di un RCD riduce il rischio di scosse elettriche.

### **3. Sicurezza delle persone**

**a. È importante concentrarsi su ciò che si sta facendo e maneggiare con giudizio l'elettrotensile. Non adoperare l'elettrotensile se si è stanchi o sotto l'effetto di stupefacenti, alcol o medicinali.** Un attimo di distrazione durante l'uso dell'elettrotensile può causare gravi infortuni personali.

**b. Indossare un equipaggiamento protettivo. Utilizzare sempre occhiali protettivi di sicurezza.** Indossando un equipaggiamento protettivo, ad esempio: maschera antipolvere, calzature di sicurezza con suola antiscivolo, casco e protezioni per l'udito, in condizioni adeguate, si riduce il rischio di lesioni personali.

**c. Evitare l'accensione involontaria dell'elettrotensile. Verificare che l'interruttore di accensione sia posizionato su off prima di collegare il cavo di alimentazione o**

**la batteria, di sollevare o trasportare l'elettrotensile.** Trasportare gli elettrotensili con il dito sull'interruttore di accensione o collegare all'alimentazione elettrotensili con l'interruttore posizionato su on, favorisce il verificarsi di incidenti.

**d. Prima di accendere un elettrotensile, togliere eventuali chiavi o attrezzi di regolazione.** Un attrezzo o una chiave lasciati in un componente mobile dell'elettrotensile possono causare lesioni.

**e. Non sporgersi. Mantenere sempre un buon equilibrio evitando posizioni malsicure.** In questo modo è possibile controllare meglio l'elettrotensile in situazioni inaspettate.

**f. Vestirsi adeguatamente. Evitare di indossare indumenti larghi o gioielli. Tenere capelli, vestiti e guanti lontani dalle parti in movimento.** Vestiti larghi, gioielli o capelli lunghi possono impigliarsi nei componenti in movimento.

**g. Se gli elettrotensili sono provvisti di attacchi per la connessione di dispositivi di aspirazione o raccolta della polvere, assicurarsi che questi siano installati e utilizzati correttamente.** L'uso di un dispositivo di aspirazione può ridurre i rischi correlati alle polveri.

**h. Non lasciare che la familiarità acquisita dall'uso frequente degli utensili induca a cedere alla tentazione di ignorare i principi di**

**utilizzo sicuro degli stessi.**

Un'azione imprudente potrebbe provocare lesioni gravi in una frazione di secondo.

**4. Uso e cura degli elettroutensili****a. Non sovraccaricare l'elettroutensile.**

**Usare un elettroutensile idoneo al lavoro da eseguire.** Un elettroutensile appropriato permetterà una migliore e più sicura lavorazione alla potenza nominale prevista.

**b. Non utilizzare elettroutensili con interruttori difettosi.**

Un elettroutensile che non può essere controllato mediante l'interruttore è pericoloso e deve essere riparato.

**c. Scollegare la spina dalla presa e/o estrarre la batteria**

**dall'elettroutensile prima di eseguire regolazioni, di sostituire gli accessori o di riporre l'elettroutensile.** Queste precauzioni riducono le possibilità che l'elettroutensile venga messo in funzione accidentalmente.

**d. Quando non vengono usati, gli elettroutensili devono essere custoditi fuori della portata dei bambini. Non consentire l'uso dell'elettroutensile a persone inesperte o che non abbiano letto le presenti istruzioni.** Gli elettroutensili risultano pericolosi se usati da persone inesperte.**e. Sottoporre gli elettroutensili alle procedure di manutenzione del caso. Verificare che le parti mobili**

**siano bene allineate e non inceppate, che non vi siano componenti rotti e che non sussistano altre condizioni che possano compromettere il funzionamento dell'elettroutensile.**

**In caso di danni, riparare l'elettroutensile prima dell'uso.** La scarsa manutenzione causa molti incidenti.

**f. Mantenere affilati e puliti gli utensili da taglio.** Se sottoposti alla corretta manutenzione, gli utensili da taglio con taglienti affilati s'inceppano meno frequentemente e sono più facili da manovrare.**g. Utilizzare l'elettroutensile, gli accessori, le punte ecc. in conformità alle presenti istruzioni, tenendo conto delle condizioni lavorative e del tipo di lavoro da eseguire.** L'impiego degli elettroutensili per usi diversi da quelli previsti può dar luogo a situazioni di pericolo.**h. Mantenere le impugnature e le superfici di presa asciutte, pulite e senza tracce di olio o grasso.** Impugnature e superfici di presa scivolose non consentono di maneggiare e controllare in modo sicuro l'utensile nel caso di imprevisti.**5. Uso e cura degli utensili a batteria****a. Ricaricare la batteria esclusivamente con il caricabatterie specificato dal fabbricante.** Un caricabatterie adatto per un tipo di

batteria può esporre al rischio d'incendio se usato con una batteria diversa.

- b. Utilizzare gli elettroutensili solo con le batterie indicate.** L'uso di batterie diverse può esporre al rischio di infortuni e incendi.
- c. Quando non è in uso, la batteria deve essere conservata lontana da oggetti metallici come graffette, monete, chiavi, chiodi, viti o altre minuterie in metallo che possono creare contatto tra i poli.** Il cortocircuito dei poli di una batteria può causare ustioni o incendi.
- d. In condizioni di sovraccarico, le pile possono perdere liquido: evitare di toccarlo. In caso di contatto accidentale, sciacquare con acqua. Se il liquido entra a contatto con gli occhi, rivolgersi ad un medico.**  
Il liquido che fuoriesce dalla pila può causare irritazioni o ustioni.
- e. Non utilizzare una batteria o un utensile danneggiati o modificati.** Le batterie danneggiate o modificate potrebbero manifestare un comportamento imprevedibile con la possibilità di causare un'esplosione o un incendio.
- f. Non esporre una batteria o un utensile al fuoco o a temperature eccessivamente elevate.**  
L'esposizione al fuoco o a una temperatura superiore a 130°C potrebbe provocare un'esplosione.
- g. Seguire tutte le istruzioni per la carica e non caricare la batteria o**

**l'elettroutensile a una temperatura che non rientri nell'intervallo di valori specificato nelle istruzioni.**

Una ricarica effettuata in maniera scorretta o a una temperatura che non rientra nell'intervallo di valori specificato, potrebbe danneggiare la batteria aumentando il rischio d'incendi

## 6. Riparazioni

- a. Fare riparare l'elettroutensile solo ed esclusivamente da personale specializzato e solo impiegando pezzi di ricambio originali.** Ciò permetterà di conservare le condizioni di sicurezza dell'elettroutensile.
- b. Non riparare le batterie danneggiate.** Gli interventi di riparazione sulle batterie devono essere eseguiti dal costruttore o da fornitori di assistenza autorizzati.

## Ulteriori avvisi di sicurezza per l'elettroutensile



**Attenzione!** Ulteriori avvisi di sicurezza pertagliasiepi

- ♦ **Tenere tutte le parti del corpo distanti dalla lama da taglio. Non rimuovere il materiale tagliato o il materiale fissato da tagliare quando le lame sono in movimento. Verificare che l'interruttore sia su off per eliminare l'eventuale materiale inceppato.** Un attimo di distrazione durante l'uso del tagliasiepi può causare gravi infortuni personali.



- ◆ **Trasportare il tagliasiepi per l'impugnatura con le lame da taglio bloccate. Per trasportare o riporre il tagliasiepi, inserire sempre la copertura del dispositivo di taglio.** Maneggiando correttamente il tagliasiepi si riduce la possibilità di lesioni personali dovute alle lame da taglio.
- ◆ **Mantenere il cavo distante dall'area di taglio.** Durante il funzionamento, il cavo potrebbe essere nascosto dai cespugli ed essere tagliato accidentalmente dalla lama.
- ◆ **Sostenere l'elettro utensile esclusivamente tramite le apposite impugnature isolanti, poiché la lama da taglio può entrare in contatto con un cavo nascosto.** Il contatto delle lame da taglio con una "linea sotto tensione", può sottoporre a tensione le parti metalliche esposte dell'elettro utensile e provocare una scossa elettrica.
- ◆ L'utilizzo previsto è quello indicato nel presente manuale. L'utilizzo di qualsiasi accessorio o attrezzatura o l'uso del presente utensile per scopi diversi da quelli consigliati nel presente manuale di istruzioni potrebbero comportare il rischio di infortuni e/o danni alle proprietà.
- ◆ Se non si è pratici di tagliasiepi, oltre a studiare questo manuale è consigliabile chiedere istruzioni pratiche ad un esperto.
- ◆ Non toccare mai le lame mentre l'utensile è in funzione.
- ◆ Non cercare mai di fermare le lame.
- ◆ Non lasciare per terra l'utensile finché le lame non si sono completamente fermate.
- ◆ Controllare regolarmente che le lame non siano danneggiate o usurate. Non usare l'utensile se le lame sono danneggiate.
- ◆ Fare attenzione a non toccare oggetti duri (ad es. fili metallici, ringhiere) durante il taglio. Nel caso in cui si colpisca accidentalmente un oggetto di questo tipo, spegnere immediatamente l'utensile per verificare che non abbia subito danni.
- ◆ Se l'utensile comincia a vibrare in modo anomalo, spegnerlo immediatamente per verificare la presenza di eventuali danni.
- ◆ Se l'utensile si blocca, spegnerlo immediatamente.
- ◆ Dopo l'uso, coprire le lame con la guaina in dotazione. Conservare l'utensile assicurandosi che la lama non sia esposta.
- ◆ Quando si usa l'utensile, verificare sempre che siano montate tutte le protezioni. Non tentare mai di utilizzare un utensile privo di alcuni componenti o che sia stato sottoposto a modifiche non autorizzate.
- ◆ Vietare ai bambini l'uso dell'utensile.
- ◆ Attenzione alla caduta di detriti che si verifica quando si potano i lati alti di una siepe.



## Ulteriori avvisi di sicurezza per l'elettrotensile



**Attenzione!** Ulteriori avvisi di sicurezza per tagliaerba

- ◆ Vietare l'uso della macchina ai bambini e agli adulti che non abbiano letto il presente manuale d'istruzioni. Le normative locali possono prevedere dei limiti d'età per l'operatore.
- ◆ Tenere presente che l'operatore o l'utente sono responsabili di eventuali incidenti e/o rischi all'incolumità di altre persone o dei loro beni.
- ◆ Non utilizzare mai la macchina se nelle vicinanze ci sono persone, soprattutto bambini, o animali.
- ◆ Adoperarla solo alla luce naturale oppure con una buona illuminazione artificiale.
- ◆ Controllare sempre che le aperture di ventilazione siano sgombre da detriti.
- ◆ Usare esclusivamente pezzi di ricambio e accessori raccomandati dal fabbricante.
- ◆ Ispezionare la macchina e sottoporla regolarmente a manutenzione. Far riparare la macchina esclusivamente da un centro assistenza autorizzato.

## Sicurezza altrui

- ◆ Questo apparato può essere usato da bambini dagli 8 anni in su e da persone con ridotte capacità fisiche, psichiche o sensoriali o che non ne abbiano esperienza o conoscenza, purché supervisionate o

opportunamente istruite all'uso sicuro dell'apparecchio e ne comprendano i pericoli derivanti.

- ◆ I bambini non devono giocare con l'elettrodomestico. Gli interventi di pulizia e di manutenzione da parte dell'utente non devono essere eseguiti da bambini senza supervisione.

## Vibrazioni

I valori delle vibrazioni dichiarati nei dati tecnici e nella dichiarazione di conformità sono stati misurati in conformità ai metodi di test standard descritti in: EN 60745 e possono essere utilizzati per comparare due elettrotensili. I valori di emissioni dichiarati possono essere usati anche per una valutazione preliminare dell'esposizione.

**Attenzione!** Il valore delle vibrazioni durante l'uso dell'elettrotensile può differire dai valori dichiarati a seconda del modo in cui viene usato l'elettrotensile. Il livello di vibrazioni può aumentare rispetto al livello nominale.

Quando si valuta l'esposizione alle vibrazioni e si stabiliscono le misure di sicurezza richieste dalla direttiva 2002/44/CE per proteggere il personale che utilizza regolarmente gli elettrotensili nello svolgimento delle proprie funzioni, considerare una stima dell'esposizione alle vibrazioni, le effettive condizioni d'uso e il modo in cui l'elettrotensile viene usato, analizzando tutte le parti del ciclo operativo, ovvero i

periodi in cui l'elettrotensile è spento o gira a vuoto, oltre al tempo in cui è in uso.

## Etichette sull'utensile

I seguenti pittogrammi insieme con il codice data vengono visualizzate sull'utensile:



**Attenzione!** Per ridurre il rischio di lesioni, l'utente è tenuto a leggere il presente manuale di istruzioni.



Indossare sempre occhiali di protezione quando si utilizza questo utensile.



Non esponete l'utensile alla pioggia od a condizioni di alta umidità.



Porre attenzione alle lame affilate. Le lame continuano a ruotare dopo lo spegnimento del motore.



Porre attenzione ad eventuali oggetti espulsi. Tenere gli astanti lontani dall'area di lavoro.



Apparecchio di classe III.



Pressione sonora garantita in base alla direttiva 2000/14/CE.

## Istruzioni supplementari sulla sicurezza per batterie e caricabatterie

## Batterie

- ◆ Non tentare mai di aprire le batterie, per nessuna ragione.
- ◆ Non esporre la batteria all'acqua.
- ◆ Non riporla in luoghi in cui la temperatura può superare 40 °C.
- ◆ Caricare le batterie solo a temperatura ambiente compresa tra 10 °C e 40 °C.
- ◆ Caricare la batteria solo usando il caricabatterie fornito con l'apparecchio/l'utensile. L'uso di un caricabatterie errato potrebbe causare scosse elettriche o il surriscaldamento della batteria.
- ◆ Per smaltire le batterie seguire le istruzioni riportate nel capitolo "Protezione dell'ambiente".
- ◆ Non danneggiare o deformare la batteria forandola o colpendola, in quanto ciò può esporre al rischio di infortuni e incendi.
- ◆ Non ricaricare batterie danneggiate.
- ◆ In condizioni estreme, la batteria può perdere liquido. Se si osserva del liquido sulle batterie asciugarlo con attenzione utilizzando un panno. Evitare il contatto con l'epidermide.
- ◆ In caso di contatto con l'epidermide o gli occhi, osservare le seguenti istruzioni.

**Attenzione!** Il fluido delle batterie può causare lesioni o danni agli oggetti. In caso di contatto con l'epidermide, sciacquare immediatamente con acqua. Se si verificano arrossamenti, dolore o irritazioni rivolgersi a un medico. In caso di contatto con gli occhi, sciacquare

immediatamente con acqua pulita e rivolgersi a un medico.

## Caricabatterie

Il caricabatterie è predisposto per essere alimentato con una specifica tensione. Controllare sempre che la tensione di alimentazione corrisponda a quella indicata sulla targhetta con i dati caratteristici.

**Attenzione!** Non cercare di utilizzare una normale presa di corrente al posto del caricabatterie.

- ◆ Usare il caricabatterie BLACK+DECKER soltanto per caricare le batterie fornite con l'utensile. Batterie di altro tipo possono esplodere, provocando danni a persone e cose.
- ◆ Non tentare mai di ricaricare una batteria non ricaricabile.
- ◆ Se il cavo elettrico in dotazione risulta danneggiato, deve essere sostituito dal produttore o da un Centro di assistenza autorizzato BLACK+DECKER, onde evitare rischi.
- ◆ Non esporre il caricabatterie all'acqua.
- ◆ Non aprire il caricabatterie.
- ◆ Non applicare i puntali di un multimetro sul caricabatterie.
- ◆ Durante la ricarica, l'apparecchio/ utensile/batteria devono essere collocati in un'area ben ventilata.



L'alimentatore può solo essere usato all'interno



Leggere il presente manuale d'uso prima dell'impiego.

## Sicurezza elettrica



Il caricabatterie è provvisto di doppio isolamento cherende superflua la messa a terra. Controllare che la tensione di alimentazione corrisponda a quella indicata sulla targhetta con i dati caratteristici.

- ◆ Se il cavo elettrico in dotazione risulta danneggiato, deve essere sostituito dal produttore o da un Centro di assistenza autorizzato BLACK+DECKER, onde evitare rischi.
- ◆ **Attenzione!** Non cercare di utilizzare una normale presa di corrente al posto del caricabatterie.

## Funzioni

1. Interruttore acceso/spento
2. Pulsante di sblocco
3. Pulsante di sgancio lama
4. Lama da taglio (GSL200/GSL360/GSL700)
5. Lama per potare (GSL300/GSL360/GSL700)
6. Indicatore di carica

## Montaggio

**Attenzione!** Evitare di accendere involontariamente l'utensile durante il montaggio.

### Fissaggio del supporto a muro alla parete (fig. A & B)

Il supporto a muro può essere fissata alla parete per offrire un comodo supporto per riporre e ricaricare l'utensile.

- ◆ Inserire le viti nella parete attraverso i fori presenti nelle fessure del supporto a muro.
- ◆ Collocare l'utensile nel supporto a muro a parete.
- ◆ Inserire la spina del caricabatterie nella presa verificando che l'indicatore di carica (6) si accenda (fig. A).
- ◆ Se necessario, utilizzare i due ganci (7) sotto il supporto a muro per riporre la lama di riserva (fig. B).

**Attenzione!** Evitare di danneggiare il cavo di alimentazione installando il supporto a muro a parete.

### Rimuovere il connettore del caricabatterie dal supporto a muro (fig. C)

E' possibile caricare l'utensile senza utilizzare il supporto a muro. E' possibile collegare il connettore del caricabatterie direttamente all'utensile.

- ◆ Rimuovere le viti dal retro del supporto a muro a parete.
- ◆ Estrarre la parte posteriore (8) dalla parte anteriore (9) per aprire il supporto a muro a parete.
- ◆ Rimuovere il connettore del caricabatterie dal supporto a muro a parete.

### Inserimento e rimozione della lama (fig. D & E)

La lama da taglio (4) è stata progettata per tagliare erba e erbacce. La lama per potare (5) è stata progettata per tagliare siepi e cespugli.

- ◆ Rimuovere il coperchio della lama.
- ◆ Tenere premuto il pulsante di rilascio della lama (3) in direzione della freccia (fig. D1).
- ◆ Far scorrere il coperchio della lama (10) all'indietro e toglierlo (fig. D2).
- ◆ Abbassare la lama sui perni.
- ◆ Mantenendo la lama sui perni (fig. E1), rimontare il coperchio della lama (10) e farlo scorrere in avanti (fig. E2).

**Nota:** Non è richiesto alcun allineamento della lama con il perno di guida né la pressione del pulsante di rilascio del coperchio della lama per rimontare il coperchio stesso.

### Uso

**Attenzione!** Lasciare che l'utensile lavori al suo ritmo, senza sovraccaricarlo.

### Caricamento della batteria

E' necessario caricare la batteria prima del primo utilizzo e ogniqualvolta che non eroghi la sufficiente energia per eseguire un lavoro che prima veniva eseguito con facilità. Quando si carica la batteria per la prima volta, o dopo un lungo periodo d'inattività, accetterà soltanto l'80% della sua capacità. Dopo diversi cicli di carica e scarica la batteria raggiunge la sua piena capacità. La batteria si può riscaldare durante il processo di carica; è normale e non è indicativo di nessun problema.

**Attenzione!** Non caricare la batteria ad una temperatura ambiente inferiore ai 10 °C o superiore ai 40 °C. La temperatura di carica consigliata è di circa 24 °C.

L'utensile può rimanere attaccato al caricabatterie indefinitamente.

Per ottimizzare la durata della batteria si consiglia di mantenere la batteria collegata al caricabatterie quando l'utensile non è in uso. Quando la batteria è carica, il consumo del caricabatterie è praticamente nullo.

### Ricarica con il supporto a muro (fig. F)

- ◆ Collocare l'utensile nel supporto a muro (11).
- ◆ Inserire la spina del caricabatterie nella presa.

### Ricarica con il connettore del caricabatterie (fig. G)

Il connettore del caricabatterie è progettato con speciali blocchi per impedire l'uso di un caricabatterie errato.

- ◆ Inserire il connettore del caricabatterie (12) nella presa sul retro dell'utensile.
- ◆ Inserire la spina del caricabatterie nella presa.

### GSL200/GSL300/GSL360 - Carica della batteria

- ◆ Caricare la batteria.

Quando la batteria è in carica l'indicatore di carica (6) si accende. L'indicatore di carica si spegne quando la carica è completa.

### GSL700 - Carica della batteria

- ◆ Caricare la batteria.

Quando la batteria è in carica l'indicatore di carica (6) lampeggia. L'indicatore di carica smette di lampeggiare quando la carica è completa. L'indicatore di carica lampeggia rapidamente per indicare un problema di carica. Quando si verifica un problema di carica, collegare l'utensile direttamente al connettore del caricabatterie eliminando il supporto a muro. Se il problema di ricarica persiste, il caricabatterie dovrà essere scollegato dalla rete elettrica e portato presso un centro assistenza autorizzato per la riparazione.

### Avviamento e spegnimento (fig. H)

#### Accensione

- ◆ Tenere premuto il pulsante di blocco (2) verso destra o verso sinistra, quindi premere l'interruttore di accensione/spegnimento (1).
- ◆ Rilasciare il pulsante di blocco.

#### Spegnimento

- ◆ Rilasciare l'interruttore di accensione/spegnimento (1).

**Attenzione!** Non tentare mai di bloccare l'interruttore in posizione di accensione.

### Consigli per un'ottima utilizzazione (fig. I & J)

- ◆ Spruzzare la lama con un leggero strato di gasolio uso generale prima del primo utilizzo e ogni volta che le lame cominciano a guardare a secco.

### Taglio dell'erba

- ◆ Per ottenere un taglio ottimale, tosare soltanto erba asciutta.
- ◆ Sostenere l'utensile come mostrato nella fig. I1 & I2. Mantenere l'altra mano ben lontana dalla lama. Mantenersi in una posizione di lavoro stabile per non scivolare. Non sporgersi.
- ◆ Quando si tosa erba alta, procedere per gradi, partendo dalla cima. Fare piccoli tagli.
- ◆ Tenere l'utensile lontano da oggetti duri e piante delicate.
- ◆ Se la velocità dell'utensile diminuisce, ridurre il carico.
- ◆ Per eseguire un taglio più accurato, inclinare lievemente l'utensile.

### Potatura di siepi

- ◆ Inclinare leggermente l'utensile (fino a 15° rispetto alla linea di taglio) in modo che le punte della lama puntino leggermente verso la siepe (fig. J1). Questo accorgimento farà sì che le lame taglino più efficacemente.
- ◆ Iniziare tagliando la parte superiore della siepe. Mantenere l'utensile con l'angolazione desiderata e muoverlo con fermezza lungo la linea di taglio (fig. J2). La lama sui due lati consente di tagliare in qualsiasi direzione.
- ◆ Per ottenere un taglio dritto, usare una cordicella e fissarla all'altezza desiderata, lungo tutta la siepe. Usare la cordicella come guida, tagliando appena sopra di essa.
- ◆ Per ottenere fianchi pareggiati, tagliare verso l'alto nel senso della crescita. Quando la lama taglia verso il basso, i rami giovani si spostano verso l'esterno e ciò provoca dei buchi nella siepe.
- ◆ Fare attenzione ad evitare qualsiasi oggetto estraneo. Evitare, in particolare, oggetti duri come fili di metallo e ringhiere poiché potrebbero danneggiare le lame.
- ◆ Lubrificare le lame ad intervalli regolari.

### Quando tagliare

- ◆ In linea di massima le siepi con foglie stagionali si tagliano in giugno ed ottobre.
- ◆ I sempreverdi possono essere tagliati in aprile ed agosto.
- ◆ Conifere e altre siepi a crescita rapida possono essere tagliate ogni 6 settimane circa da maggio in avanti.

### Manutenzione

Questo apparecchio/elettrotensile con filo o a batteria BLACK+DECKER è stato progettato per funzionare a lungo con un minimo di manutenzione. Per un funzionamento sempre soddisfacente è necessario avere cura dell'elettrotensile e provvedere alla regolare pulizia.

**Attenzione!** Prima di eseguire qualunque intervento di manutenzione su elettrotensili con filo o a batteria:

- ◆ Spegnerne l'apparecchio/elettrotensile e disinserire la spina.
- ◆ Oppure spegnere e rimuovere la batteria se l'apparecchio/elettrotensile è dotato di una batteria separata.
- ◆ Oppure, far scaricare completamente la batteria, se è integrata, quindi spegnere l'elettrotensile.
- ◆ Scollegare il caricabatterie dalla presa elettrica prima di pulirlo. Il caricabatterie non richiede alcun tipo di manutenzione oltre a una regolare pulizia.
- ◆ Pulire regolarmente con una spazzola morbida o un panno asciutto le prese di ventilazione dell'elettrotensile/apparecchio e del caricabatterie.
- ◆ Il vano del motore deve essere pulito regolarmente con un panno umido. Non usare materiali abrasivi o detergenti a base di solventi.
- ◆ Aprire regolarmente il mandrino e colpirlo leggermente per togliere tutta la polvere dall'interno (quando è installato).
- ◆ Dopo l'uso, pulire con cura le lame. Dopo averle pulite, applicare qualche goccia d'olio per evitare che arrugginiscono

### Storage

Quando l'utensile non viene usato per diversi mesi, si consiglia di lasciare la batteria collegata al caricatore.

Altrimenti procedere come segue:

- ◆ Caricare completamente la batteria.
- ◆ Conservare l'utensile in un posto sicuro e asciutto. La temperatura di conservazione deve essere sempre compresa fra +5 °C e +40 °C.
- ◆ Prima di usare l'utensile dopo un lungo periodo di conservazione, ricaricare nuovamente la batteria.

### Protezione dell'ambiente



Raccolta differenziata. I prodotti e le batterie contrassegnati con questo simbolo devono essere smaltiti con i rifiuti domestici normali.

I prodotti e le batterie contengono materiali che possono essere recuperati o riciclati riducendo la richiesta di materie prime.

Riciclare i prodotti elettrici e le batterie secondo le disposizioni locali. Ulteriori informazioni sono disponibili all'indirizzo [www.2helpU.com](http://www.2helpU.com)

## Dati tecnici

		GSL200 (H1)	GSL300 (H1)
Tensione	$V_{DC}$	3.6	3.6
Corsa lama (senza carico)	$\text{min}^{-1}$	850	850
Lunghezza lama (tagliaerba)	cm	10	-
Separazione lama (tagliaerba)	mm	23	-
Lunghezza lama (tagliasiepi)	cm	-	15
Separazione lama (tagliasiepi)	mm	-	8
Tempo di arresto lama	s	< 1	< 1
Peso	kg	0.65	0.65

		GSL360 (H1)	GSL700 (H1)
Tensione	$V_{DC}$	3.6	7.0
Corsa lama (senza carico)	$\text{min}^{-1}$	850	850
Lunghezza lama (tagliaerba)	cm	10	10
Separazione lama (tagliaerba)	mm	23	23
Lunghezza lama (tagliasiepi)	cm	15	15
Separazione lama (tagliasiepi)	mm	8	8
Tempo di arresto lama	s	< 1	< 1
Peso	kg	0.65	0.65

Caricabatterie		905450xx	905527xx 9062xxxx
Tensione di rete	$V_{AC}$	230	230
Tensione di uscita	$V_{DC}$	9	10
Amperaggio	mA	100	120
Tempo approssimato di carica	h	19	14
Peso	kg	0.15	0.15

Livello di pressione sonora, dati conformi alla norma EN 60745 :	
Pressione sonora ( $L_{pA}$ )	66 dB(A), incertezza (K) 3 dB(A)
Potenza acustica ( $L_{WA}$ )	77 dB(A), incertezza (K) 3 dB(A)

Valori totali di vibrazione (somma vettoriale triax) determinati in base a EN 60745 :	
Valore di emissione delle vibrazioni ( $a_w$ )	3.1 $\text{m/s}^2$ , incertezza (K) 1.5 $\text{m/s}^2$

## Dichiarazione di conformità CE

DIRETTIVA MACCHINE

DIRETTIVA SULLE EMISSIONI ACUSTICHE ALL'ARIA APERTA



Tosaerba/potatore GSL200/GSL300/GSL360/GSL700

Black & Decker dichiara che i prodotti descritti nella sezione "dati tecnici" sono conformi con:  
EN60745-1:2009+A11:2010, EN60745-2-15:2009+A1:2010

2000/14/CE, Tagliasiepi, Allegato V

Livello di potenza acustica conforme con (5) 2000/14/CE  
(Articolo 13):

 $L_{WA}$  (potenza sonora misurata) 77 dB(A) $L_{WA}$  (potenza sonora garantita) 87 dB(A)

Questi prodotti sono conformi alla Direttiva  
2006/42/EC, 2014/30/UE and 2011/65/UE.

Per ulteriori informazioni contattare Black & Decker al seguente indirizzo oppure consultare l'ultima di copertina del manuale.

Il sottoscritto è responsabile della compilazione del file tecnico e rilascia la presente dichiarazione per conto di Black & Decker.

Ray Laverick  
Director of Engineering  
Black & Decker Europe, 210 Bath Road, Slough,  
Berkshire, SL1 3YD  
Regno Unito  
24/07/2018

## Garanzia

Black & Decker è sicura della qualità dei propri prodotti e offre ai consumatori una garanzia di 24 mesi dalla data di acquisto. Il presente certificato di garanzia è complementare ai diritti legali e non li pregiudica in alcun modo. La garanzia è valida sui territori degli stati membri dell'Unione Europea o dell'EFTA (Associazione europea di libero scambio).

Per attivare la garanzia, il reclamo deve essere effettuato in accordo con i Termini e Condizioni Black & Decker e sarà necessario presentare la prova di acquisto al venditore o all'agente di riparazione autorizzato. I Termini e condizioni della garanzia Black & Decker di 2 anni e la sede dell'agente di riparazione autorizzato più vicino sono consultabili su Internet all'indirizzo [www.2helpU.com](http://www.2helpU.com), o contattando l'ufficio Black & Decker di zona all'indirizzo indicato in questo manuale.

Visitare il nostro sito [www.blackanddecker.co.uk](http://www.blackanddecker.co.uk) per registrare il nuovo prodotto Black & Decker e ricevere gli aggiornamenti sui nuovi prodotti e le offerte speciali.

## Gebruik volgens bestemming

Uw BLACK+DECKER™-schaar/trimmer GSL200, GSL300, GSL360, GSL700 is ontworpen voor het knippen/trimmen van gras, heggen, struiken en braamstruiken. Dit gereedschap is uitsluitend bestemd voor consumentengebruik.

Uw BLACK+DECKER oplader is ontworpen voor het opladen van BLACK+DECKER accu's van het type dat bij deze machine wordt geleverd.

## Veiligheidsvoorschriften

### Algemene veiligheidswaarschuwingen voorelektrisch gereedschap



**Waarschuwing!** Lees alle veiligheidsinstructies en alle voorschriften. Wanneer de volgende waarschuwingen en voorschriften niet in acht worden genomen, kan dit een elektrische schok, brand of ernstig letsel tot gevolg hebben

### Bewaar alle waarschuwingen en instructies zorgvuldig.

Het hierna gebruikte begrip "elektrisch gereedschap" heeft betrekking op elektrische gereedschappen voor gebruik op het stroomnet (met netsnoer) of op batterijen (snoerloos).

#### 1. Veiligheid van de werkomgeving

- a. **Houd uw werkomgeving schoon en opgeruimd.** Een rommelige en een onverlichte werkomgeving kan tot ongevallen leiden.
- b. **Werk niet met elektrische gereedschappen in een omgeving met explosiegevaar, zoals in**

### **aanwezigheid van brandbare vloeistoffen, gassen of stof.**

Elektrische gereedschappen veroorzaken vonken die het stof of de dampen tot ontsteking kunnen brengen.

- c. **Houd kinderen en andere personen tijdens het gebruik van het elektrische gereedschap uit de buurt.** Wanneer u wordt afgeleid, kunt u de controle over het gereedschap verliezen.

#### 2. Elektrische veiligheid

- a. **De netstekker van het gereedschap moet in het stopcontact passen. De stekker mag in geen geval worden veranderd. Gebruik geen adapterstekkers in combinatie met geaarde gereedschappen.** Onveranderde stekkers en passende stopcontacten verminderen de kans op een elektrische schok.
- b. **Voorkom aanraking van het lichaam met geaarde oppervlakken, bijvoorbeeld buizen, verwarmingen, fornuizen en koelkasten.** De kans op een elektrische schok is groter als uw lichaam geaard is.
- c. **Stel elektrisch gereedschap niet bloot aan regen en vocht.** In elektrisch gereedschap binnendringend water vergroot de kans op een elektrische schok.
- d. **Gebruik het snoer niet voor een verkeerd doel. Gebruik het snoer niet om het gereedschap te dragen, voor te trekken of om de stekker uit**



**het stopcontact te trekken. Houd het snoer uit de buurt van hitte, olie, scherpe randen of bewegende delen.** Beschadigde of in de war geraakte snoeren vergroten de kans op een elektrische schok.

**e. Gebruik wanneer u buitenshuis met elektrisch gereedschap werkt alleen verlengsnoeren die voor gebruik buitenshuis zijn goedgekeurd.** Het gebruik van een voor gebruik buitenshuis geschikt verlengsnoer verkleint de kans op een elektrische schok.

**f. Gebruik een netvoeding voorzien van een reststroomvoorziening (RCD) indien het gebruiken van elektrisch gereedschap op een vochtige locatie onvermijdelijk is.** Gebruik van een reststroomvoorziening verkleint het risico van elektrische schok..

### **3. Veiligheid van personen**

**a. Wees alert, let goed op wat u doet en ga met verstand te werk bij het gebruik van elektrische gereedschappen. Gebruik elektrisch gereedschap niet wanneer u moebent of onder invloed van drugs, alcohol of medicijnen.** Een moment van onoplettendheid bij het gebruik van het gereedschap kan tot ernstige verwondingen leiden.

**b. Gebruik persoonlijke beschermende uitrusting. Draag altijd oogbescherming.** Persoonlijke beschermende uitrusting zoals een

stofmasker, slipvaste werkschoenen, een veiligheidshelm of gehoorbescherming, gebruikt voor geschikte condities, verkleint het risico van verwondingen.

**c. Voorkom onbedoeld inschakelen. Zorg ervoor dat de schakelaar in de "uit"-stand staat voordat u de stekker in het stopcontact steekt, de accu plaatst of het gereedschap oppakt of draagt.** Het dragen van het gereedschap met uw vinger aan de schakelaar of het gereedschap ingeschakeld op de stroomvoorziening aansluiten kan tot ongelukken leiden.

**d. Verwijder stelsleutels of moersleutels voordat u het gereedschap inschakelt.** Een sleutel in een draaiend onderdeel van het elektrische gereedschap kan tot verwondingen leiden.

**e. Reik niet te ver. Zorg altijd dat u stevig staat en in evenwicht blijft.** Daardoor kunt u het gereedschap in onverwachte situaties beter onder controle houden.

**f. Draag geschikte kleding. Draag geen loshangende kleding of sieraden. Houd haren, kleding en handschoenen uit de buurt van bewegende delen.** Loshangende kleding, sieraden en lange haren kunnen bekneld raken in bewegende delen.

**g. Sluit eventueel bijgeleverde stofafzuig- of stofopvangvoorzieningen aan en gebruik ze op de juiste manier. Het**

gebruik van stofopvang beperkt het gevaar door stof.

- h. Word niet gemakzuchtig doordat u door veelvuldig gebruik vertrouwd bent geraakt met het gereedschap, en verlies niet de veiligheidsbeginselen uit het oog.** Een onvoorzichtige handeling kan in een fractie van een seconde ernstig letsel tot gevolg hebben.
- 4. Gebruik en onderhoud van elektrische gereedschappen**
- a. Overbelast het gereedschap niet. Gebruik voor uw toepassing het daarvoor bestemde elektrische gereedschap.** Met het passende elektrische gereedschap werkt u beter en veiliger binnen het aangegeven capaciteitsbereik.
- b. Gebruik geen elektrisch gereedschap waarvan de schakelaar defect is.** Elektrisch gereedschap dat niet meer kan worden in- of uitgeschakeld is gevaarlijk en moet worden gerepareerd.
- c. Trek de stekker uit het stopcontact en/of accu alvorens het gereedschap af te stellen, accessoires te verwisselen of elektrisch gereedschap op te bergen.** Deze voorzorgsmaatregel voorkomt onbedoeld starten van het gereedschap.
- d. Bewaar elektrische gereedschappen die niet worden gebruikt buiten bereik van kinderen. Laat personen**

- die niet met het gereedschap vertrouwd zijn of deze aanwijzingen niet hebben gelezen niet met het gereedschap werken.** Elektrische gereedschappen zijn gevaarlijk in de handen van onervaren personen.
- e. Verzorg het gereedschap zorgvuldig. Controleer bewegende delen van het gereedschap op goede uitlijning en soepele werking. Controleer of onderdelen niet gebroken zijn of dat de werking van het gereedschap niet op enige andere wijze nadelig wordt beïnvloed. Laat beschadigde delen repareren voordat u met het gereedschap gaat werken.** Veel ongevallen worden veroorzaakt door slecht onderhouden elektrische gereedschappen.
- f. Houd snijgereedschappen scherp en schoon.** Zorgvuldig onderhouden snijgereedschappen met scherpe snijkanten lopen minder snel vast en zijn gemakkelijker te sturen.
- g. Gebruik elektrische gereedschappen, toebehoren, inzetgereedschappen en dergelijke volgens deze aanwijzingen. Let daarbij op de arbeidsomstandigheden en de uit te voeren werkzaamheden.** Het gebruik van elektrische gereedschappen voor andere dan de voorzienetoepassingen kan tot gevaarlijke situaties leiden.
- h. Houd de handgrepen droog, schoon en vrij van olie en vet.** Gladde handgrepen en hellende oppervlakken

maken het moeilijk het gereedschap veilig te hanteren en onder controle te houden in onverwachte situaties.

## 5. Gebruik en onderhoud van op een accu werkende gereedschappen

### a. Laad accu's alleen op in door de fabrikant gespecificeerde opladers.

Een voor een bepaald type accu geschikte oplader levert brandgevaar op bij gebruik met een andere accu.

### b. Gebruik elektrische gereedschappen alleen met de daarvoor bedoelde accu's. Het gebruik van andere accu's kan letsel en brand veroorzaken.

### c. Houd accu's die niet in gebruik zijn uit de buurt van metalen voorwerpen, zoals paperclips, munten, sleutels, spijkers, schroeven en andere kleine metalen voorwerpen, die overbrugging van de contacten kunnen veroorzaken.

Kortsluiting tussen de accupolen brandwonden of brand veroorzaken.

### d. Bij verkeerd gebruik kan vloeistof uit de batterij lekken. Voorkom contact. Spoel in geval van onbedoeld contact met water. Raadpleeg tevens een arts als de vloeistof in contact komt met de ogen. Uit de batterij gelekte vloeistof kan huidirritaties of brandwonden veroorzaken.

### e. Gebruik niet accu's of gereedschappen die beschadigd zijn of waaraan wijzigingen zijn aangebracht. Beschadigde of

gemodificeerde accu's kunnen zich onvoorspelbaar gedragen wat brand, explosie of een risico van letsel met zich mee kan brengen.

### f. Stel een accu of gereedschap niet bloot aan vuur of uitzonderlijk hoge temperaturen. Blootstelling aan brand of een temperatuur boven 130° C kan explosie tot gevolg hebben.

### g. Volg alle instructies voor het opladen en laad de accu of het gereedschap niet bij een temperatuur buiten het temperatuurbereik dat wordt opgegeven in de instructies. Onjuist opladen of opladen bij temperaturen buiten het opgegeven bereik kan de accu beschadigen en het risico van brand vergroten.

## 6. Service

### a. Laat het elektrische gereedschap alleen repareren door een gekwalificeerde reparateur en alleen met gebruik van originele vervangingsonderdelen. Dit garandeert de veiligheid van het gereedschap.

### b. Voer nooit servicewerkzaamheden uit aan accu's. Alleen de fabrikant of een geautoriseerd servicecentrum mag servicewerkzaamheden aan accu's uitvoeren.

## Aanvullende veiligheidsinstructies voor elektrisch gereedschap



**Waarschuwing!** Aanvullende veiligheidswaarschuwingen voor heggenscharen

- ◆ **Houd alle lichaamsdelen uit de buurt van het snijblad. Verwijder geen snijmateriaal of houd geen materiaal vast dat gesneden moet worden als de bladen in beweging zijn. Zorg ervoor dat de schakelaar is uitgeschakeld wanneer u vastzittend materiaal verwijdert.** Een moment van onoplettendheid bij het gebruik van de heggenschaar kan tot ernstige verwondingen leiden.
- ◆ **Draag de heggenschaar bij de handgreep en met stilstaand snijblad. Plaats altijd de beschermkap wanneer u de heggenschaar vervoert of opbergt.** Juist gebruik van de heggenschaar verkleint het risico van persoonlijk letsel door het snijblad.
- ◆ **Houd het snoer uit de buurt van de snijbladen.** Tijdens het gebruik kan de kabel aan het zicht worden onttrokken en onbedoeld worden doorgesneden door het blad.
- ◆ **Houd het elektrisch gereedschap alleen aan de geïsoleerde greepvlakken vast, omdat het snijblad verborgen stroomleidingen kan raken.** Snijbladen die een onder spanning staande leiding raken, zetten ook de zichtbare metalen machinedelen onder spanning; dit kan de gebruiker een elektrische schok geven.
- ◆ Het bedoelde gebruik wordt in deze handleiding beschreven. Gebruik van accessoires of hulpstukken of het uitvoeren van werkzaamheden met dit gereedschap die niet in deze handleiding zijn beschreven, kan leiden tot persoonlijk letsel en/of schade aan eigendommen.
- ◆ Als u nooit eerder met een heggenschaar heeft gewerkt, dient u bij voorkeur praktische aanwijzingen te vragen aan een ervaren gebruiker als aanvulling op het bestuderen van deze handleiding.
- ◆ Raak nooit de bladen aan terwijl het gereedschap werkt.
- ◆ Probeer nooit om de bladen geforceerd tot stilstand te brengen.
- ◆ Zet het gereedschap niet neer voordat de bladen volledig tot stilstand zijn gekomen.
- ◆ Controleer de bladen regelmatig op beschadiging en slijtage. Gebruik het gereedschap niet als de bladen beschadigd zijn.
- ◆ Vermijd contact met harde voorwerpen (bijv. staaldraad, traliwerk) tijdens het knippen. Indien u per ongeluk een dergelijk voorwerp raakt, dient u het gereedschap onmiddellijk uit te schakelen en op schade te controleren.
- ◆ Indien het gereedschap abnormaal begint te trillen, dient u deze onmiddellijk uit te schakelen en op schade te controleren.

- ◆ Indien het gereedschap vast komt te zitten, dient u deze onmiddellijk uit te schakelen.
- ◆ Plaats na gebruik de meegeleverde beschermhuls over de bladen. Zorg ervoor dat bij het opbergen van het gereedschap de bladen beschermd zijn.
- ◆ Zorg er altijd voor dat bij gebruik van het gereedschap alle veiligheidsvoorzieningen zijn aangebracht. Probeer nooit om incompleet gereedschap of gereedschap met niet goedgekeurde aanpassingen te gebruiken.
- ◆ Laat kinderen niet met het gereedschap werken.
- ◆ Let op vallende takken bij het knippen van de hoge kanten van een heg.

## Aanvullende veiligheidsinstructies voor elektrisch gereedschap



**Waarschuwing!** Aanvullende veiligheidswaarschuwingen voor knipgereedschap

- ◆ Verbied kinderen en personen die niet van de inhoud van de handleiding op de hoogte zijn het gebruik van de machine. De leeftijd van de gebruiker kan aan plaatselijke voorschriften gebonden zijn.
- ◆ Bedenk dat de persoon die de machine bedient of gebruiker verantwoordelijk is voor ongelukken of

- gevaaren aan andere mensen of hun eigendommen.
- ◆ Gebruik de machine niet in de buurt van mensen, met name kinderen, of huisdieren.
- ◆ Gebruik de machine alleen bij daglicht of goed kunstlicht.
- ◆ Zorg er altijd voor dat de ventilatieopeningen vrij zijn van afval.
- ◆ Gebruik uitsluitend reserveonderdelen en accessoires die door de fabrikant worden aanbevolen.
- ◆ Inspecteer en onderhoud de machine regelmatig. Laat de machine alleen door een erkende reparateur repareren.

## Veiligheid van anderen

- ◆ Dit apparaat mag worden gebruikt door kinderen vanaf 8 jaar oud en personen met beperkte fysieke, zintuiglijke of mentale vaardigheden, of die een gebrek hebben aan ervaring en kennis, indien ze onder toezicht staan of gepaste instructies hebben gekregen zodat ze het apparaat op een veilige manier kunnen gebruiken en op de hoogte zijn van de gevaren die het gebruik van het apparaat met zich meebrengt.
- ◆ Kinderen mogen niet met het apparaat spelen. Laat kinderen nooit zonder toezicht het apparaat schoonmaken of onderhouden.

## Vibratie

De verklaarde trillingsafgifte in het gedeelte van de technische gegevens /

conformiteitsverklaring zijn gemeten volgens een standaard testmethode vastgesteld door EN 60745 en kan worden gebruikt om apparaten met elkaar te vergelijken. De verklaarde trillingsafgifte kan ook worden gebruikt in een voorlopige beoordeling van blootstelling.

**Waarschuwing!** De waarde van de trillingsafgifte tijdens daadwerkelijk gebruik van elektrisch gereedschap kan afwijken van de verklaarde waarde afhankelijk op wat voor manieren het apparaat wordt gebruikt. Het trillingsniveau kan toenemen boven het aangegeven niveau.

Bij het bepalen van de trillingsblootstelling ter vaststelling van de veiligheidsmaatregelen vereist door 2002/44/EG - ter bescherming van personen die werkmattig geregeld elektrisch gereedschap gebruiken - dient een inschatting van de trillingsblootstelling de feitelijke gebruikscondities en bedieningswijze in acht te nemen, inclusief alle onderdelen van de bedieningscyclus, zoals het uitschakelen van het apparaat en het onbelast laten lopen alsmede de trekkertijd.

## Labels op de gereedschap

De volgende pictogrammen samen met de datum code worden weergegeven op het instrument:



**Waarschuwing!** De gebruiker moet de handleiding lezen om risico op letsel te verkleinen.



Draag een veiligheidsbril als u dit gereedschap bedient.



Stel de machine niet bloot aan regen of overmatige vochtigheid.



Pas op voor scherpe bladen. Bladen blijven draaien nadat de motor is uitgeschakeld.



Pas op voor rendvliegende voorwerpen. Houd omstanders uit de buurt.



Klasse III-apparaat.



Richtlijn 2000/14/EG  
gegarandeerd geluidsvermogen.

## Aanvullende veiligheidsvoorschriften voor accu's en opladers

### Accu's

- ◆ Probeer nooit een accu te openen.
- ◆ Stel de accu niet aan water bloot.
- ◆ Bewaar accu's niet op plaatsen waar de temperatuur hoger kan worden dan 40 °C.
- ◆ Laad accu's uitsluitend op bij een omgevingstemperatuur tussen 10 °C en 40 °C.
- ◆ Laad accu's uitsluitend op met behulp van de meegeleverde oplader. Het gebruik van een verkeerde oplader kan resulteren in een elektrische schok of de accu kan oververhit raken.

- ◆ Volg bij het weggooien van accu's de instructies in de paragraaf "Milieu" op.
- ◆ Beschadig en vervorm de accu niet door lek prikken of door botsing, omdat dit letsel en brandgevaar kan opleveren.
- ◆ Laad geen beschadigde accu's op.
- ◆ Onder extreme gebruikscondities kan er vloeistof uit de accu vrijkomen. Als u vloeistof op de accu's opmerkt, verwijder dan de vloeistof voorzichtig met behulp van een doekje. Vermijd huidcontact.
- ◆ Als de vloeistof toch in aanraking komt met de huid of de ogen, volgt u de onderstaande instructies op.

**Waarschuwing!** De accuvloeistof kan ernstig letsel of schade aan eigendommen veroorzaken. Indien accuvloeistof met de huid in aanraking is gekomen, spoel dan de huid onmiddellijk met water af. Raadpleeg in geval van rode uitslag, pijn of irritatie onmiddellijk een arts. Indien accuvloeistof met het oog in aanraking is gekomen, spoel dan onmiddellijk het oog met water.

## Opladers

Uw oplader is ontwikkeld voor een bepaalde spanning. Controleer altijd of de netspanning overeenkomt met het voltage op het typeplaatje.

**Waarschuwing!** Vervang de oplader nooit door een netstekker.

- ◆ Gebruik uw BLACK+DECKER oplader uitsluitend voor het opladen van accu's van het meegeleverde type. Andere

accu's kunnen scheuren en zo letsel en materiële schade veroorzaken.

- ◆ Probeer nooit niet-oplaadbare accu's op te laden.
- ◆ Laat een beschadigd netsnoer vervangen door de fabrikant of een erkend BLACK+DECKER Servicecentrum om gevaren te voorkomen.
- ◆ Stel de oplader niet aan water bloot.
- ◆ Open de oplader niet.
- ◆ Doorboor de oplader niet.
- ◆ Het apparaat, de machine en de accu moeten tijdens het opladen in een goed geventileerde ruimte worden geplaatst.



De lader is uitsluitend bestemd voor gebruik binnenshuis.



Lees de instructiehandleiding voordat u de lader in gebruik neemt.

## Elektrische veiligheid



Uw oplader is dubbel geïsoleerd; een aardaansluiting is daarom niet noodzakelijk. Controleer altijd of de netspanning overeenkomt met het voltage op het typeplaatje.

- ◆ Laat een beschadigd netsnoer vervangen door de fabrikant of een erkend BLACK+DECKER Servicecentrum om gevaren te voorkomen.
- ◆ **Waarschuwing!** Vervang de oplader nooit door een netstekker.



## Onderdelen

1. Aan/uit-schakelaar
2. Ontgrendelingsknop
3. Bladontgrendelingsknop
4. Schaarblad (GSL200/GSL360/GSL700)
5. Strimblad (GSL300/GSL360/GSL700)
6. Oplaadindicator

## Assemblage

**Waarschuwing!** Voorkom een onbedoeld inschakelen van het gereedschap tijdens de montage.

### Monteren van de muurbevestiging aan de muur (fig. A & B)

De muurbevestiging kan aan de muur worden gemonteerd om het gereedschap een geschikte opbergplaats en oplaadpunt te geven.

- ◆ Draai de schroeven in de muur door de gaten in de spleten van de muurbevestiging.
- ◆ Plaats het gereedschap op de muurbevestiging.
- ◆ Steek de stekker van de oplader in het stopcontact en zorg ervoor dat de oplaadindicator (6) gaat branden (fig. A).
- ◆ Gebruik indien nodig de twee pinnen (7) onder de muurbevestiging om reserveblad op te bergen (fig. B).

**Waarschuwing!** Voorkom beschadiging van het elektriciteitsnoer tijdens het monteren van de muurbevestiging aan de muur.

### Verwijderen van de oplaadstekker uit demuurbevestiging (fig. C)

Het gereedschap kan worden opgeladen zonder de muurbevestiging te gebruiken. De oplaadstekker kan rechtstreeks op het gereedschap worden aangesloten.

- ◆ Verwijder de schroeven aan de achterkant van de muurbevestiging.
- ◆ Schuif het achterste gedeelte (8) van het voorste gedeelte (9) om de muurbevestiging te openen.
- ◆ Verwijder de oplaadstekker uit de muurbevestiging.

### Monteren en verwijderen van het blad (fig. D & E)

Het schaarblad (4) is ontworpen voor het strimmen van gras en onkruid. Het strimblad (5) is ontworpen voor het strimmen van heggen en struiken.

- ◆ Verwijder de bladschermer.
- ◆ Druk en houd de bladontgrendelingsknop (3) in de richting van de pijl (fig. D1).
- ◆ Schuif het bladdeksel (10) naar achteren en til het deksel op (fig. D2).
- ◆ Laat het mes op de pinnen.
- ◆ Plaats het bladdeksel (10) terug en schuif het naar voren

(fig. E1) terwijl u het blad over de pinnen houdt (fig. E2).

**Opmerking:** Het uitlijnen van het blad met aandrijfpin is niet vereist en het bedienen van de bladdekselontgrendelingsknop is niet vereist wanneer de bladbeschermer wordt teruggeplaatst.

## Gebruik

**Waarschuwing!** Laat de machine op haar eigen tempo werken. Niet overbelasten.

### Opladen van de accu

De accu moet worden opgeladen voor het eerste gebruik alsmede zodra hij niet meer genoeg energie levert voor werkzaamheden die eerder moeiteloos konden worden verricht. Als u de accu voor de eerste keer of na langdurige opslag oplaadt, zal deze slechts voor ca. 80% worden opgeladen. Na een aantal laad- en ontlad-cycli wordt de accu echter compleet opgeladen. Tijdens het opladen kan de accu warm aanvoelen. Dit is normaal en duidt niet op een defect.

**Waarschuwing!** Laad de accu niet op bij omgevingstemperaturen onder 10 °C of boven 40 °C. Aanbevolen oplaadtemperatuur: ca. 24 °C.

Het gereedschap kan voor onbepaalde tijd op de oplader aangesloten blijven. Om de levensduur van de accu te maximaliseren, strekt het tot aanbeveling om de accu op de oplader aangesloten te houden zolang het gereedschap niet wordt gebruikt. Als de accu volledig is opgeladen, is het stroomverbruik van de oplader verwaarloosbaar.

### Opladen met de muurbevestiging (fig. F)

- ◆ Plaats het gereedschap op de muurbevestiging (11).
- ◆ Steek de stekker van de oplader in het stopcontact.

### Opladen met opladerstekker (fig. G)

De opladerstekker is ontworpen met uitsparingen om te voorkomen dat een onjuiste oplader wordt gebruikt.

- ◆ Steek de stekker van de oplader (12) in de opladerconnector (7) aan de achterzijde van het gereedschap.
- ◆ Steek de stekker van de oplader in het stopcontact.

### GSL200/GSL300/GSL360 - Opladen van de accu

- ◆ Laad de accu op.

De accu is opgeladen wanneer de oplaadindicator (6) gaat branden. De oplaadindicator dooft wanneer het opladen is voltooid.

### GSL700 - Opladen van de accu

- ◆ Laad de accu op.

De accu is opgeladen wanneer de oplaadindicator (6) knippert. De oplaadindicator dooft wanneer het opladen is voltooid. De oplaadindicator knippert snel wanneer er een oplaadprobleem is. Wanneer er een oplaadprobleem is, sluit u het gereedschap rechtstreeks aan op de oplaadstekker door de muurbevestiging te verwijderen. Als het oplaadprobleem aanhoudt, koppelt u de oplader los van de netspanning en breng hem voor reparatie naar een erkend servicecentrum.

## Aan- en uitschakelen (fig. H)

### Inschakelen

- ◆ Druk en houd vergrendelingsknop (2) naar rechts of naar links en drukt u de aan/uit-schakelaar (1) in.
- ◆ Laat de ontgrendelingsknop los.

### Uitschakelen

- ◆ Laat de aan/uit-schakelaar (1) los.

**Waarschuwing!** Probeer nooit de schakelaar in de ingeschakelde stand te vergrendelen.

## Tips voor optimaal gebruik (fig. I & J)

- ◆ Spuit het blad met een dun laagje van het licht algemeen gebruik olie voor het eerste gebruik en telkens wanneer de messen beginnen te kijken droog.

## Gras trimmen

- ◆ Voor een optimaal resultaat kunt u het beste alleen droog gras bewerken.
- ◆ Houd het gereedschap vast zoals afgebeeld in fig. I1 & I2. Houd uw handen uit de buurt van blad. Ga stevig staan, zodat u niet uitglijdt. Reik niet te ver.
- ◆ Ga bij het bewerken van lang gras laag voor laag te werk vanaf de bovenkant. Neem kleine stroken.
- ◆ Houd het gereedschap uit de buurt van harde voorwerpen en fijne beplanting.
- ◆ Verminder de belasting als het gereedschap langzamer begint te draaien.
- ◆ Houd het gereedschap een beetje schuin om een nauwkeuriger kant te snijden.

## Heggen knippen

- ◆ Houd het gereedschap een beetje schuin (tot 15° ten opzichte van de kniplijn) zodat de bladpunten lichtjes naar de heg (fig. J1) wijzen. Hierdoor zullen de bladen beter snijden.
- ◆ Begin met het knippen van de bovenkant van de heg. Houd het gereedschap in de gewenste hoek en beweeg geleidelijk langs de kniplijn (fig. J2). Dankzij het dubbelzijdige blad kunt u in beide richtingen knippen.
- ◆ Span om mooi recht te knippen een stuk draad op de gewenste hoogte over de gehele lengte van de heg. Gebruik de draad als een richtlijn en knip er iets boven.

- ◆ Knip om vlakke zijkant te krijgen naar boven met de groeirichting mee. Jongere stammen bewegen naar buiten toe als u met het blad naar beneden knipt. Dit levert oneffenheden op in de heg.
- ◆ Vermijd contact met vreemde voorwerpen. In het bijzonder harde voorwerpen zoals staaldraad en traliewerk, aangezien deze de bladen kunnen beschadigen.
- ◆ Olie regelmatig de bladen.

## Wanneer te snoeien

- ◆ De meeste heggen en struiken die hun bladeren verliezen kunnen in juni en oktober worden gesnoeid.
- ◆ Heggen en struiken die altijd groen blijven, kunnen in april en augustus worden gesnoeid.
- ◆ Snoeien en andere snelgroeïende struiken kunnen vanaf mei ongeveer om de 6 weken worden gesnoeid.

## Onderhoud

Uw BLACK+DECKER machine met/zonder snoer is ontworpen om gedurende langere periode te functioneren met een minimum aan onderhoud. Voortdurend tevreden gebruik is afhankelijk van correct onderhoud en regelmatig schoonmaken.

**Waarschuwing!** Vóór aanvang van onderhoudswerkzaamheden aan apparaten met/zonder snoer:

- ◆ Schakel het apparaat / de machine uit en haal de stekker uit het stopcontact.
- ◆ Of schakel het apparaat / de machine uit of verwijder de accu van het apparaat / de machine indien het apparaat / de machine een aparte accu heeft.
- ◆ Of laat de accu volledig leeglopen indien de accu geïntegreerd is en schakel vervolgens uit.
- ◆ Haal voor het reinigen van de oplader de stekker uit het stopcontact. Uw oplader heeft geen ander onderhoud dan een regelmatige reiniging.
- ◆ Reinig regelmatig de ventilatieopeningen van uw apparaat/machine/oplader met behulp van een zachte borstel of een droge doek.
- ◆ Reinig regelmatig de behuizing van de motor met een vochtige doek. Gebruik geen schuur- of oplosmiddel bij het reinigen.
- ◆ Open regelmatig de boorhouder en tik zachtjes om eventueel stof uit de binnenkant te verwijderen (indien aanwezig).
- ◆ Reinig de bladen na gebruik zorgvuldig. Breng na reiniging een dunne laag lichte machineolie aan om te voorkomen dat de bladen gaan roesten.

## Berging

Laat bij voorkeur de accu op de oplader aangesloten als het gereedschap een aantal maanden niet wordt gebruikt.

Ga anders als volgt te werk:

- ◆ Laad de accu volledig op.
- ◆ Berg het gereedschap op een veilige en droge plaats op. De opslagtemperatuur moet altijd tussen +5 °C en +40 °C liggen.
- ◆ Laad de accu weer volledig op voordat u het gereedschap na langere periode van berging gaat gebruiken.

## Het milieu beschermen



Gescheiden afvalinzameling. Producten en accu's die zijn voorzien van dit symbool mogen niet bij het normale huishoudafval worden weggegooid.

Producten en accu's bevatten materialen die kunnen worden teruggewonnen of gerecycled, wat de vraag naar grondstoffen doet afnemen. Recycle elektrische producten en accu's volgens de ter plaatse geldende bepalingen. Nadere informatie is beschikbaar op [www.2helpU.com](http://www.2helpU.com)

## Technische gegevens

		GSL200 (H1)	GSL300 (H1)
Spanning	V <sub>DC</sub>	3.6	3.6
Bladbewegingen (onbelast)	min <sup>-1</sup>	850	850
Bladlengte (schaar)	cm	10	-
Tandsteek (schaar)	mm	23	-
Bladlengte (strimmer)	cm	-	15
Tandsteek (strimmer)	mm	-	8
Afremtijd van het blad	s	< 1	< 1
Gewicht	kg	0.65	0.65

		GSL360 (H1)	GSL700 (H1)
Spanning	V <sub>DC</sub>	3.6	7.0
Bladbewegingen (onbelast)	min <sup>-1</sup>	850	850
Bladlengte (schaar)	cm	10	10
Tandsteek (schaar)	mm	23	23
Bladlengte (strimmer)	cm	15	15
Tandsteek (strimmer)	mm	8	8
Afremtijd van het blad	s	< 1	< 1
Gewicht	kg	0.65	0.65

Oplader	905450xx	905527xx	9062xxxx
Ingangsspanning	V <sub>AC</sub>	230	230
Uitgangsspanning	V <sub>DC</sub>	9	10
Amperage	mA	100	120
Gemiddelde oplaadtijd	h	19	14
Gewicht	kg	0.15	0.15

### Livello di pressione sonora, dati conformi alla norma EN 60745 :

Geluidsdruk (L<sub>pa</sub>) 66 dB(A), onzekerheid (K) 3 dB(A)

Geluidsvermogen (L<sub>wa</sub>) 77 dB(A), onzekerheid (K) 3 dB(A)

### Totale trillingswaarden (som triaxvector) volgens EN 60745:

Trillingsafgifte (a<sub>r</sub>) 3.1 m/s<sup>2</sup>, onzekerheid (K) 1.5 m/s<sup>2</sup>

## EG-conformiteitsverklaring

MACHINERICHTLIJN  
RICHTLIJN GELUID BUITENSHUIS



GSL200/GSL300/GSL360/GSL700 - Schaar/Trimmer

Black & Decker verklaart dat deze producten, zoals onder "technische gegevens" beschreven, overeenkomstig zijn met: EN60745-1:2009+A11:2010, EN60745-2-15:2009+A1:2010

2000/14/EC, Trimmer, Annex V  
Niveau van het geluidsvermogen volgens (5) 2000/14/EG  
(Artikel 13):

L<sub>WA</sub> (gemeten geluidsvermogen) 77 dB(A)

L<sub>WA</sub> (gegarandeerd geluidsvermogen) 87 dB(A)

Deze producten voldoen tevens aan richtlijn  
2006/42/EC, 2014/30/EU and 2011/65/EU.

Neem voor meer informatie contact op met Black & Decker op het volgende adres of raadpleeg de achterzijde van de handleiding.

De ondergetekende is verantwoordelijk voor de samenstelling van de technische gegevens en geeft deze verklaring namens Black & Decker.

Ray Laverick  
Director of Engineering  
Black & Decker Europe, 210 Bath Road, Slough,  
Berkshire, SL1 3YD  
United Kingdom  
24/07/2018

## Garantie

Black & Decker heeft vertrouwen in zijn producten en biedt consumenten een garantie van 24 maanden vanaf de aankoopdatum. Deze garantie vormt een aanvulling op uw wettelijke rechten en beperken deze niet. De garantie is geldig op het grondgebied van de Lidstaten van de Europese Unie en de Europese Vrijhandelszone.

Voor een garantie-aanspraak moet uw aanspraak in overeenstemming zijn met de Voorwaarden en Conditie van Black&Decker en moet u een bewijs van aankoop overleggen aan de verkoper of aan een geautoriseerde reparatiemonteur. Voorwaarden en condities van de 2-jarige garantie van Black&Decker en het adres van de vestiging van het geautoriseerde reparatiecentrum bij u in de buurt, kunt u vinden op internet op [www.2helpU.com](http://www.2helpU.com), of door contact op te nemen met het Black & Decker-kantoor ter plaatse, op het adres dat in deze handleiding wordt vermeld.

Bezoek onze website [www.blackanddecker.nl](http://www.blackanddecker.nl), waar u uw nieuwe Black & Decker-product kunt registreren en informatie kunt verkrijgen over nieuwe producten en speciale aanbiedingen.

## Finalidad

Las tijera-arreglasetos BLACK+DECKER™ GSL200, GSL300, GSL360 y GSL700 han sido diseñadas para cortar césped, setos, arbustos y zarzas. Esta herramienta ha sido concebida únicamente para uso doméstico.

Su cargador BLACK+DECKER está diseñado para cargar baterías BLACK+DECKER del tipo suministrado con la herramienta.

## Instrucciones de seguridad

### Advertencias de seguridad generales para herramientas eléctricas



**¡Atención!** Lea todas las advertencias e instrucciones de seguridad. En caso de no respetarse las advertencias e instrucciones indicadas a continuación, podría producirse una descarga eléctrica, incendio y/o lesión grave.

**Conserve todas las advertencias e instrucciones para su posterior consulta.** El término "herramienta eléctrica" empleado en las advertencias indicadas a continuación se refiere a la herramienta eléctrica con alimentación de red (con cable) o alimentada por pila (sin cable).

- 1. Seguridad del área de trabajo**
  - a. Mantenga limpia y bien iluminada el área de trabajo.** El desorden o una iluminación deficiente en las áreas de trabajo pueden provocar accidentes.
  - b. No utilice la herramienta eléctrica en un entorno con peligro de**

**explosión, en el que se encuentren combustibles líquidos, gases o material en polvo.** Las herramientas eléctricas producen chispas que pueden llegar a inflamar los materiales en polvo o vapores.

- c. Mantenga alejados a los niños y otras personas del área de trabajo al emplear la herramienta eléctrica.** Una distracción le puede hacer perder el control sobre la herramienta.

## 2. Seguridad eléctrica

- a. El enchufe de la herramienta eléctrica debe corresponder a la toma de corriente utilizada. No es admisible modificar el enchufe en forma alguna. No emplee adaptadores en herramientas eléctricas dotadas con una toma de tierra.** Los enchufes sin modificar adecuados a las respectivas tomas de corriente reducen el riesgo de una descarga eléctrica.
- b. Evite que su cuerpo toque partes conectadas a tierra como tuberías, radiadores, cocinas y refrigeradores.** El riesgo a quedar expuesto a una descarga eléctrica es mayor si su cuerpo tiene contacto con tierra.
- c. No exponga las herramientas eléctricas a la lluvia y evite que penetren líquidos en su interior.** Existe el peligro de recibir una descarga eléctrica si penetran ciertos líquidos en la herramienta eléctrica.

- d. Cuide el cable eléctrico. No utilice el cable eléctrico para transportar o colgar la herramienta eléctrica, ni tire de él para sacar el enchufe de la toma de corriente. Mantenga el cable eléctrico alejado del calor, aceite, bordes afilados o piezas móviles.** Los cables eléctricos dañados o enredados pueden provocar una descarga eléctrica.

- e. Al trabajar con la herramienta eléctrica en la intemperie utilice solamente cables alargadores homologados para su uso en exteriores.** La utilización de un cable alargador adecuado para su uso en exteriores reduce el riesgo de una descarga eléctrica.
- f. Si fuera inevitable la utilización de una herramienta eléctrica en un lugar húmedo, utilice un suministro protegido con un dispositivo de corriente residual (RCD).** La utilización de un dispositivo de corriente residual reduce el riesgo de descarga eléctrica.

## 3. Seguridad personal

- a. Esté atento a lo que hace y emplee la herramienta eléctrica con prudencia. No utilice la herramienta eléctrica si estuviese cansado, ni tampoco después de haber consumido alcohol, drogas o medicamentos.** El no estar atento durante el uso de una herramienta eléctrica puede provocarle serias lesiones.

**b. Utilice equipos de protección personal. Lleve siempre protección ocular.** Los equipos de protección tales como una mascarilla antipolvo, zapatos de seguridad con suela antideslizante, casco o protectores auditivos, utilizados en condiciones adecuadas, contribuyen a reducir las lesiones personales.

**c. Evite una puesta en marcha involuntaria. Asegúrese de que el interruptor esté en la posición de apagado antes de conectar a la fuente de alimentación o la batería, coger o transportar la herramienta.** Si se transportan herramientas eléctricas con el dedo sobre el interruptor o si se enchufan con el interruptor encendido puede dar lugar a accidentes.

**d. Retire las herramientas de ajuste o llaves fijas antes de conectar la herramienta eléctrica.** Una herramienta o llave colocada en una pieza giratoria de la herramienta eléctrica puede producir lesiones al ponerse a funcionar.

**e. Sea precavido. Evite adoptar una posición que fatigue su cuerpo; mantenga un apoyo firme sobre el suelo y conserve el equilibrio en todo momento.** Ello le permitirá controlar mejor la herramienta eléctrica en caso de presentarse una situación inesperada.

**f. Lleve puesta una vestimenta de trabajo adecuada. No lleve vestidos**

**anchos ni joyas. Mantenga su pelo, vestimenta y guantes alejados de las piezas móviles.** La vestimenta suelta, las joyas y el pelo largo se pueden enganchar con las piezas en movimiento.

**g. Siempre que sea posible utilizar unos equipos de aspiración o captación de polvo, asegúrese que éstos estén montados y que sean utilizados correctamente.** El empleo de equipos de recogida de polvo reduce los riesgos derivados del polvo.

**h. Evite que la familiaridad adquirida con el uso frecuente de las herramientas le haga confiarse demasiado e ignorar las normas de seguridad de las herramientas.** Un descuido puede causar lesiones graves en una fracción de segundo.

#### **4. Uso y cuidado de herramientas eléctricas**

**a. No sobrecargue la herramienta eléctrica. Use la herramienta eléctrica prevista para el trabajo a realizar.** Con la herramienta eléctrica adecuada podrá trabajar mejor y más seguro dentro del margen de potencia indicado.

**b. No utilice herramientas eléctricas con un interruptor defectuoso.** Las herramientas eléctricas que no se puedan conectar o desconectar son peligrosas y deben hacerse reparar.

**c. Desconecte el enchufe de la fuente eléctrica y/o la batería de la herramienta eléctrica antes de**

- realizar ajustes, cambiar accesorios o almacenar la herramienta eléctrica.** Esta medida preventiva reduce el riesgo de conectar accidentalmente la herramienta eléctrica.
- d. Guarde las herramientas eléctricas fuera del alcance de los niños y de las personas que no estén familiarizadas con su uso.** Las herramientas eléctricas utilizadas por personas inexpertas son peligrosas.
- e. Cuide sus herramientas eléctricas con esmero. Controle si funcionan correctamente, sin atascarse, las partes móviles de la herramienta eléctrica, y si existen partes rotas o deterioradas que pudieran afectar al funcionamiento de la herramienta. Si la herramienta eléctrica estuviese defectuosa haga que la reparen antes de volver a utilizarla.** Muchos accidentes se deben a herramientas eléctricas con un mantenimiento deficiente.
- f. Mantenga las herramientas de corte limpias y afiladas.** Las herramientas de corte mantenidas correctamente se dejan guiar y controlar mejor.
- g. Utilice la herramienta eléctrica, los accesorios y las puntas de la herramienta, etc. de acuerdo a estas instrucciones, teniendo en cuenta las condiciones de trabajo y la tarea a realizar.** El uso de herramientas eléctricas para trabajos diferentes de aquellos para los que han sido concebidas puede resultar peligroso.
- h. Mantenga las empuñaduras y superficies de agarre secas, limpias y libres de aceite y grasa.** Las empuñaduras resbalosas y las superficies engrasadas impiden aferrar y controlar la herramienta en situaciones imprevistas.
- 5. Uso y cuidado de herramientas con batería**
- a. Recargue la batería únicamente con el cargador especificado por el fabricante.** Un cargador adecuado para un tipo de batería puede provocar un incendio si se utiliza con otra batería.
- b. Use las herramientas únicamente con las baterías específicamente designadas.** El uso de cualquier otra batería puede provocar lesiones o un incendio.
- c. Cuando no utilice la batería, manténgala alejada de objetos metálicos como clips, monedas, llaves, clavos, tornillos, o cualquier otro objeto metálico pequeño que pueda dar lugar a una conexión entre los bornes.** El cortocircuito entre los bornes de la batería puede ocasionar quemaduras o un incendio.
- d. Un mal uso puede dar lugar a que la pila pierda líquido; evite cualquier contacto con el líquido. Si accidentalmente entra en contacto con el líquido, enjuáguese con agua. Si le entra líquido en los ojos, busque rápidamente asistencia médica.** El líquido que pierde la pila



puede ocasionar irritación o quemaduras.

**e. No use la batería ni la herramienta si están dañadas o han sido modificadas.** Las baterías dañadas o modificadas pueden tener reacciones imprevistas y causar incendios, explosión o riesgo de lesiones.

**f. No exponga la batería o la herramienta al fuego o a temperaturas excesivas.** La exposición al fuego o a una temperatura superior a 130 °C puede causar una explosión.

**g. Siga las instrucciones de carga y no cargue la batería o la herramienta fuera del rango de temperatura especificada en las instrucciones.** La carga incorrecta o fuera del rango de temperatura especificado puede dañar la batería y aumentar el riesgo de incendio.

## 6. Servicio técnico

**a. Haga reparar su herramienta eléctrica sólo por personal técnico autorizado que emplee exclusivamente piezas de repuesto originales.** Solamente así se garantiza la seguridad de la herramienta eléctrica.

**b. Nunca repare la batería si está dañada.** La reparación de la batería puede ser efectuada únicamente por el fabricante o los proveedores de servicio autorizados.

## Advertencias de seguridad adicionales paraherramientas eléctricas



**¡Atención!** Advertencias de seguridad adicionales para recortasetos

- ◆ Mantenga todas las partes del cuerpo alejadas de la cuchilla. No quite el material cortado ni sujete el material que va a cortar cuando las cuchillas se estén moviendo. Asegúrese de que el interruptor esté apagado cuando quite el material atascado. Un momento de descuido durante el uso del recortasetos puede provocar lesiones personales graves.
- ◆ Transporte el recortasetos por el mango con la cuchilla parada. Cuando transporte o almacene el recortasetos, instale siempre la cubierta del dispositivo de corte. La manipulación adecuada del recortasetos reducirá posibles lesiones personales debidas a las cuchillas.
- ◆ Mantenga el cable alejado de la zona de corte. Durante el funcionamiento, el cable puede quedar oculto entre los arbustos y ser cortado accidentalmente por la cuchilla.
- ◆ Sujete la herramienta eléctrica únicamente por las empuñaduras aisladas, porque la cuchilla puede entrar en contacto con cables ocultos. El contacto de las cuchillas con cables con corriente puede hacer que las partes metálicas al descubierto de la herramienta eléctrica tengan corriente

- y puedan provocar una descarga eléctrica al usuario.
- ◆ En este manual de instrucciones se explica el uso previsto. El uso de otros accesorios, adaptadores, o la propia utilización de la herramienta en cualquier forma diferente de las recomendadas en este manual de instrucciones puede constituir un riesgo de lesiones a las personas y/o daños materiales.
  - ◆ Si nunca ha usado un recortasetos, es preferible que solicite el consejo de algún usuario con experiencia, además de leer con atención este manual.
  - ◆ Nunca toque las cuchillas mientras la herramienta esté funcionando.
  - ◆ Nunca intente forzar las cuchillas para que se paren.
  - ◆ No suelte la herramienta hasta que las cuchillas estén totalmente paradas.
  - ◆ Revise con regularidad las cuchillas por si estuvieran dañadas o desgastadas. No use la herramienta si las cuchillas están dañadas.
  - ◆ Procure evitar los objetos duros (p. ej. alambres, rejas) cuando esté recortando. En caso de tocar accidentalmente algún objeto de ese tipo, desconecte inmediatamente la herramienta y compruebe si está dañada.
  - ◆ Si la herramienta empieza a vibrar de un modo anormal, desconéctela inmediatamente y compruebe si está dañada.
  - ◆ Si la herramienta se atasca, desconéctela inmediatamente.
  - ◆ Después de usar la herramienta, cubra las cuchillas con la funda incluida. Guarde la herramienta, asegurándose de que la cuchilla no quede expuesta.
  - ◆ Siempre que utilice la herramienta asegúrese de que todas las protecciones estén ajustadas. Nunca intente utilizar una herramienta incompleta o con modificaciones no autorizadas.
  - ◆ No permita que los niños utilicen la herramienta, bajo ningún concepto.
  - ◆ Preste atención a los restos que caigan cuando esté cortando los lados más altos del seto.

## Advertencias de seguridad adicionales para herramientas eléctricas



**¡Atención!** Advertencias de seguridad adicionales para podadoras

- ◆ Nunca deje que la máquina sea utilizada por personas que no estén familiarizadas con estas instrucciones o por niños. La normativa local puede restringir la edad del usuario.
- ◆ Tenga en cuenta que el usuario es responsable de los accidentes o daños ocasionados a otras personas o a sus pertenencias.
- ◆ Nunca utilice la máquina mientras haya otras personas, sobre todo niños, o animales de compañía cerca.

- ◆ Utilice la máquina sólo a la luz del día o con una buena iluminación artificial.
- ◆ Compruebe siempre que las aberturas de ventilación estén libres de residuos.
- ◆ Utilice únicamente las piezas de repuesto y los accesorios recomendados por el fabricante.
- ◆ Inspeccione y realice periódicamente el mantenimiento de la máquina. Lleve a reparar la máquina únicamente a un centro de reparación autorizado.

## Seguridad de otras personas

- ◆ Este aparato puede ser utilizado por niños a partir de los 8 años y personas con capacidades físicas, sensoriales o mentales reducidas o falta de experiencia y conocimiento. Si han recibido supervisión o instrucción con respecto al uso del aparato de forma segura y comprenden los riesgos involucrados.
- ◆ Los niños no deben jugar con el aparato. Ningún niño deberá realizar las tareas de limpieza y mantenimiento, salvo que lo hagan bajo supervisión.

## Vibración

Los valores declarados de emisión de vibración indicados en los datos técnicos y la declaración de conformidad se han medido de acuerdo a un método de prueba estándar contemplado por la EN 60745 y puede utilizarse para comparar una herramienta con otra. El valor declarado de emisión de vibración

también puede utilizarse en una evaluación preliminar de exposición.

**¡Atención!** El valor de emisión de vibración durante el uso real de la herramienta eléctrica puede variar del valor declarado en función del modo de utilización de la herramienta. El nivel de vibración puede aumentar por encima del valor indicado.

Cuando se evalúe la exposición a la vibración con el fin de determinar las medidas de seguridad exigidas por la 2002/44/CE para proteger a las personas que utilizan herramientas eléctricas en su empleo con regularidad, una estimación de la exposición a la vibración debe considerar las condiciones reales de uso y la forma en que se utiliza la herramienta, teniendo en cuenta incluso todas las partes del ciclo de trabajo como los momentos en que la herramienta se apaga y cuando está conectada sin funcionar además del tiempo de accionamiento.

## Etiquetas sobre la herramienta

Los siguientes pictogramas junto con el código de fecha se muestran en la herramienta:



**¡Atención!** Para reducir el riesgo de lesiones, el usuario debe leer el manual de instrucciones.



Lleve gafas de cristal inastillable o protectora cuando utilice esta herramienta.



No exponga la herramienta a lluvia o humedad elevada.



Tenga cuidado con las cuchillas afiladas. Las cuchillas continúan girando después de apagar el motor.



Esté atento a los objetos volantes. Mantenga alejados a los transeúntes.



Electrodoméstico de clase III.



Directiva 2000/14/CE sobre la potencia acústica garantizada.

## Instrucciones de seguridad adicionales para baterías y cargadores

### Baterías

- ◆ Nunca, por ningún motivo, trate de abrir las baterías.
- ◆ No exponga la batería al agua.
- ◆ No la almacene en lugares donde la temperatura pueda sobrepasar los 40° C.
- ◆ Cargue las baterías únicamente a temperaturas entre 10° y 40° C.
- ◆ Recargue únicamente utilizando el cargador suministrado con el aparato/la herramienta. Si se utiliza un cargador no adecuado podría producirse una descarga eléctrica o un sobrecalentamiento de la batería.
- ◆ Cuando deseche las baterías, siga las instrucciones indicadas en la sección "Protección del medio ambiente".

- ◆ No dañe/deforme la batería mediante perforaciones o impactos, ya que esto puede generar un riesgo de lesiones e incendio.
- ◆ No cargue una batería que haya sufrido daños.
- ◆ Bajo condiciones extremas, las baterías podrían perder líquido. Cuando observe la presencia de líquido en las baterías, limpie éste con cuidado utilizando un paño. Evite el contacto con la piel.
- ◆ En caso de producirse contacto con la piel o los ojos, siga estas instrucciones.

**¡Atención!** El líquido de las baterías puede provocar lesiones personales o daños materiales. En caso de que entre en contacto con la piel, lávese inmediatamente con agua.

En caso de producirse enrojecimiento, dolor o irritación, acuda a un médico. En caso de contacto con los ojos, enjuáguelos inmediatamente con agua limpia y acuda al médico.

### Cargadores

El cargador ha sido diseñado para una tensión determinada. Compruebe siempre que la tensión de la red corresponda al valor indicado en la placa de características.

- ¡Atención!** Nunca intente sustituir el cargador por un enchufe normal a la red.
- ◆ Use el cargador BLACK+DECKER únicamente para cargar baterías del tipo suministrado. Otras baterías

podrían estallar, causando daños y lesiones personales.

- ◆ Nunca intente cargar baterías no recargables.
- ◆ Si el cable eléctrico está estropeado, debe ser sustituido por el fabricante o un servicio técnico autorizado de BLACK+DECKER con el fin de evitar accidentes.
- ◆ No exponga el cargador al agua.
- ◆ No abra el cargador.
- ◆ No manipule el cargador.
- ◆ El aparato/la herramienta/la batería debe colocarse en un lugar bien ventilado durante la carga.



Este adaptador está pensado únicamente para utilizarse en un lugar interior.



Lea el manual de instrucciones antes de usar el producto.

## Seguridad eléctrica



El cargador lleva un doble aislamiento; por lo tanto no requiere una toma a tierra. Compruebe siempre que la tensión de la red corresponda al valor indicado en la placa de características.

- ◆ Si el cable eléctrico está estropeado, debe ser sustituido por el fabricante o un servicio técnico autorizado de BLACK+DECKER con el fin de evitar accidentes.

- ◆ **¡Atención!** No intente nunca sustituir el cargador por un enchufe normal a la red.

### Características

1. Interruptor de encendido/apagado
2. Botón de desbloqueo
3. Botón de liberación de la cuchilla
4. Cuchilla de podadora (GSL200/GSL360/GSL700)
5. Cuchilla de recortabordes (GSL300/GSL360/GSL700)
6. Indicador de carga

### Montaje

**¡Atención!** Evite la puesta en marcha accidental de la herramienta durante su montaje.

### Instalación del soporte mural en la pared (fig. A & B)

El soporte mural puede instalarse en la pared para tener un lugar de almacenamiento cómodo y un punto de carga para la herramienta.

- ◆ Atornille a la pared por los orificios en las ranuras del soporte mural.
- ◆ Coloque la herramienta en el soporte mural.
- ◆ Enchufe el cargador asegurándose de que el indicador de carga (6) se encienda (fig. A).
- ◆ En caso necesario, utilice los dos colgadores (7) debajo del soporte mural para almacenar la cuchilla de repuesto (fig. B).

**¡Atención!** Evite dañar el cable eléctrico al montar el soporte mural en la pared.

### Retirada del enchufe del cargador del soporte mural (fig. C)

La herramienta puede cargarse sin utilizar el soporte mural. El enchufe del cargador puede conectarse a la herramienta directamente.

- ◆ Retire los tornillos de la parte posterior del soporte mural.
- ◆ Deslice la parte posterior (8) de la parte frontal (9) para abrir el soporte mural.
- ◆ Retire el enchufe del cargador del soporte mural.

### Montaje y desmontaje de la cuchilla (fig. D & E)

La cuchilla de podadora (4) se ha diseñado para el recorte de césped y maleza. La cuchilla de recortabordes (4) se ha diseñado para la poda de setos y arbustos.

- ◆ Retire la cubierta de la cuchilla
- ◆ Empuje y mantenga el botón de liberación de la cuchilla (3) en la dirección de la flecha (fig. D1).
- ◆ Deslice la cubierta de la cuchilla (10) hacia atrás y eleve para sacarla (fig. D2).

- ◆ Baje la hoja en las patillas.
- ◆ Mientras mantiene la cuchilla sobre los pasadores (fig. E1), vuelva a colocar la cubierta de la cuchilla (10) y deslícela hacia delante (fig. E2)..

**Nota:** No es necesario alinear la cuchilla con el pasador de accionamiento ni hacer funcionar el botón de liberación de la cubierta de la cuchilla al volver a instalar la cubierta de la cuchilla.

## Uso

**¡Atención!** Deje que la herramienta funcione a su ritmo. No lo sobrecargue.

## Carga de la batería

La batería debe cargarse antes de usarla por primera vez y siempre que no obtenga la suficiente potencia en trabajos que antes efectuaba con facilidad.

Cuando cargue la batería por primera vez, o después de un prolongado almacenaje, sólo obtendrá una carga del 80%. Después de varios ciclos de carga y descarga, la batería alcanzará su capacidad máxima. Durante la carga, la batería podría calentarse; esto es normal y no indica ningún problema.

**¡Atención!** No cargue la batería a una temperatura ambiente inferior a 10 °C o superior a 40 °C. Temperatura recomendada de carga: aprox. 24 °C.

La herramienta puede dejarse conectada al cargador indefinidamente. Para prolongar la vida de la batería, se recomienda mantener la batería conectada al cargador cuando no se esté usando la herramienta. Cuando la batería está totalmente cargada, el consumo de energía del cargador es nulo.

## Carga con el soporte mural (fig. F)

- ◆ Place the tool on the wall mount (11).
- ◆ Plug in the charger.

## Carga con el enchufe del cargador (fig. G)

El enchufe del cargador se ha diseñado con bloqueos para impedir el uso de un cargador incorrecto.

- ◆ Inserte el enchufe del cargador (12) en el conector de la parte posterior de la herramienta.
- ◆ Enchufe el cargador.

## GSL200/GSL300/GSL360 - Carga de la batería

- ◆ Cargue la batería.

Cuando la batería está cargada, el indicador de carga (6) se enciende. El indicador de carga se apagará cuando la carga se haya completado.

## GSL700 - Carga de la batería

- ◆ Cargue la batería.

Cuando la batería está cargada, el indicador de carga (6) parpadea. El indicador de carga dejará de parpadear cuando la carga se haya completado. El indicador de carga parpadea rápidamente para indicar un problema de carga. Cuando se produzca un problema de carga, conecte la herramienta directamente al enchufe del cargador retirando el soporte mural. Si el problema de carga persiste, el cargador debe desconectarse del suministro de red y llevarse a un centro de servicio técnico autorizado para su reparación.

## Encendido y apagado (fig. H)

### Encendido

- ◆ Empuje y mantenga el botón de desbloqueo (2) a la derecha o la izquierda y posteriormente apriete el interruptor de encendido/apagado (1).
- ◆ Suelte el botón de desbloqueo.

### Apagado

- ◆ Suelte el interruptor de encendido/apagado (1).

**¡Atención!** Nunca intente bloquear el interruptor en la posición de encendido.

## Consejos para un uso óptimo (fig. I & J)

- ◆ Rocíe la hoja con una ligera capa de aceite ligero de uso general antes del primer uso y siempre que las hojas comienzan a mirar seco.

### Corte de césped

- ◆ Para lograr un corte óptimo, corte únicamente el césped que esté seco.
- ◆ Sujete la herramienta como se indica en la fig. I1 & I2. Mantenga la otra mano bien alejada de la cuchilla. Mantenga una posición de trabajo estable de forma que no se resbale. Sea precavido.
- ◆ Cuando corte un césped alto, realice el trabajo por etapas empezando por la parte superior. Haga cortes pequeños.
- ◆ Mantenga la herramienta alejada de objetos duros y plantas delicadas.
- ◆ Si la herramienta empieza a funcionar lentamente, reduzca la carga.
- ◆ Para un corte más apurado, incline ligeramente la herramienta.

### Podado de setos

- ◆ Incline un poco la herramienta (unos 15° en relación con la línea de corte) de forma que las puntas de las cuchillas apunten ligeramente hacia el seto (fig. J1). Esto hará que las cuchillas corten con mayor efectividad.
- ◆ Comience recortando la parte superior del seto. Sujete la herramienta en el ángulo deseado y muévela con firmeza

a lo largo de la línea de corte (fig. J2). La cuchilla de doble filo le permite cortar en cualquier dirección.

- ◆ Para lograr un corte muy recto, coloque un cordel a lo largo del seto a la altura deseada. Use el cordel como guía, cortando justo por encima del mismo.
- ◆ Para lograr unos lados lisos, corte hacia arriba en el sentido del crecimiento. Los tallos más jóvenes se mueven hacia fuera cuando la cuchilla corta hacia abajo, ocasionando parches superficiales en el seto.
- ◆ Evite los objetos extraños. En particular, evite los objetos duros como el alambre y las rejas ya que se pueden dañar las cuchillas.
- ◆ Engrase periódicamente las cuchillas.

### Cuando igualar el seto

- ◆ Como regla general, los setos y arbustos de hoja caduca (que sale todos los años) se deben igualar en junio y en octubre.
- ◆ Los setos de hoja perenne se deben igualar en abril y en agosto.
- ◆ Las coníferas y otros arbustos de crecimiento rápido se deben igualar cada 6 semanas aproximadamente, a partir de mayo.

### Mantenimiento

El aparato/la herramienta BLACK+DECKER con cable/sin cable se ha diseñado para funcionar durante un largo período de tiempo con un mantenimiento mínimo. El funcionamiento satisfactorio continuado depende de un cuidado apropiado y una limpieza periódica de la herramienta.

**¡Atención!** Antes de realizar tareas de mantenimiento en herramientas eléctricas con/sin cable:

- ◆ Apague y desenchufe el aparato/la herramienta.
- ◆ O apague y retire la batería del aparato/la herramienta si el aparato/la herramienta tiene una batería aparte.
- ◆ O agote totalmente la batería si está integrada y, a continuación, apague.
- ◆ Desenchufe el cargador antes de limpiarlo. Su cargador no requiere ningún mantenimiento aparte de una limpieza periódica.
- ◆ Limpie periódicamente las ranuras de ventilación del aparato/la herramienta/el cargador con un cepillo suave o un paño seco.
- ◆ Limpie periódicamente la carcasa del motor con un paño húmedo. No utilice ninguna sustancia limpiadora abrasiva o que contenga disolventes.
- ◆ Abra periódicamente el portabrocas y golpéelo suavemente para extraer el polvo del interior (si está equipado).
- ◆ Después de usar la herramienta, limpie con cuidado las cuchillas. Una vez limpias, aplique una fina capa de algún

lubricante suave para herramientas para evitar que las cuchillas se oxiden.

### Almacenamiento

Cuando la herramienta no se usa durante varios meses, resulta muy conveniente dejar la batería conectada al cargador. En caso contrario, proceda del modo siguiente:

- ◆ Cargue totalmente la batería.
- ◆ Guarde la herramienta y la batería en un lugar seco y seguro. La temperatura de almacenaje debe permanecer siempre entre +5° y +40° C.
- ◆ Antes de volver a usar la herramienta tras un almacenamiento prolongado, cargue de nuevo totalmente la batería.

### Protección del medio ambiente



Recogida selectiva. Los productos y las baterías marcadas con este símbolo no se deben eliminar con la basura doméstica normal.

Los productos y las baterías que contienen materiales que se puedan recuperar o reciclar reducen la demanda de materias primas. Recicle los productos eléctricos y las baterías de conformidad con la normativa local. Puede obtener más información en [www.2helpU.com](http://www.2helpU.com)

### Datos técnicos

		GSL200 (H1)	GSL300 (H1)
Voltaje	V <sub>DC</sub>	3.6	3.6
Cortes de la cuchilla (sin carga)	min <sup>-1</sup>	850	850
Longitud de la cuchilla (podadora)	cm	10	-
Separación de la cuchilla (podadora)	mm	23	-
Longitud de la cuchilla (recortabordes)	cm	-	15
Separación de la cuchilla (recortabordes)	mm	-	8
Tiempo de frenado de la cuchilla	s	< 1	< 1
Peso	kg	0.65	0.65



Estos productos también cumplen con las Directivas 2006/42/EC, 2014/30/UE and 2011/65/UE.

Si desea obtener más información, póngase en contacto con Black & Decker Europe a través de la siguiente dirección o consulte el dorso del manual.

El abajofirmante es responsable de la compilación del archivo técnico y hace esta declaración en nombre de Black & Decker.



Ray Laverick  
Director of Engineering  
Black & Decker Europe, 210 Bath Road, Slough,  
Berkshire, SL1 3YD  
Reino Unido  
24/07/2018

## Garantía

Black & Decker confía en la calidad de sus productos y ofrece a los consumidores una garantía de 24 meses a partir de la fecha de compra. Esta garantía es adicional a sus derechos legales y no los menoscaba en modo alguno. La garantía es válida dentro de los territorios de los Estados Miembros de la Unión Europea y del Área de Libre Comercio Europea.

Para reclamar la garantía, la reclamación se debe presentar de conformidad con las condiciones de Black & Decker. Tendrá que adjuntar un justificante de compra al vendedor o al agente técnico autorizado. Las condiciones de la garantía de 2 años de Black & Decker y la ubicación de su agente técnico autorizado más cercano se pueden obtener en Internet en [www.2helpU.com](http://www.2helpU.com) o poniéndose en contacto con su oficina local de Black & Decker en la dirección que se indica en este manual.

Visite nuestro sitio web [www.blackanddecker.co.uk](http://www.blackanddecker.co.uk) para registrar su nuevo producto Black & Decker y recibir noticias sobre nuevos productos y ofertas especiales.

GSL360 (H1)		GSL700 (H1)	
Voltaje	V <sub>DC</sub>	3.6	7.0
Cortes de la cuchilla (sin carga)	min <sup>-1</sup>	850	850
Longitud de la cuchilla (podadora)	cm	10	10
Separación de la cuchilla (podadora)	mm	23	23
Longitud de la cuchilla (recortabordes)	cm	15	15
Separación de la cuchilla (recortabordes)	mm	8	8
Tiempo de frenado de la cuchilla	s	< 1	< 1
Peso	kg	0.65	0.65

Cargador		905450xx	905527xx
		9062xxxx	9062xxxx
Tensión de la red	V <sub>AC</sub>	230	230
Voltaje de salida	V <sub>DC</sub>	9	10
Amperaje	mA	100	120
Tiempo aproximado de carga	h	19	14
Peso	kg	0.15	0.15

### Nivel de presión acústica de acuerdo con la norma EN 60745:

Presión acústica (L<sub>pa</sub>) 66 dB(A), incertidumbre (K) 3 dB(A)

Potencia acústica (L<sub>WA</sub>) 77 dB(A), incertidumbre (K) 3 dB(A)

### Valores totales de vibración (suma vectorial triaxial) de acuerdo con la directiva EN 60745:

Valor de emisión de vibración (a<sub>v</sub>) 3.1 m/s<sup>2</sup>, incertidumbre (K) 1.5 m/s<sup>2</sup>

## Declaración de conformidad CE

DIRECTIVA SOBRE MÁQUINAS  
DIRECTIVA SOBRE EMISIONES SONORAS EN EL ENTORNO



GSL200/GSL300/GSL360/GSL700 - Tijera-arreglasetos

Black & Decker declara que los productos descritos en "características técnicas" son conformes con: EN60745-1:2009+A11:2010, EN60745-2-15:2009+A1:2010

2000/14/EC, Recortabordes, anexo V  
Nivel de potencia acústica de conformidad con (5)  
2000/14/EC (Artículo 13):

L<sub>WA</sub> (potencia acústica medida) 77 dB(A)

L<sub>WA</sub> (potencia acústica garantizada) 87 dB(A)

## Utilização

A tesoura/podador BLACK+DECKER™ GSL200, GSL300, GSL360, GSL700 foi concebido para aparar relva, sebes, arbustos e silvas. Esta ferramenta destina-se apenas a utilização doméstica.

O seu carregador BLACK+DECKER foi concebido para carregar as baterias BLACK+DECKER do tipo fornecido com esta ferramenta.

## Instruções de segurança

### Avisos de segurança gerais para ferramentas eléctricas



**Advertência! Leia todos os avisos de segurança e instruções.** O não cumprimento dos avisos e instruções a seguir pode resultar em choque eléctrico, incêndio e/ou graves lesões.

**Guarde todos os avisos e instruções para futura referência.** O termo "ferramenta eléctrica", utilizado nas advertências que se seguem, refere-se a ferramentas eléctricas com ligação à corrente eléctrica (com fios) ou operadas a pilha (sem fios).

#### 1. Segurança na área de trabalho

##### a. Mantenha a sua área de trabalho

**limpa e bem iluminada.** Desordem ou áreas de trabalho com fraca iluminação podem causar acidentes.

**b. Não utilize ferramentas eléctricas em áreas com risco de explosão, nas quais se encontrem líquidos, gases ou pós inflamáveis.** As ferramentas eléctricas produzem

faíscas que podem provocar a ignição de pó e vapores.

##### c. Mantenha crianças e outras pessoas afastadas durante a utilização de ferramentas eléctricas.

As distrações podem dar origem a que perca o controlo da ferramenta.

#### 2. Segurança eléctrica

**a. A ficha da ferramenta eléctrica deve caber na tomada. A ficha não deve ser modificada de modo algum. Não utilize quaisquer fichas de adaptação com ferramentas eléctricas ligadas à terra.** Fichas inalteradas e tomadas adequadas reduzem o risco de choques eléctricos.

**b. Evite que o corpo entre em contacto com superfícies ligadas à terra, como por exemplo tubos, radiadores, fogões e frigoríficos.** Há um risco elevado de choques eléctricos, caso o corpo seja ligado à terra.

**c. As ferramentas eléctricas não devem ser expostas à chuva nem a humidade.** A penetração de água numa ferramenta eléctrica aumenta o risco de choques eléctricos.

**d. Manuseie o cabo com cuidado. O cabo da ferramenta não deve ser utilizado para o transporte, para puxar a ferramenta, nem para retirar a ficha da tomada. Mantenha o cabo afastado de calor, óleo, cantos afiados ou peças em movimento.** Cabos danificados ou torcidos

aumentam o risco de choques eléctricos.

- e. **Ao trabalhar com a ferramenta eléctrica ao ar livre, use um cabo de extensão apropriado para utilização no exterior.** O uso de um cabo apropriado para utilização no exterior reduz o risco de choques eléctricos.
- f. **Quando a utilização de uma ferramenta eléctrica num local húmido é inevitável, utilize uma fonte de alimentação protegida com um dispositivo de corrente residual (RCD).** A utilização de um RCD reduz o risco de choques eléctricos.

### 3. Segurança pessoal

- a. **Mantenha-se atento, observe o que está a fazer e seja prudente durante a utilização de uma ferramenta eléctrica. Não use a ferramenta eléctrica se estiver cansado ou sob a influência de drogas, álcool ou medicamentos.** Um momento de falta de atenção durante a utilização de ferramentas eléctricas pode causar graves lesões.
- b. **Use equipamento de protecção pessoal. Utilize sempre óculos de protecção.** A utilização de equipamento de protecção pessoal, como por exemplo, máscara de protecção contra pó, sapatos de segurança antiderrapantes, capacete de segurança ou protecção auricular, de acordo com o tipo e aplicação da ferramenta eléctrica, reduz o risco de lesões.
- c. **Evite o accionamento involuntário. Certifique-se de que o interruptor está na posição desligada antes de ligar a ferramenta à corrente eléctrica ou a uma bateria, antes de elevar ou transportar a mesma.** O transporte de ferramentas eléctricas com o dedo no interruptor ou a ligação das mesmas à corrente eléctrica com o interruptor ligado provoca acidentes.
- d. **Retire eventuais chaves de ajuste ou chaves de fenda, antes de ligar a ferramenta eléctrica.** Uma chave de fenda ou chave de ajuste, que se encontre numa peça móvel da ferramenta, pode dar origem a lesões.
- e. **Não se incline. Mantenha-se sempre bem posicionado e em equilíbrio.** Desta forma, poderá ser mais fácil controlar a ferramenta em situações inesperadas.
- f. **Utilize vestuário adequado. Não utilize roupas largas nem jóias. Mantenha o cabelo, roupa e luvas afastados de peças em movimento.** Roupas largas, jóias ou cabelos longos podem ser ficar presos nas peças em movimento.
- g. **Se for prevista a montagem de dispositivos de extracção e recolha de pó, assegure-se de que estão ligados e que são utilizados de forma correcta.** A utilização destes dispositivos reduz os riscos provocados por pó.
- h. **Não permita que o facto de estar familiarizado com a utilização frequente das ferramentas o torne**

**complacente e ignore os princípios de segurança da ferramenta.** Uma acção irreflectida pode causar ferimentos numa fracção de segundos.

#### **4. Utilização e manutenção da ferramenta eléctrica**

##### **a. Não sobrecarregue a ferramenta eléctrica. Utilize a ferramenta eléctrica correcta para o trabalho que irá realizar.**

A ferramenta correcta realizará o trabalho de forma melhor e mais segura dentro da potência indicada.

##### **b. Não utilize a ferramenta eléctrica se o interruptor não puder ser ligado nem desligado.**

Qualquer ferramenta eléctrica que não possa ser controlada através do interruptor é perigosa e deve ser reparada.

##### **c. Desligue a ficha da tomada e/ou a bateria da ferramenta eléctrica antes de efectuar quaisquer ajustes, substituir acessórios ou armazenar a ferramenta eléctrica.**

Esta medida de segurança evita que a ferramenta eléctrica seja ligada acidentalmente.

##### **d. Mantenha as ferramentas eléctricas que não estiverem a ser utilizadas fora do alcance de crianças. Não permita que a ferramenta seja utilizada por pessoas não familiarizadas com a mesma ou que não tenham lido estas instruções.**

As ferramentas eléctricas são perigosas se utilizadas por pessoas não qualificadas.

##### **e. Efectue a manutenção das ferramentas eléctricas. Verifique se as peças móveis funcionam perfeitamente e não emperram, bem como se há peças quebradas ou danificadas que possam influenciar o funcionamento da ferramenta. Em caso de danos, solicite a reparação da ferramenta eléctrica antes da sua utilização.**

Muitos acidentes têm como causa uma manutenção insuficiente das ferramentas eléctricas.

##### **f. Mantenha as ferramentas de corte sempre afiadas e limpas.**

As ferramentas de corte, sujeitas a uma manutenção adequada e com extremidades de corte afiadas, emperram com menos frequência e podem ser controladas com maior facilidade.

##### **g. Utilize a ferramenta eléctrica, os acessórios e as brocas da ferramenta etc., de acordo com estas instruções. Considere também as condições de trabalho e o trabalho a ser efectuado.**

A utilização da ferramenta eléctrica para outros fins que não os previstos pode resultar em situações perigosas.

##### **h. Mantenha os punhos e as pegas de fixação secos, limpos e sem qualquer óleo ou gordura.**

Se tiver as mãos escorregadias e as superfícies com gordura, isso não permite um manuseamento e controlo seguros da ferramentas em situações inesperadas.

## 5. Utilização e manutenção da bateria

- a. **Recarregue apenas com o carregador especificado pelo fabricante.** Um carregador que seja adequado a um tipo de bateria pode causar risco de incêndio quando utilizado noutra tipo de bateria.
- b. **Utilize as ferramentas eléctricas apenas com as baterias especificamente designadas.** A utilização de outro tipo de bateria pode causar risco de lesões ou incêndio.
- c. **Quando a bateria não está a ser utilizada, mantenha-a afastada de quaisquer outros objectos metálicos, como clips de papel, moedas, chaves, pregos, parafusos ou outros objectos metálicos pequenos que possam efectuar a ligação de um terminal para outro.** O contacto de ambos os terminais da bateria pode causar queimaduras ou incêndio.
- d. **Em condições abusivas, o líquido pode ser ejectado da pila; evite o contacto. Caso isso aconteça, passe por água. Caso o líquido entre em contacto com os olhos, procure ajuda médica.** O líquido ejectado da pilha pode causar irritação ou queimaduras.
- e. **Não utilize uma bateria ou uma ferramenta que esteja danificada ou modificada.** As baterias danificadas ou modificadas podem ter um comportamento imprevisível, podendo dar origem a um incêndio, explosão ou risco de ferimentos.

- f. **Não exponha a bateria ou ferramenta ao fogo ou excesso de temperatura.** A exposição ou uma temperatura superior a 130 °C pode dar origem a uma explosão.
- g. **Siga todas as instruções de carregamento e não carregue a bateria ou a ferramenta fora da gama de temperaturas especificadas nas instruções.** Se o carregamento não for efectuado correctamente ou se a temperatura não estiverem de acordo com o limite especificado, a bateria pode ficar danificada e há um maior risco de incêndio.

## 6. Reparação

- a. **A sua ferramenta eléctrica só deve ser reparada por pessoal qualificado e só devem ser colocadas peças sobressalentes originais.** Desta forma, é assegurada a segurança da ferramenta eléctrica.
- b. **Nunca repare baterias danificadas.** A reparação de baterias só deve ser efectuada pelo fabricante ou por fornecedor de serviços autorizado.

## Avisos de segurança adicionais para ferramentas eléctricas



**Advertência!** Avisos de segurança adicionais para corta-sebes

- ◆ **Mantenha todas as partes do corpo afastadas da lâmina de corte. Não retire material cortado nem segure no material a cortar enquanto as**

**lâminas estiverem em movimento.**

**Assegure-se de que o interruptor está desligado antes de proceder à remoção de material encravado.**

Um momento de falta de atenção durante a utilização do corta-sebes pode causar graves ferimentos pessoais.

◆ **Transporte o corta-sebes pelo punho com a lâmina de corte parada.**

**Para transportar ou armazenar o corta-sebes, coloque sempre a tampa do dispositivo de corte.** Um manuseamento correcto do corta-sebes irá reduzir possíveis ferimentos pessoais causados pelas lâminas de corte.

◆ Mantenha o cabo afastado da área de corte. Durante o funcionamento, o cabo poderá ficar coberto por arbustos, podendo ser acidentalmente cortado pela lâmina.

◆ Segure apenas a ferramenta eléctrica pelas superfícies de pega isoladas, porque a lâmina de corte pode tocar em cabos ocultos. O contacto das lâminas de corte com um cabo com tensão pode colocar as partes metálicas da ferramenta eléctrica sob tensão e resultar em choque eléctrico no operador.

◆ Neste manual indicam-se as aplicações do aparelho. O uso de qualquer acessório, extensão ou da própria ferramenta para realizar quaisquer operações além das recomendadas neste manual de instruções pode dar origem a ferimentos e/ou danos em bens.

- ◆ Se não utilizou um corta-sebes anteriormente, é preferível que peça instruções sobre a utilização a um utilizador experimentado além de estudar este manual.
- ◆ Nunca toque nas lâminas enquanto a ferramenta estiver a funcionar.
- ◆ Nunca tente forçar a paragem das lâminas.
- ◆ Não largue a ferramenta enquanto as lâminas não estiverem completamente paradas.
- ◆ Verifique regularmente se as lâminas estão danificadas ou desgastadas. Não utilize a ferramenta quando as lâminas estiverem danificadas.
- ◆ Tome cuidado para evitar objectos rígidos (ex. cabo de metal, grades) enquanto estiver a cortar. Se atingir acidentalmente tais objectos, desligue imediatamente ferramenta e verifique se há algum dano.
- ◆ Se a ferramenta começar a vibrar de maneira anormal, desligue-a imediatamente e verifique se há algum dano.
- ◆ Se a ferramenta parar, desligue-a imediatamente.
- ◆ Após o uso, coloque o estojo da lâmina fornecido sobre as lâminas. Ao guardar a ferramenta, certifique-se de que a lâmina não fica exposta.
- ◆ Assegure-se sempre de que todos os resguardos estão encaixados antes de utilizar a ferramenta. Nunca tente utilizar ferramentas incompletas ou que contenham modificações não autorizadas.

- ◆ Não deixe que as crianças utilizem a ferramenta.
- ◆ Tenha em atenção a queda de detritos aquando do corte de sebes grandes.

## Avisos de segurança adicionais para ferramentas eléctricas



### **Advertência!** Avisos de segurança adicionais para aparadores

- ◆ Nunca permita que pessoas não familiarizadas com estas instruções ou crianças utilizem a máquina. Os regulamentos locais poderão limitar a idade do utilizador.
- ◆ Lembre-se que o operador ou utilizador poderá ser responsabilizado por acidentes ou danos causados a outras pessoas ou aos respectivos bens.
- ◆ Nunca utilize a máquina na presença de outras pessoas, em especial perto de crianças ou animais.
- ◆ Utilize a máquina apenas durante o dia ou com boa iluminação artificial.
- ◆ Certifique-se sempre de que as ranhuras de ventilação estão limpas.
- ◆ Utilize apenas peças de reposição e acessórios recomendados pelo fabricante.
- ◆ Proceda à inspecção e manutenção regulares da máquina. Solicite a reparação da máquina apenas a um reparador autorizado.

## Segurança de terceiros

- ◆ Este aparelho pode ser utilizado por crianças a partir dos 8 anos de idade e por pessoas com capacidades físicas, sensitivas ou mentais reduzidas ou com falta de experiência e conhecimento. Desde que tenham recebido supervisão ou instruções em relação à utilização do aparelho de forma segura e entendam os perigos envolvidos.
- ◆ As crianças não deverão mexer no aparelho. A limpeza e manutenção não deverão ser efectuadas por crianças sem supervisão.

## Vibração

Os valores de emissão de vibrações declarados, indicados nos dados técnicos e na declaração de conformidade, foram medidos de acordo com um método de teste padrão providenciado por EN 60745 e podem ser utilizados para efectuar a comparação entre ferramentas. O valor de emissão de vibrações declarado pode também ser utilizado numa avaliação preliminar da exposição.

**Advertência!** O valor de emissão de vibrações durante a utilização da ferramenta eléctrica pode divergir do valor declarado, dependendo do modo como a ferramenta é utilizada. O nível de vibrações pode aumentar relativamente ao nível indicado.



Durante a avaliação da exposição a fim de determinar as medidas de segurança requeridas pela directiva 2002/44/CE para a protecção de pessoas que utilizam regularmente ferramentas eléctricas nas respectivas profissões, o cálculo da exposição a vibrações deve considerar as condições reais de utilização e a forma como a ferramenta é utilizada, incluindo a consideração de todas as partes do ciclo de utilização como, por exemplo, as vezes que a ferramenta é desligada e o tempo em que se encontra a funcionar sem carga para além do tempo de accionamento.

## Etiquetas da ferramenta

Os seguintes pictogramas, juntamente com o código de data são mostrados na ferramenta:



**Advertência!** Para reduzir o risco de ferimentos, o utilizador deve ler o manual de instruções.



Utilize óculos de segurança durante o funcionamento da ferramenta.



Não exponha a ferramenta à chuva e humidade excessiva.



Tenha atenção às lâminas afiadas. As lâminas continuam a rodar depois de o motor ser desligado.



Tenha atenção a objectos projectados pelo ar. Mantenha as outras pessoas afastadas.



Aparelho de classe III.



A potência sonora cumpre a Directiva 2000/14/CE.

## Instruções de segurança adicionais para baterias e carregadores

### Baterias

- ◆ Nunca tente abrir a bateria seja qual for a razão.
- ◆ Não deixe que a bateria entre em contacto com a água.
- ◆ Não armazene em locais onde a temperatura possa exceder 40 °C.
- ◆ Carregue somente à temperatura ambiente, entre 10 e 40 °C.
- ◆ Carregue utilizando apenas o carregador fornecido com o aparelho/ferramenta. A utilização do carregador errado poderá resultar em choque eléctrico ou sobreaquecimento da bateria.
- ◆ Siga as instruções fornecidas na secção "Protecção do meio ambiente" quando desejar desfazer-se das baterias.
- ◆ Não danifique nem deforme a bateria através de perfuração ou impacto pois tal pode causar risco de ferimentos ou incêndio.
- ◆ Não carregue baterias danificadas.
- ◆ Sob condições extremas, é possível que a bateria apresente fugas. Quando notar que há líquido nas baterias, limpe-o cuidadosamente

utilizando um pano. Evite o contacto com a pele.

- ◆ Em caso de contacto com a pele ou com os olhos, siga as instruções abaixo.

**Advertência!** O líquido da bateria pode causar ferimentos pessoais ou danos em bens. Em caso de contacto com a pele, lave imediatamente com água. Em caso de vermelhidão, dor ou irritação, consulte um médico. Em caso de contacto com os olhos, enxagúe imediatamente com água limpa e consulte um médico.

## Carregadores

O seu carregador foi concebido para uma tensão de rede específica. Verifique sempre se a tensão eléctrica corresponde à indicada na placa de especificações.

**Advertência!** Nunca tente substituir o carregador por uma tomada normal.

- ◆ Utilize o seu carregador BLACK+DECKER apenas para carregar as baterias do tipo fornecido com a sua ferramenta. Outras baterias poderiam explodir, causando ferimentos pessoais e danos.
- ◆ Nunca tente carregar baterias não recarregáveis.
- ◆ Se o cabo de alimentação estiver danificado, deverá ser substituído pelo fabricante ou por um Centro de Assistência autorizado pela BLACK+DECKER, de modo a evitar riscos.

- ◆ Não deixe que o carregador entre em contacto com a água.
- ◆ Não abra o carregador.
- ◆ Não submeta o carregador a testes.
- ◆ O aparelho/ferramenta/bateria deve ser colocado/a numa área bem ventilada enquanto carrega.



O carregador deverá ser utilizado apenas em espaços interiores.



Antes da utilização, leia o manual de instruções.

## Segurança eléctrica



O seu carregador está duplamente isolado, pelo que não é necessário fio de terra. Verifique sempre se a tensão eléctrica corresponde à indicada na placa de especificações.

- ◆ Se o cabo de alimentação estiver danificado, deverá ser substituído pelo fabricante ou por um Centro de Assistência autorizado pela BLACK+DECKER, de modo a evitar riscos.
- ◆ **Advertência!** Nunca tente substituir o carregador por uma tomada normal.

## Características

1. Interruptor de ligar/desligar
2. Botão de travamento
3. Botão de libertação da lâmina
4. Lâmina de aparador (GSL200/GSL360/GSL700)
5. Lâmina de cortador (GSL300/GSL360/GSL700)
6. Indicador de carga

## Montagem

**Advertência!** Evite ligar a ferramenta acidentalmente durante a montagem.

### Aplicação do suporte de parede na parede (fig. A & B)

O suporte de parede pode ser aplicado na parede de modo a obter-se um meio de armazenagem e um ponto de carregamento convenientes para a ferramenta.

- ◆ Coloque os parafusos através dos orifícios existentes nas fendas do suporte de parede e aperte-os à parede.
- ◆ Coloque a ferramenta no suporte de parede.
- ◆ Ligue o carregador, certificando-se de que o indicador de carga (6) se acende (fig. A).
- ◆ Se necessário, utilize os dois pinos (7) abaixo do suporte de parede para guardar a lâmina sobressalente (fig. B).

**Advertência!** Evite danificar o cabo de alimentação ao montar o suporte de parede na parede.

### Remoção da ficha do carregador do suporte de parede (fig. C)

A ferramenta pode ser carregada sem utilizar o suporte de parede. A ficha do carregador pode ser ligada directamente à ferramenta.

- ◆ Retire os parafusos da parte de trás do suporte de parede.
- ◆ Afaste a parte de trás (8), fazendo-a deslizar da parte da frente (9) para abrir o suporte de parede.
- ◆ Retire a ficha do carregador do suporte de parede.

### Colocação e remoção da lâmina (fig. D & E)

A sua lâmina de aparador (4) foi concebida para cortar relva e ervas daninhas. A sua lâmina de cortador (5) foi concebida para cortar sebes e arbustos.

- ◆ Retire a protecção da lâmina.
- ◆ Prima e mantenha premido o botão de libertação da lâmina (3) na direcção da seta (fig. D1).
- ◆ Empurre a protecção da lâmina (10) para trás e levante-a (fig. D2).
- ◆ Abaixe a lâmina sobre os pinos.
- ◆ Mantendo a lâmina sobre os pernos (fig. E1), volte a colocar a protecção da lâmina (10) e empurre-a para a frente (fig. E2).

**Nota:** Não é necessário alinhar a lâmina com o pino-guia nem é necessário accionar o botão de libertação da protecção ao recolocar a protecção da lâmina.

## Utilização

**Advertência!** Deixe que a ferramenta funcione à vontade. Não o sobrecarregue.

## Carregar a bateria

A bateria precisa ser carregada antes da primeira utilização e sempre que falhe em produzir potência suficiente para realizar trabalhos que antes eram facilmente realizados.

Quando estiver a carregar a bateria pela primeira vez, ou após armazenamento prolongado, ela aceitará somente 80% da carga. Após vários ciclos de carga e descarga, a bateria atingirá sua capacidade total. A bateria pode ficar quente enquanto estiver a carregar; isto é normal e não indica um problema.

**Advertência!** Não carregue a bateria a temperaturas ambientes inferiores a 10 °C ou superiores a 40 °C. A temperatura recomendada para carregar é de aproximadamente 24 °C.

Pode-se deixar a ferramenta ligada ao carregador indefinidamente. Para aumentar a vida útil da bateria, recomenda-se mantê-la ligada ao carregador sempre que a ferramenta não estiver a ser utilizada. Quando a bateria estiver carregada, o consumo de energia do carregador é insignificante.

### Carregamento com o suporte de parede (fig. F)

- ◆ Coloque a ferramenta no suporte de parede (11).
- ◆ Ligue o carregador.

### Carregamento com a ficha do carregador (fig. G)

A ficha do carregador possui um sistema de bloqueio que evita a utilização de um carregador incorrecto.

- ◆ Insira a ficha do carregador (12) no conector do carregador na parte de trás da ferramenta.
- ◆ Ligue o carregador.

### GSL200/GSL300/GSL360 - Carregamento da bateria

- ◆ Carregue a bateria.

Quando a bateria está a carregar, o indicador de carga (6) acende-se. O indicador de carga desliga-se no final do carregamento.

### GSL700 - Carregamento da bateria

- ◆ Carregue a bateria.

Quando a bateria está a carregar, o indicador de carga (6) pisca. O indicador de carga pára de piscar no final do carregamento. O indicador de carga pisca rapidamente para indicar um problema ao nível do carregamento. Quando ocorre um problema com o carregamento, deverá ligar a ferramenta directamente à ficha do carregador, retirando o suporte de parede. Se o problema de carregamento continuar, o carregador deve ser desligado da fonte de alimentação de rede e levado para ser reparado num centro de assistência autorizado.

## Como ligar e desligar a ferramenta (fig. H)

### Activação

- ◆ Prima e mantenha premido o botão de travamento (2) para a direita ou para a esquerda e prima o interruptor de ligar/desligar (1).
- ◆ Solte o botão de travamento.

### Desactivação

- ◆ Solte o interruptor de ligar/desligar (1).

**Advertência!** Nunca tente bloquear o interruptor na posição de ligado.

## Sugestões para uma melhor utilização (fig. I & J)

- ◆ Pulverizar a lâmina com uma leve camada de óleo utilização luz geral antes da primeira utilização e sempre que as lâminas começam a olhar seco.

### Corte de relva

- ◆ Para obter óptimos resultados, corte apenas relva seca.
- ◆ Segure a ferramenta conforme ilustrado na fig. I1 & I2. Mantenha as mãos e os pés bem afastados da lâmina. Mantenha uma posição de trabalho estável para evitar cair. Não arisque.
- ◆ Ao cortar relva longa, trabalhe em etapas, partindo do topo. Efectue cortes pequenos.
- ◆ Mantenha a ferramenta afastada de objectos rígidos e plantas delicadas.
- ◆ Se a ferramenta começar a funcionar lentamente, reduza a carga.
- ◆ Para efectuar um corte mais rente, incline levemente a ferramenta.

### Apara de sebes

- ◆ Incline ligeiramente a ferramenta (até 15° relativamente à linha de corte) de maneira que a lâmina se incline ligeiramente em direcção à sebe (fig. J1). Isto fará com que as lâminas cortem mais eficazmente.
- ◆ Comece por cortar o topo da sebe. Segure a ferramenta no ângulo desejado e mova-a firmemente junto à linha de corte (fig. J2). A lâmina de dois lados permite o corte em qualquer direcção.
- ◆ De modo a obter um corte bem recto, estique um pedaço de cordão ao longo do comprimento da sebe na altura desejada. Utilize o cordão como orientação, cortando logo acima dele.
- ◆ De modo a obter lados planos, corte para cima com o crescimento. Os troncos jovens afastam-se quando a lâmina corta para baixo, causando partes rasas na sebe.
- ◆ Tome cuidado para evitar qualquer objecto estranho. Evite especialmente objectos rígidos, tais como cabos de metal e grades, uma vez que estes podem danificar as lâminas.

- ◆ Lubrifique regularmente as lâminas.

### Quando cortar

- ◆ Como guia geral, sebes e arbustos com folhas sazonais (novas todos os anos) podem ser aparadas em Junho e Outubro.
- ◆ As sebes de folha permanente podem ser aparadas em Abril e Agosto.
- ◆ As sebes de crescimento rápido podem ser acertadas de seis em seis semanas, a partir do mês de Maio.

## Manutenção

O aparelho/ferramenta com fios/sem fios da BLACK+DECKER foi desenvolvido/a para funcionar por um longo período de tempo com um mínimo de manutenção. O funcionamento contínuo e satisfatório depende de limpeza regular e de manutenção adequada.

**Advertência!** Antes de realizar qualquer tipo de manutenção em ferramentas eléctricas com fios/sem fios:

- ◆ Desligue o aparelho/ferramenta e retire a ficha da tomada.
- ◆ Ou desligue e retire a bateria do aparelho/ferramenta, caso esta seja fornecida separadamente.
- ◆ Ou descarregue a bateria por completo, caso seja integrada e depois desligue o aparelho/ferramenta.
- ◆ Desligue a ficha do carregador antes de o limpar. O seu carregador não requer qualquer manutenção para além de uma limpeza regular.
- ◆ Limpe regularmente as fendas de ventilação na ferramenta/aparelho/carregador utilizando uma escova macia ou pano seco.
- ◆ Limpe regularmente o compartimento do motor utilizando um pano húmido. Não utilize nenhum detergente abrasivo nem à base de solvente.
- ◆ Abra regularmente o mandril e bata no mesmo para remover qualquer poeira do interior (se equipado).
- ◆ Após a utilização, limpe as lâminas cuidadosamente. Após a limpeza, aplique uma película de óleo de máquina para evitar que as lâminas enferrujem.

## Armazenamento

Caso não vá utilizar a ferramenta por vários meses, o ideal é deixar a bateria ligada ao carregador. Caso contrário, proceda da seguinte forma:

- ◆ Carregue totalmente a bateria.
- ◆ Guarde a ferramenta num local seco e seguro. A temperatura de armazenamento deve permanecer sempre entre +5 °C e +40 °C.
- ◆ Antes de utilizar a ferramenta após um longo período de armazenamento, carregue novamente a bateria.

## Protecção do meio ambiente



Faça uma recolha de lixo selectiva. Os produtos e baterias assinalados com este símbolo não devem ser eliminados em conjunto com resíduos domésticos normais.

Os produtos e baterias contêm materiais que podem ser recuperados ou reciclados, reduzindo a necessidade de matérias-primas. Recicle os produtos eléctricos e as baterias de acordo com as disposições locais. Estão disponíveis mais informações em [www.2helpU.com](http://www.2helpU.com)

## Dados técnicos

		GSL200 (H1)	GSL300 (H1)
Voltagem	V <sub>DC</sub>	3.6	3.6
Movimentos da lâmina (sem carga)	min <sup>-1</sup>	850	850
Comprimento da lâmina (aparador)	cm	10	-
Distância entre lâminas (aparador)	mm	23	-
Comprimento da lâmina (cortador)	cm	-	15
Distância entre lâminas (cortador)	mm	-	8
Tempo de travagem da lâmina	s	< 1	< 1
Peso	kg	0.65	0.65

		GSL360 (H1)	GSL700 (H1)
Voltagem	V <sub>DC</sub>	3.6	7.0
Movimentos da lâmina (sem carga)	min <sup>-1</sup>	850	850
Comprimento da lâmina (aparador)	cm	10	10
Distância entre lâminas (aparador)	mm	23	23
Comprimento da lâmina (cortador)	cm	15	15
Distância entre lâminas (cortador)	mm	8	8
Tempo de travagem da lâmina	s	< 1	< 1
Peso	kg	0.65	0.65

Cargador		905450xx	905527xx 9062xxxx
Voltagem	V <sub>AC</sub>	230	230
Voltagem de saída	V <sub>DC</sub>	9	10
Amperagem	mA	100	120
Tempo aproximado de carregamento	h	19	14
Peso	kg	0.15	0.15

### Nível de pressão acústica de acordo com a norma EN 60745:

Pressão acústica (L<sub>pa</sub>) 66 dB(A), incertidumbre (K) 3 dB(A)

Potência acústica (L<sub>WA</sub>) 77 dB(A), incertidumbre (K) 3 dB(A)

### Valores totais de vibração (soma vetores triaxiais) de acordo com a EN 60745:

Valor de emissão de vibrações (a<sub>v</sub>) 3.1 m/s<sup>2</sup>, incertidumbre (K) 1.5 m/s<sup>2</sup>

## Declaração de conformidade CE

DIRECTIVA MÁQUINAS

DIRECTIVA SOBRE RUÍDO AMBIENTE



GSL200/GSL300/GSL360/GSL700 - Tesoura/podador

A Black & Decker declara que os produtos descritos na secção "dados técnicos" se encontram em conformidade com: EN60745-1:2009+A11:2010, EN60745-2-15:2009+A1:2010

2000/14/EC, Cortador, Anexo V

Nível de potência acústica segundo a directiva (5)

2000/14/EC (Artigo 13):

L<sub>WA</sub> (potência acústica medida) 77 dB(A)

L<sub>WA</sub> (potência acústica garantida) 87 dB(A)

Estes produtos estão também em conformidade com a Directiva 2006/42/EC, 2014/30/UE and 2011/65/UE.

Para obter mais informações, contacte a Black & Decker Europe no endereço indicado ou consulte a parte posterior do manual.

O signatário é responsável pela compilação do ficheiro técnico e apresenta esta declaração em nome da Black & Decker.

Ray Laverick  
Director of Engineering  
Black & Decker Europe, 210 Bath Road, Slough,  
Berkshire, SL1 3YD  
Reino Unido  
24/07/2018

## Garantia

A Black & Decker confia na qualidade dos seus produtos e oferece aos clientes uma garantia de 24 meses a partir da data de compra. Esta garantia é um complemento dos seus direitos estabelecidos por lei, não os prejudicando de forma alguma. A garantia é válida nos Estados-membros da União Europeia e nos países-membros da Zona Europeia de Comércio Livre.

Para accionar a garantia, esta deve estar em conformidade com os termos e condições da Black&Decker e terá de apresentar comprovativos de compra ao vendedor ou a um agente de reparação autorizado. Os termos e condições da garantia de 2 anos da Black&Decker e a localização do agente de reparação autorizado mais próximo pode ser obtido na Internet em [www.2helpU.com](http://www.2helpU.com) ou contactando uma filial da Black & Decker, cuja morada está indicada neste manual.

Visite o nosso Website [www.blackanddecker.co.uk](http://www.blackanddecker.co.uk) para registar o novo produto Black & Decker e manter-se actualizado relativamente a novos produtos e ofertas especiais.

## Användningsområde

Din BLACK+DECKER™ GSL200, GSL300, GSL360, GSL700 trimmer/röjsåg är konstruerad för trimning av gräs, häckar, buskar och törne. Detta verktyg är endast avsett för konsumentanvändning.

Din BLACK+DECKER batteriladdare är avsedd för laddning av BLACK+DECKER-batterier av den typ som medföljer verktyget.

## Säkerhetsregler

### Allmänna säkerhetsvarningar för motordrivna verktyg



**Varning! Läs alla säkerhetsvarningar och alla anvisningar.** Fel som uppstår till följd av att varningarna och anvisningarna nedan inte följts kan orsaka elchock, brand och/eller allvarliga kroppsskador.

**Spara alla varningar och anvisningar för framtida referens.** Nedan använt begrepp "elverktyg" hänför sig till nätdrivna elverktyg (med nätsladd) och till batteridrivna elverktyg (sladdlösa).

#### 1. Säkerhet för arbetsområdet

- a. **Håll arbetsplatsen ren och välbelyst.** Oordning på arbetsplatsen och dåligt belyst arbetsområde kan leda till olyckor.
- b. **Använd inte elverktyget i explosionsfarlig omgivning med brännbara vätskor, gaser eller damm.** Elverktygen alstrar gnistor som kan antända dammet eller gaserna.
- c. **Håll under arbetet med elverktyget barn och obehöriga personer på**

**betryggande avstånd.** Om du störs av obehöriga personer kan du förlora kontrollen över elverktyget.

## 2. Elsäkerhet

**a. Elverktygets stickkontakt måste passa i vägguttaget. Ändra aldrig stickkontakten på något sätt. Använd inte adapterkontakter tillsammans med skyddsjordade elverktyg.** Oförändrade stickkontakter och passande vägguttag minskar risken för elchock.

**b. Undvik kroppskontakt med jordade ytor som t.ex. rör, värmeelement, spisar och kylskåp.** Det finns en större risk för elchock om din kropp är jordad.

**c. Skydda elverktyget mot regn och väta.** Tränger vatten in i ett elverktyg ökar risken för elchock.

**d. Misshandla inte nätsladden. Använd inte sladden för att bära eller hänga upp elverktyget och inte heller för att dra stickproppen ur vägguttaget. Håll nätsladden på avstånd från värme, olja, skarpa kanter och rörliga maskindelar.** Skadade eller tilltrasslade sladdar ökar risken för elchock.

**e. Använd endast förlängningssladdar som är godkända för utomhusbruk när du arbetar med ett elverktyg utomhus.** Om en förlängningssladd avsedd för utomhusbruk används minskar risken för elchock.

**f. Om man måste använda ett elverktyg på en fuktig plats bör man**

**använda ett uttag som skyddats med en restströmsanordning (RCD).**

Vid användning av en restströmsanordning (RCD) minskar risken för elektriska stötar.

## 3. Personlig säkerhet

**a. Var uppmärksam, se på vad du gör och använd elverktyget med förnuft. Använd inte elverktyget när du är trött eller om du är påverkad av droger, alkohol eller mediciner.**

Under användning av elverktyg kan ett ögonblicks bristande ouppmärksamhet leda till allvarliga kroppsskador.

**b. Använd personlig skyddsutrustning. Bär alltid skyddsglasögon.** Den personliga skyddsutrustningen, som t.ex. dammfiltermask, halkfria skyddsskor, hjälm eller hörselskydd, som bör användas under de gällande omständigheterna minskar risken för kroppsskada.

**c. Undvik att verktyget startas av misstag. Kontrollera att strömställaren står i läge från innan du ansluter till vägguttaget och/eller batteripaketet, lyfter upp eller bär verktyget.** Det kan vara mycket farligt att bära ett elverktyg med fingret på strömbrytaren eller koppla det till nätet med strömbrytaren på.

**d. Ta bort alla inställningsverktyg och skruvnycklar innan du startar elverktyget.** Ett verktyg eller en nyckel i en roterande komponent kan medföra kroppsskada.



- e. Sträck dig inte för långt. Se till att du alltid har säkert fotfäste och balans.** På så sätt kan du lättare kontrollera elverktyget i oväntade situationer.
- f. Bär lämplig klädsel. Bär inte löst hängande kläder eller smycken. Håll hår, kläder och handskar undan från rörliga delar.** Löst hängande kläder, smycken och långt hår kan dras in av roterande delar.
- g. Om elverktyget är utrustat med dammsugnings- och uppsamlingsutrustning, kontrollera att dessa anordningar är rätt monterade och att de används på korrekt sätt.** Dammuppsamling minskar riskerna för dammrelaterade olyckor.
- h. Låt inte förtrogheten som uppstått genom regelbunden användning av verktyg låta dig bli självsäker och ignorera verktygets säkerhetsprinciper.** En oförsiktig handling kan orsaka allvarliga skador under bråkdelen av en sekund.
- 4. Bruk och skötsel av elverktyg**
- a. Överbelasta inte elverktyget. Använd rätt elverktyg för det aktuella arbetet.** Med ett lämpligt elverktyg kan du arbeta bättre och säkrare inom angivet effektområde.
- b. Ett elverktyg med defekt strömbrytare får inte användas.** Ett elverktyg som inte kan kopplas till eller från är farligt och måste repareras.
- c. Dra ut stickkontakten ur vägguttaget och/eller batteripaketet ur det motordrivna verktyget innan inställningar utförs, tillbehörsdelar byts ut eller det motordrivna verktyget ställs undan.** Denna skyddsåtgärd förhindrar oavsiktlig inkoppling av elverktyget.
- d. Förvara elverktygen oåtkomliga för barn. Låt inte elverktyget användas av personer som inte är förtrogna med dess användning eller inte läst denna anvisning.** Elverktyg är farliga om de används av oerfarna personer.
- e. Sköt elverktyget omsorgsfullt. Kontrollera att rörliga komponenter fungerar felfritt och inte kärvar, att komponenter inte brustit eller skadats och inget annat föreligger som kan påverka elverktygets funktioner. Låt skadade delar repareras innan elverktyget används på nytt.** Många olyckor orsakas av dåligt skötta elverktyg.
- f. Håll skärverktyg skarpa och rena.** Omsorgsfullt skötta skärverktyg med skarpa eggar fastnar inte så lätt och går lättare att styra.
- g. Använd det motordrivna verktyget, tillbehör och insatsverktyg etc. enligt dessa anvisningar. Ta hänsyn till arbetsvillkoren och arbetsmomenten.** Används elverktyget på icke ändamålsenligt sätt kan farliga situationer uppstå.
- h. Håll handtagen och greppytorna torra, rena och fria från olja och fett.** Hala handtag och greppytor förhindrar

säker hantering och kontroll av verktyget i oväntade situationer.

## 5. Bruk och skötsel av elverktyg

### a. Ladda batterierna endast i de laddare som tillverkaren

rekommenderat. Om en laddare som är avsedd för en viss typ av batterier används för andra batterityper finns risk för brand.

### b. Använd endast batterier som är avsedda för aktuellt elverktyg.

Används andra batterier finns risk för kroppsskada och brand.

### c. Håll gem, mynt, nycklar, spikar, skruvar och andra metallföremål på avstånd från reservbatterier för att undvika att kontakterna kortsluts.

Kortslutning av batteriets kontakter kan leda till brännskador eller brand.

### d. Om batteriet används på felaktigt sätt finns risk för att vätska rinner ur batteriet. Undvik kontakt med vätskan. Vid oavsiktlig kontakt spola med vatten. Om vätska kommer i kontakt med ögonen uppsök dessutom läkare.

Batterivätskan kan medföra hudirritation eller brännskada.

### e. Använd inte batteripaketet eller verktyg som är skadade eller modifierade.

Skadade eller modifierade batterier kan uppträda oväntat och det kan resultera i brand, explosion eller skador.

### f. Utsätt inte batteripaketet eller verktyg för brand eller höga temperaturer.

Exponering för brand eller

temperaturer över 130 °C kan orsaka en explosion.

### g. Följ laddningsinstruktionerna och ladda inte batteripaketet eller verktyget utanför det temperaturområde som specificeras i instruktionerna. Felaktig laddning eller vid temperaturer utanför den specificerade området kan skada batteriet och öka risken för brand.

## 6. Service

### a. Låt endast elverktyget repareras av kvalificerad fackpersonal och med originalreservdelar. Detta garanterar att elverktygets säkerhet bibehålls.

### b. Gör aldrig service på skadade batteripaket. Service på batteripaket skall endast utföras av tillverkaren eller auktoriserad servicepersonal.

## Extra säkerhetsvarningar för elverktyg



Varning! Tillkommande säkerhetsvarningar för häcksaxar

- ◆ Håll alla kroppsdelar borta från skärbladet. Ta inte bort avkapat material eller håll i material som ska kapas medan bladen är igång. Kontrollera noga att strömbrytaren är avstängd när material som fastnat ska rensas bort. Vid användning av häcksax kan ett enda ögonblick av bristande uppmärksamhet leda till allvarliga kroppsskador.

- ◆ **Bär häcksaxen i handtaget med skärbladet stoppad. Vid transport eller förvaring av häcksaxen ska alltid bladskyddet sitta på.** Korrekt hantering av häcksaxen minskar risken för att skärbladen ska orsaka personskador.
- ◆ **Håll kabeln borta från arbetsområdet.** Vid användning av utrustningen kan kabeln döljas av buskage och oavsiktligt träffas av bladet.
- ◆ **Håll elverktyget bara i de isolerade handtagen, eftersom skärbladet kan träffa en dold elledning.** Om skärbladen kommer i kontakt med en spänningsförande ledning blir elverktygets metalldelar spänningsförande vilket kan leda till att användaren utsätts för elektriska stötar.
- ◆ Denna bruksanvisning beskriver verktygets avsedda användning. Att använda tillbehör eller tillsatser eller utföra någon aktivitet med detta verktyg som inte rekommenderas i denna bruksanvisning kan innebära risk för personskador och/eller skador på egendom.
- ◆ Om du aldrig har använt en häcksax förut rekommenderar vi att du ber en erfaren användare om praktiska råd, förutom att du noga läser igenom bruksanvisningen.
- ◆ Rör aldrig bladen medan verktyget är igång.
- ◆ Försök aldrig tvinga bladen till att stanna.
- ◆ Lägg aldrig ifrån dig verktyget innan bladen har stannat helt.
- ◆ Kontrollera bladen regelbundet med avseende på skador eller slitage. Använd inte verktyget om bladen är skadade.
- ◆ Var noga med att undvika hårda föremål (t ex metalltrådar eller staket) när du klipper. Om du oavsiktligt stöter på hårda föremål ska verktyget omedelbart stoppas och eventuella skador undersökas.
- ◆ Stäng genast av verktyget och leta efter skador om du känner onormala vibrationer.
- ◆ Stäng genast av verktyget om det kläms fast.
- ◆ Placera det medföljande bladskyddet över bladen efter avslutat arbete. Förvara verktyget så att ingen av misstag kan komma åt bladet.
- ◆ Se alltid till att alla skydd är monterade när du använder verktyget. Försök aldrig använda ett verktyg om delar saknas eller otillåtna ändringar har gjorts.
- ◆ Låt aldrig barn använda verktyget.
- ◆ Tänk på nedfallande rester när du klipper sidorna på en hög häck.

## Extra säkerhetsvarningar för elverktyg



**Varning!** Extra säkerhetsvarningar för klippverktyg

- ◆ Låt aldrig personer som inte har läst anvisningarna, eller barn, använda maskinen. Lokala bestämmelser kan föreskriva en åldersgräns för användning.
- ◆ Tänk på att användaren är ansvarig för skador på annan person eller annans egendom.
- ◆ Använd aldrig maskinen när andra människor, i synnerhet barn, eller djur, befinner sig i närheten.
- ◆ Använd maskinen bara i dagsljus eller god belysning.
- ◆ Håll alltid ventilationsspringorna fria från smuts och skräp.
- ◆ Använd bara reservdelar och tillbehör som rekommenderas av tillverkaren.
- ◆ Undersök och underhåll maskinen regelbundet. Låt bara en behörig verkstad reparera maskinen.

## Andra personers säkerhet

- ◆ Apparaten kan användas av barn från åtta år och personer med nedsatt fysisk eller psykisk förmåga eller bristande erfarenhet eller kunskap. Om de får lämplig vägledning i hur apparaten ska användas på ett säkert sätt och är medvetna om riskerna.
- ◆ Barn ska inte leka med apparaten. Rengöring och användarunderhåll ska inte utföras av barn utan övervakning.

## Skakas

De angivna vibrationsemissionsvärdena i tekniska data och försäkran om överensstämmelse har uppmätts enligt en standardtestmetod som tillhandahålls

av EN 60745 och kan användas för att jämföra olika verktyg med varandra. De angivna vibrationsemissionsvärdena kan även användas för en preliminär beräkning av exponering.

**Varning!** Vibrationsemissionsvärdet under faktisk användning av elverktyget kan skilja sig från det angivna värdet beroende på hur verktyget används. Vibrationsnivån kan överstiga den angivna nivån.

Vid beräkning av vibrationsexponering för att bestämma säkerhetsåtgärder enligt 2002/44/EG för att skydda personer som regelbundet använder elverktyg i arbetet, bör en beräkning av vibrationsexponeringen ta med i beräkningen de faktiska användningsförhållandena och sättet verktyget används, inkluderande att man tar med i beräkningen alla delar av användningscykeln, förutom själva "avtryckartiden" även t.ex. när verktyget är avstängt och när det går på tomgång.

## Etiketter på verktyget

Följande piktogram tillsammans med datumkoden visas på verktyget:



**Varning!** För att minska risken för personskador måste användaren läsa igenom bruksanvisningen.



Använd skyddsglasögon vid arbete med verktyget.



Undvik att exponera verktyget för regn och hög luftfuktighet.



Akta dig för skarpa blad. Bladen fortsätter att rotera efter att verktyget har stängts av.



Se upp för kringfygade föremål. Håll åskådare på betryggande avstånd.



Klass III-apparat.



Garanterad ljudnivå enligt direktiv 2000/14/EG.

## Ytterligare säkerhetsanvisningar för batterier och laddare

### Batteries

- ♦ Försök aldrig öppna maskinen.
- ♦ Låt inte batteriet komma i kontakt med vatten.
- ♦ Förvara inte utrustningen i utrymmen där temperaturen kan överstiga 40 °C.
- ♦ Ladda endast i temperaturområdet 10 °C till 40 °C.
- ♦ Ladda endast med den medföljande laddaren. Användning av fel laddare kan medföra risk för elektriska stötar eller överhettning av batteriet.
- ♦ När batterierna kasseras ska anvisningarna i kapitlet "Miljöskydd" följas.
- ♦ Se till att inte skada eller deformera batteriet genom perforering eller stötar, eftersom det kan leda till risk för personskador och brand.
- ♦ Försök aldrig ladda skadade batterier.

- ♦ Under extrema förhållanden kan batteriet läcka. Om du upptäcker vätska på batterierna, torka då försiktigt bort den med en trasa. Undvik kontakt med huden.
- ♦ Vid kontakt med huden eller ögonen ska anvisningarna nedan följas.

**Varning!** Batterivätskan kan orsaka personskador eller skador på egendom. Skölj omedelbart med vatten vid kontakt med huden. Den som drabbas av rodnad, smärta eller irritation bör uppsöka läkare. Om batterisyran kommer i kontakt med ögonen, skölj då rikligt med rent vatten och kontakta läkare.

### Laddare

Laddaren har konstruerats för en viss spänning. Kontrollera alltid att spänningen i vägguttaget överensstämmer med spänningen på märkskylten.

**Varning!** Försök aldrig ersätta laddningsenheten med en vanlig nätkontakt.

- ♦ Använd BLACK+DECKER-laddaren bara till att ladda batteriet i det verktyg som det medföljde. Andra typer av batterier kan explodera och orsaka person- och materialskador.
- ♦ Försök aldrig ladda icke uppladdningsbara batterier.
- ♦ Om nätsladden är skadad måste den bytas ut av tillverkaren eller en behörig BLACK+DECKERserviceverkstad för att undvika risker.

- ◆ Låt inte laddaren komma i kontakt med vatten.
- ◆ Öppna inte laddaren.
- ◆ Undersök inte laddaren.
- ◆ Apparaten/verkyget/batteriet måste vara placerat i ett väl ventilerat utrymme vid laddning.



Laddaren är endast avsedd för inomhusanvändning.



Läs bruksanvisningen före användning.

## Elsäkerhet



Laddaren är dubbelisolerad; jordledare är således överflödig. Kontrollera alltid att nätspänningen överensstämmer med typskylten.

- ◆ Om nätsladden är skadad måste den bytas ut av tillverkaren eller en godkänd BLACK+DECKERserviceverkstad för att undvika en risksituation.
- ◆ **Varning!** Försök aldrig att ersätta laddningsenheten med en vanlig nätkontakt.

## Detaljbeskrivning

1. Strömbrytare
2. Låsknapp
3. Bladsspår
4. Skärblad (GSL200/GSL360/GSL700)
5. Trimblad (GSL300/GSL360/GSL700)
6. Laddningsindikator

## Montering

**Varning!** Undvik oavsiktlig start av verkyget vid montering.

### Montering av väggfästet på väggen (fig. A & B)

Väggfästet kan monteras på en vägg och fungera som en praktisk laddnings- och förvaringsplats för verkyget.

- ◆ Dra fast skruvarna i väggen genom hålen i springorna för väggmontering.
- ◆ Placera verkyget på väggfästet.
- ◆ Anslut laddaren och kontrollera att laddningsindikatorn (6) tänds (fig. A).
- ◆ Använd, om så behövs, de två stiften (7) under väggfästet till förvaring av reservblad (fig. B).

**Varning!** Var noga med att inte skada nätsladden vid monteringen av väggfästet på väggen.

### Borttagning av laddarkontakten från väggfästet (fig. C)

Verkyget kan laddas utan användning av väggfästet.

Laddarkontakten kan anslutas direkt till verkyget.

- ◆ Ta bort skruvarna från baksidan av väggfästet.
- ◆ Öppna väggfästet genom att skjuta den bakre delen (8) från den främre delen (9).
- ◆ Ta bort laddarpluggen från väggfästet.

### Montering och borttagning av bladet (fig. D & E)

Skärbladet (4) är utformat för trimning av gräs och ogräs.

Trimbladet (5) har utformats för trimning av häckar och buskar.

- ◆ Ta bort bladsskyddet.
- ◆ Tryck låsknappen (3) för bladet i pilens riktning (fig. D1).
- ◆ Skjut bladsskyddet (10) bakåt och lyft bort det (fig. D2).
- ◆ Sänk bladet på stiften.
- ◆ Medan du håller bladet på stiften (fig. E1), byt bladsskyddet (10) och skjut det framåt (fig. E2).

**Obs:** Det behövs ingen inriktning av bladet med drivstiften eller användning av frigöringsknappen för bladsskyddet vid återmontering av detta.

## Användning

**Varning!** Överbelasta inte maskinen, låt den arbeta i sin egen takt.

### Laddning av batteriet

Batteriet måste laddas innan det används första gången och alltid när verkyget inte längre fungerar effektivt. När batteriet laddas första gången eller efter en längre tids förvaring är laddningskapaciteten endast 80%. Efter flera uppladdningsoch urladdningscyklar uppnår batteriet full kapacitet. Batteriet kan bli varmt under laddningen; detta är en normal företeelse och indikerar inte något fel.

**Varning!** Ladda inte batteriet om lufttemperaturen är lägre än 10 °C eller högre än 40 °C. Rekommenderad temperatur vid laddning är cirka 24 °C.

Verkyget kan vara anslutet till laddaren under obegränsad tid. För att maximera batteriets livslängd rekommenderar vi att det alltid lämnas anslutet till laddaren när verkyget inte används.

När batteriet är fulladdat är batteriladdarens strömförbrukning ytterst låg.

### Laddning med väggfästet (fig. F)

- ◆ Placera verktyget på väggfästet (11).
- ◆ Anslut laddaren.

### Laddning via laddningspluggen (fig. G)

Laddningspluggen är försedd med spärrar som förhindrar användning av felaktig laddare.

- ◆ Sätt in laddningspluggen (12) i laddningsuttaget på verktygets baksida.
- ◆ Anslut laddaren.

### GSL200/GSL300/GSL360 - Ladda batteriet

- ◆ Ladda batteriet.

Laddningen är klar när laddningsindikatorn (6) tänds. Laddningsindikatorn slutar lysa när laddningen är klar.

### Ladda batteriet

- ◆ Ladda batteriet.

Laddningen är klar när laddningsindikatorn (6) börjar blinka. Laddningsindikatorn slutar blinka när laddningen är klar. Laddningsindikatorn blinkar snabbt för att indikera ett laddningsproblem. När ett laddningsproblem inträffar, anslut då verktyget direkt till laddningspluggen genom att ta bort det från väggfästet. Om laddningsproblemet kvarstår måste laddaren kopplas bort från nätuttaget och lämnas in för reparation hos en behörig serviceverkstad.

### Start och stopp (fig. H)

#### Start

- ◆ Tryck låsknappen (2) åt höger eller vänster och tryck sedan in på-/av-strömbrytaren (1).
- ◆ Släpp upp spärrknappen.

#### Avstängning

- ◆ Släpp strömbrytaren (1).

**Varning!** Försök aldrig låsa strömbrytaren i "On"-läget (på).

### Råd för bästa resultat (fig. I & J)

- ◆ Spraya bladet med ett tunt lager av ljus allmänt bruk olja innan första användningen och när bladen börjar titta torra.

### Grästrimming

- ◆ För att få bästa resultat ska du bara klippa gräs som är torrt.
- ◆ Håll verktyget så som visas i fig. I1 & I2. Håll den andra handen på säkert avstånd från bladet. Var noga med att inta en stabil arbetsställning så att du inte halkar. Sträck dig inte för långt.

- ◆ Arbeta uppifrån i flera omgångar om gräset är långt. Trimma bara lite gräs åt gången.
- ◆ Undvik att träffa hårda föremål och ömtåliga växter.
- ◆ Minska belastningen om verktyget börjar gå långsamt.
- ◆ Luta verktyget en aning om du vill klippa något närmare.

### Häckklippning

- ◆ Luta verktyget något (upp till 15° mot snittlinjen) så att bladspetsarna pekar en aning mot häcken (fig. J1). Detta gör att bladen klipper mer effektivt.
- ◆ Börja med att klippa häckens ovasida. Håll verktyget i önskad vinkel och förflytta det lugnt och stadigt längs snittlinjen (fig. J2). Det dubbelsidiga bladet möjliggör klippning i båda riktningarna.
- ◆ För att få till en mycket rak klipplinje kan du spänna ett snöre på önskad höjd längs häcken. Använd snöret som riktlinje och klipp precis ovanför det.
- ◆ För att få sidorna räta bör du klippa nedifrån och upp i växtriktningen. Unga stammar böjer sig utåt om klippningen utförs i nedåtgående riktning och leder till tomma öppningar i häcken.
- ◆ Var noga med att inte träffa främmande föremål. Se särskilt till att undvika hårda föremål som metalltråd och staket, eftersom dessa kan skada bladen.
- ◆ Smörj bladen regelbundet.

### Underhåll

Ditt BLACK+DECKER-verktyg, med eller utan nätkabel, har tillverkats för att fungera under lång tid med ett minimum av underhåll. Med rätt underhåll och regelbunden rengöring behåller verktyget sin prestanda.

**Varning!** Före varje typ av underhåll på nätanlutna/sladdlösa elverktyg:

- ◆ Stäng av apparaten/verktyget och drag ur kontakten.
- ◆ Eller stäng av och ta bort batteriet från utrustningen/verktyget om utrustningen/verktyget har ett separat batteripaket.
- ◆ Eller töm batteriet helt om det är inbyggt och stäng sedan av.
- ◆ Tag ur laddarkontakten före rengöring. Laddaren behöver inget underhåll förutom regelbunden rengöring.
- ◆ Rengör regelbundet ventilationsöppningarna på apparaten/verktyget/laddaren med en mjuk borste eller torr trasa.
- ◆ Rengör kåpan regelbundet med en fuktig trasa. Använd aldrig rengöringsmedel med lösnings- eller slipmedel i.
- ◆ Öppna chucken regelbundet och knacka på den för att avlägsna eventuellt damm som hamnat inuti den (när den är monterad).
- ◆ Rengör bladen noggrant efter varje användning. Bstryk bladen efter rengöring med ett fint lager smörjolja för att undvika att de rostar.



## Förvaring

Batteriet bör helst vara anslutet till laddaren om verktyget inte ska användas på flera månader. Gör annars så här:

- ◆ Fulladda batteriet.
- ◆ Förvara verktyget på en säker och torr plats. Förvaringstemperaturen ska alltid ligga mellan +5 °C och +40 °C.
- ◆ Fulladda batteriet innan verktyget tas i bruk efter att ha förvarats under en längre tid the battery again.

## Skydda miljön



Separat insamling. Produkter och batterier som är markerade med denna symbol får inte kastas in de vanliga hushållsoporna.

Produkterna och batterierna innehåller material som kan återvinnas eller återanvändas, vilket sänker behovet av råmaterial. Återvinn elektriska produkter och batterier enligt lokala bestämmelser. Närmare information finns tillgänglig på [www.2helpU.com](http://www.2helpU.com)

## Tekniska data

		GSL200 (H1)	GSL300 (H1)
Spänning	V <sub>DC</sub>	3.6	3.6
Bladslag (obelastad)	min <sup>-1</sup>	850	850
Bladslängd (klippverktyg)	cm	10	-
Bladsavstånd (klippverktyg)	mm	23	-
Bladslängd (trimmare)	cm	-	15
Bladsavstånd (trimmare)	mm	-	8
Bromstid för blad	s	< 1	< 1
Vikt	kg	0.65	0.65

		GSL360 (H1)	GSL700 (H1)
Spänning	V <sub>DC</sub>	3.6	7.0
Bladslag (obelastad)	min <sup>-1</sup>	850	850
Bladslängd (klippverktyg)	cm	10	10
Bladsavstånd (klippverktyg)	mm	23	23
Bladslängd (trimmare)	cm	15	15
Bladsavstånd (trimmare)	mm	8	8
Bromstid för blad	s	< 1	< 1
Vikt	kg	0.65	0.65

Laddare		905450xx	905527xx 9062xxxx
Spänning	V <sub>AC</sub>	230	230
Utspänning	V <sub>DC</sub>	9	10
Amperetal	mA	100	120
Laddningstid cirka	h	19	14
Vikt	kg	0.15	0.15

### Bullernivå, uppmätt enligt EN 60745:

Bullernivå (L<sub>pa</sub>) 66 dB(A), avvikelse (K) 3 dB(A)

Ljudeffekt (L<sub>WA</sub>) 77 dB(A), avvikelse (K) 3 dB(A)

### Totala vibrationsvärden (vektorsumman av tre axlar) enligt EN 60745:

Valor de emissão de vibrações (a<sub>v</sub>) 3.1 m/s<sup>2</sup>, avvikelse (K) 1.5 m/s<sup>2</sup>

## EC-förklaring om överensstämmelse

MASKINDIREKTIVET

DIREKTIVET OM STÖRANDE LJUD UTMOMHUS



GSL200/GSL300/GSL360/GSL700 - trimmer/röjsåg

Black & Decker deklarerar att dessa produkter, beskrivna under "tekniska data", är tillverkade i överensstämmelse med: EN60745-1:2009+A11:2010, EN60745-2-15:2009+A1:2010

2000/14/EC, Trimmare, Bilaga V  
Nivå för akustisk effekt enligt (5) 2000/14/EC  
(Article 13):

L<sub>WA</sub> (uppmätt ljudeffekt) 77 dB(A)

L<sub>WA</sub> (garanterad ljudeffekt) 87 dB(A)

De här produkterna överensstämmer även med direktiven 2006/42/EC, 2014/30/EU and 2011/65/EU.

Mer information får du genom att kontakta Black & Decker Europe på följande adress eller titta i slutet av bruksanvisningen.

Undertecknad är ansvarig för sammanställningen av den tekniska filen och gör denna försäkran som representant för Black & Decker.

Ray Laverick  
Director of Engineering  
Black & Decker Europe, 210 Bath Road, Slough,  
Berkshire, SL1 3YD  
Storbritannien  
24/07/2018

## Garanti

Black & Decker är säker på kvaliteten hos denna produkt och erbjuder kunder 24 månaders garanti från nköpsdatumet. Garantin gäller utöver konsumentens rättigheter enligt lag och påverkar inte dessa. Garantin är giltig i de territorier som tillhör medlemsstaterna i Europeiska unionen och det europeiska frihandelsområdet.

För yrkande under garantin måste yrkandet vara in enlighet med Black&Deckers villkor och du kommer att behöva skicka in bevis på köpet till försäljaren eller en auktoriserad reparatör. Villkoren för Black&Deckers tvååriga garanti och var du hittar din närmaste auktoriserade reparatör kan erhållas på internet på [www.2helpU.com](http://www.2helpU.com), eller genom att kontakta ditt lokala Black & Decker kontor på adressen som angetts i denna bruksanvisning.

Besök vår webbplats [www.blackanddecker.se](http://www.blackanddecker.se) för att registrera din nya Black & Decker-produkt samt för att få information om nya produkter och specialerbjudanden.

## Bruksområder

Din BLACK+DECKER™ GSL200, GSL300, GSL360, GSL700 saks/trimmer er konstruert for å klippe gress, hekker, busker og kratt. Dette verktøyet er bare tiltenkt bruk som et forbrukerverktøy.

Din BLACK+DECKER batterilader er konstruert for å lade BLACK+DECKER batterier av den typen som leveres med verktøyet.

## Sikkerhetsinstruksjoner

### Generelle sikkerhetsadvarsler for elektroverktøy



**Advarsel!** Les alle sikkerhetsadvarsler og alle instruksjoner. Hvis advarsler og instruksjoner ikke følges, kan det medføre elektrisk støt, brann og/eller alvorlige skader.

**Ta vare på alle advarsler og instruksjoner for fremtidige oppslag.** Uttrykket "elektroverktøy" i alle advarslene nedenfor gjelder for strømdrevne elektroverktøy (med ledning) og batteridrevne elektroverktøy (uten ledning).

### 1. Sikkerhet i arbeidsområdet

- a. **Hold arbeidsområdet rent og godt opplyst.** Rotete arbeidsområder med dårlig belysning kan føre til ulykker.
- b. **Ikke arbeid med elektroverktøy i eksplosjonsfarlige omgivelser hvor det finnes brennbare væsker, gass eller støv.** Elektroverktøy forårsaker gnister som kan antenne støv eller røyk.

- c. Hold barn og andre personer unna når elektroverktøyet brukes.** Hvis du blir forstyrret under arbeidet, kan du miste kontrollen.
- 2. Elektrisk sikkerhet**
- a. Støpselet til elektroverktøyet må passe inn i stikkontakten. Støpselet må ikke forandres på noen som helst måte. Ikke bruk adapterstøpsler sammen med jordete elektroverktøy.** Bruk av originale støpsler og passende stikkontakter reduserer risikoen for elektrisk støt.
- b. Unngå kroppskontakt med jordete overflater som rør, radiatorer, komfyrer og kjøleskap.** Det er større fare for elektrisk støt hvis kroppen din er jordet.
- c. Utsett ikke elektroverktøy for regn eller fuktighet.** Dersom det kommer vann i et elektroverktøy, øker risikoen for elektrisk støt.
- d. Unngå uforansvarlig behandling av ledningen. Elektroverktøyet må aldri bæres eller trekkes etter ledningen, og trekk heller ikke ut støpselet ved å rykke i ledningen. Hold ledningen unna varme, olje, skarpe kanter eller bevegelige deler.** Med skadde eller sammenflokete ledninger øker risikoen for elektrisk støt.
- e. Når du arbeider utendørs med et elektroverktøy, må du kun bruke en skjøteledning som er godkjent til utendørs bruk.** Ved å bruke en skjøteledning som er egnet for utendørs bruk, reduseres risikoen for elektrisk støt.
- f. Hvis du må bruke et elektrisk verktøy på et fuktig sted, må du bruke en forsyning som er beskyttet med en reststrømsanordning (RCD).** Bruk av en RCD reduserer risikoen for støt.
- 3. Personssikkerhet**
- a. Vær oppmerksom, pass på hva du gjør og vis fornuft når du arbeider med et elektroverktøy. Ikke bruk elektroverktøy når du er trett eller er påvirket av narkotika, alkohol eller medikamenter.** Et øyeblikks uoppmerksomhet under bruk av verktøyet kan føre til alvorlige personskader.
- b. Bruk personlig verneutstyr. Bruk alltid vernebriller.** Verneutstyr som støvmaske, sko med gode såler, hjelm og hørselsvern bør brukes for å redusere risikoen for personskade.
- c. Unngå utilsiktet oppstart. Påse at bryteren er i av-stilling før du kopleer til strøm og/eller batteripakke, plukker opp eller bærer verktøyet.** Hvis du bærer et elektrisk verktøy med fingeren på bryteren, eller hvis du setter strøm på et verktøy som har bryteren slått på, inviterer du til ulykker.
- d. Fjern innstillingsverktøy eller skrunøkler før du slår på elektroverktøyet.** Et verktøy eller en nøkkel som befinner seg i en roterende del kan føre til personskade.

- e. Ikke strekk deg for langt. Pass på at du alltid har sikkert fotfeste og god balanse.** Da kan du kontrollere elektroverktøyet bedre i uventede situasjoner.
- f. Bruk alltid egnede klær. Ikke bruk løstsittende klær eller smykker. Hold hår, klær og hansker unna bevegelige deler.** Løstsittende klær, smykker eller langt hår kan komme inn i bevegelige deler.
- g. Hvis det kan monteres støvavsug- og oppsamlingsinnretninger, må du forvise deg om at disse er tilkoblet og brukes på riktig måte.** Bruk av støvavsug reduserer farer i forbindelse med støv.
- 4. Aktsom håndtering og bruk av elektroverktøy**
- a. Ikke bruk makt på elektroverktøyet. Bruk et elektroverktøy som er beregnet på den type arbeid du vil utføre.** Med et passende elektroverktøy arbeider du bedre og sikrere i det angitte effektområdet.
- b. Ikke bruk elektroverktøyet hvis det ikke lar seg slå på og av med bryteren.** Et elektroverktøy som ikke kan kontrolleres med bryteren er farlig og må repareres.
- c. Trekk støpselet ut av stikkontakten og/eller kople fra batteripakken før du utfører innstillinger på et elektrisk verktøy, skifter tilbehør eller legger verktøyet bort.** Disse tiltakene reduserer risikoen for en utilsiktet start av elektroverktøyet.
- d. Elektroverktøy som ikke er i bruk må oppbevares utilgjengelig for barn. Ikke la verktøyet brukes av personer som ikke er fortrolig med det eller som ikke har lest disse bruksanvisningene.** Elektroverktøy er farlige når de brukes av uerfarne personer.
- e. Vær nøye med vedlikehold av elektroverktøy. Kontroller om bevegelige deler fungerer feilfritt og ikke klemmes fast, om deler er brukket eller skadet og andre forhold som kan innvirke på elektroverktøyets funksjon. Hvis elektroverktøyet er skadet, må det repareres før bruk.** Dårlig vedlikeholdte elektroverktøy er årsaken til mange uhell.
- f. Hold skjæreverktøy skarpe og rene.** Godt vedlikeholdte skjæreverktøy med skarpe egger setter seg ikke så ofte fast og er lettere å føre.
- g. Bruk elektroverktøy, tilbehør, bor osv. i henhold til disse instruksjonene. Ta hensyn til arbeidsforholdene og arbeidet som skal utføres.** Bruk av elektroverktøy til andre formål enn det som er angitt, kan føre til farlige situasjoner.
- 5. Aktsom håndtering og bruk av oppladbare elektroverktøy**
- a. Lad batteriet kun opp i laderen som er anbefalt av produsenten.** Det oppstår brannfare hvis en lader som er egnet til en bestemt type batterier, brukes med andre batterier.

- b. Bruk kun riktig type batterier for elektroverktøyene.** Bruk av andre batterier kan medføre skader og brannfare.
- c. Hold batterier som ikke er i bruk, unna binders, mynter, nøkler, spikre, skruer eller andre mindre metallgjenstander som kan lage en forbindelse mellom kontaktene.** En kortslutning mellom batterikontaktene kan føre til forbrenninger eller brann.
- d. Ved feilaktig bruk kan det lekke væske ut av batteriet. Unngå kontakt med denne væsken. Ved tilfeldig kontakt må det skylles med vann. Hvis det kommer væske i øynene, må du i tillegg oppsøke lege.** Batterivæske som renner ut, kan føre til hudirritasjoner eller forbrenninger.

## 6. Service

- a. Elektroverktøyet ditt skal alltid repareres av kvalifisert personell og kun med originale reservedeler.** Dette sikrer at elektroverktøyets sikkerhet opprettholdes.

## Ekstra sikkerhetsadvarsler for elektroverktøy



**Advarsel!** Utfyllende sikkerhetsadvarsler for hekkesakser

- ◆ **Hold alle kroppsdeler godt unna knivbladet. Ikke fjern kuttet materiale eller hold i materiale som skal kuttes mens bladene er i**

**bevegelse. Påse at bryteren er AV når du fjerner fastkilte materialer.** Et øyeblikks uoppmerksomhet under bruk av hekkesaksen kan føre til alvorlige personskader.

- ◆ **Bær hekkesaksen i håndtaket, med knivbladet stoppet. Når du transporterer eller oppbevarer hekkesaksen må dekslet over bladet alltid være på.** Korrekt håndtering av hekkesaksen vil redusere muligheten for personskade fra knivbladene.
- ◆ **Hold ledningen unna kutteområdet.** Under bruk kan ledningen skjule seg i buskene, og kan dermed utilsiktet bli kuttet av bladene.
- ◆ **Hold elektroverktøyet kun i de isolerte gripeflatene, da knivbladet kan komme i kontakt med skjulte, strømførende ledninger.** Hvis knivbladene kommer i kontakt med en strømførende ledning, vil elektroverktøyets metalldele bli strømførende og kan gi operatøren støt.
- ◆ Denne instruksjonshåndboken forklarer beregnet bruksmåte. Bruk bare tilbehør og utstyr som anbefales i bruksanvisningen. Bruk av annet verktøy eller tilbehør kan medføre risiko for skade på person og/eller utstyr.
- ◆ Hvis du ikke har brukt en hekkesaks før, bør du be om praktisk veiledning fra en erfaren bruker i tillegg til å lese denne bruksanvisningen.
- ◆ Rør aldri bladene så lenge verktøyet er i gang.

- ◆ Prøv aldri å tvinge bladene til å stoppe.
- ◆ Legg ikke verktøyet fra deg før bladene har stoppet fullstendig.
- ◆ Sjekk bladene regelmessig for skade og slitasje. Ikke bruk verktøyet når bladene er skadet.
- ◆ Pass på å unngå harde gjenstander (f.eks. ståltråd, gjerder) når du klipper. Skulle du allikevel komme borti harde gjenstander, slår du verktøyet av med en gang og sjekker om det er blitt skadet.
- ◆ Hvis verktøyet begynner å vibrere på en unormal måte, slår du det av med en gang og sjekker om det er blitt skadet.
- ◆ Hvis verktøyet blokkes, må du slå det av med en gang.
- ◆ Sett beskyttelsen som følger med, over bladene etter bruk. Pass på at sverdet er dekket til under oppbevaring.
- ◆ Forsikre deg alltid om at alle beskyttelser er montert når du bruker verktøyet. Prøv aldri å bruke et ufullstendig verktøy eller et verktøy det er gjort ulovlige endringer på.
- ◆ La aldri barn få bruke verktøyet.
- ◆ Vær oppmerksom på fallende avskjær når du klipper høyt opp på hekker.
- ◆ Ikke la barn eller personer som ikke har lest denne bruksanvisningen benytte maskinen. Det er mulig at lokale bestemmelser fastsetter en nedre aldersgrense for brukeren.
- ◆ Husk at brukeren er ansvarlig for ulykker eller skader som rammer andre mennesker eller deres eiendeler.
- ◆ Ikke bruk maskinen mens andre mennesker, særlig barn eller kjæledyr, er i nærheten.
- ◆ Bruk maskinen kun i dagslys eller med god belysning.
- ◆ Pass alltid på at ventilasjonsåpningene holdes fri for urenheter.
- ◆ Bruk kun reservedeler og tilbehør som produsenten anbefaler.
- ◆ Inspiser og vedlikehold maskinen jevnlig. Maskinen bør kun repareres av en autorisert reparatør.

### Andre personers sikkerhet

- ◆ Dette apparatet kan brukes av barn som er 8 år eller eldre, samt av personer som har reduserte fysiske, sansemessige eller mentale evner, eller som mangler erfaring og kunnskap. Hvis de har tilsyn eller har fått veiledning i bruk av apparatet på en trygg måte og forstår farene som foreligger.
- ◆ Barn skal ikke leke med apparatet. Rengjøring og brukervedlikehold skal ikke utføres av barn uten tilsyn.

### Ekstra sikkerhetsadvarsler for elektroverktøy



**Advarsel!** Utfyllende sikkerhetsadvarsler for sakser

## Vibrasjon

De erklærte vibrasjonsnivåene i avsnittet tekniske data og samsvarserklæring er målt i samsvar med en standard testmetode som gis av EN 60745, og kan brukes til å sammenligne et verktøy med et annet. Erklært vibrasjonsnivå kan også brukes i en foreløpig vurdering av eksponering.

**Advarsel!** Vibrasjonsnivået ved faktisk bruk av elektroverktøyet kan variere fra erklært verdi, avhengig av måten verktøyet brukes på. Vibrasjonsnivået kan øke over det oppgitte nivået.

Når du vurderer eksponering til vibrasjon for å bestemme sikkerhetstiltak som anbefalt i 2002/44/EF for å beskytte personer som jevnlig bruker elektroverktøy, bør en estimering av eksponeringen ta hensyn til de faktiske bruksforholdene og måten verktøyet brukes på. Dette inkluderer alle deler av brukssyklusen som f.eks. tidsperioder da verktøyet er slått av og når det går uten belastning, i tillegg til faktisk arbeidstid.

## Etiketter på verktøyet

Følgende piktogrammer sammen med datokoden vises på verktøyet:



**Advarsel!** Bruker må lese bruksanvisningen for å redusere faren for skader.



Ha på deg vernebriller når du bruker dette verktøyet.



Utsett ikke verktøyet for regn eller høy fuktighet.



Se opp for skarpe blader. Blader fortsetter å rotere etter at verktøyet er slått av.



Se opp for flygende gjenstander. Hold andre personer på avstand.



Klasse III-apparat.



Garantert lydeffekt i henhold til direktiv 2000/14/EF.

## Ekstra sikkerhetsforskrifter for batterier og ladere

### Batterier

- ◆ Gjør aldri under noen omstendigheter forsøk på å åpne apparatet.
- ◆ Batteriet må ikke komme i kontakt med vann.
- ◆ Må ikke oppbevares på steder hvor temperaturen kan overstige 40 °C.
- ◆ Må bare lades i lufttemperaturer mellom 10 °C og 40 °C.
- ◆ Må bare lades med laderen som følger med apparatet/verktøyet. Bruk av feil lader kan føre til elektrisk støt eller overoppheting av batteriet.
- ◆ Når batteriene skal kastes, følg instruksene i avsnittet "Miljøvern".
- ◆ Du må ikke skade eller deformere batteriet med punktering eller støt, dette kan skape fare for skader og brann.
- ◆ Ikke lad opp skadede batterier.
- ◆ Under ekstreme forhold kan det oppstå batterilekkasje.



Hvis du oppdager væske på batteriene, tørk den forsiktig av med en klut. Unngå hudkontakt.

- ◆ I tilfeller hvor det oppstår kontakt med hud eller øyne, skal instruksjonene nedenfor følges.

**Advarsel!** Batterivæsken kan forårsake personskader eller materielle skader. Hvis den kommer i berøring med hud, må du straks skylle med vann. Hvis det oppstår rødhet, smerte eller irritasjon, søk legehjelp. Ved øyekontakt, rens umiddelbart med rent vann og søk legehjelp.

## Ladere

Ladere er utformet for en bestemt nettspenning. Kontroller at nettspenningen er i overensstemmelse med spenningen på typeskiltet.

**Advarsel!** Du må aldri forsøke å bytte laderen ut med et vanlig støpsel.

- ◆ Bruk din BLACK+DECKER-lader kun sammen med batteriet som sitter i verktøyet ved levering. Andre typer batterier kan eksplodere og forårsake person- og materialskader.
- ◆ Forsøk aldri å lade ikke-oppladbare batterier.
- ◆ Hvis strømledningen skades, må den skiftes ut av produsenten eller et autorisert BLACK+DECKER servicesenter for å unngå fare.
- ◆ Laderen må ikke komme i kontakt med vann.
- ◆ Laderen må ikke åpnes.
- ◆ Ikke undersøk laderen på egenhånd.

- ◆ Apparatet/verktøyet/batteriet må plasseres i et godt ventilert område ved lading.



Ladere er bare beregnet for innendørs bruk.



Les denne håndboken før bruk.

## Elektrisk sikkerhet



Ladere er dobbeltisolert. Derfor er ikke jording nødvendig. Kontroller at nettspenningen er i overensstemmelse med spenningen på typeskiltet

- ◆ Hvis strømledningen skades må den skiftes ut av fabrikanten eller et autorisert BLACK+DECKER servicesenter for å unngå fare.
- ◆ **Advarsel!** Du må aldri forsøke å bytte laderen ut med et vanlig støpsel.

## Egenskaper

1. Strømbryter
2. Låseknapp
3. Bladutløserknapp
4. Skjæreblad (GSL200/GSL360/GSL700)
5. Trimmeblad (GSL300/GSL360/GSL700)
6. Ladingsindikator - lading pågår

## Montering

**Advarsel!** Unngå utilsiktet start av verktøyet ved montering.

### Montere veggfestet på veggen (fig. A & B)

Du kan feste veggfestet på veggen slik at du får et praktisk punkt for å oppbevare og lade verktøyet.

- ◆ Skru skruene i veggen gjennom hullene i veggfestets spalter.
- ◆ Plasser verktøyet på veggfestet.
- ◆ Plugg i laderen og kontroller at ladeindikatoren (6) lyser opp (fig. A).
- ◆ Om nødvendig kan du bruke de to knappene (7) under veggfestet til å oppbevare reservebladet (fig. B).

**Advarsel!** Unngå å skade strømledningen når du monterer veggfestet på veggen.

## Fjerne ladestøpslet fra veggfestet (fig. C)

Verktøyet kan lades uten å bruke veggfestet. Ladestøpslet kan plugges direkte i verktøyet.

- ◆ Skru ut skruene på baksiden av veggfestet.
- ◆ Skyv den bakre delen (8) fra den fremre delen (9) for å åpne veggfestet.
- ◆ Fjern ladestøpslet fra veggfestet.

## Montering og fjerning av bladet (fig. D & E)

Skjæreblandet (4) er designet for å trimme gress og ugress. Trimmeblandet (5) er designet for å trimme hekker og busker.

- ◆ Ta av bladdekslet.
- ◆ Skyv og hold bladutløserknapp (3) i pilens retning (fig. D1).
- ◆ Skyv bladdekslet (10) bakover og løft det av (fig. D2).
- ◆ Senk kniven på pinnene.
- ◆ Hold bladet nede på pinnene (fig. E1), sett på bladdekslet (10) og skyv det fremover (fig. E2).

**Merk:** Du behøver ikke justere bladet med drivpinnen, og det er ikke behov for å bruke bladdekslets utløserknapp når du setter på plass bladdekslet.

## Bruk

**Advarsel!** La verktøyet jobbe med sin egen hastighet. Ikke overbelast det.

## Lading av batteriet

Batteriet må lades før første gangs bruk og alltid når verktøyet ikke lenger fungerer effektivt. Når batteriet lades for første gang, eller etter at det ikke har vært brukt i en periode, er ladekapasiteten kun 80%. Etter flere ladings- og utladingsperioder, vil batteriet oppnå full kapasitet. Batteriet kan bli varmt mens det lades; dette er normalt og indikerer ikke at noe er feil.

**Advarsel!** Lad ikke batteriet hvis lufttemperaturen er under 10 °C eller over 40 °C. Anbefalt ladingstemperatur: ca. 24 °C.

Verktøyet kan stå koplet til laderen på ubestemt tid. Levetiden til batteriet optimaliseres hvis batteriet koples til laderen når verktøyet ikke er i bruk. Når batteriet er fullt, bruker laderen kun ubetydelig strøm.

## Lade med veggfestet (fig. F)

- ◆ Plasser verktøyet på veggfestet (11).
- ◆ Sett laderen i vegguttaket.

## Lade med ladestøpslet (fig. G)

Laderstøpslet er konstruert med sperrer som hindrer bruk av feil lader.

- ◆ Sett ladestøpslet (12) i ladekontakten på baksiden av verktøyet.

- ◆ Sett laderen i vegguttaket.

## GSL200/GSL300/GSL360 - Lade batteriet

- ◆ Lade batteriet.
- Mens batteriet lades, vil ladeindikatoren (6) lyse. Ladeindikatoren slukkes når batteriet er fulladet.

## GSL700 - Lade batteriet

- ◆ Lade batteriet.
- Mens batteriet lades, vil ladeindikatoren (6) blinke. Ladeindikatoren vil slutte å blinke når batteriet er fulladet. Ladeindikatoren blinker hurtig for å indikere et ladeproblem. Når det oppstår et problem med ladningen, bør du koble verktøyet direkte til ladestøpslet ved å fjerne det fra veggfestet. Hvis ladeproblemet vedvarer, må laderen kobles fra strømmettet og leveres inn til reparasjon ved et autorisert servicesenter.

## Start og stopp (fig. H)

### Slå på

- ◆ Skyv og hold låseknappen (2) til høyre eller venstre, og trykk deretter på på/av-bryteren (1).
- ◆ Slipp låseknappen.

### Slå av

- ◆ Slipp strømbryteren (1).

**Advarsel!** Prøv aldri å låse en strømbryter i på-stilling.

## Råd for optimalt resultat (fig. I & J)

- ◆ Spray bladet med et tynt lag lys generell bruk olje før første bruk og når bladene begynner å se tørr.

## Trimme gress

- ◆ Du oppnår optimale klipperesultater hvis du bare klipper tørt gress.
- ◆ Hold verktøyet som vist i fig. I1 & I2. Hold den andre hånden godt unna bladet. Behold en stødig arbeidsstilling så du ikke glir. Ikke strekk deg for langt.
- ◆ Arbeid i flere omganger fra toppen av gresset hvis dette er langt. Klipp lite om gangen.
- ◆ Hold verktøyet i god avstand fra harde gjenstander og skjøre planter.
- ◆ Hvis verktøyet begynner å gå sakte, reduserer du belastningen.
- ◆ Vil du klippe tettere, vipper du litt på verktøyet.

## Trimme hekker

- ◆ Sett verktøyet litt på skrå (opptil 15° i forhold til kuttlinjen) slik at bladspissene peker svakt mot hekken (fig. J1). Dette vil gjøre at bladene klipper mer effektivt.

- ◆ Start med å klippe toppen av hekken. Hold verktøyet i ønsket vinkel og beveg det jevnt langs kuttlinjen (fig. J2). Den dobbeltvirkende bladet lar deg klippe i begge retninger.
- ◆ For å klippe helt rett, strekk en snor langs hekken i den høyden du ønsker. Bruk snoren som en siktelinje, og klipp like over den.
- ◆ For å få flate sider, klipp oppover med vokseretningen. Yngre grener vil falle utover hvis du klipper nedover, og lage tomme åpninger i hekken.
- ◆ Pass på å ikke komme borti fremmedlegemer. Unngå spesielt harde gjenstander, som ståltråd og gjerder, da disse kan skade bladene.
- ◆ Smør bladene regelmessig med olje.

## Vedlikehold

Ditt BLACK+DECKER-apparat/verktøy med eller uten ledning er konstruert for å være i drift over en lang periode med et minimum av vedlikehold. Det er avhengig av godt vedlikehold og regelmessig rengjøring for å fungere som det skal til enhver tid.

**Advarsel!** Før du utfører vedlikehold på elektroverktøy med ledning eller batteri:

- ◆ Slå av og trekk ut støpset av kontakten.
- ◆ Eller slå av og ta batteriet ut av apparatet/verktøyet hvis det har en separat batteripakke.
- ◆ Eller kjøp batteriet tomt hvis det er innebygd, for deretter å slå av.
- ◆ Trekk ut kontakten før du rengjør laderen. Laderen din behøver ikke annet vedlikehold enn at den rengjøres med jevne mellomrom.
- ◆ Rengjør ventilasjonsåpningene på apparatet/verktøyet/laderen regelmessig med en myk børste eller en tørr klut.
- ◆ Rengjør motorhuset regelmessig med en fuktig klut. Ikke bruk slipende eller løsemiddelbaserte rengjøringsmidler.
- ◆ Åpne opp chucken regelmessig, og slå lett på den for å fjerne eventuelt støv fra innsiden (når den er innebygd).
- ◆ Rengjør bladene omhyggelig etter hver gangs bruk. Etter rengjøringen, smør på et tynt lag med lett maskinolje for å unngå at bladene ruste.

## Oppbevaring

Hvis verktøyet ikke skal brukes på flere måneder, bør batteriet helst være koplet til laderen. Ellers gjør du som følger:

- ◆ Lad batteriet helt opp.
- ◆ Oppbevar verktøyet på et sikkert og tørt sted. Temperaturen på oppbevaringsstedet må alltid være mellom +5 °C og +40 °C.
- ◆ Før du bruker verktøyet etter langvarig oppbevaring, må batteriet lades helt opp igjen.

## Miljøvern



Separat avfallshåndtering. Produkter og batterier merket med dette symbolet skal ikke kastes i vanlig husholdningsavfall..

Produkter og batterier inneholder materialer som kan gjenbrukes eller gjenvinnes for å redusere behovet for nye råmaterialer. Vennligst lever elektrisk utstyr og batterier til gjenbruk i henhold til lokale regler. Mer informasjon finner du på [www.2helpU.com](http://www.2helpU.com)

## Tekniske data

		GSL200 (H1)	GSL300 (H1)
Spenning	V <sub>DC</sub>	3.6	3.6
Bladslag (ubel.)	min <sup>-1</sup>	850	850
Bladlengde (trimmer)	cm	10	-
Bladåpning (trimmer)	mm	23	-
Bladlengde (trimmer)	cm	-	15
Bladåpning (trimmer)	mm	-	8
Bladbremsetid	s	< 1	< 1
Vekt	kg	0.65	0.65

		GSL360 (H1)	GSL700 (H1)
Spenning	V <sub>DC</sub>	3.6	7.0
Bladslag (ubel.)	min <sup>-1</sup>	850	850
Bladlengde (trimmer)	cm	10	10
Bladåpning (trimmer)	mm	23	23
Bladlengde (trimmer)	cm	15	15
Bladåpning (trimmer)	mm	8	8
Bladbremsetid	s	< 1	< 1
Vekt	kg	0.65	0.65

Lader		905450xx	905527xx 9062xxxx
Spenning	V <sub>AC</sub>	230	230
Utgangsspenning	V <sub>DC</sub>	9	10
Amperetall	mA	100	120
Ladetid, ca	h	19	14
Vekt	kg	0.15	0.15

<b>Lydtrykknivå, målt i samsvar med EN 60745:</b>
Lydtrykk ( $L_{pA}$ ) 66 dB(A), usikkerhet (K) 3 dB(A)
Lydeffekt ( $L_{WA}$ ) 77 dB(A), usikkerhet (K) 3 dB(A)
<b>Totale vibrasjonsverdier (triaks vektorsum) bestemt i samsvar med EN 60745:</b>
Vibrasjonsverdi ( $a_v$ ) 3.1 m/s <sup>2</sup> , usikkerhet (K) 1.5 m/s <sup>2</sup>

## Samsvarserklæring for EU MASKINDIREKTIVET DIREKTIVET OM UNDERDØRS STØY



GSL200/GSL300/GSL360/GSL700 - saks/trimmer

Black & Decker erklærer at produktene som beskrives under "tekniske data" oppfyller kravene til:  
EN60745-1:2009+A11:2010, EN60745-2-15:2009+A1:2010

2000/14/EF, Trimmer, Vedlegg V  
Nivået av akustisk effekt i henhold til (5) 2000/14/EC  
(Artikkel 13):  
 $L_{WA}$  (målt lydeffekt) 77 dB(A)  
 $L_{WA}$  (garantert lydeffekt) 87 dB(A)

Disse produktene er også i samsvar med direktiv  
2006/42/EC, 2014/30/EU and 2011/65/EU.

Hvis du ønsker mer informasjon, kontakt Black & Decker Europe på følgende adresse, eller se på baksiden av håndboken

Undertegnede er ansvarlig for sammenstillingen av den tekniske filen og avgir denne erklæringen på vegne av Black & Decker.

Ray Laverick  
Director of Engineering  
Black & Decker Europe, 210 Bath Road, Slough,  
Berkshire, SL1 3YD  
Storbritannia  
24/07/2018

### Garanti

Black & Decker er trygg på kvaliteten av produktene sine og tilbyr en 24 måneders garanti fra kjøpsdato. Denne garantierklæringen kommer i tillegg til dine lovbestemte rettigheter og er ikke i konflikt med disse. Garantien er gyldig innen områdene tilhørende medlemslandene i den Europeiske Union (EU) og det Europeiske Frihandelsområdet (EFTA).

For å ta garantien i bruk må kravet være i samsvar med kjøpsbetingelsene fra Black&Decker og du må vise kjøpskvittering til forhandleren eller til et autorisert serviceverksted. Betingelsene for Black&Deckers 2 års garanti og adressen til din nærmeste autoriserte serviceverksted kan du finne på internett under [www.2helpU.com](http://www.2helpU.com), eller ved å kontakte ditt lokale Black & Decker kontor, adressen er angitt i denne bruksanvisningen.

Besøk våre nettsider på [www.blackanddecker.no](http://www.blackanddecker.no) for å registrere ditt nye Black & Decker-produkt og for å få informasjon om nye produkter og spesialtilbud.

(Oversættelse af de oprindelige instruktioner)

DANSK

### Anvendelsesområde

Your BLACK+DECKER™ GSL200, GSL300, GSL360, GSL700 klipper/trimmer er designet til at trimme græs, hække, buske og brombærbuske. Værktøjet er kun beregnet til privat brug.

BLACK+DECKER laderen er designet til opladning af samme BLACK+DECKER batterier, som leveres med dette værktøj.

### Sikkerhedsinstruktioner

### Generelle sikkerhedsadvarsler for værktøjet



**Advarsel!** Læs alle sikkerhedsadvarsler og instrukser. Hvis nedenstående advarsler og instrukser ikke følges, er der risiko for elektrisk stød, brand og/eller alvorlige personskader.

## Gem alle advarsler og instruktioner til fremtidig brug.

Det benyttede begreb "el-værktøj" i nedennævnte advarsler refererer til el-netdrevne (med tilslutningsledning) eller batteridrevne maskiner (uden tilslutningsledning).

### 1. Sikkerhed i arbejdsområdet

a. **Sørg for, at arbejdsområdet er rent og ryddeligt.** Rodede eller uoplyste arbejdsområder øger faren for uheld.

b. **Brug ikke el-værktøj i eksplosionstruede omgivelser, f. eks. hvor der er brændbare væsker, gasser eller støv.** El-værktøj kan slå gnister, der kan antænde støv eller dampe.

c. **Sørg for, at børn og andre personer holder sig på afstand, når el-værktøjet er i brug.** Hvis man distraheres, kan man miste kontrollen over maskinen.

### 2. El-sikkerhed

a. **El-værktøjsstik skal passe til kontakten.** Stikkene må under ingen omstændigheder ændres. Brug ikke adapterstik sammen med jordforbundet el-værktøj. Uændrede stik, der passer til kontakterne, nedsætter risikoen for elektrisk stød.

b. **Undgå kropskontakt med jordforbundne overflader som f.eks. rør, radiatorer, komfurer og køleskabe.** Hvis din krop er jordforbundet, øges risikoen for elektrisk stød.

c. **El-værktøj må ikke udsættes for regn eller fugt.** Indtrængen af vand i el-værktøj øger risikoen for elektrisk stød.

d. **Undgå at ødelægge ledningen. Undgå at bære, trække eller afbryde el-værktøjet ved at rykke i ledningen. Beskyt ledningen mod varme, olie, skarpe kanter eller maskindele, der er i bevægelse.**

Beskadigede eller indviklede ledninger øger risikoen for elektrisk stød.

e. **Hvis el-værktøj benyttes i det fri, skal der benyttes en forlængerledning, som er godkendt til udendørs brug.** Brug af en forlængerledning til udendørs brug nedsætter risikoen for elektrisk stød.

f. **Ved anvendelse af et elektrisk værktøj i områder med damp, anvend da en beskyttende afskærmning.** Denne afskærmning reducerer risikoen for elektrisk stød.

### 3. Personlig sikkerhed

a. **Vær opmærksom, hold øje med, hvad du laver, og brug el-værktøjet fornuftigt.** Man bør ikke bruge maskinen, hvis man er træt, har nydt alkohol eller er påvirket af medicin eller euforiserende stoffer. Få sekundær uopmærksomhed ved brug af el-værktøjet kan føre til alvorlige personskader.

b. **Anvend sikkerhedsudstyr. Bær altid beskyttelsesbriller.** Beskyttende udstyr, som en støvmaske, skridsikre sikkerhedssko, beskyttelseshjelm eller

ørepropper anvendt i de rigtige betingelser reducere ulykker.

- c. **Forebyg umotiveret opstart. Vær sikker på, at kontakten er slukket før du forbinder kraftkilden og/eller batteriet, løfter eller bærer værktøjet.** Hvis du bærer på værktøjet med din finger på kontakten eller starter værktøjet med kontakten slået til indbyder til ulykker.
- d. **Fjern indstillingsværktøj eller skruenøgle, inden el-værktøjet tændes.** Et værktøj eller en nøgle, der efterlades i en roterende del i el-værktøjet, kan resultere i personskader.
- e. **Overvurder ikke dig selv. Sørg for, at du altid har sikkert fodfæste og balance.** Det gør det nemmere at kontrollere el-værktøjet, hvis der skulle opstå uventede situationer.
- f. **Brug egnet arbejdstøj. Undgå løse beklædningsgenstande eller smykker.** Hold hår, tøj og handsker væk fra dele, der bevæger sig. Bevægelige dele kan gribe fat i løstsiddende tøj, smykker eller langt hår.
- g. **Hvis støvudsugnings- og opsamlingsudstyr kan monteres, er det vigtigt, at dette tilsluttes og benyttes korrekt.** Brug af støvopsamling nedsætter risikoen for personskader som følge af støv.
- h. **Lad ikke kendskab fra hyppig brug af værktøjer gøre dig uforsigtig og få dig til at ignorere principperne for**

**værktøjssikkerhed.** En uforsigtig handling kan forårsage alvorlig personskade på en brøkdæl af et sekund.

4. **Brug og vedligeholdelse af el-værktøj**
- a. **Undgå at overbelaste el-værktøjet. Brug altid det rette el-værktøj til opgaven.** Med det rigtige el-værktøj udføres arbejdet lettere og sikrere inden for det angivne effektområde.
- b. **Brug ikke el-værktøjet, hvis afbryderen er defekt.** El-værktøj, der ikke kan reguleres med afbryderen, er farligt og skal repareres.
- c. **Træk stikket ud af stikkontakten og/eller afmonter batteriet inden indstilling, tilbehørsudskiftning eller opbevaring af el-værktøjet.** Disse sikkerhedsforanstaltninger reducerer risikoen for utilsigtet start af værktøjet.
- d. **Opbevar ubenyttet el-værktøj uden for børns rækkevidde. Lad aldrig personer, der ikke er fortrolige med el-værktøj, eller som ikke har gennemlæst disse instrukser, benytte maskinen.** El-værktøj er farligt, hvis det benyttes af ukyndige personer.
- e. **El-værktøj bør vedligeholdes omhyggeligt. Kontroller, om bevægelige dele er skæve og ikke sidder fast, og om delene er brækket eller beskadiget, således at el-værktøjets funktion påvirkes. Få beskadigede dele repareret, inden el-værktøjet tages i brug.** Mange

- uheld skyldes dårligt vedligeholdt el-værktøj.
- f. **Sørg for, at skæreværktøjer er skarpe og rene.** Omhyggeligt vedligeholdte skæreværktøjer med skarpe skærekanter sætter sig ikke så hurtigt fast og er nemmere at føre.
- g. **Brug el-værktøj, tilbehør, indsatsværktøj osv. i overensstemmelse med disse instrukser, og sådan som det kræves for denne specielle værktøjstype.** Tag hensyn til arbejdsforholdene og det arbejde, der skal udføres. I tilfælde af anvendelse af el-værktøjet til formål, som ligger uden for det fastsatte anvendelsesområde, kan der opstå farlige situationer.
- h. **Hold håndtagene og håndtagsfladerne tørre, rene og fri for olie og fedt.** Glatte håndtag og håndtagsflader giver ikke en sikker håndtering og kontrol af værktøjet i uventede situationer.
5. **Brug og vedligeholdelse af batteriværktøj**
- a. **Oplades kun ved hjælp af ladeaggregater, der er anbefalet af fabrikanten.** Et ladeaggregat, der er egnet til en bestemt type batterier, kan udgøre brandfare, hvis det bruges med andre batterityper.
- b. **Brug kun el-værktøjet med specifikt fremstillede batterier.** Brug af andre batterier kan øge risikoen for personskader og er forbundet med brandfare.
- c. **Batterier, der ikke er i brug, må ikke komme i berøring med andre metalgenstande som f.eks. kontorclips, mønter, nøgler, søm, skruer eller andre små metalgenstande, da disse kan kortslutte kontakterne.** En kortslutning mellem batteripolerne kan medføre forbrændinger eller brand.
- d. **Hvis batteriet anvendes forkert, kan der slippe væske ud af det. Undgå kontakt med denne væske. Hvis der alligevel skulle forekomme kontakt, skylles med vand. Søg læge, hvis væsken kommer i øjnene.** Væske fra batteriet kan give hudirritation eller forbrændinger.
- e. **Brug ikke en batteripakke eller et værktøj, der er beskadiget eller modificeret.** Beskadigede eller modificerede batterier kan udvise uforudsigelig adfærd, hvilket kan resultere i brand, eksplosion eller risiko for personskade.
- f. **Udsæt ikke en batteripakke eller et værktøj for ild eller for høj temperatur.** Udsættelse for ild eller temperatur på over 130 °C kan forårsage eksplosion.
- g. **Følg alle opladningsanvisninger, og undlad at oplade batteripakken eller værktøjet uden for det temperaturinterval, der er specificeret i instruktionerne.** En forkert opladning eller opladning uden



for det specificerede interval kan beskadige batteriet og øge risikoen for brand.

## 6. Service

### a. Sørg for, at el-værktøjet kun reparerer af kvalificerede fagfolk, og at der kun benyttes originale reservedele.

Dermed bevares el-værktøjets sikkerhed.

### b. Der må aldrig foretages service på beskadigede batteripakker. Service af batteripakker bør kun udføres af producenten eller autoriserede serviceudbydere.

## Yderligere sikkerhedsadvarsler for el-værktøjet



**Advarsel!** Yderligere sikkerhedsadvarsler for hækkeklippere

- ♦ **Hold hænder og andre kropsdele væk fra skæreknivene. Fjern aldrig afskåret materiale og hold ej i materiale, der skal skæres, mens knivene bevæger sig. Sørg for, at kontakten er slukket, mens du fjerner materiale, der har sat sig fast.** Få sekunders uopmærksomhed ved brug af hækkeklipperen kan føre til alvorlige personskader.
- ♦ **Bær hækkeklipperen i håndtaget med standsede skæreknive. Når du transporterer eller opbevarer hækkeklipperen, skal du altid sætte beskytteren på den.** Rigtig håndtering

af hækkeklipperen reducerer risikoen for personskade fra skærekniven.

- ♦ Hold kablet på afstand af skæreområdet. Under brugen kan kablet skjule sig i buskadset og derfor ved et uheld blive skåret over.
- ♦ Hold kun fast på el-værktøjet på de isolerede håndtagsflader, fordi skærekniven kan komme i kontakt med skjulte kabler. I tilfælde af at skærekniven kommer i kontakt med strømførende ledninger, kan metaldelene på el-værktøjet komme under spænding og give elektrisk stød.
- ♦ De formål, som værktøjet er beregnet til er beskrevet i betjeningsvejledningen. Brug af andet tilbehør eller udførelse af andre opgave med dette værktøj end de her anbefalede kan medføre risiko for personskader og/eller skader på materiel.
- ♦ Hvis man aldrig har benyttet en hækkeklipper før, er det anbefalelsesværdigt at bede om praktisk hjælp fra en øvet bruger samtidig med, at denne brugervejledning skal læses.
- ♦ Man må aldrig berøre knivene, mens værktøjet er i gang.
- ♦ Forsøg aldrig at tvinge knivene til standsning.
- ♦ Man må ikke stille værktøjet fra sig, før knivene er fuldstændigt stoppet.
- ♦ Kontrollér regelmæssigt knivene for beskadigelse og slid. Man må ikke benytte værktøjet, hvis knivene er beskadiget.

- ◆ Undgå hårde genstande (f.eks. metalwirer og stakitter), når du klipper. Skulle man ved et uheld komme til at ramme en sådan genstand, skal man straks slukke for værktøjet og kontrollere det for skader.
- ◆ Hvis værktøjet begynder at vibrere på unormal vis, skal det straks slukkes og kontrolleres for skader.
- ◆ Hvis værktøjet går i stå, skal det straks slukkes.
- ◆ Efter brug skal den medfølgende knivbeskytter sættes over knivene. Ved opbevaring af værktøjet skal man sikre sig, at knivene ikke er fremme.
- ◆ Sørg altid for, at alle sikkerhedsanordningerne sidder fast, når værktøjet er i brug. Forsøg aldrig at bruge et ukomplet værktøj eller et værktøj, der er blevet ændret på en uautoriseret måde.
- ◆ Lad aldrig børn bruge værktøjet.
- ◆ Vær opmærksom på nedfaldende affald ved klipning af de øverste sider af hækken.
- ◆ Husk, at brugeren er ansvarlig for ulykker eller skader, der påføres andre personer eller deres ejendom.
- ◆ Brug ikke maskinen, når mennesker, især børn eller dyr, er i nærheden.
- ◆ Brug kun maskinen i dagslys eller med god kunstig belysning.
- ◆ Sørg altid for, at ventilationsrillerne holdes fri for skidt og affald.
- ◆ Brug kun reservedele og tilbehør anbefalet af producenten.
- ◆ Kontroller og vedligehold udstyret regelmæssigt. Lad kun en autoriseret reparatør reparere udstyret.

## Andres sikkerhed

- ◆ Dette apparat må bruges af personer i alderen 8 år og derover, og af personer med nedsatte fysiske, sensoriske eller mentale handicaps, eller mangel på erfaringer, viden eller færdigheder. Hvis de holdes under opsyn eller har modtaget vejledning i sikker brug af apparatet og forstår de involverede farer.
- ◆ Børn må ikke lege med apparatet. Rengøring og brugervedligeholdelse må ikke foretages af børn uden opsyn.

## Yderligere sikkerhedsadvarsler for el-værktøjet



**Advarsel!** Yderligere sikkerhedsadvarsler for klippere

- ◆ Tillad ikke børn eller personer, der ikke har kendskab til denne brugsanvisning, at arbejde med maskinen. Lokal lovgivning kan begrænse brugerens alder.

## Vibration

De deklarerede vibrationsemissionsværdier, som er angivet i tekniske data og overensstemmelseserklæring er blevet udmålt i overensstemmelse med en standardtestmetode foreskrevet af EN 60745 og kan anvendes til at sammenligne et værktøj med et andet.

De deklarerede vibrationsemissionsværdier kan ligeledes anvendes i en præliminær undersøgelse af eksponeringen.

**Advarsel!** Vibrationsemissionsværdien under den faktiske brug af værktøjet kan variere fra den deklarerede værdi, alt efter hvilken måde værktøjet anvendes på. Vibrationerne kan nå op på et niveau over det anførte.

Når vibrationseksponeringen undersøges med det formål at fastsætte sikkerhedsforanstaltningerne ifølge 2002/44/EF for at beskytte personer, som regelmæssigt anvender værktøjer i forbindelse med deres arbejde, bør en måling af vibrationseksponeringen betænke, den måde værktøjet anvendes på inklusive alle dele af arbejds cyklussen såsom tidspunkter, hvor værktøjet er slukket eller kører i tomgang, ud over det tidsrum hvor det anvendes.

## Etiketter på værktøjet

Følgende piktogrammer sammen med datoen koden vises på værktøjet:



**Advarsel!** For at mindske risikoen for skader skal brugeren læse instruktionsmanualen.



Bær sikkerhedsbriller, når du arbejder med dette værktøj.



Udsæt ikke værktøjet for regn eller høj fugtighed.



Pas på skarpe kniven. Kniven fortsætter med at bevæge sig et stykke tid, efter at værktøjet er slukket.



Pas på flyvende genstande. Hold eventuelle tilskuere på afstand.



Klasse III apparat.



Direktiv 2000/14/EF garanteret lydeffekt.

## Ekstra sikkerhedsinstruktioner for batterier og ladere

### Batterier

- ◆ Man må aldrig forsøge at åbne et batteri.
- ◆ Udsæt det ikke for vand.
- ◆ Udstyret bør ikke opbevares i et lokale, hvor temperaturen overstiger 40 °C.
- ◆ Det må kun oplades ved omgivelsestemperaturer mellem 10 °C og 40 °C.
- ◆ Oplad kun med den vedlagte oplader. Anvendelse af forkert oplader kan medføre elektrisk stød eller overophedning af batteriet.
- ◆ Ved kassering af batterier, skal man følge vejledningen i afsnittet "Beskyttelse af miljøet".
- ◆ Undgå at deformere eller beskadige batteriet ved punktering eller stød, da dette kan give risiko for kvæstelser eller brand.
- ◆ Oplad ikke et beskadiget batteri.
- ◆ Under ekstreme forhold kan der forekomme batteriutætheder. Hvis du

opdager væske på batterierne, så tør den forsigtigt af med en klud.

Undgå kontakt med huden.

- ◆ I tilfælde af at væsken kommer i kontakt med huden, skal man følge nedenstående vejledning.

**Advarsel!** Batterivæsken kan forårsage personskade eller materielle skader. Ved hudkontakt skal stedet omgående skylles med vand. Forekommer der udslæt, smerte eller irritation, så søg læge. Ved øjenkontakt skylles straks med rent vand. Søg derefter læge.

## Opladere

Din oplader er beregnet til en specifik netspænding. Før brug skal det altid kontrolleres, at netspændingen svarer til den, der er angivet på typeskiltet.

**Advarsel!** Forsøg aldrig at udskifte opladerenheden med et almindeligt netstik.

- ◆ Din BLACK+DECKER lader må kun benyttes til at oplade batteriet som følger med værktøjet. Andre batterier kan eksplodere og derved forårsage personskader og skader på ting.
- ◆ Man må aldrig forsøge at genoplade ikke-opladelige batterier.
- ◆ Hvis el-ledningen er skadet, skal den udskiftes af producenten eller et autoriseret BLACK+DECKER servicecenter for at undgå ulykker.
- ◆ Udsæt ikke opladeren for vand.
- ◆ Opladeren må ikke åbnes.
- ◆ Opladeren må ikke manipuleres.

- ◆ Apparatet/værktøjet/batteriet skal placeres i et velventileret område ved opladning.



Opladeren er kun beregnet til indendørs brug.



Læs brugervejledningen, før værktøjet tages i brug.

## Elektricitet og sikkerhed



Din oplader er dobbelt isoleret. Derfor er jordledning ikke nødvendig. Før brug skal det kontrolleres, at netspændingen svarer til den, der er angivet på typeskiltet.

- ◆ Hvis el-ledningen er skadet, skal den udskiftes af producenten eller et autoriseret BLACK+DECKER servicecenter for at undgå ulykker.
- ◆ **Advarsel!** Forsøg aldrig at udskifte opladerenheden med et almindeligt netstik.

## Funktioner

1. Afbryder
2. Låseknop
3. Knivens udløserknop
4. Klipperekniv (GSL200/GSL360/GSL700)
5. Trimmerkniv (GSL300/GSL360/GSL700)
6. Opladningsindikator - "ladning i gang"

## Montering

**Advarsel!** Undgå utilsigtet start under samling af værktøj.

### Montering på væggen af vægbeslaget (fig. A & B)

Vægbeslaget kan monteres på væggen og virker som et praktisk opbevarings- og opladningssted for værktøjet.

- ◆ Skru skrueerne ind i væggen gennem hullerne i vægbeslaget.
- ◆ Anbring værktøjet i vægbeslaget.

- ◆ Slut laderen til strømmen og kontroller at ladelyset (6) tænder (fig. A).
- ◆ Om nødvendigt anvend de to knopper (7) under vægbeslaget til at opbevare ekstra skærekniv (fig. B).

**Advarsel!** Undgå at beskadige strømkablet, når du monterer vægbeslaget på væggen.

### Montering af vægbeslaget på væggen (fig. C)

Værktøjet kan oplades uden at anvende vægbeslaget.

Opladerstikket kan tilsluttes værktøjet direkte.

- ◆ Fjern skrueerne fra bagsiden af vægbeslaget.
- ◆ Skub den bagerste del (8) fra den forreste del (9) for at åbne vægbeslaget.
- ◆ Fjern opladerstillet fra vægbeslaget.

### Montering og afmontering af kniv (fig. D & E)

Klipparekniven (4) er designet til klipning af græs og ukrudt.

Trimmerkniven (5) er designet til klipning af hække og buske.

- ◆ Fjern knivens beskyttelsesdæksel.
- ◆ Tryk på og hold knivens udløserknop (3) nede i pilens retning (fig. D1).
- ◆ Skub knivens beskyttelsesskærm (10) bagud og løft det af (fig. D2).
- ◆ Sænke bladet på tappene.
- ◆ Medens du holder kniven fast på stifterne (fig. E1) sættes skærebladets beskyttelsesskærm igen på plads og skubbes fremad (fig. E2).

**Bemærk:** Det er ikke nødvendigt at tilpasse knivent til drivstifterne og brug af skærebladets beskyttelsesskærmen udløserknop er ikke nødvendig når beskyttelsesskærmen genmonteres.

### Anvendelse

**Advarsel!** Lad værktøjet arbejde i dets eget tempo.

Det må ikke overbelastes.

### Opladning af batteriet

Batteriet skal oplades, før det tages i brug for første gang, og derefter skal der genoplades når maskinen virker trægt og ikke længere arbejder med vanlig præstation. Når batteriet oplades for første gang eller efter en længere periode uden at være brugt, kan det kun oplades 80%. Efter adskillige opladnings og afladningsperioder opnår batteriet fuld kapacitet. Batteriet kan blive opvarmet under opladning; dette er normalt og er ikke ensbetydende med, at der er problemer.

**Warning** Batteriet må ikke oplades i omgivelsestemperaturer på under 10 °C eller over 40 °C.

Anbefalet opladningstemperatur: ca. 24 °C.

Værktøjet kan være tilsluttet opladeren på ubestemt tid. For at maksimere batteriets levetid anbefales det at lade batteriet være tilsluttet opladeren, når værktøjet ikke er i brug. Når

batteriet er fuldt opladet, er strømforbruget i opladeren minimalt.

### Opladning med vægbeslag (fig. F)

- ◆ Anbring værktøjet i vægbeslaget (11).
- ◆ Forbind opladeren til stikkontakten.

### Opladning med opladerstik (fig. G)

Opladerstikket er udstyret med låsepåler for at forhindre anvendelse af forkert oplader.

- ◆ Sæt opladerstikket (12) i opladningskontakten på bagsiden af værktøjet.
- ◆ Forbind opladeren til stikkontakten.

### GSL200/GSL300/GSL360 - Opladning af batteriet

- ◆ Oplad batteriet.

Under opladning vil opladeindikatoren (6) lyse.

Opladeindikatoren slukker når opladninger er færdig.

### Charging the battery

- ◆ Anbring værktøjet i vægbeslaget (11).

Når batteriet er under opladning vil opladeindikatoren (6) blinke. Opladeindikatoren slukker når opladninger er færdig. Opladningsindikatoren blinker hurtigt for at angive et opladningsproblem. Når der er et opladningsproblem, forbindes udstyret direkte til opladningsstikket ved at fjerne vægbeslaget. Hvis opladningsproblemet fortsætter skal opladeren skal afbrydes fra strømforsyningen og bringes til reparation på et autoriseret serviceværksted.

### Start og stop (fig. H)

#### Tænding

- ◆ Tryk låseknappen (2) fremad og hold den nede til højre eller til venstre og tryk så samtidig på afbryderknappen (1).
- ◆ Slip låseknappen.

#### Slukning

- ◆ Løsn afbryderknappen (1).

**Advarsel!** Forsøg aldrig at fastlåse knappen.

### Gode råd til optimalt brug (fig. I & J)

- ◆ Sprøjt bladet med et tyndt lag af lys almindelig brug olie før første brug og når bladene begynder at se tørt ud.

### Græsklipning

- ◆ Hvis du vil opnå optimale klipperesultater, skal du kun klippe, når græsset er tørt.
- ◆ Hold værktøjet som vist på fig. I1 & I2. Hold den anden hånd i en sikker afstand fra kniven. Gå i en stabil arbejdsposition, så du ikke glider. Overvurder ikke dig selv.

- ◆ Hvis du arbejder i højt græs, skal du slå det i flere omgange fra toppen. Tag små afskæringer ad gangen.
- ◆ Hold værktøjet væk fra hårde objekter og sarte planter.
- ◆ Hvis værktøjet begynder at køre langsomt, skal belastningen reduceres.
- ◆ Stil værktøjet skråt, hvis du vil lave en tættere klipping.

### Hækkeklipping

- ◆ Vip værktøjet let (op til 15° i forhold til klippelinien) således, at knivspidserne peger let imod hækken (fig. J1). Dette gør, at knivene klipper mere effektivt.
- ◆ Start med at klippe toppen af hækken. Hold værktøjet i den ønskede vinkel, og bevæg det roligt langs med klippelinien (fig. J2). De dobbeltsidede knive gør, at man kan klippe i begge retninger.
- ◆ For at opnå en meget lige hæk kan man trække en tråd langs med hækken i den ønskede højde. Brug tråden som en retningsssnor, og klip lige over den.
- ◆ For at opnå flade sider skal man klippe opad i vækstreningen. Yngre grene vil stikke ud, hvis man fører kniven nedad, og det vil medføre ujævne mønstre i hækken.
- ◆ Sørg for at undgå fremmedlegemer. Undgå især hårde genstande, f.eks. metalwirer og stakitter, idet de kan beskadige knivene.
- ◆ Smør knivene regelmæssigt.

### Hvornår skal hækken klippes?

- ◆ Generelt kan hække og buske med årsskud klippes i juni og oktober.
- ◆ Stedsgrønne planter kan klippes i april og august.
- ◆ Hurtigt voksende planter kan klippes hver 6. uge fra maj og fremover.

### Vedligeholdelse

Dit el-/batteridrevne BLACK+DECKER apparat/værktøj er designet til at være i drift i lang tid og med minimal vedligeholdelse. Fortsat tilfredsstillende anvendelse afhænger af, at værktøjet behandles korrekt og gøres rent med regelmæssig mellemrum.

**Advarsel!** Før der udføres vedligeholdelse af el-/batteridrevne værktøj:

- ◆ Sluk for apparatet/værktøjet og træk stikket ud af kontakten.
- ◆ Eller sluk og fjern batteriet fra apparatet/værktøjet, hvis apparatet/værktøjet har et separat akkumulatorbatteri.
- ◆ Aflad ellers batteri helt, hvis det er integreret, og sluk derefter.
- ◆ Tag opladeren ud af stikkontakten før rengøring. Opladeren kræver ingen anden vedligeholdelse end regelmæssig rengøring.

- ◆ Rengør regelmæssigt apparatets/værktøjets ventilationshuller og oplader med en blød børste eller en tør klud.
- ◆ Man skal regelmæssigt gøre motorhuset rent med en fugtig klud. Man må ikke bruge rensmidler med slibemidler eller opløsningsmidler.
- ◆ Man skal regelmæssigt åbne patronen og banke den let for at fjerne støv fra dens indre (når den er installeret).
- ◆ Efter brug skal knivene rengøres grundigt. Efter rengøring skal man smøre knivene med maskinolie for at undgå, at de rustner.

### Opbevaring

Hvis værktøjet ikke skal bruges i flere måneder, er det bedst at lade batteriet være tilsluttet opladeren. Gør i modsat fald følgende:

- ◆ Oplad batteriet fuldstændigt.
- ◆ Opbevar værktøjet tørt og sikkert. Opbevaringstemperaturen skal altid være mellem +5 °C og +40 °C.
- ◆ Før værktøjet tages i brug igen efter længere tids opbevaring, skal batteriet oplades fuldt igen.

### Miljøbeskyttelse



Særskilt bortskaffelse. Produkter og batterier mærket med dette symbol må ikke bortskaffes sammen med normalt husholdningsaffald.

Produkter og batterier indeholder materialer, der kan blive gendannet eller genanvendt og således reducere efterspørgslen efter råvarer. Genbrug venligst elektriske produkter og batterier i henhold til lokale regulativer. Yderligere informationer findes på [www.2helpU.com](http://www.2helpU.com)

### Tekniske data

		GSL200 (H1)	GSL300 (H1)
Spænding	V <sub>DC</sub>	3.6	3.6
Knivstød (uden belastning)	min <sup>-1</sup>	850	850
Knivlængde (klipper)	cm	10	-
Knivafstand (klippare)	mm	23	-
Knivlængde (trimmer)	cm	-	15
Knivafstand (trimmer)	mm	-	8
Bremsetid for kniven	s	< 1	< 1
Vægt	kg	0.65	0.65

		GSL360 (H1)	GSL700 (H1)
Spænding	V <sub>DC</sub>	3.6	7.0
Knivstød (uden belastning)	min <sup>-1</sup>	850	850
Knivlængde (klipper)	cm	10	10
Knivafstand (klippare)	mm	23	23
Knivlængde (trimmer)	cm	15	15
Knivafstand (trimmer)	mm	8	8
Bremsetid for kniven	s	< 1	< 1
Vægt	kg	0.65	0.65

Kontakt Black & Decker Europe på nedenstående adresse, eller se vejledningens bagside for at få flere oplysninger.

Undertegnede er ansvarlig for kompilering af den tekniske fil og laver denne deklaration på vegne af Black & Decker.



Ray Laverick  
Director of Engineering  
Black & Decker Europe, 210 Bath Road, Slough,  
Berkshire, SL1 3YD  
Storbritannien  
24/07/2018

Lader	905450xx	905527xx	9062xxxx
Spænding	V <sub>AC</sub>	230	230
Udgangsspænding	V <sub>DC</sub>	9	10
Amperetal	mA	100	120
Opladningstid (ca.)	h	19	14
Vægt	kg	0.15	0.15

## Garanti

Black & Decker er sikker på kvaliteten af sine produkter og giver forbrugerne en garanti på 24 måneder fra købsdatoen. Garantien er et tillæg til forbrugers lovsikrede rettigheder og påvirker ikke disse. Garantien er gyldig inden for medlemsstaterne af Den Europæiske Union og Det Europæiske Frihandelsområde.

Når du gør krav på garantien, skal kravet være i overensstemmelse med Black&Decker vilkår og betingelser, og du skal indsende dokumentation for købet til sælgeren eller til en autoriseret reparatør. Vilkår og betingelser for Black & Decker 2 års garanti og placeringen af dit nærmeste autoriserede serviceværksted kan fås på internettet på [www.2helpU.com](http://www.2helpU.com), eller ved at kontakte dit lokale Black & Decker kontor på den adresse, der er angivet i denne vejledning.

Besøg venligst vores websted [www.blackanddecker.co.uk](http://www.blackanddecker.co.uk) for at registrere dit nye Black & Decker produkt og modtage opdateringer om nye produkter og specielle tilbud.

## EU overensstemmelseserklæring

MASKINDIREKTIV  
DIREKTIV FOR UDENDØRSSTØJ



GSL200/GSL300/GSL360/GSL700 - klipper/trimmer

Black & Decker erklærer, at disse produkter, beskrevet under "tekniske data", overholder følgende:  
EN60745-1:2009+A11:2010, EN60745-2-15:2009+A1:2010

2000/14/EC, Trimmer, Annex V

Niveau for akustisk kraft i overensstemmelse med (5)

2000/14/EC (Article 13):

L<sub>WA</sub> (målt akustisk kraft) 77 dB(A)

L<sub>WA</sub> (garanteret akustisk kraft) 87 dB(A)

Disse produkter er endvidere i overensstemmelse med direktiv 2006/42/EC, 2014/30/EU and 2011/65/EU.



## Käyttötarkoitus

BLACK+DECKER™ GSL200, GSL300, GSL360, GSL700 -leikkuri/-trimmeri on tarkoitettu ruohon, pensaiden ja muiden kasvien leikkaamiseen. Tämä työkalu on tarkoitettu vain yksityiskäyttöön.

BLACK+DECKERin laturi on suunniteltu tämän työkalun mukana toimitetun BLACK+DECKER -akun lataamiseen.

## Turvaohjeet

### Yleiset sähkötyökalujen turvallisuusohjeet



**Varoitus! Kaikki ohjeet täytyy lukea.** Alla olevien ohjeiden noudattamisen laiminlyönti saattaa johtaa sähköiskuun, tulipaloon ja/ tai vakavaan loukkaantumiseen.

### Säilytä nämä ohjeet hyvin.

Seuraavassa käytetty käsite "sähkötyökalu" käsittää verkkokäyttöiset sähkötyökalut (verkkajohdolla) ja paristokäyttöiset sähkötyökalut (ilman verkkojohtoa).

### 1. Työpisteen turvallisuus

- Pidä työskentelyalue puhtaana ja hyvin valaistuna.** Epäjärjestyksessä olevilla ja valaisemattomilla työalueilla voi tapahtua tapaturmia.
- Älä työskentele sähkötyökalulla räjähdyssaltiliissa ympäristössä, jossa on palavaa nestettä, kaasua tai pölyä.** Sähkötyökalu muodostaa kipinöitä, jotka saattavat sytyttää pölyn tai höyryt.
- Pidä lapset ja sivulliset loitolla sähkötyökalua käyttäessäsi.** Voit

menettää laitteesi hallinnan huomiosi suuntautuessa muualle.

### 2. Sähköturvallisuus

- Sähkötyökalun pistotulpan tulee sopia pistorasiaan. Pistotulppaa ei saa muuttaa millään tavalla. Älä käytä minkäänlaisia sovitinpistokkeita maadoitettujen sähkötyökalujen kanssa.** Alkuperäisessä tilassa olevat pistotulpat ja sopivat pistorasiat vähentävät sähköiskun vaaraa.
- Vältä koskettamasta maadoitettuja pintoja, kuten putkia, pattereita, liesiä tai jääkaappeja.** Sähköiskun vaara kasvaa, jos kehosi on maadoitettu.
- Älä altista sähkötyökalua sateelle tai kosteudelle.** Veden tunkeutuminen sähkötyökalun sisään kasvattaa sähköiskun riskiä.
- Älä käytä verkkojohtoa väärin. Älä käytä sitä sähkötyökalun kantamiseen, vetämiseen tai pistotulpan irrottamiseen pistorasiasta. Pidä johto loitolla kuumuudesta, öljystä, terävistä reunoista ja liikkuvista osista.** Vahingoittuneet tai sotkeutuneet johdot kasvattavat sähköiskun vaaraa.
- Käyttäessäsi sähkötyökalua ulkona, käytä ainoastaan ulkokäyttöön soveltuvaa jatkojohtoa.** Ulkokäyttöön soveltuvan jatkojohdon käyttö pienentää sähköiskun vaaraa.
- Jos sähkötyökalua joudutaan käyttämään kosteassa**

**ympäristössä, käytä aina jäännösvirtalaitteella (RCD) suojattua virtälähdettä.**

Jäännösvirtalaitteen käyttö vähentää sähköiskun vaaraa.

### 3. Henkilöturvallisuus

**a. Ole valpas, kiinnitä huomiota työskentelyysi ja noudata tervettä järkeä sähkötyökalua käyttäessäsi. Älä käytä sähkötyökalua, jos olet väsynyt tai huumeiden, alkoholin tai lääkkeiden vaikutuksen alaisena.**

Hetken tarkkaamattomuus sähkötyökalua käytettäessä saattaa johtaa vakavaan loukkaantumiseen.

**b. Käytä suojarusteita. Käytä aina suojalaseja.** Suojarusteet, kuten pölynsuojanaamari, luistamattomat turvajalkineet, kypärä ja kuulosuojaimet pienentävät, tilanteen mukaan oikein käytettyinä, loukkaantumisriskiä.

**c. Vältä sähkötyökalun tahatonta käynnistämistä. Varmista, että käynnistyskytkin on asennossa "off", ennen kuin kytket pistotulpan pistorasiaan tai kannat sähkötyökalua.** Jos kannat sähkötyökalua sormi käynnistyskytkimellä tai kytket sähkötyökalun pistotulpan pistorasiaan, käynnistyskytkimen ollessa käyntiasennossa, altistat itsesi onnettomuuksille.

**d. Poista kaikki säätötyökalut ja ruuvitaltat, ennen kuin käynnistät sähkötyökalun.** Laitteen pyöriivään

osaan jäänyt työkalu tai avain saattaa johtaa loukkaantumiseen.

**e. Älä kurkota. Seiso aina tukevasti ja tasapainossa.** Täten voit paremmin hallita sähkötyökalua odottamattomissa tilanteissa.

**f. Käytä tarkoitukseen soveltuvia vaatteita. Älä käytä löysiä työvaatteita tai koruja. Pidä hiukset, vaatteet ja käsineet loitolla liikkuvista osista.** Väljät vaatteet, korut ja pitkät hiukset voivat takertua liikkuviin osiin.

**g. Jos pölynimu- ja keräilylaitteita voidaan asentaa työkaluun, sinun pitää tarkistaa, että ne on liitetty ja että niitä käytetään oikealla tavalla.** Näiden laitteiden käyttö vähentää pölyn aiheuttamia vaaroja.

**h. Vaikka käyttäisit usein työkaluja ja sinulla olisi niistä hyvä tuntemus, älä jätä lukematta työkalun turvallisuusohjeita.** Huolimattomuus voi johtaa vakaviin henkilövahinkoihin jopa sekunnin murto-osassa.

### 4. Sähkötyökalujen käyttö ja hoito

**a. Älä ylikuormita sähkötyökalua. Käytä kyseiseen työhön tarkoitettua sähkötyökalua.** Sopivaa sähkötyökalua käyttäen työskentelet paremmin ja varmemmin tehoalueella, jolle sähkötyökalu on tarkoitettu.

**b. Älä käytä sähkötyökalua, jota ei voida käynnistää ja pysäyttää virtakytkimestä.** Sähkötyökalu, jota ei enää voida käynnistää ja pysäyttää

- käynnistyskytkimellä, on vaarallinen ja se täytyy korjata.
- c. Irrota pistotulppa pistorasiasta, ennen kuin suoritat säätöjä, vaihdat tarvikkeita tai siirät sähkötyökalun varastoitavaksi.** Nämä turvatoimenpiteet laskevat sähkötyökalun tahatonta käynnistysriskiä.
- d. Säilytä sähkötyökalut poissa lasten ulottuvilta, kun niitä ei käytetä. Älä anna sellaisten henkilöiden käyttää sähkötyökalua, jotka eivät tunne sitä tai jotka eivät ole lukeneet tätä käyttöohjetta.** Sähkötyökalut ovat vaarallisia, jos niitä käyttävät kokemattomat henkilöt.
- e. Hoida sähkötyökalusi huolella. Tarkista, että liikkuvat osat toimivat moitteettomasti, eivätkä ole puristuksessa ja että työkalussa ei ole murtuneita tai vahingoittuneita osia, jotka saattaisivat vaikuttaa haitallisesti sen toimintaan. Korjauta mahdolliset viat ennen käyttöönottoa.** Moni tapaturma aiheutuu huonostihuolletuista laitteista.
- f. Pidä leikkausterät terävinä ja puhtaina.** Huolellisesti hoidetut leikkaustyökalut, joiden terät ovat teräviä, eivät tartu helposti kiinni ja niitä on helpompi hallita.
- g. Käytä sähkötyökaluja, tarvikkeita, vaihtotyökaluja jne. näiden ohjeiden mukaisesti. Ota tällöin huomioon työolosuhteet ja suoritettava toimenpide.** Sähkötyökalun käyttö muuhun kuin tarkoituksenmukaiseen käyttöön saattaa johtaa vaarallisiin tilanteisiin.
- h. Pidä kahvat ja kädensijat kuivina ja puhtaina öljystä ja rasvasta.** Liukkaat kahvat ja kädensijat estävät työkalun turvallisen käsittelyn ja hallinnan odottamattomissa tilanteissa.
- 5. Akkukäyttöisten työkalujen käyttö ja hoito**
- a. Lataa akku vain valmistajan määrittelemällä laturilla.** Laturi, joka soveltuu määrättyntyyppiselle akulle, saattaa muodostaa tulipalovaaran erilaista akkua ladattaessa.
- b. Käytä sähkötyökalussa ainoastaan kyseiseen sähkötyökaluun tarkoitettua akkua.** Jonkun muun akun käyttö saattaa johtaa loukkaantumiseen ja tulipaloon.
- c. Pidä irrallista akkua loitolla metalliesineistä, kuten paperinliittimistä, kolikoista, avaimista, nauloista, ruuveista tai muista pienistä metalliesineistä, jotka voivat oikosulkea akun koskettimet.** Akun kosketinten välinen oikosulku saattaa aiheuttaa palovammoja tai johtaa tulipaloon.
- d. Väärästä käytöstä johtuen saattaa paristosta vuotaa nestettä, jota ei tule koskettaa. Jos nestettä vahingossa joutuu iholle, huuhtelee kosketuskohta vedellä. Jos nestettä pääsee silmiin, tarvitaan tämän lisäksi lääkärin apua.** Paristosta

vuotava neste saattaa aiheuttaa ärsytystä ja palovammoja.

- e. Akkua tai työkalua ei saa käyttää, jos siinä on vaurioita tai sitä on muunneltu.** Vaurioituneet tai muunnellut akut voivat johtaa odottamattomiin tilanteisiin ja vaarana ovat tulipalo, räjähdys ja henkilövahingot.
- f. Suojaa akku ja työkalu tulelta ja liian korkeilta lämpötiloilta.** Se voi räjähtää yli 130 °C lämpötilassa.
- g. Noudata kaikkia latausohjeita. Akkua tai työkalua ei saa ladata ohjeissa määritetystä lämpötilavälisestä poikkeavassa lämpötilassa.** Jos akku ladataan virheellisesti tai määritetystä lämpötilavälisestä poikkeavassa lämpötilassa, seurauksena voi olla akun vaurioituminen ja tulipalovaara.

## 6. Huolto

- a. Anna koulutettujen ammattitaitoisten henkilöiden korjata sähkötyökalusi ja hyväksy korjauksiin vain alkuperäisiä varaosia.** Täten varmistat, että sähkötyökalu säilyy turvallisena.
- b. Älä koskaan huolla vaurioituneita akkuja.** Ainoastaan valmistaja tai valtuutetut huoltoliikkeet saavat huoltaa akkuja.

## Sähkötyökalujen lisäturvallisuusohjeet



**Varoitus!** Pensasleikkurin lisäturvallisuusohjeet

- ♦ **Pidä kaikki vartalosi osat etäällä leikkausterästä. Älä poista leikattua materiaalia tai pidä leikattavasta materiaalista kiinni silloin, kun leikkausterät liikkuvat. Varmista, että kone on kytketty pois päältä kiinni juuttunutta materiaalia poistaessa.** Hetkellinen tarkkaamattomuus pensasleikkuria käytettäessä saattaa johtaa vakavaan loukkaantumiseen.
- ♦ **Kuljeta pensasleikkuria sen kahvasta leikkausterän ollessa pysähtynyt. Aseta pensasleikkurin teräsuojus paikoilleen aina laitteen varastoinnin ja kuljetuksen ajaksi.** Pensasleikkurin virheetön käsittely vähentää leikkausterien muodostamaa henkilövahinkovaaraa.
- ♦ **Pidä johto pois leikkausalueelta.** Käytön aikana johto voi piiloutua pensasiin ja terä voi leikata sen vahingossa.
- ♦ **Pidä sähkötyökalua ainoastaan sen eristetyistä kahvoista kiinni pitäen, sillä terä voi osua piilossa olevaan johtoon.** Jännitteeseen johtoon koskettava terä saattaa tehdä sähkötyökalun paljaista metalliosista jännitteisiä ja aiheuttaa sähköiskun käyttäjälle.
- ♦ Työkalun käyttötarkoitus on kuvattu tässä käyttöohjeessa. Käytä vain käyttöohjeessa ja tuotekuvastossa suositeltuja tarvikkeita ja lisälaitteita.

- Ohjeesta poikkeava käyttö voi aiheuttaa onnettomuuden ja/tai omaisuusvahinkoja.
- ◆ Ellet ole käyttänyt pensasleikkuria aikaisemmin, suosittelemme, että pyydät käytännön neuvoja kokeneelta käyttäjältä sekä luet käyttöohjeen tarkasti.
  - ◆ Älä koskaan kosketa terää, kun kone on käynnissä.
  - ◆ Älä koskaan pakota teriä pysähtymään.
  - ◆ Älä aseta konetta maahan, ennen kuin terät ovat täysin pysähtyneet.
  - ◆ Tarkista säännöllisesti, ovatko terät vaurioituneet tai kuluneet. Älä käytä konetta, mikäli terät ovat vialliset.
  - ◆ Varo kovia esineitä (esim. etallilankaa, kaiteita) leikatessasi. Mikäli osut vahingossa tällaiseen esineeseen, sammuta kone välittömästi ja tarkista mahdolliset vahingot.
  - ◆ Mikäli kone alkaa täristä epätavallisesti, sammuta se välittömästi ja tarkista mahdolliset vahingot.
  - ◆ Mikäli kone jumiuuu, pysäytä se välittömästi.
  - ◆ Aseta koneeseen kuuluva teränsuojus paikoilleen käytön jälkeen. Säilytä konetta siten, että terä ei ole näkyvillä.
  - ◆ Varmista aina, että kaikki suojat ovat paikallaan työkalua käytettäessä. Älä koskaan käytä työkalua, jonka kaikki osat eivät ole oikein paikallaan tai johon on tehty muutoksia jonkun muun kuin valtuutetun huoltoliikkeen toimesta.

- ◆ Älä koskaan anna lasten käyttää konetta.
- ◆ Varo tippuvaa roskaa, kun leikkaat pensasaidan korkeampaa puolta.

## Sähkötyökalujen lisäturvallisuusohjeet



### **Varoitus!** Saksien lisäturvallisuusohjeet

- ◆ Älä anna lasten tai henkilöiden, jotka eivät ole lukeneet tätä käyttöohjetta, käyttää konetta. Paikalliset säännökset voivat määrittää laitteen käyttäjän ikärajoituksen.
- ◆ Muista, että käyttäjä on vastuussa muille ihmisille tai heidän omaisuudelleen aiheutuvista onnettomuuksista tai vaaratilanteista.
- ◆ Älä koskaan käytä konetta ihmisten ja etenkin lasten tai lemmikkieläinten ollessa koneen lähellä.
- ◆ Käytä konetta vain päivänvalossa tai voimakkaassa keinovalaistuksessa.
- ◆ Varmista aina, että tuuletusaukot ovat puhtaita.
- ◆ Käytä ainoastaan valmistajan suosittelemia varaosia ja lisävarusteita.
- ◆ Tarkasta ja huolla konetta säännöllisesti. Ainoastaan valtuutettu huoltopalvelu saa korjata koneen.

### **Muiden turvallisuus**

- ◆ Tämä laite soveltuu yli 8-vuotiaiden lasten ja sellaisten henkilöiden käyttöön, joilla on fyysisiä tai älyllisiä rajoitteita tai aistirajoitteita, kuten myös

laitteen toimintaan perehtymättömien henkilöiden käyttöön, jos he ovat saaneet laitteen turvalliseen käyttöön liittyvää opastusta ja mmärtävät laitteen käyttöön liittyvät vaarat.

- ♦ Älä anna lasten leikkiä laitteella. Puhdistus- ja huoltotöitä ei saa jättää lapsille ilman valvontaa.

## Tärinä

Käyttöohjeen teknisissä tiedoissa ja vaatimustenmukaisuusvakuutuksessa ilmoitetut tärimän päästöarvot on mitattu EN 60745-normin vakioiden testimenetelmän mukaisesti ja niitä voidaan käyttää työkalun vertaamisessa toiseen. Ilmoitettua tärimän päästöarvoa voidaan myös käyttää altistumisen arviointiin ennakoita.

**Varoitus!** Sähkötyökalun tärimän päästöarvo voi varsinaisen käytön aikana poiketa ilmoitetusta arvosta riippuen siitä, millä tavalla työkalua käytetään. Tärimän taso voi kohota ilmoitetun tason yläpuolelle.

Kun tärimälle altistumista arvioidaan, jotta voidaan määrittää 2002/44/EY-direktiivin edellyttämät turvatoimenpiteet säännöllisesti sähkötyökaluja työssä käyttävien henkilöiden suojelemiseksi, tärimälle altistumisen arvion tulee ottaa huomioon varsinaiset käyttöolosuhteet ja työkalun käyttötavan, johon sisältyy kaikkien käyttöjakson osien huomioon ottaminen, kuten ajat, jolloin työkalu on

pois päältä tai kun se käy joutokäyntiä sekä käynnistysajan.

## Koneessa olevat merkit

Seuraavia kuvakkeita yhdessä päivämäärä koodi näkyvät työkalun:



**Varoitus!** Loukkaantumisen vaaran ehkäisemiseksi käyttäjän on luettava käyttöohjeet.



Käytä suojalaseja työkalua käytäessäsi.



Älä altista konetta sateelle tai kosteudelle.



Varo teräviä teriä. Terät liikkuvat edelleen moottorin sammutuksen jälkeen.



Varo pois sinkoavia esineitä. Pidä sivulliset loitolla.



III luokan laite.



Direktiivin 2000/14/EY mukainen taattu ääniteho.

## Lisäturvaohjeet akuille ja latureille

### Akut

- ♦ Älä koskaan yritä avata akkua.
- ♦ Älä altista akkua vedelle.
- ♦ Älä säilytä akkua paikassa, jonka lämpötila on yli 40 °C.
- ♦ Lataa akku ainoastaan lämpötilan ollessa välillä 10 °C - 40 °C.

- ◆ Lataa akku käyttäen ainoastaan laitteen/työkalun mukana toimitettua laturia. Väärän laturin käyttö voi aiheuttaa sähköiskun tai akun ylikuumentumisen.
- ◆ Kun poistat akun käytöstä, noudata kappaleessa ”Ympäristö” annettuja ohjeita.
- ◆ Älä vaurioita tai muunna akkua pistoin tai iskuin, sillä tällöin on olemassa onnettomuus- ja tulipalovaara.
- ◆ Älä lataa vaurioituneita akkuja.
- ◆ Ääriolosuhteissa akut saattavat vuotaa. Jos akussa on nestettä, pyyhi se varoen pyyhkeellä. Vältä nesteen joutuminen iholle.
- ◆ Mikäli nestettä osuu iholle tai silmiin, noudata alla olevia ohjeita.

**Varoitus!** Akkuneste voi aiheuttaa henkilö- tai omaisuusvahinkoja. Jos akkunestettä pääsee iholle, huuhto se välittömästi vedellä. Jos iho punoittaa tai jos iholla esiintyy kipua tai ärsytystä, käänny lääkärin puoleen. Mikäli nestettä pääsee silmiin, huuhtelee silmät välittömästi puhtaalla vedellä ja käänny lääkärin puoleen.

## Laturit

Laturi on suunniteltu tietyille jännitteelle. Tarkista aina ennen laitteen käyttöä, että verkkojännite vastaa arvokilvessä ilmoitettua jännitettä.

**Varoitus!** Älä koskaan yritä vaihtaa laturia normaaliin verkkovirtapistokkeeseen.

- ◆ Käytä BLACK+DECKER -laturia ainoastaan laitteen mukana toimitetun

akun lataamiseen. Muunlaiset akut saattavat räjähtää aiheuttaen henkilö- ja omaisuusvahinkoja.

- ◆ Älä koskaan yritä ladata ei-ladattavia akkuja.
- ◆ Jos sähköjohto on vaurioitunut, ainoastaan valtuutettu BLACK+DECKERin huoltoliike saa vaihtaa sen vaaratilanteiden välttämiseksi.
- ◆ Älä altista laturia vedelle.
- ◆ Älä avaa laturia.
- ◆ Älä vahingoita laturia.
- ◆ Laite/työkalu/akku tulee asettaa hyvin tuuletettuun tilaan latauksen ajaksi.



Laturi on tarkoitettu ainoastaan sisäkäyttöön.



Lue käyttöohjeet huolellisesti ennen laitteen käyttöä.

## Sähköturvallisuus



Laturi on kaksoiseristetty; siksi erillistä maadoitusta ei tarvita. Tarkista aina ennen laitteen käyttöä, että verkkojännite vastaa arvokilvessä ilmoitettua jännitettä.

- ◆ Jos sähköjohto on vaurioitunut, se saadaan vaihtaa vain valtuutetussa BLACK+DECKERin huoltoliikkeessä vaaratilanteiden välttämiseksi.
- ◆ **Varoitus!** Älä koskaan yritä vaihtaa laturia normaaliin verkkovirtapistokkeeseen.

### Ominaisuudet

1. Virrankatkaisija
2. Lukitusnappi



3. Terän vapautuspainike
4. Saksien terä (GSL200/GSL360/GSL700)
5. Trimmerin terä (GSL300/GSL360/GSL700)
6. Latausvalo - lataus käynnissä

## Kokoaminen

**Varoitus!** Varmista, ettei kone käynnisty vahingossa kokoamisen aikana.

### Seinätelineen kiinnittäminen seinään (kuva A & B)

Seinäteline voidaan kiinnittää seinään, jolloin se toimii sekä säilytys- että latauspaikkana.

- ◆ Kiinnitä ruuvit seinään seinätelineen rakojen läpi.
- ◆ Aseta työkalu seinätelineeseen.
- ◆ Kytke laturi ja varmista, että latausvalo (6) syttyy (kuva A).
- ◆ Asenna tarvittaessa kaksi tappea (7) seinätelineen alapuolelle ylimääräisen terän säilytystä varten (kuva B).

**Varoitus!** Varo, ettei virtajohto vaurioiduu seinätelineen asentamisen aikana.

### Laturin pistokkeen irrottaminen seinätelineestä (kuva C)

Työkalu voidaan ladata ilman seinätelinettä. Laturin pistoke voidaan liittää suoraan työkaluun.

- ◆ Irrota seinätelineen takaosassa olevat ruuvit.
- ◆ Liu'uta takaosa (8) irti etuosasta (9) seinätelineen avaamiseksi.
- ◆ Irrota laturin pistoke seinätelineestä.

### Terän kiinnitys ja poisto (kuva D & E)

Saksien terä (4) on tarkoitettu nurmikon ja rikkaruohojen leikkaukseen. Trimmerin terä (5) on tarkoitettu pensasaitojen ja pensaiden leikkaukseen.

- ◆ Poista teräsuoja.
- ◆ Paina ja pidä alhaalla terän vapautuspainiketta (3) nuolen osoittamaan suuntaan (kuva D1).
- ◆ Liu'uta teräsuojaa (10) taaksepäin ja nosta se pois (kuva D2).
- ◆ Laske terän päälle tapit.
- ◆ Kun pitelet terää tapeissa (kuva E1), vaihda teräsuoja (10) ja liu'uta sitä eteenpäin (kuva E2).

**Huomautus:** Terää ei tarvitse kohdistaa käyttötappeen ja teräsuojan vapautuspainiketta ei tarvitse käyttää teräsuojan uudelleen asennuksen yhteydessä.

## Käyttö

**Varoitus!** Anna koneen käydä omaan tahtiinsa. Älä ylikuormita sitä.

### Akun lataaminen

Akku tulee ladata ennen ensimmäistä käyttökertaa ja aina silloin, kun se ei enää tuota riittävästi virtaa toimintoihin, jotka

aikaisemmin hoituivat helposti. Ladatessasi akkua ensimmäistä kertaa tai pitkäaikaisen säilytyksen jälkeen, latautuu se vain 80 %:sesti. Usean lataamis- ja tyhjentymiskerran jälkeen akku saavuttaa täyden kapasiteettinsa. Akku voi lämmetä ladattaessa; tämä on normaalia eikä ole merkinä minkäänlaisesta ongelmasta.

**Varoitus!** Älä lataa akkua alle 10 °C tai yli 40 °C asteen lämpötiloissa. Suositeltu lämpötila lataamiseen on noin 24 °C. Kone voi olla liitettyä laturiin kuinka kauan tahansa.

Akun mahdollisimman pitkän käyttöiän varmistamiseksi on suositeltavaa pitää akku latauksessa aina, kun kone ei ole käytössä. Kun akku on ladattu täyteen, laturin virrankulutus on erittäin pieni.

### Lataaminen seinätelineellä (kuva F)

- ◆ Aseta työkalu seinätelineeseen (11).
- ◆ Kytke laturi virtalähteeseen.

### Lataaminen laturin pistokkeella (kuva G)

Laturin pistokkessa on lukitusosat, jotta sitä ei voida käyttää vääränlaisen laturin kanssa.

- ◆ Liitä laturin pistoke (12) laturin liittimeen, joka on työkalun taka-osassa.
- ◆ Kytke laturi virtalähteeseen.

### GSL200/GSL300/GSL360 - Akun lataaminen

- ◆ Lataa akku.

Kun akun lataus on käynnissä, latausvalo (6) syttyy.

Latausvalo ei vilku enää silloin, kun lataus on suoritettu loppuun.

### Akun lataaminen

- ◆ Lataa akku.

Kun akun lataus on käynnissä, latausvalo (6) vilkkuu.

Latausvalo ei vilku enää silloin, kun lataus on suoritettu loppuun. Latausvalo vilkkuu nopeasti, jos latauksessa on jokin häiriö. Kun latauksessa tapahtuu jokin häiriö, liitä työkalu suoraan laturin pistokkeeseen irrottamalla seinäteline.

Jos latauksen häiriö toistuu, laturi on irrotettava verkkovirrasta ja vietävä valtuutettuun huoltoliikkeeseen korjattavaksi.

## Käynnistys ja pysäytys (kuva H)

### Työkalun käynnistys

- ◆ Paina ja pidä lukitusnappia (2) oikealla tai vasemmalla ja paina sitten virrankatkaisijaa (1).
- ◆ Päästä irti lukitusnapista.

### Työkalun pysäytys

- ◆ Päästä irti virrankatkaisijasta (1).

**Varoitus!** Älä koskaan yritä lukita virtakytkintä käynnistysasentoon.

## Vinkkejä parhaimman tuloksen saamiseksi (kuva I & J)

- ◆ Suihkuta terät ohut kerros valon yleiseen käyttöön ollyn ennen ensimmäistä käyttökertaa ja aina terät alkaa näyttää kuivalta.

## Nurmikon viimeistely

- ◆ Paras leikkaustulos saadaan leikkaamalla kuivaa ruohoa.
- ◆ Pidä konetta kuten kuvassa I1 & I2. Pidä toinen kätesi poissa terän tieltä. Seiso tukevassa työskentelyasennossa, niin ettet liukastu. Älä kurkota.
- ◆ Leikkaa pitkää ruohoa asteittain ylhäältä lähtien. Leikkaa vain vähän kerrallaan.
- ◆ Vältä kovia esineitä tai hentoja kasveja.
- ◆ Jos kone alkaa käydä hitaasti, vähennä kuormitusta.
- ◆ Jos haluat leikata lähempää, kallista konetta hieman.

## Pensasaitojen leikkaus

- ◆ Kallista konetta hiukan (korkeintaan 15° kulmaan leikkauslinjaan nähden) niin, että terän kärjet osoittavat pensasta kohden (kuva J1).  
Tällä tavoin terät leikkaavat tehokkaammin.
- ◆ Aloita leikkaaminen pensaan yläreunasta. Pidä työkalua halutussa kulmassa ja liikuta sitä rauhallisesti ja tasaisesti leikkauslinjaa pitkin (kuva J2). Kaksipuolisesti leikkaavat terät sallivat leikkaamisen molempiin suuntiin.
- ◆ Jotta leikkausjälki olisi mahdollisimman suora, pensasaidan koko pituudelle voidaan pingottaa naru halutulle korkeudelle. Käytä naru viitelinjana ja leikkaa juuri sen yläpuolelta.
- ◆ Jotta sivuista tulisi tasaisia, leikkaa alhaalta ylöspäin siihen suuntaan, mihin pensas kasvaa. Nuoret oksat kallistuvat ulospäin, jos leikkaat ylhäältä alaspäin. Tämä aiheuttaa aukkoja pensasaitaan.
- ◆ Ole varovainen; vältä kaikkia asiaankuulumattomia esineitä. Vältä erityisesti kovia esineitä, kuten metallilankaa tai aitoja; nämä voivat vahingoittaa teriä.
- ◆ Voitele terät säännöllisesti.

## Huolto

BLACK+DECKERin langallinen/langaton laite/työkalu on suunniteltu toimimaan mahdollisimman pitkän aikaa mahdollisimman vähällä huollolla. Asianmukainen käyttö ja säännönmukainen puhdistus takaavat laitteen jatkuvan tyydyttävän toiminnan.

**Varoitus!** Ennen langallisen/langattoman sähkötyökalun huoltoa:

- ◆ Kytke laite/työkalu pois päältä ja irrota pistoke pistorasiasta.
- ◆ Tai kytke laite pois päältä ja irrota akku laitteesta/työkalusta, jos laitteessa/työkalussa on erillinen akku.

- ◆ Tai kuluta akku kokonaan loppuun, jos akku on integroitu laitteeseen ja kytke laite sen jälkeen pois päältä.
- ◆ Irrota laturi virtalähteestä ennen puhdistamista. Laturi ei tarvitse säännöllisen puhdistamisen lisäksi mitään muuta huoltoa.
- ◆ Puhdista työkalun/laitteen/laturin tuuletusaukot säännöllisesti pehmeällä harjalla tai kuivalta siivousliinalla.
- ◆ Puhdista työkalun kuori säännöllisesti kostealla siivousliinalla. Älä koskaan käytä puhdistamiseen liuotainaineita tai syövyttäviä puhdistusaineita.
- ◆ Avaa istukka säännöllisin väliajoin ja kopauta sitä pölyjen poistamiseksi sisältä (jos asennettu).
- ◆ Puhdista terät hyvin jokaisen käyttökerran jälkeen. Levitä puhdistuksen jälkeen ohut kerros kevyttä voiteluöljyä terille ruostumisen estämiseksi.

## Säilytys

Jos konetta ei aiota käyttää useampaan kuukauteen, akun tulee olla liitettyä laturiin. Noudata muussa tapauksessa seuraavia ohjeita:

- ◆ Lataa akku täyteen.
- ◆ Säilytä työkalua turvallisessa ja kuivassa paikassa. Säilytyspaikan lämpötilan täytyy aina olla välillä +5 °C - +40 °C.
- ◆ Lataa akku täyteen ennen kuin käytät konetta pitkäaikaisen säilytyksen jälkeen.

## Ympäristön suojele



Toimita tämä laite erilliskeräykseen. Tällä symbolilla merkityjä tuotteita ja akkuja ei saa hävittää tavallisen kotitalousjätteen mukaan.

Tuotteissa ja akkuissa on materiaaleja, jotka voidaan ottaa talteen tai kierrättää uudelleen käyttöä varten. Kierrätä sähkölaitteet ja akut paikallisten määräyksien mukaan. Lisätietoa on saatavilla osoitteessa [www.2helpU.com](http://www.2helpU.com)

## Tekniset tiedot

		GSL200 (H1)	GSL300 (H1)
Jännite	V <sub>DC</sub>	3.6	3.6
Leikkauliikkeitä (kuormittamaton)	min <sup>-1</sup>	850	850
Terän pituus (sakset)	cm	10	-
Terän aukko (sakset)	mm	23	-
Terän pituus (trimmeri)	cm	-	15
Terän aukko (trimmeri)	mm	-	8
Terän pysähdysaika	s	< 1	< 1
Paino	kg	0.65	0.65

		GSL360 (H1)	GSL700 (H1)
Jännite	V <sub>DC</sub>	3.6	7.0
Leikkuuliikkeitä (kuormittamaton)	min <sup>-1</sup>	850	850
Terän pituus (sakset)	cm	10	10
Terän aukko (sakset)	mm	23	23
Terän pituus (trimmeri)	cm	15	15
Terän aukko (trimmeri)	mm	8	8
Terän pysähdysaika	s	< 1	< 1
Paino	kg	0.65	0.65

Laturi		905450xx	905527xx
		9062xxxx	
Jännite	V <sub>AC</sub>	230	230
Lähtöjännite	V <sub>DC</sub>	9	10
Ampeeriluku	mA	100	120
Latausaika (noin)	h	19	14
Paino	kg	0.15	0.15

**Äänenpainetaso, määritetty EN 60745-standardin mukaan:**

 Äänenpaine (L<sub>pa</sub>) 66 dB(A), epävarmuus (K) 3 dB(A)

 Akustinen (L<sub>WA</sub>) 77 dB(A), epävarmuus (K) 3 dB(A)

**Tärinän kokonaisarvot (vektorisumma) standardin EN 60745 mukaisesti:**

 Tärinän päästöarvo (a<sub>w</sub>) 3.1 m/s<sup>2</sup>, epävarmuus (K) 1.5 m/s<sup>2</sup>
**EU-vaatimustenmukaisuusvakuutus**

 KONEDIREKTIIVI  
 ULKOILMAMELUDIREKTIIVI


GSL200/GSL300/GSL360/GSL700 - Leikkain/trimmeri

Black &amp; Decker julistaa, että kohdassa "tekniset tiedot" kuvatut tuotteet noudattavat seuraavia:

EN60745-1:2009+A11:2010, EN60745-2-15:2009+A1:2010

2000/14/EC, Trimmeri, Liite V

Akustisen tehon taso (5) 2000/14/EY (Artikkeli 13):

 L<sub>WA</sub> (mitattu ääniteho) 77 dB(A)

 L<sub>WA</sub> (taattu ääniteho) 87 dB(A)

 Nämä tuotteet täyttävät myös direktiivien  
 2006/42/EC, 2014/30/EU and 2011/65/EU.

 Vaatimukset. Lisätietoja saa ottamalla yhteyttä  
 Black & Decker Europeen seuraavassa osoitteessa. Tiedot  
 ovat myös käyttöoppaan takakannessa.

 Allekirjoittava henkilö on vastuussa teknisen tiedoston  
 täyttämisestä ja tekee tämän ilmoituksen  
 Black & Decker -yhtiön puolesta.



 Ray Laverick  
 Director of Engineering  
 Black & Decker Europe, 210 Bath Road, Slough,  
 Berkshire, SL1 3YD  
 Iso-Britannia  
 24/07/2018

**Takuu**

 Black & Decker on vakuuttanut tuotteidensa korkeasta  
 laadusta ja tarjoaa kuluttajille 24 kuukauden takuun, joka  
 astuu voimaan ostopäivänä. Takuu on lisäys kuluttajan laillisiin  
 oikeuksiin eikä vaikuta niihin. Tämä takuu on voimassa  
 kaikissa EU- ja ETA-maissa.

 Edellytyksenä takuun saamiselle on, että vaade täyttää Black  
 & Deckerin ehdot ja että ostaja toimittaa ostosittien  
 jälleenmyyjälle tai valtuutetulle huoltoliikkeelle. Black &  
 Deckerin kahden vuoden takuun ehdot ja lähimmän  
 valtuutetun korjauspalvelun yhteystiedot ovat saatavilla  
 osoitteessa [www.2helpU.com](http://www.2helpU.com) tai ottamalla yhteyttä  
 paikalliseen Black & Deckerin toimipisteeseen tässä  
 ohjekirjassa ilmoitettuihin osoitteisiin.

 Käy verkkosivuillemme osoitteessa [www.blackanddecker.fi](http://www.blackanddecker.fi) ja  
 rekisteröi uusi Black & Decker -tuotteesi saadaksesi tietoa  
 uusista tuotteista ja erikoistarjouksista.

**Ενδεδειγμένη χρήση**

Το εργαλείο κλαδέματος/κοπής BLACK+DECKER™ GSL200, GSL300, GSL360, GSL700 έχει σχεδιαστεί για να κουρεύει γρασιδί, φράκτες από φυτά, θάμνους και βατομουριές. Αυτό το εργαλείο προορίζεται μόνο για καταναλωτική χρήση.

Ο φορτιστής της BLACK+DECKER έχει σχεδιαστεί για να φορτίζει μπαταρίες BLACK+DECKER του τύπου που παρέχονται με αυτό το εργαλείο.

**Οδηγίες ασφαλείας Γενικές προειδοποιήσεις ασφαλείας για ηλεκτρικά εργαλεία**

**Προσοχή! Διαβάστε όλες τις προειδοποιήσεις ασφαλείας και όλες τις οδηγίες.** Η μη τήρηση των παρακάτω προειδοποιήσεων και οδηγιών μπορεί να προκαλέσει ηλεκτροπληξία, πυρκαγιά ή/και σοβαρούς τραυματισμούς.

**Αποθηκεύστε όλες τις προειδοποιήσεις και οδηγίες για μελλοντική αναφορά.** Ο χαρακτηρισμός "ηλεκτρικό εργαλείο" που χρησιμοποιείται στις παρακάτω προειδοποιητικές υποδείξεις αφορά ή το εργαλείο που συνδέεται στην πρίζα (με καλώδιο) ή το εργαλείο που λειτουργεί με μπαταρία (χωρίς καλώδιο).

**1. Ασφάλεια χώρου εργασίας**

- a. Διατηρείτε το χώρο που εργάζεστε καθαρό και καλά φωτισμένο.** Η αταξία στο χώρο που εργάζεστε και τα σημεία χωρίς καλό φωτισμό μπορεί να οδηγήσουν σε ατυχήματα.
- b. Μη χρησιμοποιείτε τα ηλεκτρικά εργαλεία σε περιβάλλον όπου υπάρχει κίνδυνος έκρηξης, π.χ.**

**παρουσία εύφλεκτων υγρών, αερίων ή σκόνης.** Τα ηλεκτρικά εργαλεία μπορεί να δημιουργήσουν σπινθηρισμό ο οποίος μπορεί να αναφλέξει τη σκόνη ή τις αναθυμιάσεις.

- c. Όταν χρησιμοποιείτε το ηλεκτρικό εργαλείο, κρατάτε τα παιδιά και τα υπόλοιπα άτομα μακριά από το χώρο που εργάζεστε.** Σε περίπτωση που άλλα άτομα αποσπάσουν την προσοχή σας μπορεί να χάσετε τον έλεγχο του μηχανήματος.

**2. Ασφαλής χρήση του ηλεκτρικού ρεύματος**

- a. Το φισ του καλωδίου του ηλεκτρικού εργαλείου πρέπει να ταιριάζει στην αντίστοιχη πρίζα.** Δεν επιτρέπεται με κανένα τρόπο η μετασκευή του φισ. Μη χρησιμοποιείτε προσαρμοστικά φισ στα γειωμένα ηλεκτρικά εργαλεία. Τα φισ που δεν έχουν υποστεί τροποποιήσεις και οι κατάλληλες πρίζες μειώνουν τον κίνδυνο ηλεκτροπληξίας.
- b. Αποφεύγετε την επαφή του σώματός σας με γειωμένες επιφάνειες όπως σωλήνες, θερμαντικά σώματα (καλοριφέρ), κουζίνες και ψυγεία.** Όταν το σώμα σας είναι γειωμένο, αυξάνεται ο κίνδυνος ηλεκτροπληξίας.
- c. Μη εκθέτετε το ηλεκτρικό εργαλείο στη βροχή ή την υγρασία.** Η διείσδυση νερού στο ηλεκτρικό εργαλείο αυξάνει τον κίνδυνο ηλεκτροπληξίας.

- d. Μην κακομεταχειρίζεστε το καλώδιο. Μην χρησιμοποιήσετε ποτέ το καλώδιο για να μεταφέρετε, να τραβήξετε ή να αποσυνδέσετε το εργαλείο από την πρίζα. Κρατάτε το καλώδιο μακριά από υψηλές θερμοκρασίες, λάδια, κοφτερές ακμές ή κινούμενα εξαρτήματα.** Τυχόν χαλασμένα ή μπερδεμένα καλώδια αυξάνουν τον κίνδυνο ηλεκτροπληξίας.
- e. Όταν χρησιμοποιείτε το ηλεκτρικό εργαλείο σε εξωτερικούς χώρους, να χρησιμοποιείτε πάντοτε προεκτάσεις (μπαλαντέζες) που έχουν εγκριθεί για χρήση σε εξωτερικούς χώρους.** Η χρήση προεκτάσεων εγκεκριμένων για εργασία σε εξωτερικούς χώρους μειώνει τον κίνδυνο ηλεκτροπληξίας.
- f. Αν η χρήση του εργαλείου σε μια βρεγμένη περιοχή δεν είναι απόφευκτη, χρησιμοποιήστε μια συσκευή κατάλοιπου ρεύματος (RCD) προστατευόμενης παροχής.** Η χρήση μιας RCD μειώνει τον κίνδυνο ηλεκτροπληξίας.
- 3. Ασφάλεια προσώπων**
- a. Όταν χρησιμοποιείτε το ηλεκτρικό εργαλείο, να είστε προσεκτικοί, να δίνετε προσοχή στην εργασία που κάνετε και να επιστρατεύετε την κοινή λογική. Μην χρησιμοποιείτε το ηλεκτρικό εργαλείο όταν είστε κουρασμένοι ή όταν βρίσκεστε υπό την επήρεια ναρκωτικών, οινοπνεύματος ή φαρμάκων. Μια στιγμιαία απροσεξία κατά το χειρισμό του ηλεκτρικού εργαλείου μπορεί να οδηγήσει σε σοβαρούς τραυματισμούς.**
- b. Χρησιμοποιήστε προσωπικό εξοπλισμό τραυματισμού. Να φοράτε πάντα προστατευτικά γυαλιά.** Ο προστατευτικός εξοπλισμός όπως μάσκα σκόνης, υποδήματα ασφαλείας κατά το γλίστρημα, σκληρό καπέλο, ή προστασία ακοής για τις κατάλληλες συνθήκες θα μειώσουν τους σωματικούς τραυματισμούς.
- c. Να αποφεύγετε την εκκίνηση κατά λάθος. Επιβεβαιωθείτε ότι ο διακόπτης είναι στην θέση off πριν συνδέσετε την παροχή ρεύματος και/ή τη μπαταρία, πριν πιάστε ή μεταφέρετε το εργαλείο.** Η μεταφορά εργαλείων με το δάχτυλο στον διακόπτη ή η ενεργοποίηση εργαλείων με τον διακόπτη στη θέση on μπορεί να οδηγήσει σε ατυχήματα.
- d. Πριν θέσετε το ηλεκτρικό εργαλείο σε λειτουργία, αφαιρέστε τυχόν εργαλεία ή κλειδιά ρύθμισης.** Ενα εργαλείο ή κλειδί συναρμολογημένο στο περιστρεφόμενο εξάρτημα ενός ηλεκτρικού εργαλείου μπορεί να προκαλέσει τραυματισμούς.
- e. Μην τεντώνεστε. Φροντίστε πάντοτε να έχετε την κατάλληλη στάση και να διατηρείτε την ισορροπία σας.** Αυτό σας επιτρέπει τον καλύτερο έλεγχο του ηλεκτρικού εργαλείου σε περιπτώσεις απροσδόκων καταστάσεων.

- f. Φοράτε κατάλληλη ενδυμασία εργασίας. Μη φοράτε φαρδιά ρούχα κοσμήματα. Κρατάτε τα μαλλιά, τα ενδύματα και τα γάντια σας μακριά από τα κινούμενα εξαρτήματα. Τα φαρδιά ρούχα, τα κοσμήματα και τα μακριά μαλλιά μπορεί να εμπλακούν στα κινούμενα εξαρτήματα.**
- g. Αν προβλέπονται διατάξεις απαγωγής και συλλογής της σκόνης, βεβαιωθείτε ότι είναι συνδεδεμένες και ότι χρησιμοποιούνται σωστά. Η χρήση της συλλογής της σκόνης μπορεί να μειώσει τους κινδύνους σχετικά με τη σκόνη.**
- η. Μην αφήνετε την εξοικείωση που έχετε αποκτήσει από τη συχνή χρήση εργαλείων να σας επιτρέψει να εφησυχάσετε ώστε να αγνοείτε τις αρχές ασφαλούς χρήσης των εργαλείων. Μια απρόσεκτη ενέργεια μπορεί να προκαλέσει βαρύ τραυματισμό μέσα σε κλάσματα του δευτερολέπτου.**
- 4. Χρήση και συντήρηση του ηλεκτρικού εργαλείου**
- a. Μην υπερφορτώνετε το ηλεκτρικό εργαλείο. Χρησιμοποιείτε για την εκάστοτε εργασία σας το ηλεκτρικό εργαλείο που προορίζεται γι' αυτήν. Με το κατάλληλο ηλεκτρικό εργαλείο εργάζεσθε καλύτερα και ασφαλέστερα στην ονομαστική περιοχή ισχύος του.**
- b. Μη χρησιμοποιήσετε ποτέ ένα ηλεκτρικό εργαλείο του οποίου ο διακόπτης λειτουργίας είναι χαλασμένος. Ένα ηλεκτρικό εργαλείο του οποίου η λειτουργία δεν μπορεί να ελεγχθεί με το διακόπτη είναι επικίνδυνο και πρέπει να επισκευαστεί.**
- c. Αποσυνδέστε το βύσμα από τη πηγή ρεύματος και/ή το συγκρότημα μπαταρίας πριν κάνετε κάποια ρύθμιση, αλλάζετε τα αξεσουάρ, ή αποθηκεύετε τα ηλεκτρικά εργαλεία. Αυτά τα προληπτικά μέτρα ασφαλείας μειώνουν τον κίνδυνο να τεθεί το μηχάνημα αθέλητα σε λειτουργία.**
- d. Να φυλάτε τα ηλεκτρικά εργαλεία που δεν χρησιμοποιείτε μακριά από παιδιά. Μην αφήνετε άτομα που δεν είναι εξοικειωμένα με το ηλεκτρικό εργαλείο ή που δεν έχουν διαβάσει αυτές τις οδηγίες χρήσης να το χρησιμοποιήσουν. Τα ηλεκτρικά εργαλεία είναι επικίνδυνα όταν χρησιμοποιούνται από άπειρα άτομα.**
- e. Να συντηρείτε τα ηλεκτρικά εργαλεία. Ελέγξτε εάν τα κινούμενα μέρη είναι σωστά ευθυγραμμισμένα ή αν έχουν μπλοκάρει, εάν έχουν σπάσει κομμάτια και εάν πληρούνται όλες οι υπόλοιπες συνθήκες που ενδεχομένως να επηρεάσουν τη σωστή λειτουργία του εργαλείου. Δώστε τυχόν χαλασμένα εξαρτήματα του ηλεκτρικού εργαλείου για επισκευή πριν το χρησιμοποιήσετε πάλι. Η ανεπαρκής συντήρηση των**

ηλεκτρικών εργαλείων αποτελεί αιτία πολλών ατυχημάτων.

**f. Διατηρείτε τα κοπτικά εργαλεία κοφτερά και καθαρά.**

Τα κοπτικά εργαλεία με αιχμηρά κοπτικά άκρα που συντηρούνται σωστά έχουν λιγότερες πιθανότητες να μπλοκάρουν και ελέγχονται ευκολότερα.

**g. Να χρησιμοποιείτε το ηλεκτρικό εργαλείο, τα εξαρτήματα και τις μύτες κλπ σύμφωνα με αυτές τις οδηγίες, λαμβάνοντας υπόψη τις καταστάσεις εργασίας και την εργασία προς εκτέλεση.** Η χρήση του ηλεκτρικού εργαλείου για άλλες εκτός από τις προβλεπόμενες εργασίες μπορεί να δημιουργήσει επικίνδυνες καταστάσεις.

**η. Διατηρείτε τις λαβές και τις επιφάνειες κρατήματος στεγνές, καθαρές και απαλλαγμένες από λάδι και γράσο.** Οι ολισθηρές λαβές και επιφάνειες κρατήματος δεν επιτρέπουν τον ασφαλή χειρισμό και έλεγχο του εργαλείου σε μη αναμενόμενες καταστάσεις.

**5. Χρήση και συντήρηση του εργαλείου μπαταρίας**

**a. Να επαναφορτίζετε τις μπαταρίες μόνο με το φορτιστή που προβλέπει ο κατασκευαστής.** Ένας φορτιστής που είναι κατάλληλος για έναν τύπο μπαταρίας μπορεί να προκαλέσει πυρκαγιά όταν χρησιμοποιηθεί για τη φόρτιση κάποιου άλλου τύπου μπαταρίας.

**b. Να χρησιμοποιείτε τα ηλεκτρικά εργαλεία μόνο με τις προβλεπόμενες γι' αυτά μπαταρίες.**

Η χρήση μπαταριών διαφορετικού τύπου μπορεί να οδηγήσει σε τραυματισμούς ή πυρκαγιά.

**c. Να φυλάτε τις μπαταρίες που δεν χρησιμοποιείτε μακριά από μεταλλικά αντικείμενα, όπως συνδετήρες χαρτιών, νομίσματα, κλειδιά, καρφιά, βίδες κι άλλα παρόμοια μικροαντικείμενα, τα οποία θα μπορούσαν να γεφυρώσουν τους δυο πόλους.**

Τυχόν βραχυκύκλωση των πόλων της μπαταρίας μπορεί να προκαλέσει εγκαύματα ή πυρκαγιά.

**d. Υπό δυσμενείς συνθήκες λειτουργίας μπορεί να διαρρεύσουν υγρά από τη μπαταρία. Αποφεύγετε κάθε επαφή με μια μη στεγανή μπαταρία. Σε περίπτωση ακούσιας επαφής με τα υγρά, ξεπλύνετε αμέσως με νερό. Εκτός από αυτό, αν τα υγρά διεισδύσουν στα μάτια σας, επισκεφτείτε χωρίς καθυστέρηση ένα γιατρό.** Τα διαρρέοντα υγρά των μπαταριών μπορεί να προκαλέσουν ερεθισμούς ή και εγκαύματα.

**ε. Μη χρησιμοποιήσετε πακέτο μπαταρίας ή εργαλείο που έχει υποστεί ζημιά ή τροποποίηση.** Οι μπαταρίες που έχουν υποστεί ζημιά ή τροποποίηση μπορεί να έχουν απρόβλεπτη συμπεριφορά, με αποτέλεσμα φωτιά, έκρηξη ή κίνδυνο τραυματισμού.



**στ. Μην εκθέσετε ένα πακέτο μπαταρίας ή εργαλείο σε φωτιά ή υπερβολική θερμοκρασία.** Η έκθεση σε φωτιά ή σε θερμοκρασία πάνω από 130 °C μπορεί να προκαλέσει έκρηξη.

**ζ. Τηρείτε όλες τις οδηγίες φόρτισης και μη φορτίζετε το πακέτο μπαταρίας ή το εργαλείο εκτός των ορίων θερμοκρασίας που ορίζονται στις προδιαγραφές.** Η ακατάλληλη φόρτιση ή η φόρτιση σε θερμοκρασίες εκτός των προβλεπόμενων ορίων μπορεί να προξενήσει ζημιά στην μπαταρία και να αυξήσει τον κίνδυνο φωτιάς.

## 6. Σέρβις

- α. Το σέρβις του ηλεκτρικού σας εργαλείου πρέπει να αναλαμβάνει έμπειρος τεχνικός που θα χρησιμοποιεί μόνο γνήσια ανταλλακτικά.** Έτσι εξασφαλίζεται η διατήρηση της ασφάλειας του ηλεκτρικού εργαλείου.
- β. Ποτέ μην κάνετε σέρβις σε πακέτα μπαταριών που έχουν υποστεί ζημιά.** Το σέρβις των πακέτων μπαταριών πρέπει να γίνεται μόνο από τον κατασκευαστή ή από εξουσιοδοτημένους παρόχους σέρβις.

**Συμπληρωματικές προειδοποιήσεις ασφαλείας για ηλεκτρικά εργαλεία**



**Προειδοποίηση!** Πρόσθετες προειδοποιήσεις ασφαλείας για μηχανές φινιρίσματος ακρών

- ♦ **Κρατήστε όλα τα μέρη του σώματός σας μακριά από την λεπίδα του κόπτη. Μην αφαιρείτε τον κομμένο υλικό ή κρατάτε υλικό προς κοπή όταν οι λεπίδες δουλεύουν. Βεβαιωθείτε ότι ο διακόπτης είναι απενεργοποιημένος όταν καθαρίζετε φραγμένο υλικό.** Μια στιγμιαία απροσεξία κατά το χειρισμό του μηχανήματος φινιρίσματος ακρών μπορεί να οδηγήσει σε σοβαρούς τραυματισμούς.
- ♦ **Μεταφέρετε το μηχανήμα φινιρίσματος ακρών από την λαβή με σταματημένες λεπίδες κοπής.** Όταν μεταφέρετε ή αποθηκεύετε το μηχανήμα φινιρίσματος ακρών τοποθετήστε πάντα το κάλυμμα της συσκευής κοπής. Η σωστή μεταχείριση του μηχανήματος φινιρίσματος κοπής θα μειώσει τους πιθανούς σωματικούς τραυματισμούς από τις λεπίδες κοπής.
- ♦ **Κρατήστε το καλώδιο μακριά από την περιοχή κοπής.** Κατά την διάρκεια λειτουργίας το καλώδιο μπορεί να κρύβεται στους θάμνους και να κοπεί κατά λάθος.
- ♦ **Κρατήστε το εργαλείο μόνο από τις μονωμένες επιφάνειες επειδή η λεπίδα κοπής μπορεί να έρθει σε επαφή με κρυμμένο καλώδιο.** Οι λεπίδες κοπής όταν έρχονται σε επαφή με μια υπό τάση ευρισκόμενη

ηλεκτρική γραμμή μπορεί να θέτουν επίσης και τα μεταλλικά τμήματα του μηχανήματος υπό τάση κι έτσι μπορεί να οδηγήσει σε ηλεκτροπληξία.

- Η ενδεδειγμένη χρησιμοποίηση αναφέρεται σε αυτές τις οδηγίες χρήσεως. Τόσο η χρήση εξαρτημάτων ή προσθηκών όσο και η πραγματοποίηση εργασιών που δεν συνιστώνται στις οδηγίες αυτές εγκυμονεί κίνδυνο τραυματισμού και/η περιουσίας.
- Εάν δεν έχετε ξαναχρησιμοποιήσει εργαλείο κλαδέματος θάμνων, είναι προτιμότερο να ζητήσετε πρακτικές οδηγίες από έναν έμπειρο χρήστη αφού μελετήσετε αυτό το εγχειρίδιο.
- Ποτέ μην αγγίζετε τις λεπίδες όταν το εργαλείο είναι σε λειτουργία.
- Ποτέ μην επιχειρήσετε να ακινητοποιήσετε τις λεπίδες δια της βίας.
- Μην αποθέτετε το εργαλείο εάν δεν έχουν ακινητοποιηθεί τελείως οι λεπίδες.
- Ελέγχετε τακτικά τις λεπίδες για τυχόν ζημιές και φθορά. Μη χρησιμοποιείτε το εργαλείο αν οι λεπίδες εμφανίζουν φθορά.
- Φροντίστε να αποφεύγετε τα σκληρά αντικείμενα (π.χ. μεταλλικά σύρματα, κάγκελα) όταν κλαδεύετε. Εάν προσκρούσετε σε τέτοιο αντικείμενο κατά λάθος, θέστε αμέσως εκτός λειτουργίας το εργαλείο και ελέγξτε για τυχόν ζημιές.
- Αν το εργαλείο αρχίσει να τρέμει αφύσικα, θέστε το αμέσως εκτός

λειτουργίας και ελέγξτε για τυχόν ζημιές.

- Αν το εργαλείο μπλοκάρει, θέστε το αμέσως εκτός λειτουργίας.
- Μετά τη χρήση, τοποθετήστε τις λεπίδες στη θήκη που παρέχεται. Αποθηκεύστε το εργαλείο, επιβεβαιώνοντας ότι δεν είναι εκτεθειμένη η λεπίδα.
- Όταν χρησιμοποιείτε το εργαλείο, να βεβαιώνετε πάντα ότι έχουν τοποθετηθεί όλοι οι προφυλακτήρες. Ποτέ μην επιχειρείτε να χρησιμοποιήσετε ένα ελλειπές εργαλείο ή ένα εργαλείο που έχει υποστεί μη εγκεκριμένες τροποποιήσεις.
- Ποτέ μην αφήνετε παιδιά να χρησιμοποιούν το εργαλείο.
- Προσέξτε τα απορρίμματα που πέφτουν όταν κόβετε τις υψηλότερες πλευρές ενός θάμνου.

## Συμπληρωματικές προειδοποιήσεις ασφαλείας για ηλεκτρικά εργαλεία



### Προειδοποίηση!

Συμπληρωματικές προειδοποιήσεις ασφαλείας για εργαλεία κλαδέματος

- Ποτέ μην επιτρέπετε σε μικρά παιδιά ή σε άτομα που δεν έχουν διαβάσει το εγχειρίδιο οδηγιών να χρησιμοποιήσουν του μηχανήμα. Ενδέχεται να υπάρχουν νομικοί περιορισμοί σχετικά με την ηλικία του χειριστή.

- Να έχετε υπόψη σας ότι ο χειριστής ή χρήστης είναι υπεύθυνος για τυχόν ατυχήματα σε τρίτους ή ζημιές που ενδεχομένως να προκληθούν στην περιουσία τους.
- Ποτέ μη χρησιμοποιείτε το μηχάνημα όταν βρίσκονται κοντά άλλοι άνθρωποι, ιδιαίτερα παιδιά ή κατοικίδια.
- Χρησιμοποιείτε το μηχάνημα μόνο στο φως της ημέρας ή σε επαρκές τεχνητό φως.
- Θα πρέπει να προσέχετε τα ανοίγματα εξαερισμού να μην παρεμποδίζονται από σκουπίδια και άλλα αντικείμενα.
- Να χρησιμοποιείτε μόνο ανταλλακτικά και εξαρτήματα που συνιστώνται από τον κατασκευαστή.
- Επιθεωρήστε και συντηρήστε τακτικά το μηχάνημα. Φροντίστε για την επισκευή του μηχανήματος να γίνει μόνο από εξουσιοδοτημένο επισκευαστή.

## Ασφάλεια άλλων

- Αυτή η συσκευή μπορεί να χρησιμοποιηθεί από παιδιά ηλικίας 8 ετών και άνω καθώς και από άτομα με μειωμένες σωματικές, αισθητηριακές ή διανοητικές ικανότητες ή άτομα χωρίς εμπειρία και γνώσεις. Μόνο εφόσον επιτηρούνται ή τους έχουν δοθεί οδηγίες σχετικά με την ασφαλή χρήση της συσκευής και έχουν κατανοήσει τους πιθανούς κινδύνους.
- Τα παιδιά δεν πρέπει να παίζουν με τη συσκευή. Ο καθαρισμός και η

συντήρηση δεν πρέπει να γίνονται από παιδιά χωρίς επίβλεψη.

## Δόνηση

Οι δηλωμένες τιμές εκπομπής δόνησης στον τομέα τεχνικών χαρακτηριστικών και στη δήλωση συμμόρφωσης έχουν μετρηθεί σύμφωνα με μια πρότυπη μέθοδος δοκιμής παρεχόμενη από το EN 60745 και μπορεί να χρησιμοποιηθεί για την σύγκριση ενός εργαλείου με ένα άλλο. Η δηλωμένη τιμή εκπομπής δόνησης μπορεί να χρησιμοποιηθεί επίσης σε μια προκαταρκτική εκτίμηση έκθεσης.

**Προσοχή!** Η τιμή εκπομπής δόνησης κατά τη παρόν χρήση του ηλεκτρικού εργαλείου μπορεί να διαφέρει από τη δηλωμένη τιμή αναλόγως με τον τρόπο που χρησιμοποιείται το εργαλείο. Το επίπεδο δόνησης μπορεί να αυξηθεί πάνω από το δηλωμένο επίπεδο.

Κατά την εκτίμηση έκθεσης στη δόνηση για να αποφασιστούν τα μέτρα ασφαλείας που απαιτούνται από το 2002/44/ΕΚ για την προστασία ατόμων που χρησιμοποιούν τακτικά το εργαλείο, πρέπει να ληφθεί υπόψη μια εκτίμηση έκθεσης δόνησης, οι παρόν καταστάσεις χρήσης και ο τροφός χρήσης εργαλείου, συμπεριλαμβάνοντας όλα τα μερί του κύκλου εργασίας όπως πόσες φορές σβήνεται το εργαλείο και όταν δουλεύει χωρίς φορτίο πρόσθετα πόσες φορές πατιέται η σκανδάλη.

## Ετικέτες επάνω στο εργαλείο

Τα ακόλουθα εικονογράμματα, μαζί με τον κωδικό ημερομηνία που αναγράφεται στο εργαλείο:



**Προειδοποίηση!** Για να μειώσετε τον κίνδυνο τραυματισμού, ο χρήστης πρέπει να διαβάσει το εγχειρίδιο οδηγιών.



Όταν χρησιμοποιείτε αυτό το εργαλείο, να φοράτε προστατευτικά γυαλιά.



Μην αφήνετε το εργαλείο στη βροχή ή σε έντονη υγρασία.



Προσοχή από τις αιχμηρές λεπίδες. Οι λεπίδες συνεχίζουν να περιστρέφονται μετά το σβήσιμο του κινητήρα.



Προσοχή από τα αντικείμενα που εκτινάσσονται.



Συσκευή κλάσης III.



Εγγυημένη ηχητική ισχύς σύμφωνα με την Οδηγία 2000/14/ΕΚ.

## Επιπρόσθετες οδηγίες ασφαλείας για μπαταρίες και φορτιστές

### Μπαταρίες

- Μην επιχειρήσετε ποτέ να την ανοίξετε, για κανένα λόγο.
- Μην εκθέτετε την μπαταρία σε νερό.

- Μην την αποθηκεύετε σε χώρους όπου η θερμοκρασία μπορεί να υπερβεί τους 40 °C.
- Να τη φορτίζετε μόνο σε θερμοκρασία περιβάλλοντος μεταξύ 10 °C και 40 °C.
- Η φόρτιση πρέπει να γίνεται μόνο με το φορτιστή που παρέχεται με το εργαλείο. Η χρήση λανθασμένου φορτιστή μπορεί να προκαλέσει ηλεκτροπληξία ή υπερθέρμανση της μπαταρίας.
- Σε ότι αφορά την απόρριψη των μπαταριών, ακολουθήστε τις οδηγίες που παρατίθενται στην ενότητα "Διάθεση εργαλείων και περιβάλλον".
- Μην προκαλείτε ζημιές ή παραμορφώσεις στη μπαταρία, τρυπώντας ή χτυπώντας τη, καθώς οι ενέργειες αυτές εγκυμονούν κίνδυνο τραυματισμού ή πυρκαγιάς.
- Μη φορτίζετε φθαρμένες μπαταρίες.
- Σε περίπτωση έκθεσης σε ακραίες συνθήκες, η μπαταρία ενδέχεται να παρουσιάσει διαρροή. Όταν προσέχετε υγρά στις μπαταρίες, σκουπίστε με προσοχή το υγρό χρησιμοποιώντας ένα πανί. Αποφύγετε την επαφή με το δέρμα.
- Σε περίπτωση επαφής με το δέρμα ή τα μάτια, ακολουθήστε τις παρακάτω οδηγίες.

**Προειδοποίηση!** Το υγρό μπαταριών μπορεί να προκαλέσει σωματικές βλάβες ή καταστροφή περιουσίας. Σε περίπτωση δερματικής επαφής, ξεπλύνετε αμέσως με νερό. Εάν υπάρχει

ερυθρότητα, πόνος ή ερεθισμός αναζητήστε ιατρική βοήθεια. Σε περίπτωση επαφής με τα μάτια, ξεπλύνετε αμέσως με καθαρό νερό και αναζητήστε ιατρική βοήθεια.

## Φορτιστές

Ο φορτιστής σας έχει σχεδιαστεί για συγκεκριμένες τάσεις. Ελέγχετε πάντα αν η τάση τροφοδοσίας αντιστοιχεί σε αυτήν που αναγράφεται στην πινακίδα χαρακτηριστικών.

**Προειδοποίηση!** Ποτέ μην επιχειρήσετε να υποκαταστήσετε

- το φορτιστή με κοινή πρίζα ρεύματος.
- ♦ Χρησιμοποιήστε μόνο το φορτιστή της BLACK+DECKER για τη φόρτιση μπαταριών του τύπου που συνοδεύει το εργαλείο σας. Σε άλλες μπαταρίες ενδέχεται να σημειωθεί διάρρηξη, προκαλώντας τραυματισμό και ζημιά.
- ♦ Μην επιχειρήσετε ποτέ να επαναφορτίσετε μη επαναφορτιζόμενες μπαταρίες.
- ♦ Αν το καλώδιο ρεύματος έχει υποστεί βλάβη, πρέπει να αντικατασταθεί από τον κατασκευαστή ή από εξουσιοδοτημένο Κέντρο Επισκευών BLACK+DECKER ώστε να αποφύγετε τους κινδύνους.
- ♦ Μην εκθέτετε το φορτιστή σε νερό.
- ♦ Μην ανοίγετε το φορτιστή.
- ♦ Μην επιχειρήσετε να διερευνήσετε το εσωτερικό του φορτιστή.
- ♦ Η συσκευή/εργαλείο/μπαταρία πρέπει να τοποθετηθεί σε μια καλά αερισμένη περιοχή όταν φορτώνει.



Ο φορτιστής προορίζεται για χρήση μόνο σε εσωτερικούς χώρους.



Διαβάστε το εγχειρίδιο οδηγιών πριν τη χρήση.

## Ασφαλής χρήση ηλεκτρικού ρεύματος



Ο φορτιστής σας φέρει διπλή μόνωση, επομένως δεν απαιτείται σύρμα γείωσης. Ελέγχετε πάντα αν η τάση τροφοδοσίας αντιστοιχεί σε αυτήν που αναγράφεται στην πινακίδα χαρακτηριστικών.

- ♦ Αν το καλώδιο ρεύματος έχει υποστεί βλάβη, πρέπει να αντικατασταθεί από τον κατασκευαστή ή από εξουσιοδοτημένο Κέντρο Επισκευών BLACK+DECKER ώστε να αποφύγετε τους κινδύνους.
- ♦ Προειδοποίηση! Ποτέ μην επιχειρήσετε να υποκαταστήσετε το φορτιστή με κοινή πρίζα ρεύματος.

### Χαρακτηριστικά

1. Διακόπτης on/off
2. Μπουτόν ασφαλίστης
3. Κουμπί απελευθέρωσης λεπίδας
4. Λεπίδα κλαδέματος (GSL200/GSL360/GSL700)
5. Λεπίδα φινιρίσματος (GSL300/GSL360/GSL700)
6. Ενδειξη φόρτισης

### Συναρμολόγηση

**Προειδοποίηση!** Προσέξτε να μη θέσετε κατά λάθος σε λειτουργία το εργαλείο κατά τη διάρκεια της συναρμολόγησης.

## Τοποθέτηση επίτοιχης βάσης στον τοίχο (εικ. A & B)

Η επίτοιχη βάση μπορεί να τοποθετηθεί στον τοίχο, αποτελώντας έτσι ένα βολικό σημείο φύλαξης και φόρτισης του εργαλείου.

- ◆ Βιδώστε τις βίδες στον τοίχο μέσα από τις οπές στα ανοίγματα της επίτοιχης βάσης.
- ◆ Τοποθετήστε το εργαλείο στην επίτοιχη βάση.
- ◆ Συνδέστε τον φορτιστή, επιβεβαιώνοντας ότι η ένδειξη φόρτισης (6) ανάβει (εικ. A).
- ◆ Εάν χρειαστεί, χρησιμοποιήστε τα δυο στηρίγματα (7) κάτω από την επίτοιχη βάση για να αποθηκεύσετε την εφεδρική λεπίδα (εικ. B).

**Προειδοποίηση!** Αποφύγετε την καταστροφή καλωδίου ρεύματος όταν τοποθετήσετε τη επίτοιχη βάση στον τοίχο.

## Αφαίρεση βύσματος του φορτιστή από τηνεπίτοιχη βάση (εικ. C)

Το εργαλείο μπορεί να φορτίσει χωρίς τη χρήση της επίτοιχης βάσης. Το βύσμα του φορτιστή μπορεί να συνδεθεί απευθείας με το εργαλείο.

- ◆ Αφαιρέστε τις βίδες από πίσω από την επίτοιχη βάση.
- ◆ Σύρετε το πίσω μέρος (8) από το μπροστινό μέρος (9) για να ανοίξετε την επίτοιχη βάση.
- ◆ Αφαιρέστε το βύσμα του φορτιστή από την επίτοιχη βάση.

## Τοποθέτηση και αφαίρεση της λεπίδας (εικ. D & E)

Η Λεπίδα κλάδεματος (4) έχει σχεδιαστεί για το κλάδεμα χόρτων. Η λεπίδα φινιρίσματος (5) έχει σχεδιαστεί για το κλάδεμα θάμνων και φρύγανων.

- ◆ Αφαιρέστε το κάλυμμα της λεπίδας.
- ◆ Πατήστε και κρατήστε το κουμπί απελευθέρωσης λεπίδας (3) στη κατεύθυνση βέλων (εικ. D1).
- ◆ Σύρετε το κάλυμμα της λεπίδας (10) προς τα πίσω και σηκώστε το (εικ. D2).
- ◆ Χαμηλώστε τη λεπίδα πάνω στις ακίδες.
- ◆ Ενώ κρατάτε τη λεπίδα στις περόνες (εικ. E1), τοποθετήστε το κάλυμμα της λεπίδας (10) και σύρετε το μπροστά (εικ. E2).

**Σημείωση:** Δεν χρειάζεται ευθυγράμμιση της λεπίδας με τη περόνη οδήγησης και δεν χρειάζεται λειτουργία του κουμπιού απελευθέρωσης καλύμματος λεπίδας όταν τοποθετείτε το κάλυμμα της λεπίδας.

## Χρήση

**Προειδοποίηση!** Αφήστε το εργαλείο να λειτουργήσει με το δικό του ρυθμό. Μην το υπερφορτώνετε.

## Φόρτιση της μπαταρίας

Η μπαταρία πρέπει να φορτιστεί πριν από την πρώτη χρήση και όποτε δεν μπορεί να παράγει αρκετή ισχύ για εργασίες

που παλαιότερα εκτελούνταν με ευκολία. Όταν η μπαταρία φορτίζεται για πρώτη φορά ή μετά από παρατεταμένη αποθήκευση, θα φορτιστεί μόνο κατά το 80%. Μετά από μερικούς κύκλους φόρτισης και αποφόρτισης, η μπαταρία θα αποκτήσει πλήρη χωρητικότητα. Η μπαταρία μπορεί να ζεσταθεί κατά τη φόρτισή της. Αυτό είναι φυσιολογικό και δεν είναι ενδεικτικό κάποιου προβλήματος.

**Προειδοποίηση!** Μη φορτίζετε τη μπαταρία σε θερμοκρασίες περιβάλλοντος κάτω των 10 °C ή άνω των 40 °C.

Συνιστώμενη θερμοκρασία φόρτισης: περίπου 24 °C.

Το εργαλείο μπορεί να παραμείνει συνδεδεμένο με το φορτιστή για απερίοριστο χρονικό διάστημα. Για να μεγιστοποιηθεί η διάρκεια ζωής της μπαταρίας, συνιστάται η μπαταρία να παραμένει συνδεδεμένη στο φορτιστή όποτε το εργαλείο δεν χρησιμοποιείται.

Όταν η μπαταρία είναι τελείως φορτισμένη, η κατανάλωση του φορτιστή είναι αμελητέα.

## Φόρτιση με την επίτοιχη βάση (εικ. F)

- ◆ Τοποθετήστε το εργαλείο στην επίτοιχη βάση (11).
- ◆ Συνδέστε το φορτιστή στην πρίζα.

## Φόρτιση με βύσμα φόρτισης (εικ. G)

Το βύσμα φόρτισης έχει σχεδιαστεί με ασφάλεια που αποτρέπει τη χρήση λανθασμένου φορτιστή.

- ◆ Εισαγάγετε το βύσμα φορτιστή (12) στο ακροδέκτη σύνδεσης στην πίσω πλευρά του εργαλείου.
- ◆ Συνδέστε το φορτιστή στην πρίζα.

## GSL200/GSL300/GSL360 - Φόρτιση της μπαταρίας

- ◆ Φορτίστε τη μπαταρία.

Όταν η φόρτιση της μπαταρίας έχει ολοκληρωθεί, η ένδειξη φόρτισης (6) ανάβει. Η ένδειξη φόρτισης σβήνει όταν η φόρτιση ολοκληρώνεται.

## GSL700 - Φόρτιση μπαταρίας

- ◆ Φορτίστε τη μπαταρία.

Όταν η φόρτιση της μπαταρίας έχει ολοκληρωθεί, η ένδειξη φόρτισης (6) αναβοσβήνει. Η ένδειξη φόρτισης σταματάει να αναβοσβήνει όταν η φόρτιση ολοκληρώνεται. Η ένδειξη μπαταρίας αναβοσβήνει γρήγορα για να δείξει ένα πρόβλημα φόρτισης. Όταν υπάρχει ένα πρόβλημα φόρτισης, συνδέστε το εργαλείο απευθείας με το βύσμα του φορτιστή βγάζοντας την επίτοιχη βάση. Εάν το πρόβλημα φόρτισης εξακολουθεί να υπάρχει, ο φορτιστής πρέπει να αποσυνδεθεί από την κεντρική παροχή ρεύματος και να αποσταλεί σε ένα εξουσιοδοτημένο κέντρο επισκευής για επισκευή.

## Θέση εντός και εκτός λειτουργίας (εικ. Η)

### Θέση σε λειτουργία

- ♦ Πατήστε και κρατήστε πατημένο το κουμπί ασφάλισης (2) στα δεξιά ή αριστερά και στη συνέχεια πατήστε τον διακόπτη on/off (1).
- ♦ Αφήστε το κουμπί απασφάλισης.

### Θέση εκτός λειτουργίας

- ♦ Αφήστε τον διακόπτη (on/off) (1).

**Προειδοποίηση!** Ποτέ μην επιχειρήσετε να ασφαλίσετε το διακόπτη στη θέση λειτουργίας.

### Συμβουλές για άριστη χρήση (εικ. I & J)

- ♦ Ψεκάστε τη λεπίδα με ένα ελαφρύ στρώμα του φωτός γενικής χρήσης πετρελαίου πριν από την πρώτη χρήση και κάθε φορά που οι λεπίδες αρχίζουν να φαίνονται στεγνά.

### Κλάδεμα χόρτου

- ♦ Για να πετύχετε το καλύτερο δυνατό αποτέλεσμα κοπής, κόψτε το χόρτο μόνο όταν είναι στεγνό.
- ♦ Κρατήστε το εργαλείο όπως απεικονίζεται στην εικ. I1 & I2. Κρατήστε το άλλο χέρι σας μακριά από τη λεπίδα. Καθίστε σε μια σταθερή θέση εργασίας για να μην γλιστρήσετε. Μην τεντώνεστε.
- ♦ Κατά την κοπή χόρτου μεγάλου ύψους, εργαστείτε σε πολλά διαδοχικά περάσματα ξεκινώντας από τη κορυφή. Κόψτε λίγο χόρτο κάθε φορά.
- ♦ Φροντίστε η μηχανή να παραμένει μακριά από σκληρά αντικείμενα και από ευαίσθητα φυτά.
- ♦ Αν η μηχανή αρχίσει να ζορίζεται και να κινείται με μικρή ταχύτητα, ελαττώστε το φορτίο.
- ♦ Για να διαμορφώσετε λίγο πιο βαθιά κοπή, γείρετε ελαφρά το εργαλείο.

### Κλάδεμα θάμνων

- ♦ Γείρετε ελάχιστα το εργαλείο (έως 15° σε σχέση με τη γραμμή κοπής) ώστε τα άκρα της λεπίδας να δείχνουν ελαφρά προς το μέρος του θάμνου (εικ. J1). Έτσι οι λεπίδες θα κόβουν πιο αποτελεσματικά.
- ♦ Ξεκινήστε κλαδεύοντας την κορυφή του θάμνου. Κρατήστε το εργαλείο σε όποια γωνία θέλετε και μετακινήστε το σταθερά κατά μήκος της γραμμής κοπής (εικ. J2). Η λεπίδα διπλής όψης σας επιτρέπει να κόβετε προς οποιαδήποτε κατεύθυνση.
- ♦ Για να κόψετε σε απόλυτη ευθεία, τεντώστε ένα κομμάτι σπάγκου κατά μήκος του θάμνου στο επιθυμητό ύψος. Χρησιμοποιήστε το σπάγκο ως οδηγό, κόβοντας λίγο πιο πάνω από αυτόν.
- ♦ Για να επιτύχετε επίπεδες πλευρές, κόβετε προς τα πάνω προς την κατεύθυνση της ανάπτυξης του φυτού. Οι νεότεροι μίσχοι μετακινούνται προς τα έξω όταν

η λεπίδα κόβει προς τα κάτω, προκαλώντας έτσι κενά σημεία στο θάμνο.

- ♦ Προσέχετε να αποφύγετε τυχόν ξένα αντικείμενα. Αποφεύγετε ειδικά τα σκληρά αντικείμενα, όπως μεταλλικά σύρματα και κάγκελα, καθώς μπορεί να προκαλέσουν ζημιά στις λεπίδες.
- ♦ Λαδώνετε τακτικά τις λεπίδες.

### Πότε να ψαλιδίσετε

- ♦ Ως γενικός κανόνας, οι φράκτες και οι θάμνοι με εποχιακά φύλλα (νέα κάθε χρόνο) μπορούν να ψαλιδιστούν τον Ιούνιο και τον Οκτώβριο.
- ♦ Τα αειθαλή δέντρα μπορούν να ψαλιδιστούν τον Απρίλιο και τον Αύγουστο.
- ♦ Κωνοφόρα δέντρα και άλλοι θάμνοι που αναπτύσσονται γρήγορα μπορούν να ψαλιδίζονται περίπου κάθε έξι μήνες από τον Μάιο και μετέπειτα.

### Συντήρηση

Αυτό το εργαλείο/συσκευή της BLACK+DECKER με καλώδιο/ ασύρματο έχει σχεδιαστεί έτσι ώστε να λειτουργεί για μεγάλο χρονικό διάστημα με την ελάχιστη δυνατή φροντίδα. Η αδιάλειπτη και κανονική λειτουργία του εργαλείου εξαρτάται από τη φροντίδα και τον τακτικό καθαρισμό.

**Προειδοποίηση!** Πριν εκτελέσετε οποιαδήποτε συντήρηση των ενσώρματων/ασύρματων ηλεκτρικών εργαλείων:

- ♦ Θέστε τη συσκευή/εργαλείο εκτός λειτουργίας και βγάλτε το από την πρίζα.
- ♦ Η θέση εκτός λειτουργίας και αφαιρέστε τη μπαταρία από τη συσκευή/εργαλείο εάν η συσκευή/εργαλείο έχει ένα ξεχωριστό συγκρότημα μπαταρίας.
- ♦ Η αδειάστε εντελώς τη μπαταρία εάν είναι ενσωματωμένη και μετά θέστε εκτός λειτουργίας το μηχάνημα.
- ♦ Βγάλτε τον φορτιστή από την πρίζα πριν τον καθαρίσετε. Ο φορτιστής σας δεν απαιτεί καμία συντήρηση εκτός από τον τακτικό καθαρισμό του.
- ♦ Καθαρίζετε τακτικά τις οπές εξερισμού του εργαλείου/ συσκευής σας και του φορτιστή με μαλακή βούρτσα ή με στεγνό πανί.
- ♦ Να καθαρίζετε τακτικά το περίβλημα του μοτέρ χρησιμοποιώντας ένα υγρό πανί. Μη χρησιμοποιείτε αποξυστικά καθαριστικά ή υγρά καθαρισμού που περιέχουν διαλύτες.
- ♦ Να ανοίγετε τακτικά το τσοκ και να το αδειάζετε, προκειμένου να αφαιρείται η σκόνη από το εσωτερικό του (όταν υπάρχει).
- ♦ Μετά τη χρήση, καθαρίστε προσεκτικά τις λεπίδες. Μετά τον καθαρισμό, απλώστε μια στρώση ελαφίου λαδιού μηχανής για να αποφύγετε το σκουριασμα των λεπίδων.



## Αποθήκευση

Όταν το εργαλείο δεν πρόκειται να χρησιμοποιηθεί για μερικούς μήνες, το καλύτερο θα ήταν να αφήσετε τη μπαταρία συνδεδεμένη στο φορτιστή. Στην αντίθετη περίπτωση, ενεργήστε ως ακολούθως:

- ◆ Φορτίστε πλήρως τη μπαταρία.
- ◆ Φυλάξτε το εργαλείο σε ασφαλές και ξηρό χώρο. Η θερμοκρασία φύλαξης πρέπει να είναι πάντα μεταξύ +5 °C και +40 °C.
- ◆ Προτού χρησιμοποιήσετε το εργαλείο μετά από μια παρατεταμένη περίοδο αποθήκευσης, φορτίστε πλήρως τη μπαταρία και πάλι.

## Προστασία του περιβάλλοντος



Χωριστή συλλογή. Τα προϊόντα και οι μπαταρίες που επισημαίνονται με αυτό το σύμβολο δεν πρέπει να απορρίπτονται μαζί με τα κανονικά οικιακά απορρίμματα.

Τα προϊόντα και οι μπαταρίες περιέχουν υλικά που μπορούν να ανακτηθούν ή να ανακυκλωθούν ώστε να μειωθούν οι ανάγκες για πρώτες ύλες. Παρακαλούμε να ανακυκλώνετε τα ηλεκτρικά προϊόντα και τις μπαταρίες σύμφωνα με τους τοπικούς κανονισμούς. Περισσότερες πληροφορίες διατίθενται στον ιστότοπο [www.2helpU.com](http://www.2helpU.com)

## Τεχνικά δεδομένα

		GSL200 (H1)	GSL300 (H1)
Τάση	V <sub>DC</sub>	3.6	3.6
Διαδρομές λεπίδας (χωρίς φορτίο)	min <sup>-1</sup>	850	850
Μήκος λεπίδας (κλάδεμα)	cm	10	-
Διάκενο λεπίδας (κλάδεμα)	mm	23	-
Μήκος λεπίδας (φινίρισμα)	cm	-	15
Διάκενο λεπίδας (φινίρισμα)	mm	-	8
Χρόνος πέδησης λεπίδας	s	< 1	< 1
Βάρος	kg	0.65	0.65

		GSL360 (H1)	GSL700 (H1)
Τάση	V <sub>DC</sub>	3.6	7.0
Διαδρομές λεπίδας (χωρίς φορτίο)	min <sup>-1</sup>	850	850
Μήκος λεπίδας (κλάδεμα)	cm	10	10
Διάκενο λεπίδας (κλάδεμα)	mm	23	23
Μήκος λεπίδας (φινίρισμα)	cm	15	15
Διάκενο λεπίδας (φινίρισμα)	mm	8	8
Χρόνος πέδησης λεπίδας	s	< 1	< 1
Βάρος	kg	0.65	0.65

Φορτιστής		905450xx	905527xx 90600xxx
Τάση δικτύου	V <sub>AC</sub>	230	230
Τάση εξόδου	V <sub>DC</sub>	9	10
Αμπεράζ	mA	100	120
Χρόνος φόρτισης κατά προσέγγιση	h	19	14
Βάρος	kg	0.15	0.15

Äänenpainetaso, määritetty EN 60745-standardin mukaan:

Πίεση ήχου (L<sub>PA</sub>) 66 dB(A), αβεβαιότητα (K) 3 dB(A)

Ακουστική ισχύς (L<sub>WA</sub>) 77 dB(A), αβεβαιότητα (K) 3 dB(A)

Συνολικές τιμές κραδασμών (διανυσματικό άθροισμα τριών αξόνων) κατά EN 60745:

Τιμή εκπομπής δόνησης (a<sub>w</sub>) 3.1 m/s<sup>2</sup>, αβεβαιότητα (K) 1.5 m/s<sup>2</sup>

**Δήλωση συμμόρφωσης ΕΚ**  
ΟΔΗΓΙΑ ΠΕΡΙ ΜΗΧΑΝΗΜΑΤΩΝ  
ΟΔΗΓΙΑ ΘΟΥΡΥΒΟΥ ΕΞΩΤΕΡΙΚΩΝ ΧΩΡΩΝ



Εργαλείο κλαδέματος κοπής GSL200/GSL300/GSL360/  
GSL700

Black & Decker δηλώνει ότι αυτά τα προϊόντα που περιγράφονται στον τομέα "τεχνικά χαρακτηριστικά" είναι σε συμμόρφωση με:  
EN60745-1:2009+A11:2010, EN60745-2-15:2009+A1:2010  
2000/14/EC, Κλαδέματος, Παράρτημα V

Επίπεδο ακουστικής ισχύος σύμφωνα με (5) 2000/14/EK  
(Άρθρο 13):

L<sub>WA</sub> (μετρημένη ισχύς ήχου) 77 dB(A)

L<sub>WA</sub> (εγγυημένη ισχύς ήχου) 87 dB(A)

Αυτά τα προϊόντα συμμορφώνονται επίσης με την οδηγία  
2006/42/EC, 2014/30/EE and 2011/65/EE.

Για περισσότερες  
πληροφορίες, παρακαλείστε να επικοινωνήσετε με την Black  
& Decker Europe στην παρακάτω διεύθυνση ή να ανατρέξετε  
στο πίσω μέρος του εγχειριδίου.

Ο υπογεγραμμένος είναι υπεύθυνος για τη σύνταξη του  
τεχνικού αρχείου και κάνει την παρών δήλωση εκ μέρους της  
Black & Decker.



Ray Laverick  
Director of Engineering  
Black & Decker Europe, 210 Bath Road, Slough,  
Berkshire, SL1 3YD  
Ηνωμένο Βασίλειο  
24/07/2018

## Εγγύηση

Η Black & Decker είναι σίγουρη για την ποιότητα των προ-  
ϊόντων της και προσφέρει στους καταναλωτές εγγύηση 24  
μηνών από την ημερομηνία αγοράς. Αυτή η εγγύηση είναι  
πρόσθετο δικαίωμά σας και δεν ζημιώνει τα νόμιμα  
δικαιώ- ματά σας. Η εγγύηση ισχύει εντός της επικράτειας  
των χωρών μελών της Ευρωπαϊκής Ένωσης και της  
Ευρωπαϊκής Ζώνης  
Ελεύθερων Συναλλαγών.

Για να υποβάλετε αξίωση βάσει της εγγύησης, η αξίωση θα  
πρέπει να είναι σύμφωνη με τους Όρους και προϋποθέσεις  
της Black&Decker και θα χρειαστεί να υποβάλετε απόδειξη  
αγοράς στον πωλητή ή σε εξουσιοδοτημένο αντιπρόσωπο  
επισκευών. Μπορείτε να αποκτήσετε τους Όρους και προ-  
ϋποθέσεις της εγγύησης 2 ετών της Black&Decker και να  
μάθετε την τοποθεσία του πλησιέστερου εξουσιοδοτημένου  
αντιπροσώπου επισκευών στο Internet στο [www.2helpU.com](http://www.2helpU.com),  
ή επικοινωνώντας με το τοπικό σας γραφείο Black & Decker  
στη διεύθυνση που υποδεικνύεται στο παρόν εγχειρίδιο.

Παρακαλούμε επισκεφθείτε την ιστοσελίδα μας [www.  
blackanddecker.gr](http://www.blackanddecker.gr) για να καταχωρίσετε το νέο σας προϊόν  
Black & Decker και για να ενημερώνεστε για τα νέα προϊόντα  
και τις ειδικές προσφορές.





<b>België/Belgique/Luxembourg</b> www.blackanddecker.be enduser.be@sbdinc.com	Stanley Black & Decker Belgium BVBA Egide Walschaertsstraat 16 2800 Mechelen	Tel. NL +32 15 47 37 65 Tel. FR +32 15 47 37 66 Fax. +32 15 47 37 99
<b>Danmark</b>	Black & Decker Roskildevej 22 2620 Albertslund	kundeservice.dk@sbdinc.com www.blackanddecker.dk
<b>Deutschland</b> www.blackanddecker.de infobfge@sdbinc.com	Stanley Black & Decker Deutschland GmbH Black & Decker Str. 40, D - 65510 Idstein	Tel. 06126 21-0 Fax 06126 21-2980
<b>Ελλάδα</b> www.blackanddecker.gr greece.service@sbdinc.com	Stanley Black & Decker (ΕΛΛΑΣ) Ε.Π.Ε ΓΡΑΦΕΙΑ: Σπύριδωνος 7 & Βουλιαγμένης 166 74 Γλυφάδα - Αθήνα	Τηλ. 210-8981616 Φαξ 210-8983570
<b>SERVICE:</b>	Ημερος Τόπος 2 -Χάνι Αδάμ 193 00 Ασπρόπυργος - Αθήνα	Τηλ. Service 210-8985208 Φαξ 210-5597598
<b>España</b> www.blackanddecker.es respuesta.posventa@sbdinc.com	Stanley Black & Decker Ibérica, S.C.A. Parc de Negocis "Mas Blau" Edificio Muntadas, c/Bergadá, 1, Of. A6 08820 El Prat de Llobregat (Barcelona)	Tel. 934 797 400 Fax 934 797 419
<b>France</b> www.blackanddecker.fr	Black & Decker (France) S.A.S. 5 allée des Hêtres B.P. 30084 69579 Limonest Cédex	Tel. 04 72 20 39 20 Fax 04 72 20 39 00
<b>Helvetia</b> www.blackanddecker.ch service@rofoag.ch	ROFO AG Gewerbezone Seeblick 3213 Kleinbösingen	Tel. 026-6749393 Fax 026-6749394
<b>Italia</b> www.blackanddecker.it service.italia@sbdinc.com	Stanley Black & Decker Italia Via Energypark 6 20871 Vimercate (MB)	Tel. 039-9590200 Fax 039-9590313 Numero verde 800-213935
<b>Nederland</b> www.blackanddecker.nl enduser.nl@sbdinc.com	Stanley Black & Decker Netherlands BV Holtum Noordweg 35, 6121 RE BORN Postbus 83, 6120 AB BORN	Tel. +31 164 283 065 Fax +31 164 283 200
<b>Norge</b>	Black & Decker Postboks 4613, Nydalen 0405 Oslo	kundeservice.no@sbdinc.com www.blackanddecker.no
<b>Österreich</b> www.blackanddecker.at service.austria@sbdinc.com	Stanley Black & Decker Austria GmbH Oberlaaerstraße 248, A-1230 Wien	Tel. 01 66116-0 Fax 01 66116-614
<b>Portugal</b> www.blackanddecker.pt resposta.posvenda@sbdinc.com	Black & Decker Limited SARL Quinta da Fonte - Edifício Q55 D. Diniz Rua dos Malhães, 2 e 2A - Piso 2 Esquerdo 2770 - 071 Paço de Arcos	Tel. 214667500 Fax 214667580
<b>Suomi</b>	Black & Decker PL47 00521, Helsinki	asiakaspalvelu.fi@sbdinc.com www.blackanddecker.fi
<b>Sverige</b>	Black & Decker AB Box 94, 431 22 Mölndal	kundservice.se@sbdinc.com www.blackanddecker.se
<b>Türkiye</b> www.blackanddecker.com.tr	KALE Hırdavat ve Makina A.Ş. Defferdar Mah. Savaklar Cad. No:15 Edimekapı / Eyüp / İstanbul 34050	Tel. 0212 533 52 55 Fax. 0212 533 10 05
<b>United Kingdom &amp; Republic Of Ireland</b> www.blackanddecker.co.uk emeaservice@sbdinc.com	Black & Decker 210 Bath Road Slough, Berkshire SL1 3YD	Tel. 01753 511234 Fax 01753 512365
<b>Middle East &amp; Africa</b> www.blackanddecker.ae service.mea@sbdinc.com	Black & Decker P.O.Box - 17164 Jebel Ali Free Zone (South), Dubai. UAE	Tel. +971 4 8863030 Fax +971 4 8863333