

# COMPUTER DESK

## ASSEMBLY INSTRUCTIONS

Thank you for choosing to purchase from Piranha Furniture. We trust everything is as expected, however if there are **ANY** issues at all or you have further questions, please don't hesitate to email us and we will resolve the matter as quickly as possible:

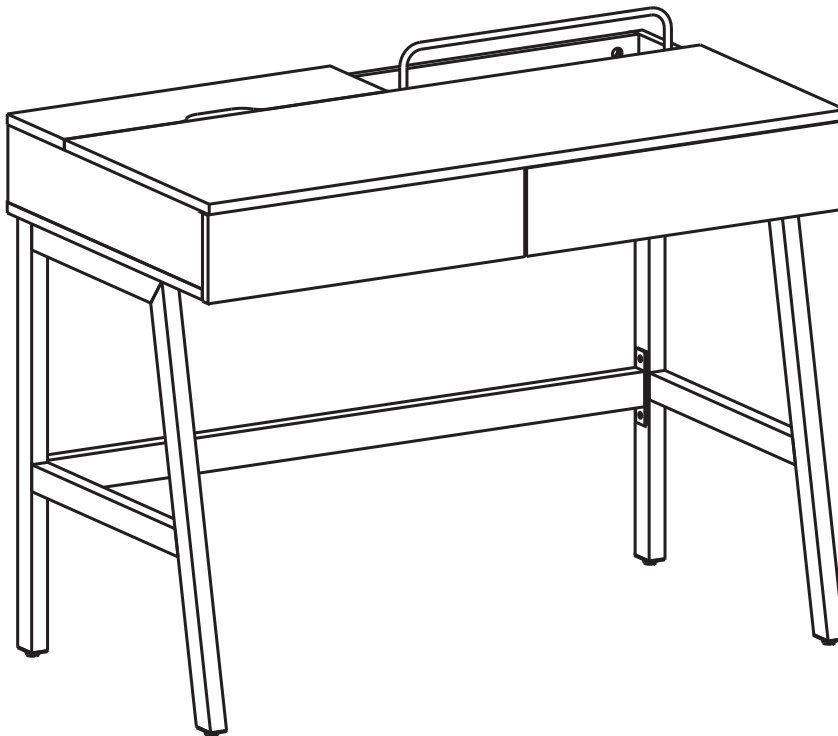
**United Kingdom:** [sales@piranhafurniture.com](mailto:sales@piranhafurniture.com)

**Rest of EU:** [info@piranhaeurope.com](mailto:info@piranhaeurope.com)

You can contact us through our website [www.piranhafurniture.com](http://www.piranhafurniture.com) where you will also find our full range of products.

**Please read the assembly instructions carefully before the installation**

**Retain all packaging as, if required, goods must be returned packed in the original cartons.**



**TWO PEOPLE REQUIRED**

**MODEL PC35**

**General Care:**

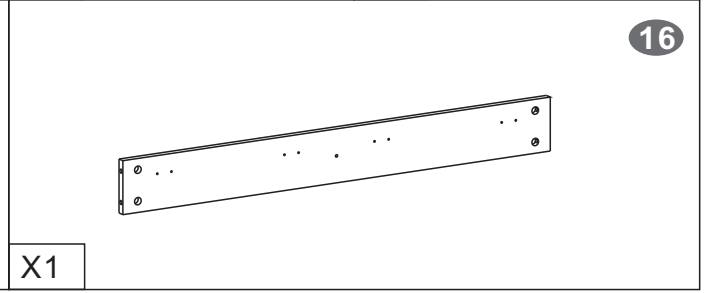
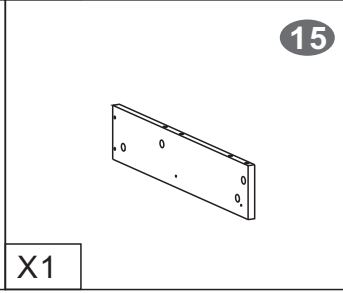
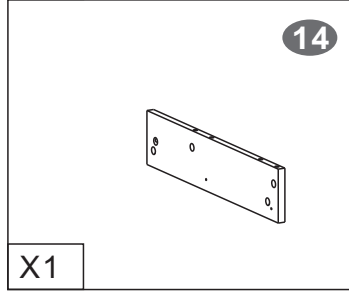
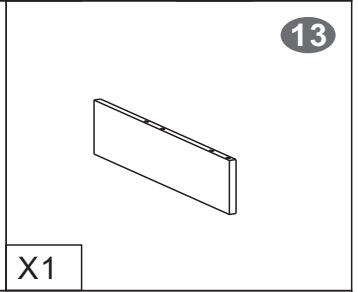
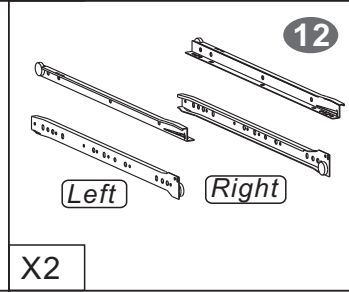
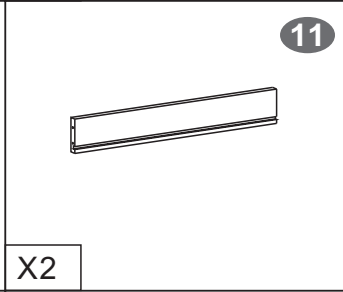
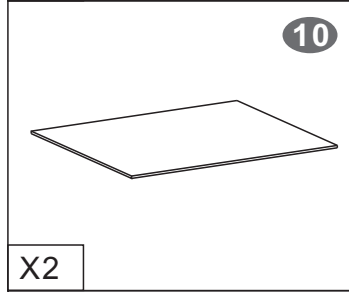
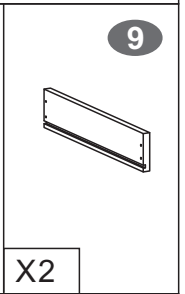
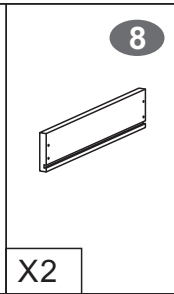
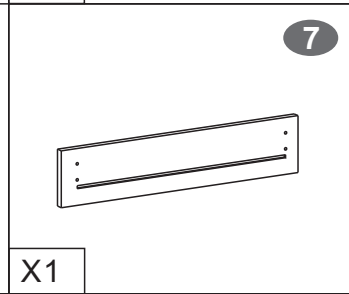
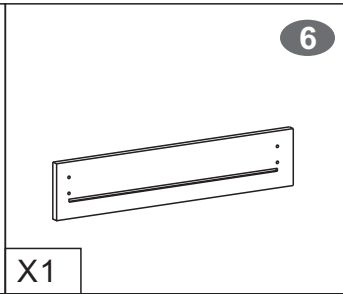
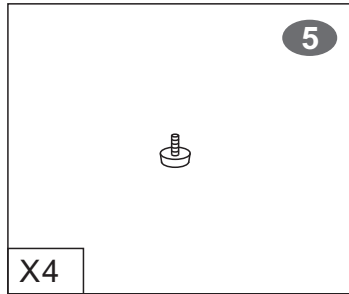
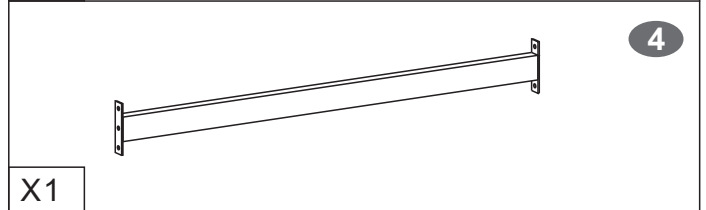
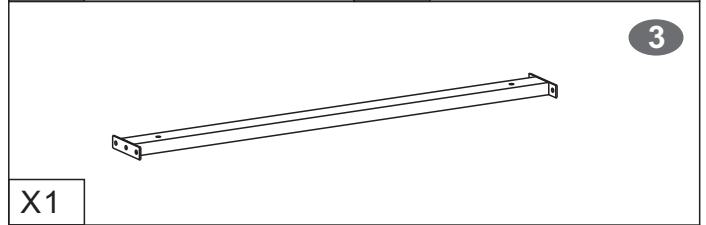
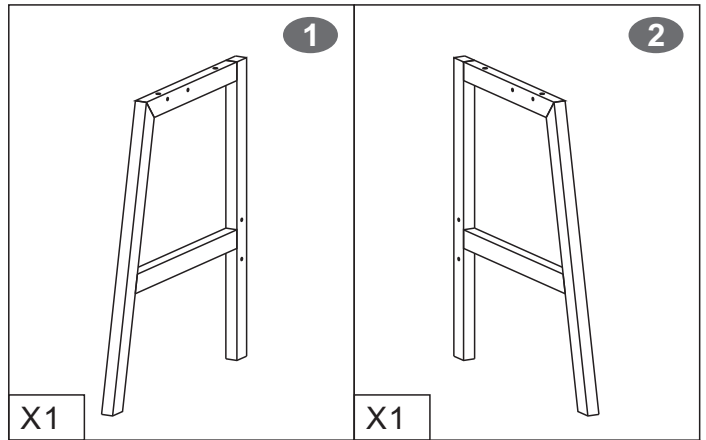
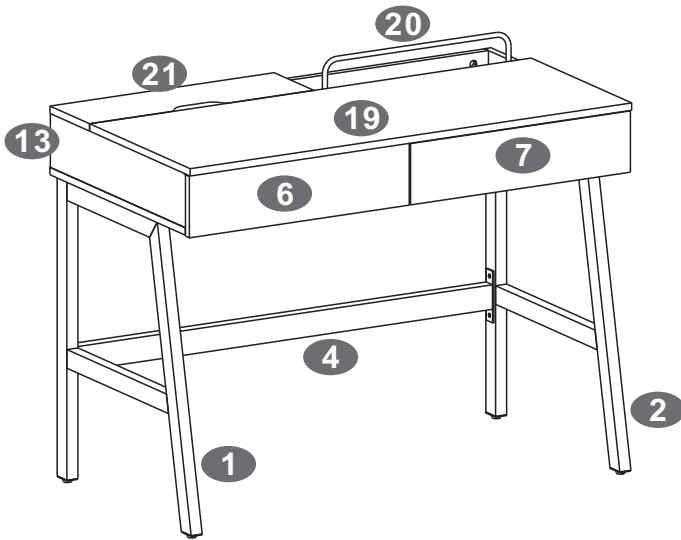
Keep furniture out of direct sunlight. Use mats and coasters to protect surfaces.  
Do not place hot or wet items directly onto unprotected surfaces.

**Cleaning:**

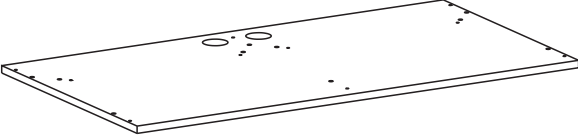

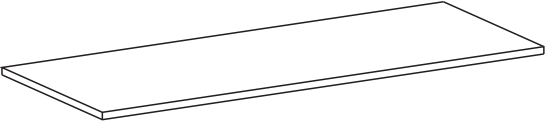





Wipe surfaces with a clean damp (not wet) cloth then dry with a clean lint free cotton cloth.  
Glass surfaces may be polished with window or other glass cleaning liquids.



■PARTS LIST



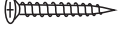

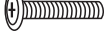




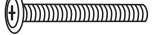





 <p>17</p> <p>X1</p>	 <p>18</p> <p>X2</p>		
 <p>19</p> <p>X1</p>	 <p>20</p> <p>X1</p>	 <p>21</p> <p>X1</p>	
 <p>22</p> <p>X2</p>	 <p>23</p> <p>X2</p>	 <p>24</p> <p>X4</p>	

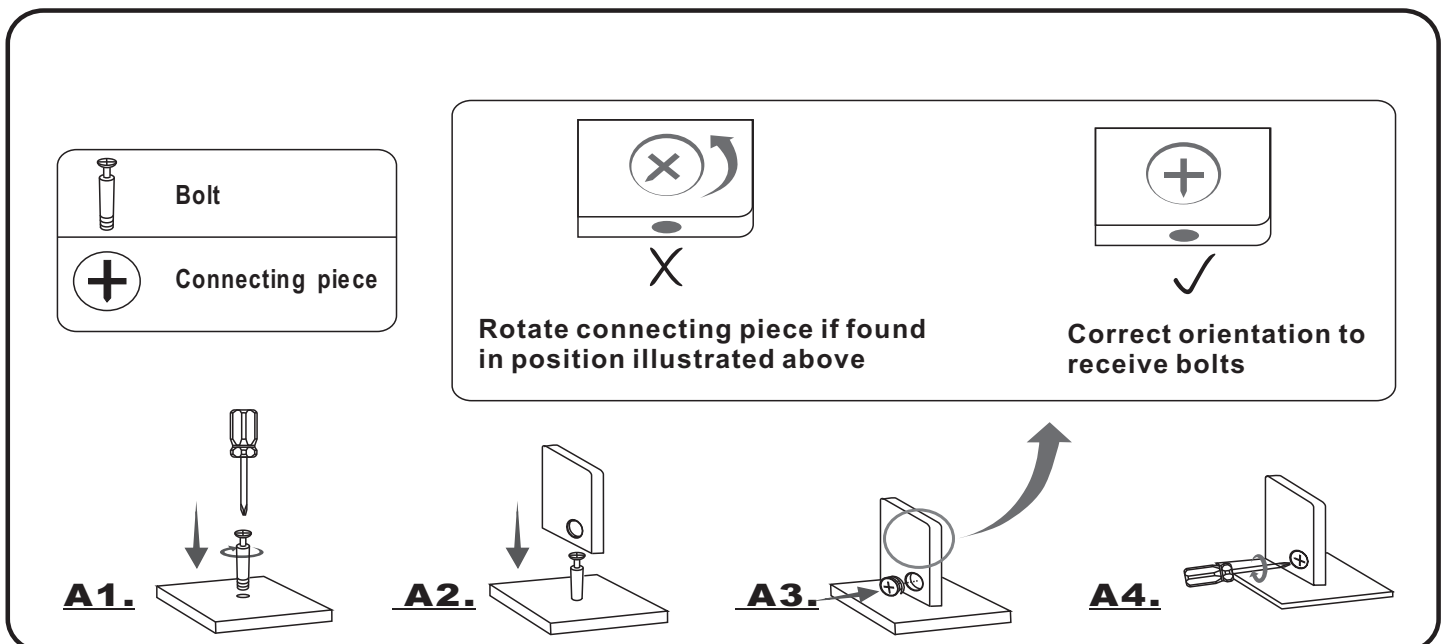


▪ SCREWS LIST

PART	QTY.	ITEM	
<b>A</b>	25	6X40 MM	
<b>B</b>	24	3X15 MM	
<b>C</b>	8	4X35 MM	
<b>D</b>	12	6X15 MM	
<b>E</b>	2	6X25 MM	
<b>F</b>	2	6X35 MM	

PART	QTY.	ITEM	
<b>G</b>	12	4X16 MM	
<b>H</b>	4	6X50 MM	
<b>I</b>	25	Φ15 MM	
<b>J</b>	12	8X30 MM	
	1		

▪ 6X40MM BOLT INSTALLATION AS BELOW:





ASSEMBLY STEPS:

**1**

**2**

■ SCREWS

**B** 3X15 MM

4PCS

**3**

■ SCREWS

**D** 6X15 MM

2PCS

**4**

Left 12

Right 12

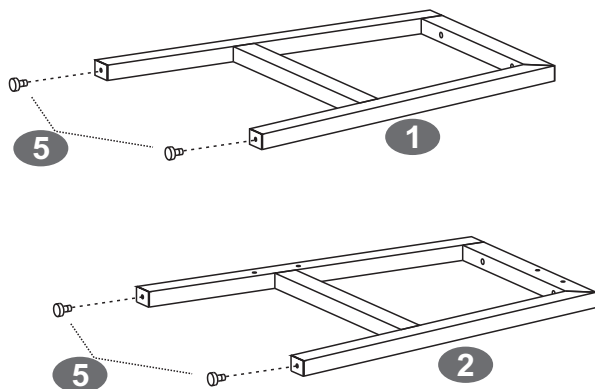
8

■ SCREWS

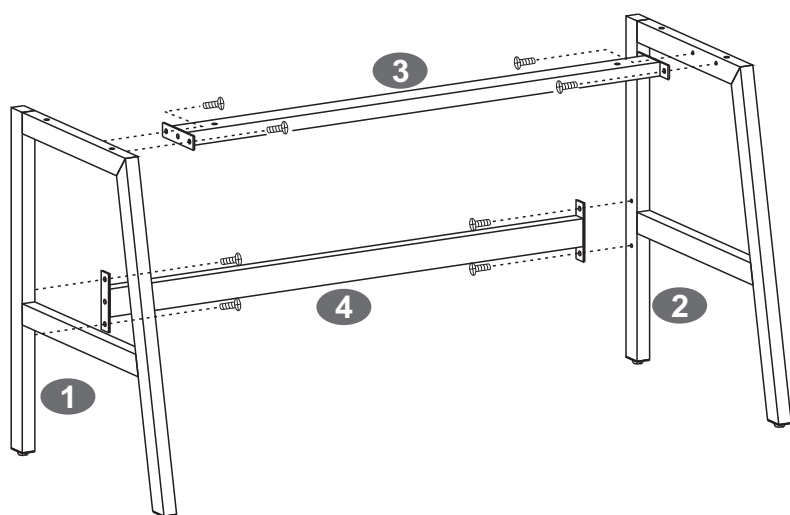
**B** 3X15 MM

4PCS

5



6



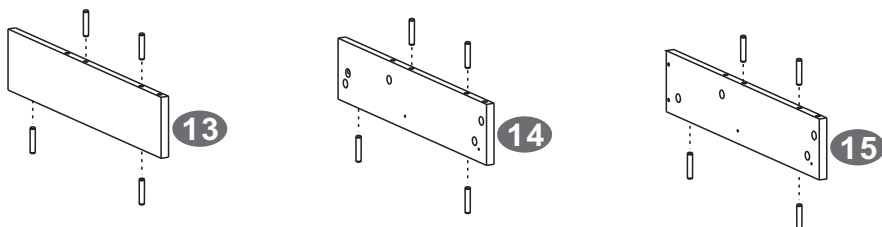
■ SCREWS

**D** 6X15 MM

 8PCS



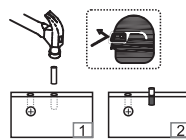
7



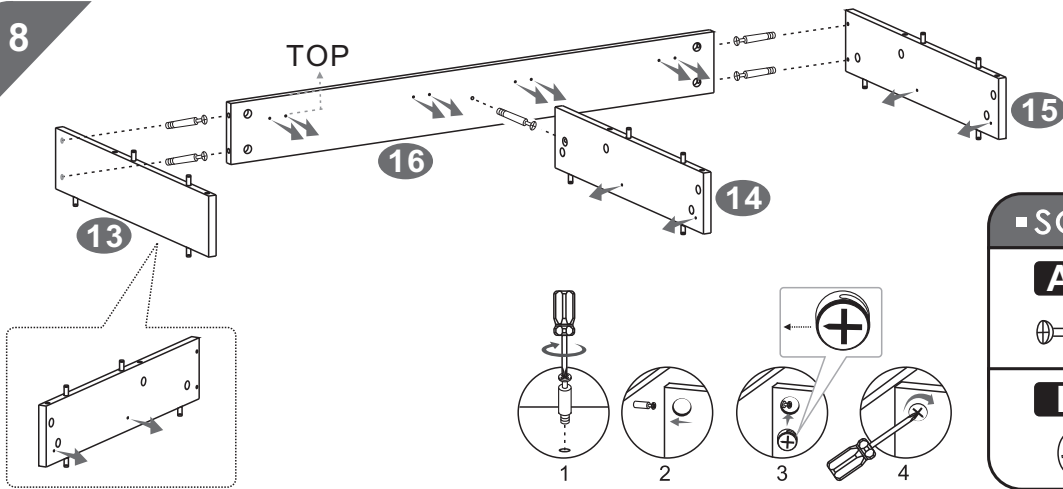
■ SCREWS

**J** 8X30 MM

 12PCS



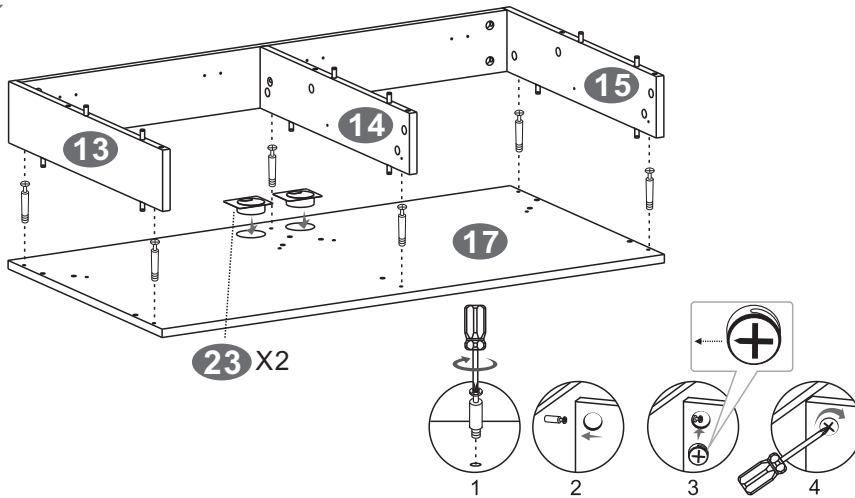
8



■ SCREWS

<b>A</b> 6X40 MM	
5PCS	
<b>I</b> $\Phi$ 15 MM	
5PCS	

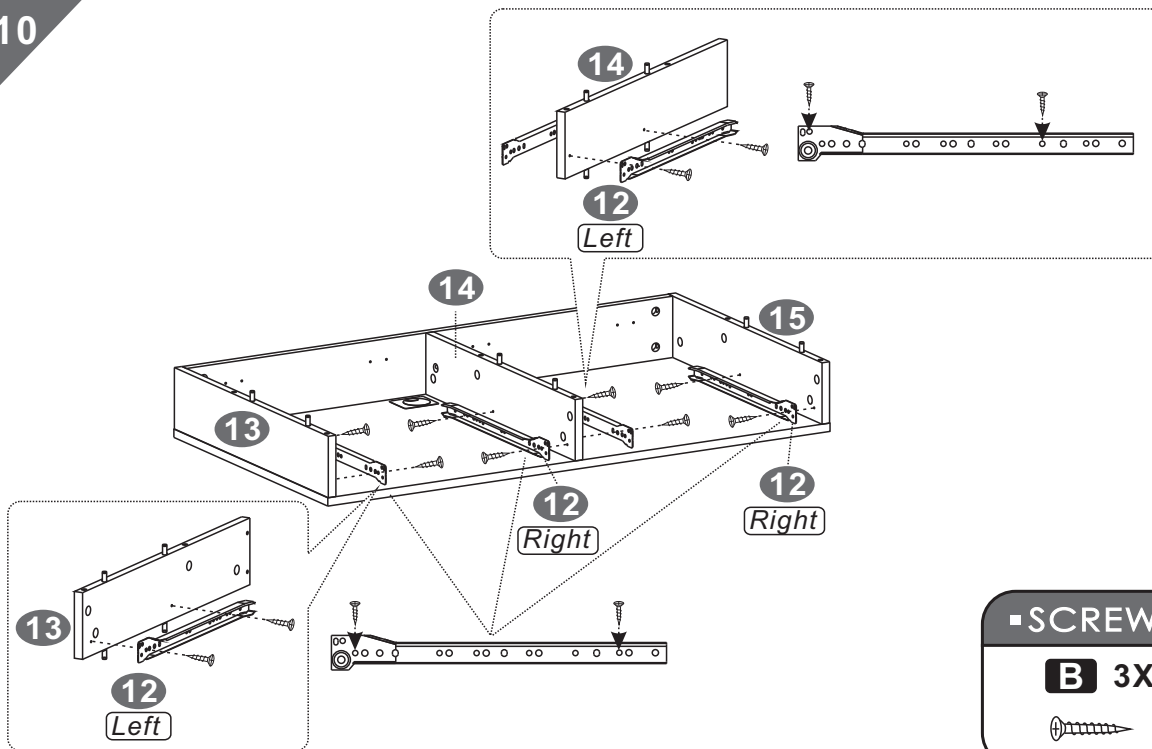
9



■ SCREWS

<b>A</b> 6X40 MM	
6PCS	
<b>I</b> $\Phi$ 15 MM	
6PCS	

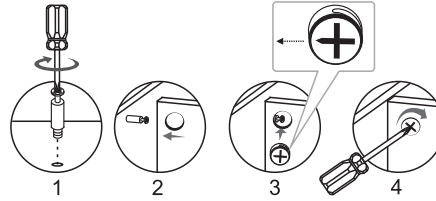
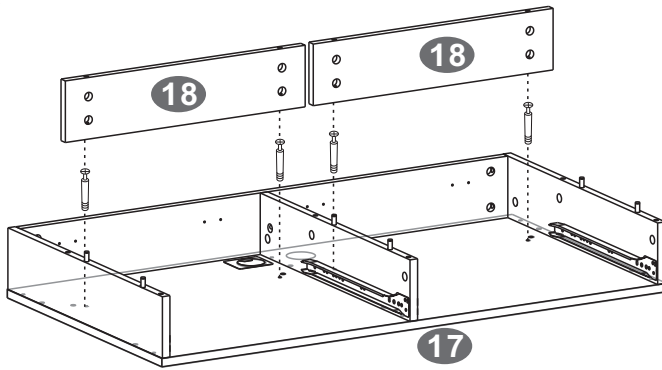
10



■ SCREWS

<b>B</b> 3X15 MM	
8PCS	

11



SCREWS

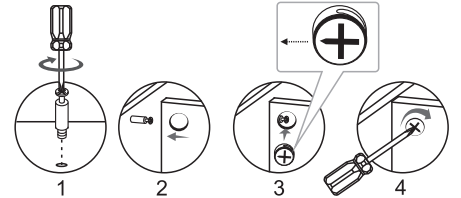
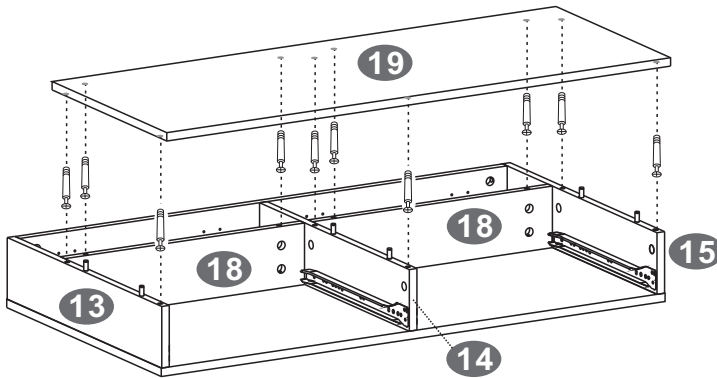
**A** 6X40 MM

4PCS

**I**  $\Phi$  15 MM

4PCS

12



SCREWS

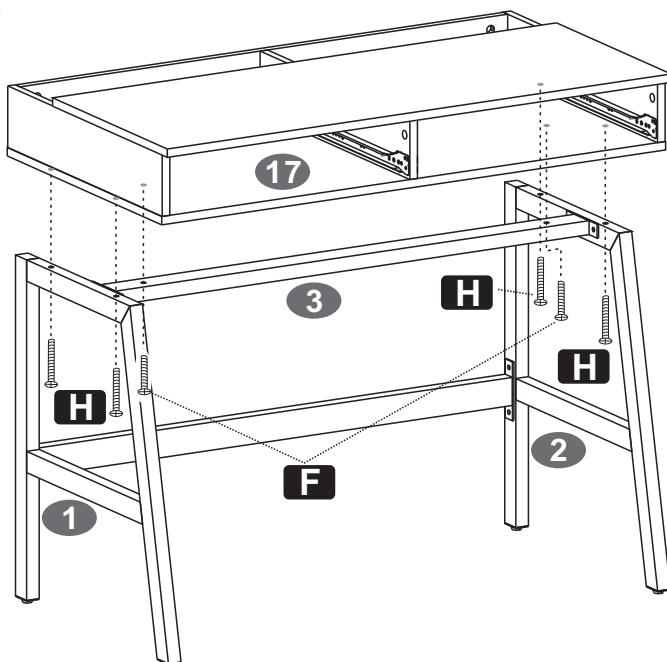
**A** 6X40 MM

10PCS

**I**  $\Phi$  15 MM

10PCS

13



SCREWS

**F** 6X35 MM

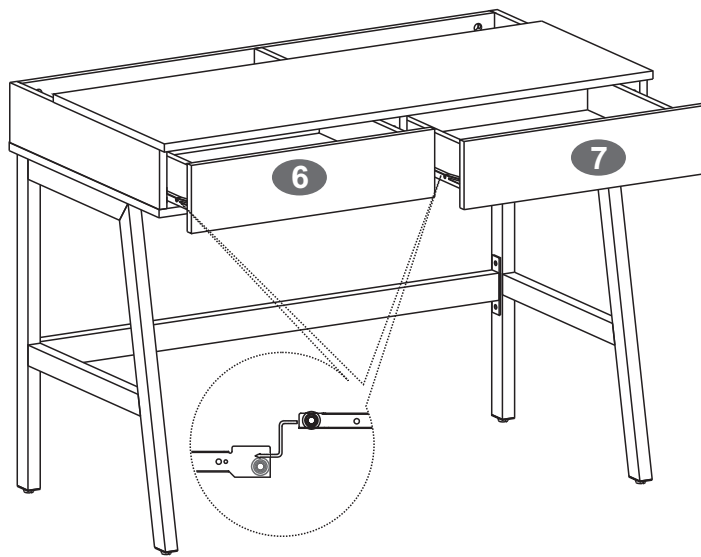
2PCS

**H** 6X50 MM

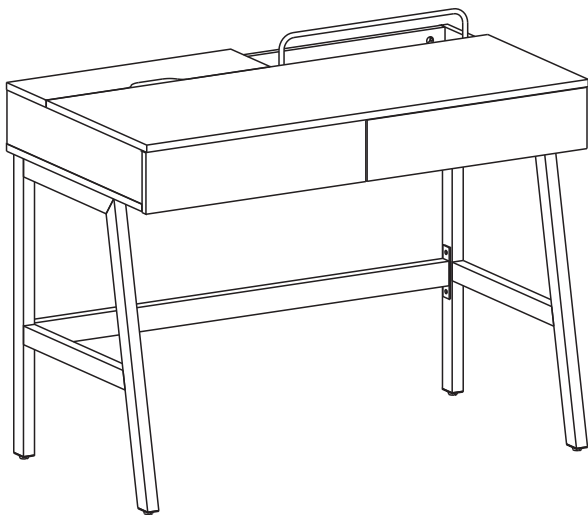
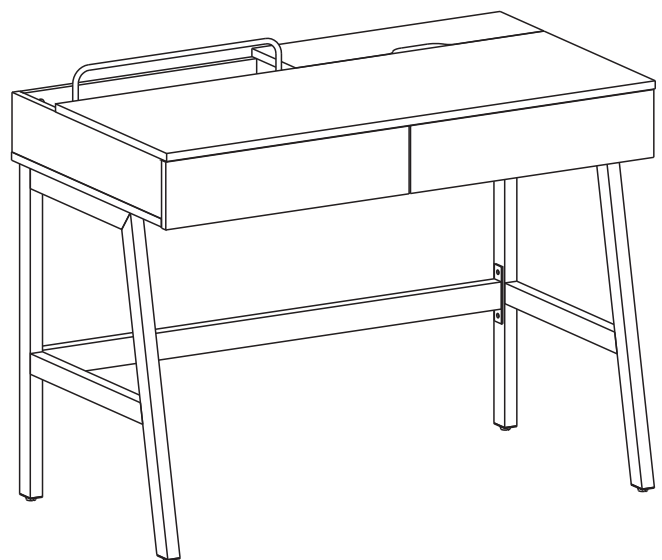
4PCS



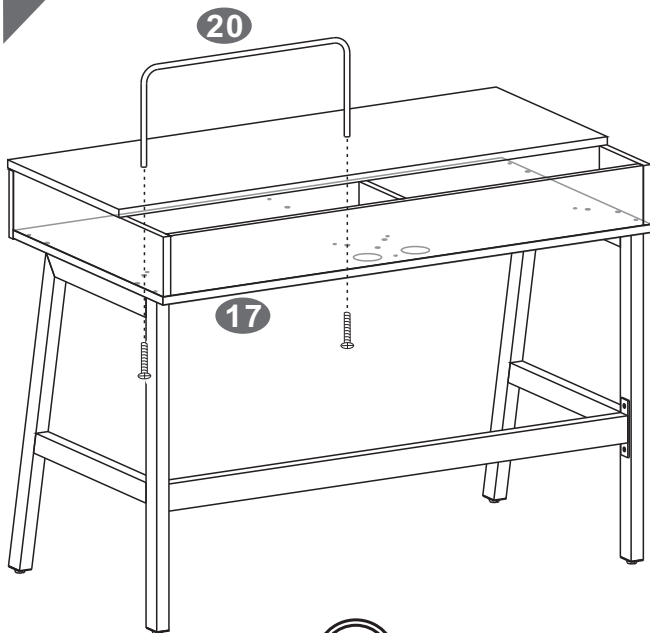
14



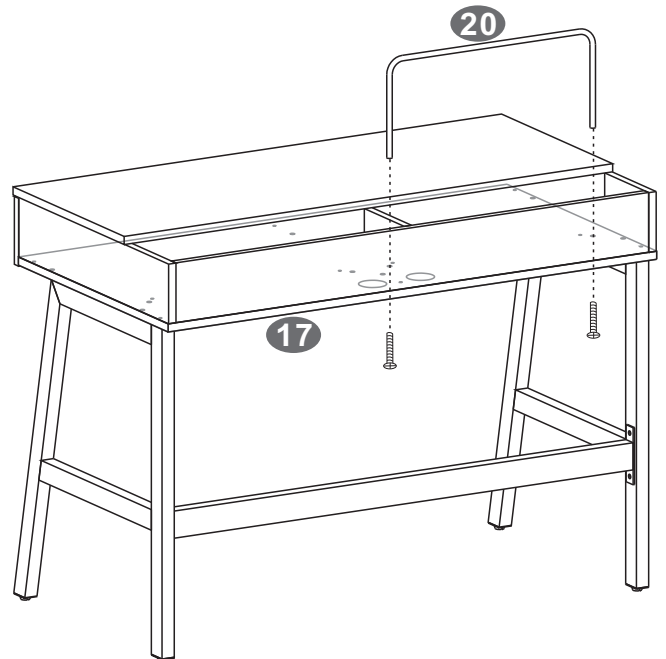
**\*\* There are 2 options to assemble our desk, please choose it according to your preference.**

**A****B**

15



**A**



**B**

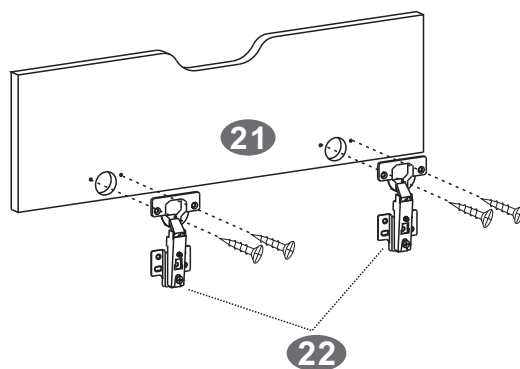
■ SCREWS

**E** 6X25 MM

2PCS



16



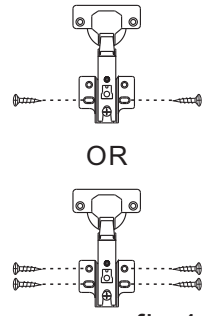
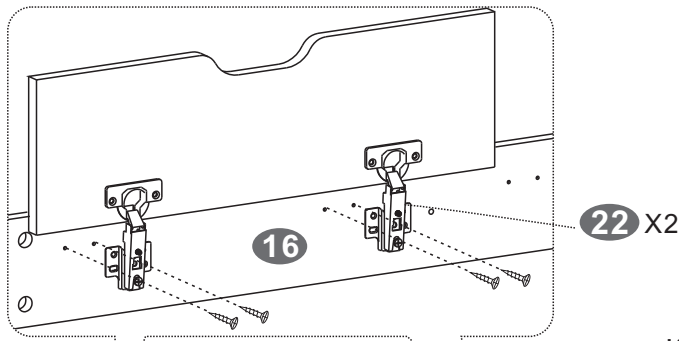
■ SCREWS

**G** 4X16 MM

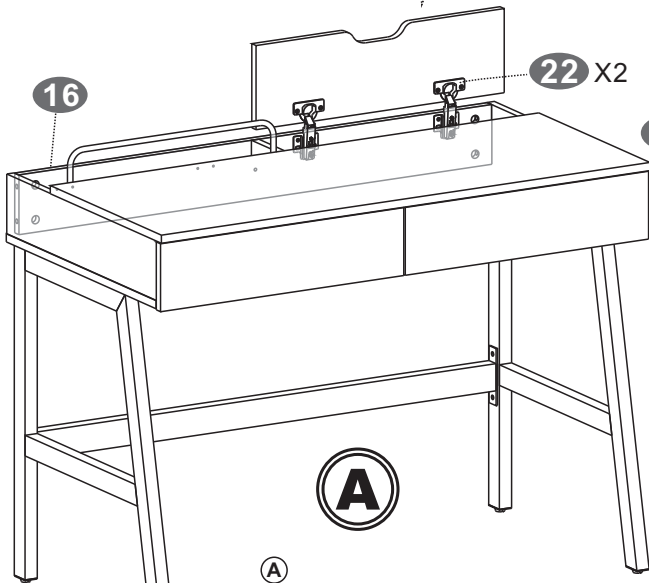
4PCS



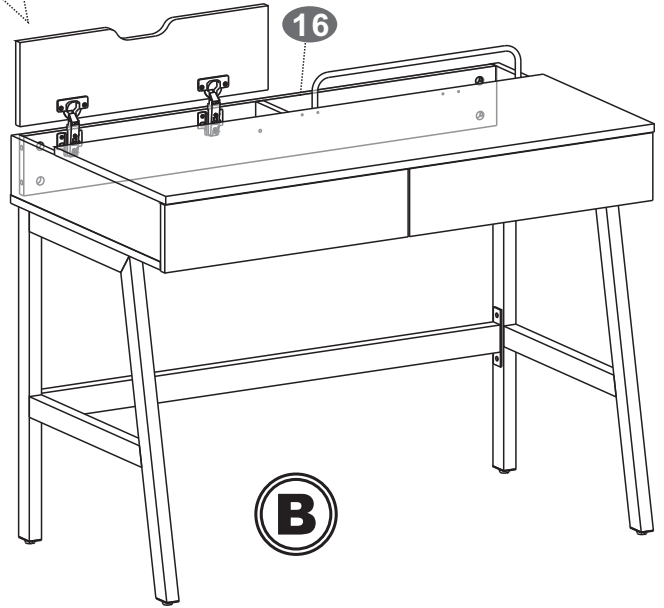
17



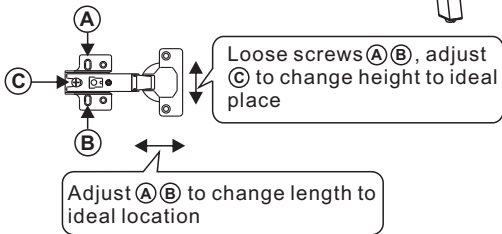
if necessary, fix 4 screws




**A**



**B**

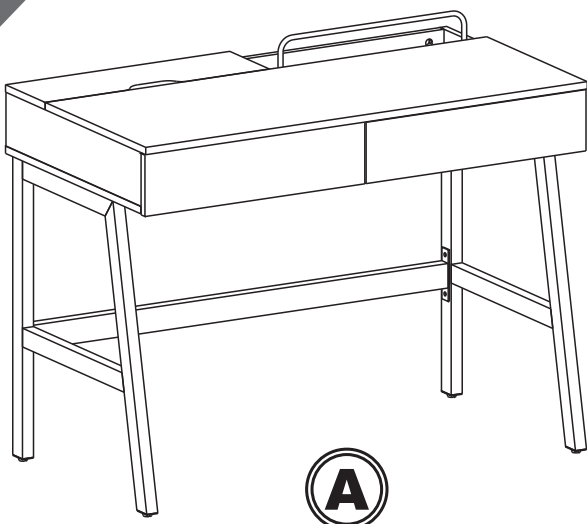


**SCREWS**

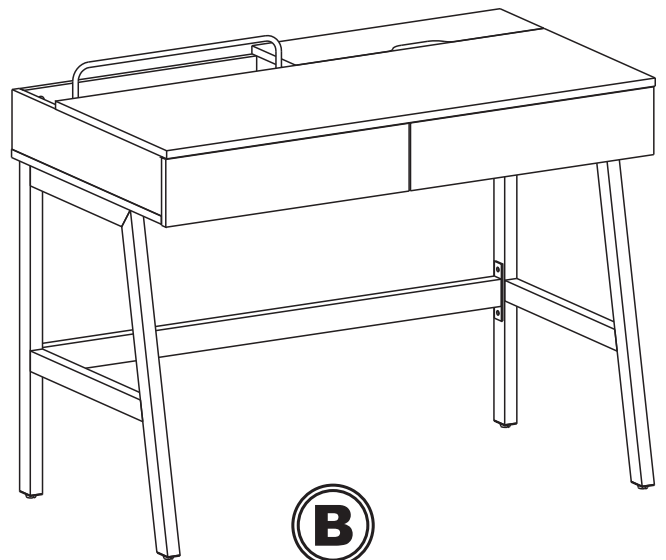
**G 4X16 MM** 

**8PCS**

18



**A**



**B**