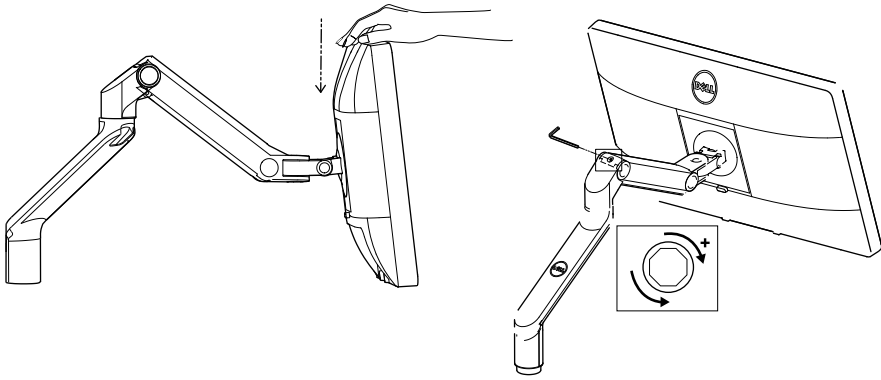
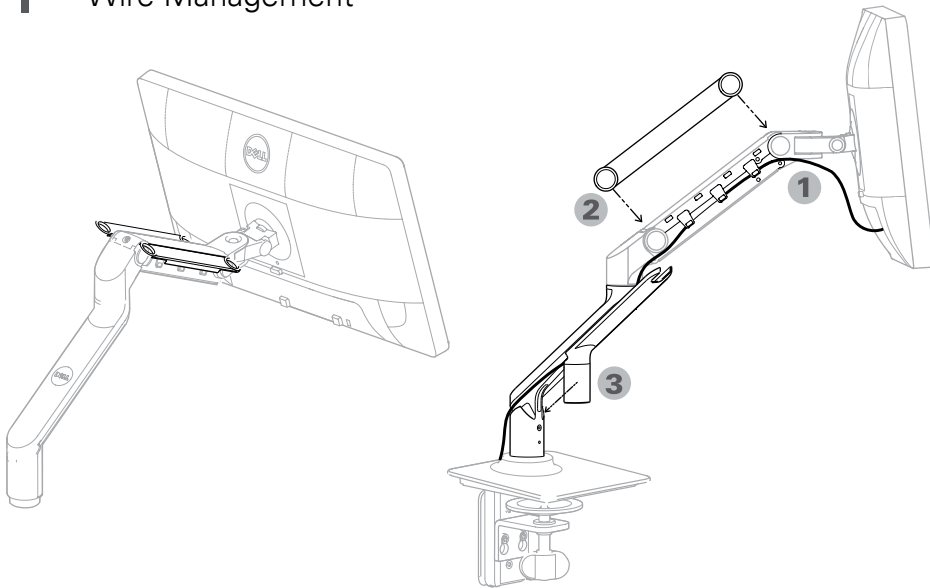


**i** Monitor Weight Adjustment



**i** Wire Management



# Monitor Arm MSA14



