

# User Manual

Product Features.....	2
Product Overview.....	2
- Product structure.....	2
- Screen icons description.....	3
- Connection Diagram.....	4
Specification.....	5
Getting started.....	5
- Quick Test.....	5
- Installing a memory card.....	5
- Installation.....	6
- Recording.....	6
Playback.....	6
- Playback on mobile device.....	6
- Playback on DVR.....	7
- Playback on PC.....	7
Basic Operation.....	7
- System Setup.....	7
- Menu Setting Tree.....	7
- Wi-Fi Operation.....	8
Warranty & Support.....	8
- Warranty.....	8
- Support.....	8

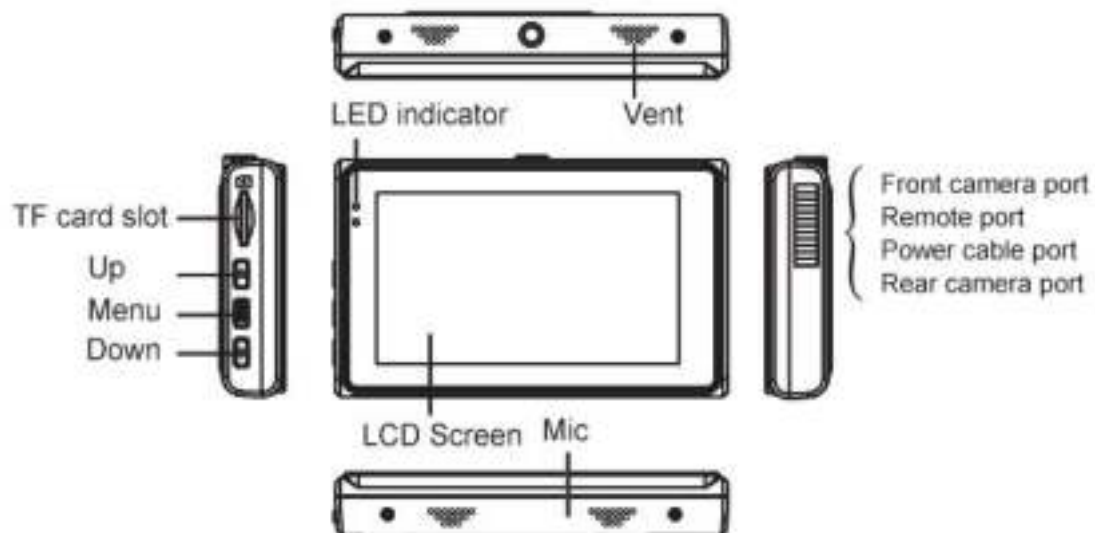
Thank you for choosing VSYSTO 2CH lens motorcycle dash cam. This device is especially designed for motorcycles, aimed to simplify the use of cameras, for security, and pleasure. It is equipped with dual front & rear synchronized cameras, allows you to record the evidence of an unexpected accident, or capture special moments on exciting ride. Please read this user manual carefully before use it, and keep it for future reference. If you need any assistance, please feel free to contact our customer support team.

## Product Features

- Separate dual cameras
- Full HD high resolution
- All glass wide angle lens
- Built-in Wi-Fi with mobile APP
- Support loop recording
- Support emergency mode
- Support maximum 128G micro SD card
- Super capacitor design instead of Li-ion battery
- Auto power on/off
- Waterproof design(optional waterproof case for main body)

## Product Overview

### 1. Product structure



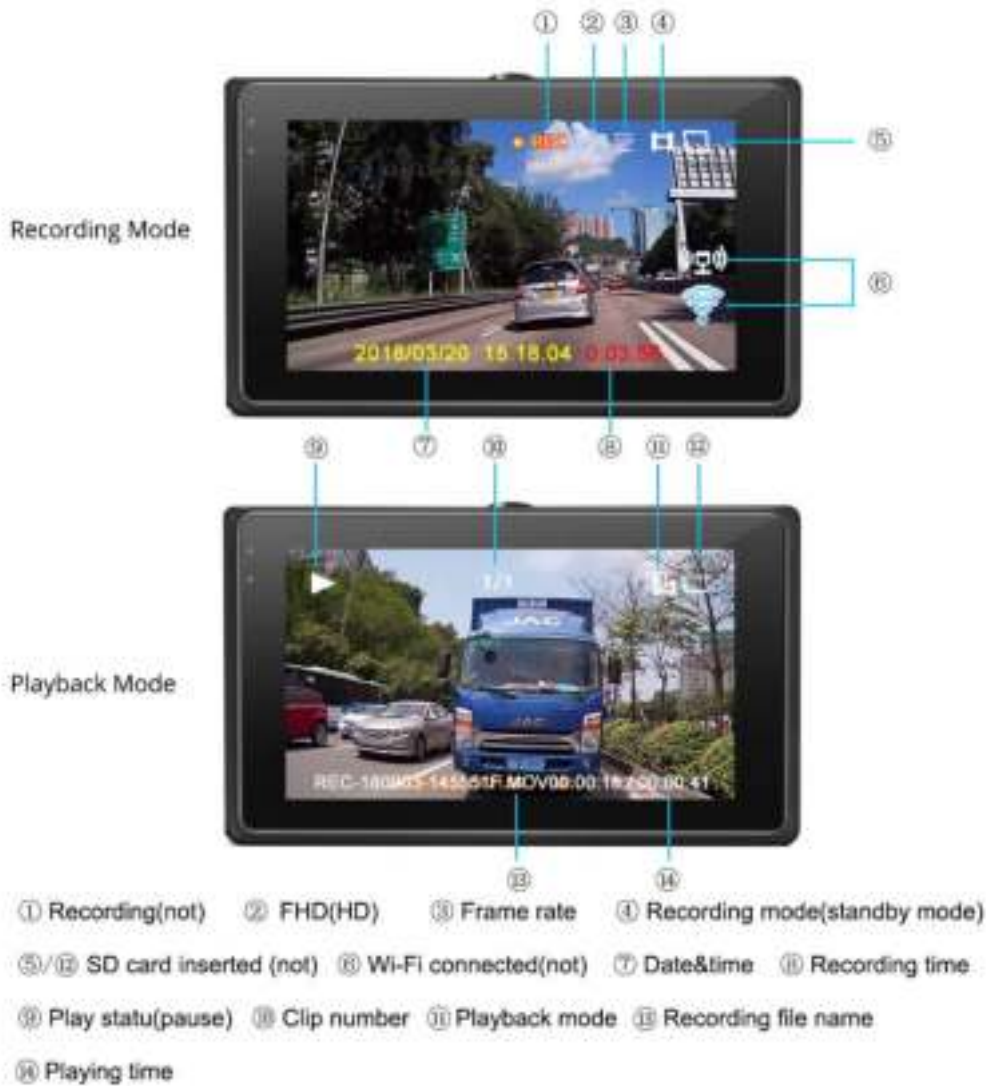
#### LED indicator

When turn on the motorcycle, the DVR automatically power on and enter video mode, both red and blue LED Indicator will be on at the same time.

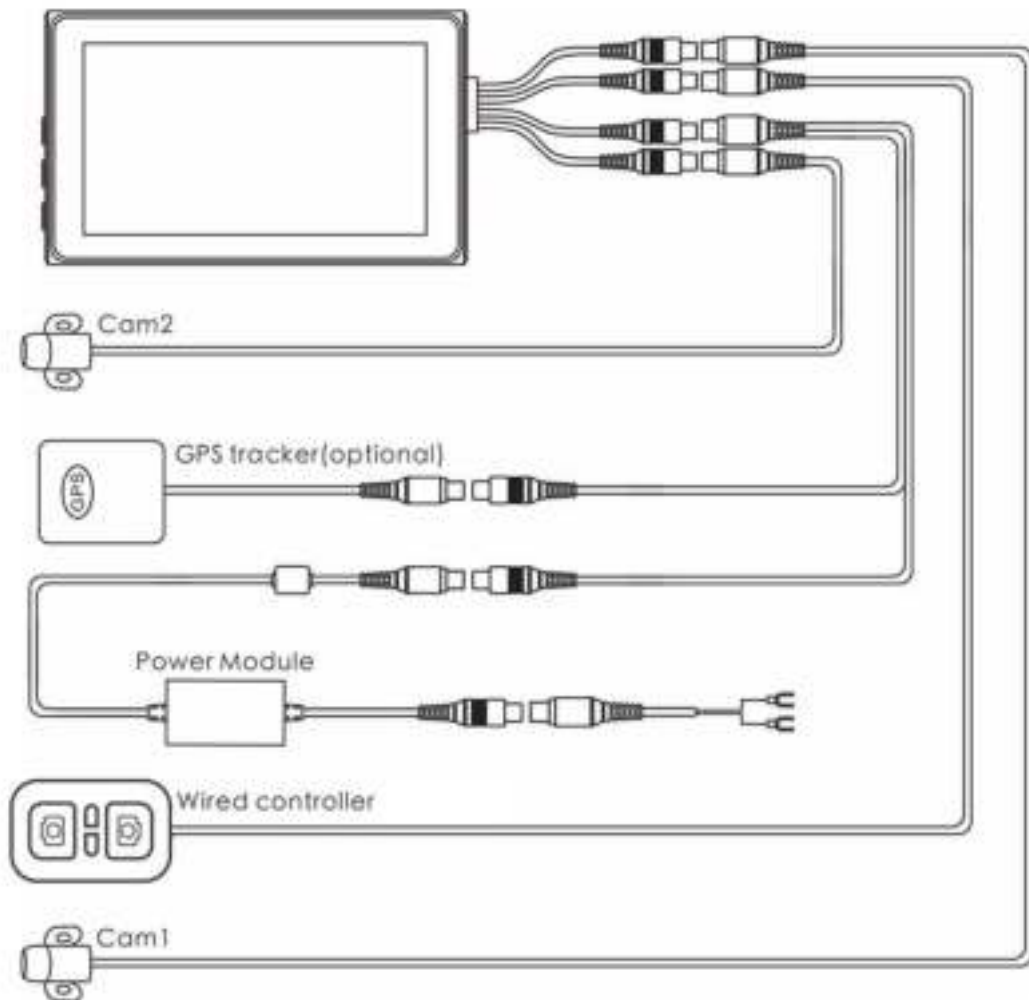
Definition	Red Light	Blue Light
Solid light	The device is ON	Standby mode
Slow blinking light	/	Video mode
Fast blinking light	/	Emergency mode
No light	The device is OFF	The device is OFF

Playback mode: The red light is steady on and blue light is off.

## 2. Screen icons description



### 3. Connection Diagram



#### Wired Remote (optional)

1) Short press any button of wired remote to activate manual emergency mode and save a video file named "Key 001 002 003..." which won't be overwritten.

2) Indicate the camera status with

LED Light Frequency	DVR Status
0.5 s	Recording properly
0.1 s	Emergency mode(G-sensor /manual)
0 s (light on)	Standby mode
Off (light off)	Power off

### GPS Tracker (optional)

- 1.The GPS signal(coordinate,speed,route) will be saved in the video file if you connected a GPS tracker with the DVR and received GPS signal successfully.
- 2.The GPS route will be displayed on Google map when you playback the video in our GV Player.



- ✘ It costs a few minutes to receive the GPS signal at first connection
- ✘ The weather and environment like indoor, high buildings will affect the GPS signal.
- ✘ Please fix the GPS module exterior and don't put it in a metal case or interior
- ✘ You can download the GPS player from official website or contact seller to get it.

### Specification

Model	M2F
LCD Screen Display	3.0 TFT
Front camera resolution	1920*1080P @30fps,SONY IMX323 CMOS sensor
Rear camera resolution	1920*1080P @30fps,SONY IMX323 CMOS sensor
Lens	6-lyaeer glass
Lens waterproof level	IP67
Collision G-Sensor	Three-axis stereo collision detection
Loop Recording	Support (Off/1min/2min/3min/5min)
Wi-Fi	Support
Mic	Built-in
Speaker	Built-in

Video Format	MOV (H.264)
Memory Card	TF Card Up to 128GB
Video Stamp	Date & Time
Language	English/ French/ Deutsch/ Italian/ Spanish/ Portuguese/ Russian/ Turkish/ Korean/Japanese
Operating Humidity	15%~60% RH
Operating Temperature	0~60 °C
Battery capacity	Super Capacitor + RTC
Power Supply	INPUT :DC 12-24V ; OUTPUT : DC 5V 2A

## Getting started

### 1. Quick Test

Please test the camera before install the device on your motorcycle and read the user manual or contact the seller if there is any question.

Please refer to the 'Quick Installation Guide'.

### 2. Installing a memory card

Insert the memory card into the card slot until it clicks. To remove the memory card, push to eject the memory card out of the slot.

- ※ Make sure inserting the memory card with right direction: The golden finger side of memory card facing the screen of the DVR.
- ※ Do not remove or insert the memory card when the device is being powered on. This may damage the memory card.
- ※ Please use high speed micro SD card with CLASS<sup>10</sup>
- ※ Please format cards before use and anytime a significant amount of data has been collected to ensure that device and SD cards are working properly together.

### 3. Installation

Please refer to the 'Quick Installation Guide'.

### 4. Recording

The dash cam will start recording automatically with the ignition, and turns off once the bike is not being used (keep recording about 3 minutes for smart power module). No need extra operation.

## Playback

### 1. Playback on mobile device

**Wi-Fi:** Connect to your dash cam with Wi-Fi APP(Android & iOS), you can easily play back videos through your mobile device.

**OTG:** Insert the micro SD card into the OTG card reader, and then plug the OTG card reader into your mobile device (need your mobile device support OTG). You will find FRONT and

REAR video file folder when you access the memory card and then select the video you need to play.

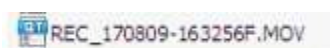
## 2. Playback on DVR

In Playback Mode, Short press 'Up/Down' to select the video file, then press 'Menu/OK' button to play/stop the video you choose.

## 3. Playback on PC

Insert the micro SD card into the card reader, and then plug the USB card reader into an available USB port on your PC. You will find FRONT and REAR video file folder when you access the memory card and then select the video you need to play.

You can get some information from the video file name:



"REC" means normal video file

"KEY" means file recorded by pressing controller

"GSR" means file recorded by triggering G-sensor

"170809" means date 9th August, 2017

"163256" means time 16oclock 32 minutes 56seconds

"F" means front camera video file

"MOV" means video file format

"KEY" and "GSR" file won't be overwritten in normal loop recording.

## Basic Operation

### 1. System Setup

Short press the middle button (Menu) to stop the DVR (enter standby mode) before setup the system, and then long press the middle button to enter menu system



1) Press 2 side buttons(Up/Down) to select different options.

2) Press middle button(Menu) to confirm the options or settings.

3) Long press middle button(Menu) to quit menu settings.

※ Settings may change without prior notice

※ Short press 'Down'button in standby mode/video mode to switch different display(front,rear,1:1,PIP)

### 2. Menu Setting Tree

Refer to the table below for details on menu setting items and available menu setting options.

Item	Select	Description
Video Resolution	1080P 30fps/720P 30fps/720P 60fps	Set resolution
Video clip time	Off/1/2/3/5min	Set loop recording time

Sound record	On/Off	Set the sound mode
Beep	On/Off	Set key sound
Clock settings	Date & time	Setting date & time
Date format	None / YYYY MM DD /MM DD YYYY/ DD MM YYYY	Set date format
Flicker	50Hz/60Hz	Set light frequency
LCD power save	Off/1/3min	Set screen saver time
Protect level	Off/0/1/2/3/4 level	Set the G-sensor sensitivity
GPS ステータス	GPS ステータスを表示する	GPS ステータスを表示する
Time zone select	Select the corresponding time zone	Use GPS to set the time zone
Reset setup	Yes/No	Reset all settings
WIFI mode	On/Off	Settings Wi-Fi status
Format SD-card	Yes/No	Delete all data in the card
SD card info	Display remaining recording time	Display remaining recording time
FW Version	Check the firmware version	Check the firmware version

### 3. Wi-Fi Operation

Please refer to the 'DVR Wi-Fi Connection Guide'

## Warranty & Support

### 1. Warranty

We provide customers with a warranty of 12 MONTHS from the date of purchase. Please visit our official website for details.

### 2. Support

Our products are designed to do amazing things.

We constantly optimize and strive for excellence to make driving safer, and more fun. Share your product experience and story with us to inspire someone else.

If your experience has been something less than amazing, please contact us by below ways.

Facebook: <https://www.facebook.com/szvsys/>

YouTube: <https://www.youtube.com/c/szvsys>