


INSTRUCTION



 Part of the steps suggest two people install

Main Components

Please check you have all the parts listed below



1 Table top Qty 1 (120*60*5.9cm)



2 Leg Qty 2 (66.5*17.6*9.6cm)



3 Foot Qty 2 (60*7.5*1.8cm)



4 Leveling Studs Qty 4

Fixings, Fittings And Tools

Please check all the fittings listed below

Note: The quantities below are the correct amount to complete the assembly . In some case more fittings may be supplied than be required.



A Qty 8 M6*16mm Screw



B Qty 1 Power Cord



C Qty 1 M4 Allen key

Assembly Steps

Step 1

Attach each foot with
qty 4 Screws(Part#A)

A

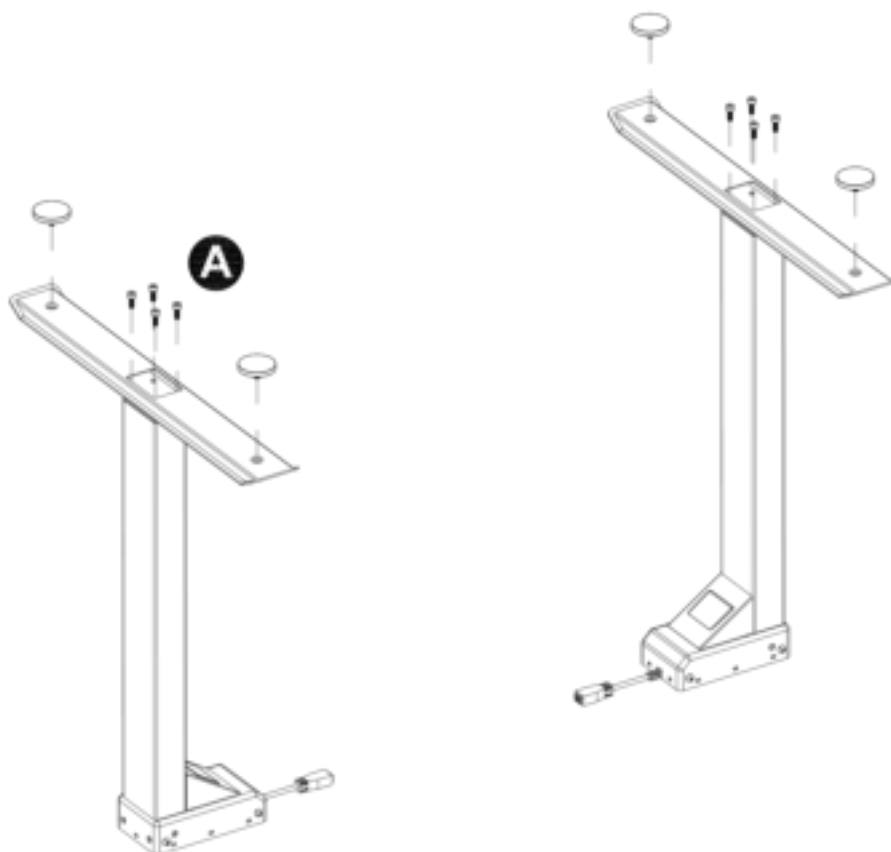


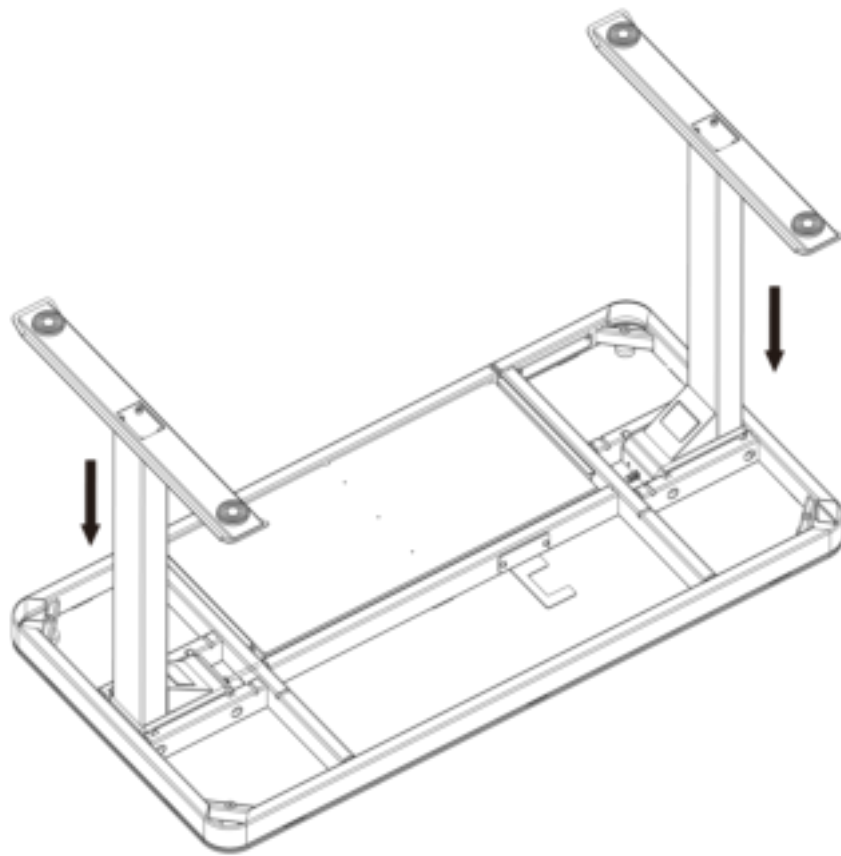
M6*16mm Screw Qty 8

C



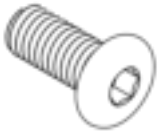
M4 Allen key Qty 1





Attach two legs into the table top(Part#1)

Step 3

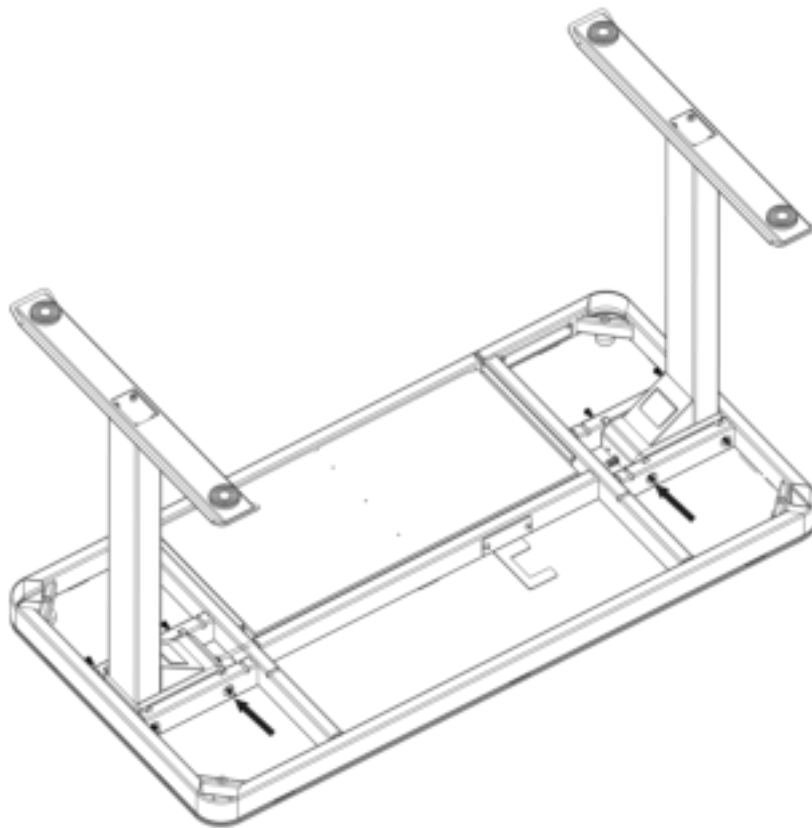


M6*12mm Screw Qty 8
(Pre-installed Screws)

C



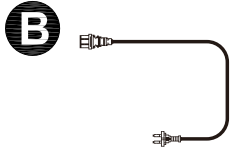
M4 Allen key Qty 1



Tighten 8 Pre-installed Screws

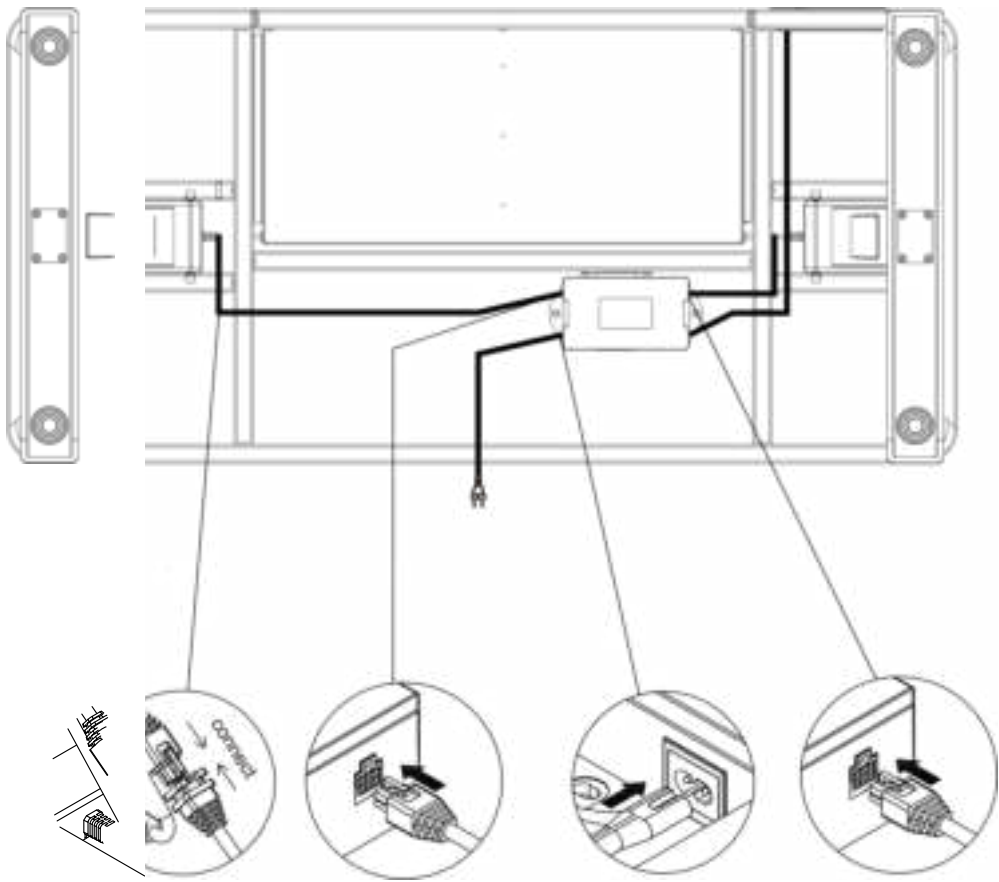
Step 4

Attach control box
& connect cables



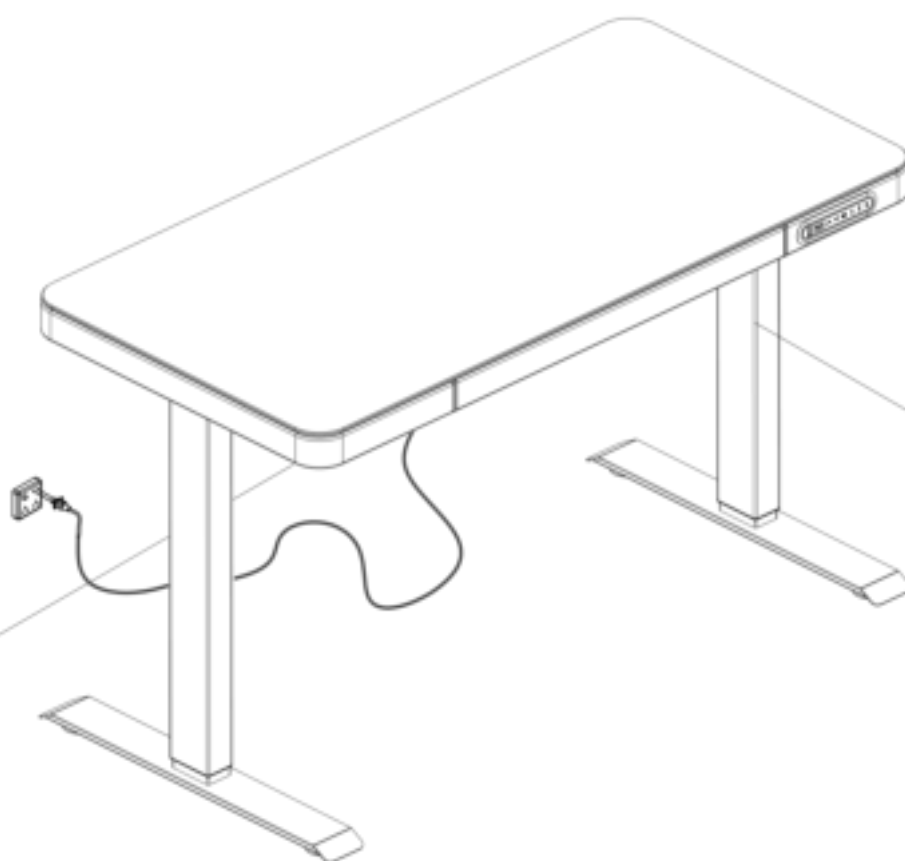
Qty 1 Power Cord

Attention:
protect the
table top well

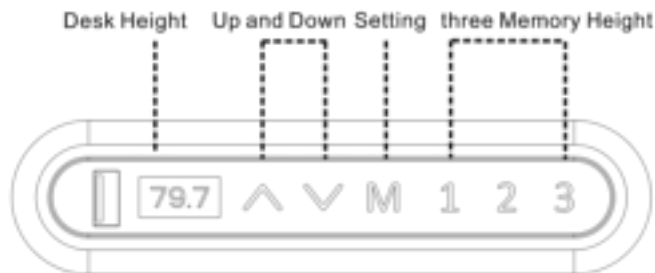


Step 5

Carefully turn the desk over into its final location and connect to a power source.



Ready To Use



Before Plugging the table into the outlet, make sure that - The lift columns are level and set at the lowest position.

- All the screws are tightened, to avoid the desk making noise and wobbling.

Activate the desk by following the next steps.

- Please press button down and hold for 10-15 seconds until it stutters and beeps.

- Release the button, then your desk is ready to use.

Operation Guide

1. Memory desired height

- Press button "M", display show "S-" with flash.
- Press number and set desired position.



2. Advanced Safety feature- lock and unlock the table.

- Press button up and down at same time for 5 seconds, display "LOC"
- All single button will be inactive and table will be unable to move.
- Pressing button up and down together will unlock the keypad and release the LOC



3. Reset the table

When display show Error code or RST, Please reset the table.

- Unplug the power cord from the control box. - Unplug the cable that links the keypad to the control box.
- Wait 30 minutes and plug all the cables in again.
- Do the reset: please press button down and hold



Press by holding
10-15 seconds for

10-15 seconds until it stutters and beeps.

If the keypad displays HOT, please unplug and replug and let it cool off for a couple of minutes before proceeding again.