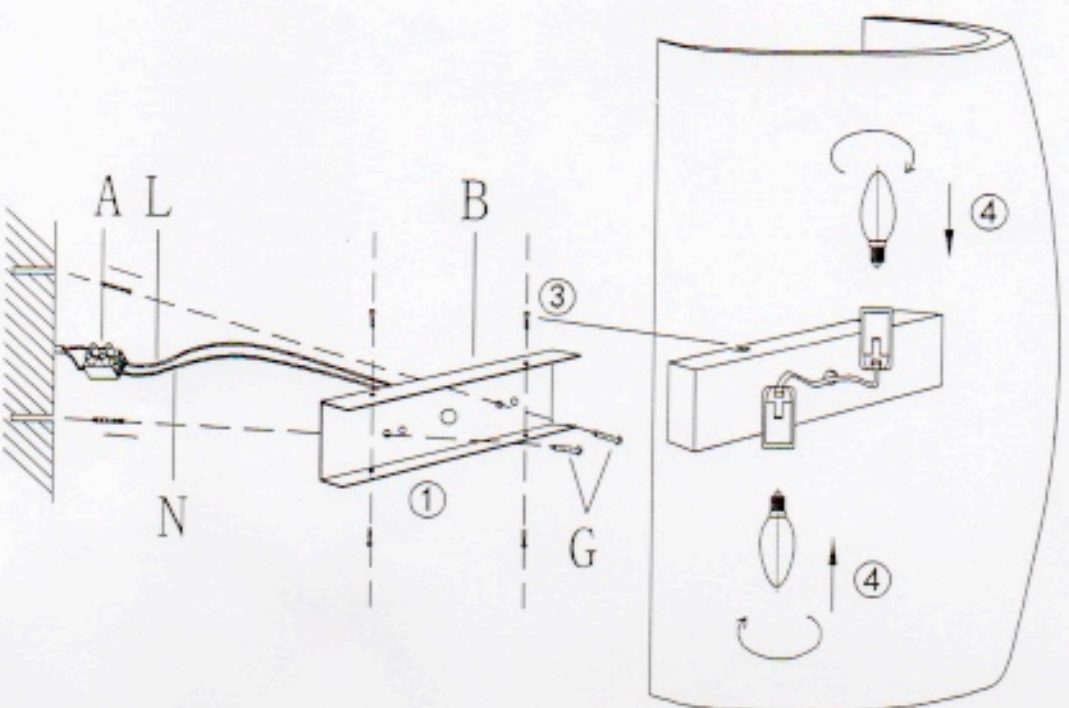


Assembly Instructions



WARNING: DO NOT PLUG IN OR TURN ON UNTIL LIGHT BULB IS INSTALLED AND ASSEMBLY IS COMPLETE.

Attach the Ground Wire (J) from the fixture to the Ground Junction Box Wire from the outlet. Fasten each together with a Plastic Wire Connector (A) and wrap the connection with electrical tape (not included). Connect the Neutral Fixture Wire (marked "N") to the Neutral Junction Box Wire (usually white), fasten each together with a Plastic Wire Connector (A) and wrap the connection with electrical tape.

Connect the Hot fixture Wire (marked "L") to the Hot Junction Box Wire (usually black), fasten each together with a Plastic Wire Connector (A) and wrap the connection with electrical tape (not included).

Be sure no wire strands are exposed for all connections.

Attach the Mounting plate (B) to the ceiling outlet box using Mounting screws (G).
Tighten screws (G) with a screwdriver.

DO NOT REVERSE THE HOT AND NEUTRAL CONNECTIONS OR SAFETY WILL BE COMPROMISED. Gently tuck the wire connections neatly into the ceiling junction box.

Care & Maintenance

- Do not clean fixture with harsh cleansers or polish as it may damage finish.
- Do not place fixture outside. For indoor use only.
- Dust and pick up spills using a clean, non-colored, lint-free and soft cloth.