

START

01

Depart from the platform

Press the button to raise the car and start to go



02

Change direction (3 turntables)

Turn the button to turn the table to change the direction



03

03

Conveyor belt summit

Turn the button conveyor belt to start sending the car to the top of the mountain



04

Car hoist

Press the button to make the car fly up and be sucked by the turning plane



05

05

Suck car spin

Turn the button to put the car in another channel to continue driving



06

Bridge connection

Press the button bridge merge cars smoothly



07

07

Crane lifting

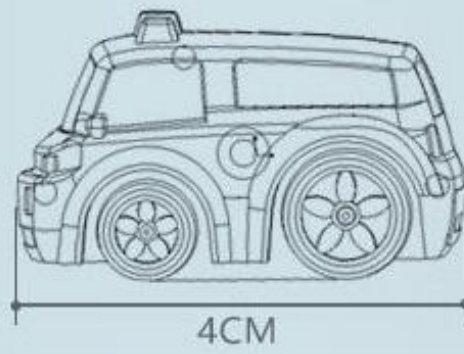
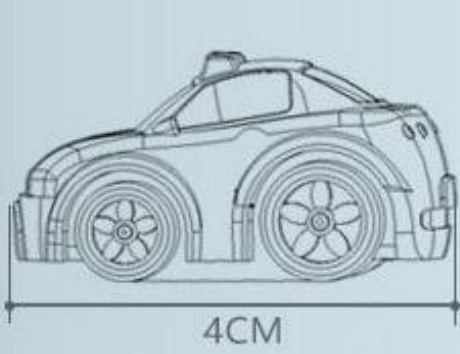
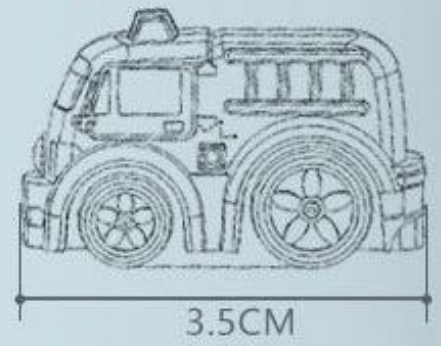
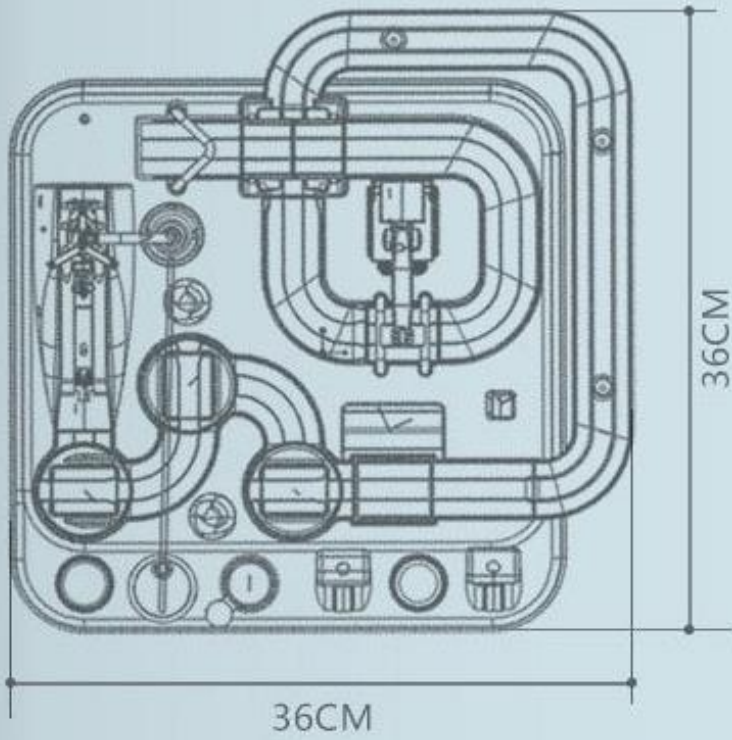
Press the button crane to lift the car traffic



END


Battery Free Mechanical Design





START



 **PRESS**

01

SAMPLE TEXT



 **TURN BUTTON**



 **ROTATE**

Lorem ipsum dolor sit amet. ◀

02

SAMPLE TEXT



 **PRESS**



 **SUCTION
ROTATION**

03

SAMPLE TEXT

Lorem ipsum dolor sit amet. ◀



 **PULL THE
HANDLE**



 **PULL THE
HANDLE**



FINISH

04

SAMPLE TEXT







Ejection Stage



Aircraft rotation



Bridge



Conveyor belt



Crane

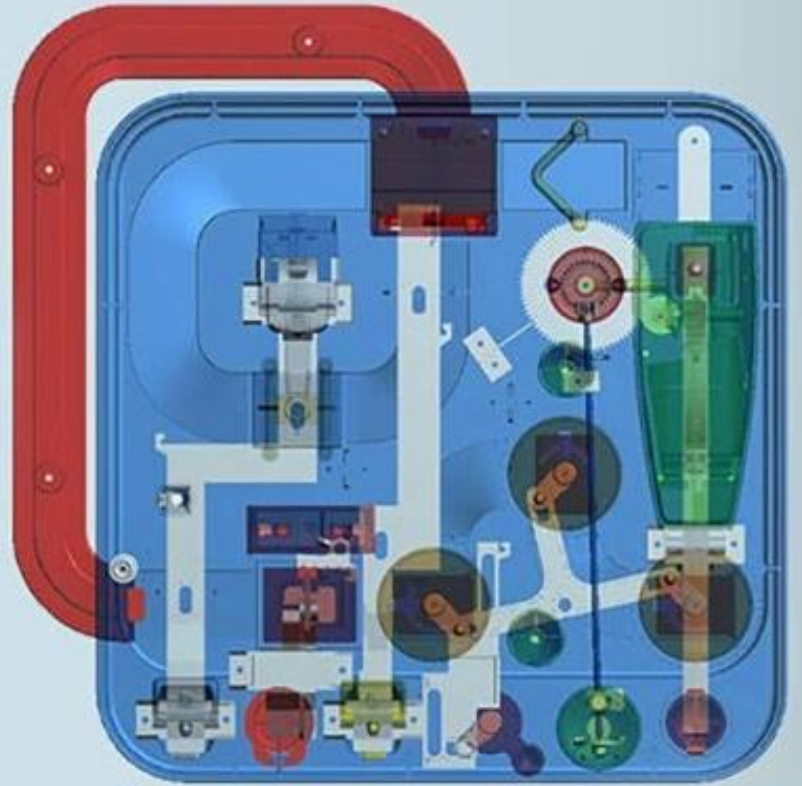


Change direction

End

Starting point

**SCIENTIFIC
MECHANICAL
FRAMEWORK**



**SUBVERTING
TRADITION**

