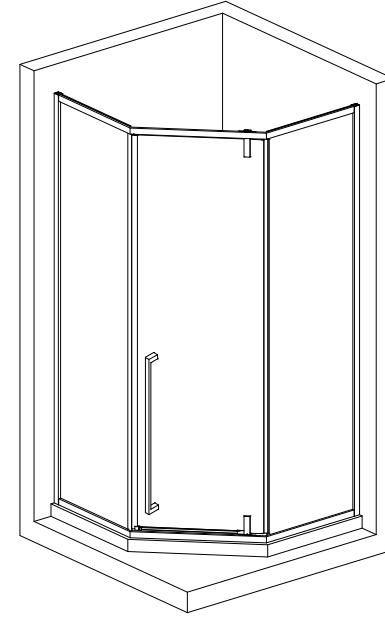
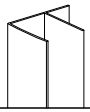
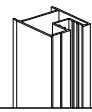

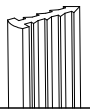
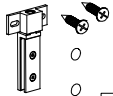
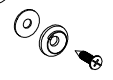







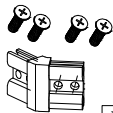
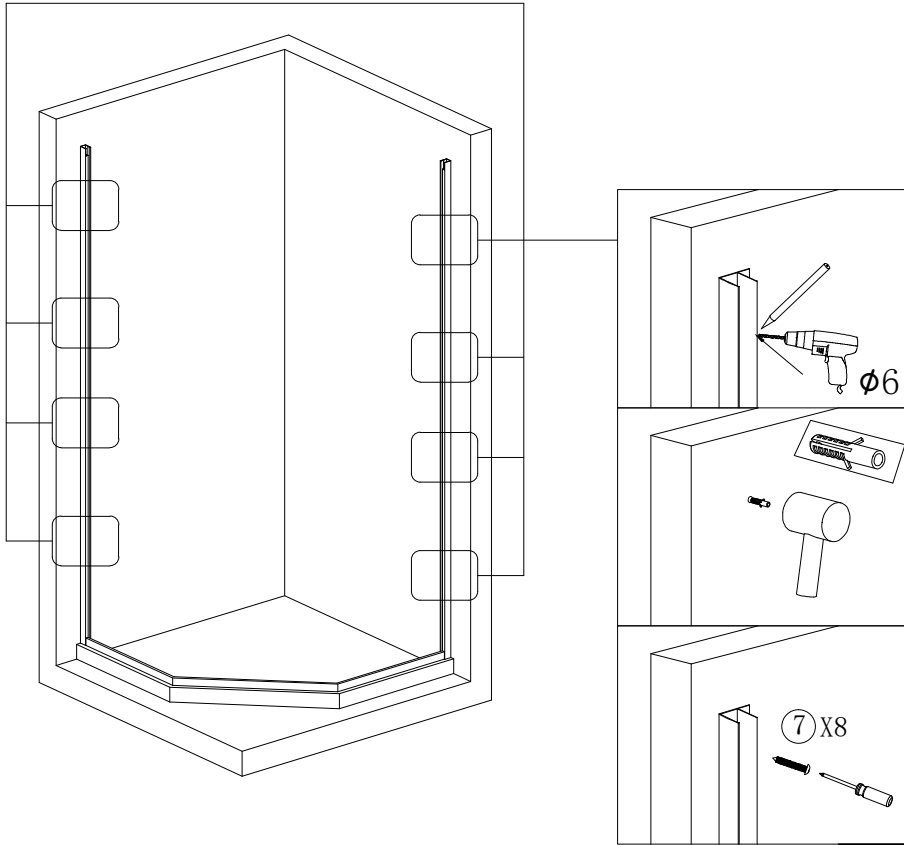
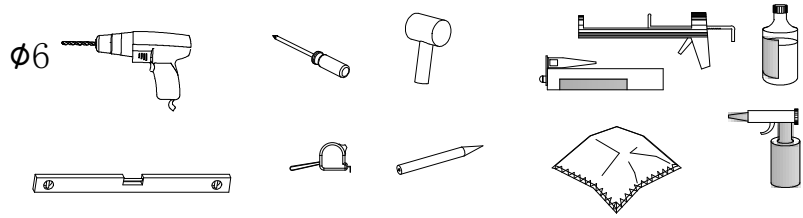


8

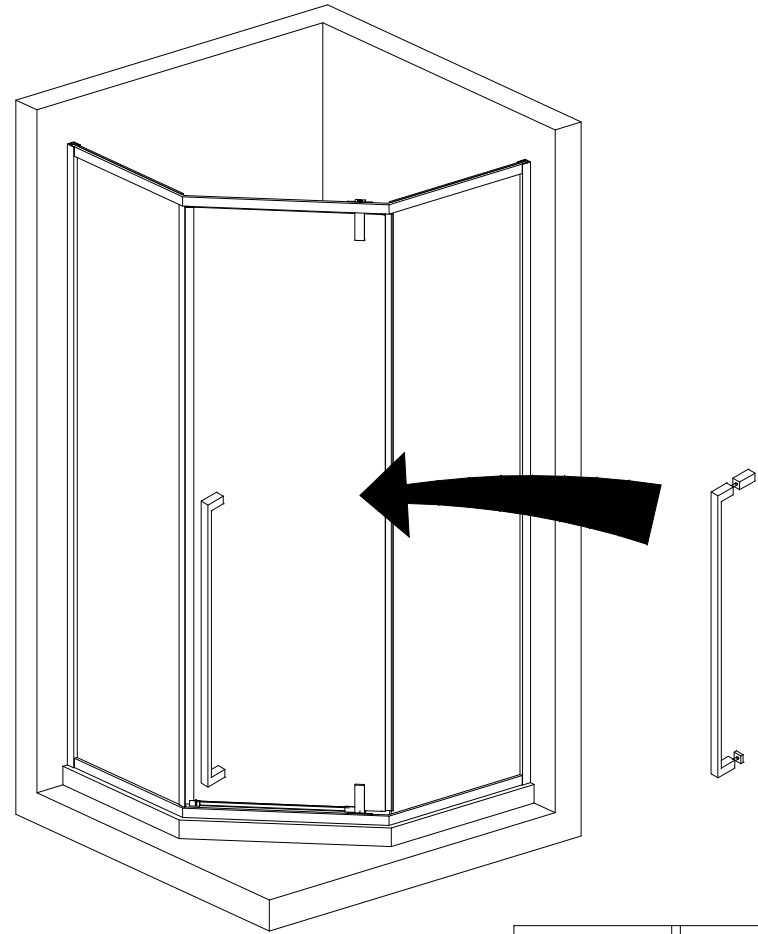


①  X2	②  X2	③  X2	④  X2	⑤  X2
⑥  X8	⑦  ST4*30 X8	⑧  X1	⑨  X1	⑩  X1
⑪  X1	⑫  ST4*12 X8	⑬  ST4*35 X8	⑭  X4	

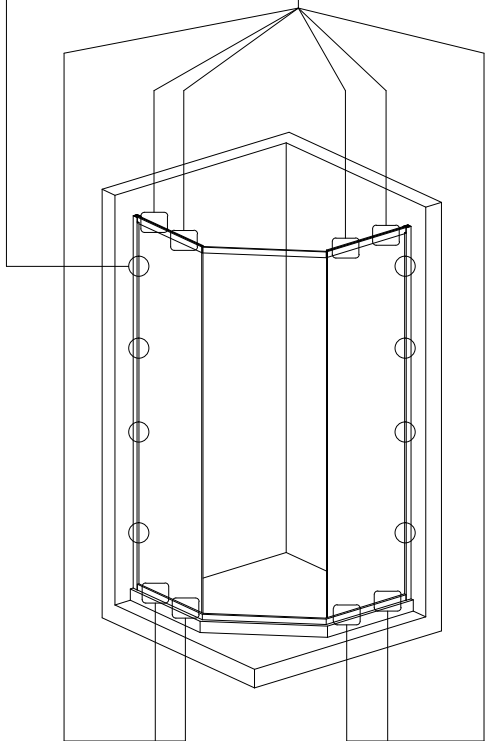
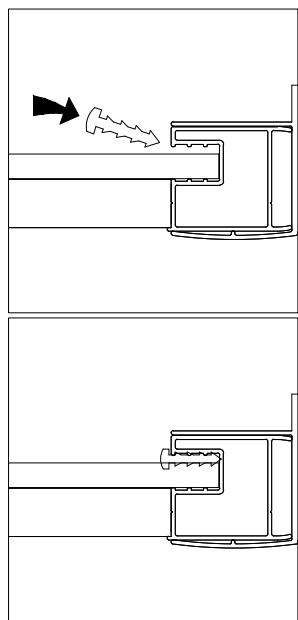
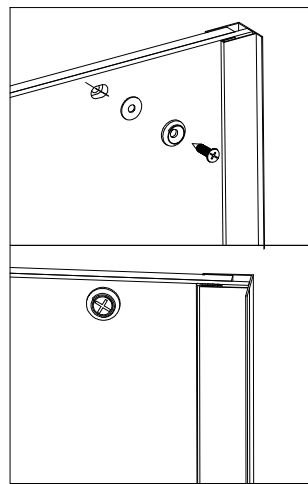
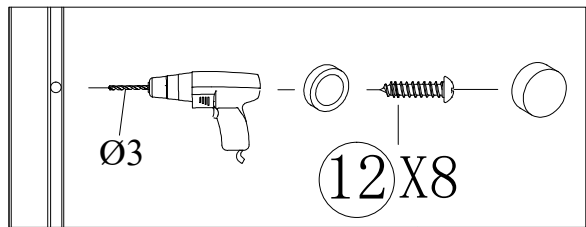
1



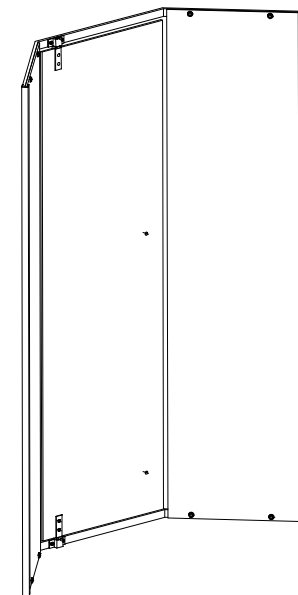
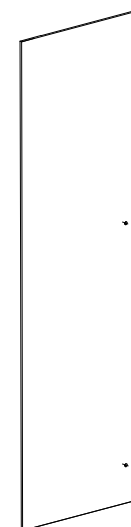
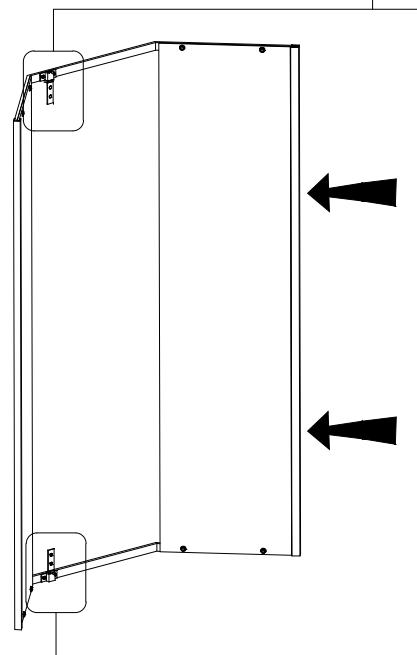
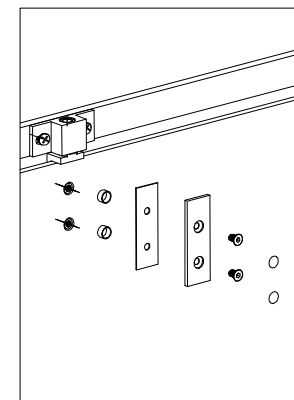
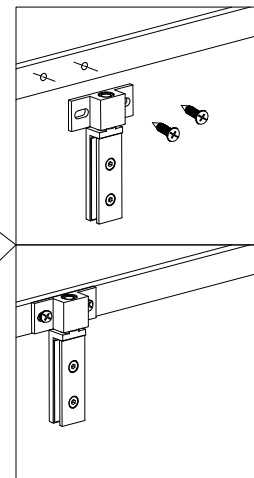
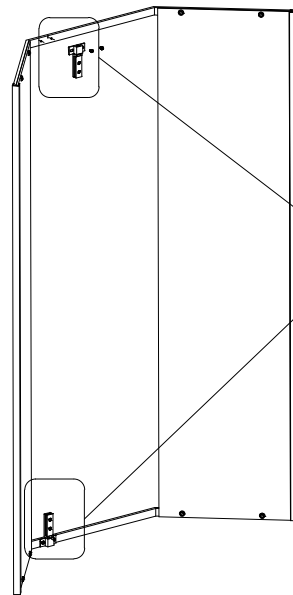
2



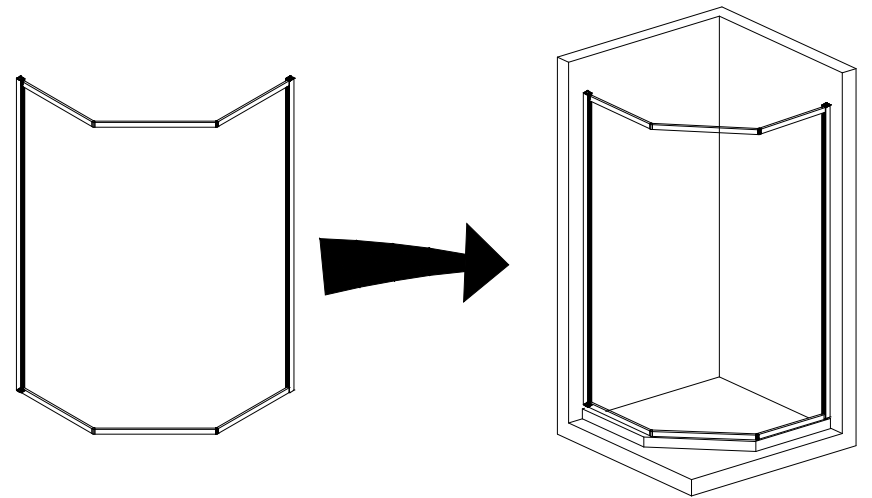
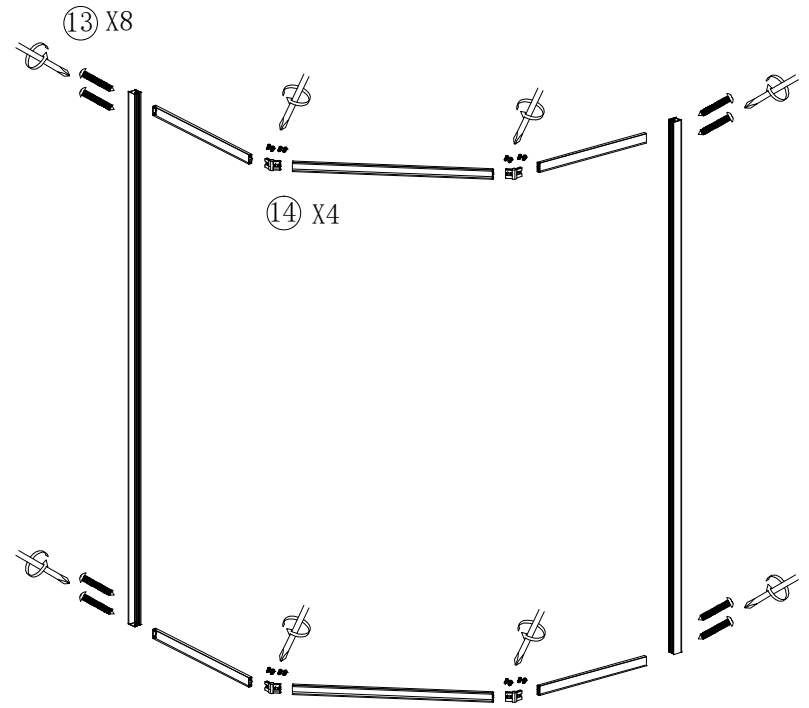
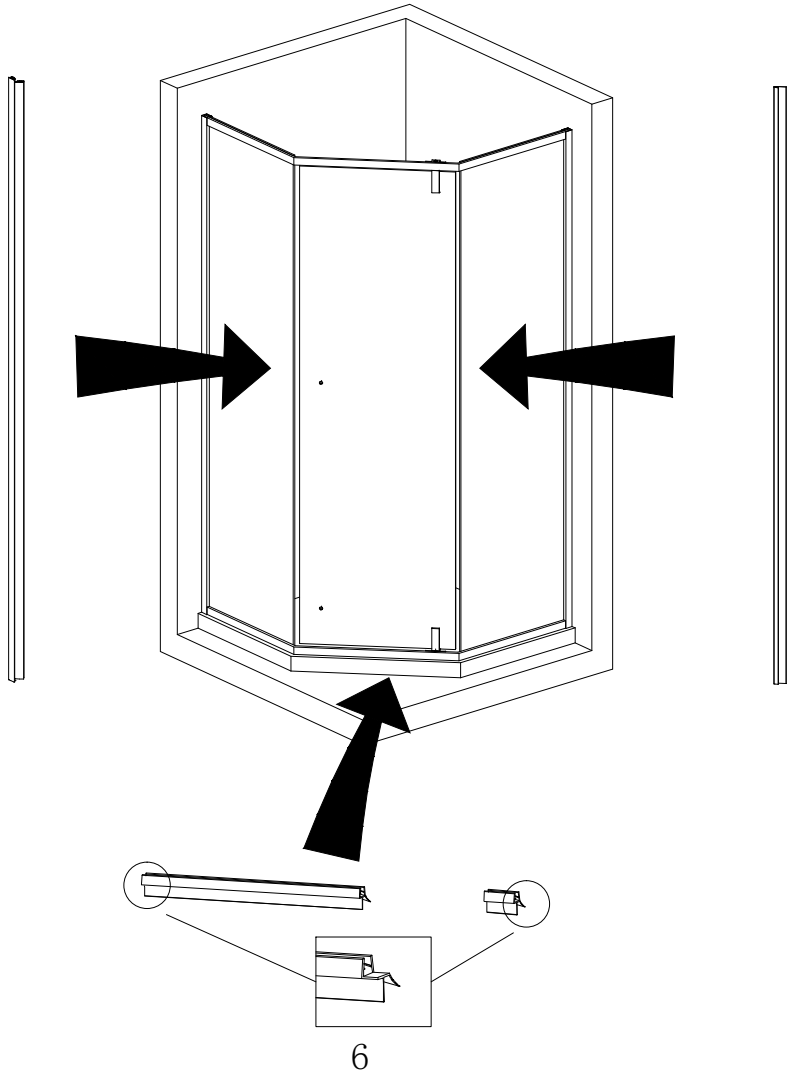
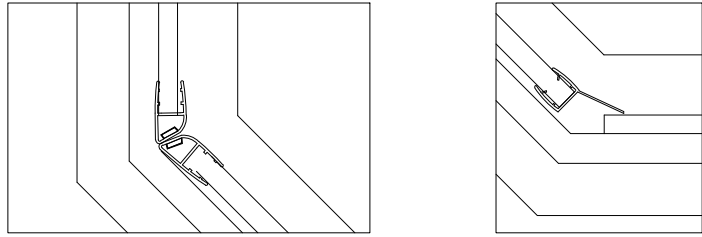
7



4



5



3