


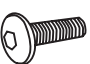


Assembly instruction | Slim metal tube base




Seat options



Included parts

A x1	B x1
Seat	
C x4 (M6*20)	D x4 (M6*16*1)
	
E x4	
	

*** ATTENTION!**
For upholstered shell
use different parts

C -> 4x M6*45 screws 
F -> 4x Ø20*20 washer 