



For all kinds of music

Hello!

Y885 Colourful Light Bluetooth Speaker User Manual

Dear AWEI User,

Thank you for choosing AWEI product. Your choice is crucial for us, which means AWEI has added a new user. Hope that we will bring you a good experience through our products and services. Also hope you will put forward the good advice and suggestions by official customer hotline, Weibo and Wechat in the process of product experience, which can help AWEI to constantly improve product and service.

If you encounter any problems in the using product, please refer to service process. Your support is our strongest power, also your recognition and evaluation are a great encouragement to AWEI. Thank you!

AWEI sales team

1

Introduction

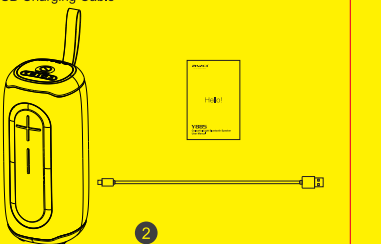
Thank you for purchasing the model AWEI Y885 Portable Outdoor Wireless Speaker. Pls read this manual before use.

Bluetooth wireless communications Technology introduction

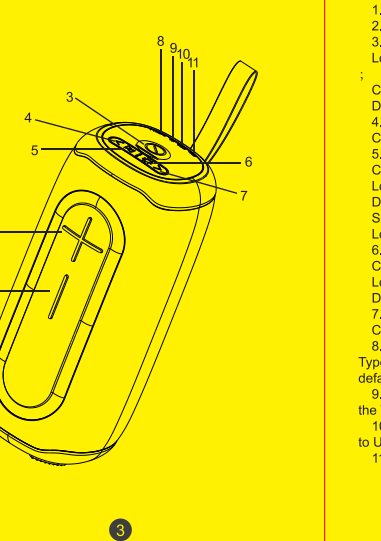
Bluetooth is a kind of wireless technology which support short distance communications (work normally within a distance of 10M) with it you can exchange information by wireless between many IT digital devices like mobile phones / wireless earphones / computers etc. Bluetooth technology effectively and simplify to the communications which makes device and data transmission quickly and off effectively.

Accessories List

- 1X Bluetooth Speaker 1X User Manual 1X USB Charging Cable



Overview Of Speaker



Case description

- 1. Key+: Click: Volume up. 1.1. Before using wireless pairing, first turn on the audio power, it is already the default wireless model. 1.2. Turn on the wireless device, search for AWEI Y885 ,connect and pair, connect After success, start playing music experience. Long press about 3 seconds/time: Power On/Off Mode ; Click: Play/Pause mode; Double click: radio receiver mode. 4.<key Click: Previous song 5.Serial key: Click: Tandem/Exit Tandem; Long press: Switch mode; Double click in Bluetooth mode: Callback the phone; Short press: Answer/end a call; Long press for 2 seconds:Reject the call 6.Light button Click: Convert light mode; Long press: Turn lights on/off Double click: exit/back to Bluetooth connection 7.>key: Click: Next song 8.Type-C port: Charging line interface. When the Type-C charging line is inserted, the device is charged by default. 9.TF port: When the TF card is inserted, the default is the TF card playing mode 10.USB port: When the USB stick is inserted, it defaults to USB playback mode 11.AUX jack: Standard 3.5mm headphone jack.

How to use

- 1.Wireless pairing 1.1. Before using wireless pairing, first turn on the audio power, it is already the default wireless model. 1.2. Turn on the wireless device, search for AWEI Y885 ,connect and pair, connect After success, start playing music experience. 2. Suitable for various mobile phone accessories wireless technology, wireless adapter, wireless player. 3. Voice prompt 3.1. There is a voice prompt when turning on/off; 3.2. When the volume is increased to the maximum volume, there will be a voice prompt, and the minimum volume will not have a voice prompt. 3.3 Shut down after detecting 3.4V low power prompt 3 times; 4. Mode switching 4.1. It enters the wireless mode by default when it is turned on. The sequence of mode switching is as follows:Wireless mode-FM mode-TF card mode-USB mode-AUX mode. 4.2. Mode: Post-insertion priority. 5.TWS Operating Instructions Open any two speakers at the same time, click one TWS serialkey.When you hear the "beep" to enter the TWS search, the connection prompt tone sounds when the TWS connect successful, and the host indicator flashes and the copilot lights up. 6.Play indicator Wireless search status: white light flashing, about 0.5seconds/time; Wireless pairing status: white light is always on Play status: the white light flashes slowly for about 1 second/time

How to use

- 7.Charging indicator When charging, the 3 indicator lights flash from left to right; When the volume is 35%, the 1st indicator lights is normally on, and the 2nd-3rd flashes; When the volume is 70%, the 1st-2nd indicator light are normally on, and the 3rd indicator light are flashing. When the volume is 100%, the 3 are indicator lights are always on; 8.Volume Turn on the default speaker volume at 70% 9.Charging and using: This speaker has built-in overcharge protection circuit, which can be connected to a computer or charger for along time, About 4 hours Charging is fully, The play time of each battery is different because of the volume difference when use the speaker. 10.It will automatically shut down after 15 minutes if it is in no play status.

Product specification

- Bluetooth version: V5.3+EDR Playback mode: Bluetooth/AUX/TF card/U disk Play time music : 4 hours Charging time : 3.5 hours Battery capacity: 3000mAh Speaker power: 20W Charging voltage: 5V1A Frequency response range: 80Hz~15KHz Bluetooth operating frequency: 2402MHZ-2480MHZ Bluetooth transmission distance: 10M Speaker unit: 66-32 4 ohm 10w Audio signal-to-noise ratio: ≥60dB Receiving sensitivity: 2M/S

Trouble clearing

- 1. Automatic shutdown: When the battery power is low, the battery protection will be turned on automatically, please charge it for 4 hours before use. 2. Unable to play music: The music file storage path cannot be recognized by the player. Please store the music file in the root directory of the removable device. 3. There is no sound when connected to the computer: the computer interface is connected incorrectly, please select the correct audio output port 4. There is no response to the keys or the function is disordered: try again after shutting down. 5. When the speaker is abnormal, long press the On/Off key for 8 seconds to reset automatically

Safety And Maintenance

- Please read suggests below in order to helping prolong the product lifespan and clearly understand the warranty clauses. ★ Keep the product dry, do not put it in humid circumstance to avoid short circuit. ★ Do not expose it to the sun or high heat. High heating will short lifespan of electronic components, damage battery and deform some plastic parts. ★ Do not attempt to take apart the product, especially non-professionals. ★ Do not fall, vibrate strongly, strike with hard objects, to avoid damage to inner electronic circuit. ★ Do not use high chemical products, detergent to clean the item. ★ Do not scratch the surface with sharp items to avert damaging the case and appearance. ★ Do not make it charging 10 hours continuously for the sake of lifespan. If the product can not work properly, please send it to AWEI authorized maintenance agents. Our staff will help to solve the problems for you. Statement: In order to improve product performance we will upgrade products, the content may change without notice, pls forgive! Thank you for your purchase.

Products after-sales service

- 1. 7 Days Refund Policy A. Guarantee of Refund: Within 7 days since the date of purchase, the manufacturer promises to refund if the product bought from AWEI immediate shops or authorized distributor shops is in quality problem (artificial and external force damage excluded). B. Refund Procedure: Please take the product, whole set of package and original invoice to (or please freight pre-paid to) the shop you bought the product for checking. The seller will check by Quality Assurance Identification Rules to clarify the problem. If yes, the seller should refund the money the user paid for the product. 2. 15 Days Replacement Policy A. Guarantee of Replacement: Within 15 days since the date of purchase, the manufacturer promises to replace if the product bought from AWEI immediate shops or authorized distributor shops is in quality problem (artificial and external force damage excluded). B. Replacement Procedure: Please take the product, whole set of package and original invoice to (or please freight pre-paid to) the shop you bought the product for checking. The seller will check by Quality Assurance Identification Rules to clarify the problem. If yes, the seller should replace the product and issue a new invoice to the user. Freight arrangements please check with the shop you contact. 3. Twelve Months Warranty Policy A. Guarantee of Maintenance: Within twelve months since the date of purchase, the manufacturer promises to offer

Products after-sales service

- maintenance service if the product bought from AWEI immediate shops or authorized distributor shops is in quality problem (artificial and external force damage excluded). B. Maintenance Procedure: Please take the product, whole set of package and original invoice to (or please freight pre-paid to) the shop you bought the product for checking. The seller will check by Quality Assurance Identification Rules to clarify the problem. If yes, the seller should fill warranty card with official stamp and send back to manufacturer. After repairing, manufacturer sends the product to the seller and the seller should inform the user to collect it. Freight arrangements please check with the shop you contact. 4. Quality Assurance Identification Rules A. Quality Assurance is NOT applicable to those items: accessories like packing box, pouch, ear clip and earmuffs; product beyond warranty period; product got from unauthorized agents or informal channels; fake AWEI product; AWEI premium; artificial damaged product; external force damaged product. B. Quality Assurance Identification Procedure: Check warranty period (by original invoice) —— confirm original product (check security code on AWEI official website) —— check product damage (clarify artificial damage and external force like water, fire, chemicals or weight crush damages) —— check product quality (to confirm if the testing result is conform to description) —— check buying channel (subject to manufacturer's verification).

AWEI Warranty Card (please fill this carefully)

Model No.	Barcode
User Name	TEL
Address	
Seller	Seller Tel
Seller Add	
Date of purchase	Date for Maintenance
Damage situation	Maintenance time
Remark	



您好!

Y885 幻彩灯光蓝牙音箱 使用说明

尊敬的AWEI用户：
感谢您选用AWEI产品！您的选择对于我们至关重要，这意味着AWEI又增加了一名新用户。希望通过我们的产品和服务，为您带来上佳的体验。也希望您在产品体验过程中，通过官方客户热线、微博、微信、等提出好的意见和建议，帮助AWEI不断完善产品和服务。

如果您在产品使用过程中遇到任何问题，请参照服务流程，方便、快捷地获取帮助。您的支持是我们成长的动力，您的每一次认可和评价都是对AWEI莫大的鼓励。谢谢！

AWEI营销团队

介绍

非常感谢您使用AWEI Y885户外防水蓝牙音箱，在使用本产品之前，请仔细阅读本手册。

蓝牙无线通信的技术介绍

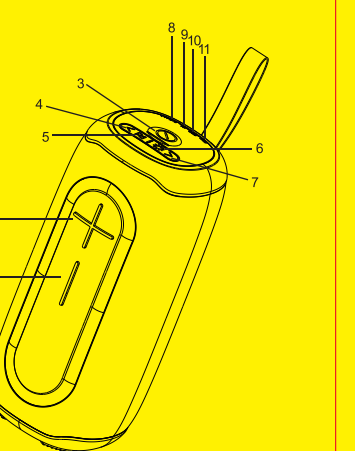
蓝牙是一种支持设备短距离通信（通常在10M内）的无线电技术。能在包括手机、无线耳机、电脑等众多IT数码设备之间进行无线信息交换。利用“蓝牙”技术能有效地简化设备之间的通信，数据传输从而变得更加迅速高效。

附件清单

- 1X 蓝牙音箱
- 1X USB充电线
- 1X 说明书



按键说明



怎样使用

1. 无线配对
 - 1.1. 使用无线配对前，首先打开音频电源，它已经是默认无线模式。
 - 1.2. 打开无线设备，搜索AWEI Y885，连接配对连接成功后，开始播放音乐体验。
2. 适用于各种手机配件无线技术，无线适配器，无线播放器。
3. 语音提示
 - 3.1. 开/关机有语音提示音；
 - 3.2. 音量加到最大音量有语音提示，最小音量无语音提示
- 3.3. 检测到3.4V低电提示3次后关机
4. 模式切换
- 4.1. 开机默认进入无线模式
- 4.2. 模式:后插优先。
5. TWS操作说明

任意两个音箱同时打开，单击其中一个TWS串联键听到“嘟”的一声进入TWS搜索，当TWS连接成功响连接提示音，主机指示灯闪烁，副机长亮
6. 播放指示灯

无线搜索状态:白灯快闪,约0.5秒/次;
无线配对状态:白灯常亮
播放状态:白灯灯慢闪约1秒/次;
9. TF插孔:插入TF卡时，默认为TF卡播放模式
10. USB插孔:插入U盘时，默认为USB播放模式
11. AUX插孔:标准中3.5mm耳机插孔

怎样使用

7. 充电指示灯

充电为3颗流水灯从左至右闪烁
电量35%第1颗常亮2.3颗闪烁
电量70%第1-2颗常亮3颗闪烁
电量100%第1-2-3颗常亮
8. 音量

开机默认音箱70%音量。
9. 充电使用:

本机内置过充保护电路，可长时间连接电脑或充电器，约四小时即可完成充电。每个电池的播放时间会因使用不同大小的音量而有所不同。
10. 无工作状态，15分钟后自动关机。

怎样使用

1. 自动关机: 电池电量不足时会自动开启电池保护，请充电4小时后使用。
2. 无法播放音乐: 音乐文件存储路径不能被播放器识别任意两个音箱同时打开，单击其中一个TWS串联键听到“嘟”的一声进入TWS搜索，当TWS连接成功响连接提示音，主机指示灯闪烁，副机长亮
3. 连接电脑无声: 电脑界面连接错误，请选择正确的音频输出端口4. 按键无反应或功能错乱: 关机后重试。
5. 当机器出现异常情况时，长按开机关机键8秒自动复位

怎样使用

7. 充电指示灯

充电为3颗流水灯从左至右闪烁
电量35%第1颗常亮2.3颗闪烁
电量70%第1-2颗常亮3颗闪烁
电量100%第1-2-3颗常亮
8. 音量

开机默认音箱70%音量。
9. 充电使用:

本机内置过充保护电路，可长时间连接电脑或充电器，约四小时即可完成充电。每个电池的播放时间会因使用不同大小的音量而有所不同。
10. 无工作状态，15分钟后自动关机。

怎样使用

7. 充电指示灯

充电为3颗流水灯从左至右闪烁
电量35%第1颗常亮2.3颗闪烁
电量70%第1-2颗常亮3颗闪烁
电量100%第1-2-3颗常亮
8. 音量

开机默认音箱70%音量。
9. 充电使用:

本机内置过充保护电路，可长时间连接电脑或充电器，约四小时即可完成充电。每个电池的播放时间会因使用不同大小的音量而有所不同。
10. 无工作状态，15分钟后自动关机。

怎样使用

7. 充电指示灯

充电为3颗流水灯从左至右闪烁
电量35%第1颗常亮2.3颗闪烁
电量70%第1-2颗常亮3颗闪烁
电量100%第1-2-3颗常亮
8. 音量

开机默认音箱70%音量。
9. 充电使用:

本机内置过充保护电路，可长时间连接电脑或充电器，约四小时即可完成充电。每个电池的播放时间会因使用不同大小的音量而有所不同。
10. 无工作状态，15分钟后自动关机。

怎样使用

7. 充电指示灯

充电为3颗流水灯从左至右闪烁
电量35%第1颗常亮2.3颗闪烁
电量70%第1-2颗常亮3颗闪烁
电量100%第1-2-3颗常亮
8. 音量

开机默认音箱70%音量。
9. 充电使用:

本机内置过充保护电路，可长时间连接电脑或充电器，约四小时即可完成充电。每个电池的播放时间会因使用不同大小的音量而有所不同。
10. 无工作状态，15分钟后自动关机。

怎样使用

7. 充电指示灯

充电为3颗流水灯从左至右闪烁
电量35%第1颗常亮2.3颗闪烁
电量70%第1-2颗常亮3颗闪烁
电量100%第1-2-3颗常亮
8. 音量

开机默认音箱70%音量。
9. 充电使用:

本机内置过充保护电路，可长时间连接电脑或充电器，约四小时即可完成充电。每个电池的播放时间会因使用不同大小的音量而有所不同。
10. 无工作状态，15分钟后自动关机。

怎样使用

7. 充电指示灯

充电为3颗流水灯从左至右闪烁
电量35%第1颗常亮2.3颗闪烁
电量70%第1-2颗常亮3颗闪烁
电量100%第1-2-3颗常亮
8. 音量

开机默认音箱70%音量。
9. 充电使用:

本机内置过充保护电路，可长时间连接电脑或充电器，约四小时即可完成充电。每个电池的播放时间会因使用不同大小的音量而有所不同。
10. 无工作状态，15分钟后自动关机。

怎样使用

7. 充电指示灯

充电为3颗流水灯从左至右闪烁
电量35%第1颗常亮2.3颗闪烁
电量70%第1-2颗常亮3颗闪烁
电量100%第1-2-3颗常亮
8. 音量

开机默认音箱70%音量。
9. 充电使用:

本机内置过充保护电路，可长时间连接电脑或充电器，约四小时即可完成充电。每个电池的播放时间会因使用不同大小的音量而有所不同。
10. 无工作状态，15分钟后自动关机。

AWEI
@ 2023 年 保留 A W E I 所 有 权 ， 其 L O G O “AWEI” “AWEI 用维” “AWEI” “AWEI” 属深圳市雅乐电子有限公司在中国及其他国家和地区注册的商标，仿冒必究！
产品执行标准: Q/YL 005-2015

香港雅乐国际有限公司 监制
深圳市雅乐电子有限公司 出品
厂址: 中国深圳市龙华区大浪裕泰科技园

消费者服务热线/传真:
电话: +86-755-82999998
传真: +86-755-83777998
合作邮箱: yale@awei.hk
售后服务: service@awei.hk

获取更多信息请访问:
www.awei.hk

国外社区:
twitter : <https://www.twitter.com/aweiearphone>
facebook : <https://www.facebook.com/aweiproducs>
instagram : <http://www.instagram.com/aweiearphone>

产品售后服务指南

- 一、七天包退细则
A.包退原则: 用户在AWEI直属专营店或经AWEI授权的经销商所购买的产品，自购买之日起7天内，产品未受到任何人为或外力的损害而发生的产品质量问题，厂家包退货。
B.退货流程: 用户将产品、包装和票据完整地拿到（或自费邮寄到）购买地点给卖家检测——卖家按质保鉴定规则检测，鉴定该产品有产品质量问题——卖家退还用户购买产品时所付的费用。
- 二、十五天包换细则
A.包换原则: 用户在AWEI直属专营店或经AWEI授权的经销商所购买的产品，自购买之日起15天内，产品未受到任何人为或外力的损害而发生的产品质量问题，厂家包换货。
B.换货流程: 用户将产品、包装和票据完整地拿到（或自费邮寄到）购买地点给卖家检测——卖家按质保鉴定规则检测，鉴定该产品有产品质量问题——卖家为用户更换货品并开具新票据。
- 三、十二个月包修细则
A.包修原则: 用户在AWEI直属专营店或经AWEI授权的

产品售后服务指南

- 一、七天包退细则
A.包退原则: 用户在AWEI直属专营店或经AWEI授权的经销商所购买的产品，自购买之日起7天内，产品未受到任何人为或外力的损害而发生的产品质量问题，厂家包退货。
B.退货流程: 用户将产品、包装和票据完整地拿到（或自费邮寄到）购买地点给卖家检测——卖家按质保鉴定规则检测，鉴定该产品有产品质量问题——卖家退还用户购买产品时所付的费用。
- 二、十五天包换细则
A.包换原则: 用户在AWEI直属专营店或经AWEI授权的经销商所购买的产品，自购买之日起15天内，产品未受到任何人为或外力的损害而发生的产品质量问题，厂家包换货。
B.换货流程: 用户将产品、包装和票据完整地拿到（或自费邮寄到）购买地点给卖家检测——卖家按质保鉴定规则检测，鉴定该产品有产品质量问题——卖家为用户更换货品并开具新票据。
- 三、十二个月包修细则
A.包修原则: 用户在AWEI直属专营店或经AWEI授权的

产品售后服务指南

- 一、七天包退细则
A.包退原则: 用户在AWEI直属专营店或经AWEI授权的经销商所购买的产品，自购买之日起7天内，产品未受到任何人为或外力的损害而发生的产品质量问题，厂家包退货。
B.退货流程: 用户将产品、包装和票据完整地拿到（或自费邮寄到）购买地点给卖家检测——卖家按质保鉴定规则检测，鉴定该产品有产品质量问题——卖家退还用户购买产品时所付的费用。
- 二、十五天包换细则
A.包换原则: 用户在AWEI直属专营店或经AWEI授权的经销商所购买的产品，自购买之日起15天内，产品未受到任何人为或外力的损害而发生的产品质量问题，厂家包换货。
B.换货流程: 用户将产品、包装和票据完整地拿到（或自费邮寄到）购买地点给卖家检测——卖家按质保鉴定规则检测，鉴定该产品有产品质量问题——卖家为用户更换货品并开具新票据。
- 三、十二个月包修细则
A.包修原则: 用户在AWEI直属专营店或经AWEI授权的

AWEI产品保修卡 (请认真填写完整)

产品型号	条形码	
用户名字	用户电话	
用户住址		
商家名称	商家电话	
商家地址		
购买日期	报修日期	
损坏情况	维修时间	
备注		