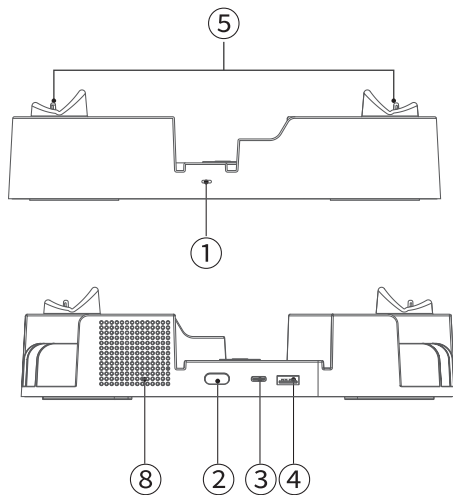
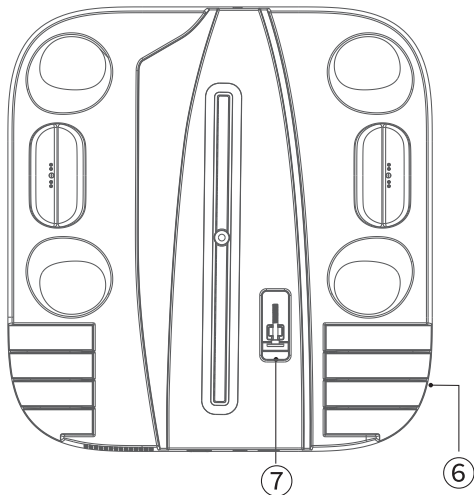


COOLING STAND WITH CONTROLLER CHARGER

manual

PS5[™]
READY



OVERVIEW

- | | |
|------------------------|--------------------------|
| 1. Fan speed indicator | 5. Gamepad charge port |
| 2. Fan speed setting | 6. Cassette storage port |
| 3. USB-C input port | 7. Fixing screw |
| 4. USB-A output port | 8. Cooling air outlet |

PACKING LIST

Cooling station	×1	2 in 1 charging cable	×1
Fixing screw	×1	Manual	×1

SPECIFICATIONS

Model:	QW PS5-5007	Fan gear:	high / middle / low
Input (USB-C):	5V-3A	Cooling station charging:	(5V-1A) x2
Output (USB-A):	5V-1A	Suitable for:	PS5 Disc Edition & PS5 Digital Edition



IMPORTANT SAFETY INSTRUCTIONS

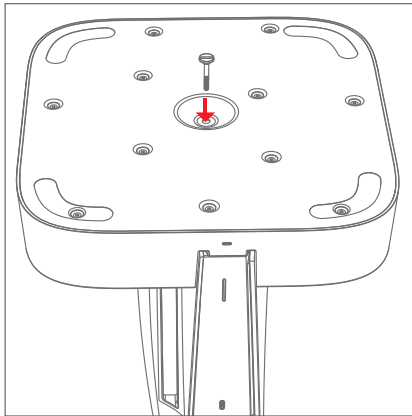
When using this product, basic precautions should always be followed, including the following:

1. Keep the product in a cool, dry place.
2. Don't put the product in a hot or humid environment.
3. Operating temperature should be between 0°C to 40°C/32°F to 104°F.
4. Don't disassemble the product. Take it to a qualified service person when service or repair is required. Incorrect reassembly may result in a risk of fire or injury to persons.
5. When it charges a device, this product may feel warm. This is a normal operation condition and shouldn't be a cause for concern.
6. Don't dispose the product in heat or fire.
7. Don't clean the product with harmful chemicals or detergents.
8. Misuse, dropping or excessive force may cause product damage.

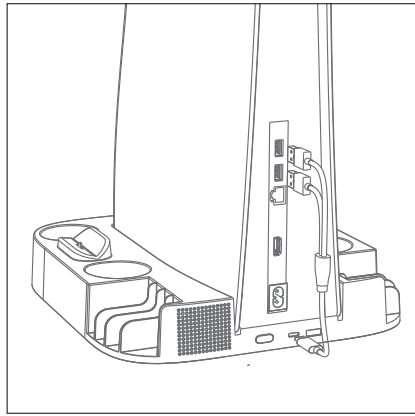


INSTRUCTIONS FOR USE

1. Take out the fixing screws, place the PS5 in the cooling station and fix it with the screws **(step 1)**.
2. Insert the USB-A end of the 2-in-1 charging cable into the PS5, and the TYPE-C end into the cooling station **(step 2)**.
3. Click the fan switch to turn on the cooling fan, the fan gears are “low speed - medium speed - high speed - off”, and the corresponding indicator light is “green-blue-red-off”



STEP 1



STEP 2



This product bears the selective sorting symbol for waste electrical and electronic equipment (WEEE).

This means that this product must be handled according to the European Directive 2002/96/EC in order to be recycled or dismantled to minimize its impact on the environment. For further information, please contact your local or regional authorities.

Should you need to dispose of this product, please note that electrical products should not be disposed of with household waste. Please dispose charger thoughtfully.



Pirox International B.V.: NL-3045 AP, 101 • Made in China

This product is not designed, sponsored, manufactured or endorsed by Sony Interactive Entertainment Inc., or any of their divisions. All other brand names are registered trademarks of their respective owners.

Specifications are subject to change without prior notice.

