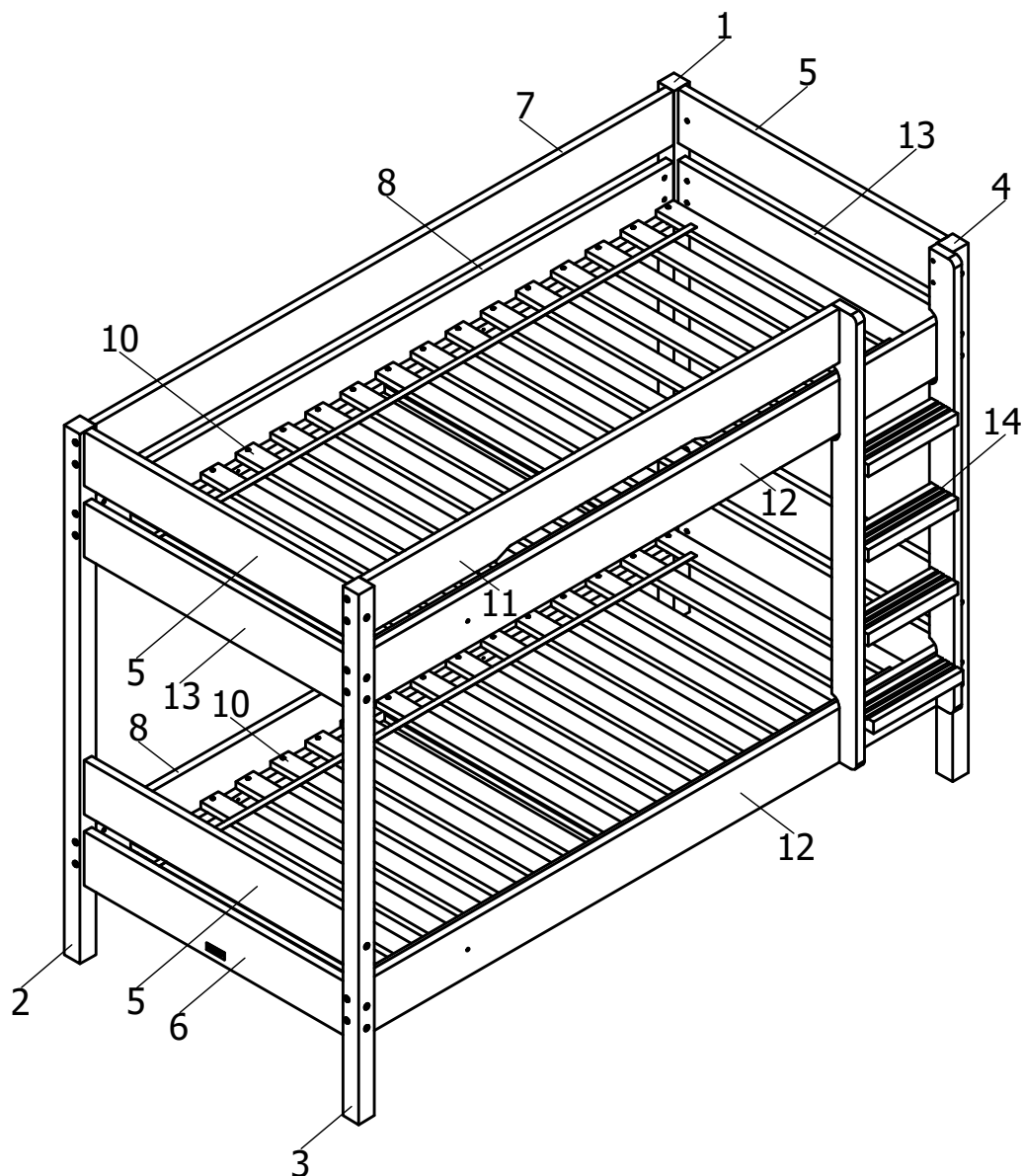


# bopita®

ASSEMBLY INSTRUCTION  
MONTAGE HANDLEIDING  
MONTAGE ANLEITUNG  
NOTICE DE MONTAGE  
MANUAL DE MONTAJE

UK  
NL  
D  
F  
ESP

MODEL : LUCAS  
TYPE : BUNKBED  
COLOUR : WHITE/NATURAL  
ART.CODE : 161232.03






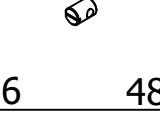
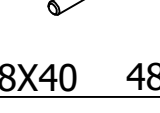
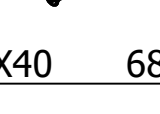
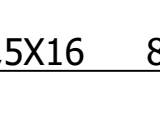
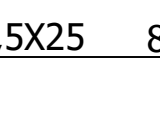

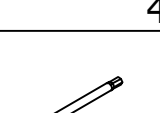
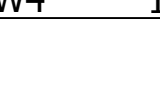
Distributor:

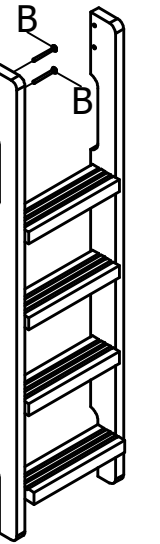
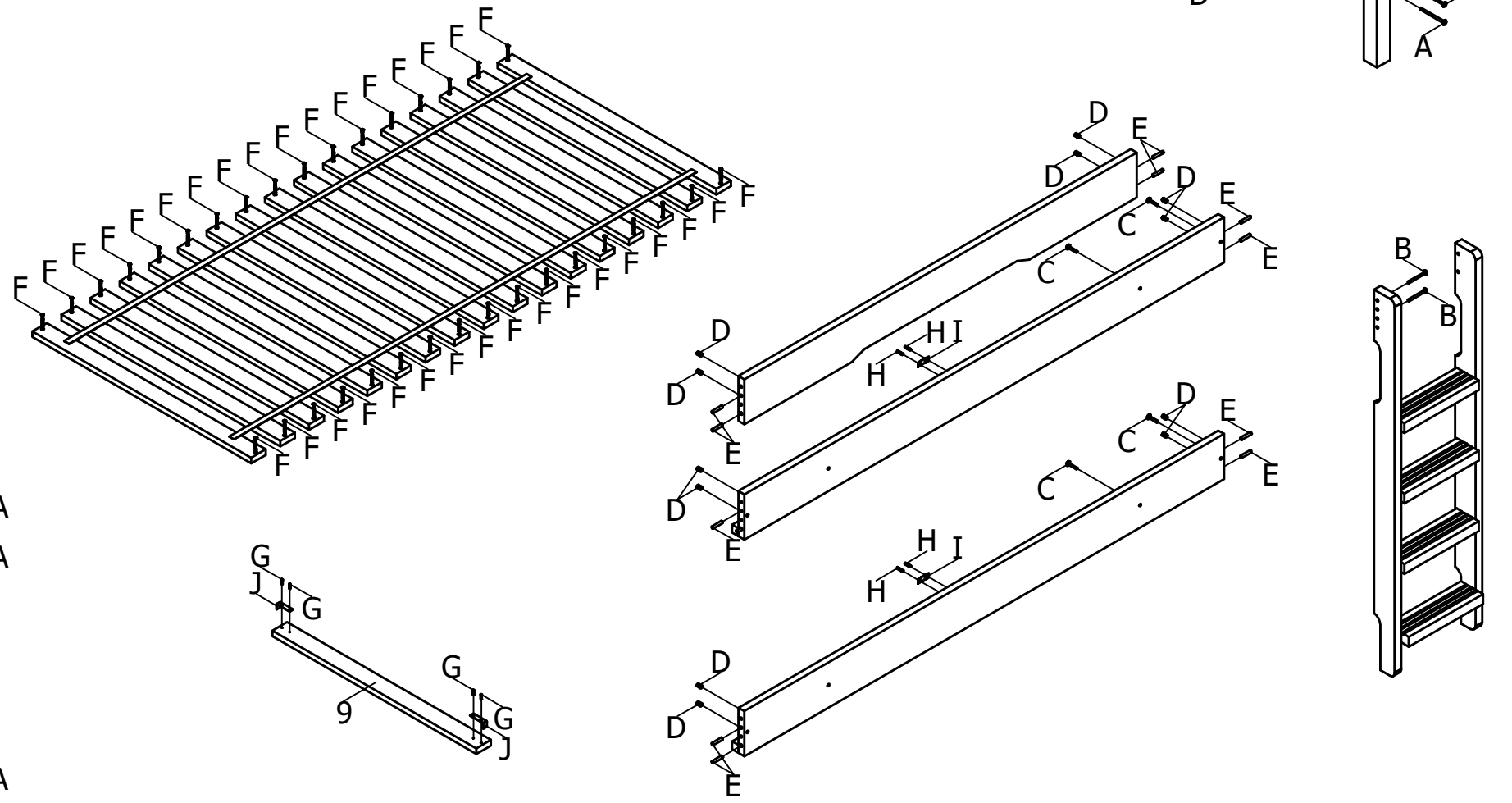
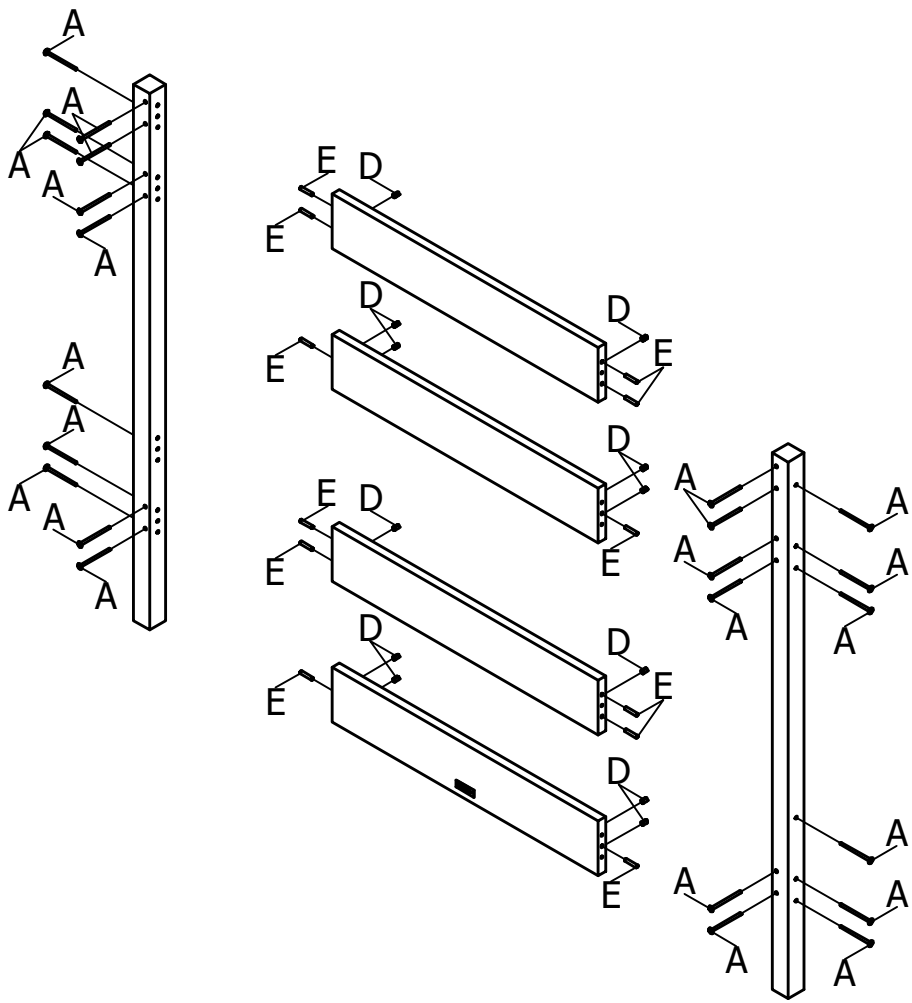
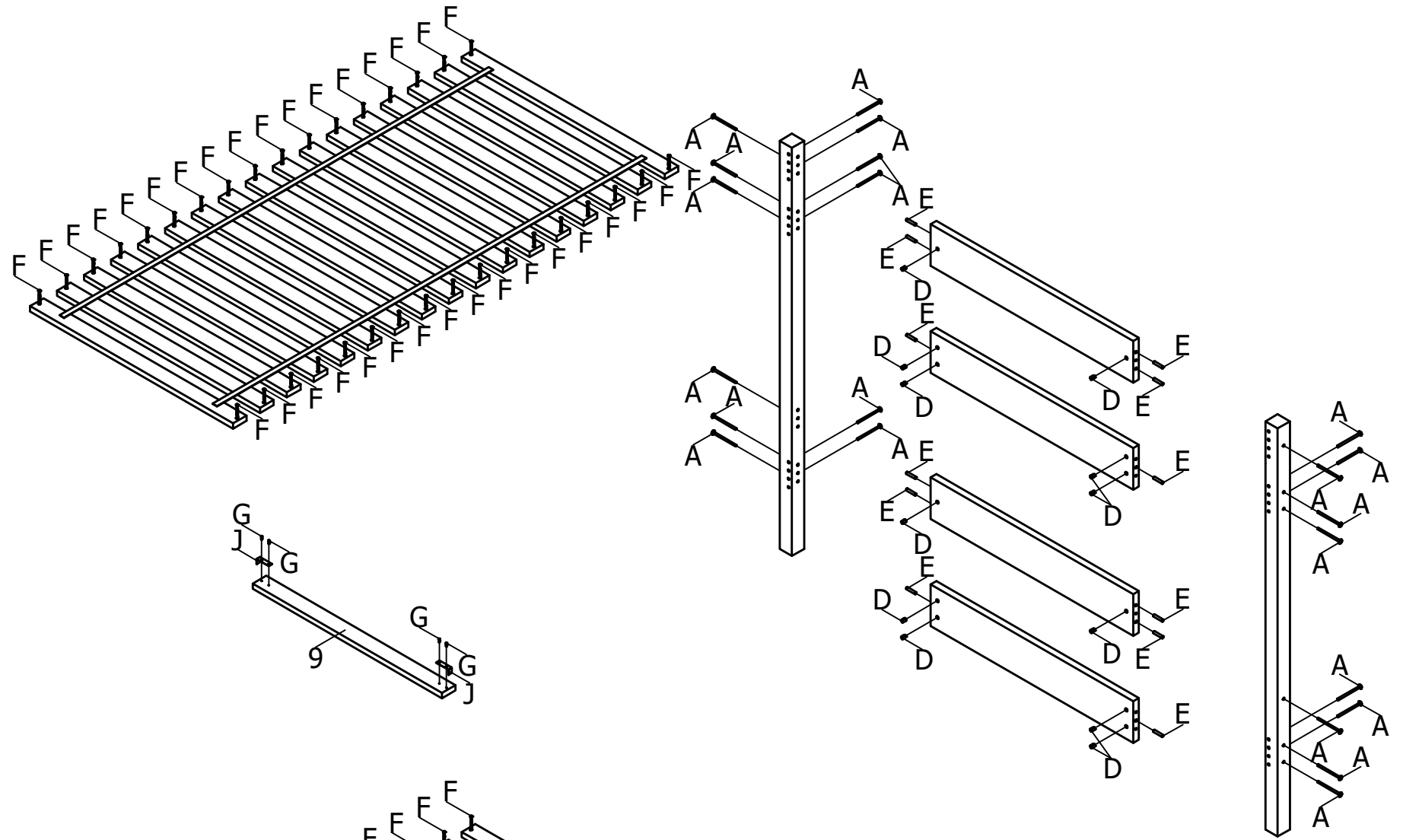
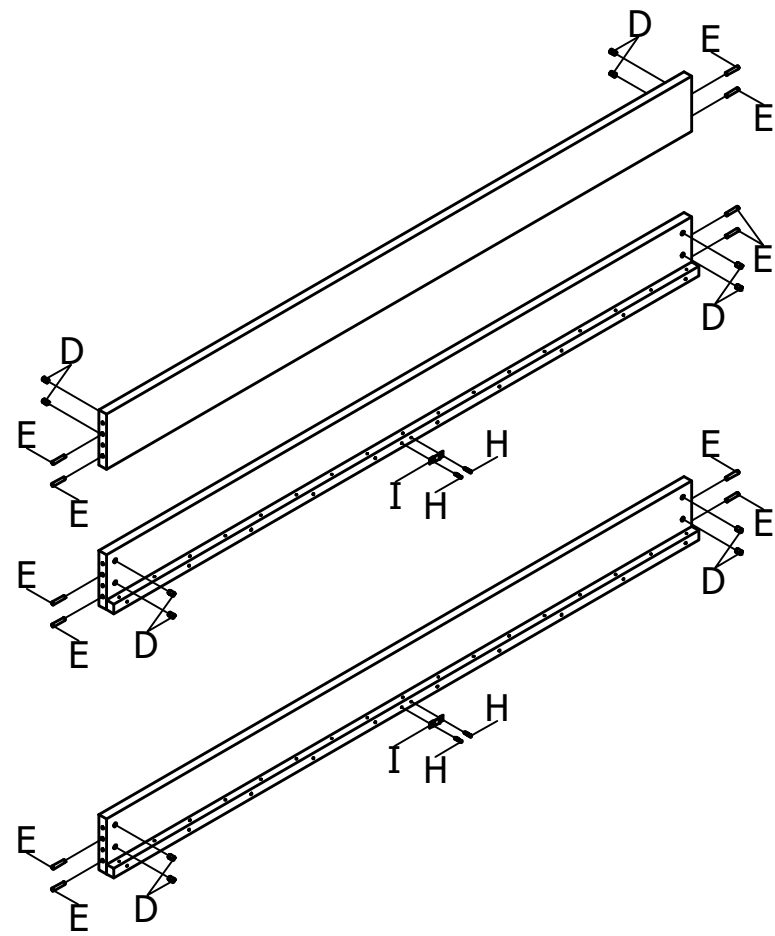
BOPITA  
Energieweg 1  
6662 NS Elst  
The Netherlands

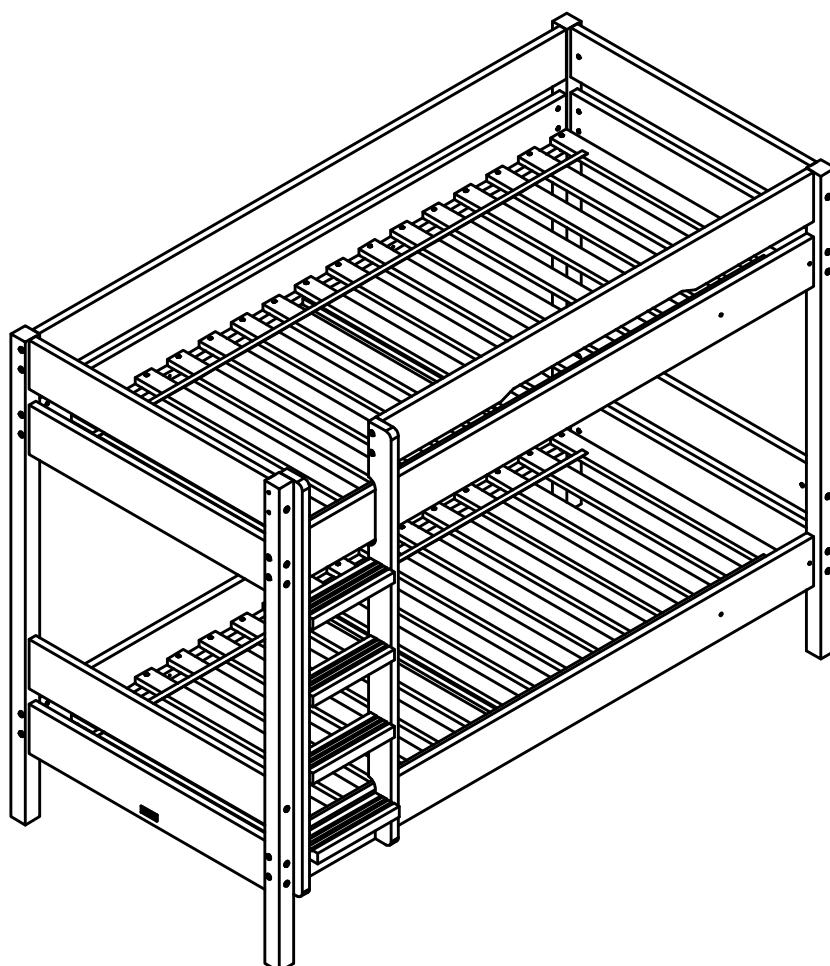
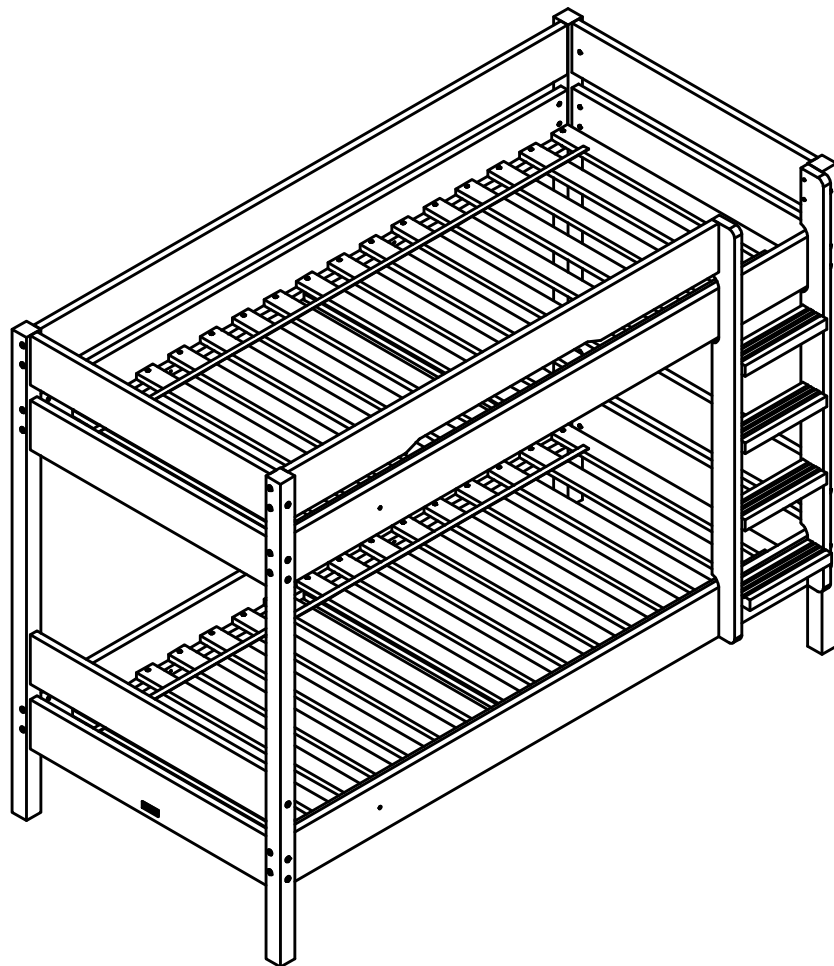


[www.bopita.com](http://www.bopita.com)

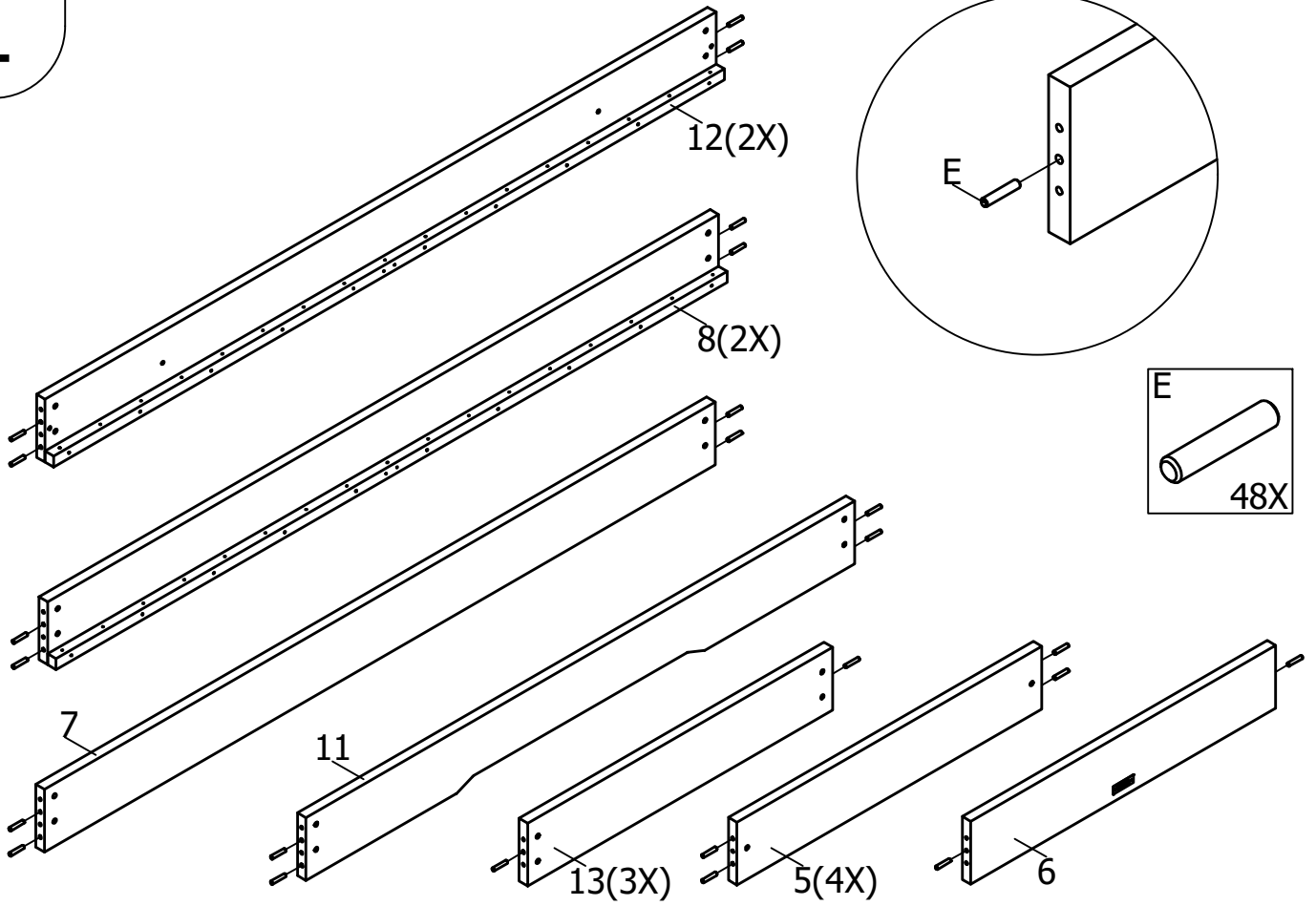
03.03.2023.

A		M6X100	46X
B		M6X70	2X
C		M6X35	4X
D		M6	48X
E		Ø8X40	48X
F		5X40	68X
G		3,5X16	8X
H		3,5X25	8X
I			4X
J			4X
K		SW4	1X

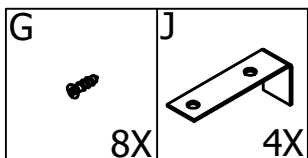
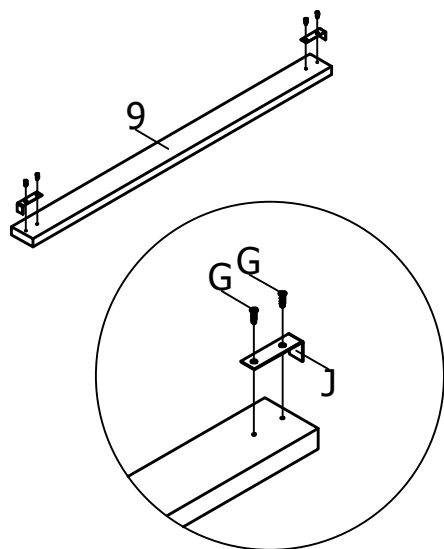




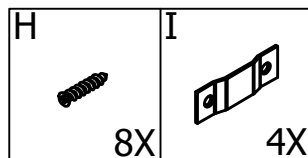
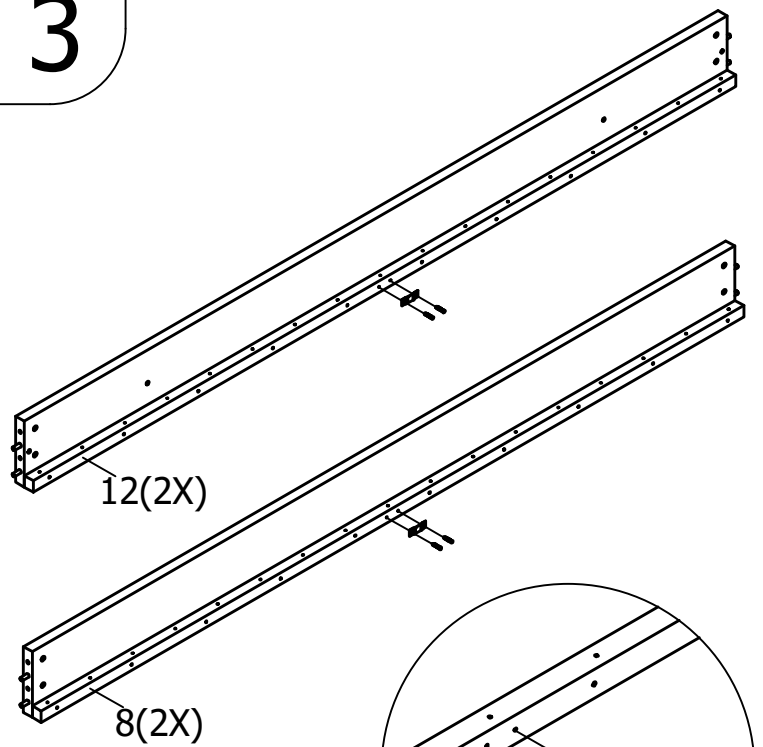
1



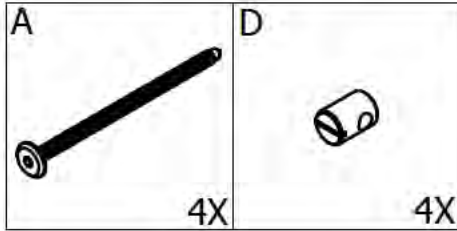
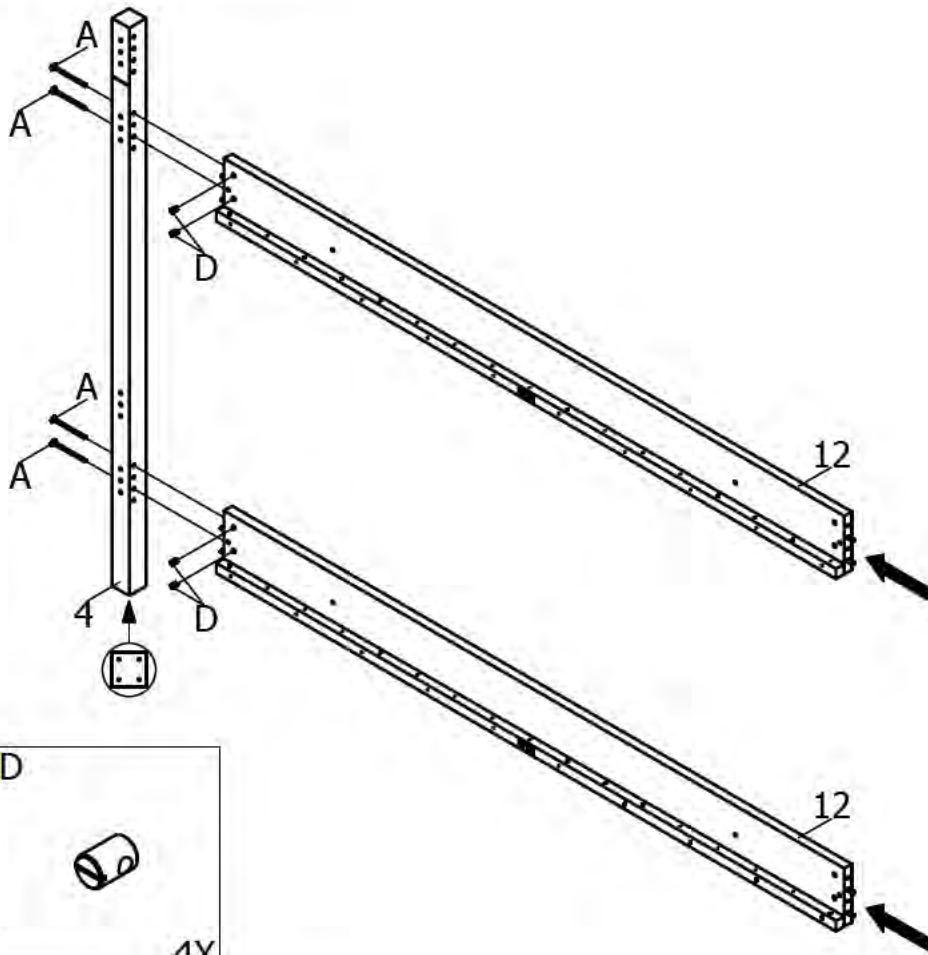
2



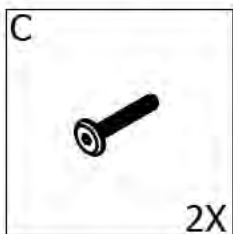
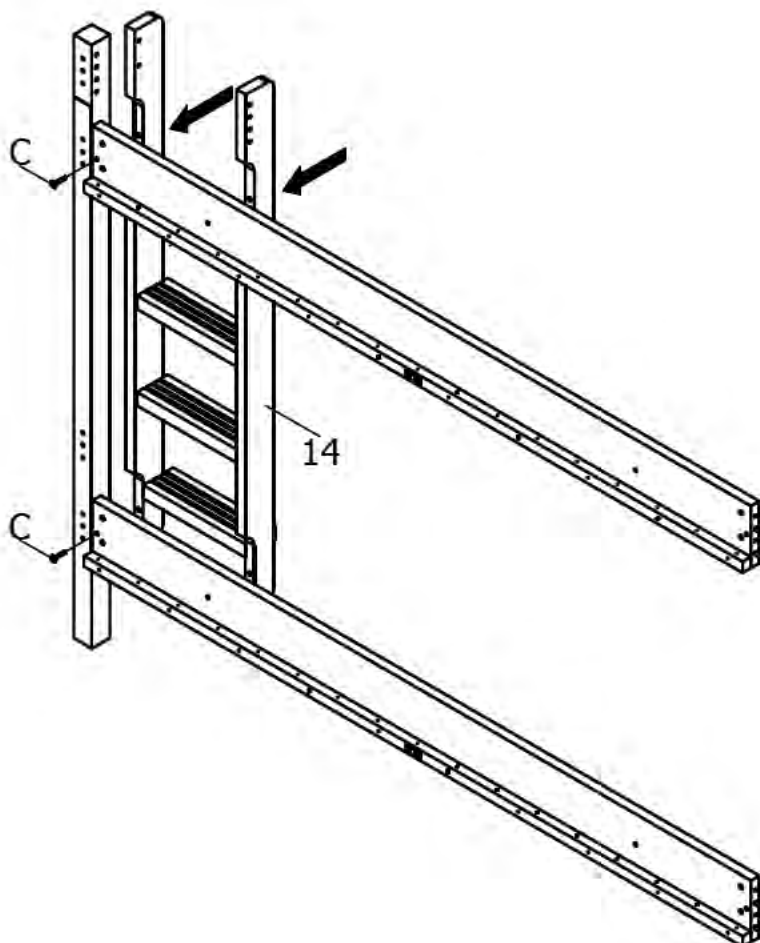
3



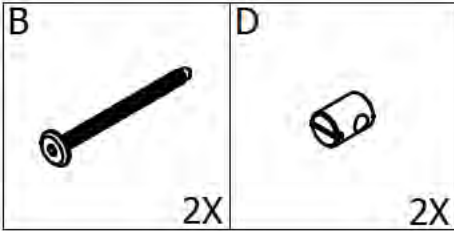
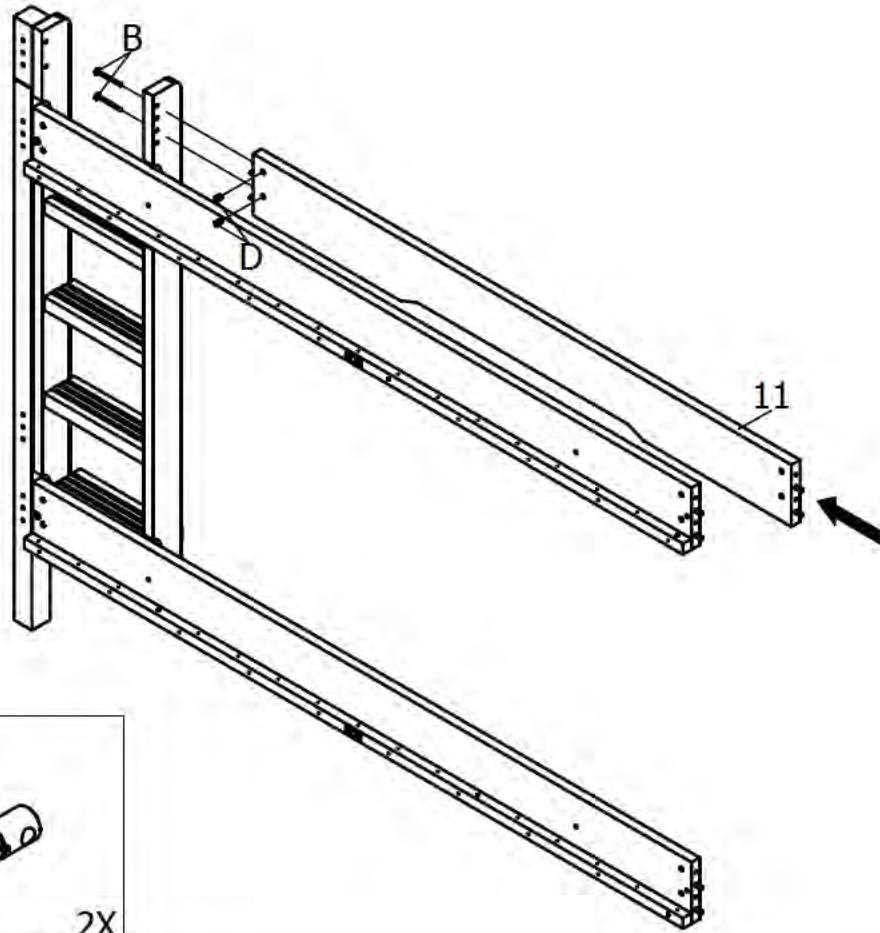
4



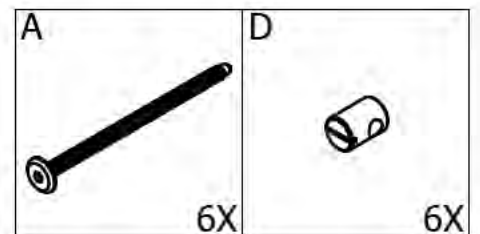
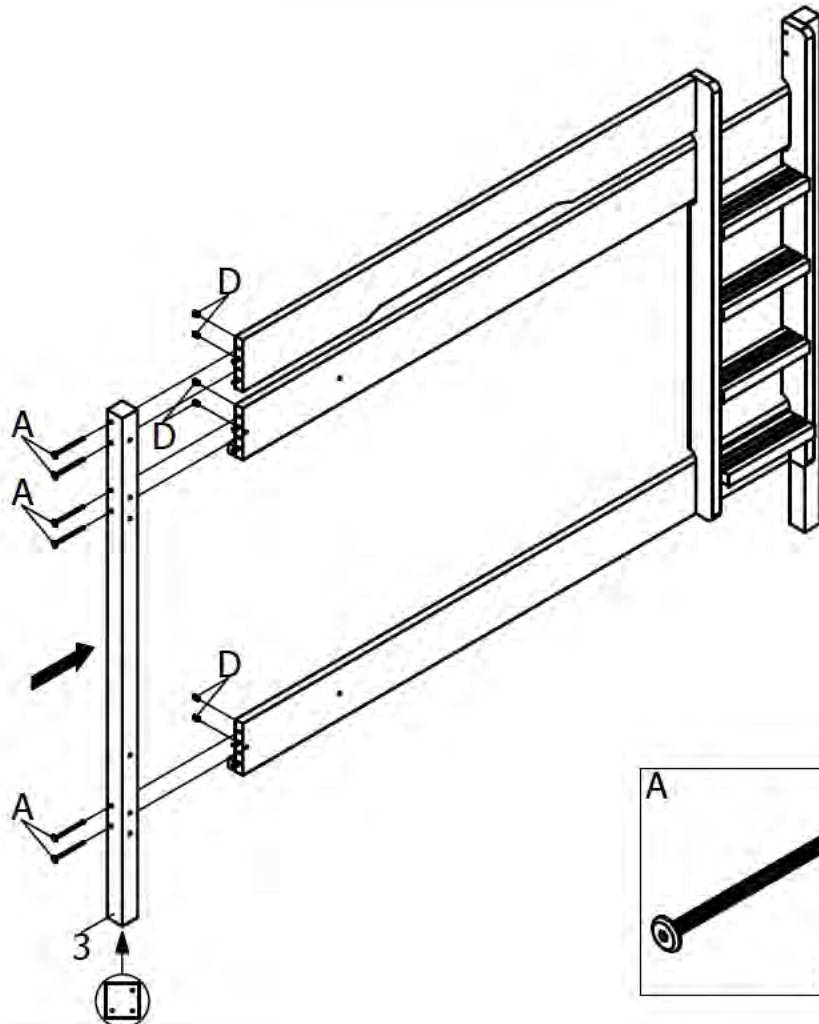
5



6

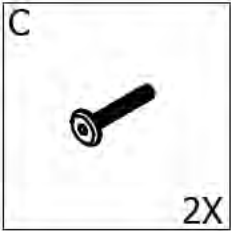
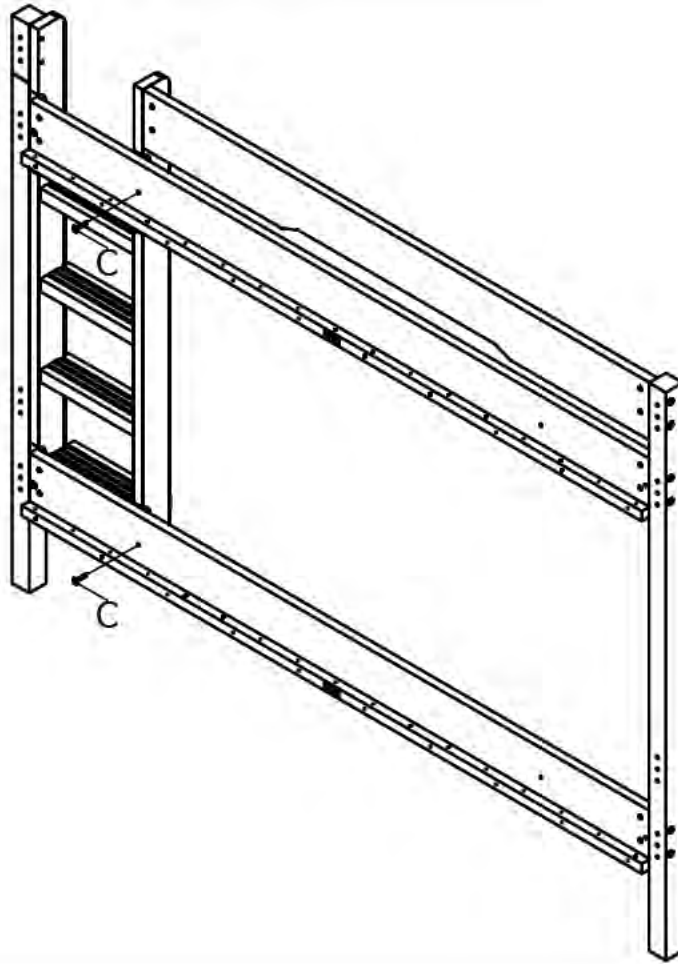


7

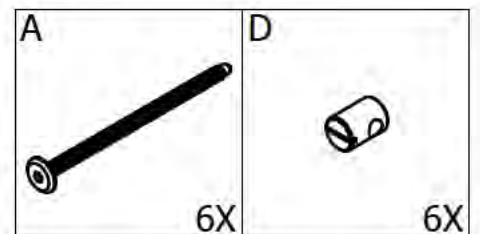
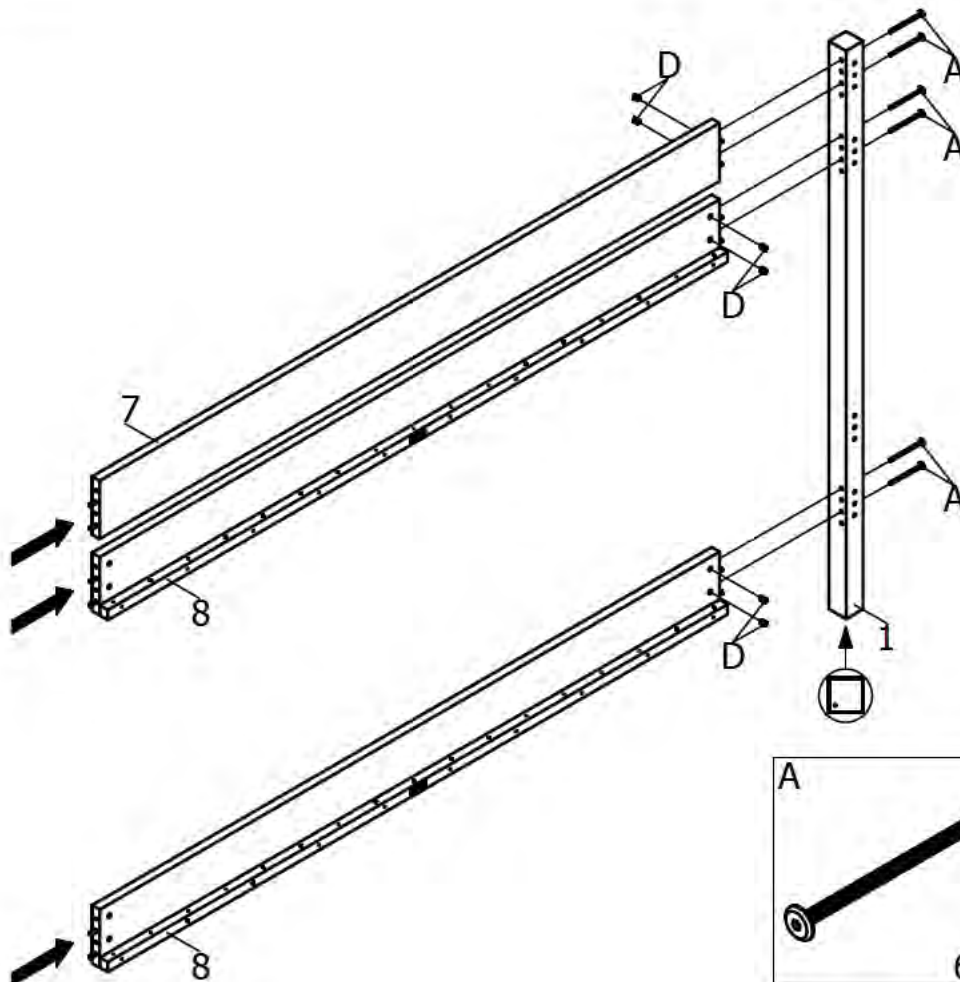




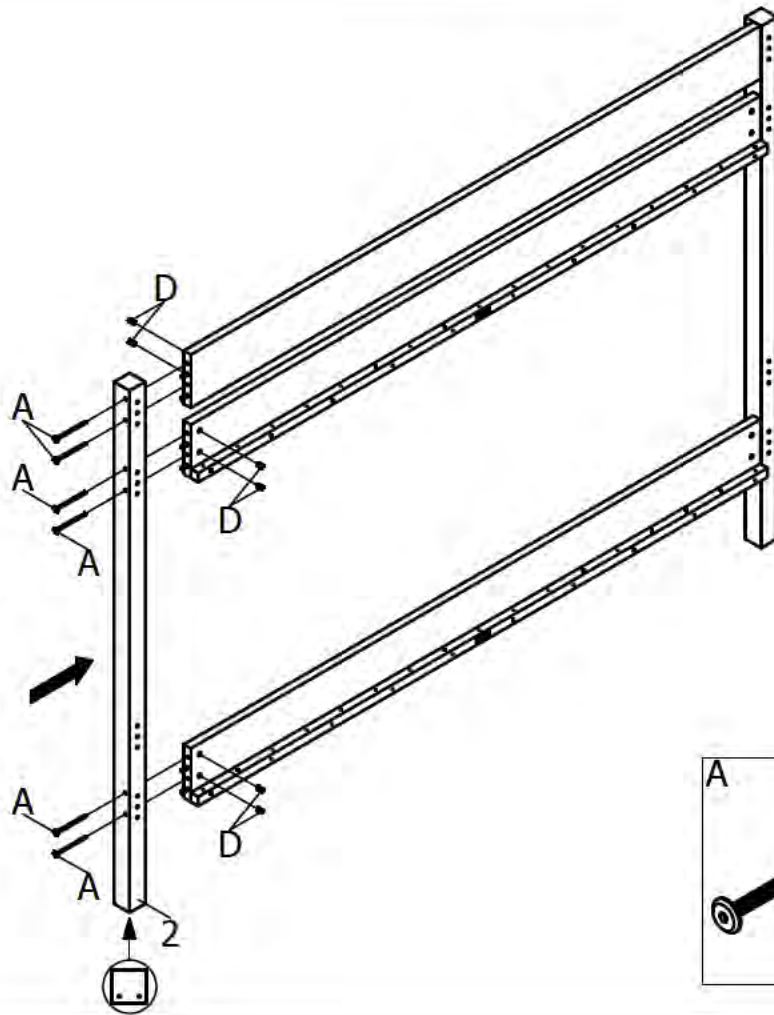
8



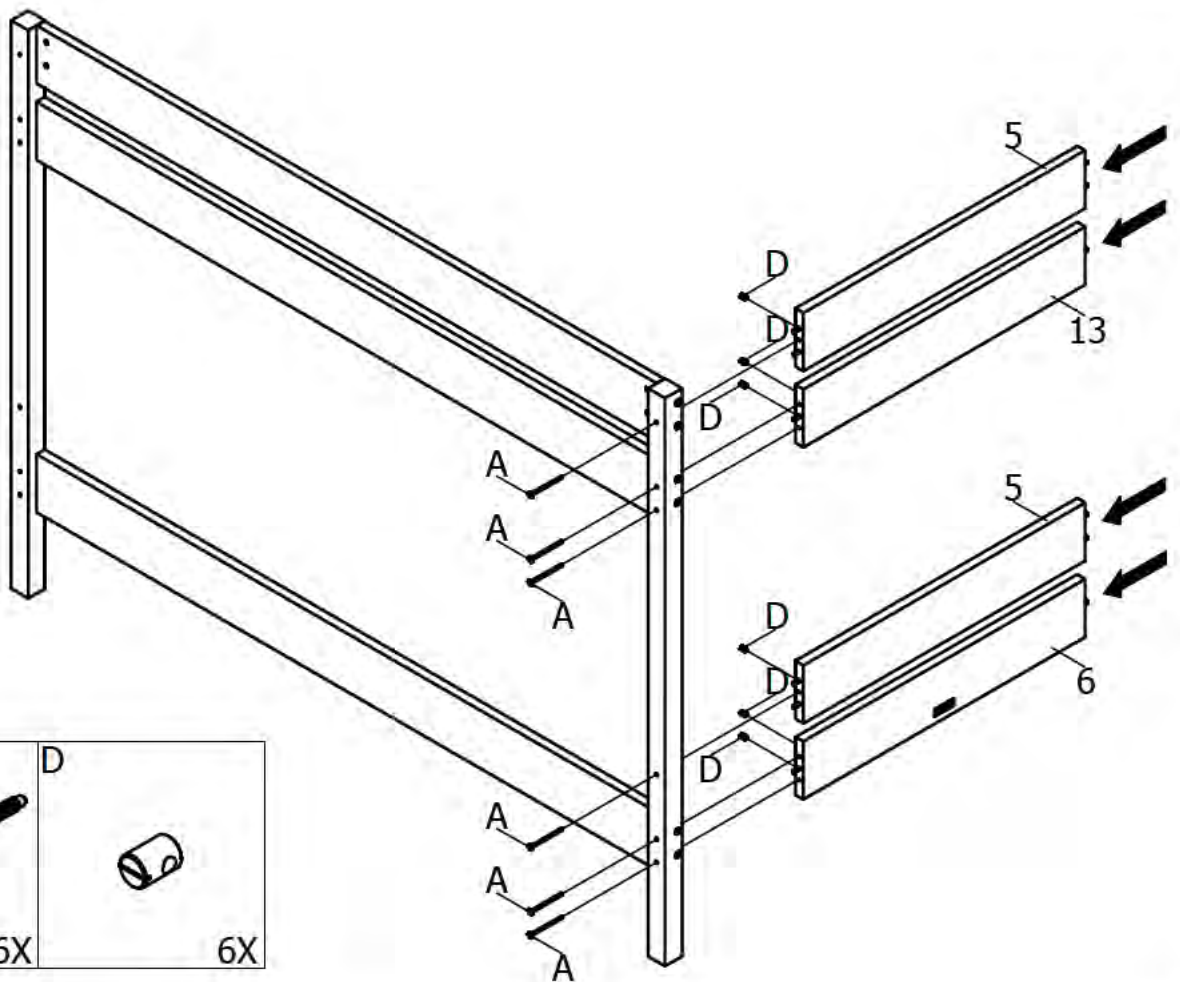
9



10

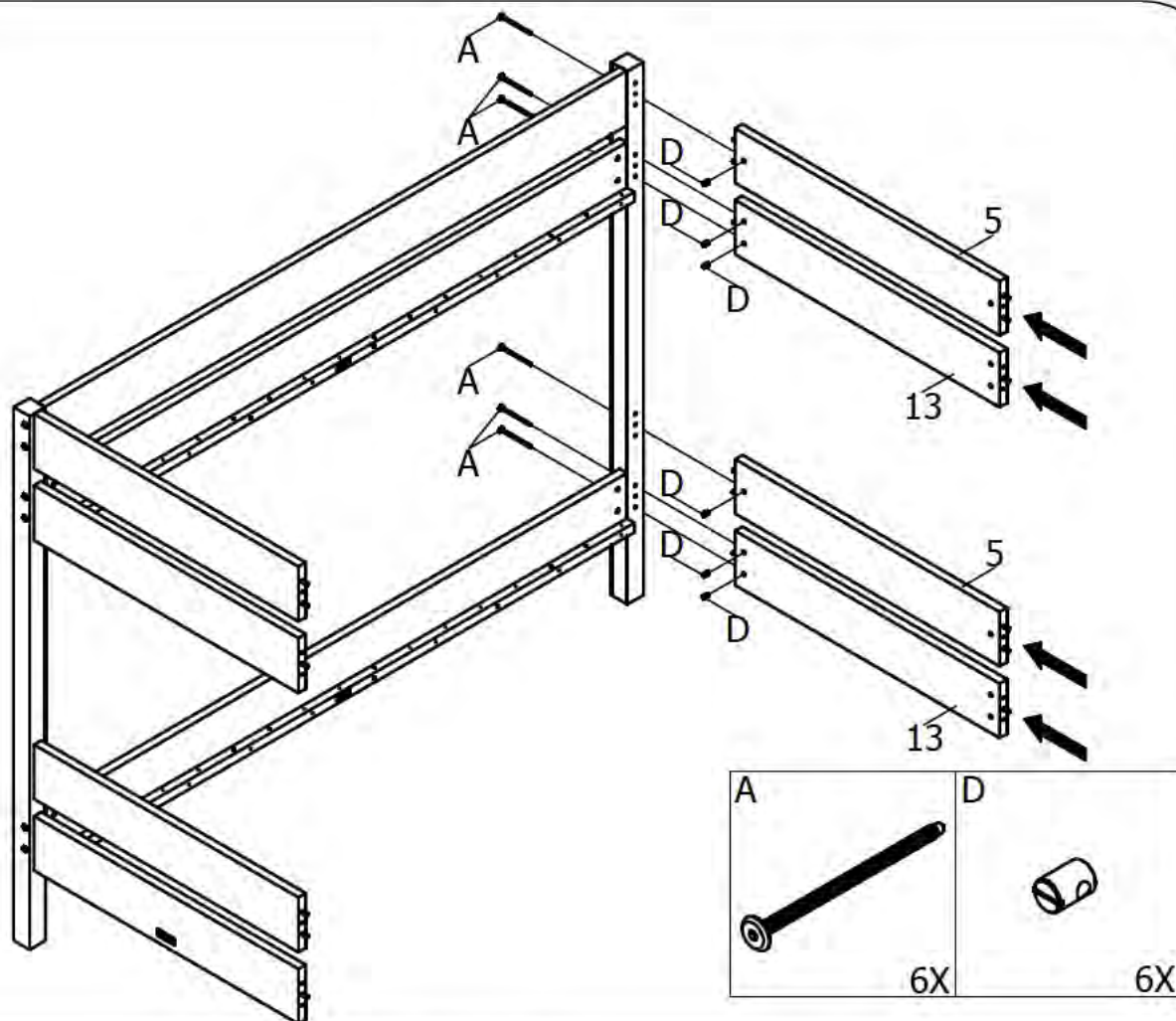


11

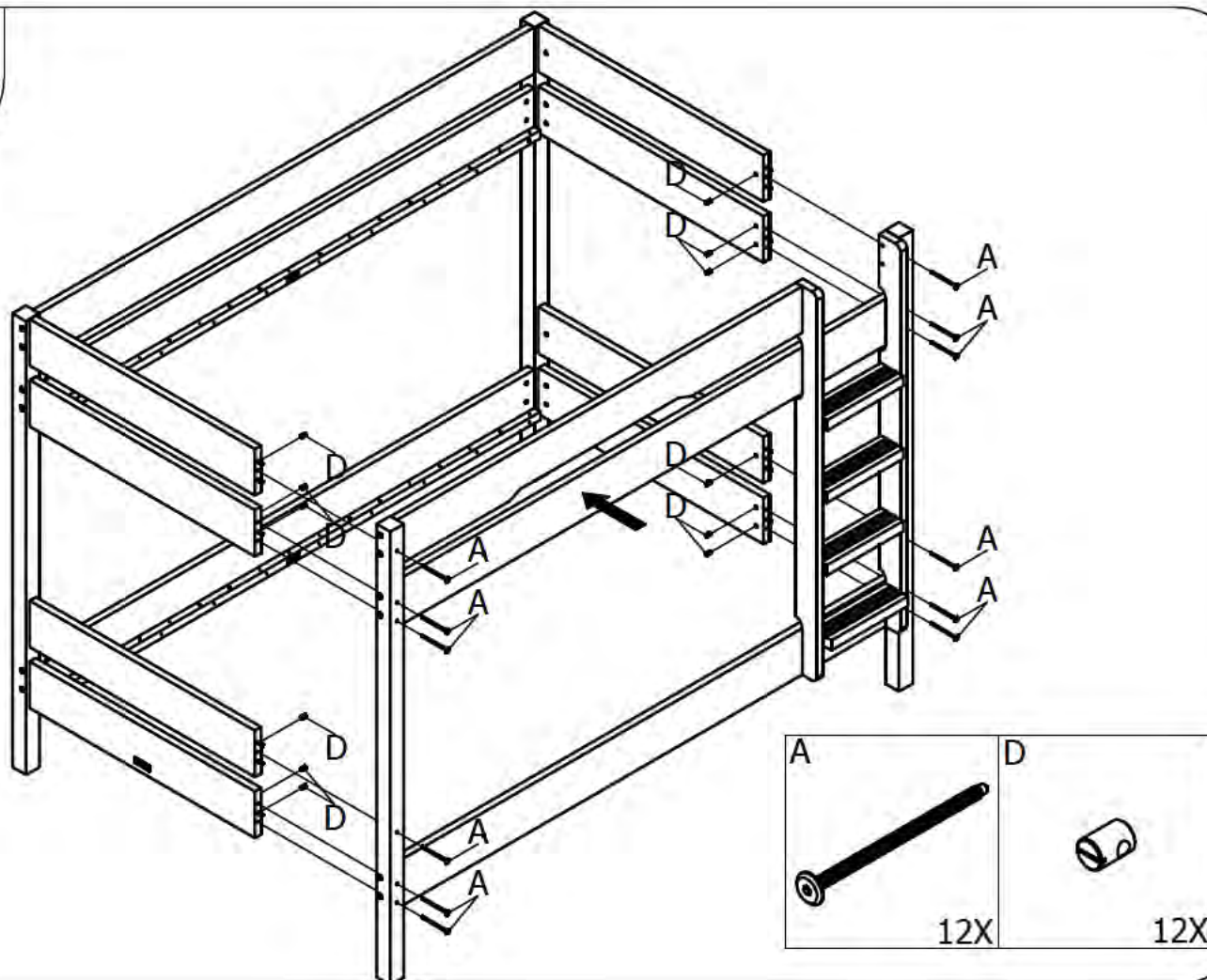




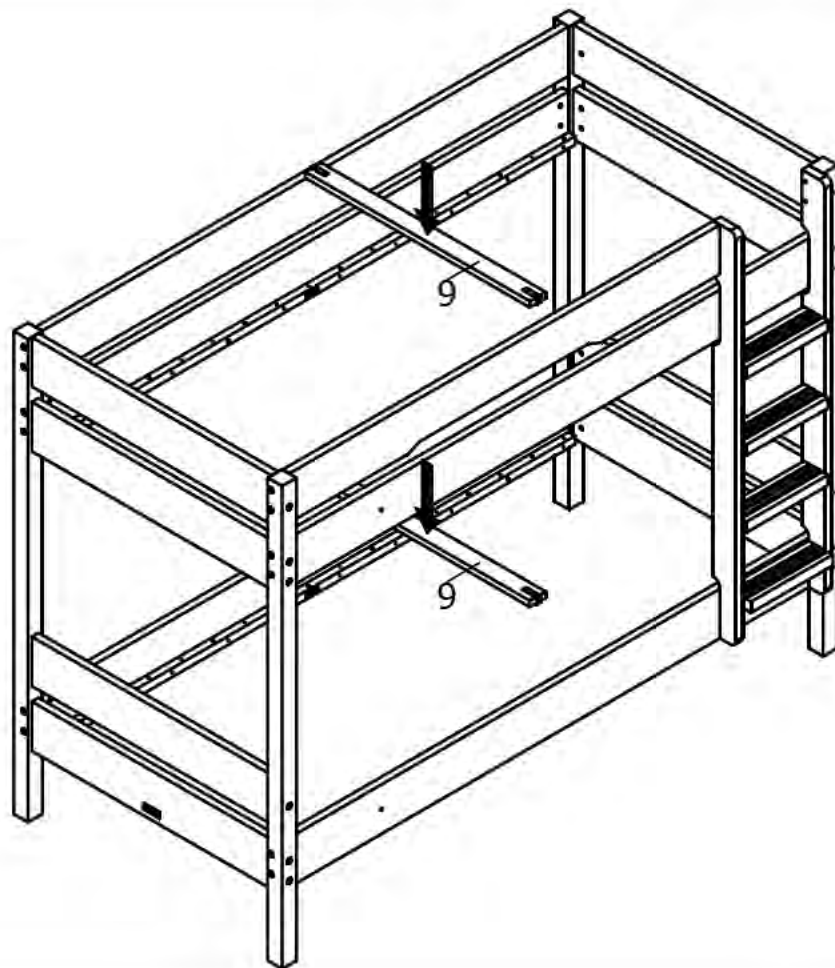
12



13



14



15

