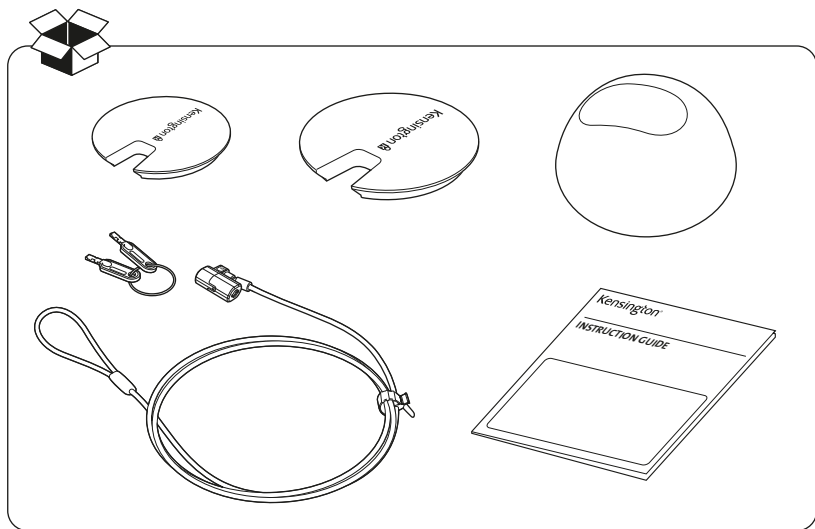


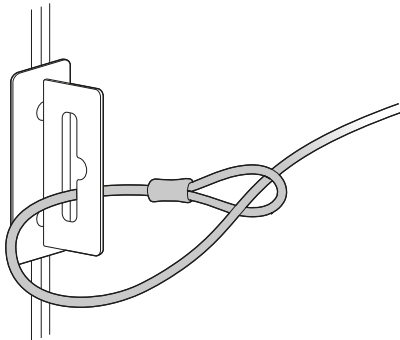
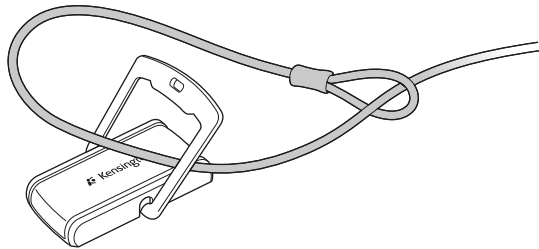
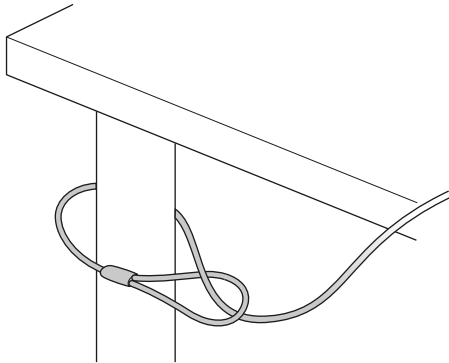
Kensington®

SafeDome™ for iMac® with ClickSafe® Keyed Ultra Lock

INSTRUCTION GUIDE
GUIDE D'INSTRUCTIONS
BEDIENUNGSANLEITUNG
HANDLEIDING
MANUALE DI ISTRUZIONI
MANUAL DE INSTRUCCIONES

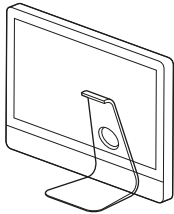
HASZNÁLATI ÚTMUTATÓ
PŘÍRUČKA S POKYNY
INSTRUKCJA OBSŁUGI
РУКОВОДСТВО ПОЛЬЗОВАТЕЛЯ
MANUAL DE INSTRUÇÕES



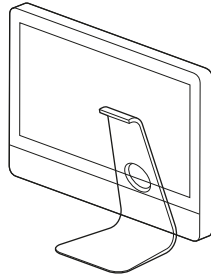


1

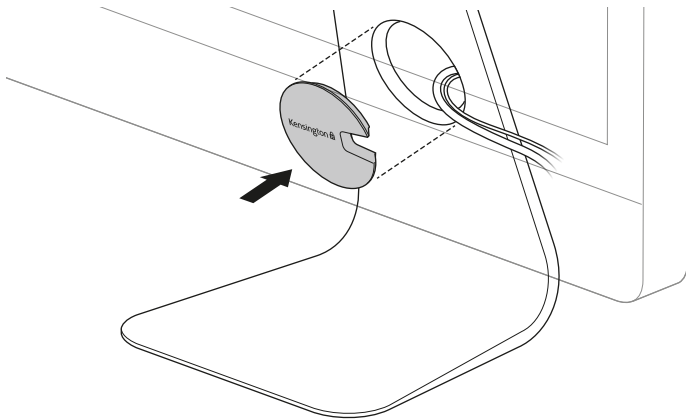
21.5 in



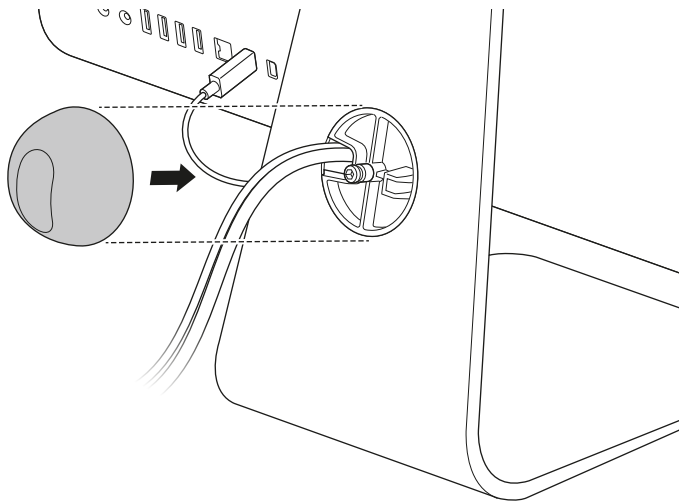
27 in



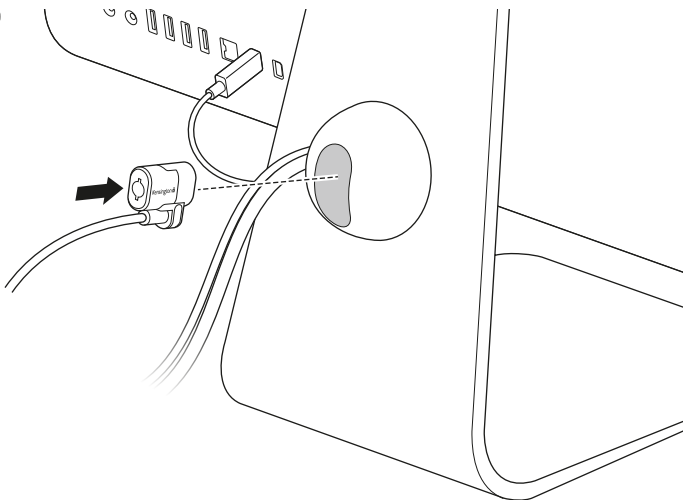
2

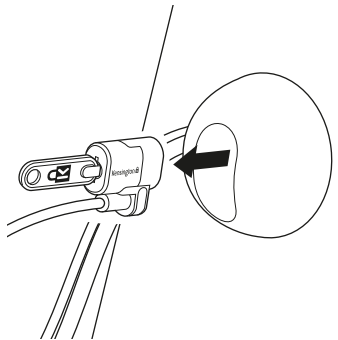
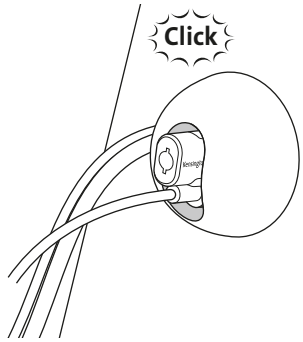
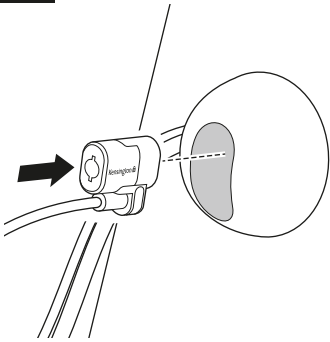


3



4





Kensington and the ACCO name and design are registered trademarks of ACCO Brands. The Kensington Promise is a service mark of ACCO Brands. SafeDome is a trademark of ACCO Brands. ClickSafe is a registered trademark of ACCO Brands. iMac is a trademark of Apple Inc., registered in the U.S. and other countries. All other registered and unregistered trademarks are the property of their respective owners patents pending.

©2012 Kensington Computer Products Group, a division of ACCO Brands. Any unauthorized copying, duplicating, or other reproduction of the contents hereof is prohibited without written consent from Kensington Computer Products Group. All rights reserved. 04/12



For technical support visit
Pour tout support technique
veuillez visiter
www.kensington.com

*The Kensington Promise*SM

Complete warranty terms are available at:
www.warranty.kensington.com

Kensington Computer Products Group
A Division of ACCO Brands
333 Twin Dolphin Drive, 6th Floor
Redwood Shores, CA 94065

ACCO Brands Europe
Oxford House
Oxford Road
Aylesbury
Bucks, HP21 8SZ
United Kingdom

ACCO Brands Canada
5 Precidio Court
Brampton
Ontario, L6S 6B7
Canada

ACCO Australia
Level 2, 8 Lord St
Botany NSW 2019
PO Box 311
Rosebery NSW 1445
Australia

www.kensington.com

901-2616-00

KL