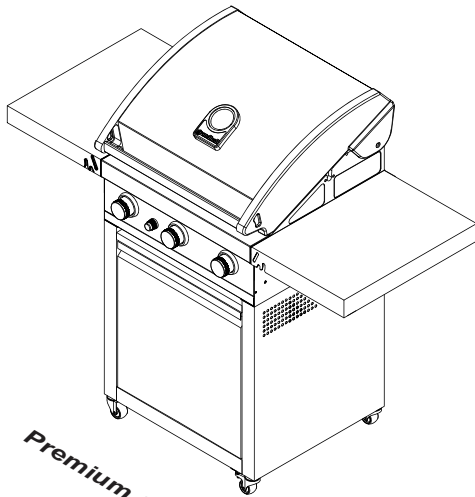


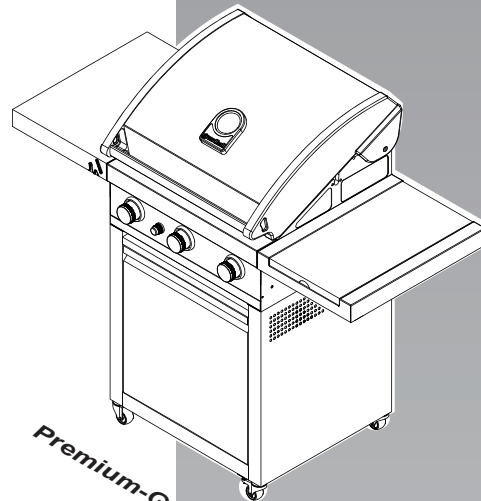
CE 1008

**grandhall**<sup>®</sup>  
australian style

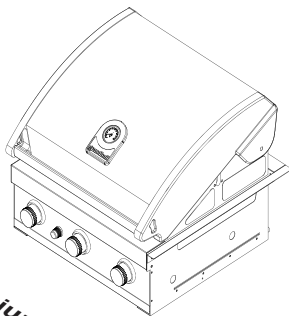
# gas barbecue



*Premium G3-FD*



*Premium-G3-SB*



*Premium G3BI*

- ⒾⒺ ⒸⒹ Assembly instructions
- ⒸⒽ ⒻⒼ Instructions d'assemblage
- ⒶⒹ ⒸⒽ ⒹⒺ Montageanweisungen
- ⒸⒽ ⒾⒹ Istruzioni per il montaggio
- ⒸⒺ ⒼⒹ Montage-instructies
- ⒸⒺ Montering
- ⒻⒿ Kokoamisohjeet
- Ⓔ⒮ Instrucciones de armado
- ⒻⒹ Instruções para Montagem
- ⒹⒼ Monteringsvejledning
- ⒼⒹ Montering
- ⒽⒹ Upute za montažu
- ⒸⒾ Navodila za montažo

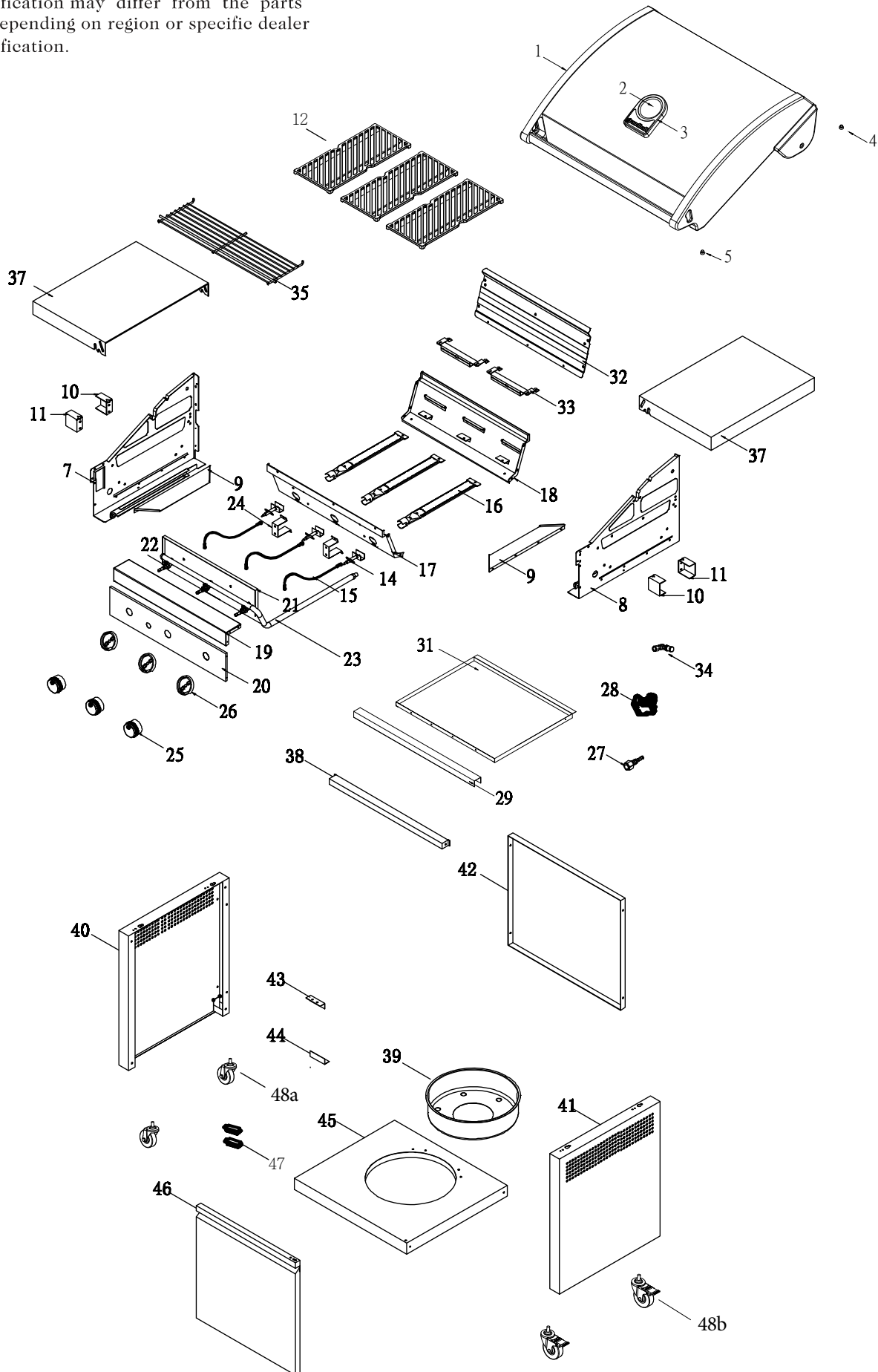
<b>PART LIST G3-FD</b>
------------------------

<i>Ref</i>	<i>Description</i>	<i>Part No.</i>	<i>Qty</i>	<i>Ref</i>	<i>Description</i>	<i>Part No.</i>	<i>Qty</i>
1	Lid Assembly	S0210-04	1	26	Knob Seat	S0174-12	3
2	Temperature Gauge	S0209-16	1	27	Universal Hose Bar -1/4 LH inlet	S0168-28	1
3	Name plate	S0146-227	1	28	Electric Ignitor	K0084-69	1
4	Lid Rubber Pad, Rear	S0146-158	2	29	Grease Tray Handle	S0146-42	1
5	Lid Rubber Pad, Rear	S0202-18	2	31	Grease Tray	S0206-18-CR06	1
7	Bowl Panel, Left	S0146-31C-SPP	1	32	Bowl Wind Shield	S0146-37A	1
8	Bowl Panel, Right	S0146-30-SPP	1	33	Crossfire box	S0148-204Z	2
9	Bowl Grease Shield	S0165-34-CR	2	34	Adaptor-1/4 LH inlet	S0146-197	1
10	Side Shelf Bracket,LF/RR	S0146-73-HR	2	35	Warming Rack	S0146-56C-S430	1
11	Side Shelf Bracket,RF/LR	S0146-74A-HR	2	37	Side Shelf	S0146-71-CR	2
12	Cooking Grid	S0146-157B	3	38	Cart Bracket, Front	S0146-06-CR	1
14	Gas Collector Box with Electrode	S0146-81	3	39	Gas cylinder housing	S0118-61A-CR	1
15	Electric Wire Set	S0146-59	1set	40	Trolley Panel, Left	S0146-02E	1
16	Main Burner	S0146-210-S304	3	41	Trolley Panel, Right	S0146-02D	1
17	Bowl Panel, Front	S0146-32C-SPP	1	42	Trolley Panel, Rear	S0146-04C-CR	1
18	Bowl Panel, Rear	S0146-33C-SPP	1	43	Door guide - upper	S0146-10B-CR	1
19	Upper control Panel	S0146-35-CR	1	44	Door guide - lower	S0146-10-CR	1
20	Control Panel	S0146-36B2-S430	1	45	Trolley Bottom Panel	S0146-01E-CR	1
21	Gas Valve Heat Shield	S0146-39-ZN	1	46	Door	S0146-07B-CR	1
22	Main Valve-without jet	S0209-08	3	47	Magnet seat	S0003-05E	2
23	Manifold	S0146-61-02	1	48a	2" caster(without Brake)	S0146-218	2
24	Gas Valve Heat Shield Bracket	S0146-40-ZN	2	48b	2" caster( with Brake)	S0146-217	2
25	Control knob - main burner	S0164-20	3		Hardware Pack	KHWP0032	1

**G3-FD Model**

This diagram is provided to assist you identify parts if replacement is necessary. Contact your place of purchase or the manufacturer to enuire about parts, availability and ou service.

Items included in your barbecue specification may differ from the parts list,depending on region or specific dealer specification.



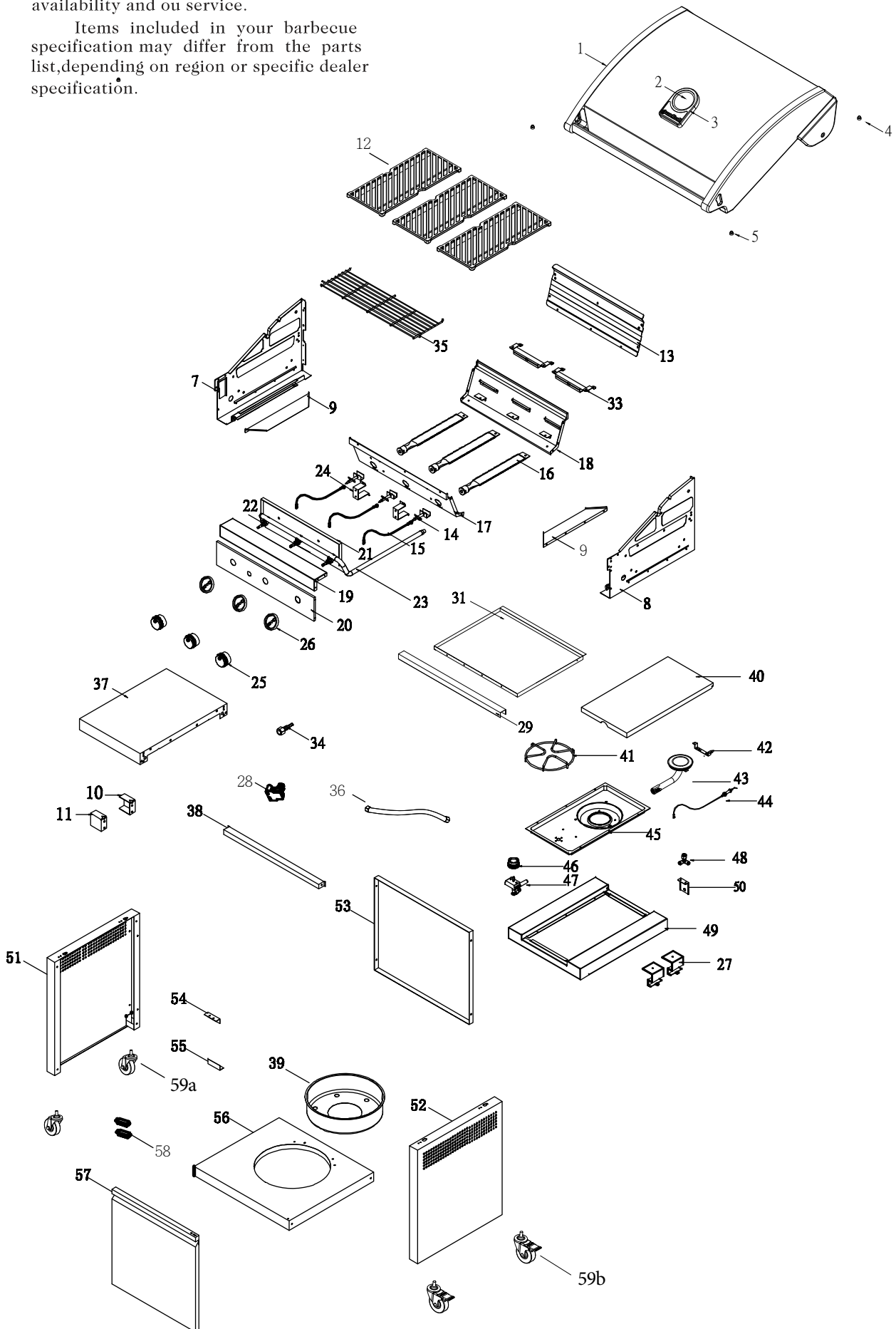
<b>PART LIST G3-SB</b>
------------------------

<i>Ref</i>	<i>Description</i>	<i>Part No.</i>	<i>Qty</i>	<i>Ref</i>	<i>Description</i>	<i>Part No.</i>	<i>Qty</i>
1	Lid Assembly	S0210-04	1	34	Adaptor-1/4 LH inlet	S0168-28	1
2	Temperature Gauge	S0209-16	1	35	Warming Rack	S0146-56C-S430	1
3	Name plate	S0146-227	1	36	Hose	S0146-226	1
4	Lid Rubber Pad, Rear	S0146-158	2	37	Side Shelf, Left	S0146-71-CR	1
5	Lid Rubber Pad, Rear	S0202-18	2	38	Cart Bracket, Front	S0146-06-CR	1
7	Bowl Panel, Left	S0146-31C-SPP	1	39	Gas cylinder housing	S0118-61A-CR	1
8	Bowl Panel, Right	S0146-30C-SPP	1	40	Side Shelf Lid	S0149-21-CR	1
9	Bowl Grease Shield	S0146-34-CR	2	41	Side Shelf Pot Support	S0003-48	1
10	Side Shelf Bracket,Rear	S0146-73-HR	1	42	Side Burner Mounting Brakcet	S0167-60	1
11	Side Shelf Bracket,Front	S0146-74A-HR	1	43	Side Burner	S0210-03	1
12	Cooking Grid	S0146-157B	3	44	Electrode- Side Burner	S0205-42	1
13	Bowl Wind Shield	S0146-37A	1	45	Side Shelf Body	S0149-22-SPP	1
14	Gas Collector Box with Electrode	S0146-81	3	46	Control Knob - side burner	S0150-18	1
15	Electric Wire Set	S0146-59	1set	47	Valve- Side Burner	S0210-02	1
16	Main Burner	S0146-210-S304	3	48	Adaptor-1/4 LH inlet	S0165-09	1
17	Bowl Panel, Front	S0146-32C-SPP	1	49	Side Shelf Trim Plate	S0200-02-CR	1
18	Bowl Panel, Rear	S0146-33C-SPP	1	50	Burner Bracket-Side Burner	S0149-46-CR	1
19	Upper control Panel	S0146-35-CR	1	51	Trolley Panel, Left	S0146-02E	1
20	Control Panel	S0146-36B2-S430	1	52	Trolley Panel, Right	S0146-02G	1
21	Gas Valve Heat Shield	S0146-39Z	1	53	Trolley Panel, Rear	S0146-04C	1
22	Main Valve-without jet	S0209-08	3	54	Door guide - upper	S0146-10B-CR	1
23	Manifold	S0146-61-02	1	55	Door guide - lower	S0146-10-CR	1
24	Gas Valve Heat Shield Bracket	S0146-40-ZN	2	56	Trolley Bottom Panel	S0146-01E-CR	1
25	Control knob - main burner	S0164-20	3	57	Door	S0146-07B-CR	1
26	Knob Seat	S0174-12	3	58	Magnet seat	S0003-05E	2
27	Side burner hose bracket	S0146-207	2	59 a	2" caster <b>(without Brake)</b>	S0146-218	2
28	Electric Ignitor	K0084-69	1	59 b	2" caster <b>( with Brake)</b>	S0146-217	2
29	Grease Tray Handle	S0146-42	1		Hardware Pack	KHWP0031	1
31	Grease Tray	S0206-18-CR	1				
33	Crossfire box	S0146-203	2				

### G3-SB Model

This diagram is provided to assist you identify parts if replacement is necessary. Contact your place of purchase or the manufacturer to enquire about parts, availability and our service.

Items included in your barbecue specification may differ from the parts list, depending on region or specific dealer specification.



**PART LIST G3BI**

<i>Ref</i>	<i>Description</i>	<i>Part No.</i>	<i>Qty</i>
1	Lid Assembly	S0210-04	1
2	Temperature Gauge	S0209-16	1
3	Name plate	S0146-227	1
4	Lid Rubber Pad, Rear	S0146-158	2
5	Lid Rubber Pad, Rear	S0202-18	2
7	Bowl Panel, Left	S0146-31C-SPP12	1
8	Bowl Panel, Right	S0146-30C-SPP12	1
9	Bowl Grease Shield	S0165-34-CR06	2
10	Flame Tamer	S0146-50	2
12	Cooking Grid	S0146-57C	2
13	Bowl Wind Shield	S0146-37-SPP07	1
14	Gas Collector Box with Electrode	S0146-81	3
15	Electric Wire Set	S0146-59	1Set
16	Main Burner	S0146-210-S30410	3
17	Bowl Panel, Front	S0146-32C-SPP06	1
18	Bowl Panel, Rear	S0146-33C-SPP06	1
19	Upper control Panel-30mbar	S0146-35-S43006	1
20	Control Panel	S0146-36B2-CR07	1
21	Gas Valve Heat Shield	S0146-39-ZN10	1
22	Main Valve-without jet	S0209-08	3
23	Manifold	S0146-61-02	1
24	Gas Valve Heat Shield Bracket	S0146-40-ZN12	2
25	Control knob - main burner	S0164-20	3
26	Knob Seat	S0174-12	3
27	Adaptor-1/4 LH inlet	S0146-197	1
28	Electric Ignitor	K0084-69	1
29	Grease Tray Handle	S0146-42	1
31	Grease Tray	S0206-18-CR06	1
32	Hotplate	S0146-183	1
33	Crossfire box	S0146-542	2
34	Universal Hose Bar -1/4 LH inlet	S0118-78	1
35	Warming Rack	S0146-56C-SS430	1
36	Bowl support bracket- Left	S0165-02	1
37	Bowl support bracket- Right	P0146-102B	1
38	Bowl support bracket- Rear	P0146-102A	1
	Hardware Pack	P06027003A	1

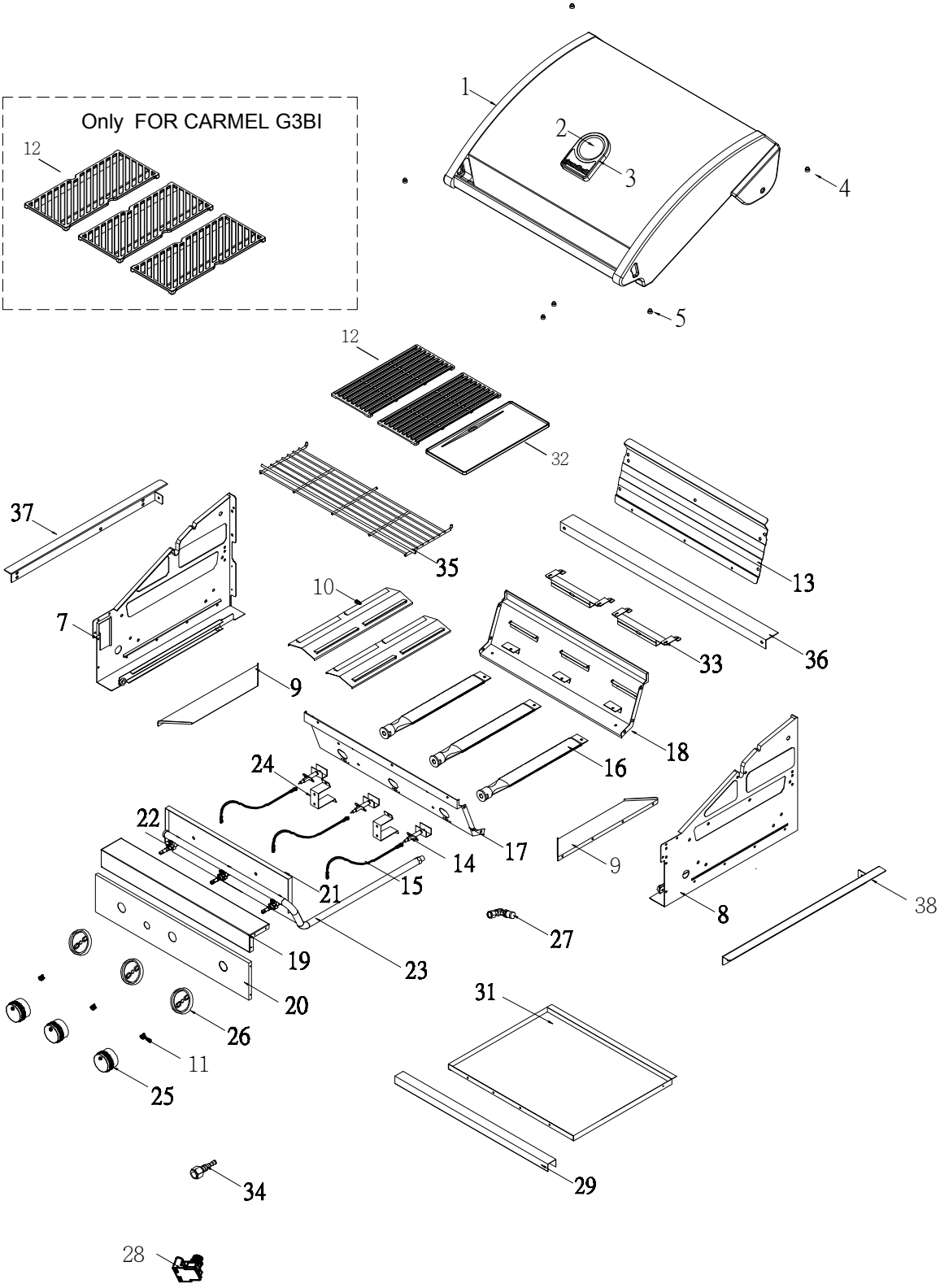
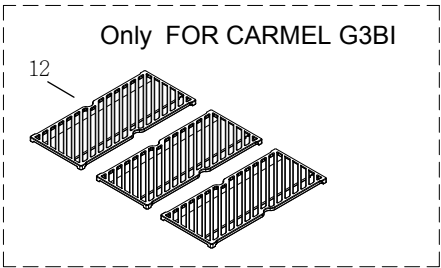
**PART LIST FOR CARMEL G3BI**

12	Cooking Grid	S0146-57B	3
34	Universal Hose Bar -1/4 LH inlet	S0168-28	1

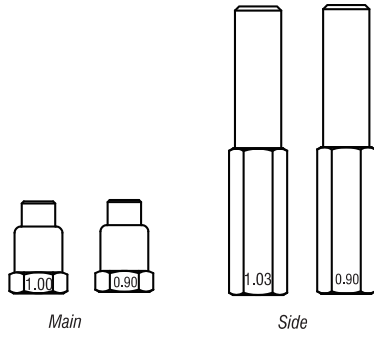
G3BI Model

This diagram is provided to assist you identify parts if replacement is necessary. Contact your place of purchase or the manufacturer to enquire about parts, availability and ou service.

Items included in your barbecue specification may differ from the parts list, depending on region or specific dealer specification.



## INJECTOR

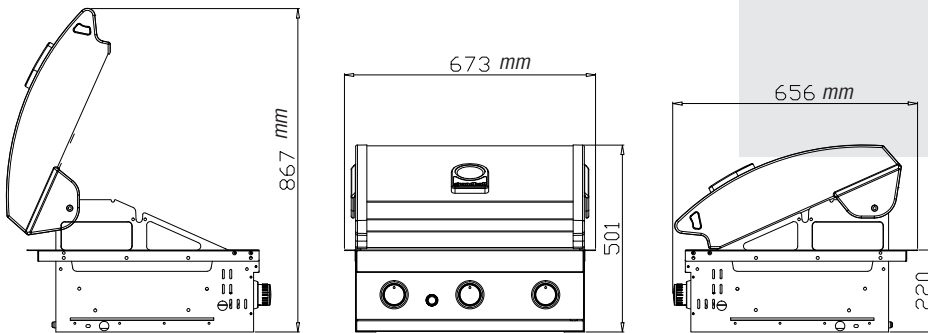


•Main	1.00 mm	- I 3+ (28-30/37)
	0.90 mm	- I 3B/P (30)
•Side	1.03 mm	- I 3+ (28-30/37)
	0.90 mm	- I 3B/P (30)
		- I 3B/P (50)

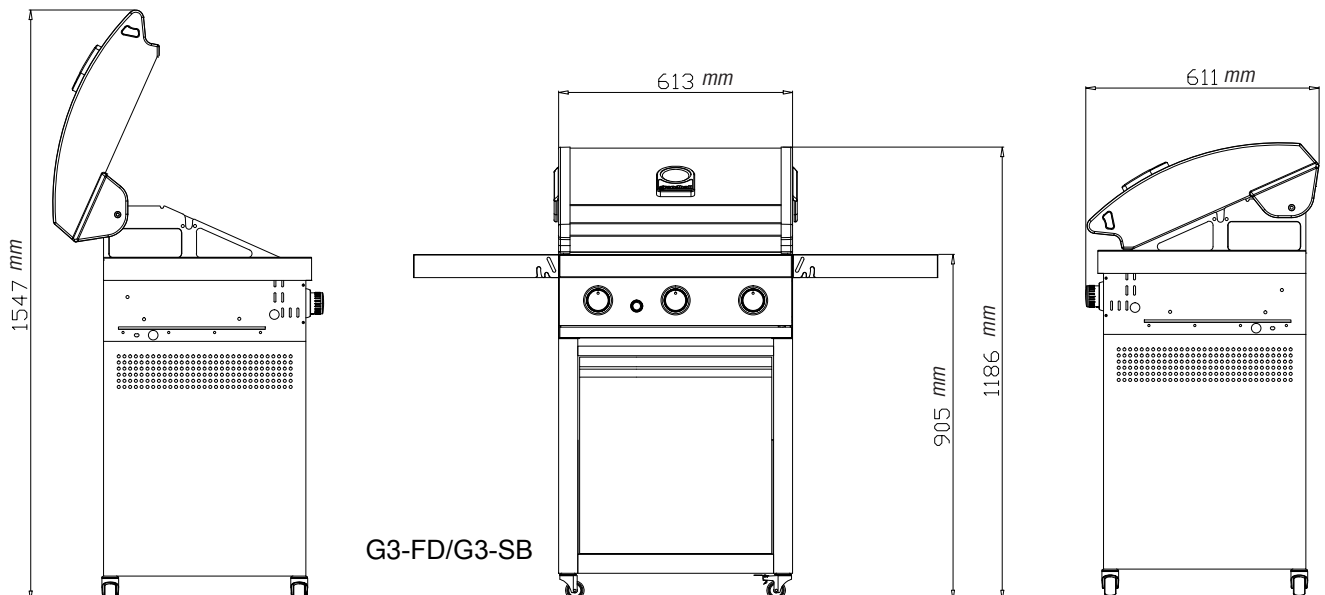
## INPUT

•Main	3 burner	13 kW	- 937 grams / h
•Side		4.4 kW	- 319 grams / h

## DIMENSIONS



G3BI

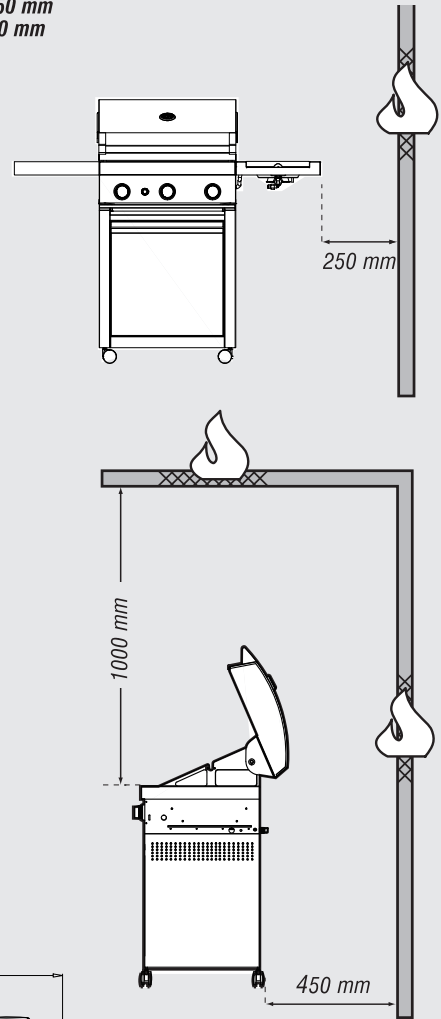


G3-FD/G3-SB



## WARNINGS INFORMATION

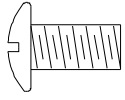
- **MINIMUM CLEARANCES FROM COMBUSTIBLE MATERIALS MUST BE:**  
**REAR - 450 mm**  
**SIDES - 250 mm**  
**TOP - 1000 mm**



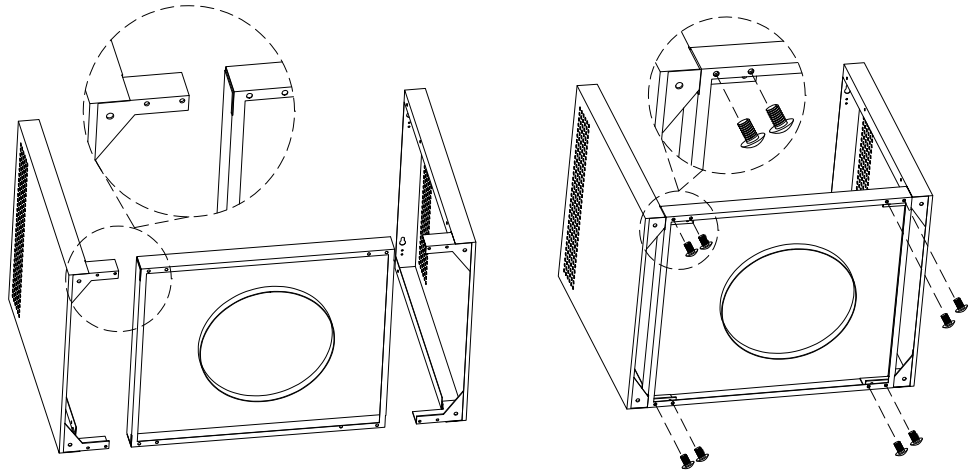


**ASSEMBLY - GT3-FD/G3-SB Model**

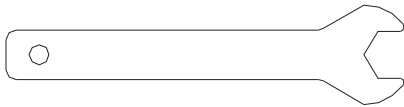
**1. Install Trolley Side Panels onto Trolley Bottom Shelf**



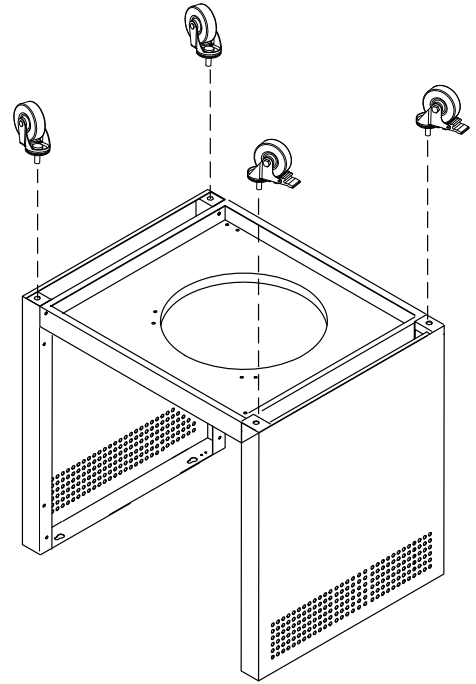
Phillips Head Screw 1/4"x1/2"  
Qty.8



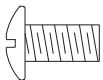
**2. Install Casters**



Spanner  
Qty.1



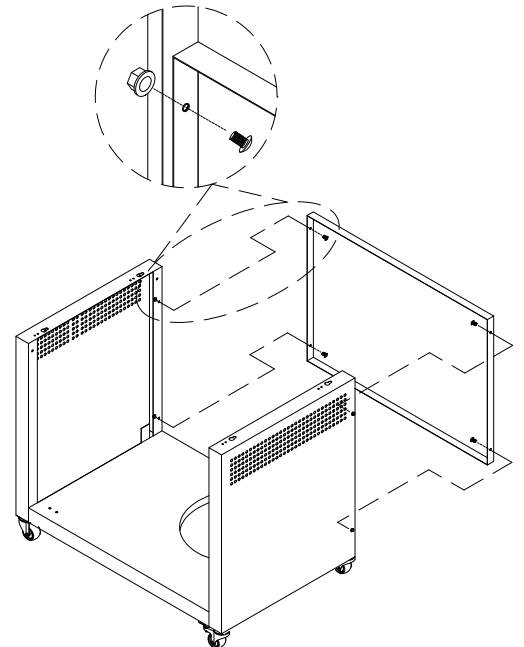
**3. Install Trolley Rear Panel**



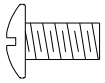
Phillips Head Screw 3/16"x 3/8"  
Qty. 4



Flange Nut 3/16"  
Qty.4



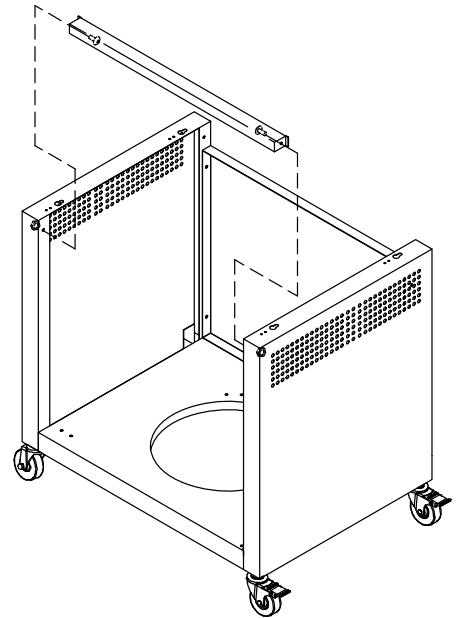
4. Install Door Bracket



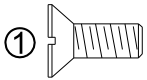
Phillips Head Screw 3/16"x 3/8"  
Qty.2



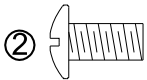
Flange Nut 3/16"  
Qty.2



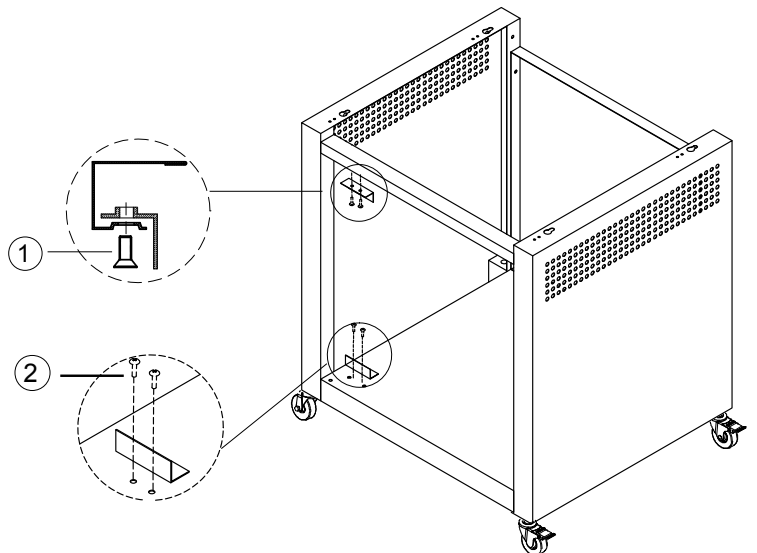
5. Install Door Stop Plate



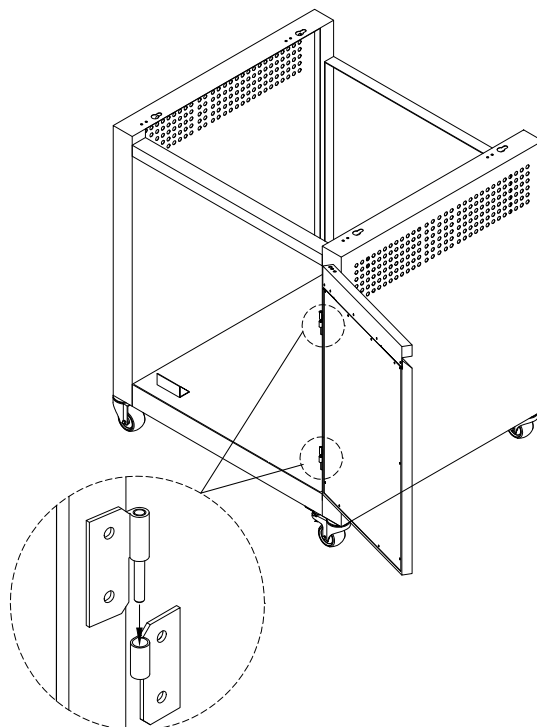
Countersunk Flat Head Screw 3/16"x3/8"  
Qty.2



Phillips Head Screw 3/16"x 3/8"  
Qty.2

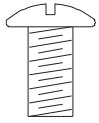


6. Install Doors

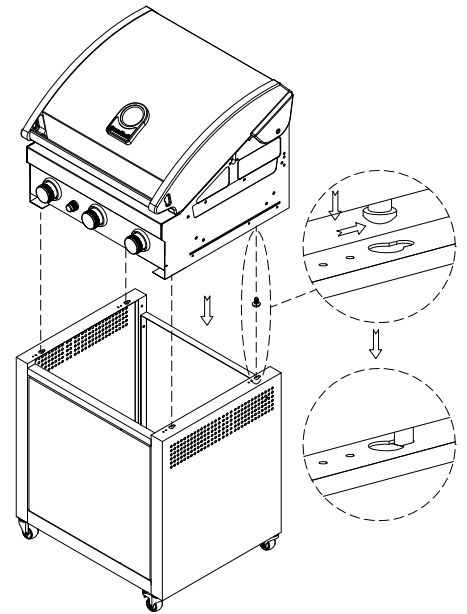


### 7. Install The Barbecue head to the trolley

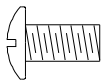
- Note: Installation requires two persons Remove all components from the barbecue head.
- Partially install the screws to the underside of the barbecue
- Locate the screw head into the keyholes on the top face of the trolley side panels, slide back to lock into position, tighten screws.



Phillips Head Screw 1/4"x1/2"  
Qty.4

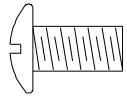


### 8 Install Side Shelf Brackets



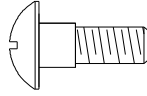
1

Phillips Head  
Screw 3/16"x1/2"  
Qty. 2



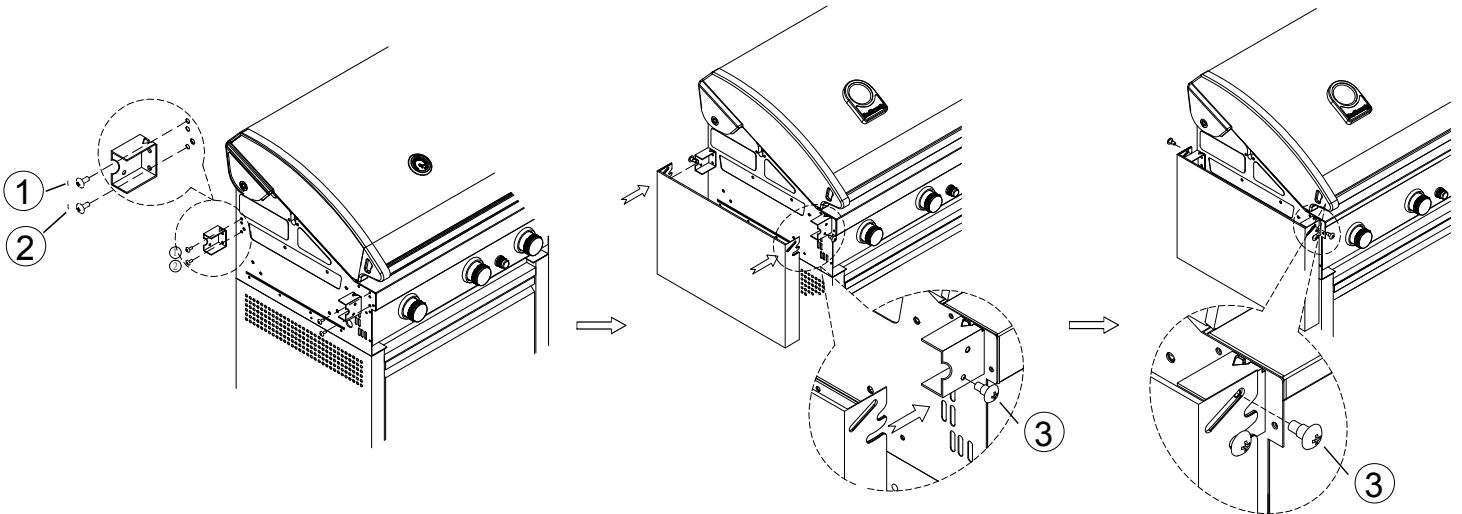
2

Phillips Head  
Screw 1/4"x1/2"  
Qty. 2



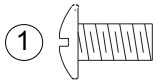
3

Bolt 1/4"x23/32"  
Qty. 4



### 9 Install Side Burner.

- Firstly install 4 phillips head screw 3/16"x1/2" to grill head as shown and tighten only half way, then install side shelves as shown below.



1

Phillips Head Screw  
3/16"x1/2"  
Qty. 2



2

Phillips Head Screw  
1/4"x1/2"  
Qty. 2

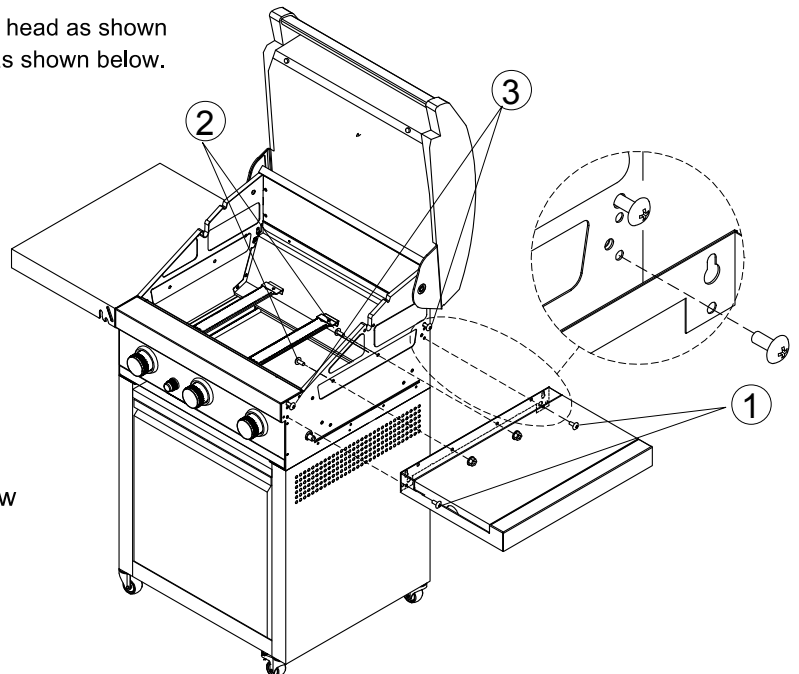


Flange Nut 1/4"  
Qty.4



3

Countersunk Flat Head Screw  
1/4"x1/2"  
Qty. 2

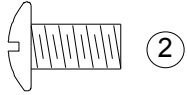


NOTE:TIGHTEN ALL SCREWS.

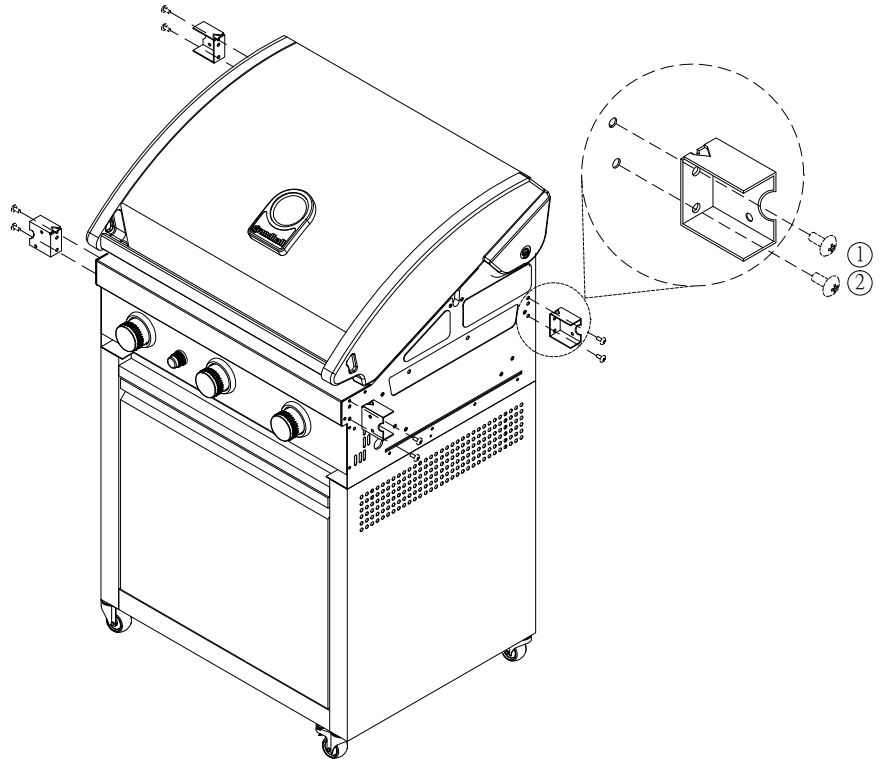
**9a Install Side Shelf Brackets - G3-FD**



Phillips Head  
Screw 3/16"x3/8"  
Qty. 4

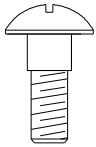


Phillips Head Screw  
1/4"x1/2"  
Qty. 4

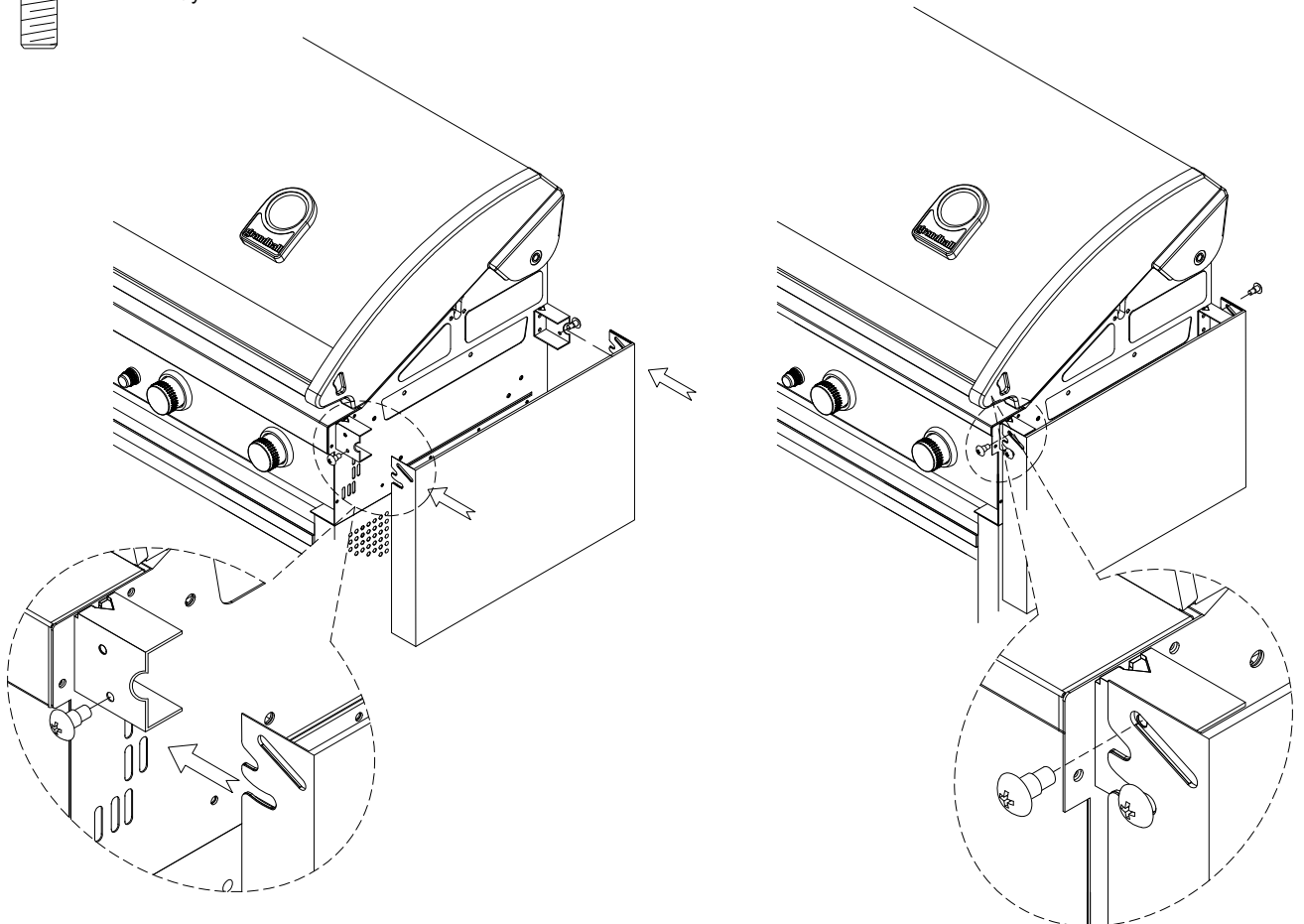


**9b Install Side Shelves - G3-FD**

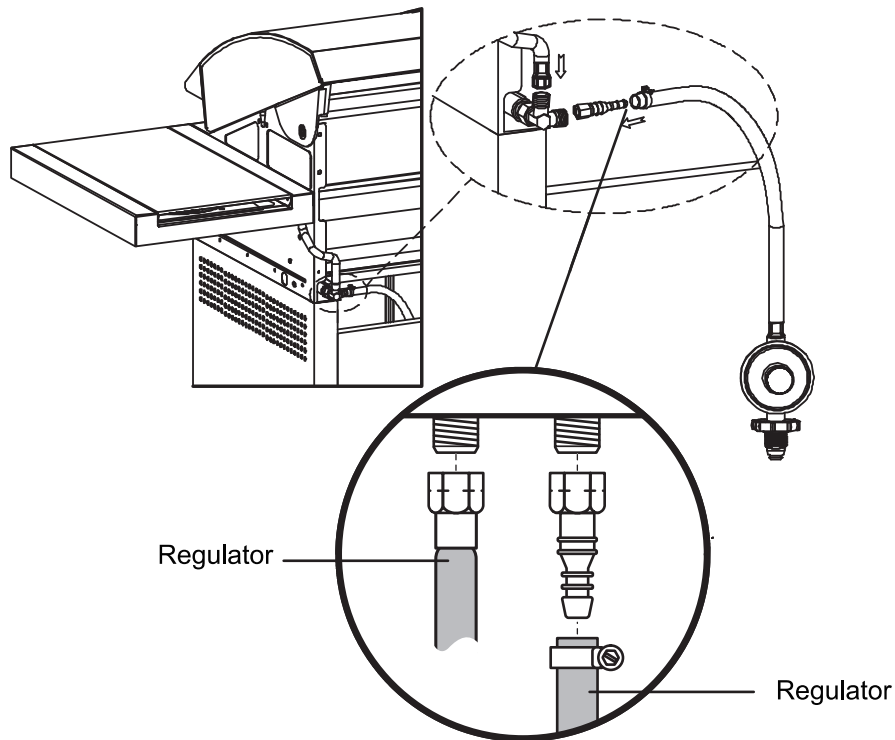
Repeat steps for Left Side Shelf.



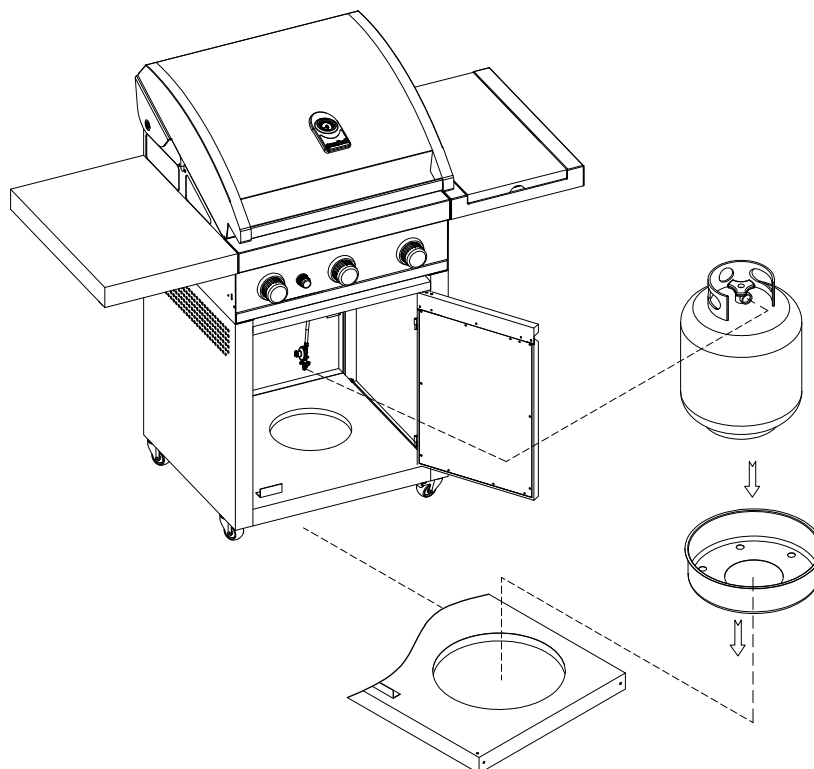
Bolt 1/4"x23/32"  
Qty. 8



10. Connect Side Burner Hose and install Regulator -G3-SB



11. Install Gas cylinder seat and Gas Cylinder



**WARNINGS INFORMATION**

**(GB)** DO NOT OBSTRUCT THE VENTILATION OPENINGS IN THE TROLLEY.

**(FR)** NE PAS BOUCHER LES OUVERTURES DE VENTILATION DANS LE CHARIOT.

**(DE)** NICHT DIE VENTILATIONSÖFFNUNGEN IM WAGEN BLOCKIEREN.

**(IT)** NON OSTRIURE LE APERTURE DI VENTILAZIONE DEL CARRELLO.

**(SI)** NE OVIRAJTE PREZRAČEVALNE ODPRTINE V VOZICKU.

**(NL)** DE VENTILATIEOPENINGEN IN DE TROLLEY NIET BLOKKEREN.

**(SE)** BLOCKERA EJ VENTILATIONSHÅLEN I GRILLBAREN.

**(FI)** KÄRRYN TUULETUSAUUKKOJA EI SAA PEITTÄÄ.

**(ES)** NO OBSTRUYA LAS ABERTURAS DE VENTILACION DEL CARRITO.

**(PT)** NÃO OBSTRUA AS ABERTURAS DE VENTILAÇÃO NO TROLEI.

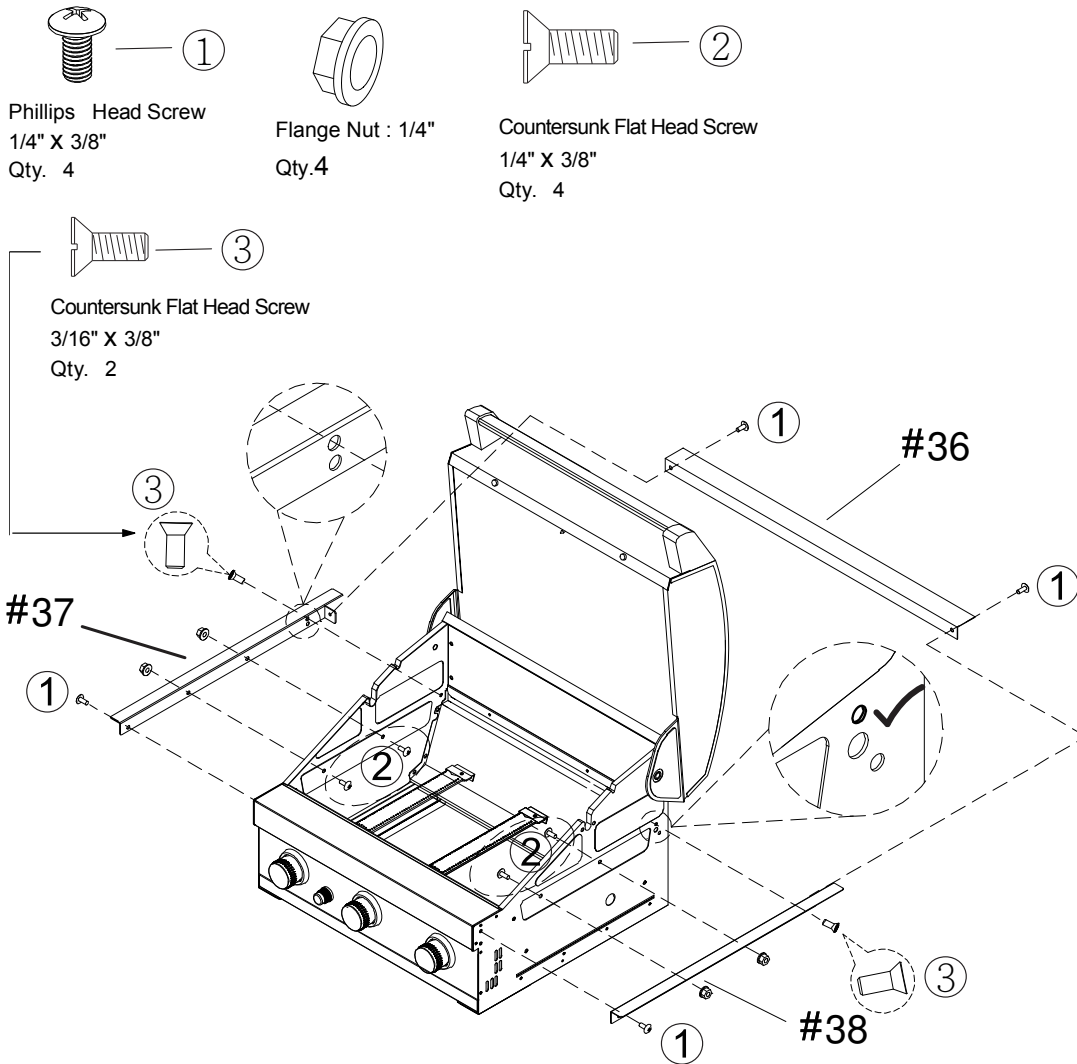
**(DK)** VENTILATIONSÅBNINGEN I TROLLEYEN MÅ IKKE SPÆRRES.

**(NO)** VENTILASJONSÅPNINGENE PÅ TRALLEN MÅ IKKE TILDEKKES.

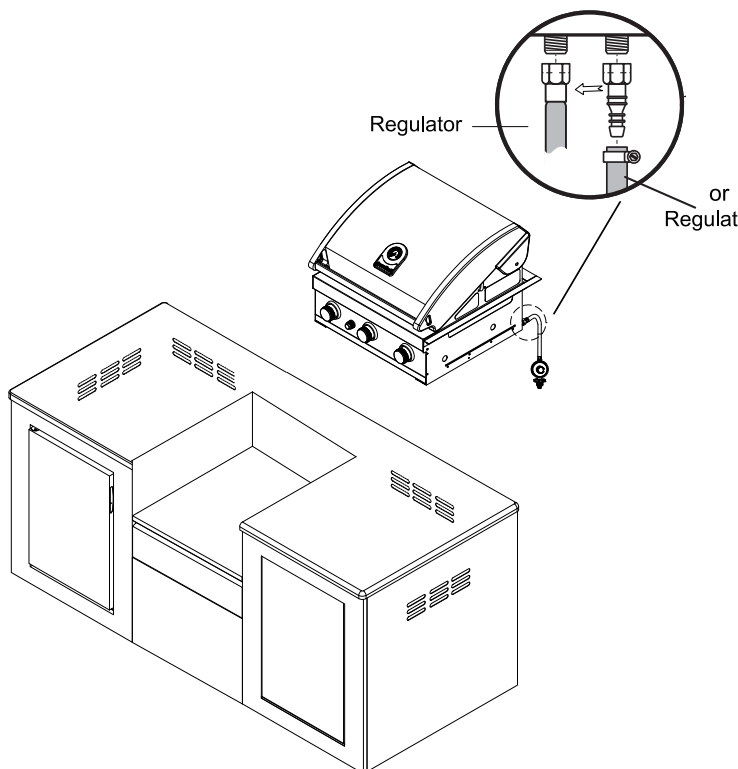
**(HR)** NE BLOKIRAJTE OTVORE VENTILACIJE U KOLICIMA.

**ASSEMBLY- G3BI Model**

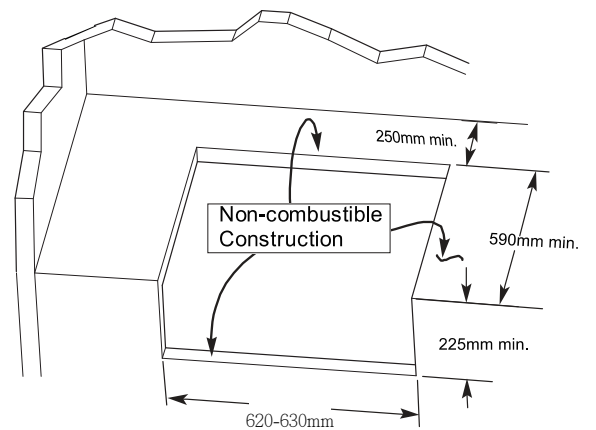
**1. Install the Trim brackets Left and Right & Rear**



**2. Regulator and Install the grill onto the housing .**

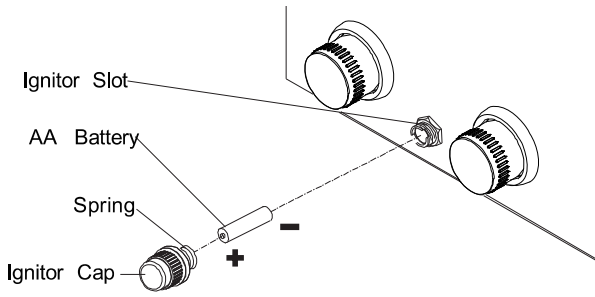


**MOUNTING CUT - OUT**

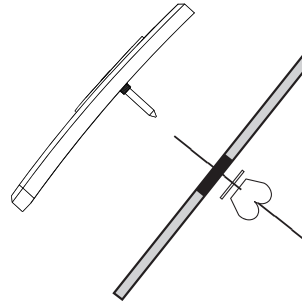


**G3BI Model**

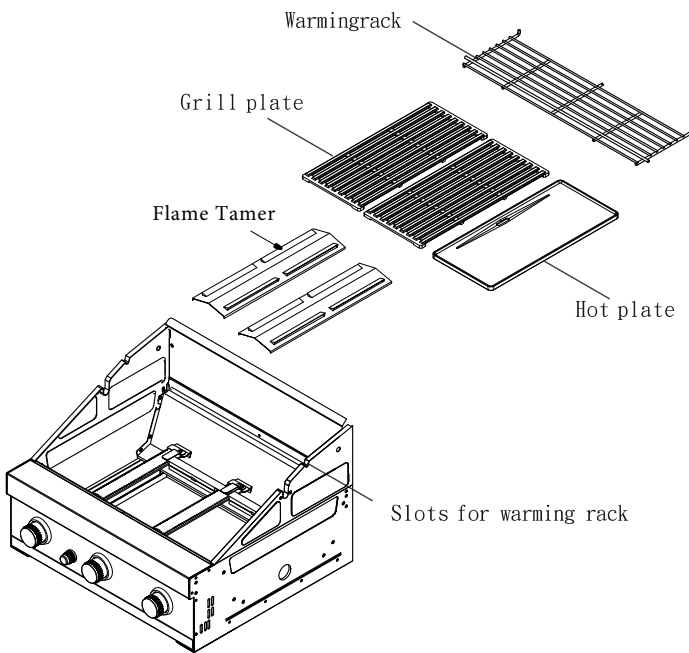
**IGNITION BATTERY**



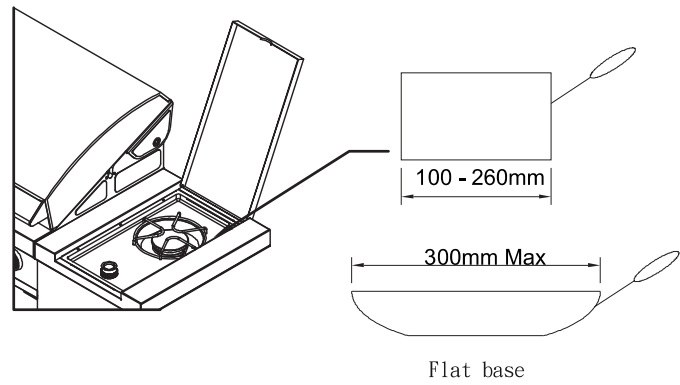
**TEMPERATURE GAUGE**



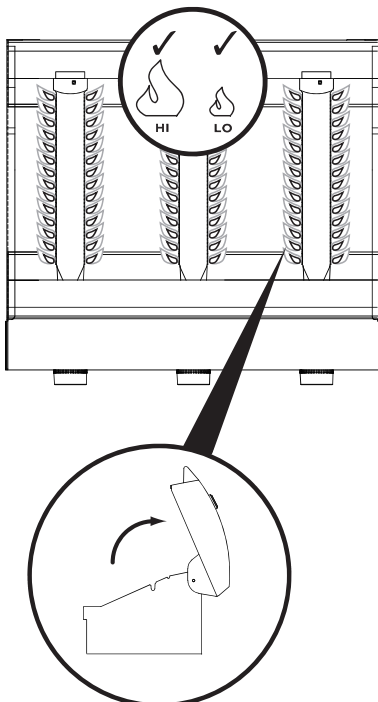
**COOKING COMPONENT INSTALLATION**



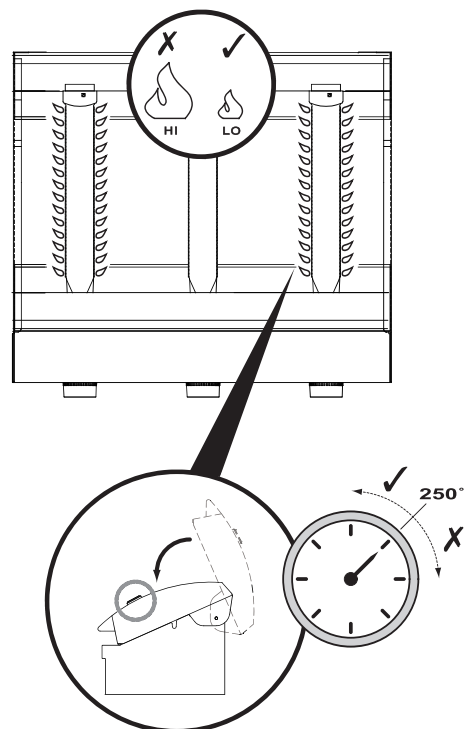
**SIDE BURNER POTS**



**COOKING WITH HOOD OPEN**



**COOKING WITH HOOD DOWN**



The OLD Com B.V.  
Tolstraat 17A  
7482 DC Haaksbergen  
The Netherlands  
T: +31 (0) 53 231 3010  
M: +31 (0) 6 466 120 17

grandhall@grandhall.eu

All specifications are subject to change  
without notice.

Toutes les caractéristiques sont susceptibles  
d'être modifiées sans préavis.

Änderungen ohne vorherige Bekanntgabe  
vorbehalten.

Tutti i dati tecnici possono cambiare  
senza preavviso.

Alle specificaties kunnen zonder voorafgaande  
kennisgeving worden gewijzigd.

Kaikki oikeudet teknisten tietojen  
muutoksiin pidätetään.

Kaikki yksityiskohdat voivat muuttua ilman,  
etta niistä erikseen ilmoitetaan.

Todas las especificaciones están sujetas a  
cambios sin previo aviso.

Todas as especificações estão sujeitas a  
alteração sem aviso.

Moguće su promjene bez prethodnih najava.

Možne so spremembe brez predhodnih najav.

Manufactured by  
Zhuhai Prokan Relaxation Equipment Co., Ltd.  
Jinfa Industrial Area Of Jinding Town, Zhuhai,  
Guangdong, China

PK00032019AE 01 / 2019

**(IE) (GB) NOTE:** This information is a guide only. Items included in your BBQ specification may differ depending on region or specific dealer specification.

**(CH) (FR) NOTE:** Ces renseignements sont donnés à titre indicatif. Il est possible que les articles inclus dans les spécifications de votre barbecue diffèrent selon la région ou les caractéristiques stipulées par le concessionnaire.

**(AT) (CH) (DE) ANMERKUNG:** Diese Anleitung dient nur zu Informationszwecken. Einzelteile der Grillspezifikation sind unter Umständen verschieden entsprechend der Vertriebsregion oder bestimmten Händleranforderungen.

**(CH) (IT) AVVERTENZA:** Queste informazioni hanno il valore di guida soltanto. Gli articoli compresi nelle caratteristiche tecniche del barbecue potrebbero variare a seconda della regione o del concessionario.

**(BE) (NL) ATTENTIE:** Deze informatie is alleen bedoeld als gids. Onderdelen in uw BBQ specificatie en pakket kunnen per regio of per dealer verschillen.

**(SE) ANM.:** Denna information är endast avsedd som handledning. Specifikationerna för grillen kan variera regionalt eller beroende på de krav som olika återförsäljare har.

**(FI) HUOMATKAA:** Nämä tiedot ovat pelkästään suuntaa antavia. Ostamanne grillin yksityiskohdat voivat olla erilaiset paikkakunnan tai erityisten myyjäkohtaisten yksityiskohtien mukaan.

**(ES) NOTA:** Esta información es una guía únicamente. Es posible que las indicaciones incluidas en las especificaciones de su Asador sean diferentes según la región o las especificaciones específicas del representante.

**(PT) NOTA:** Esta informação é simplesmente um guia. Os itens incluídos na especificação do seu BBQ poderão diferir dependendo da especificação da região ou do vendedor específico.

**(DK) NB:** Denne information er kun vejledende. Specifikationer kan variere efter ønske fra forhandler, eller i henhold til nationale regler.

**(NO) NB:** Denne informasjon er kun veiledende. Spesifikasjoner kan variere som stipulert av forhandler, eller i henhold til nasjonale krav.

**(HR) UPOZORENJE:** Ova uputa služi samo u informativne svrhe. Pojedini dijelovi specifikacije roštilja su različiti od onih koji su propisani Vašim mjestom boravka ili koje su propisali razni distributeri i ovlaštenici za plinske roštilje.

**(SI) OPOZORILO:** Ta navodila so samo informativne narave. Posamezni deli iz specifikacije žara so lahko različni od tistih, kateri so predpisani v vaši regiji ali katere so predpisali distributerji in pooblašeni zastopniki za plinske žare.