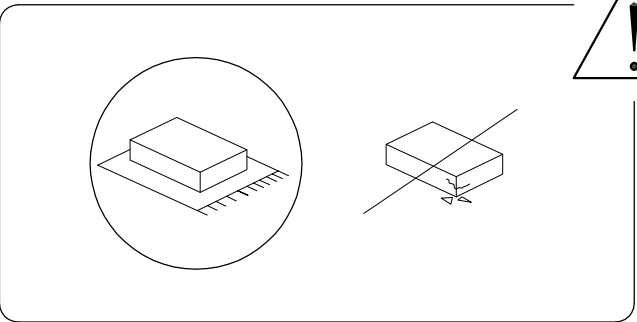
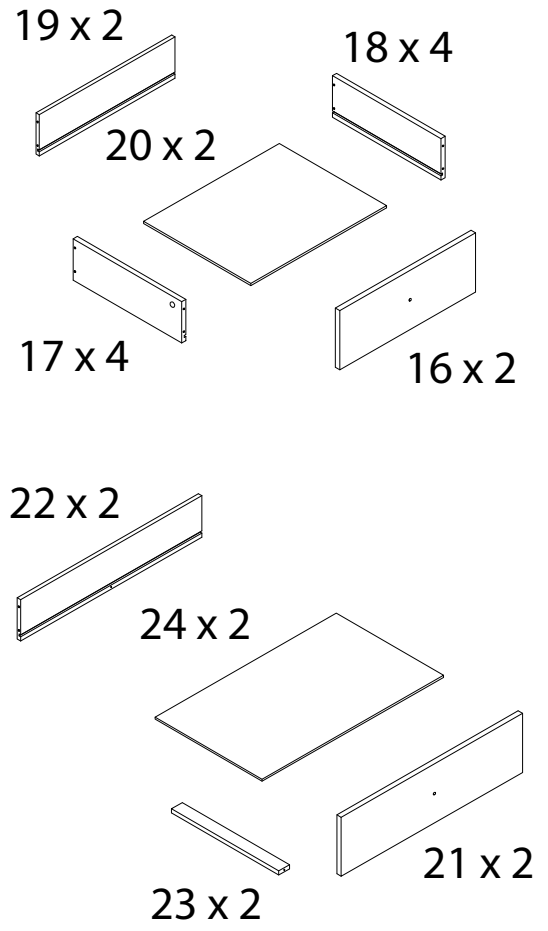
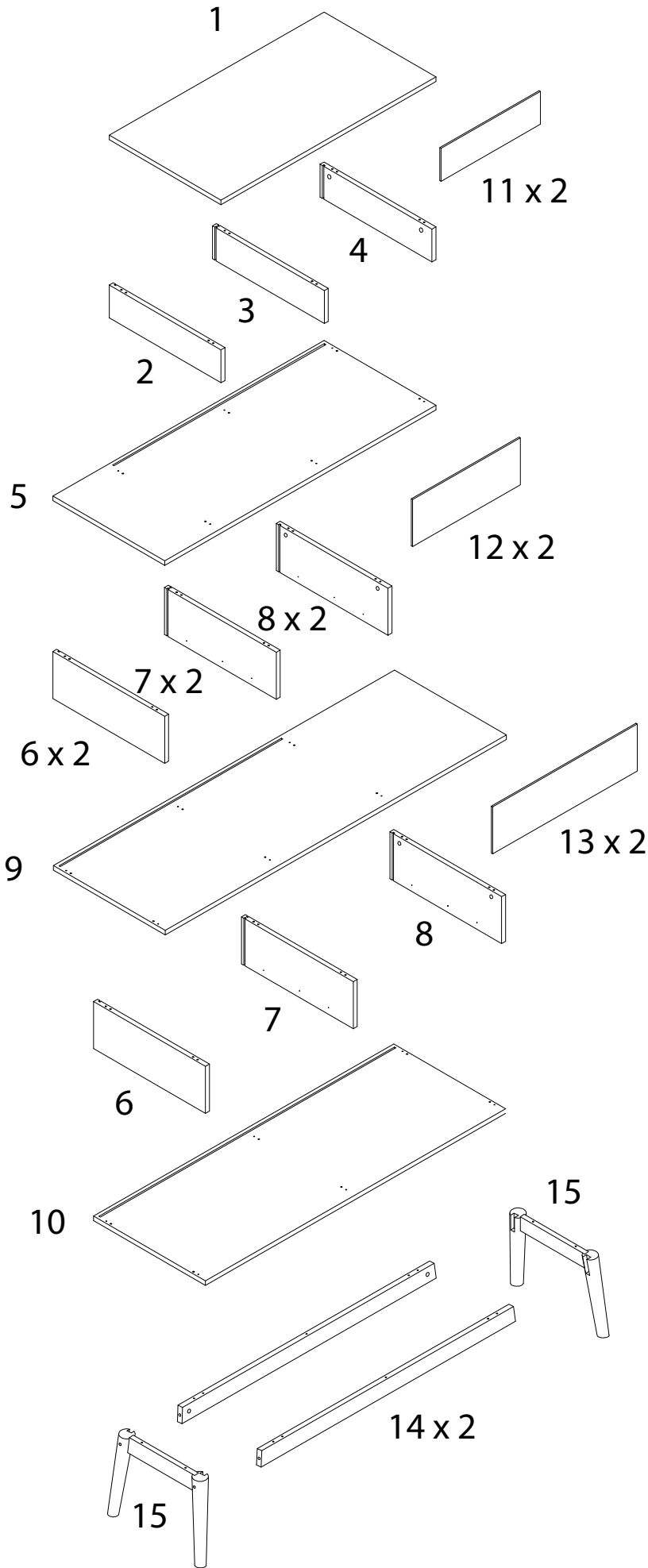
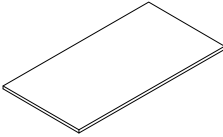
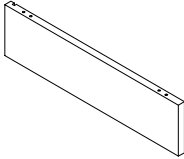
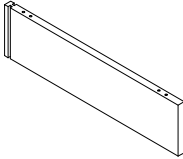
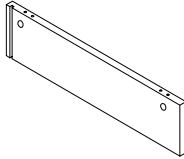
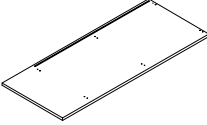
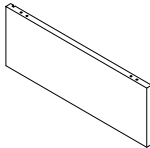
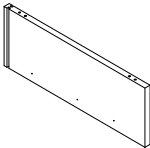
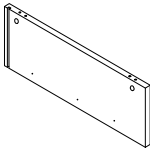
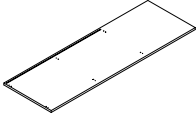
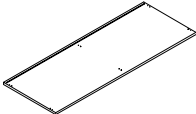
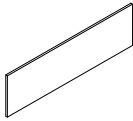
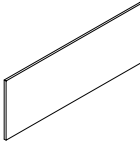
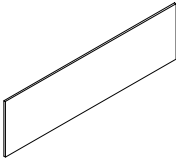
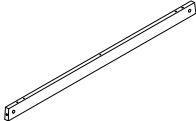
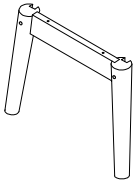
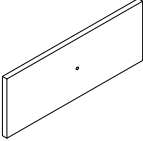
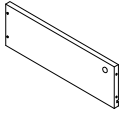
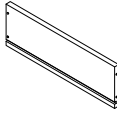
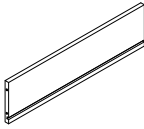
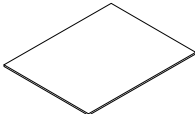
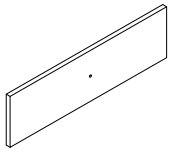
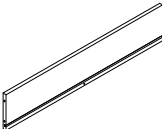
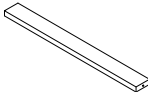
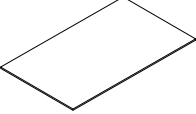


150'



1



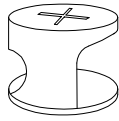
1  x 1	2  x 1	3  x 1	4  x 1	
5  x 1	6  x 2	7  x 2	8  x 2	9  x 1
10  x 1	11  x 2	12  x 2	13  x 2	14  x 2
15  x 2	16  x 2	17  x 4	18  x 4	19  x 2
20  x 2	21  x 2	22  x 2	23  x 2	24  x 2

A



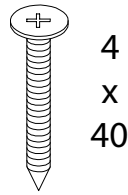
x 28

B



x 28

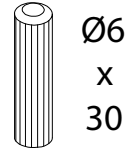
C



4  
x  
40

x 46

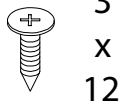
D



Ø6  
x  
30

x 48

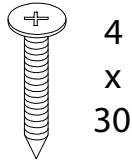
E



3  
x  
12

x 48

F



4  
x  
30

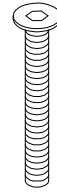
x 4

G



x 4

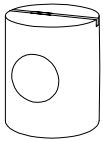
H



M6  
x  
65

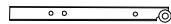
x 4

I



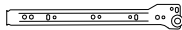
x 4

J



x 4

K



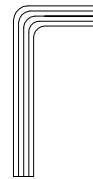
x 4

L



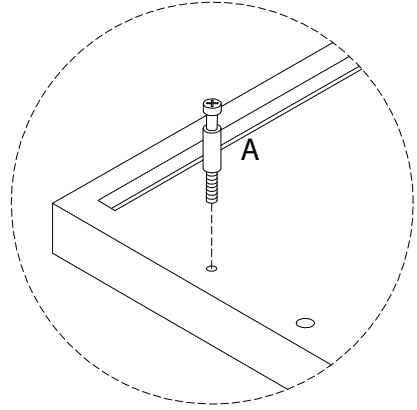
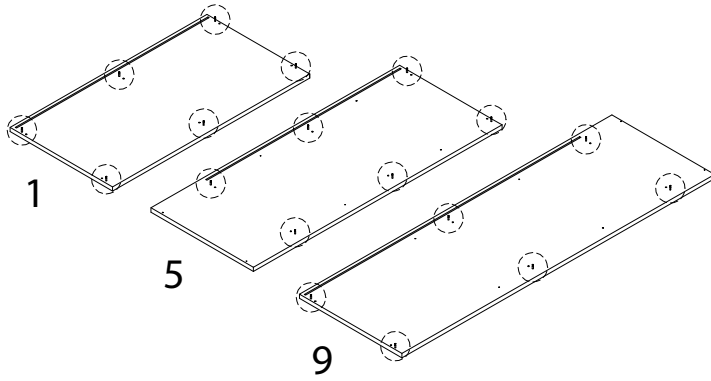
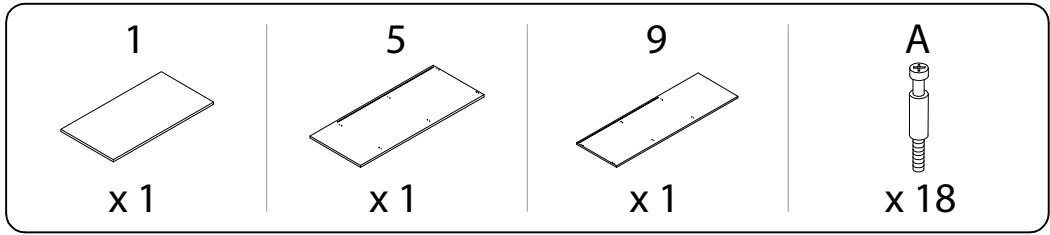
x 4

M

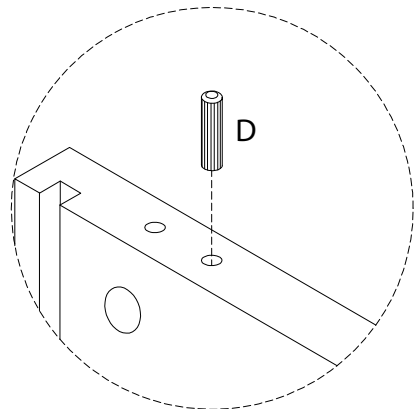
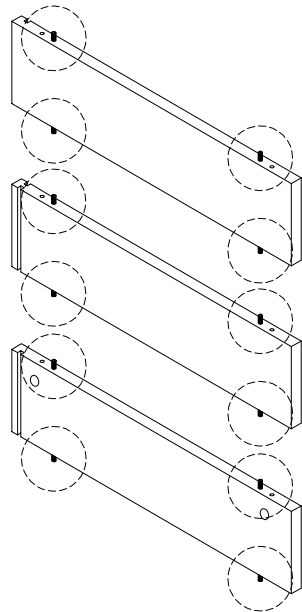
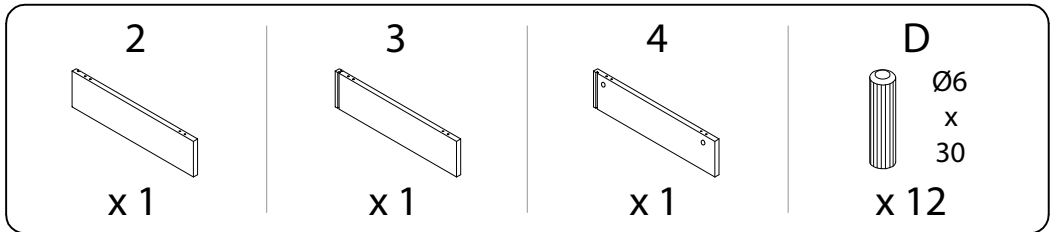


x 1

1



2

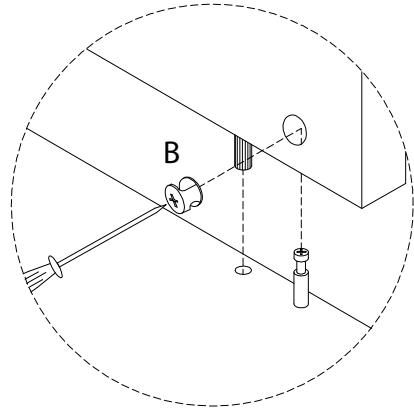
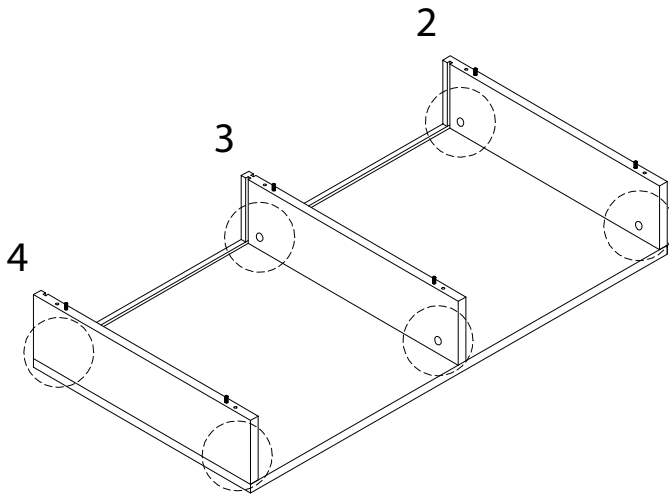


3

B

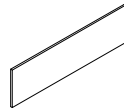


x 6

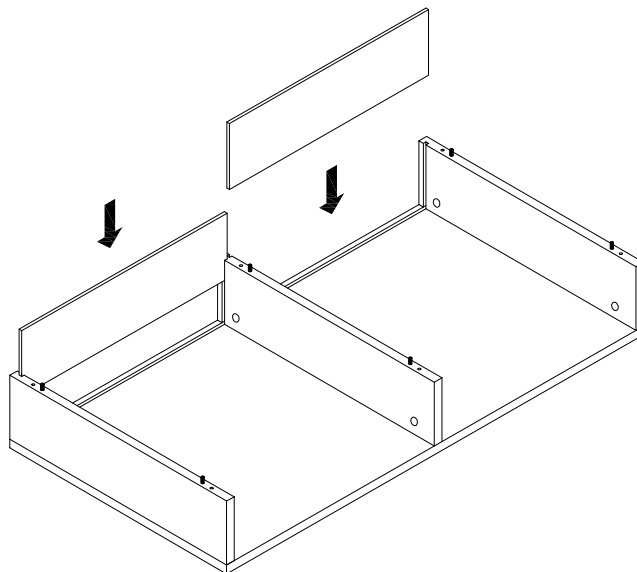


4

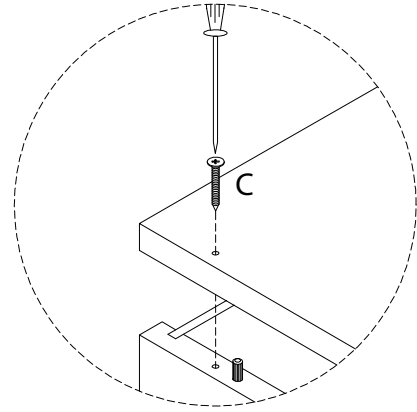
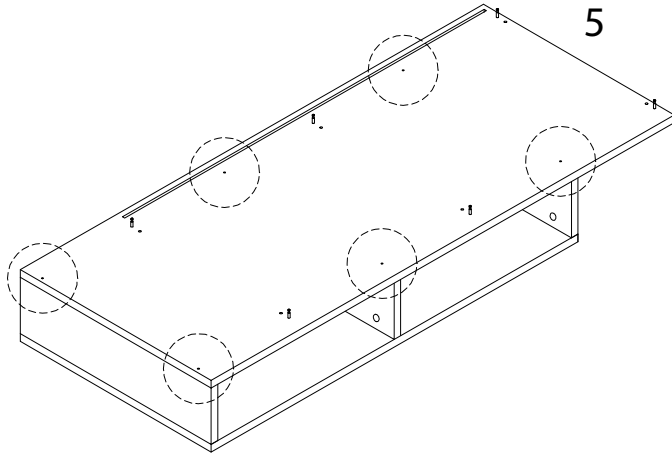
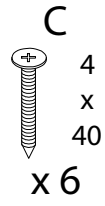
11



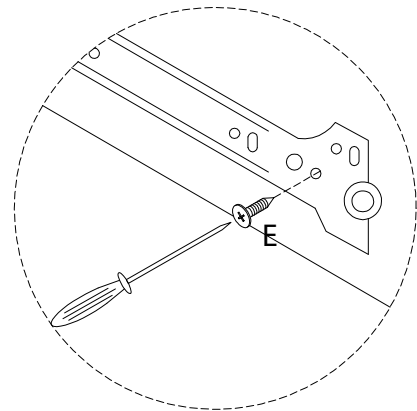
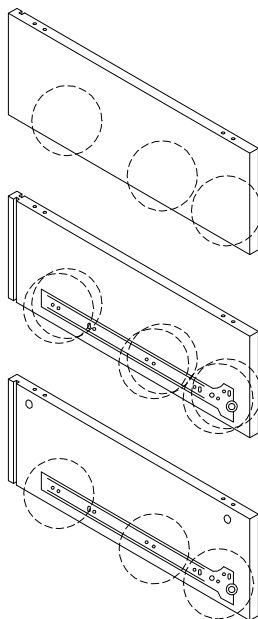
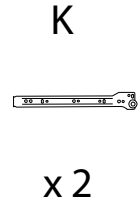
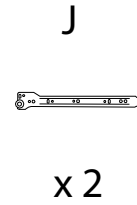
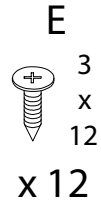
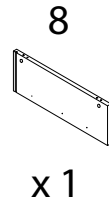
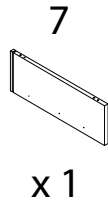
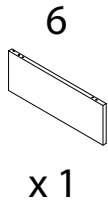
x 2



5



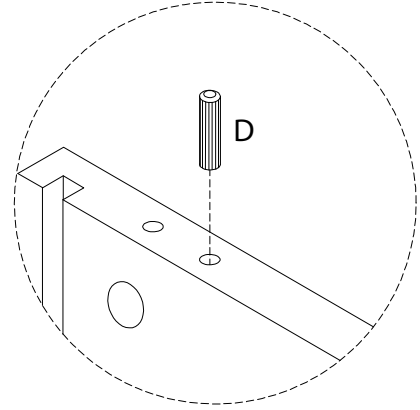
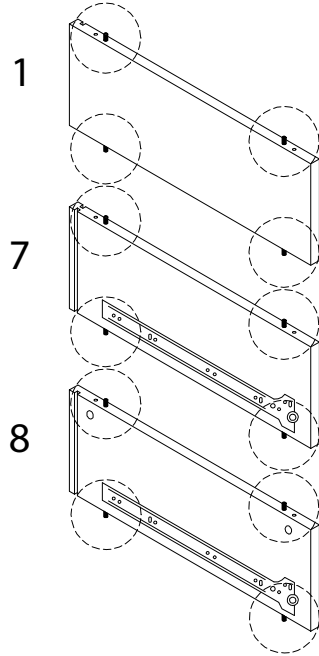
6 x 2



7 x 2

D

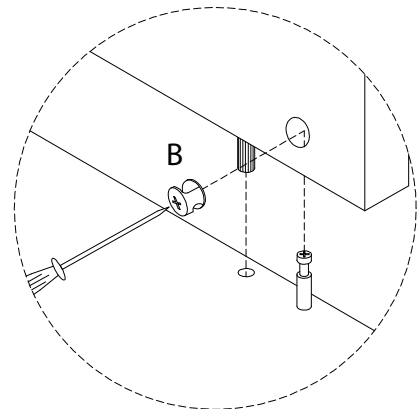
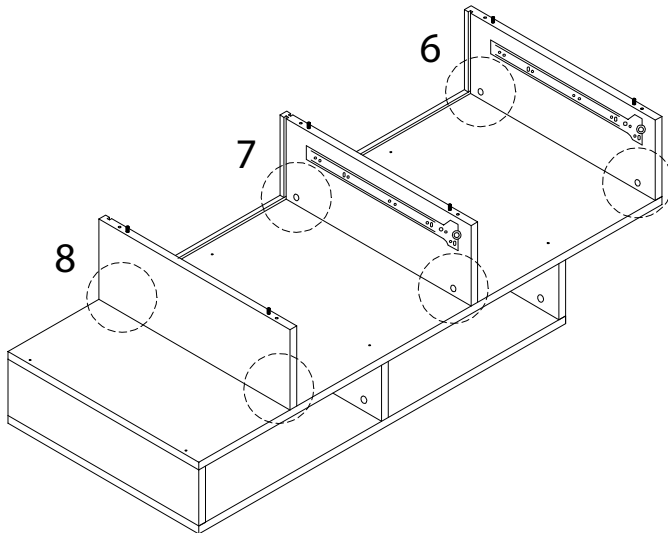
Ø6  
x  
30  
x 12



8

B

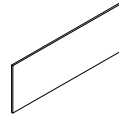
x 6



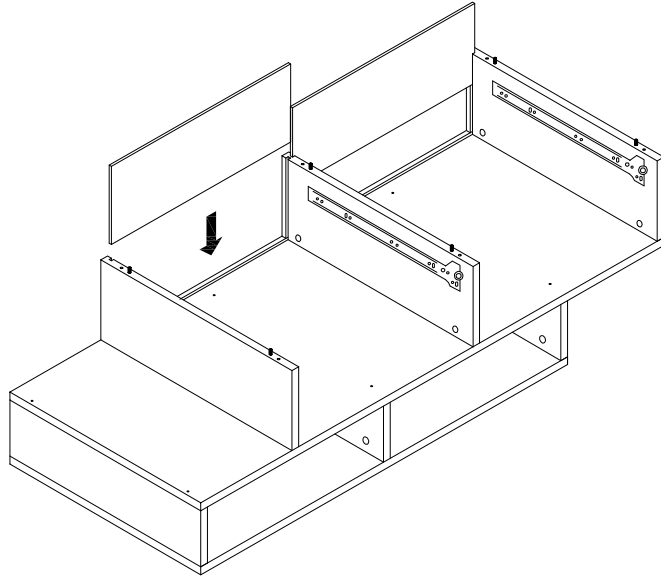


9

12

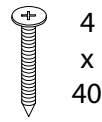


x 2



10

C

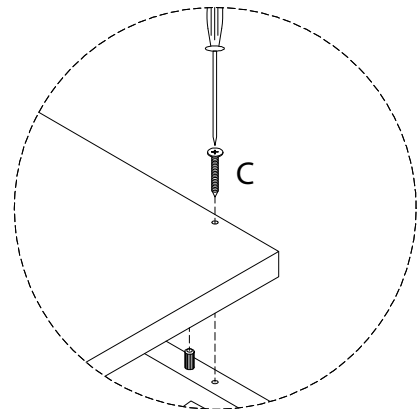
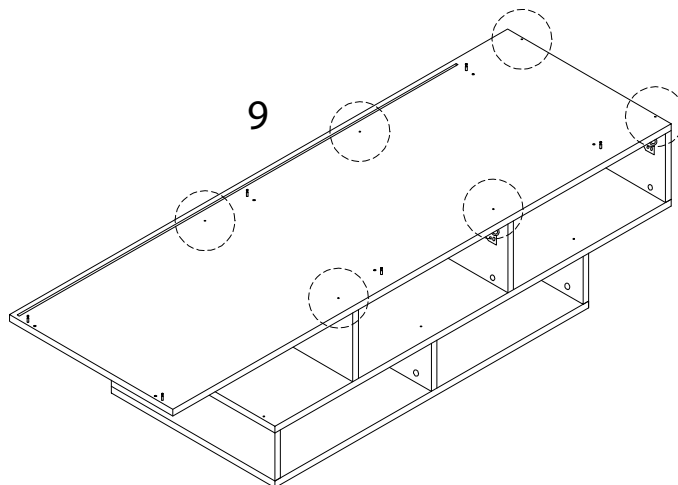


4

x

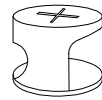
40

x 6

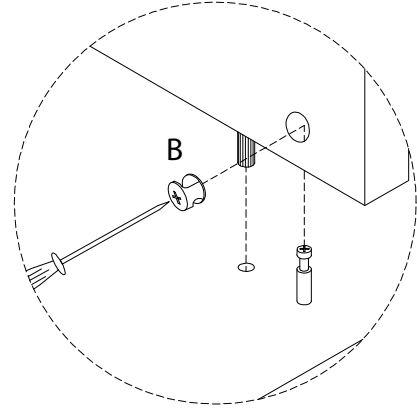
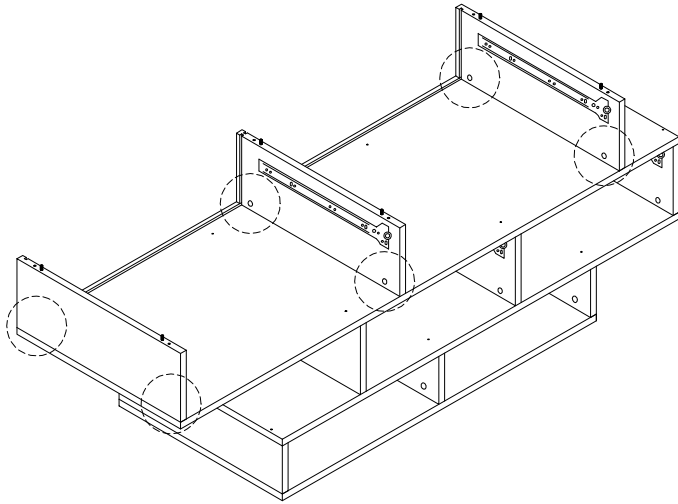


11

B

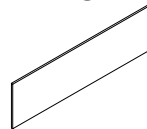


x 6

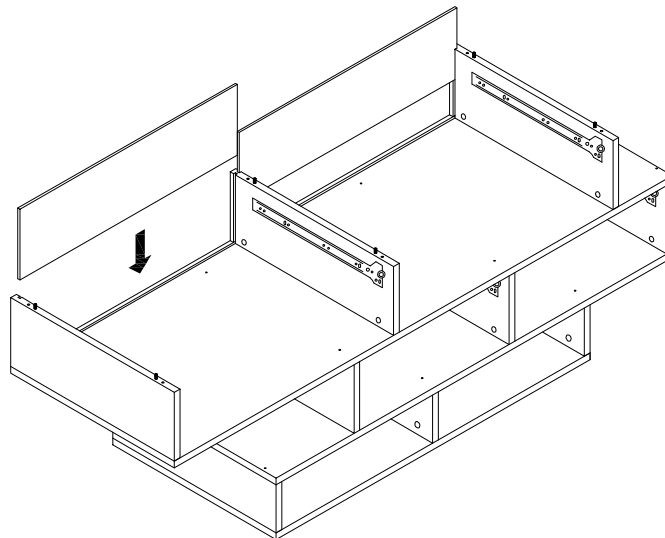


12

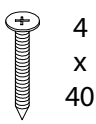
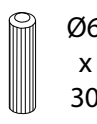
13

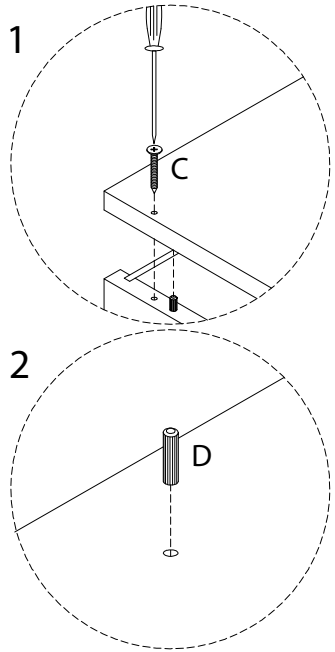
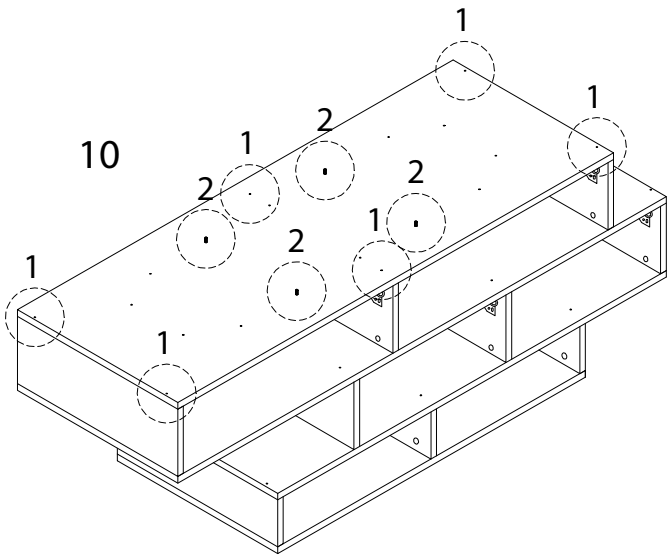


x 2

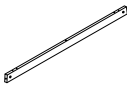

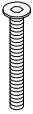
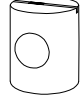

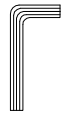


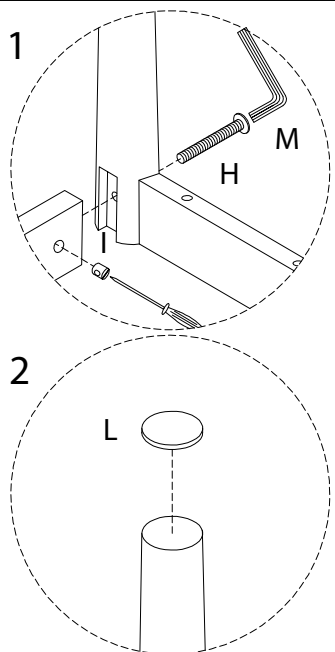
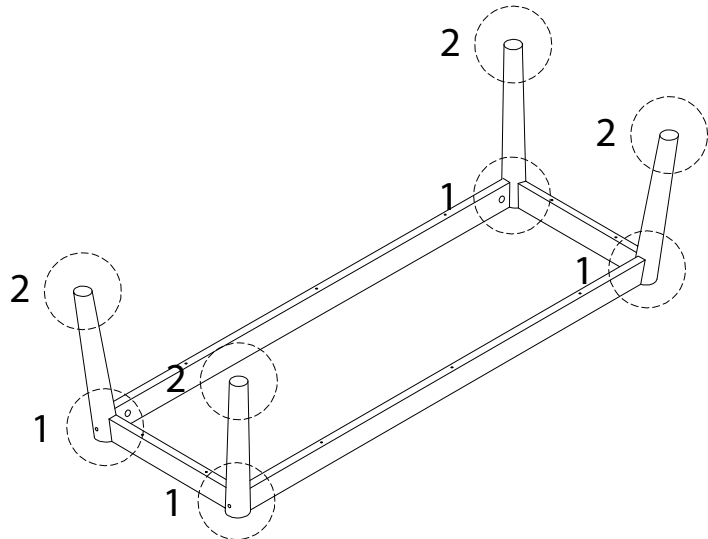
13

<p><b>C</b></p>  <p>4 x 40 x 6</p>	<p><b>D</b></p>  <p>Ø6 x 30 x 4</p>
---	--



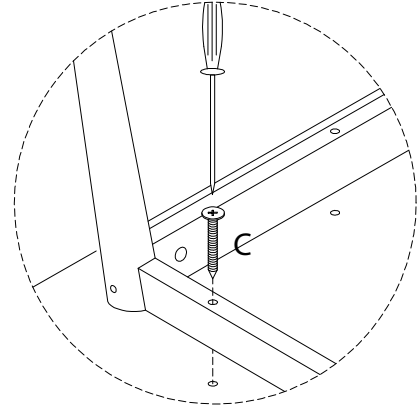
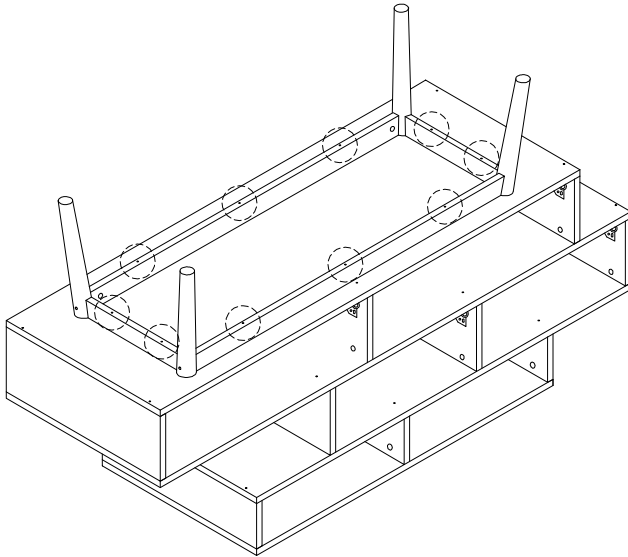
14

<p><b>14</b></p>  <p>x 2</p>	<p><b>15</b></p>  <p>x 2</p>	<p><b>H</b></p>  <p>M6 x 65 x 4</p>	<p><b>I</b></p>  <p>x 4</p>	<p><b>L</b></p>  <p>x 4</p>	<p><b>M</b></p>  <p>x 1</p>
---	---	--	--	--	--



15

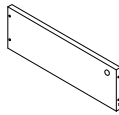
C  
4  
x  
40  
x 10



16 x 2

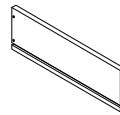
C  
4  
x  
40  
x 4

17



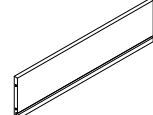
x 1

18

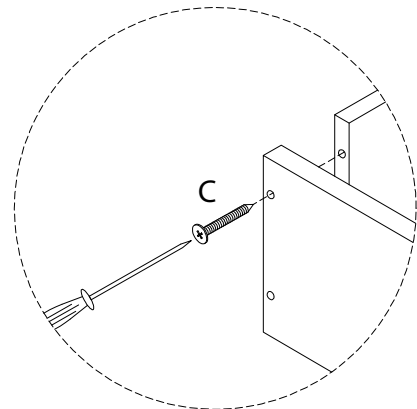
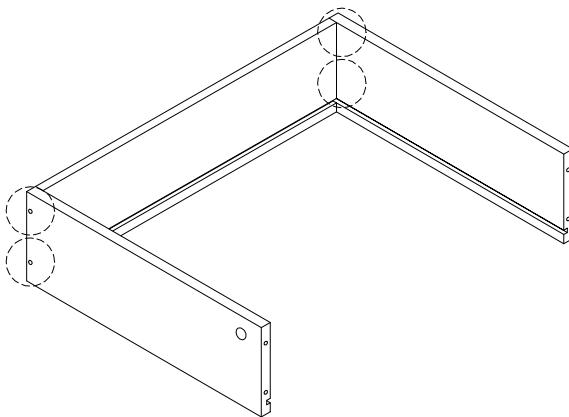


x 1

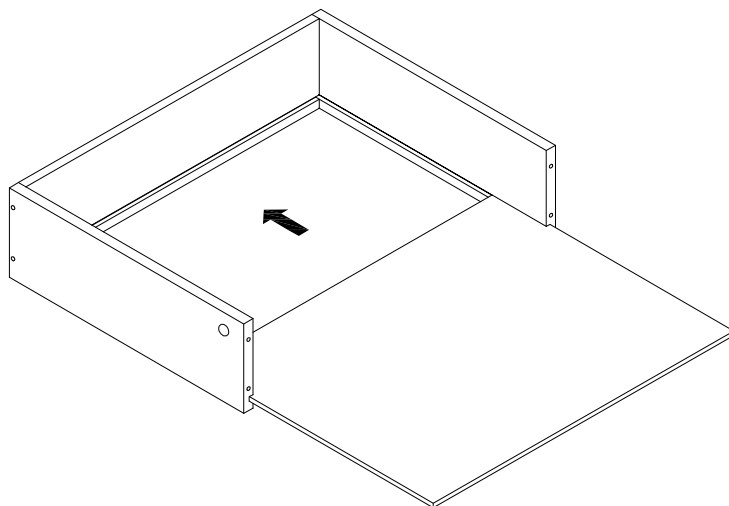
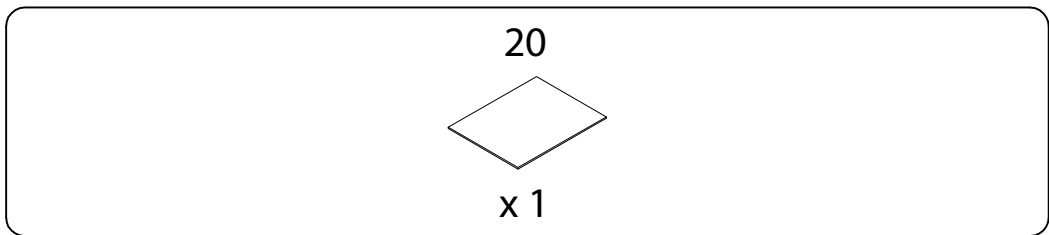
19



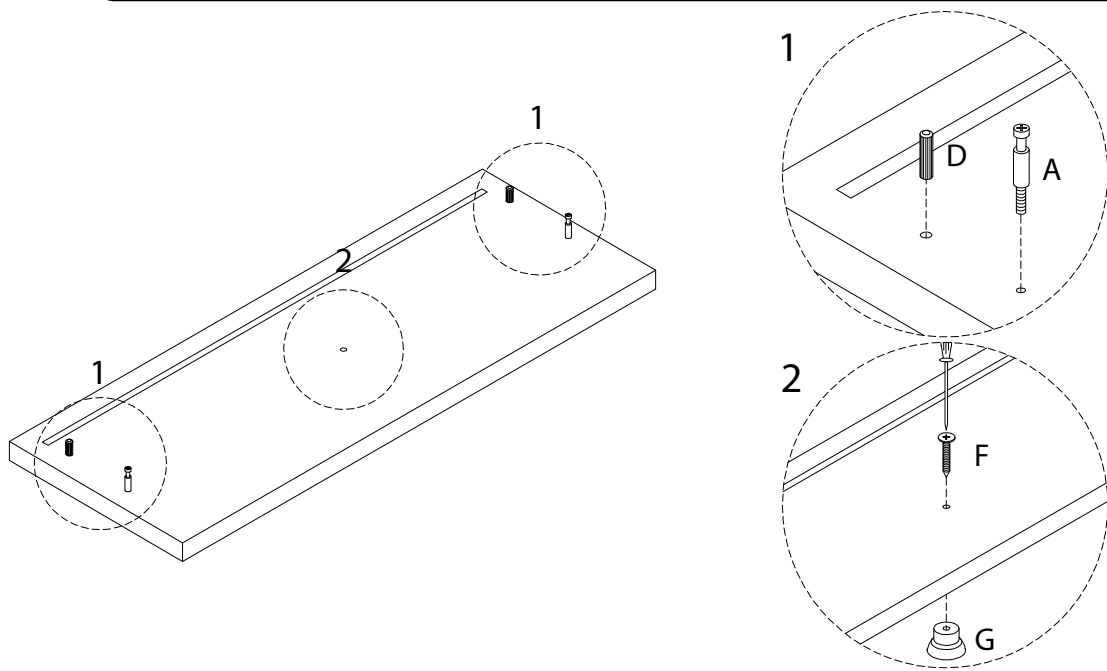
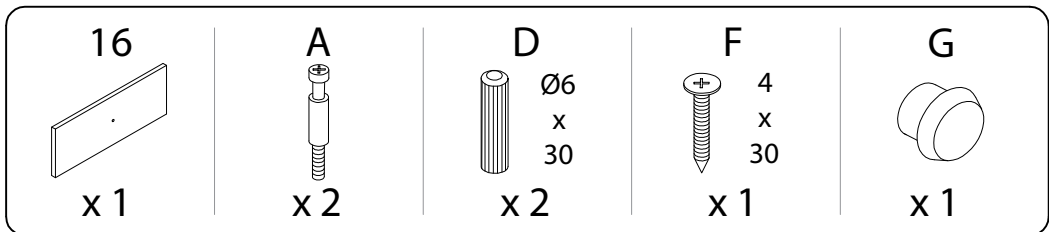
x 1



17 x 2



18 x 2

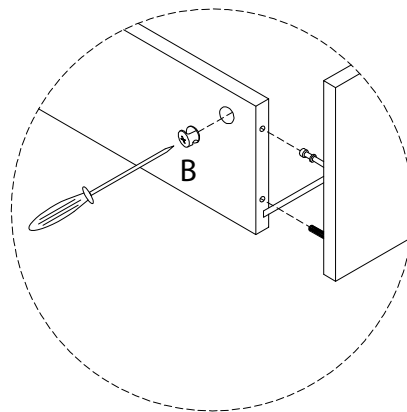
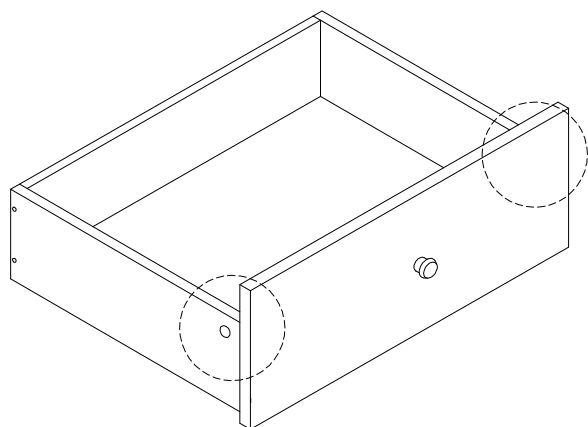


19 x 2

B



x 2



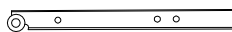
20 x 2

J



x 1

K



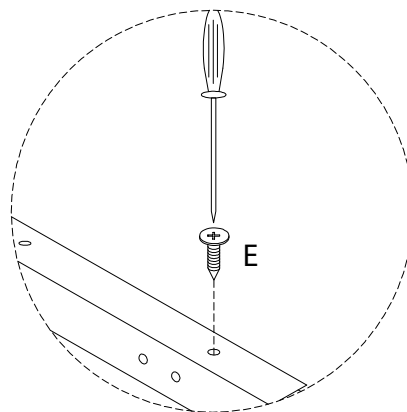
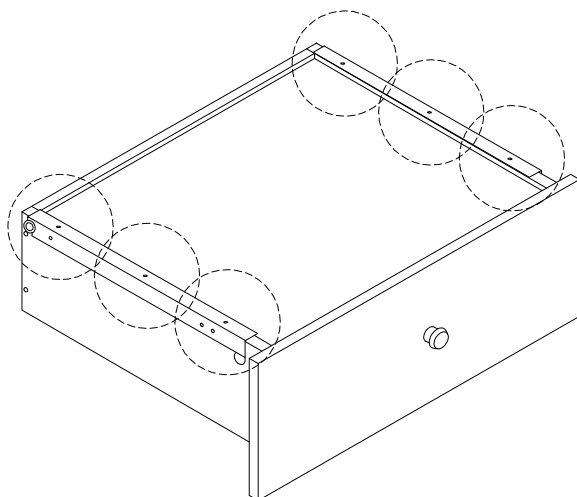
x 1

E

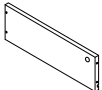
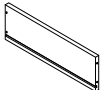
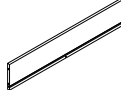
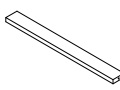
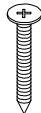


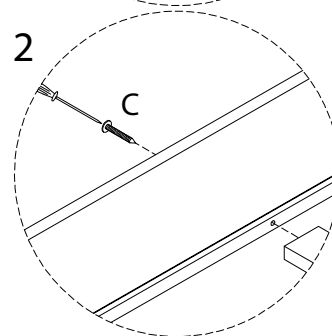
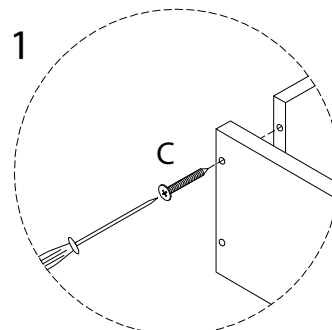
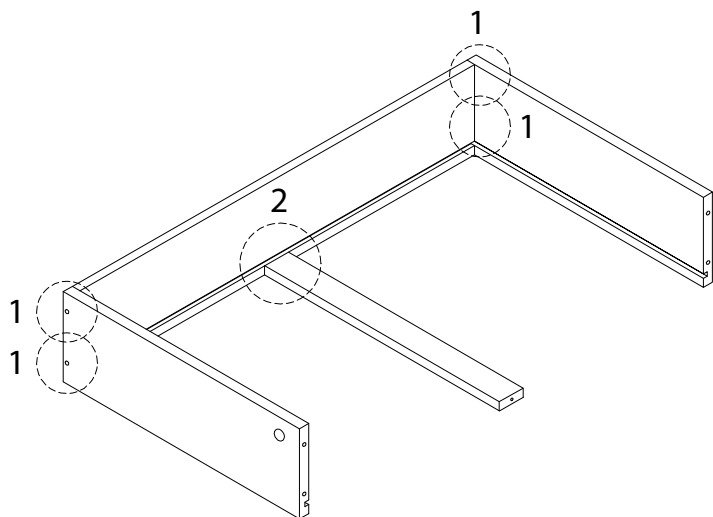
3  
x  
12

x 6

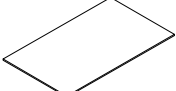


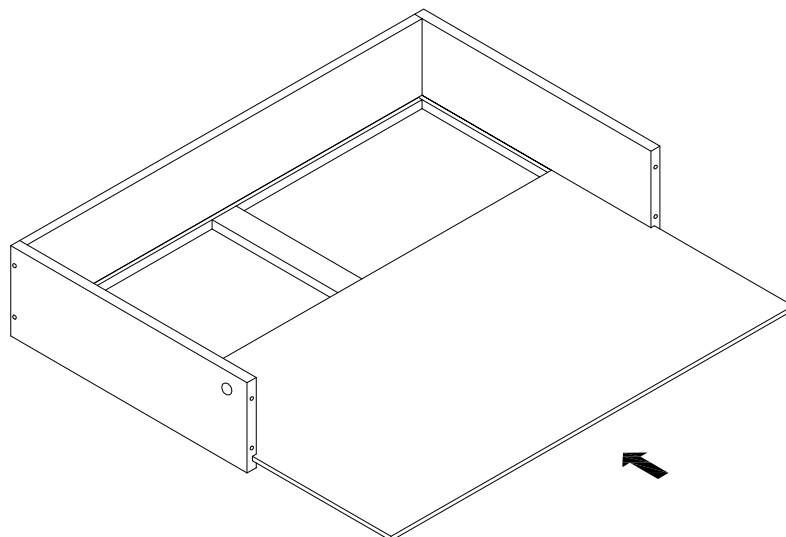
21 x 2

17  x 1	18  x 1	22  x 1	23  x 1	C  4 x 40 x 5
--	--	--	--	---

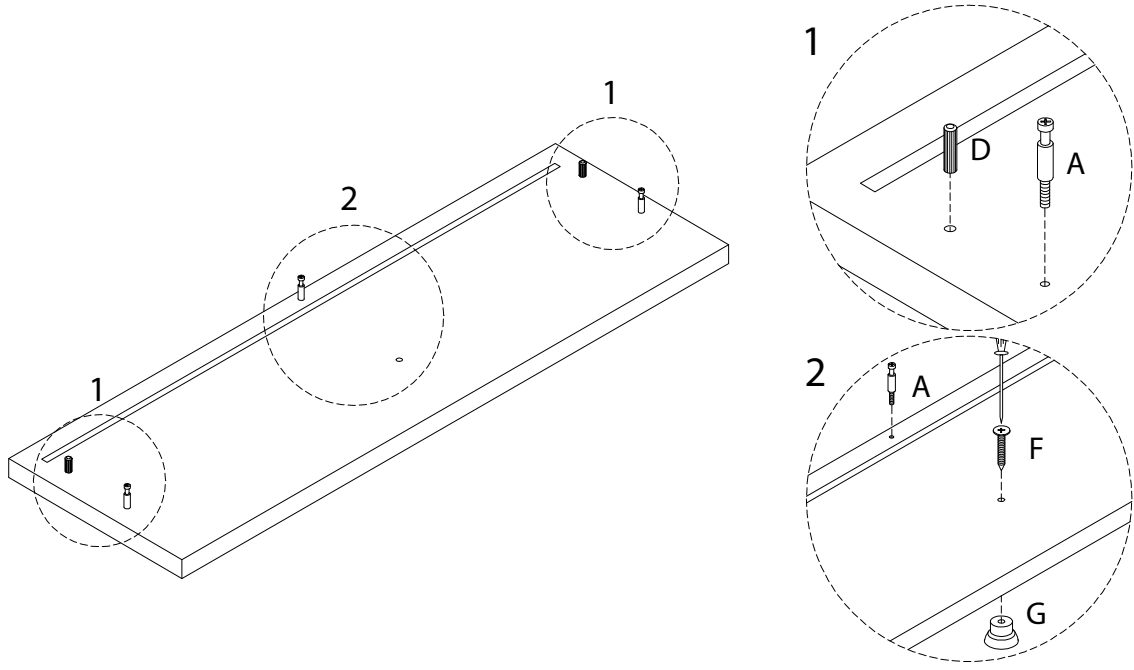
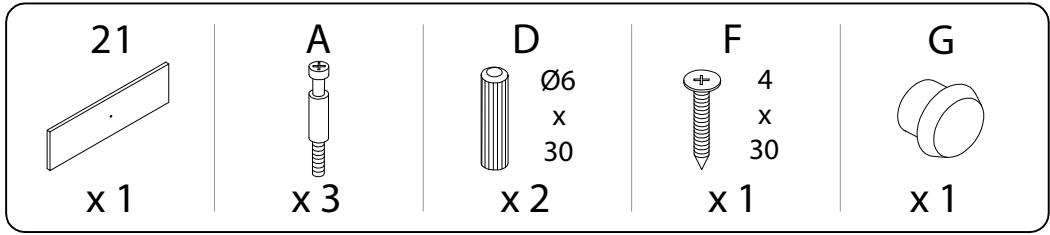


22 x 2

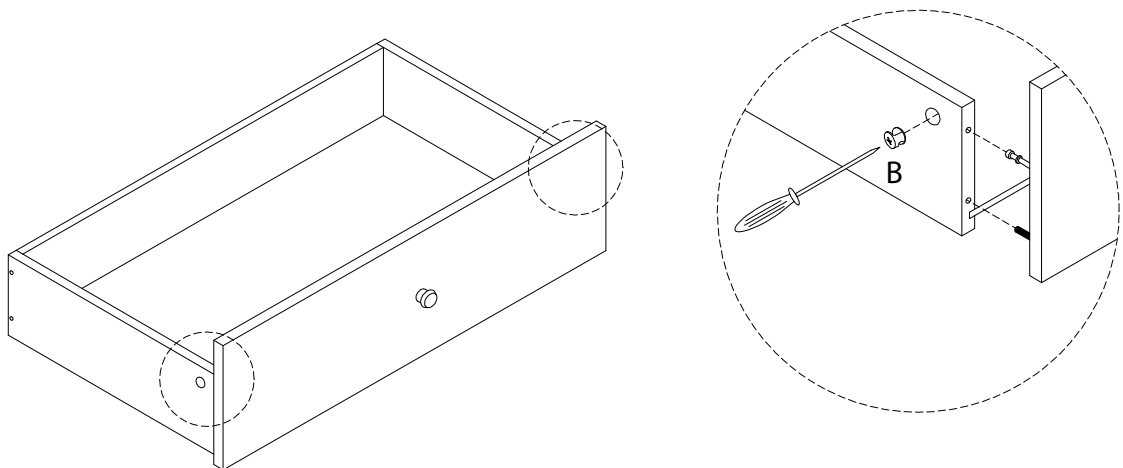
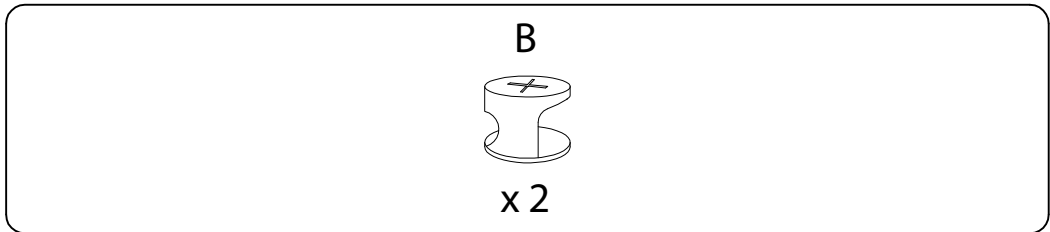
24  x 1
--



23 x 2



24 x 2





25 x 2

