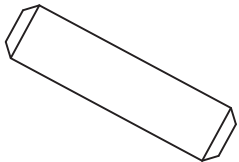
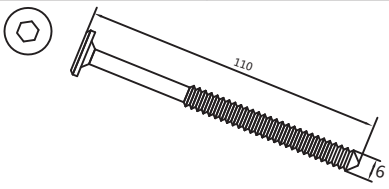


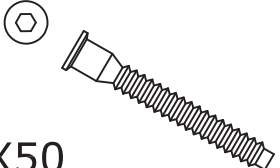



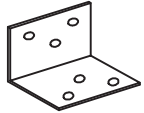
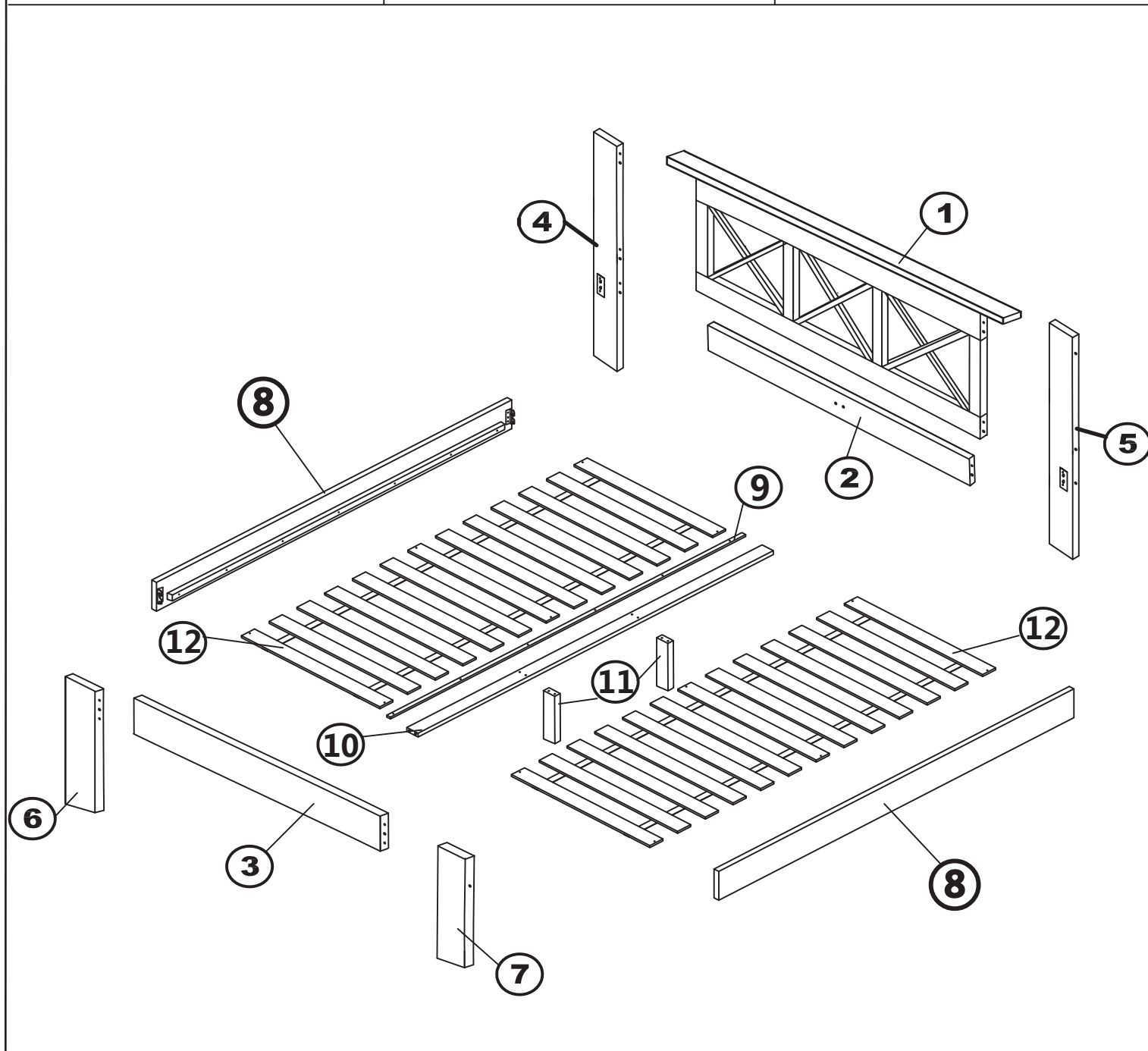


# ASSEMBLY INSTRUCTION

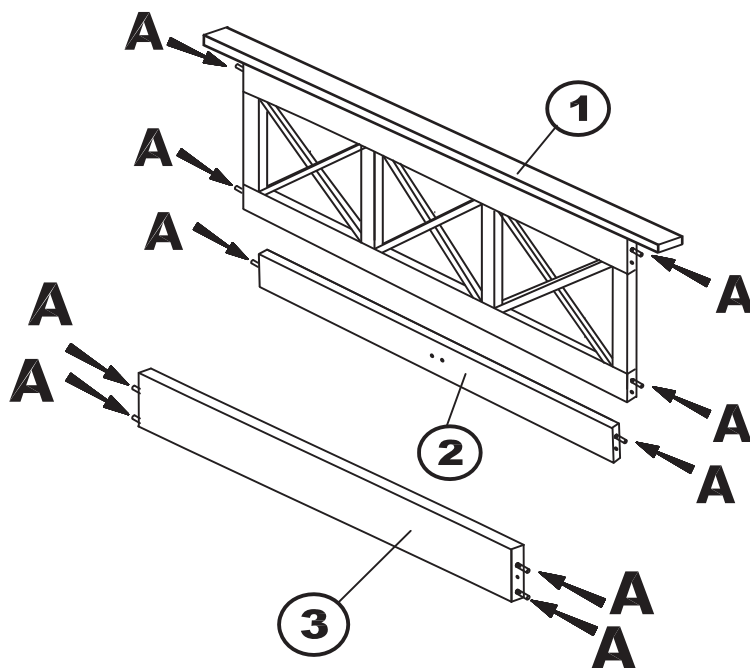
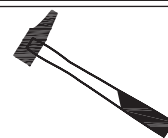
## BED XC-140/160/180

 <b>Ø8X30</b> <b>AX10</b>	 <b>Ø6X110</b> <b>BX8</b>	 <b>Ø10X12.5</b> <b>CX8</b>
 <b>4MM</b> <b>DX1</b>	 <b>Ø7X50</b> <b>EX6</b>	 <b>Ø3.5X25</b> <b>FX18</b>
 <b>M8X12</b> <b>GX8</b>	 <b>Ø3.5X16</b> <b>HX6</b>	 <b>JX1</b>



# 1

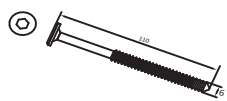
AX10



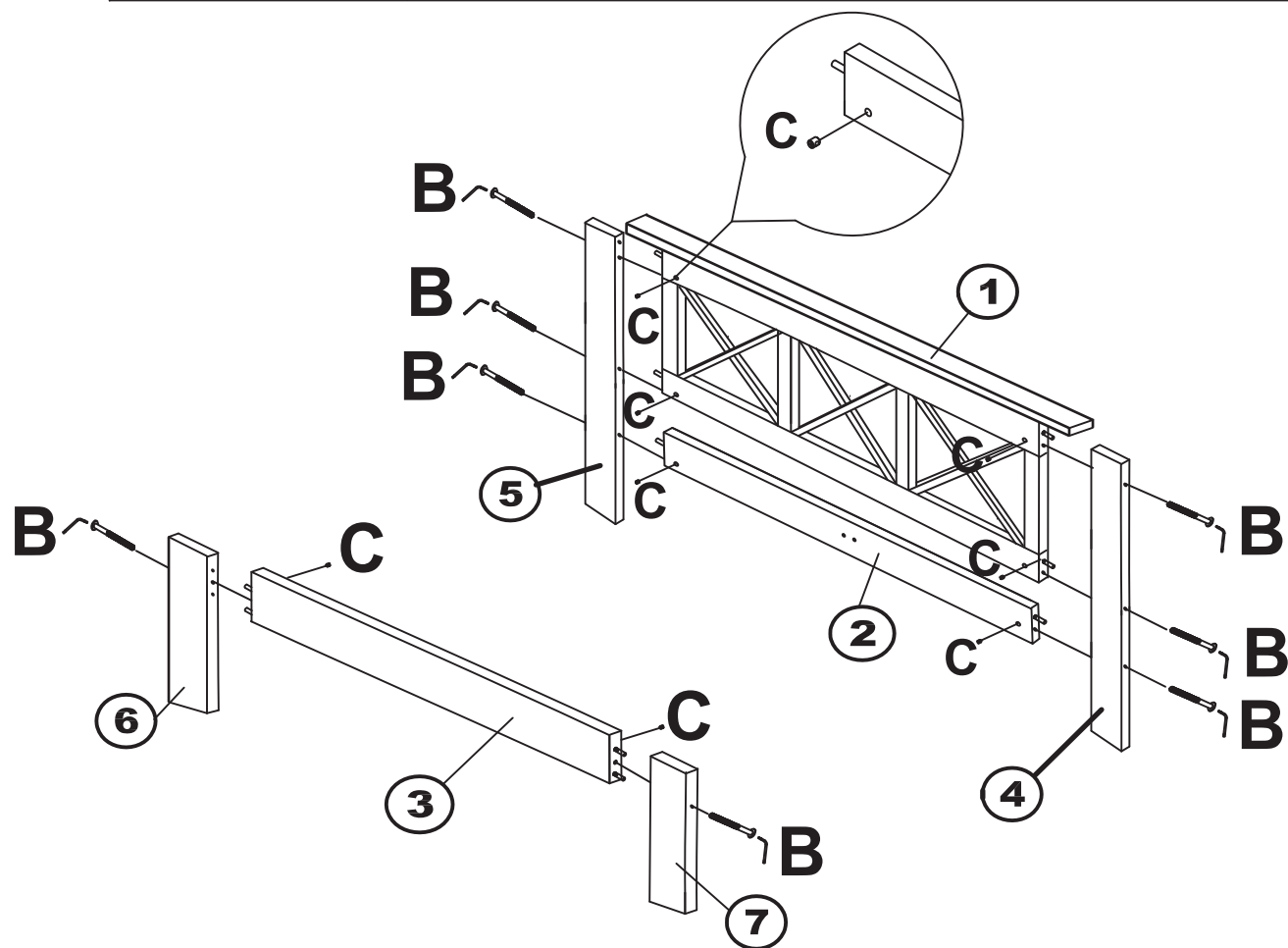
# 2

Ø6X110

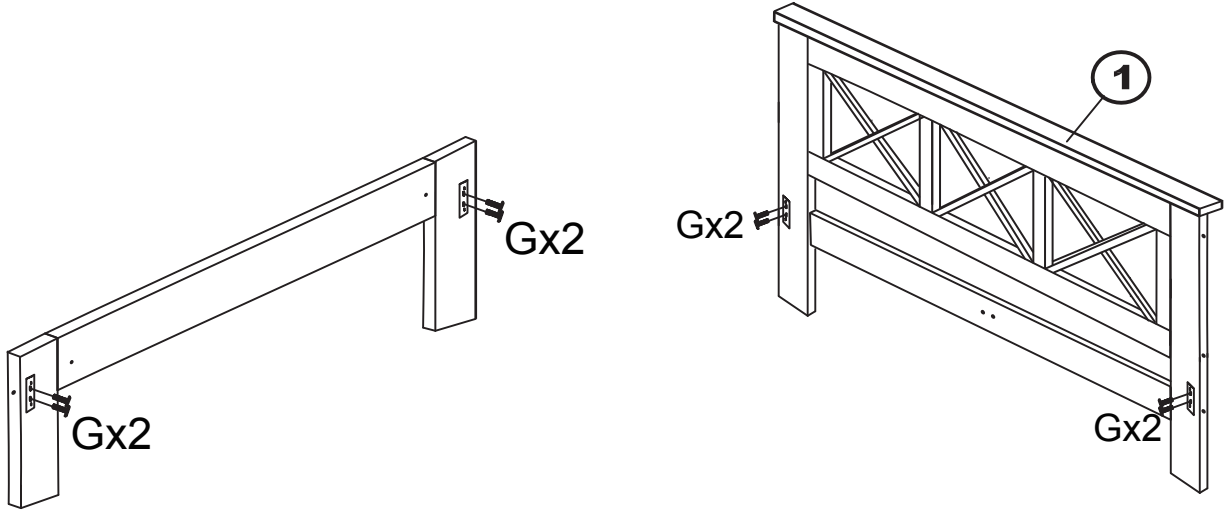
BX8



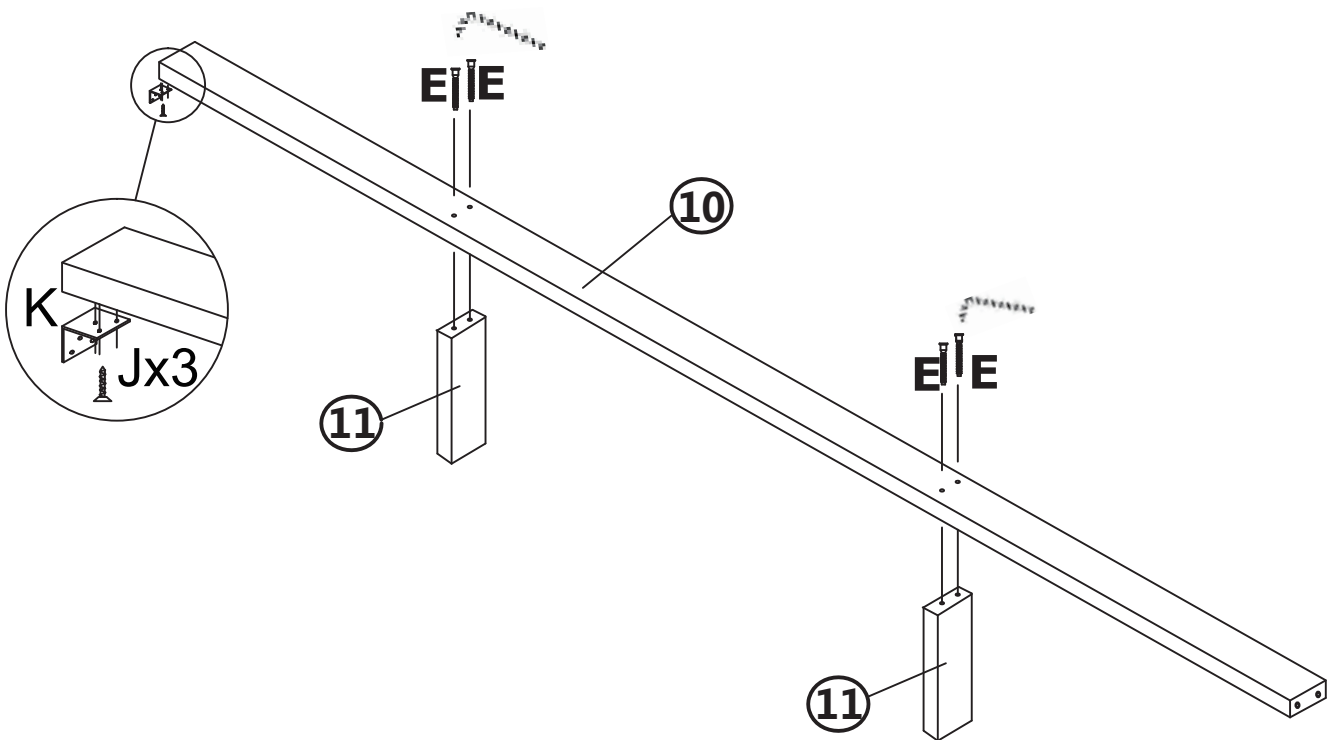
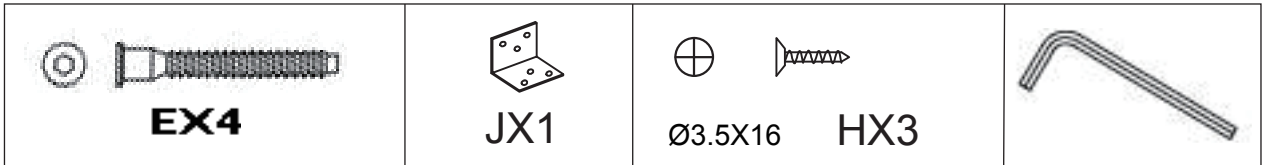
CX8



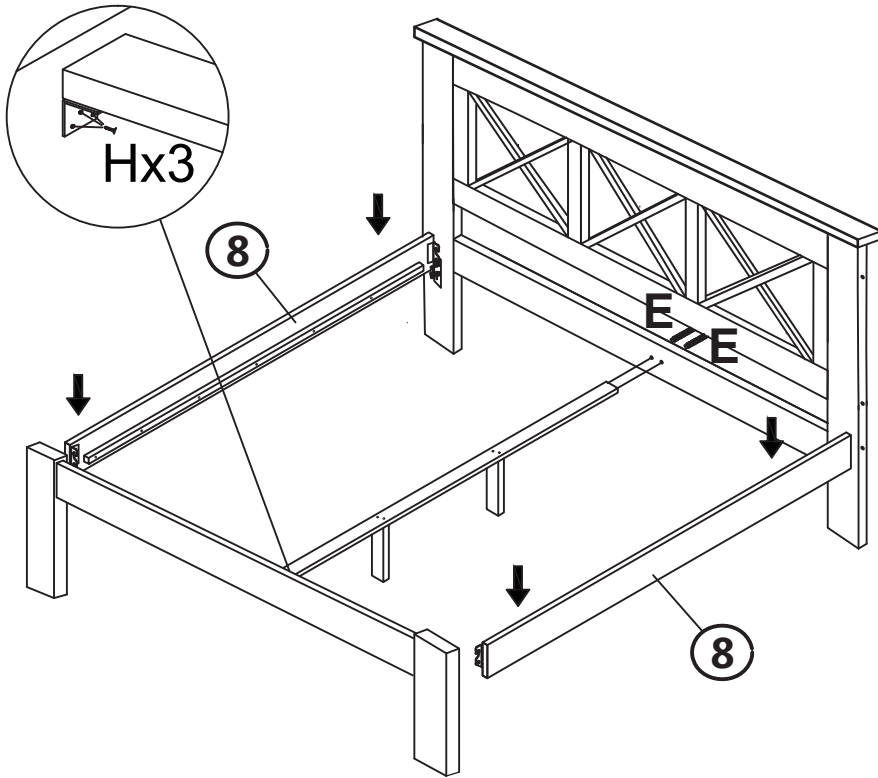
# 3



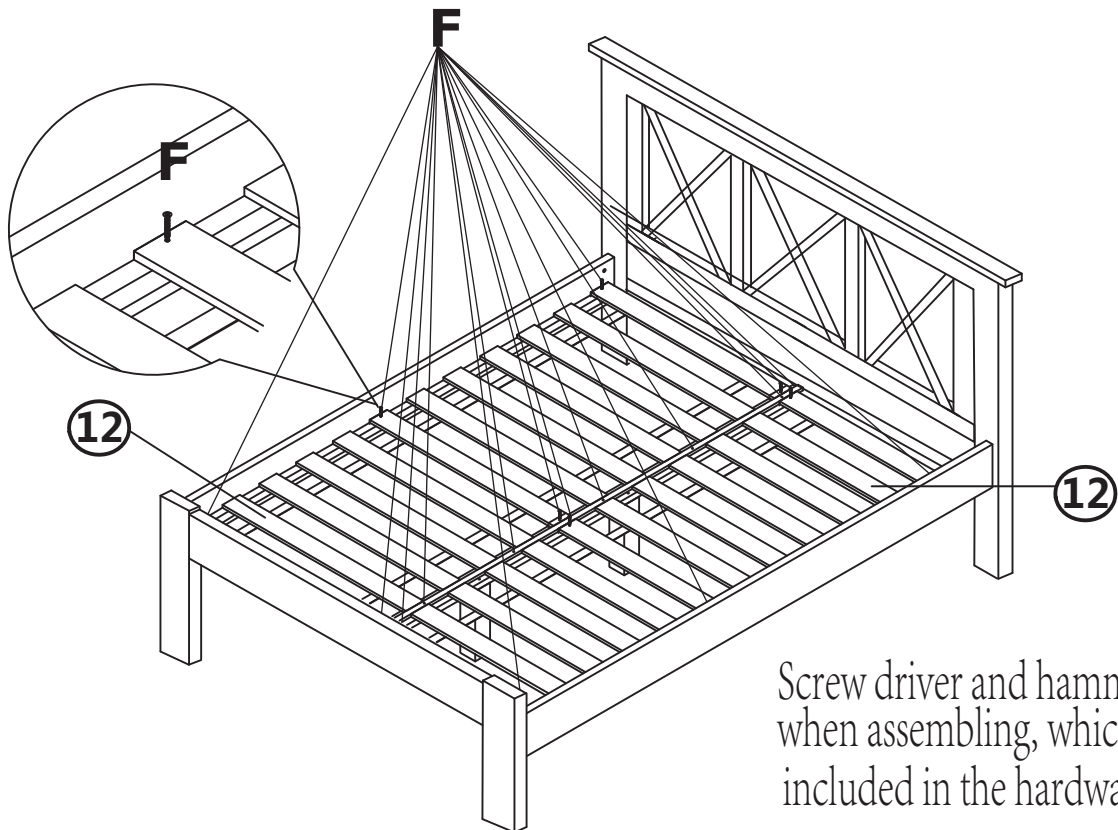
# 4



# 5



# 6



Screw driver and hammer is needed when assembling, which is not included in the hardware.