

### Technical data

Column Range	3	Input Voltage	100-240V
Max. Weight Capacity	125KG	Max. Speed	38mm/s
Height Range	600-1200mm	Temperature	0-40°C
Weight Range	1100-1600mm	Construction	OE FPC OTC
Duty Cycle	10%, Max. 2 min on Min. 10 min off		

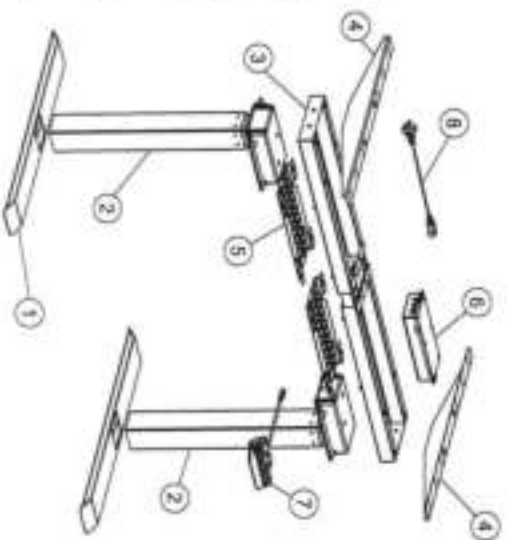
### Accessory list

Attention: The drawings below are only for reference which might be slightly different from the actual object, please to read manual. Any loose missing or installation problems, please contact the customer service firstly.

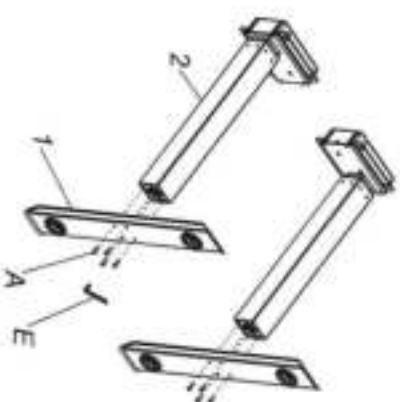
No.	Image	Spec	Qty
A		M6*15mm	9
B		51x 3.2/3mm	26
C		M8*15mm	8
D		Adhesive Pad	6
E		Allen Key   Allen Key Adapters   300mm	1

### Component list

No.	Part	Qty	No.	Part	Qty
①	Foot	2	⑩	Lifting Column Part	2
②	Part	1	⑪	Roller Bracket Part	2
③	Supporting Beam Part	1	⑫	Roller Bracket Part	2
④	Supporting Beam Part	1	⑬	Control Box Part	1
⑤	Roller Bracket Part	2	⑭	Power Plug Part	1
⑥	Roller Bracket Part	2			
⑦	Head Switch Part	1			

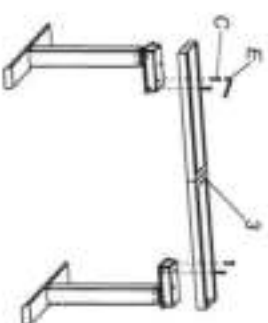


### STEP 1



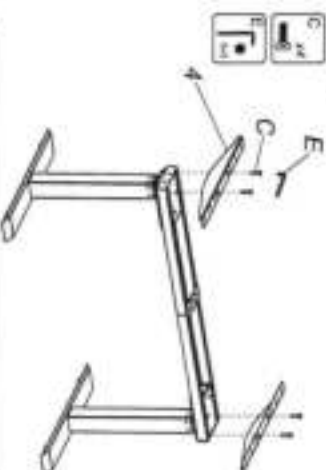
Place the head (1) on the bottom of the lifting column (2). Fix the head using screws (B) with Allen Key (A).

### STEP 2



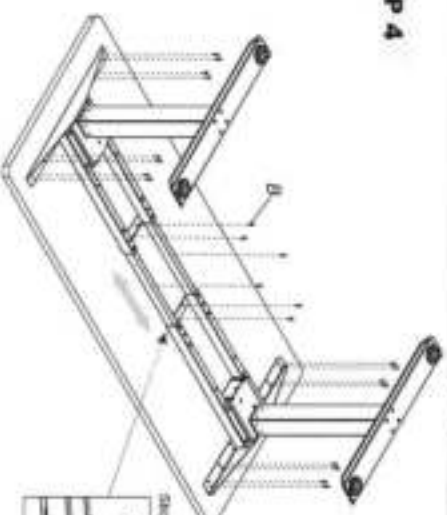
Insert the lifting columns into the ends of the supporting beams (2). Fix the lifting columns using screws (B) with the Allen Key (A).

### STEP 3



Attach the roller bracket (4) to the ends of the supporting beams using screws (C) as show with the Allen Key (F).

### STEP 4



Stick the adhesive pads (D).

