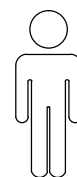
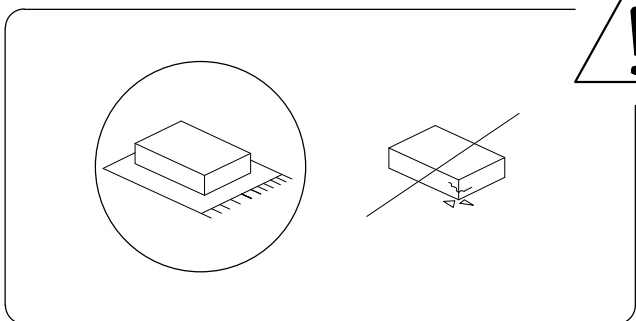
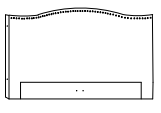

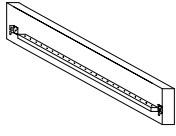
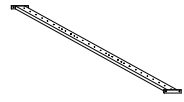

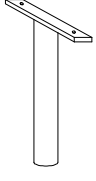
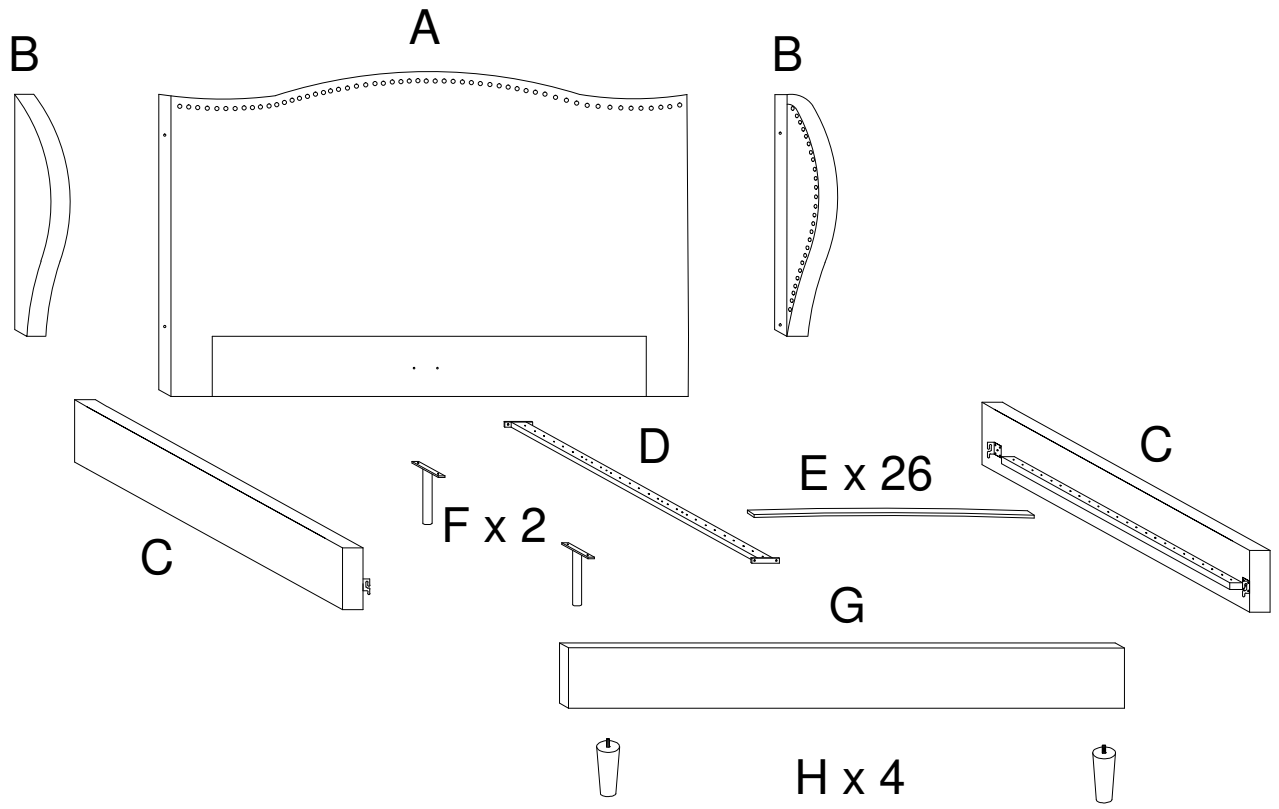





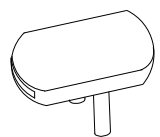
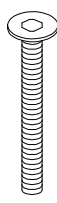
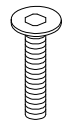
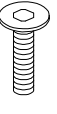
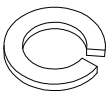
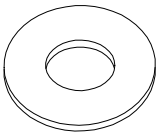
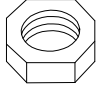
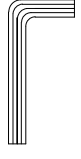

40'



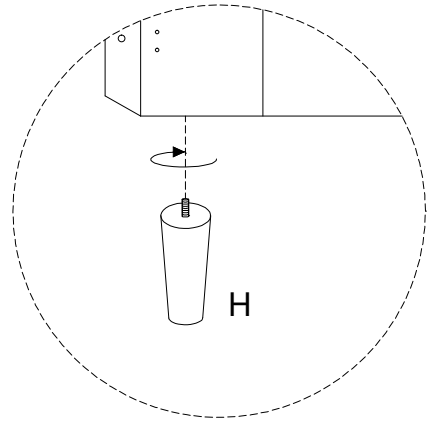
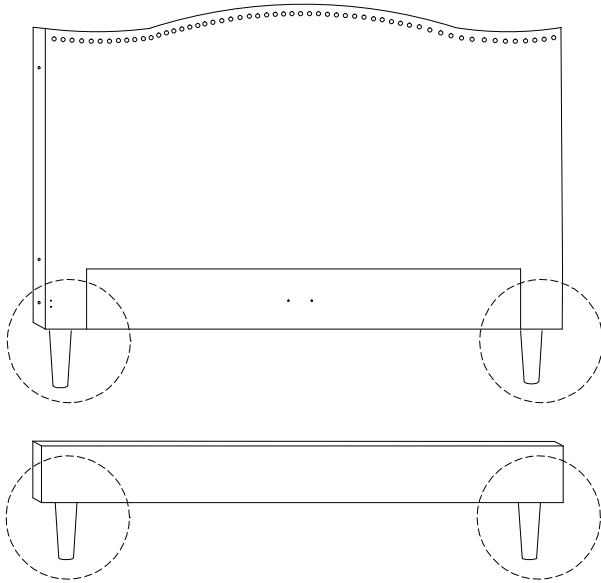
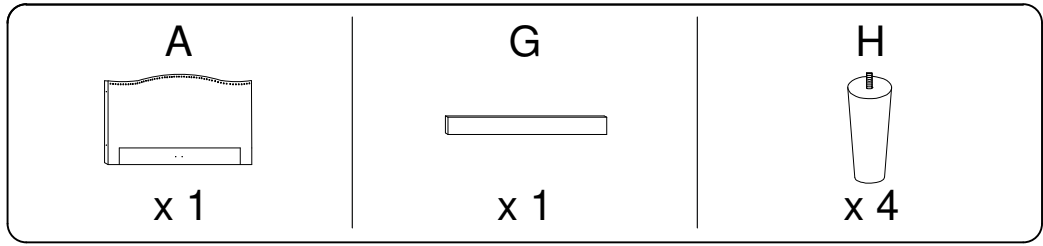
2

A	B	C	D	E	F
					
x 1	x 2	x 2	x 1	x 26	x 2

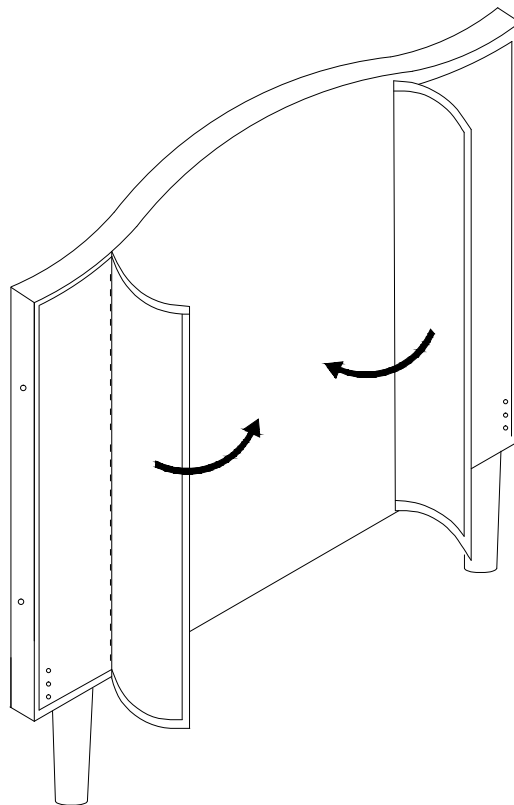


G	H	I	J	K	L
				 M8 x 60	 M8 x 40
x 1	x 4	x 26	x 13	x 4	x 8
M	N	O	P	Q	R
 M8 x 30					
x 10	x 22	x 22	x 4	x 1	x 1

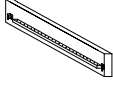

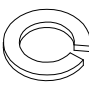
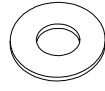

1

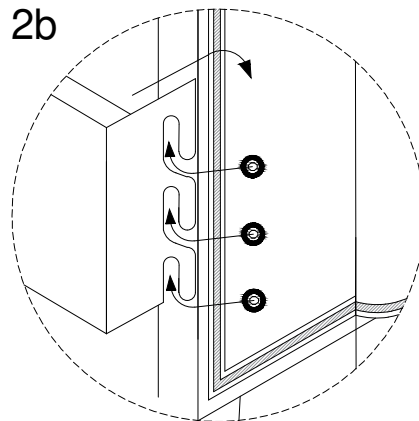
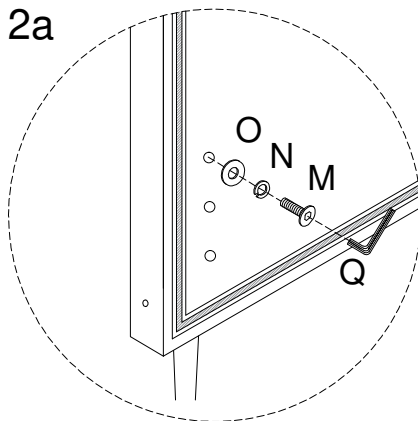
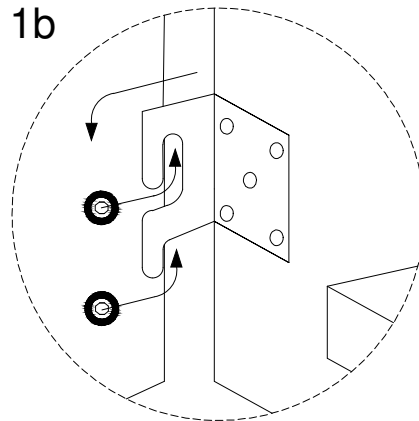
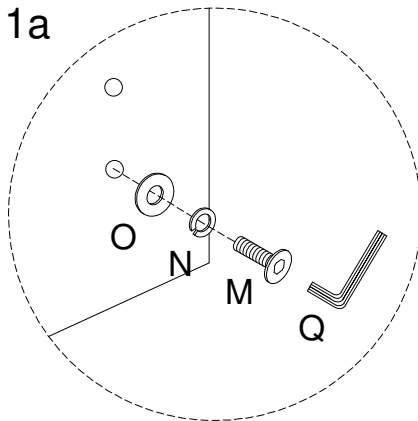
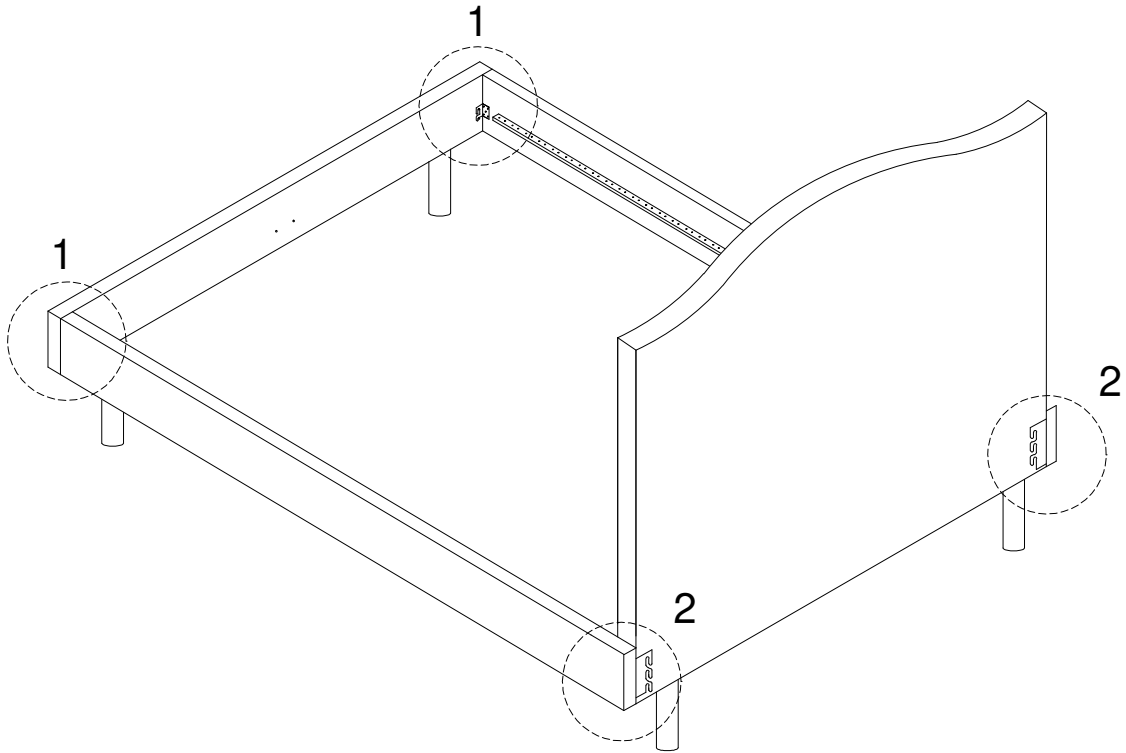


2

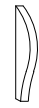

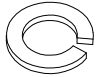

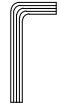


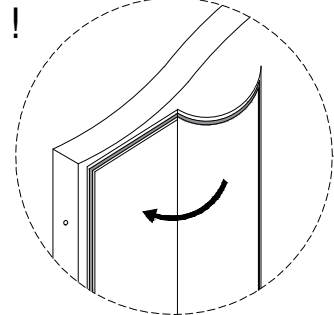
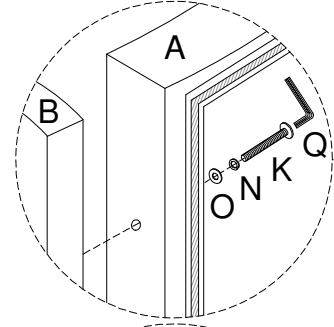
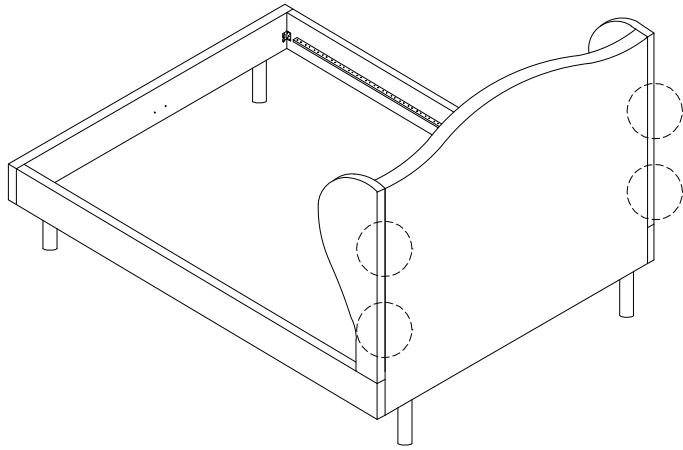
3

C  x 2	M M8 x 30 x 10 	N  x 10	O  x 10	Q  x 1
------------------------------------------------------------------------------------------------------	------------------------------------------------------------------------------------------------------------------------	-------------------------------------------------------------------------------------------------------	---------------------------------------------------------------------------------------------------------	--------------------------------------------------------------------------------------------------------







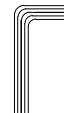



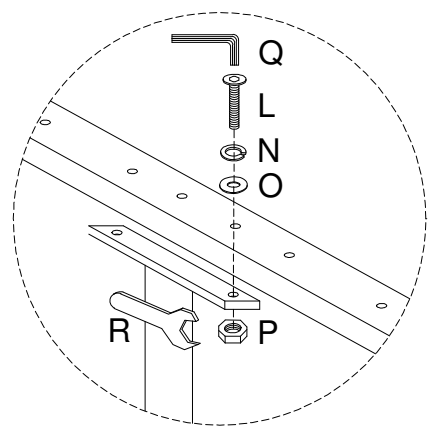
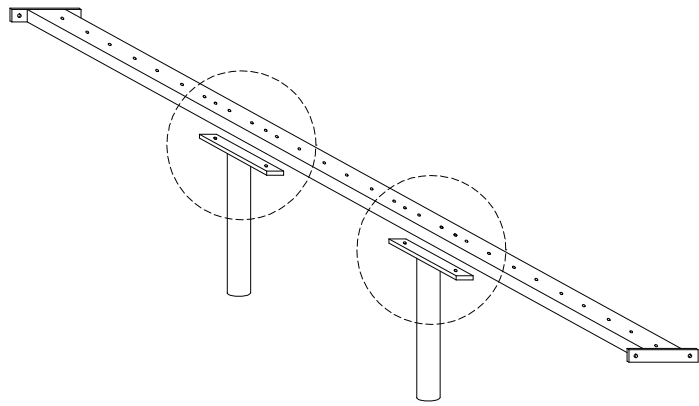
4

B  x 2	K  M8 x 60 x 4	N  x 4	O  x 4	Q  x 1
------------------------------------------------------------------------------------------------------	-----------------------------------------------------------------------------------------------------------------	------------------------------------------------------------------------------------------------------	--------------------------------------------------------------------------------------------------------	--------------------------------------------------------------------------------------------------------

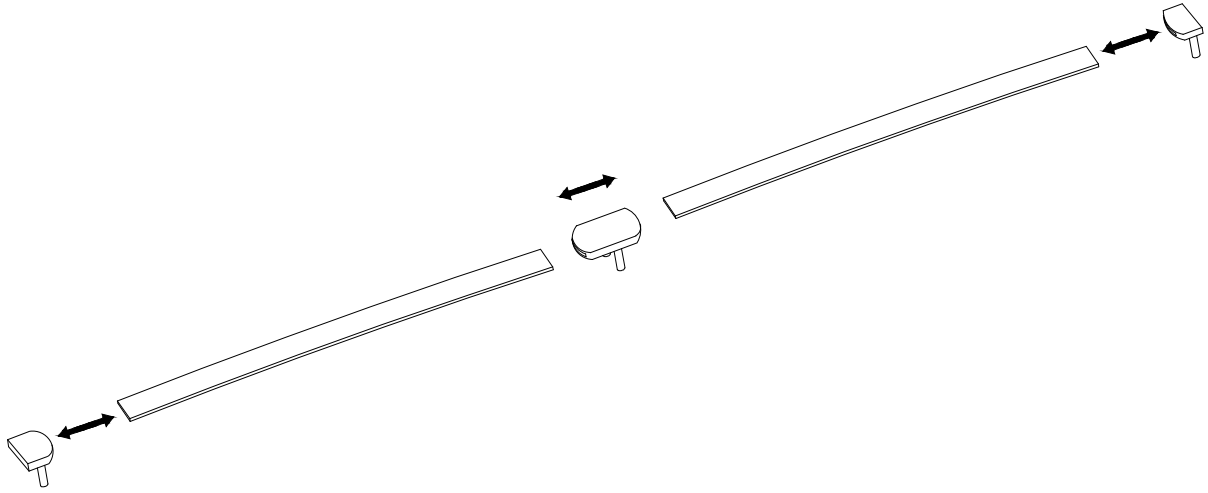
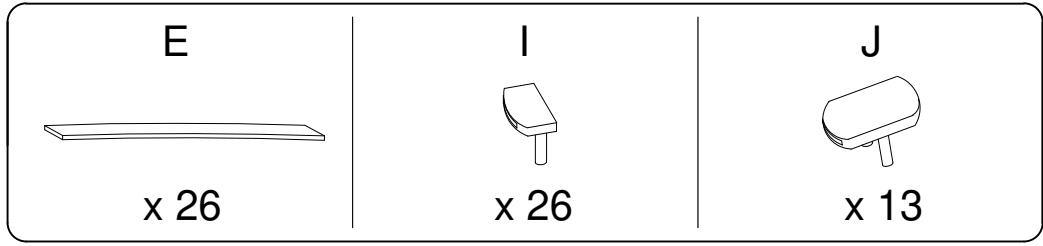


5

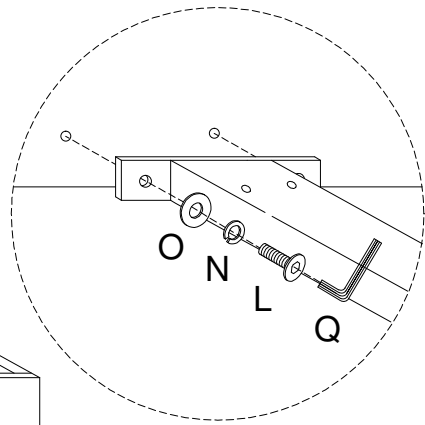
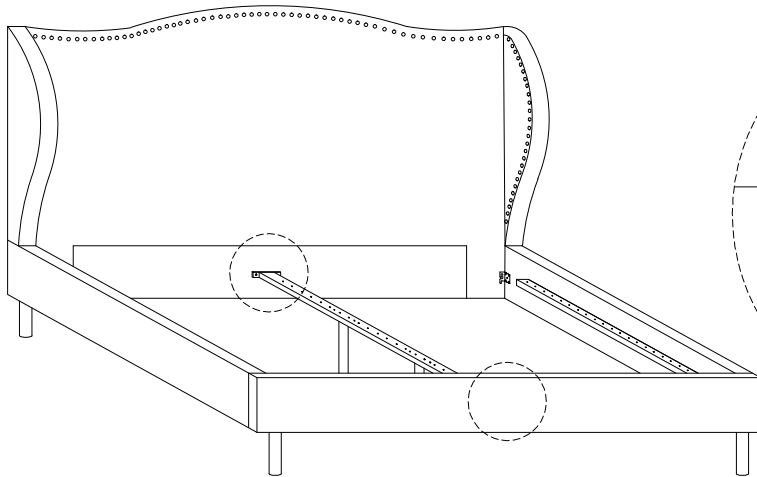
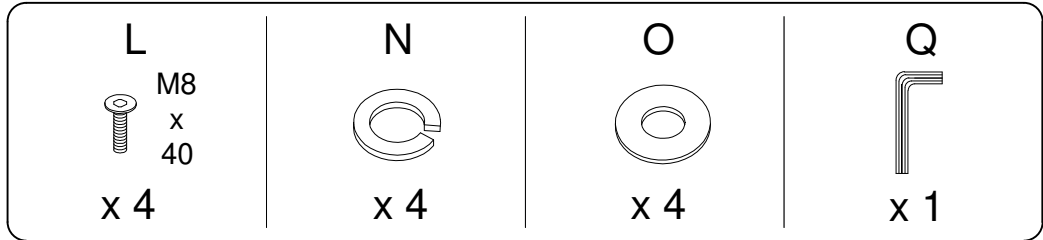
D  x 1	F  x 2	L  M8 x 40 x 4	N  x 4	O  x 4	P  x 4	Q  x 1	R  x 1
--------------------------------------------------------------------------------------------------------	--------------------------------------------------------------------------------------------------------	-------------------------------------------------------------------------------------------------------------------	--------------------------------------------------------------------------------------------------------	---------------------------------------------------------------------------------------------------------	----------------------------------------------------------------------------------------------------------	----------------------------------------------------------------------------------------------------------	----------------------------------------------------------------------------------------------------------



6



7



8

